



US00D973832S

(12) **United States Design Patent**
Huang et al.

(10) **Patent No.:** **US D973,832 S**

(45) **Date of Patent:** **** Dec. 27, 2022**

(54) **SPA CONTROL UNIT**

(71) Applicant: **Intex Marketing Ltd.**, Tortola (VG)

(72) Inventors: **Zhi Xiong Huang**, Fujian (CN); **Ai Ming Tan**, Fujian (CN); **Yaw Yuan Hsu**, Fujian (CN); **Andrew Reed**, Trumbull, CT (US); **Scott Herman Smith**, Hartford, CT (US); **James Sener**, Glastonbury, CT (US)

(73) Assignee: **Intex Industries Xiamen Co. Ltd.**, Fujian (CN)

(**) Term: **15 Years**

(21) Appl. No.: **29/675,089**

(22) Filed: **Dec. 28, 2018**

(30) **Foreign Application Priority Data**

Jun. 29, 2018 (CN) 201830345467.9
Dec. 25, 2018 (CN) 201830754149.8

(51) **LOC (13) Cl.** **23-01**

(52) **U.S. Cl.**
USPC **D23/207**

(58) **Field of Classification Search**
USPC D23/205, 206, 207, 209, 233, 235, 365, D23/366
CPC B01D 2201/29; B01D 2201/30; B01D 2201/301; B01D 2201/302; B01D 2201/306; B01D 2201/309; B01D 35/30
See application file for complete search history.

(56) **References Cited**

U.S. PATENT DOCUMENTS

D453,168 S * 1/2002 Chou D15/7
D465,018 S * 10/2002 Gustafsson D23/365

D486,896 S * 2/2004 Long D23/318
D572,273 S * 7/2008 Carpenter D15/7
D678,339 S * 3/2013 Hughes D15/7
D698,369 S * 1/2014 Meza E04H 4/129
D15/7
D699,264 S * 2/2014 Sofussen D15/7
D712,933 S * 9/2014 DeOreo D15/7
D763,407 S * 8/2016 Shin D23/207
9,468,582 B2 10/2016 Lin et al.
D826,284 S * 8/2018 Mead D15/7
D843,548 S * 3/2019 Hsu D23/207
D844,669 S * 4/2019 Sinico D15/7
2015/0020306 A1* 1/2015 Lin A61H 33/028
4/585
2017/0216138 A1 8/2017 Liu
2020/0032536 A1* 1/2020 Corn E04H 4/129

* cited by examiner

Primary Examiner — Calvin E Vansant

(74) *Attorney, Agent, or Firm* — Faegre Drinker Biddle & Reath LLP

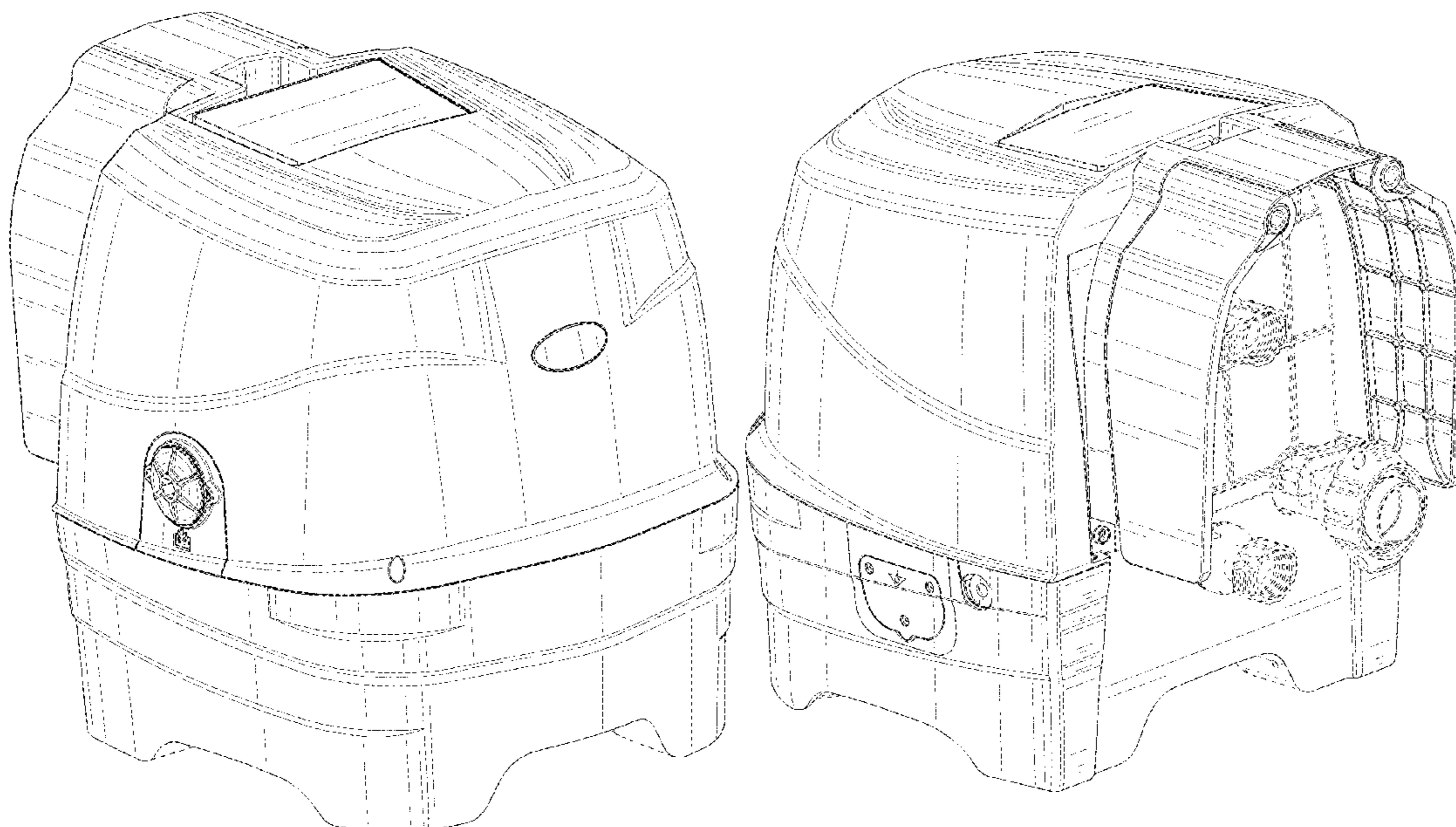
(57) **CLAIM**

The ornamental design for a spa control unit, as shown and described.

DESCRIPTION

FIG. 1 is a front perspective view of a spa control unit showing our new design;
FIG. 2 is a rear perspective view thereof;
FIG. 3 is a front elevational view thereof;
FIG. 4 is a rear elevational view thereof;
FIG. 5 is a left side elevational view thereof;
FIG. 6 is a right side elevational view thereof;
FIG. 7 is a top plan view thereof; and,
FIG. 8 is a bottom plan view thereof.
The broken lines in the drawings depict portions of the spa control unit that form no part of the claimed design.

1 Claim, 8 Drawing Sheets



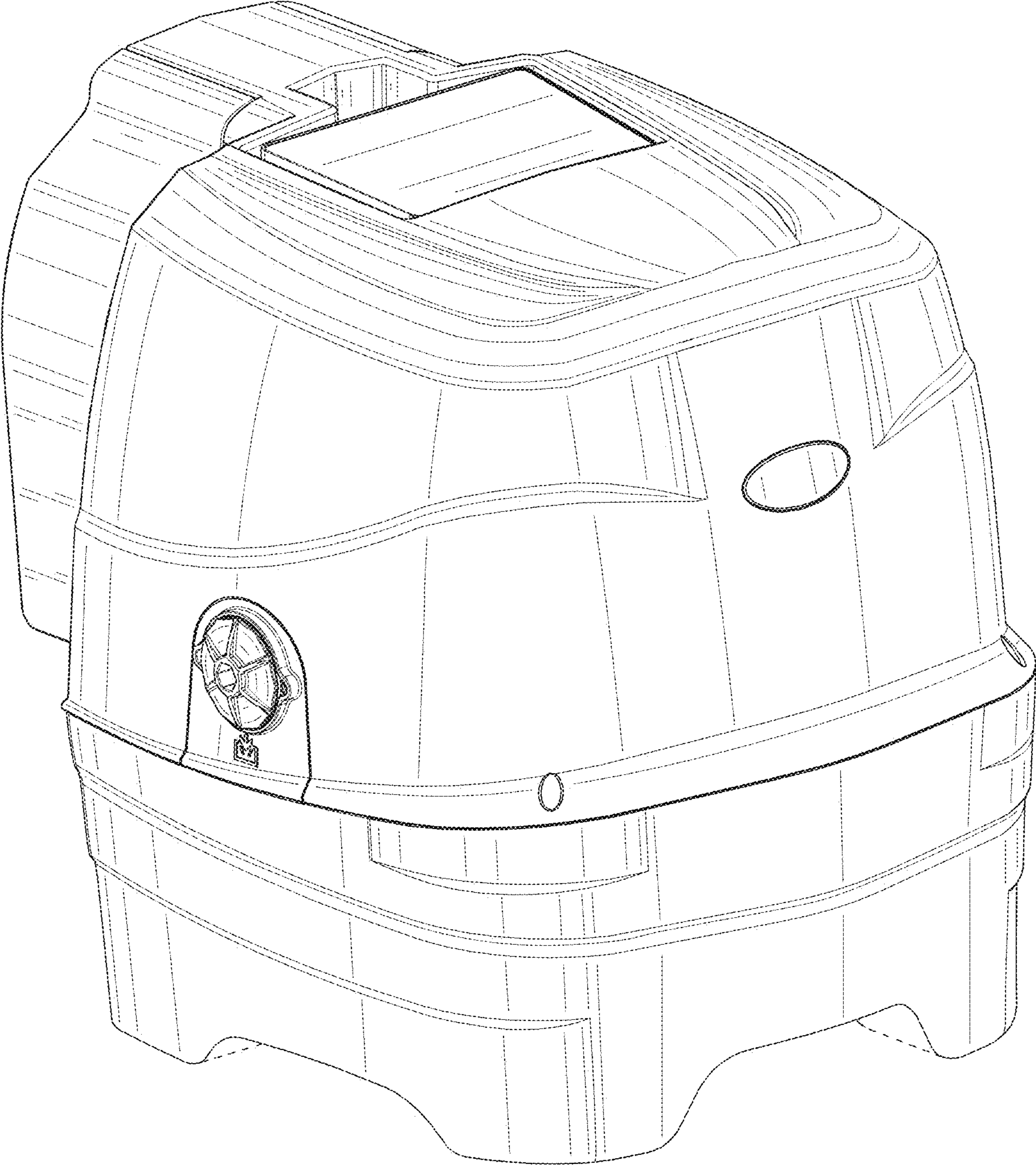


FIG. 1

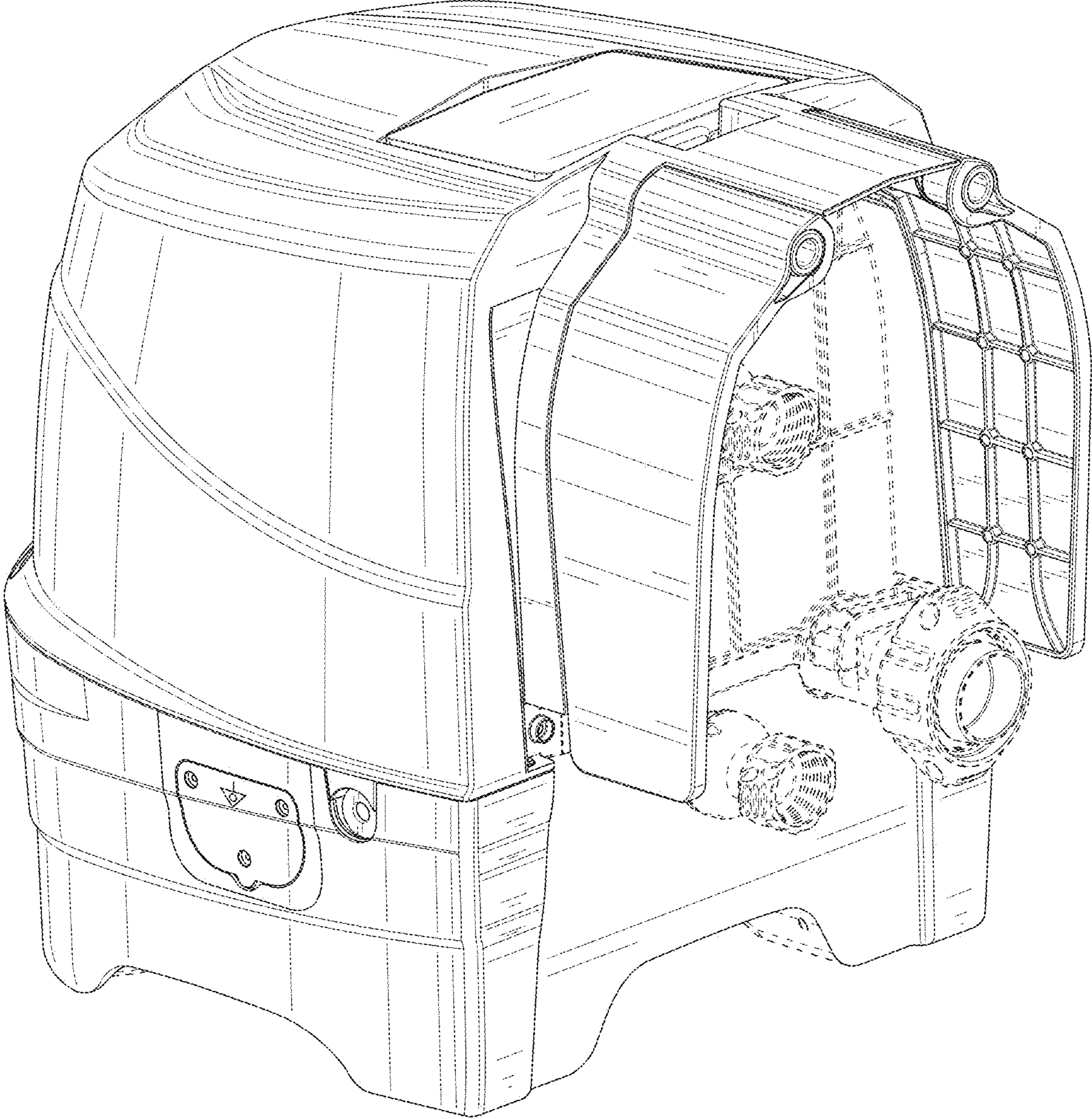


FIG. 2

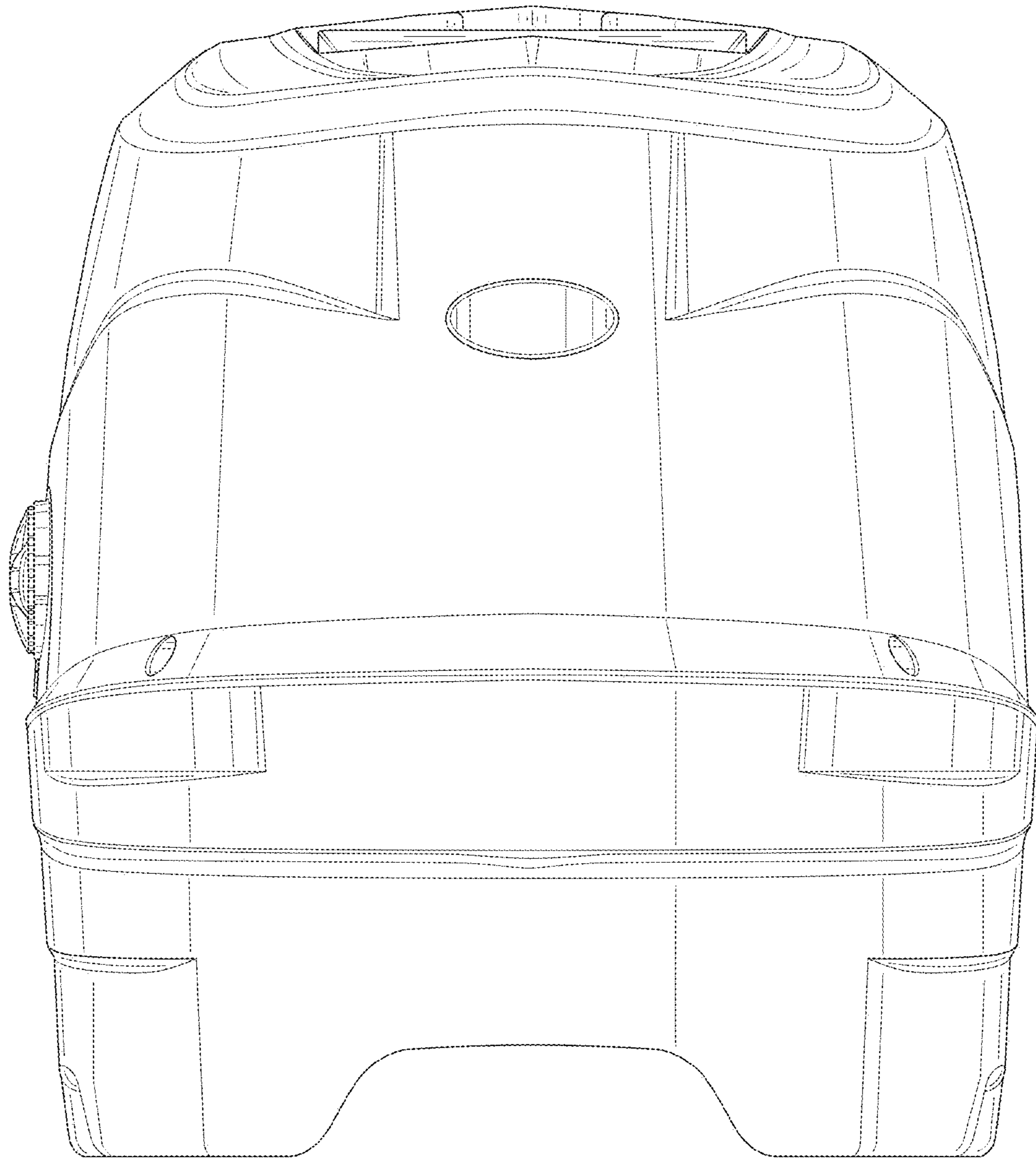


FIG. 3

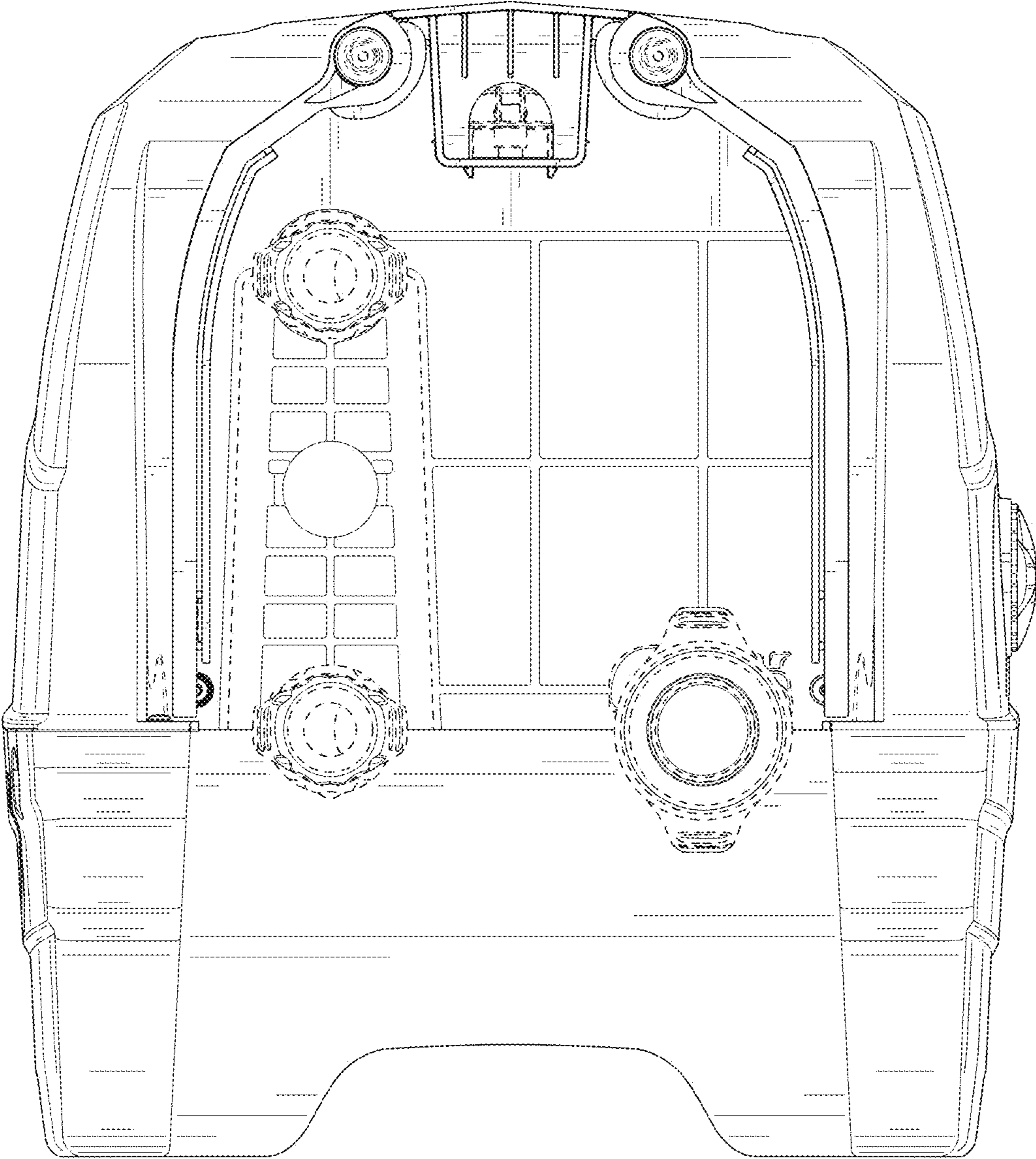


FIG. 4

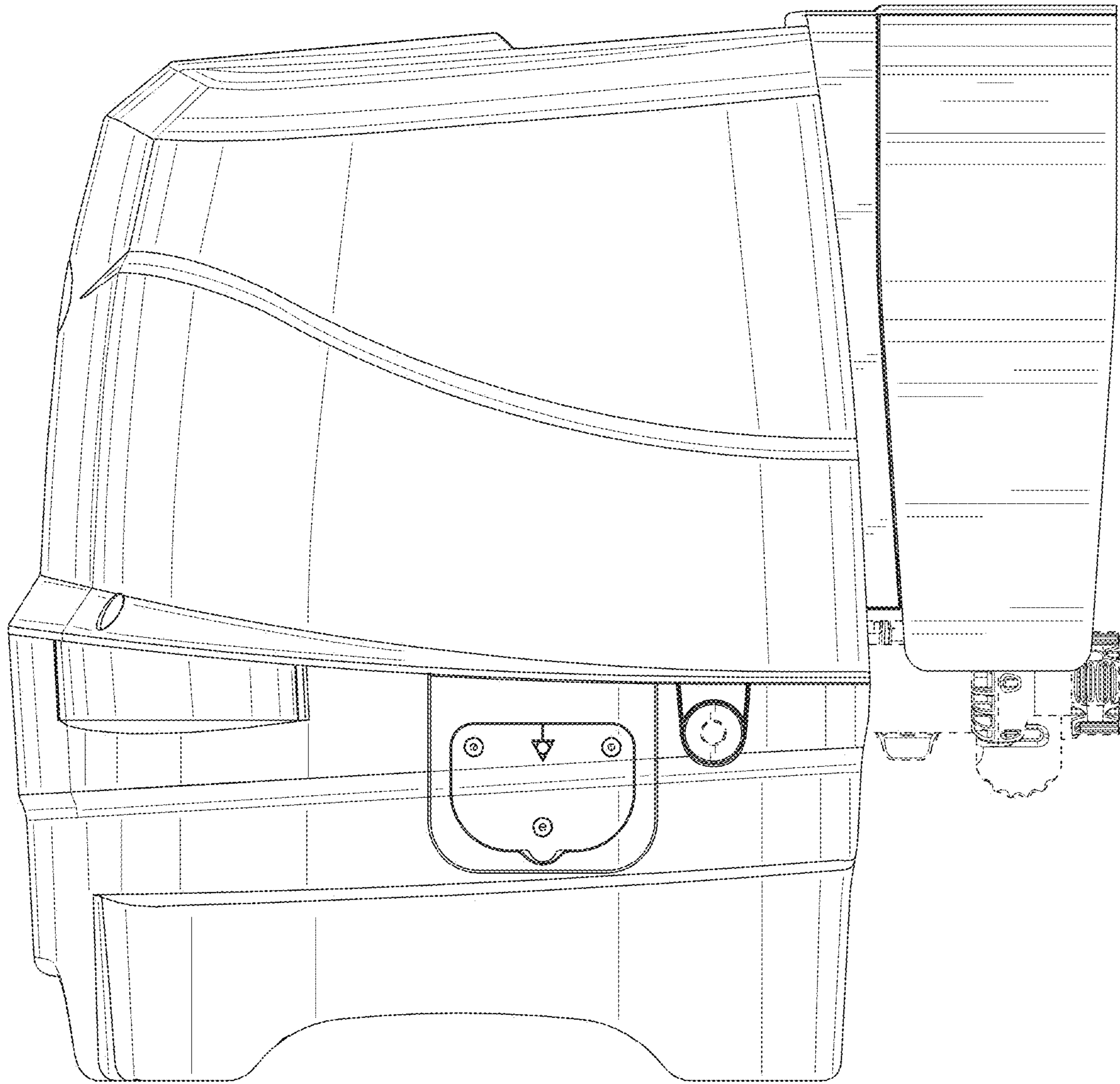


FIG. 5

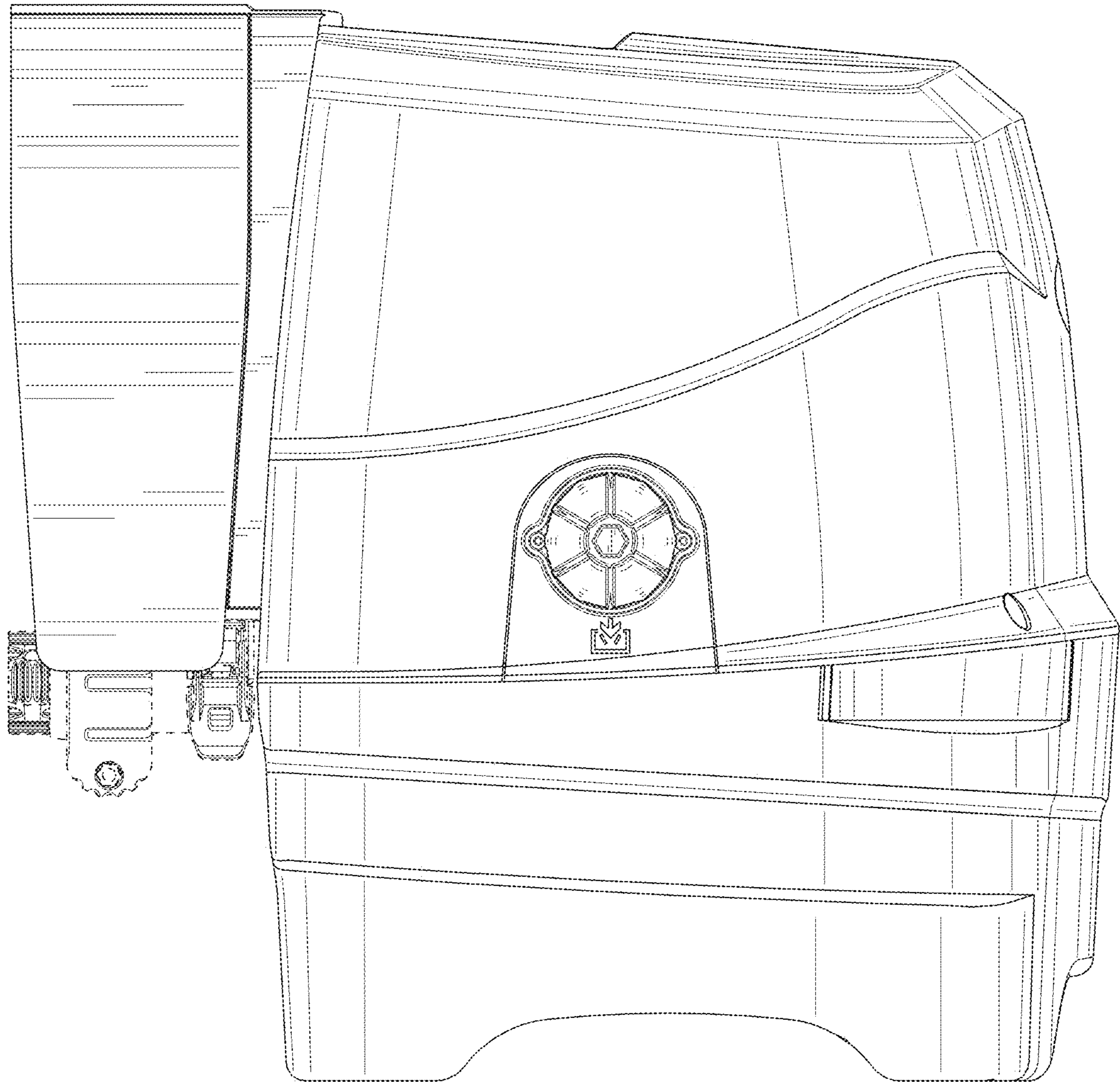


FIG. 6

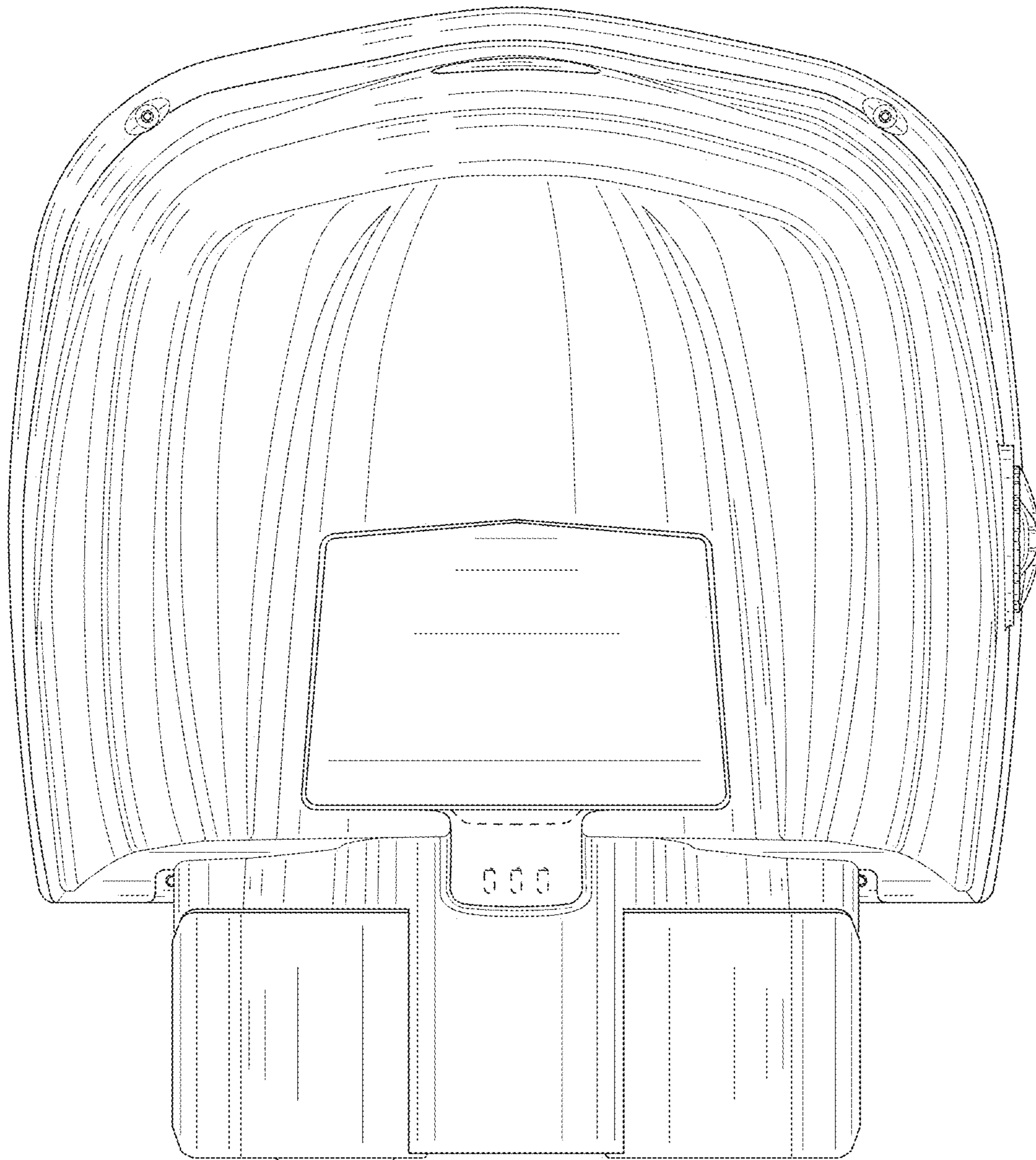


FIG. 7

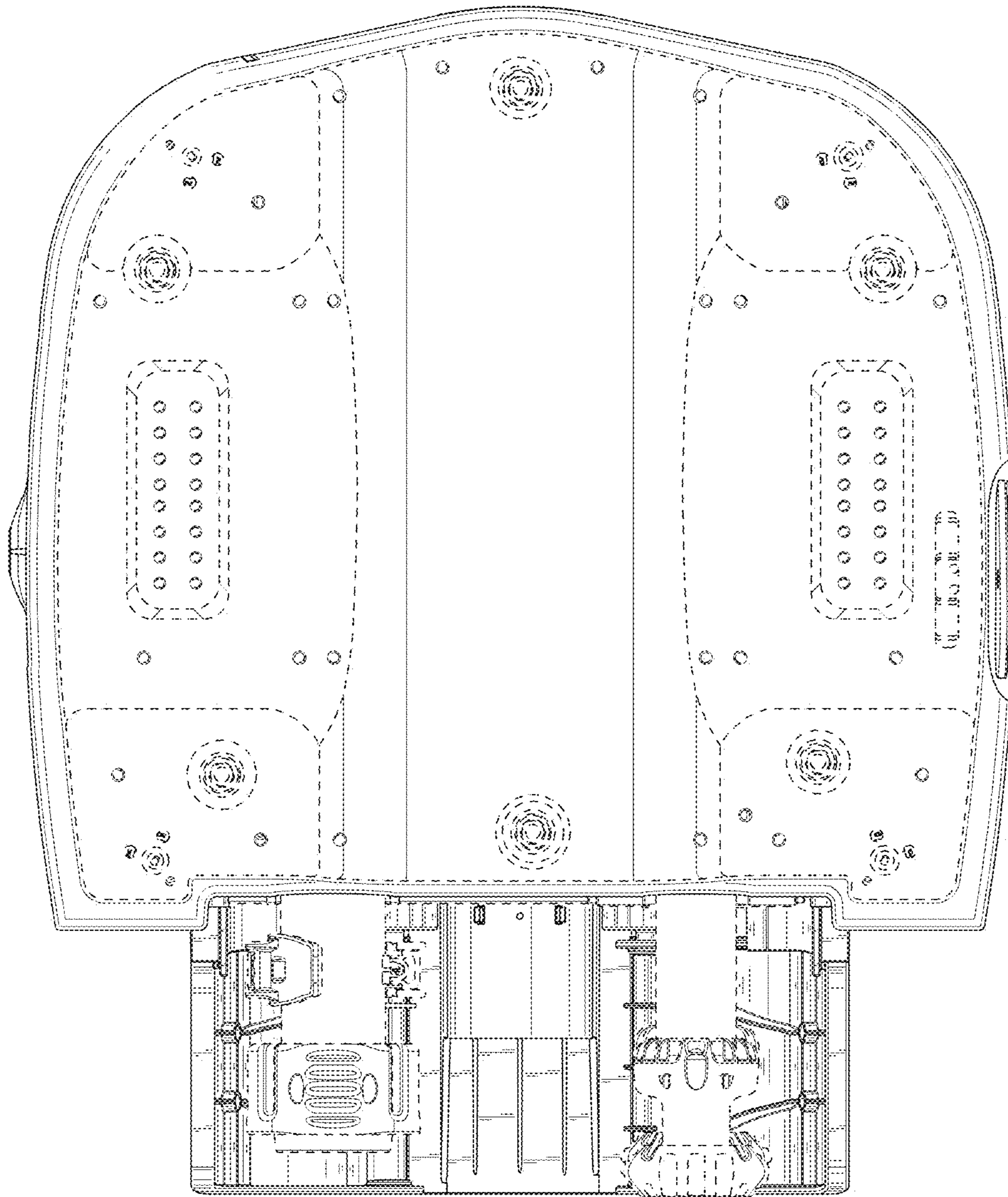


FIG. 8