



US00D973829S

(12) **United States Design Patent**
Horne

(10) **Patent No.:** **US D973,829 S**

(45) **Date of Patent:** **** Dec. 27, 2022**

(54) **BUG ZAPPER**

D931,973 S * 9/2021 Lu D22/123
D947,313 S * 3/2022 Hu D22/123
D960,283 S * 8/2022 Liao D22/123

(71) Applicant: **Alliance Sports Group, L.P.**, Roanoke, TX (US)

(72) Inventor: **Gregory Lee Horne**, Euless, TX (US)

(73) Assignee: **Alliance Sports Group, L.P.**, Roanoke, TX (US)

(**) Term: **15 Years**

(21) Appl. No.: **29/771,336**

(22) Filed: **Feb. 22, 2021**

(51) **LOC (13) Cl.** **22-06**

(52) **U.S. Cl.**
USPC **D22/123**

(58) **Field of Classification Search**
USPC D22/119–120, 122–123; 43/107,
43/112–113, 121, 132.1; D26/37, 41;
D23/364, 366–368
CPC A01M 1/04; A01M 1/08; A01M 1/10;
A01M 1/106; A01M 1/223; A01M
2200/012

See application file for complete search history.

(56) **References Cited**

U.S. PATENT DOCUMENTS

D569,475 S * 5/2008 Szymanski D26/41
D787,011 S * 5/2017 Zhang D22/123
D900,957 S * 11/2020 Du D22/123
D917,009 S * 4/2021 Wu D22/123
D919,039 S * 5/2021 Luo D22/123
D928,274 S * 8/2021 Shang D22/123

OTHER PUBLICATIONS

https://www.amazon.com/Bug-Zapper-Electric-Mosquito-Backyard/dp/B0B67D4SLD/ref=sr_1_208?crd=3PM43IGHZ5DXU&keywords=bug+zapper&qid=1666121045&qu=eyJxc2MiOil3Lj15liwicXNhjoiNi45MilslnFzcCI6ljYuNzMifQ%3D%3D&sprefix=bug+zapper%2Caps%2C97&sr=8-208 (Date unknown).*

* cited by examiner

Primary Examiner — Catherine R Oliver-Garcia

(74) *Attorney, Agent, or Firm* — Thorpe North & Western, LLP; Jed H. Hansen

(57) **CLAIM**

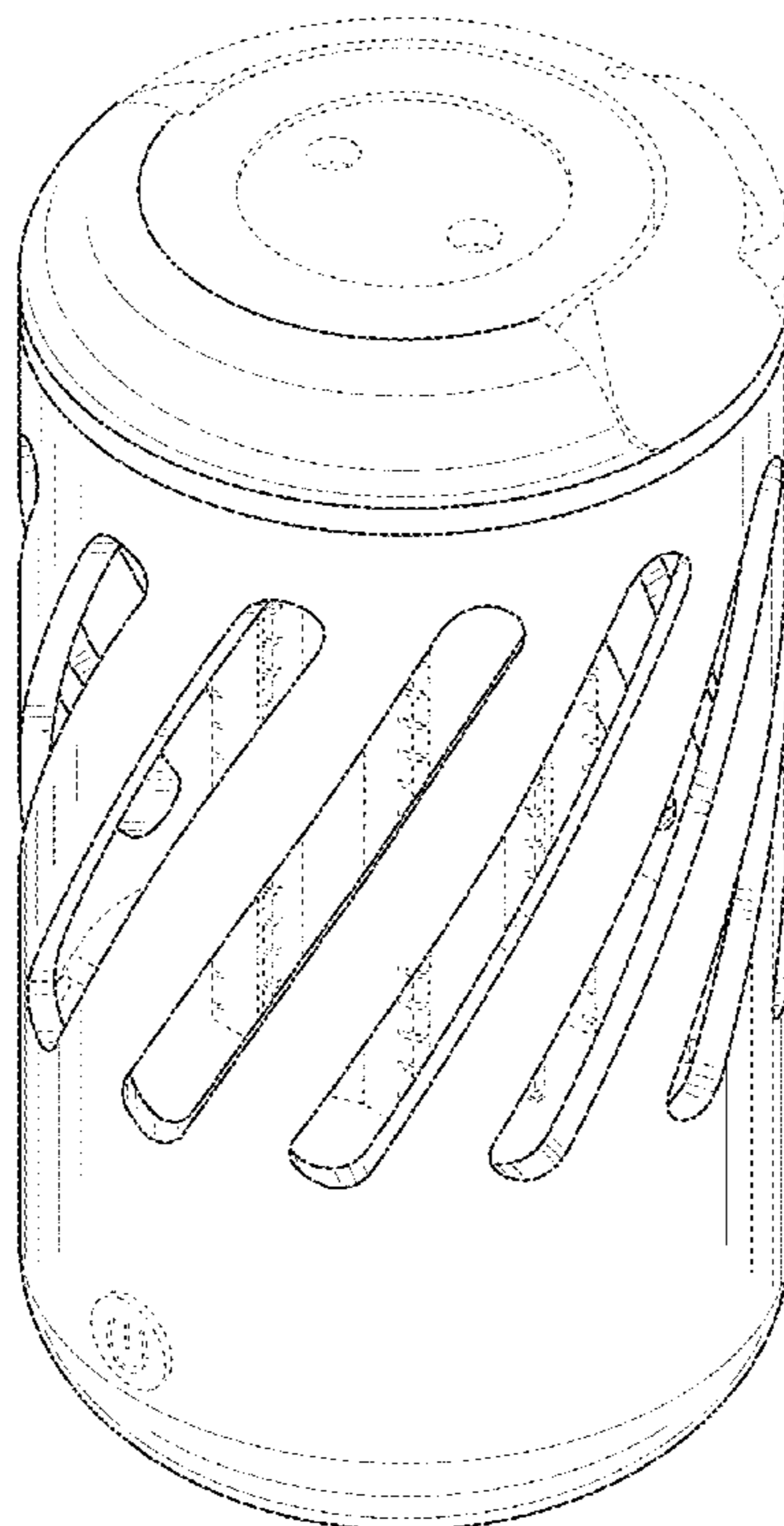
The ornamental design for a bug zapper, as shown and described.

DESCRIPTION

FIG. 1 is an elevated, perspective view of the bug zapper in accordance with my invention;
FIG. 2 is a front view of the bug zapper shown in FIG. 1;
FIG. 3 is a back view of the bug zapper shown in FIG. 2;
FIG. 4 is a side view of FIG. 2;
FIG. 5 is an opposite view of FIG. 4;
FIG. 6 is a top view of FIG. 2; and,
FIG. 7 is a bottom view of FIG. 2.

The broken lines shown represent portions of the article not claimed and form no part of the claimed design.

1 Claim, 6 Drawing Sheets



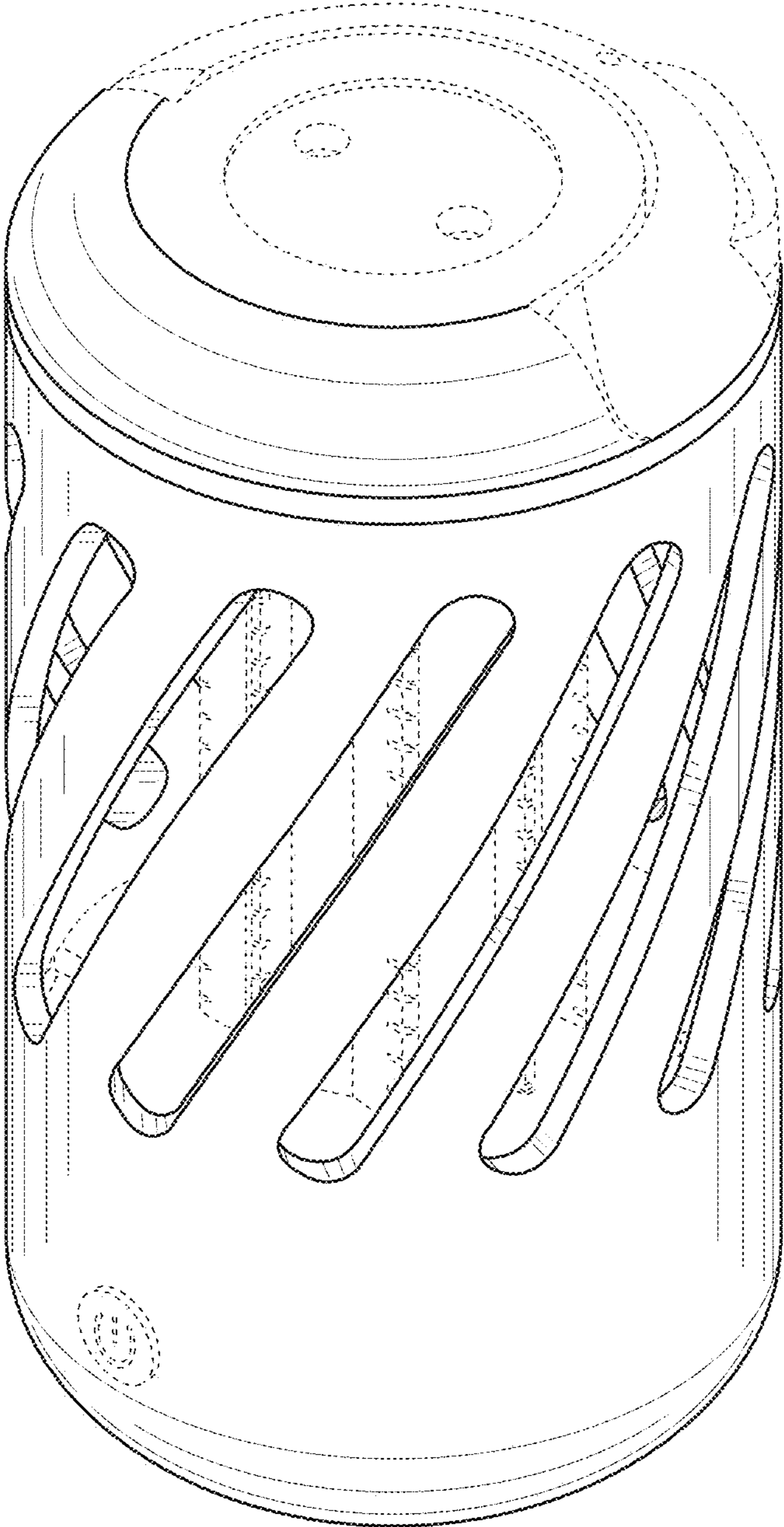


FIG. 1

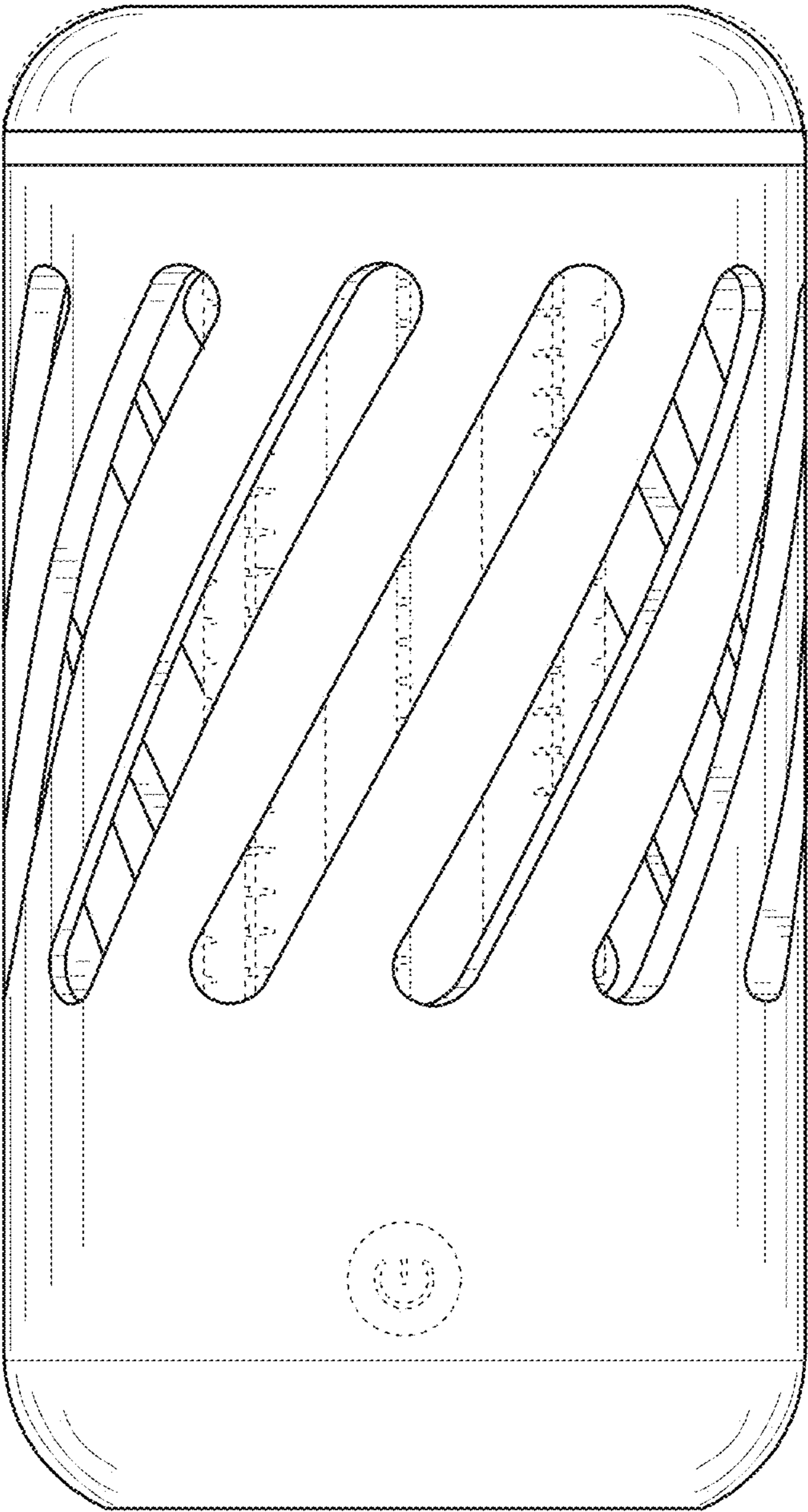


FIG. 2

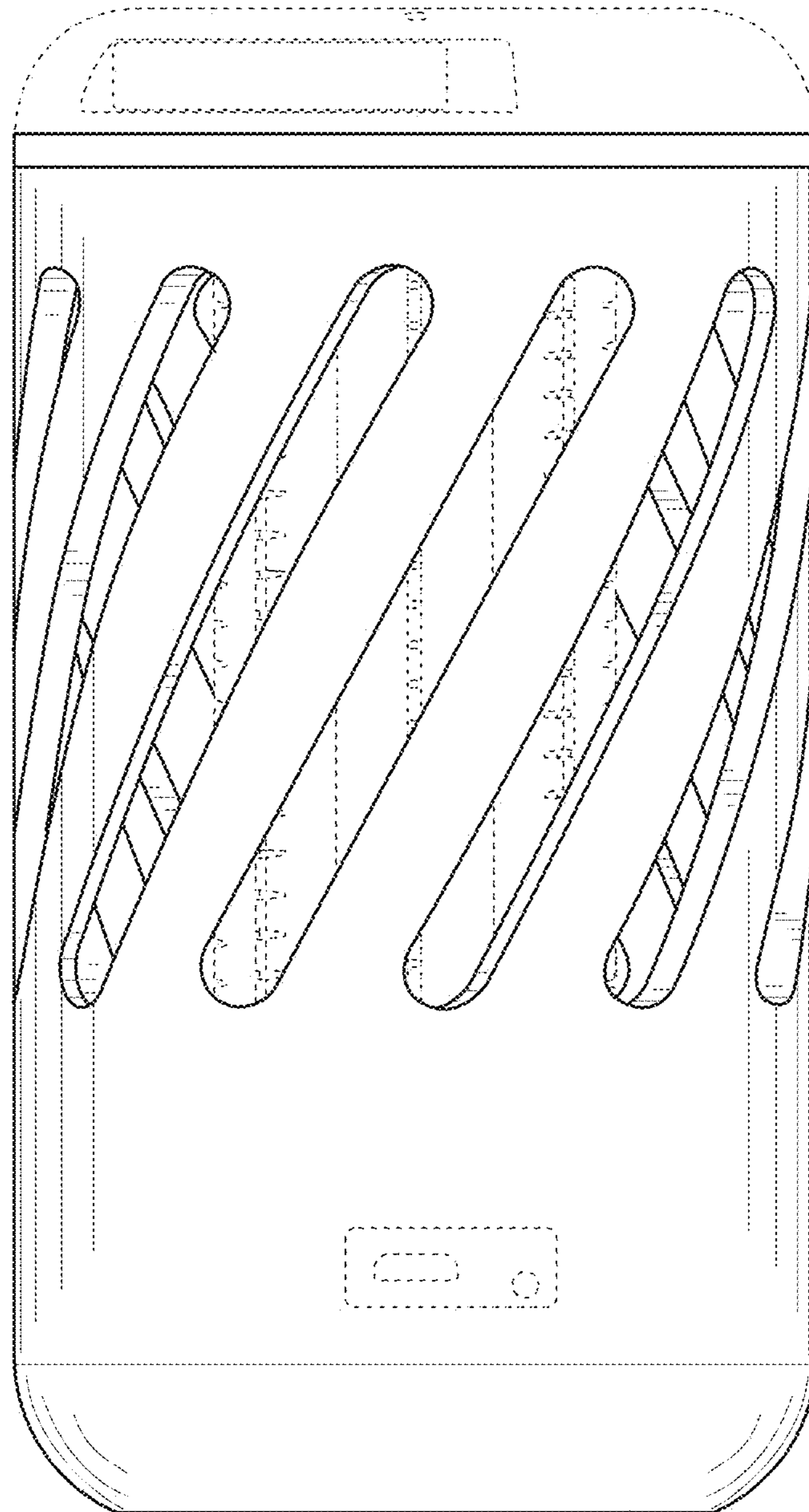


FIG. 3

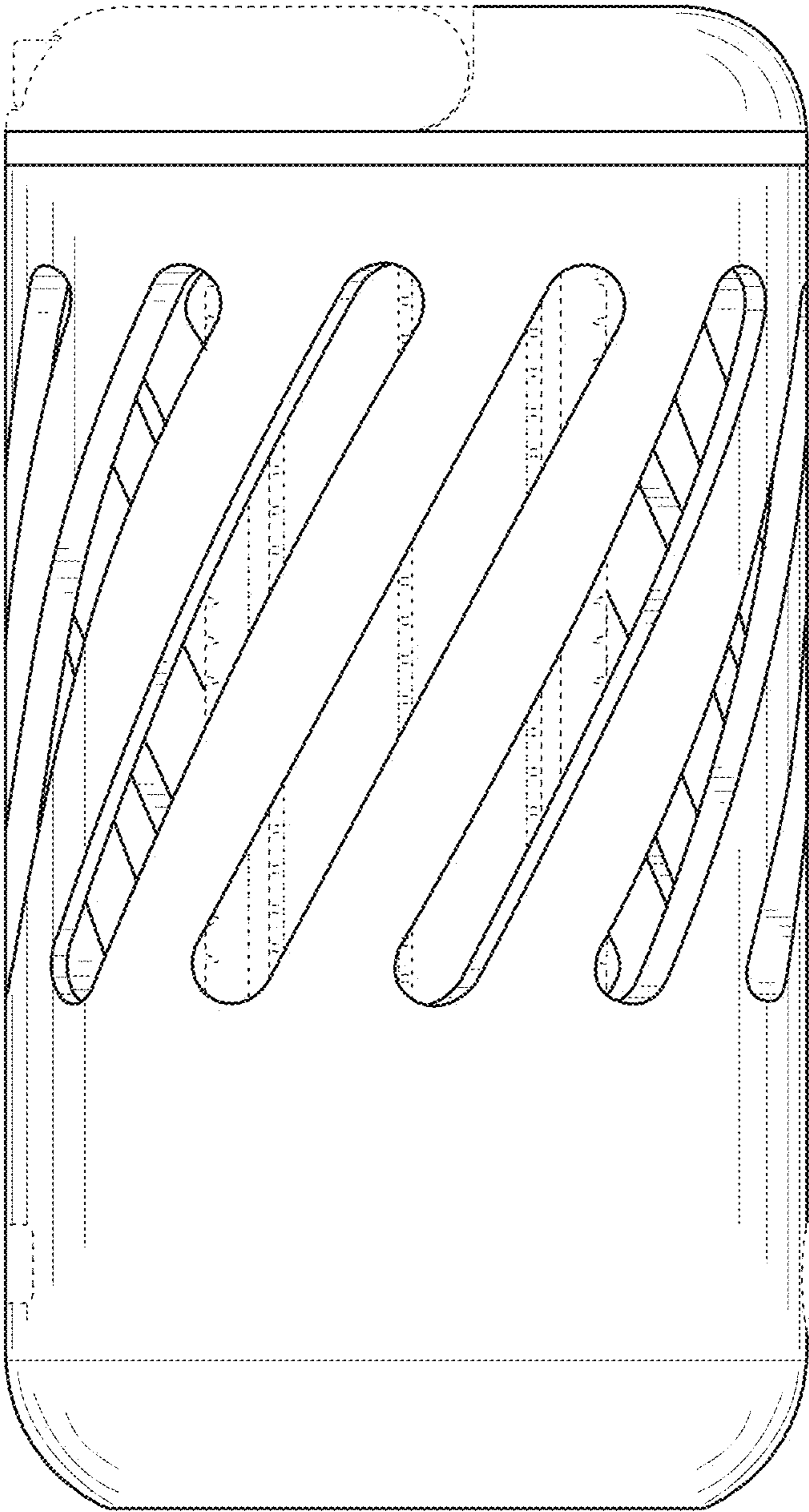


FIG. 4

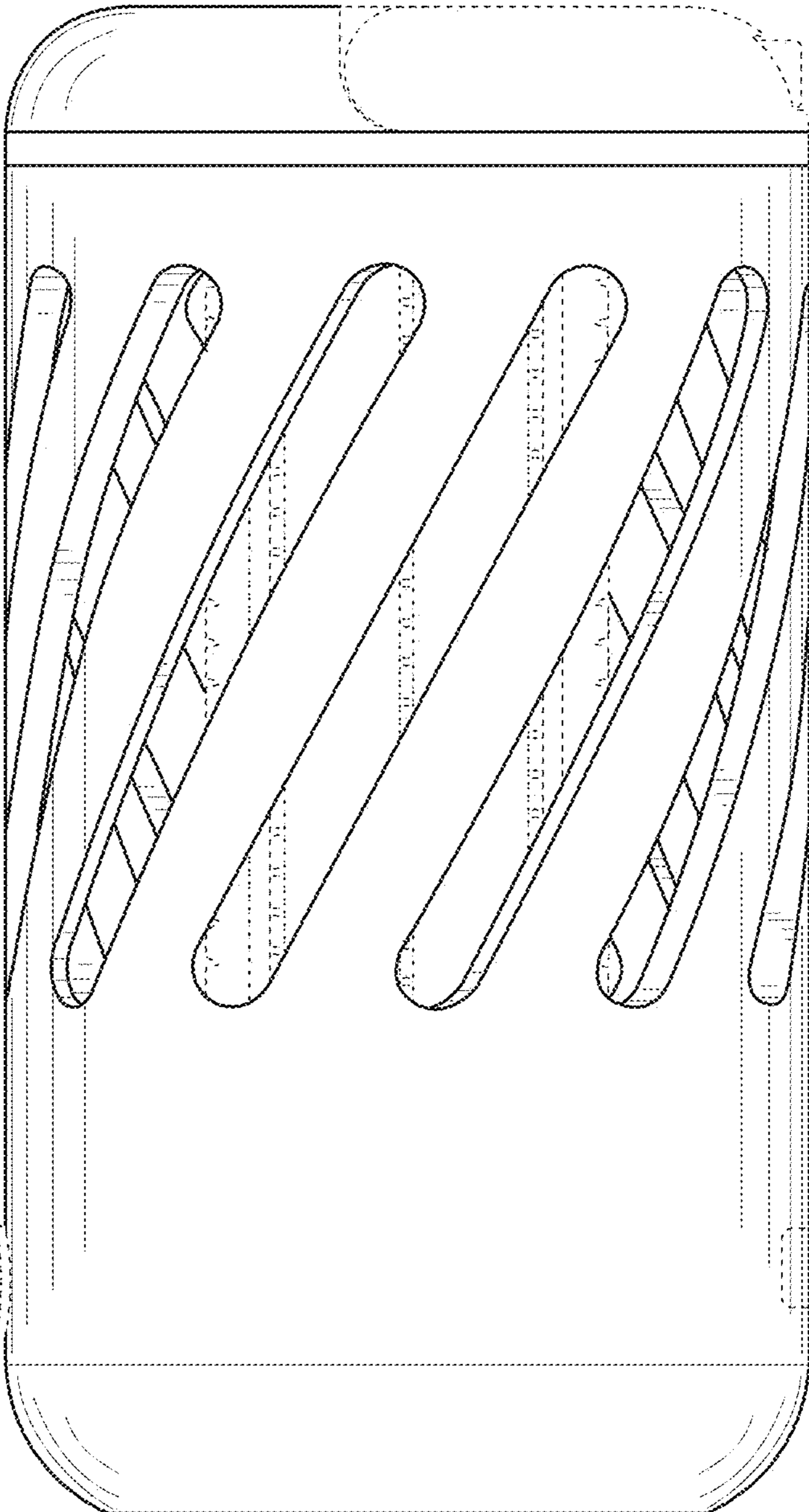


FIG. 5

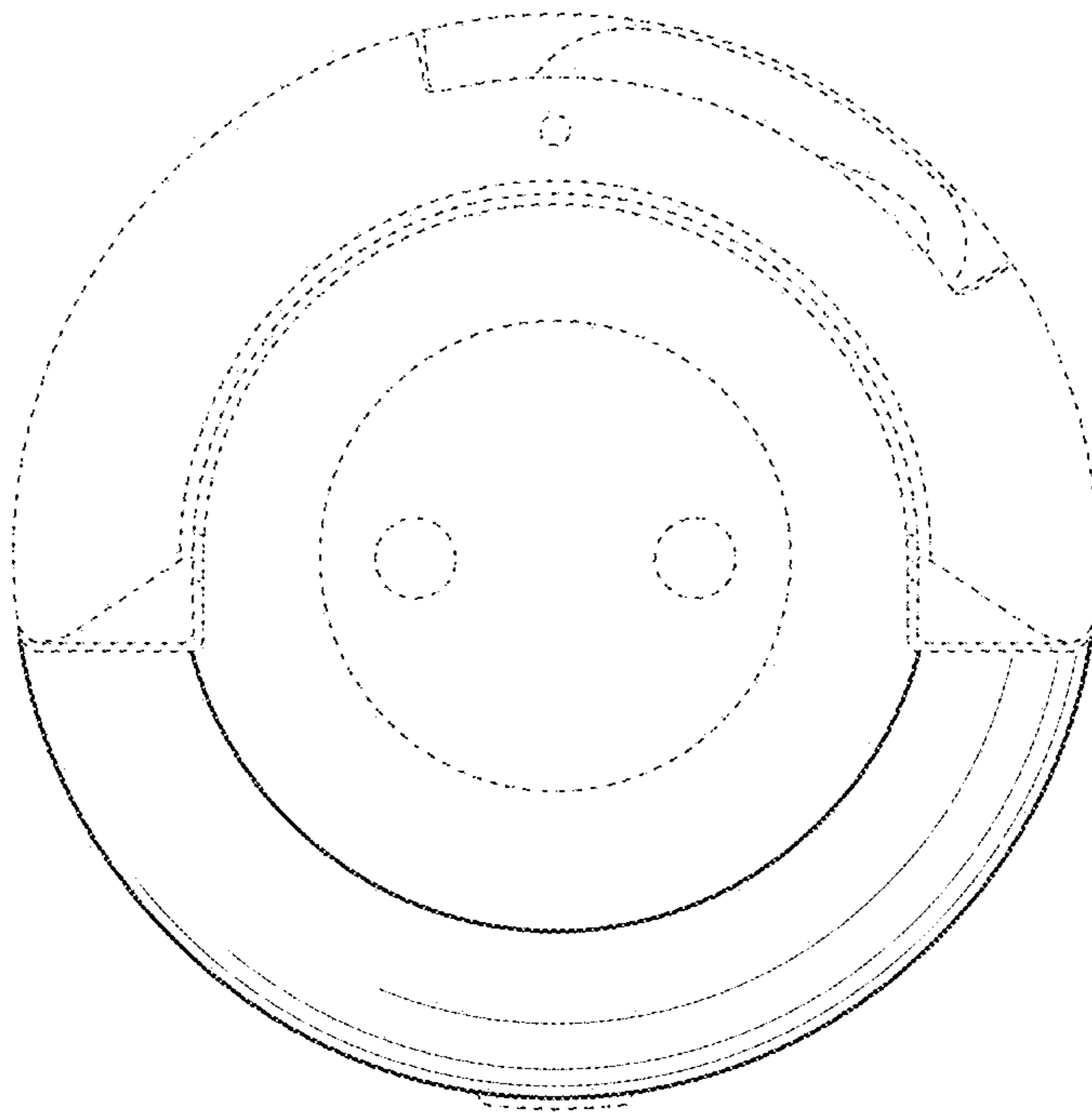


FIG. 6

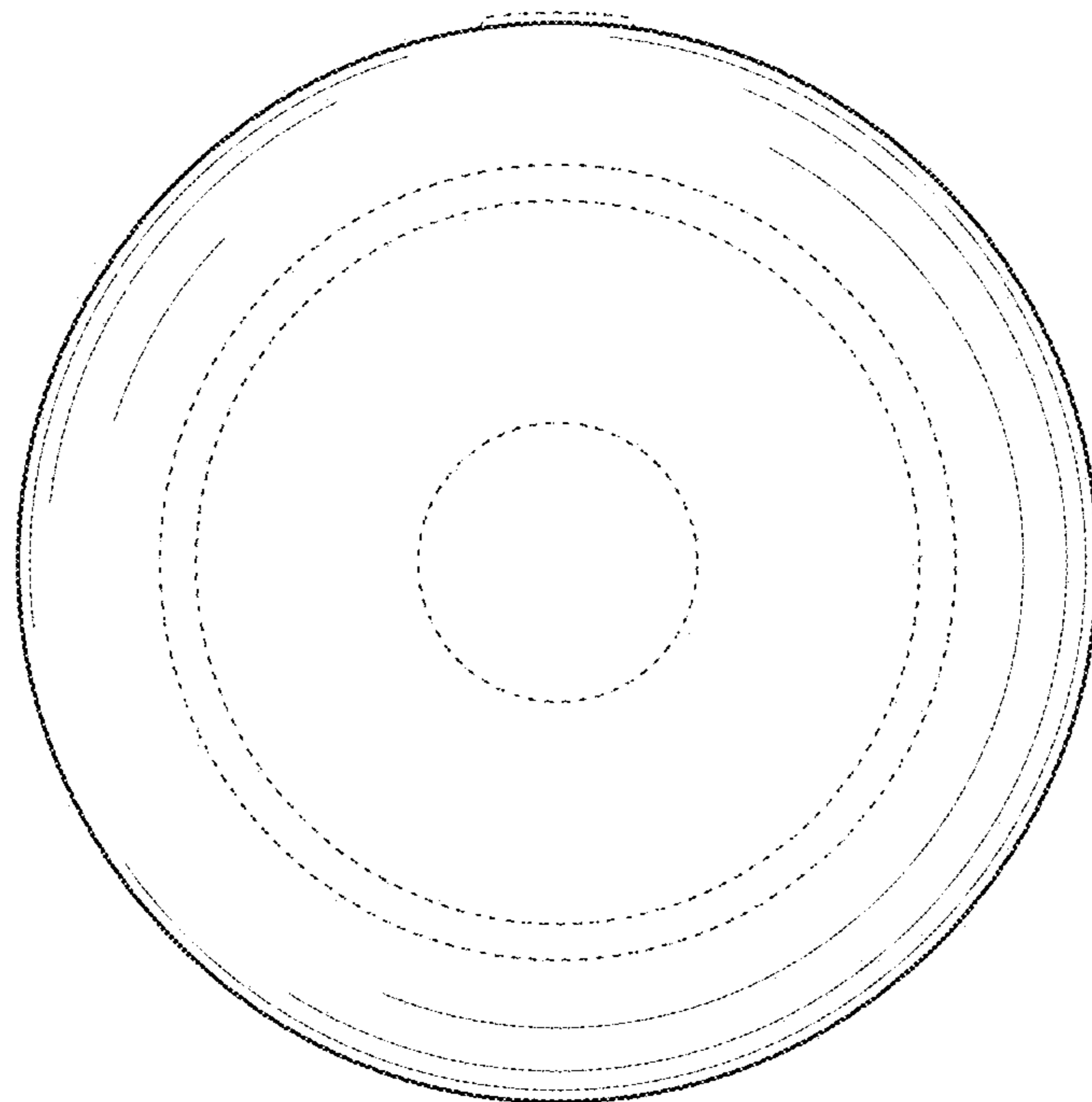


FIG. 7

UNITED STATES PATENT AND TRADEMARK OFFICE
CERTIFICATE OF CORRECTION

PATENT NO. : D973,829 S
APPLICATION NO. : 29/771336
DATED : December 27, 2022
INVENTOR(S) : McCune et al.

Page 1 of 1

It is certified that error appears in the above-identified patent and that said Letters Patent is hereby corrected as shown below:

On the Title Page

Item (12) delete "Horne" and insert -- McCune et al. --

Item (72) Inventor(s) should read:
Clark McCune, Roanoke, TX (US)
Gregory Lee Horne, Euless, TX (US)

Signed and Sealed this
Twenty-seventh Day of August, 2024
Katherine Kelly Vidal

Katherine Kelly Vidal
Director of the United States Patent and Trademark Office