



US00D973828S

(12) **United States Design Patent**
Johnson

(10) **Patent No.:** **US D973,828 S**

(45) **Date of Patent:** **** Dec. 27, 2022**

(54) **DART TARGET**

(71) Applicant: **Brian L. Johnson**, Hayward, WI (US)

(72) Inventor: **Brian L. Johnson**, Hayward, WI (US)

(**) Term: **15 Years**

(21) Appl. No.: **29/719,284**

(22) Filed: **Jan. 2, 2020**

Related U.S. Application Data

(62) Division of application No. 29/631,065, filed on Dec. 27, 2017, now Pat. No. Des. 876,577.

(51) **LOC (13) Cl.** **22-04**

(52) **U.S. Cl.**
USPC **D22/113**

(58) **Field of Classification Search**
USPC D22/113, 199; D21/302, 790
CPC .. F41J 3/00; F41J 3/0019; F41J 3/0033; F41J
1/00; F41J 1/10
See application file for complete search history.

(56) **References Cited**

U.S. PATENT DOCUMENTS

D393,661 S * 4/1998 Meyer D21/302
5,829,753 A * 11/1998 Wisner F41J 1/10
273/407

D747,773 S * 1/2016 Dee D21/302
2002/0113372 A1 * 8/2002 Love F41J 1/00
273/408
2013/0234395 A1 * 9/2013 Mickelson F41J 1/10
273/407
2016/0298942 A1 * 10/2016 Skinner F41J 1/10
2017/0184377 A1 * 6/2017 Carrillo Fuentesvilla
F41J 3/0004
2019/0045774 A1 * 2/2019 Roberts A01M 31/004

* cited by examiner

Primary Examiner — Michael A. Pratt

(74) *Attorney, Agent, or Firm* — K&L Gates LLP

(57) **CLAIM**

The ornamental design for a dart target, as shown and described.

DESCRIPTION

FIG. 1 illustrates a front perspective view of a dart target; FIG. 2 illustrates a front elevation view thereof; FIG. 3 illustrates a back elevation view thereof; FIG. 4 illustrates a side elevation view thereof; FIG. 5 illustrates a side elevation view thereof; FIG. 6 illustrates a top plan view thereof; and, FIG. 7 illustrates a bottom plan view thereof. In all Figures, broken lines illustrate environmental features and form no part of the claimed design.

1 Claim, 5 Drawing Sheets





FIG. 1



FIG. 2

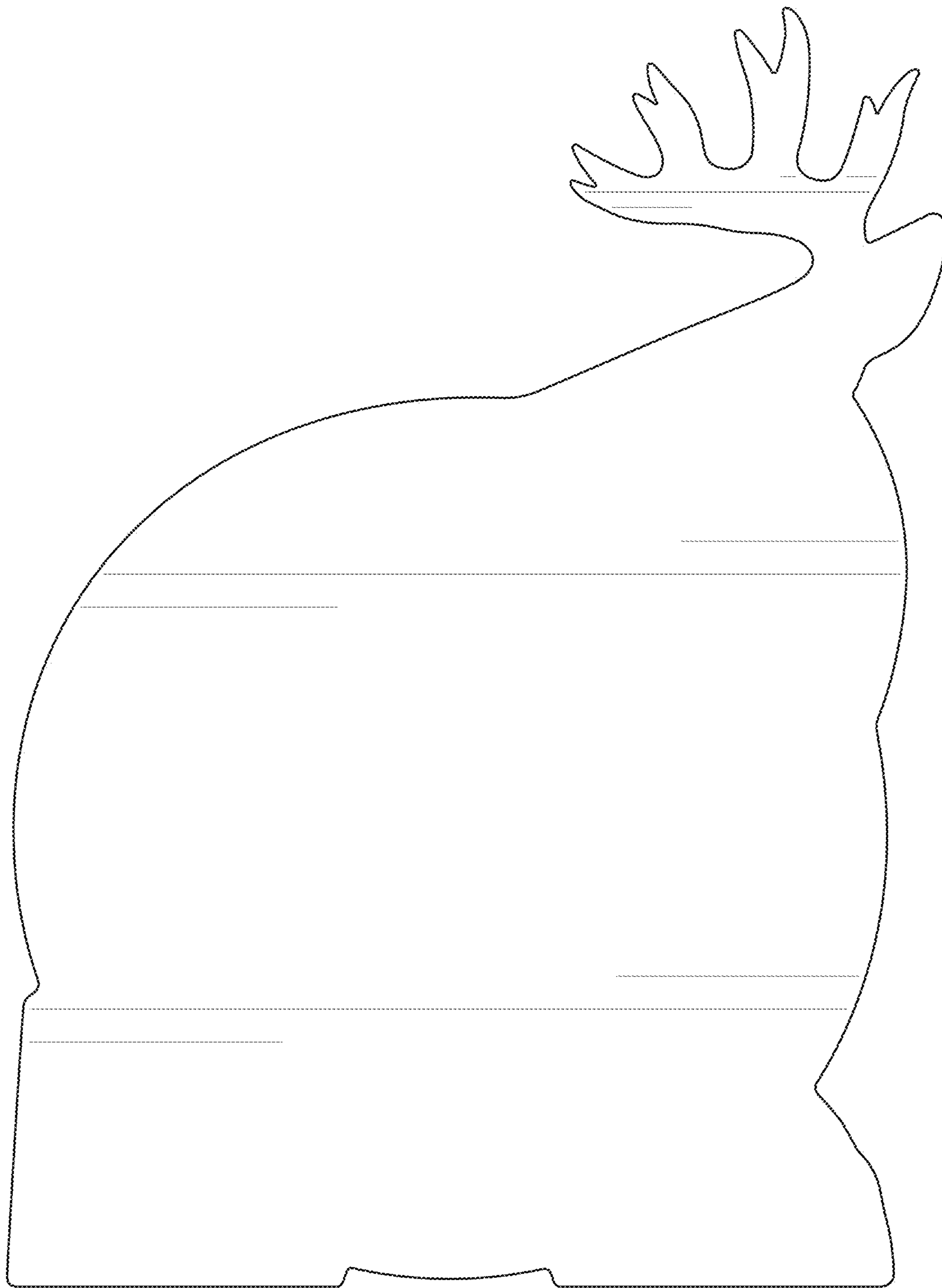


FIG. 3

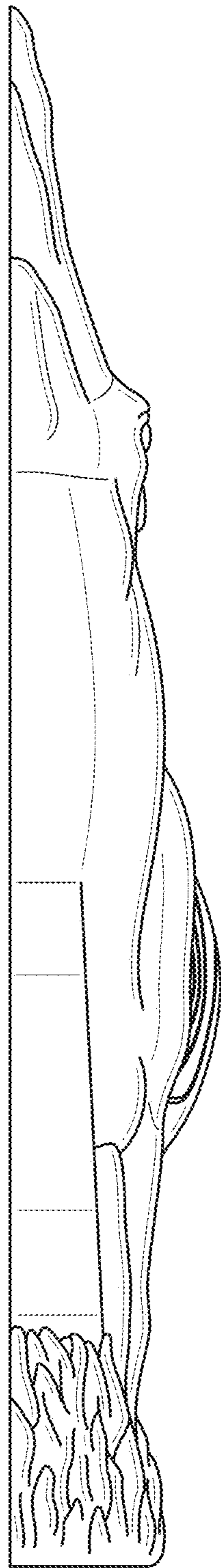


FIG. 4

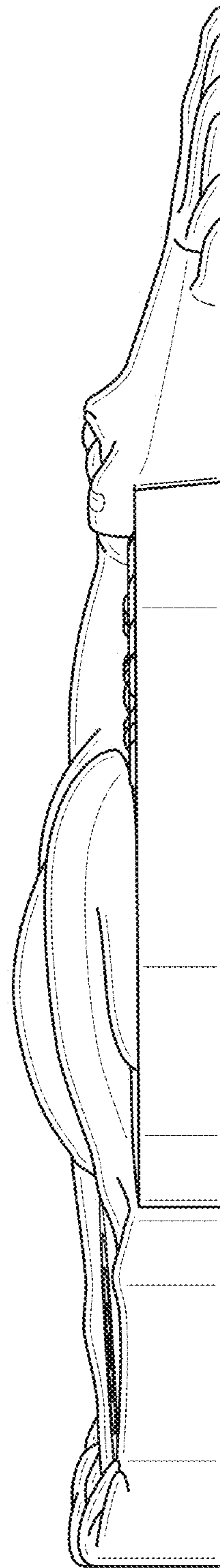


FIG. 5

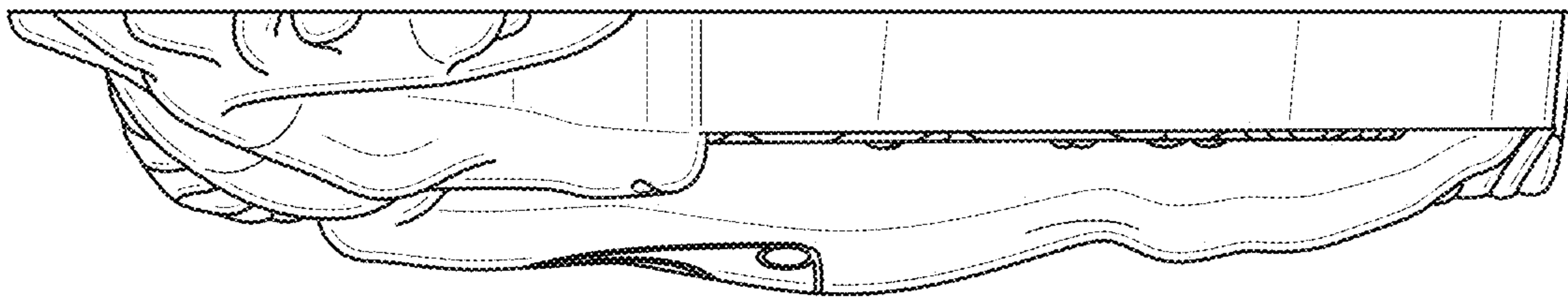


FIG. 6

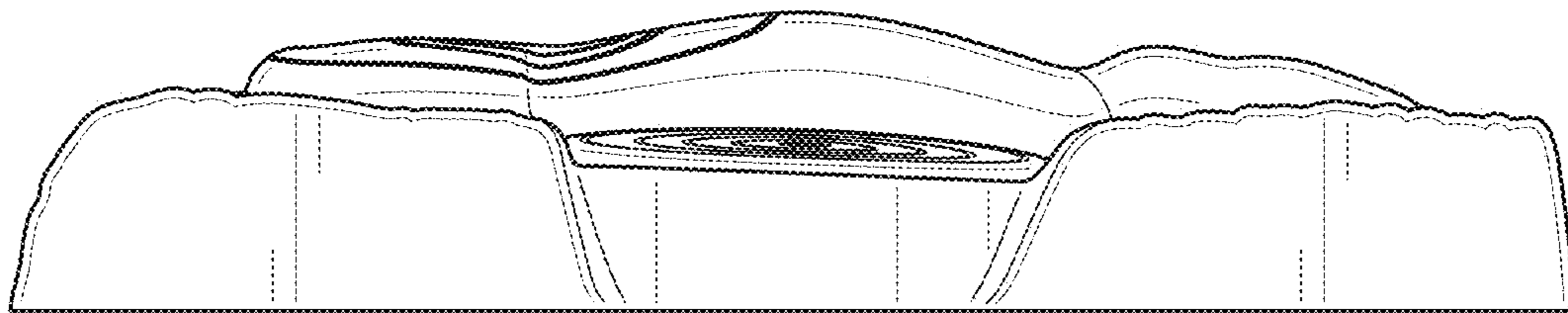


FIG. 7