



US00D973826S

(12) **United States Design Patent** (10) **Patent No.:** **US D973,826 S**  
**Kincel et al.** (45) **Date of Patent:** **\*\* Dec. 27, 2022**

(54) **FIREARM ACCESSORY MOUNT**  
(71) Applicant: **BRAVO COMPANY MFG, INC.**,  
Hartland, WI (US)  
(72) Inventors: **Eric Stephen Kincel**, Coeur d'Alene,  
ID (US); **Jeffrey James O'Brien**,  
Coeur d'Alene, ID (US)  
(73) Assignee: **BRAVO COMPANY MFG, INC.**,  
Hartland, WI (US)  
(\*\*) Term: **15 Years**  
(21) Appl. No.: **29/718,081**  
(22) Filed: **Dec. 20, 2019**  
(51) **LOC (13) Cl.** ..... **22-01**  
(52) **U.S. Cl.**  
USPC ..... **D22/109**  
(58) **Field of Classification Search**  
USPC ..... D22/108, 109, 110, 199; D16/130, 132,  
D16/136

(Continued)

(56) **References Cited**  
**U.S. PATENT DOCUMENTS**  
2,743,525 A 5/1956 Leupold  
3,295,811 A 1/1967 Giwosky  
(Continued)

**FOREIGN PATENT DOCUMENTS**  
DE 202004010012 U1 9/2004  
EP 2743631 A2 6/2014

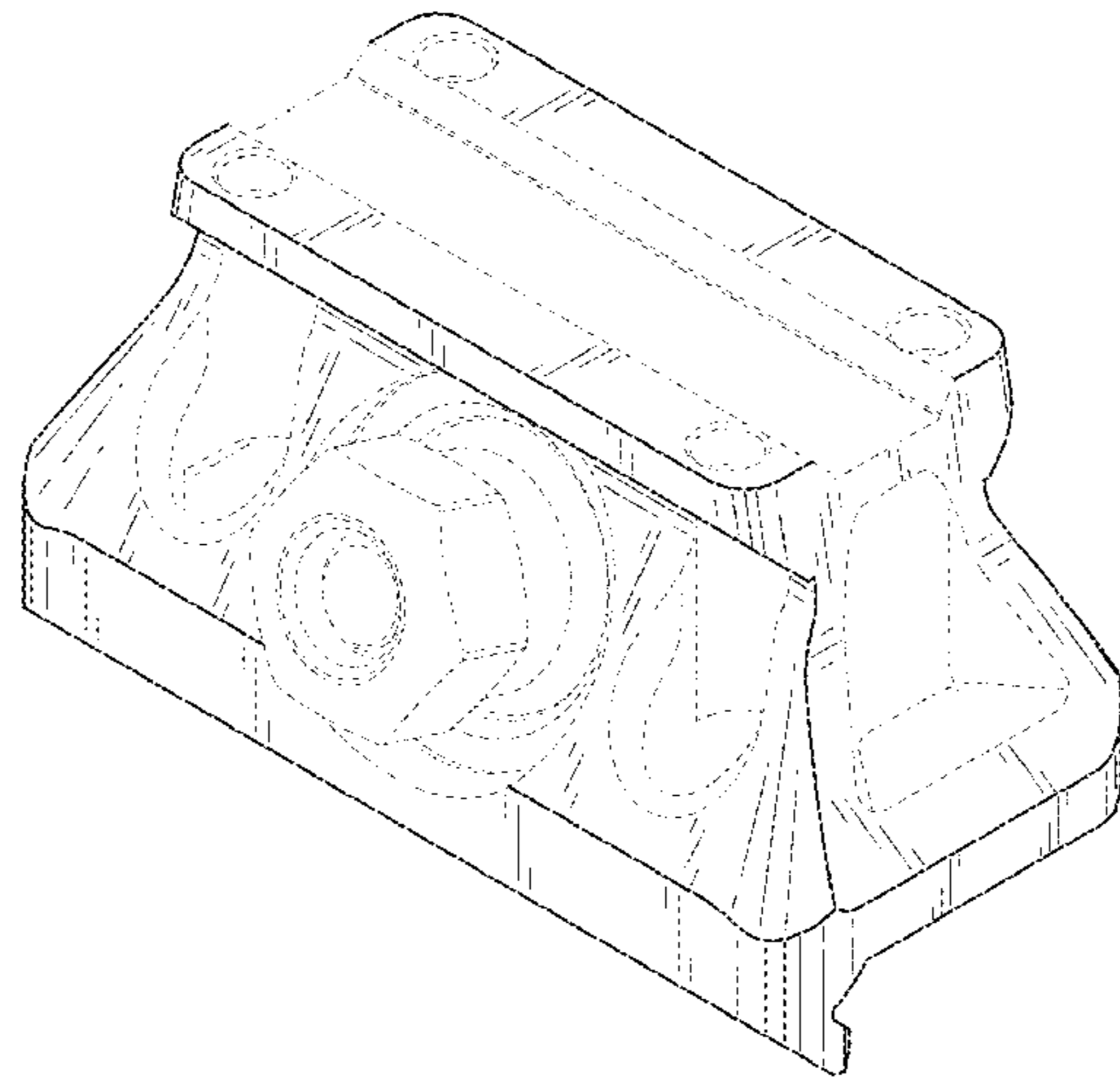
**OTHER PUBLICATIONS**  
Bravo Company Mount, Published: Sep. 23, 2020 [site visited: Aug.  
21, 2021] URL: <https://bravocompanyusa.com/trijicon-rm34-tall-picatunny-rail-mount-for-rmr/>(Year: 2020).\*  
(Continued)

*Primary Examiner* — Marissa J Cash  
*Assistant Examiner* — Jessie Anne E Touart  
(74) *Attorney, Agent, or Firm* — Michael Best &  
Friedrich LLP

(57) **CLAIM**  
We claim the ornamental design for a firearm accessory  
mount, as shown and described.

**DESCRIPTION**  
FIG. 1 is a first perspective view of a first embodiment of a  
firearm accessory mount of the present invention.  
FIG. 2 is a second perspective view of the firearm accessory  
mount of FIG. 1.  
FIG. 3 is a right-side view of the firearm accessory mount of  
FIG. 1.  
FIG. 4 is a left-side view of the firearm accessory mount of  
FIG. 1.  
FIG. 5 is a front view of the firearm accessory mount of FIG.  
1.  
FIG. 6 is a rear view of the firearm accessory mount of FIG.  
1.  
FIG. 7 is a top view of the firearm accessory mount of FIG.  
1.  
FIG. 8 is a bottom view of the firearm accessory mount of  
FIG. 1.  
FIG. 9 is a first perspective view of a second embodiment of  
a firearm accessory mount of the present invention.  
FIG. 10 is a second perspective view of the firearm acces-  
sory mount of FIG. 9.  
FIG. 11 is a right-side view of the firearm accessory mount  
of FIG. 9.  
FIG. 12 is a left-side view of the firearm accessory mount of  
FIG. 9.  
FIG. 13 is a front view of the firearm accessory mount of  
FIG. 9.  
FIG. 14 is a rear view of the firearm accessory mount of FIG.  
9.  
FIG. 15 is a top view of the firearm accessory mount of FIG.  
9; and,  
FIG. 16 is a bottom view of the firearm accessory mount of  
FIG. 9.

(Continued)



The broken lines immediately adjacent shaded surfaces illustrate the boundaries of the claimed design; all other broken lines illustrate portions of the firearm accessory mount that form no part of the claimed design.

**1 Claim, 8 Drawing Sheets**

(58) **Field of Classification Search**

CPC . F41C 27/00; F41G 1/387; F41G 1/02; F41G 1/06; F41G 1/10; F41G 1/30; F41G 11/001; F41G 11/003; F41G 11/004; F41G 11/005

See application file for complete search history.

(56) **References Cited**

U.S. PATENT DOCUMENTS

5,680,725	A	10/1997	Bell	
6,295,754	B1	10/2001	Ottelman et al.	
7,685,759	B2 *	3/2010	Teetzel .....	F41G 11/003 42/127
D637,260	S *	5/2011	Swan .....	D22/109
8,020,335	B2 *	9/2011	Larsson .....	F41G 11/003 42/125
D680,185	S *	4/2013	Adamson .....	D22/108
3,490,313	A1	7/2013	Frascati et al.	
8,683,732	B2	4/2014	Joplin	
8,893,424	B2	11/2014	Haering	
D718,833	S *	12/2014	Huang .....	D22/108
9,038,305	B2 *	5/2015	Volfson .....	F41G 11/003 42/90
9,568,281	B1	2/2017	Chen	
9,574,852	B1	2/2017	McKillips et al.	
D785,745	S *	5/2017	McKillips .....	D22/109
9,671,198	B2 *	6/2017	Bartoszewicz .....	F41G 11/003
9,677,854	B1 *	6/2017	Tran .....	F41G 11/003
D823,971	S *	7/2018	Houde-Walter .....	F41G 11/003 D22/108
D826,360	S *	8/2018	Cheng .....	D22/108
10,132,596	B2 *	11/2018	Bartoszewicz .....	F41G 11/003
D835,748	S *	12/2018	Stewart .....	D22/110
D849,871	S *	5/2019	McKillips .....	D22/109
D865,107	S *	10/2019	Batten .....	D22/108
D881,315	S *	4/2020	Liu .....	D22/108
10,655,929	B2 *	5/2020	Stewart .....	F41G 11/003
D907,161	S *	1/2021	Chin .....	D22/110
D921,816	S *	6/2021	Lee .....	D22/108
11,067,363	B2	7/2021	Galli et al.	

11,162,518	B1	11/2021	Macy et al.	
2008/0216380	A1	9/2008	Teetzel	
2010/0005697	A1	1/2010	Fluhr et al.	
2010/0229450	A1 *	9/2010	Becker .....	F41G 1/35 42/90
2012/0180363	A1	7/2012	Frascati et al.	
2013/0283663	A1	10/2013	Joplin	
2013/0318852	A1	12/2013	Teetzel et al.	
2017/0102213	A1	4/2017	Bartoszewicz	
2017/0261288	A1	9/2017	Bartoszewicz	
2020/0109916	A1 *	4/2020	Eichelberger .....	F41G 11/003
2022/0042772	A1	2/2022	Raley et al.	
2022/0042773	A1	2/2022	Kincel et al.	

OTHER PUBLICATIONS

Grant, Jim. "Primary Arms Optics Releases New Glx Microdot Riser Mounts" Ammoland, published: Nov. 24, 2020 [site visited Aug. 20, 2021] URL: <https://www.ammoland.com/2020/11/primary-arms-optics-releases-new-glx-microdot-riser-mounts/#axzz745vD6wgU> (Year: 2020).\*

UTG Super Slim Mount, Date first available: May 28, 2020 [visited: Aug. 20, 2021] URL: [https://www.amazon.com/UTG-Super-Mount-Absolute-Co-Witness/dp/B07R9GV7FQ/ref=pd\\_lpo\\_1?pd\\_rd\\_i=B07R9GV7FQ&psc=1](https://www.amazon.com/UTG-Super-Mount-Absolute-Co-Witness/dp/B07R9GV7FQ/ref=pd_lpo_1?pd_rd_i=B07R9GV7FQ&psc=1) (Year: 2020).\*

Strike Industries Mount, First avail: Aug. 20, 2019 [visited: Aug. 20, 2021] URL: <https://www.amazon.com/Strike-Industries-Piece-Riser-Optic/dp/B07WDSXZLP> (Year: 2019).\*

Geissele Automatics, "Super Precision—T1 Series Optic Mounts" <<https://geissele.com/super-precision-t1-series.html>> webpage accessed Sep. 11, 2018.

Geissele Automatics, "Super Precision Scope Mount, 30mm for AR-15, 1.93" Height," <<https://geissele.com/super-precision-scope-mount-30mm-for-ar-15-1-93-height.html>> webpage accessed Sep. 11, 2018.

Leupold, "Mark 4 Mounting Systems," <<https://www.leupold.com/product-series/mark-4-mounting-systems>> webpage accessed Sep. 11, 2018.

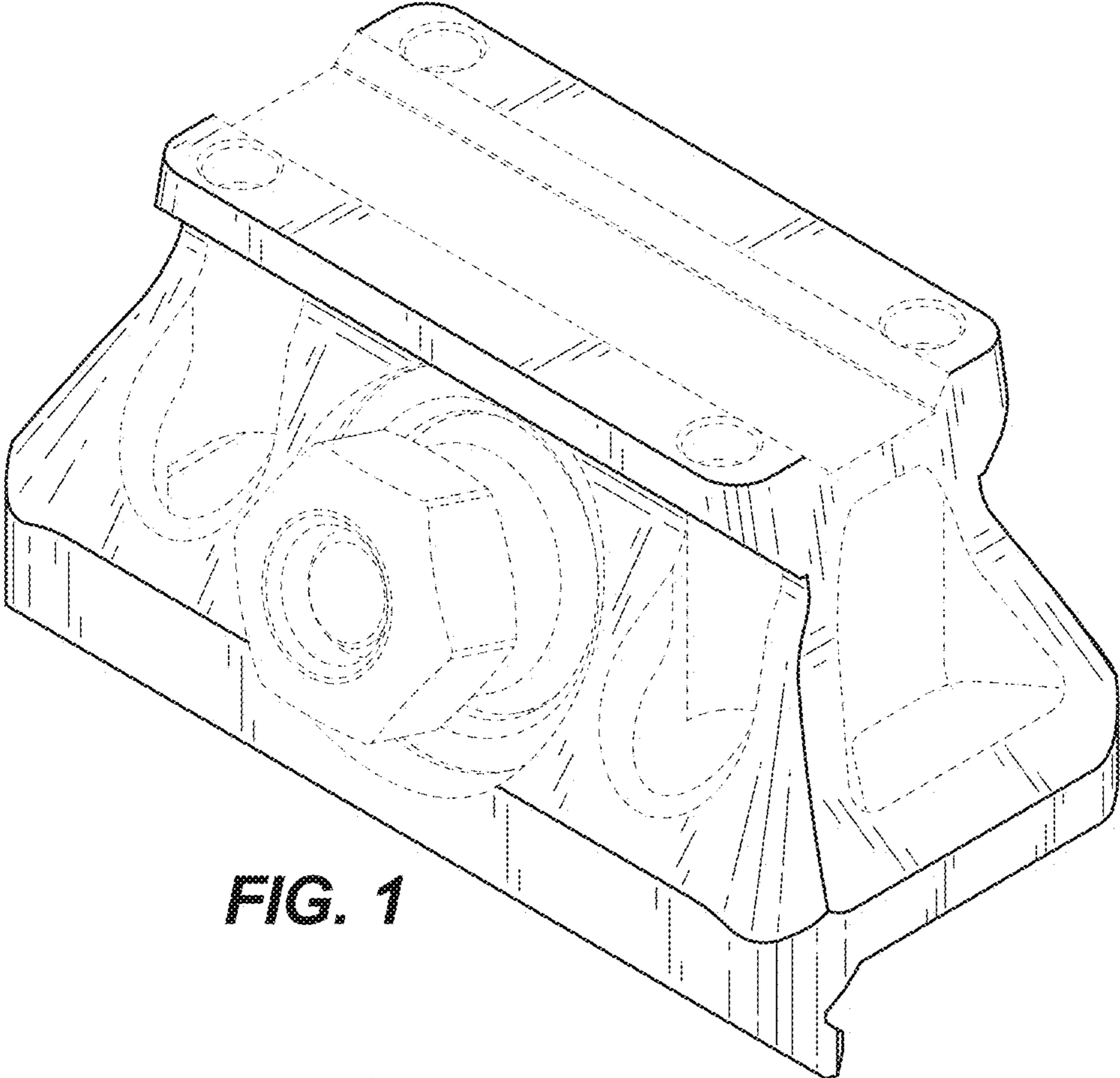
Wikipedia, "Picatinny Rail," <[https://en.wikipedia.org/wiki/Picatinny\\_rail](https://en.wikipedia.org/wiki/Picatinny_rail)> webpage accessed Mar. 13, 2020.

Wikipedia, "Weaver Rail Mount," <[https://en.wikipedia.org/wiki/Weaver\\_rail\\_mount](https://en.wikipedia.org/wiki/Weaver_rail_mount)> webpage accessed Mar. 13, 2020.

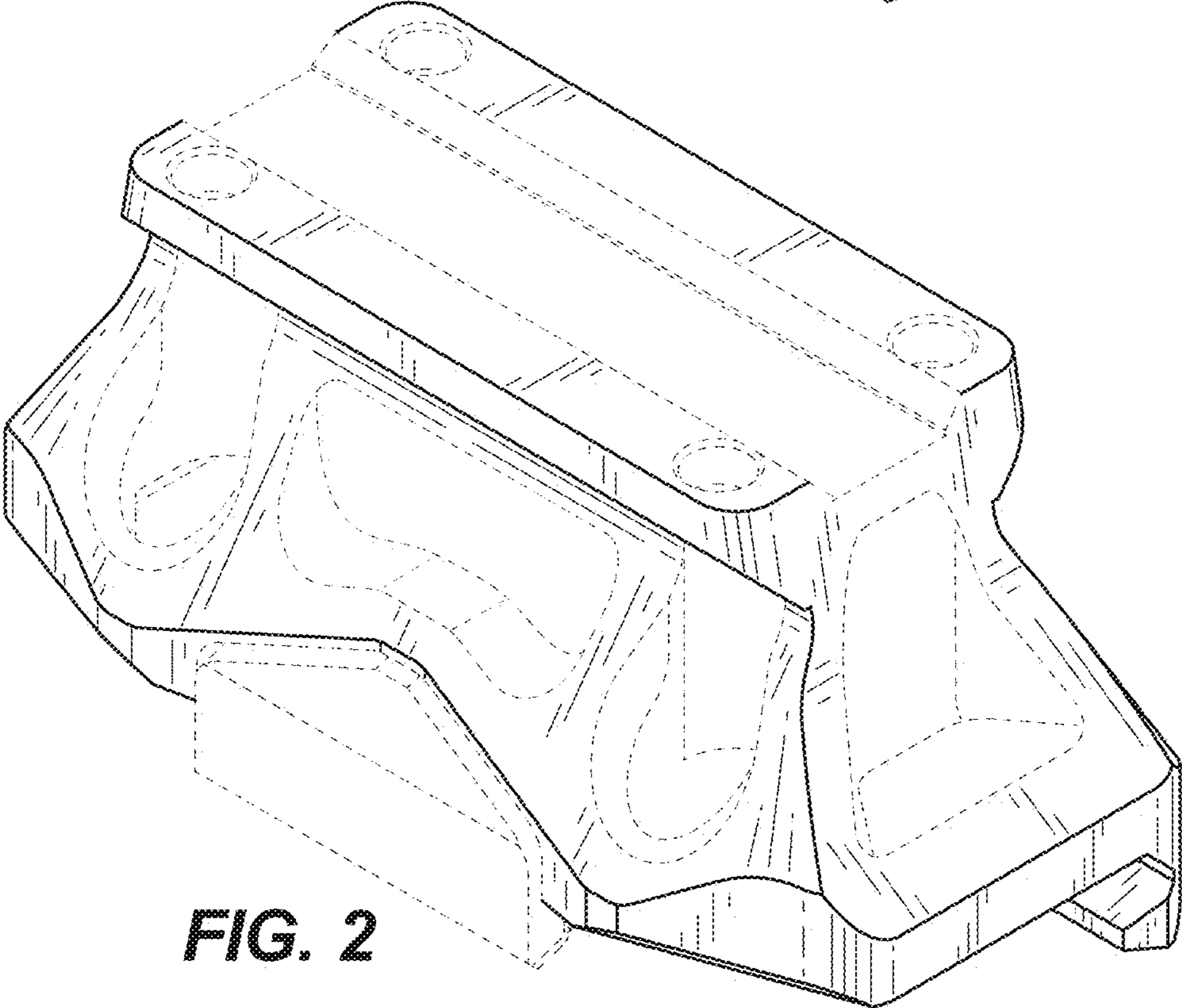
Geissele Automatics, "Super Precision Optic Mount for the Aimpoint Micro Series Installation Instructions," <<https://geissele.com/amfile/file/download/file/14861fc58ef430184ac45d30bb184933/product/471/>> webpage accessed Mar. 13, 2020.

International Search Report and Written Opinion for Application No. PCT/US2019/067933 dated Mar. 18, 2020 (13 pages).

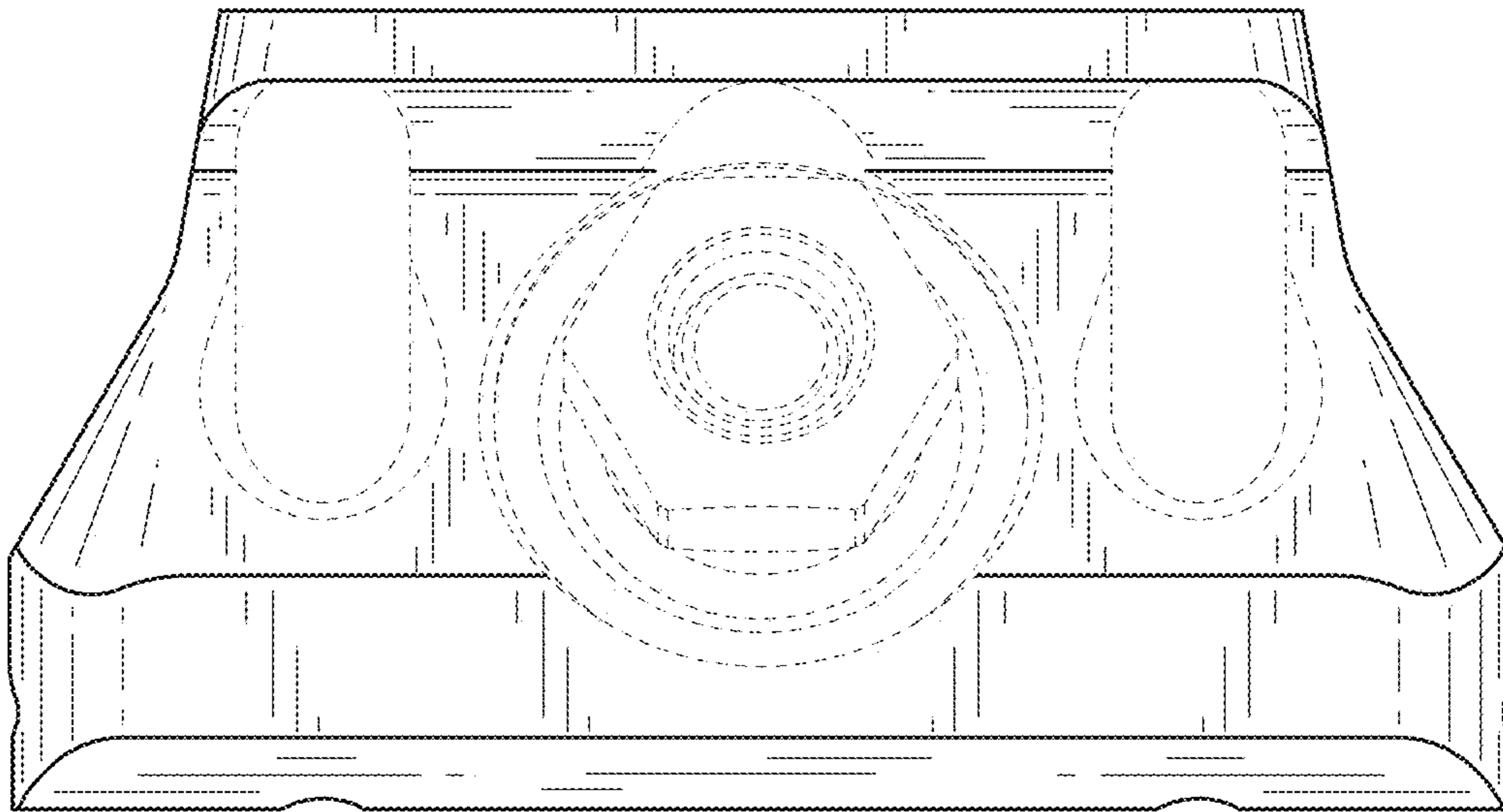
\* cited by examiner



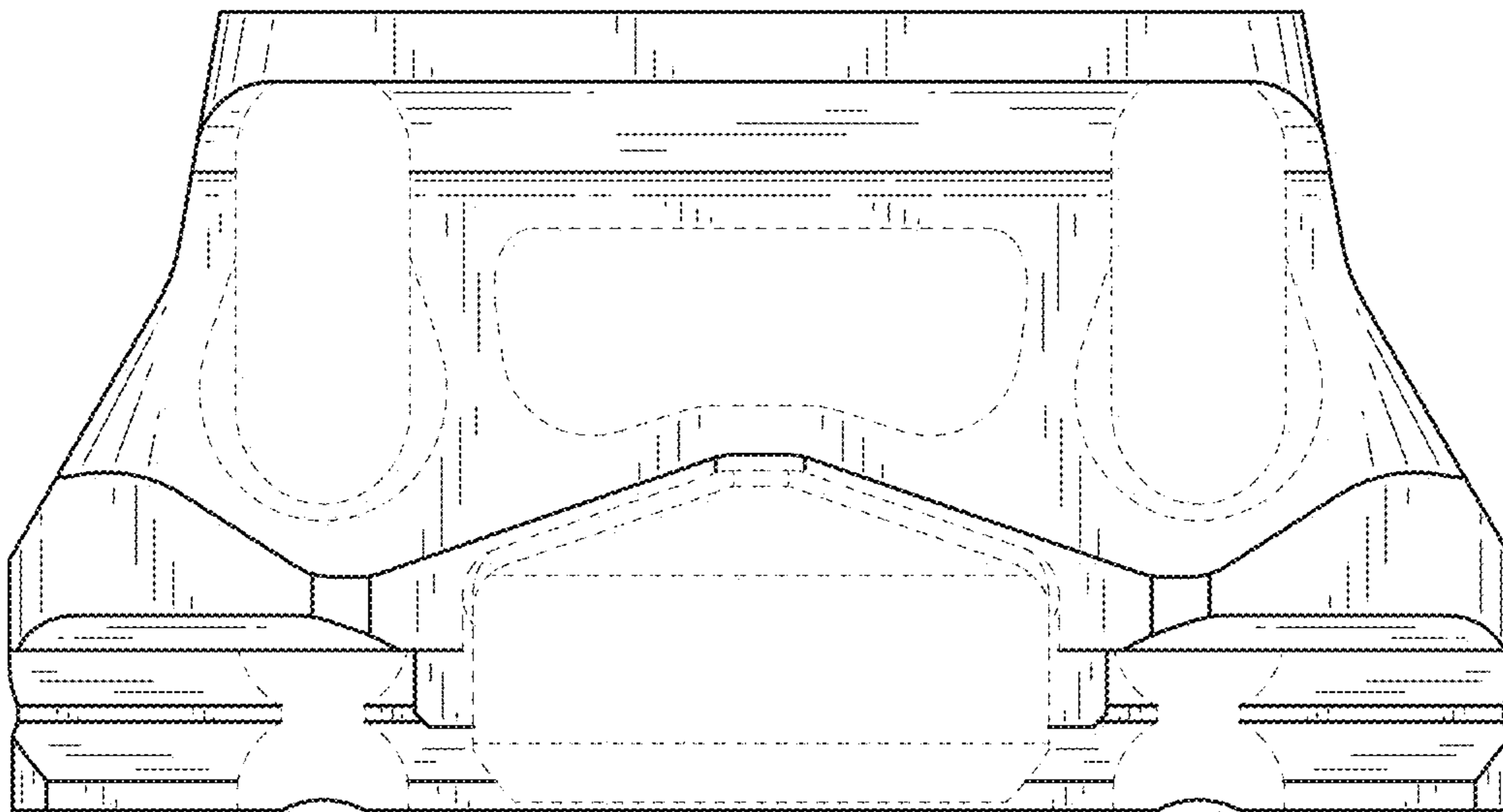
**FIG. 1**



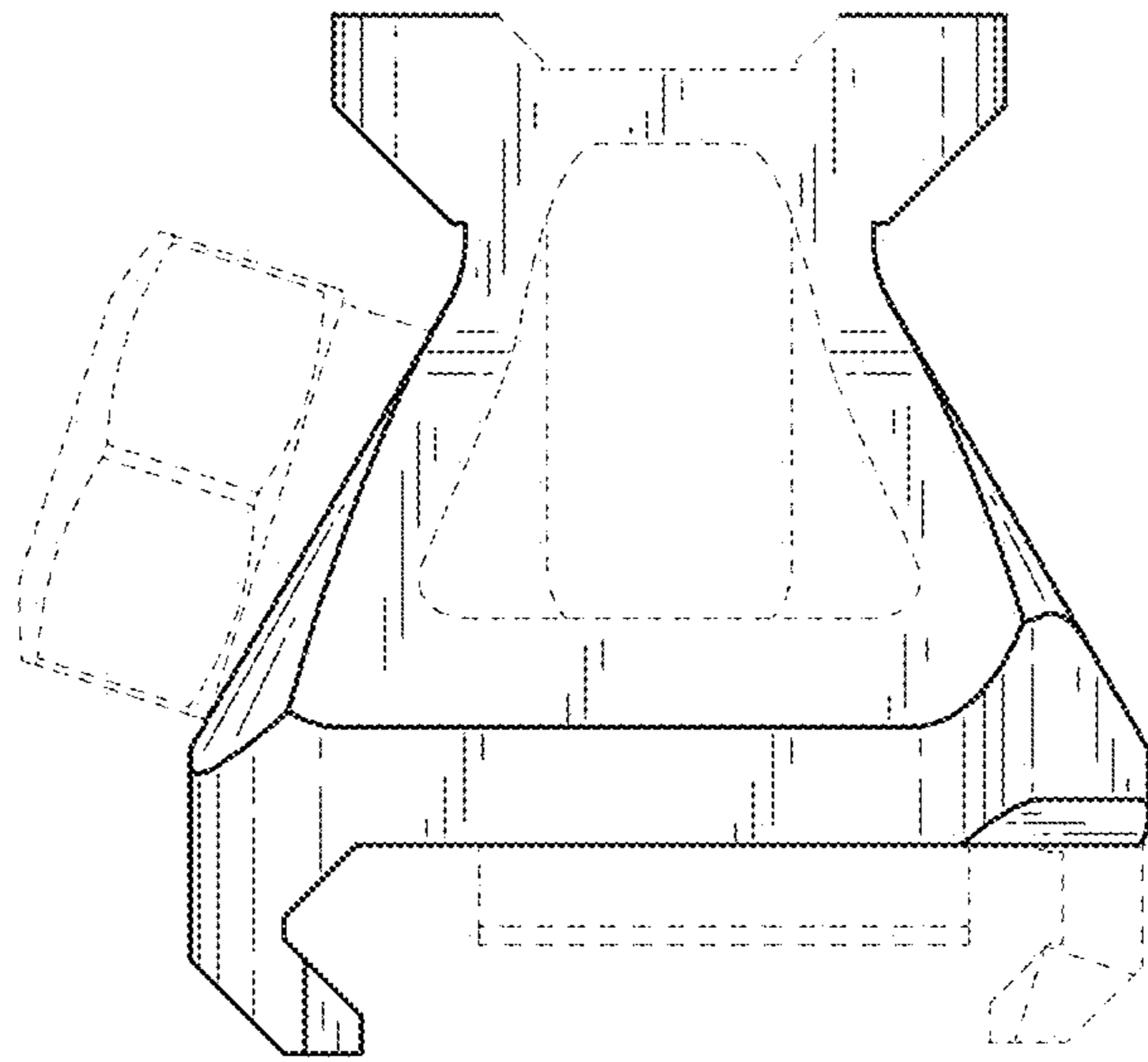
**FIG. 2**



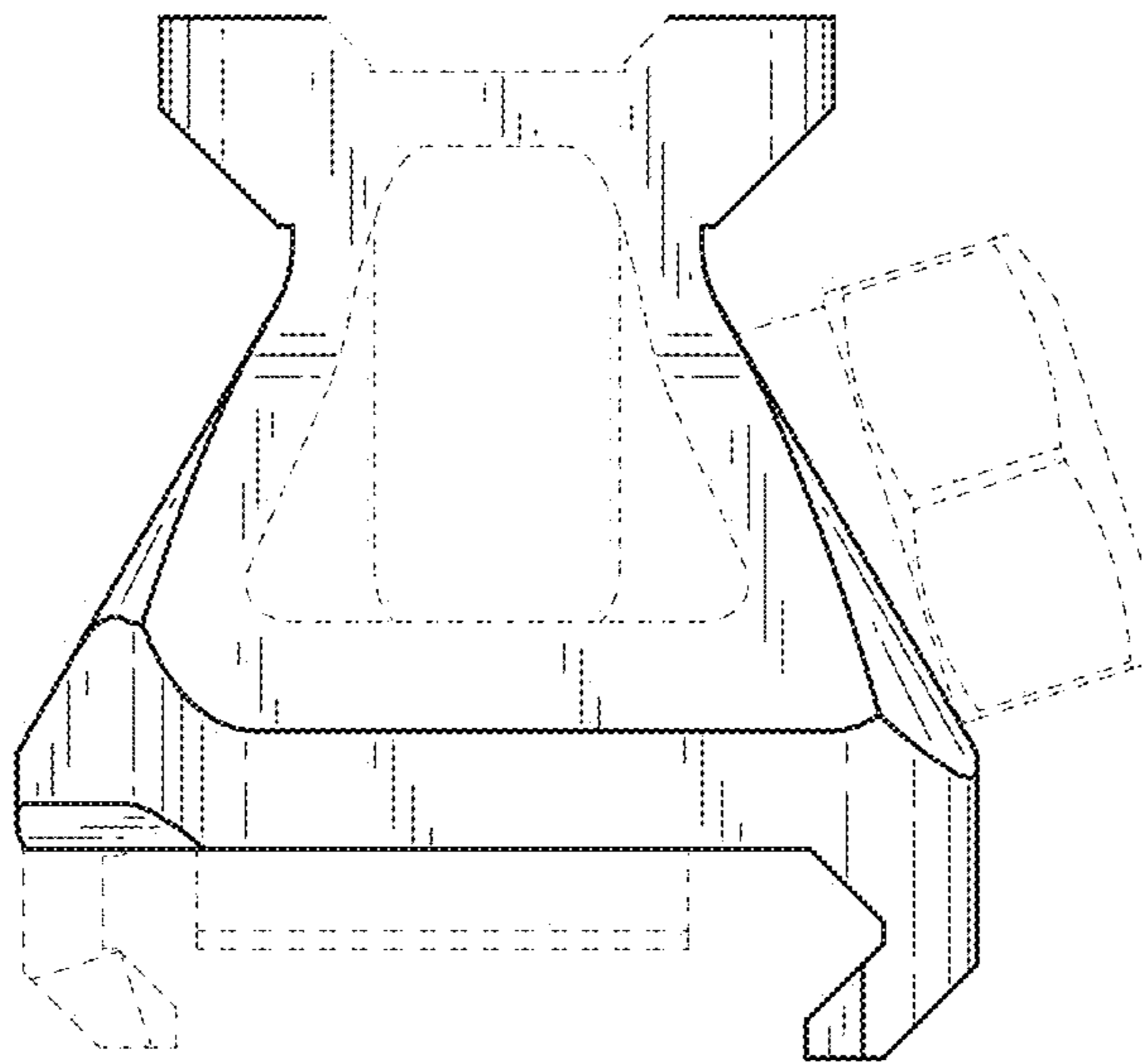
**FIG. 3**



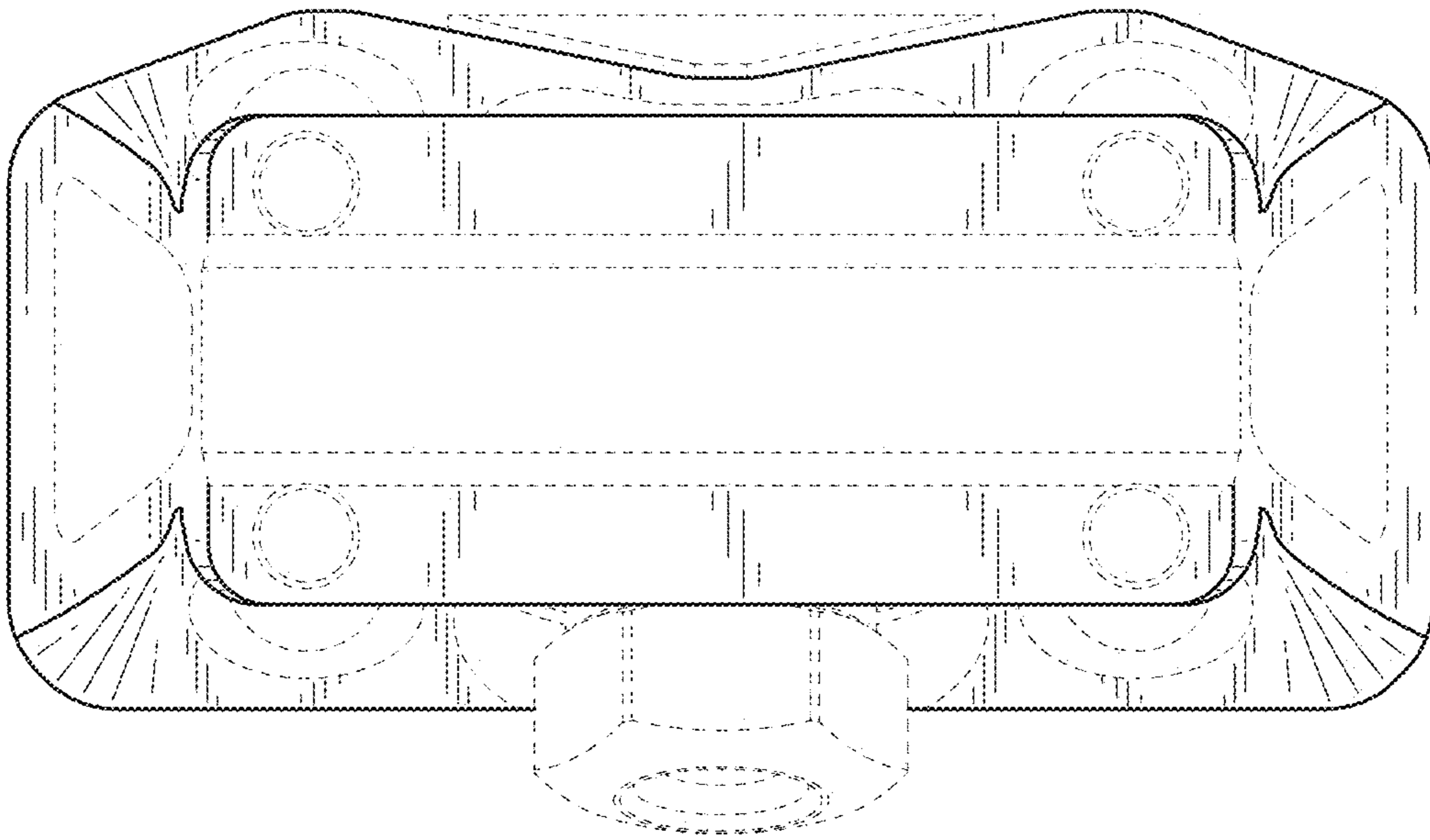
**FIG. 4**



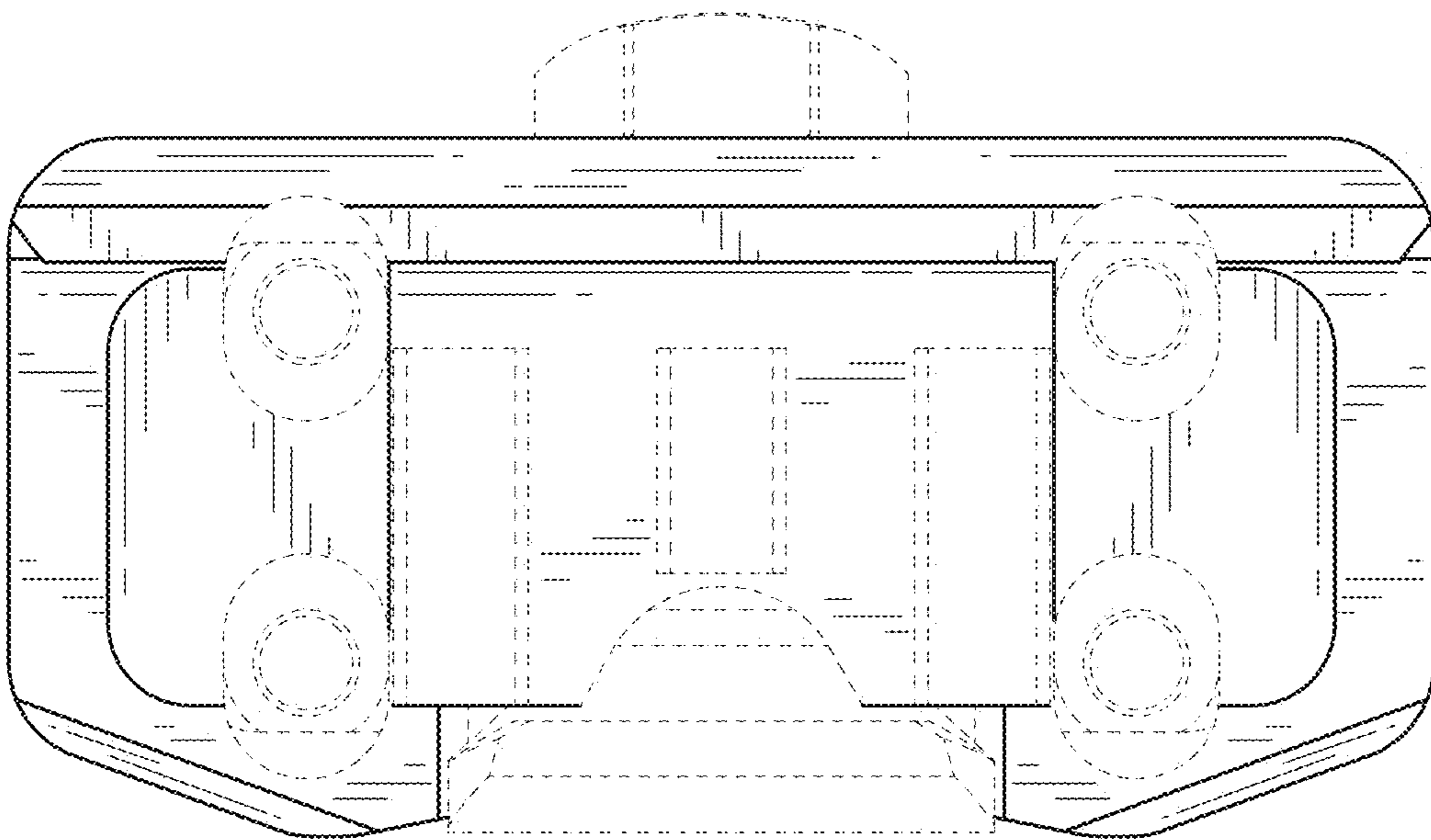
**FIG. 5**



**FIG. 6**

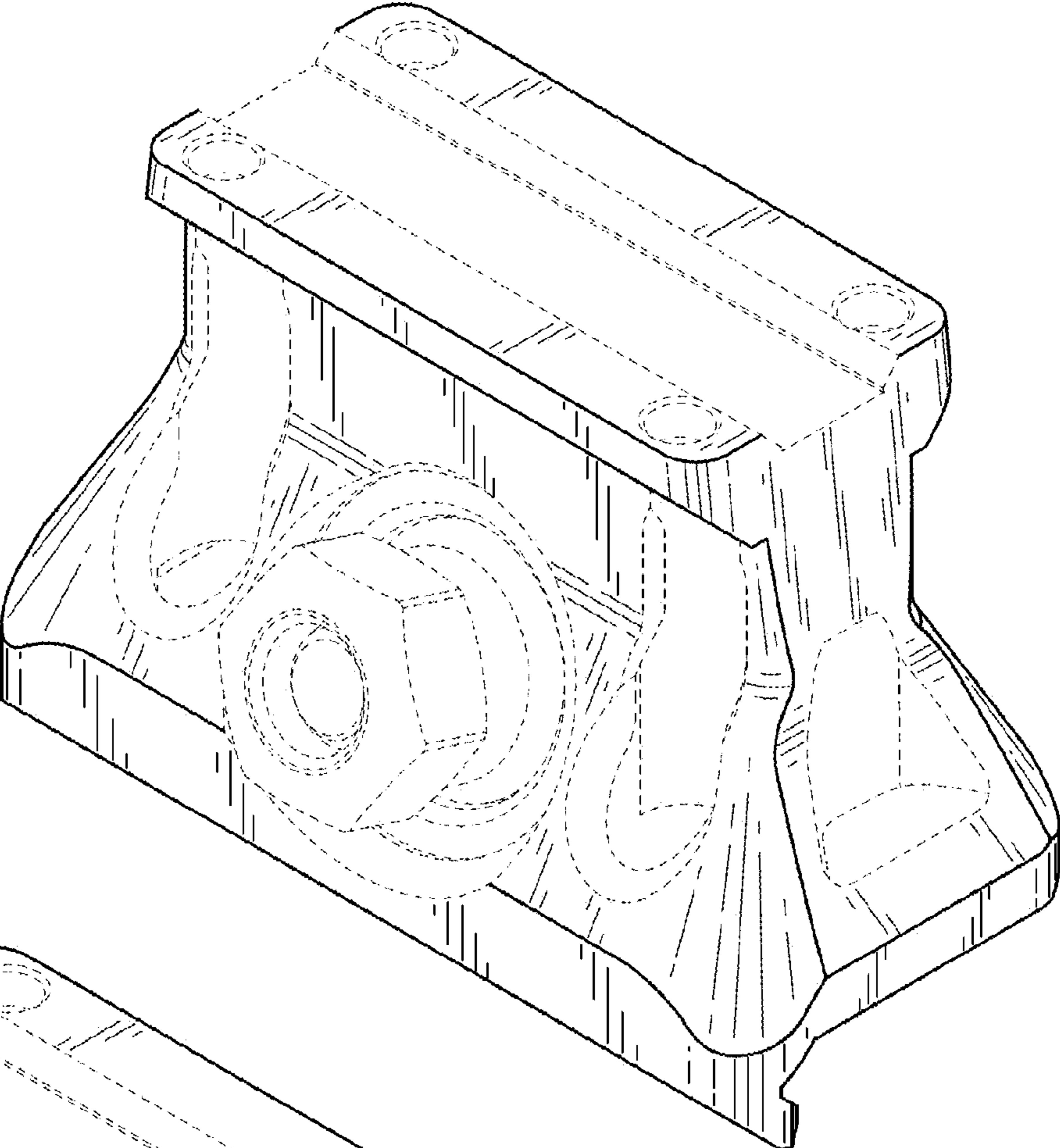


**FIG. 7**

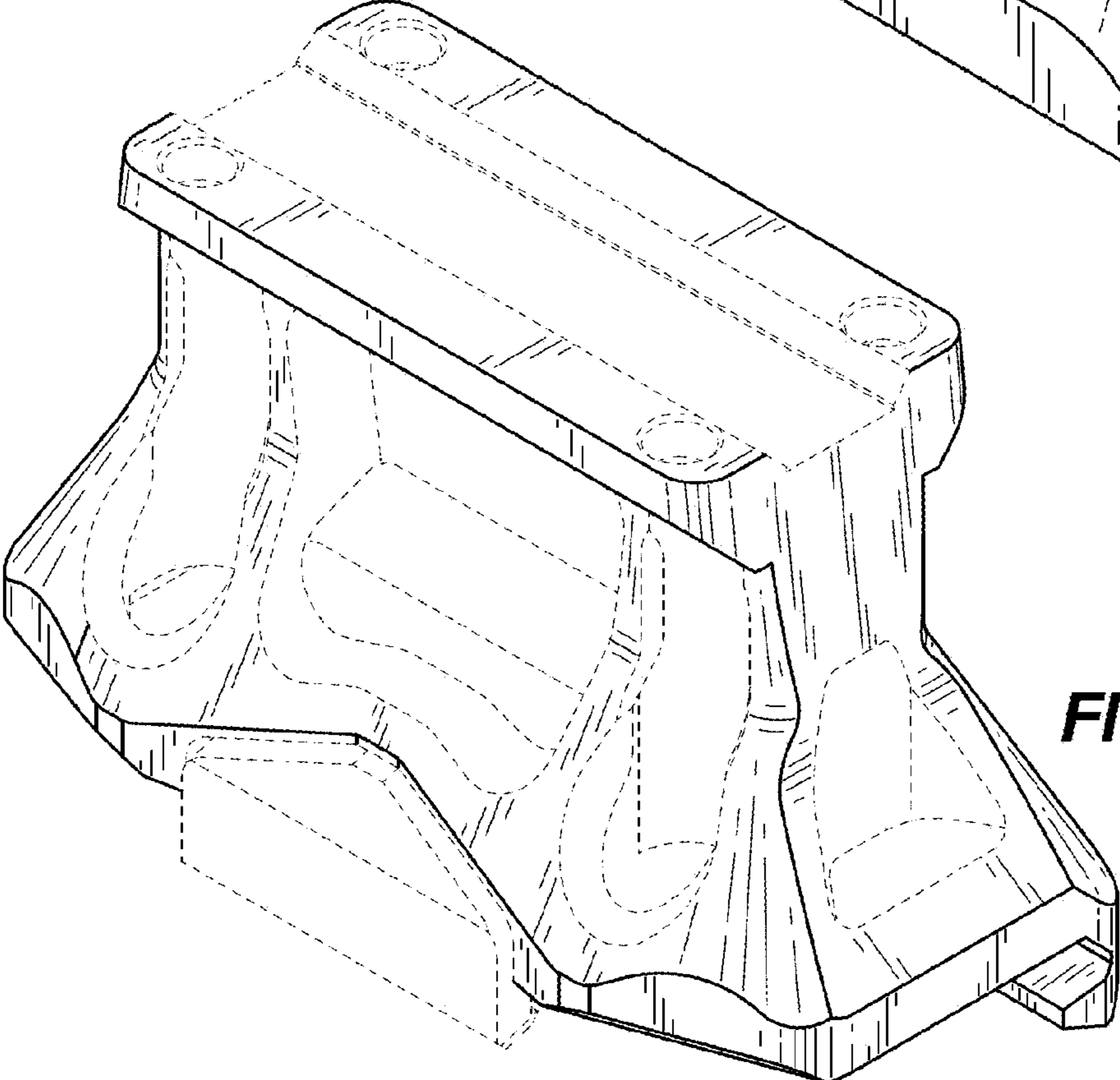


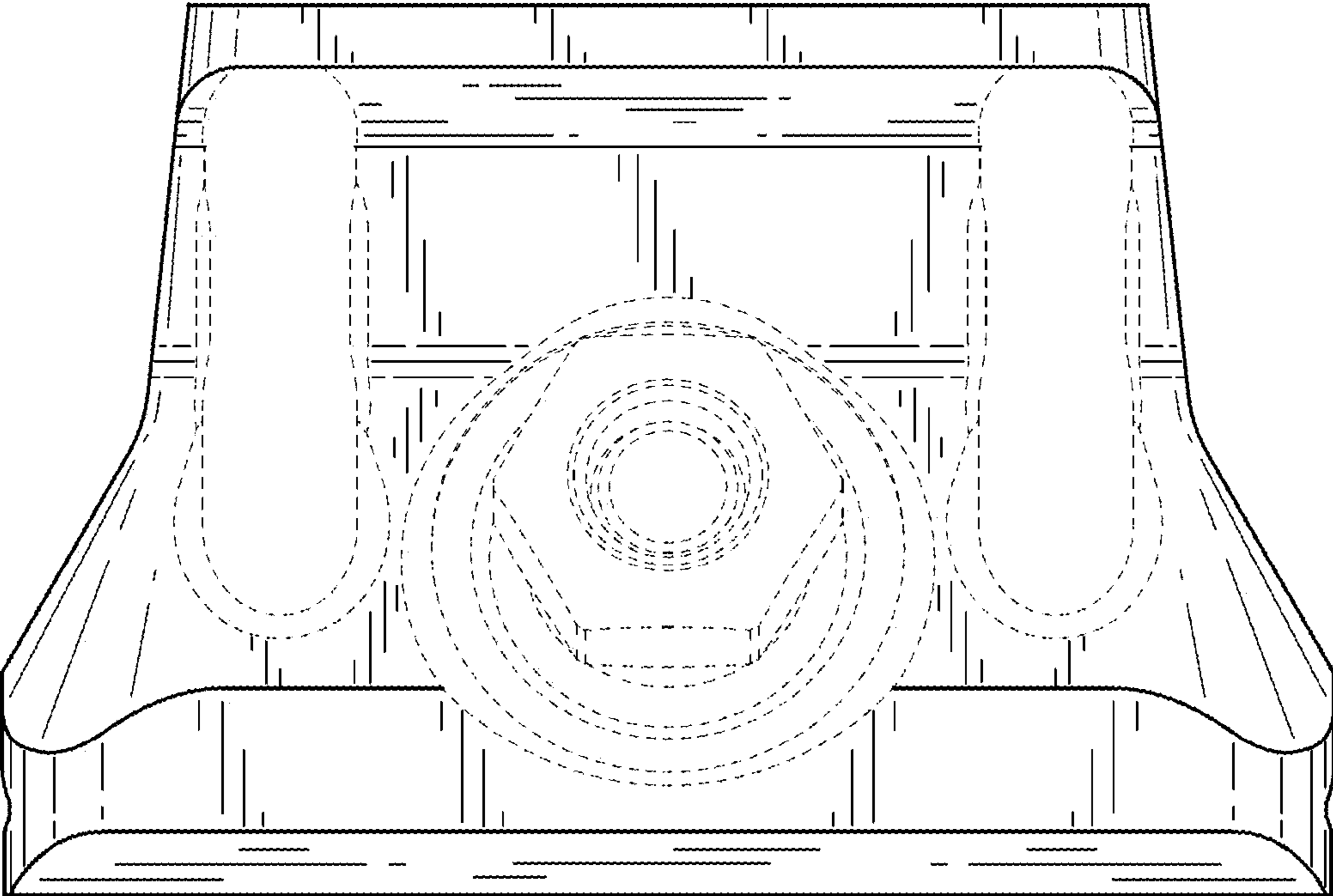
**FIG. 8**

**FIG. 9**

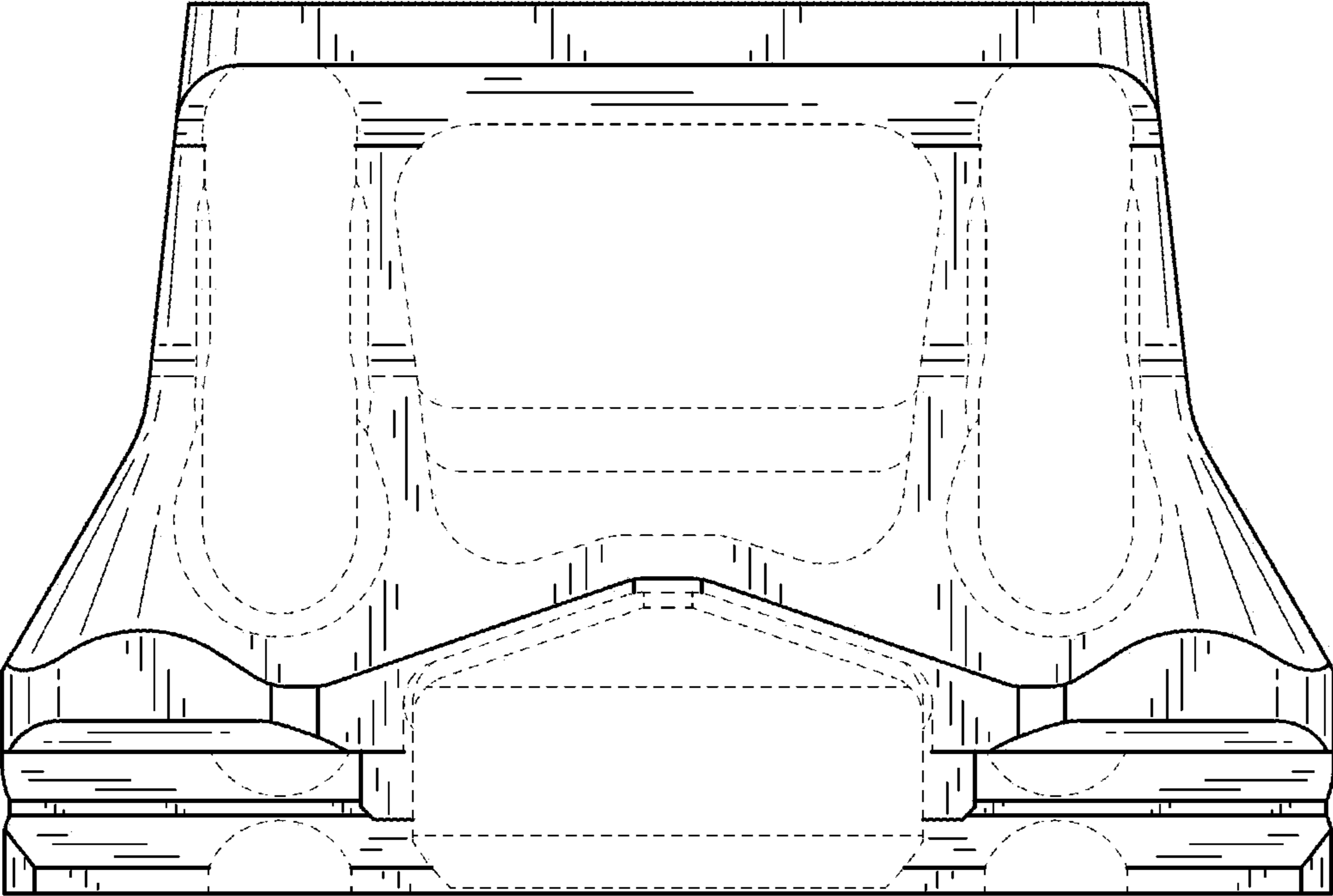


**FIG. 10**



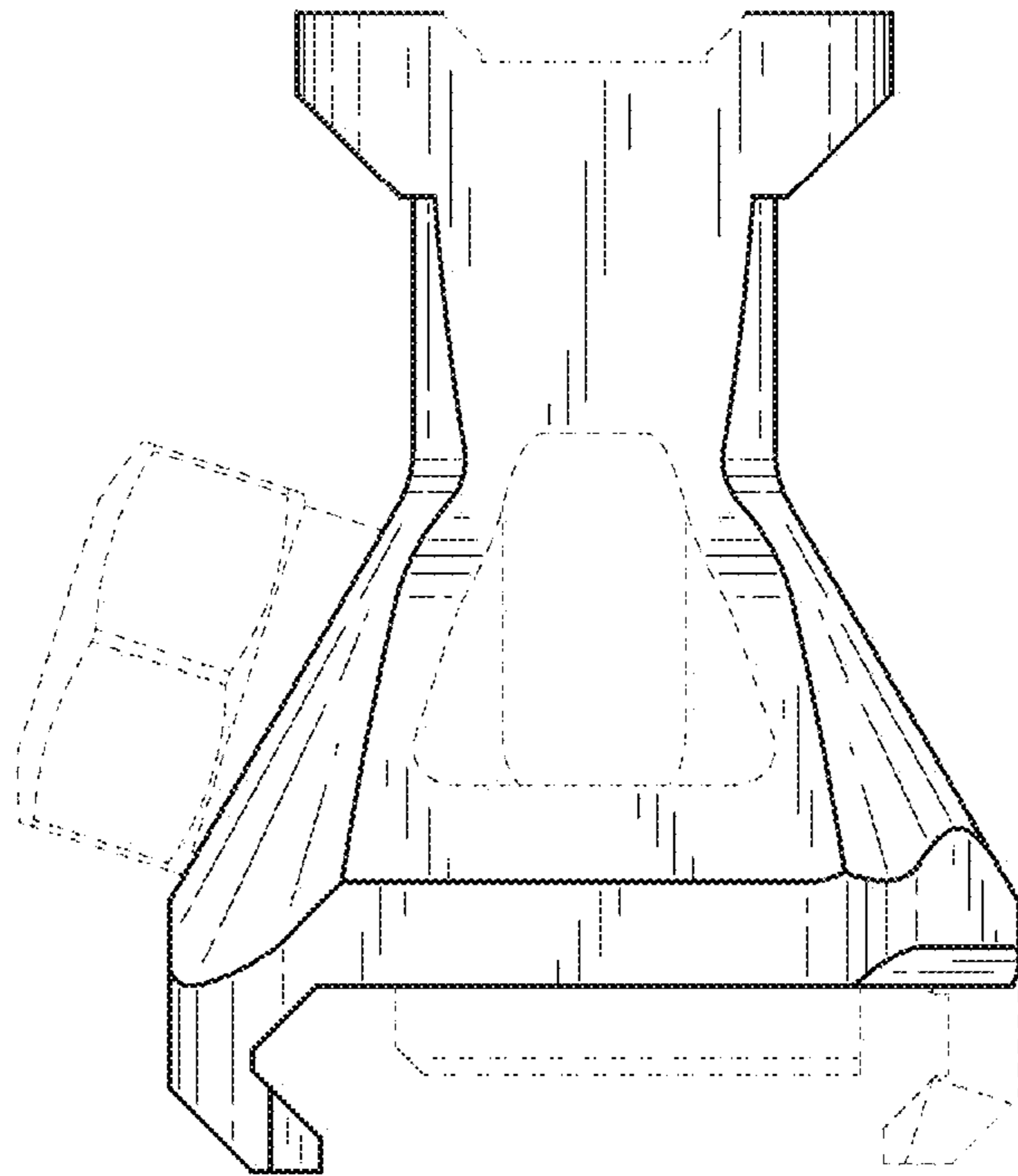


**FIG. 11**

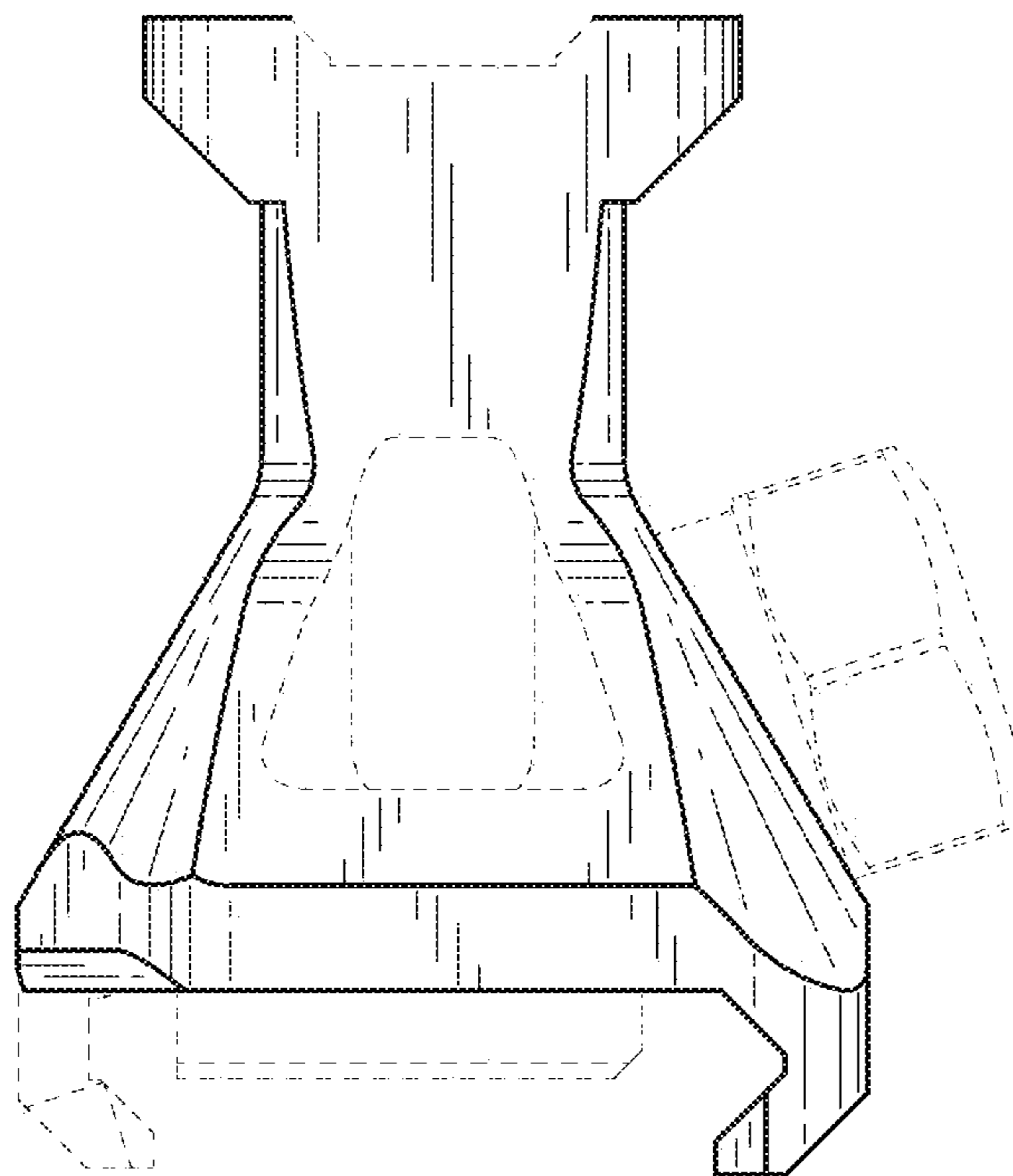


**FIG. 12**

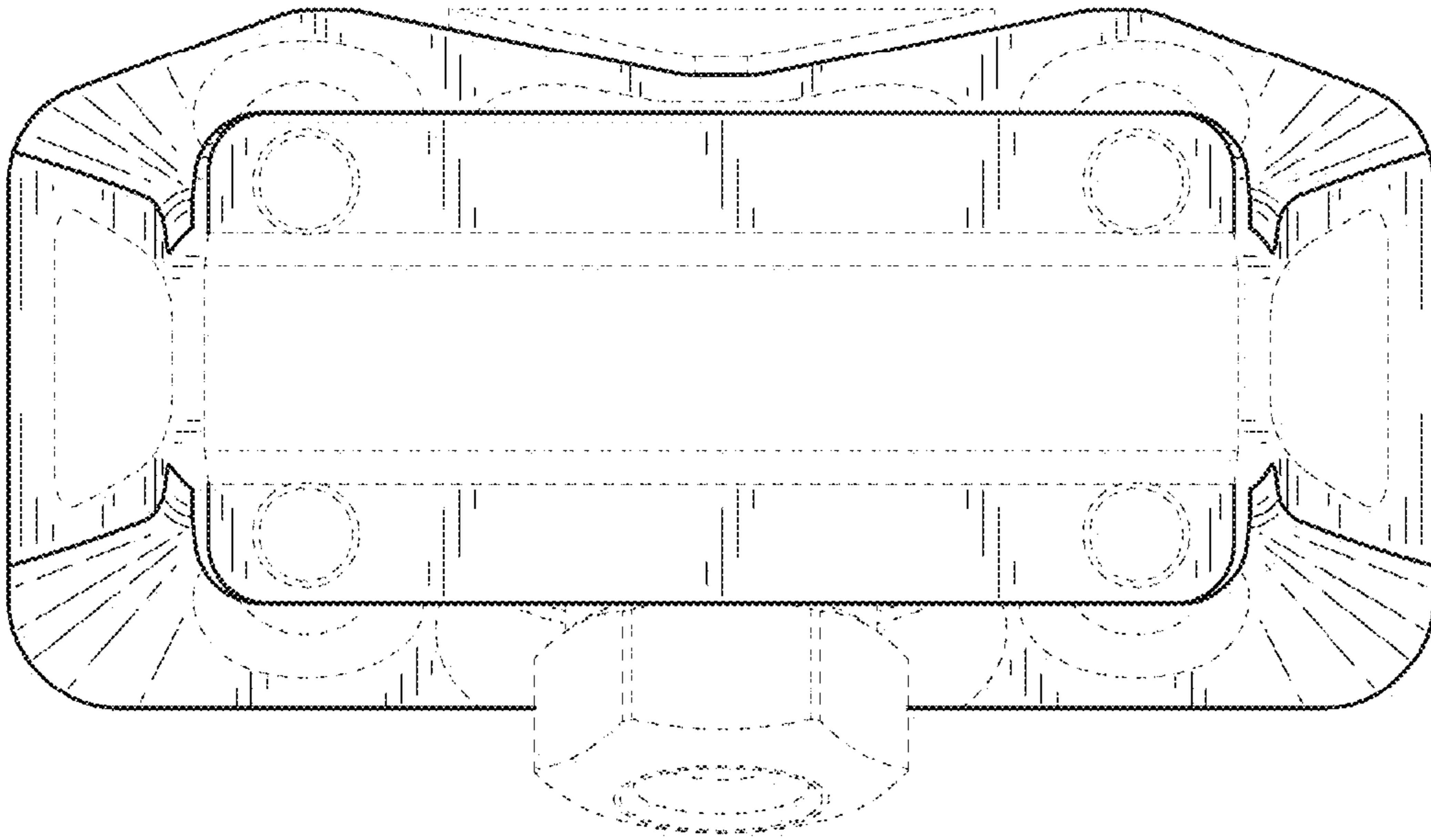




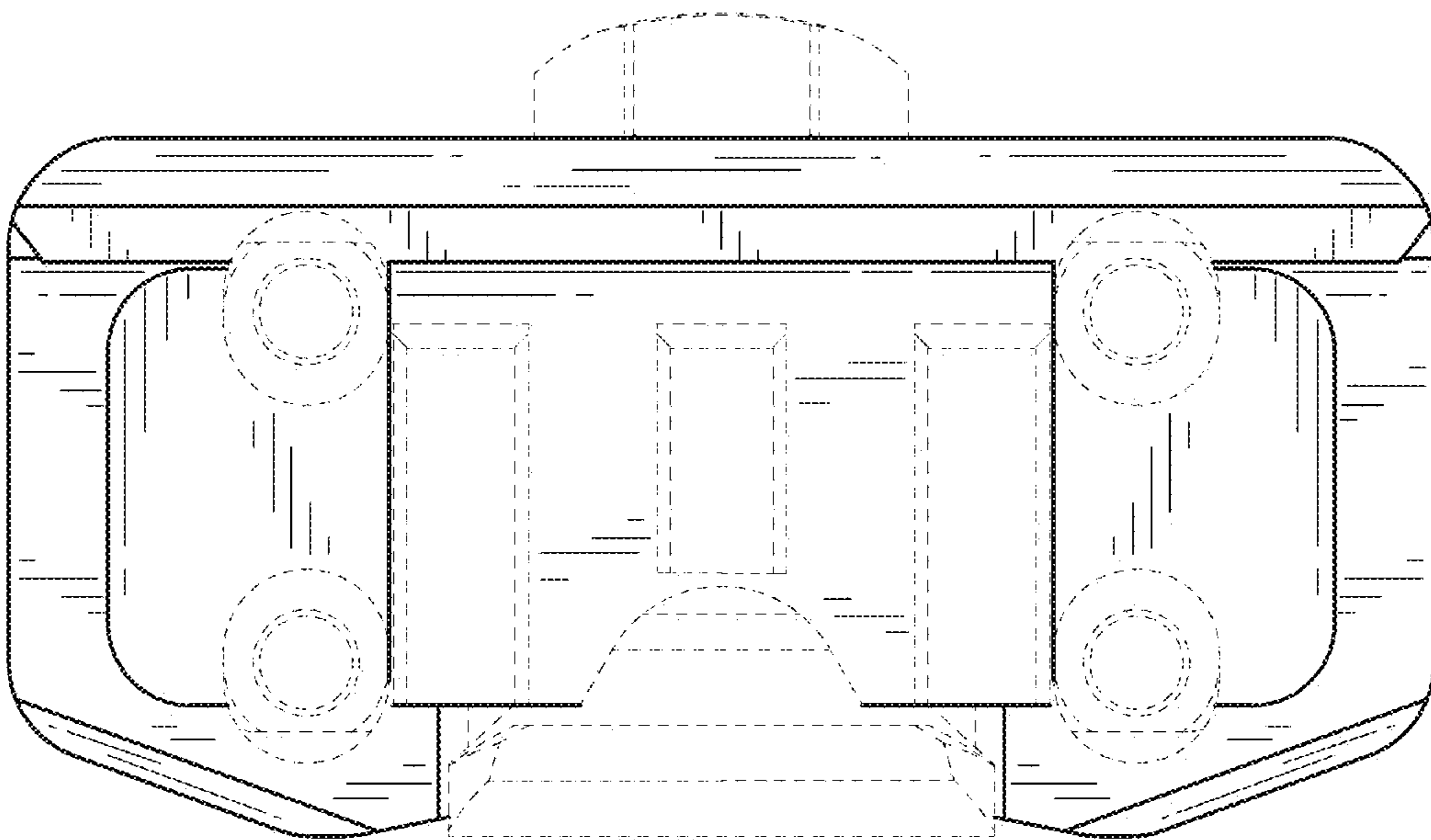
**FIG. 13**



**FIG. 14**



**FIG. 15**



**FIG. 16**