



US00D973823S

(12) **United States Design Patent** (10) **Patent No.:** **US D973,823 S**
Yin (45) **Date of Patent:** **** Dec. 27, 2022**

(54) **TENT**
(71) Applicant: **GUANGDONG GLOBALSINO OUTDOOR SPORTS EQUIPMENT LIMITED**, Shenzhen (CN)
(72) Inventor: **Lin Yin**, Shenzhen (CN)
(73) Assignee: **GUANGDONG GLOBALSINO OUTDOOR SPORTS EQUIPMENT LIMITED**, Qingyuan (CN)

D872,818 S * 1/2020 Zhu D21/837
D879,231 S * 3/2020 Zhu D21/834
D910,137 S * 2/2021 Zhang D21/834
D925,686 S * 7/2021 Guo D21/834
D928,899 S * 8/2021 Zhu D21/837
D932,579 S * 10/2021 Barnett D21/834
2005/0178421 A1 * 8/2005 Holub E04H 15/425
135/156
2015/0330099 A1 * 11/2015 Zhou E04H 15/48
135/143
2017/0022732 A1 * 1/2017 Jin E04H 15/36
2019/0010725 A1 * 1/2019 Bueno E04H 15/54

(**) Term: **15 Years**
(21) Appl. No.: **29/795,453**
(22) Filed: **Jun. 18, 2021**
(51) **LOC (13) Cl.** **21-04**
(52) **U.S. Cl.**
USPC **D21/834**
(58) **Field of Classification Search**
USPC D21/834-839
CPC E04H 15/00; E04H 15/003; E04H 15/32;
E04H 15/34; E04H 15/36; E04H 15/40;
E04H 15/405; E04H 15/42; E04H 15/425;
E04H 15/44; E04H 15/48; E04H 15/60
See application file for complete search history.

OTHER PUBLICATIONS

WhiteFang Beach Tent, Reviewed and available online as early as Jun. 11, 2021 [online], [site visited Aug. 9, 2022]. Available from Internet: <URL: <https://www.amazon.com/dp/B08SJGS7M7/>> (Year: 2021).*

* cited by examiner

Primary Examiner — Cynthia M. Chin

(57) **CLAIM**

The ornamental design for a tent, as shown and described.

DESCRIPTION

FIG. 1 is a perspective view of a tent showing my new design;
FIG. 2 is another perspective view thereof;
FIG. 3 is a front elevational view thereof;
FIG. 4 is a rear elevational view thereof;
FIG. 5 is a left side elevational view thereof;
FIG. 6 is a right side elevational view thereof; and,
FIG. 7 is a top plan view thereof.

1 Claim, 7 Drawing Sheets

(56) **References Cited**
U.S. PATENT DOCUMENTS
4,352,362 A * 10/1982 Nichols E04H 15/40
135/98
D420,414 S * 2/2000 Lah D21/834
9,777,508 B2 * 10/2017 Kalvani E04H 15/54
10,041,271 B2 * 8/2018 Jin E04H 15/425
10,428,550 B2 * 10/2019 Huang E04H 15/42
D872,210 S * 1/2020 Zhu D21/837



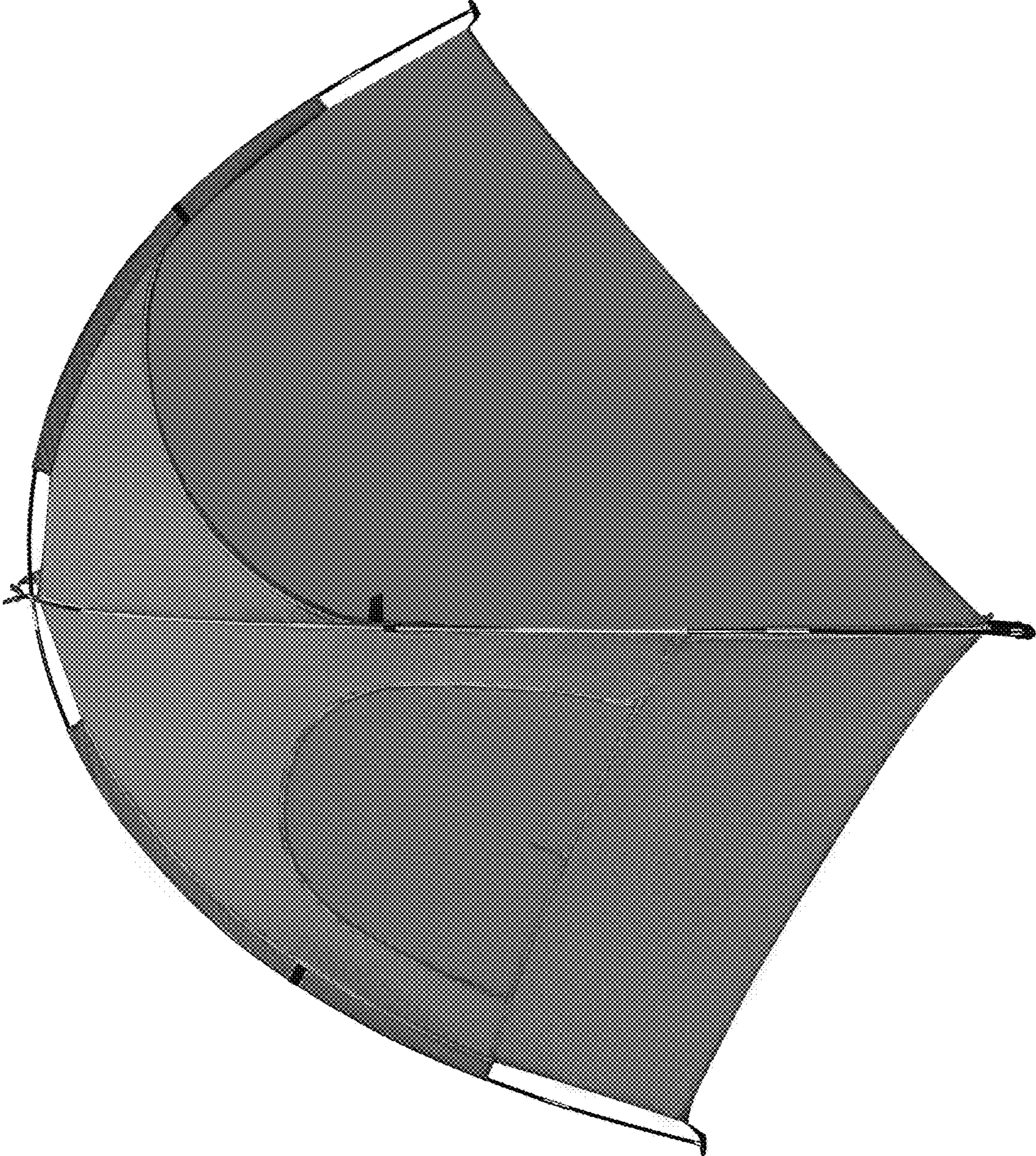


FIG. 1



FIG. 2

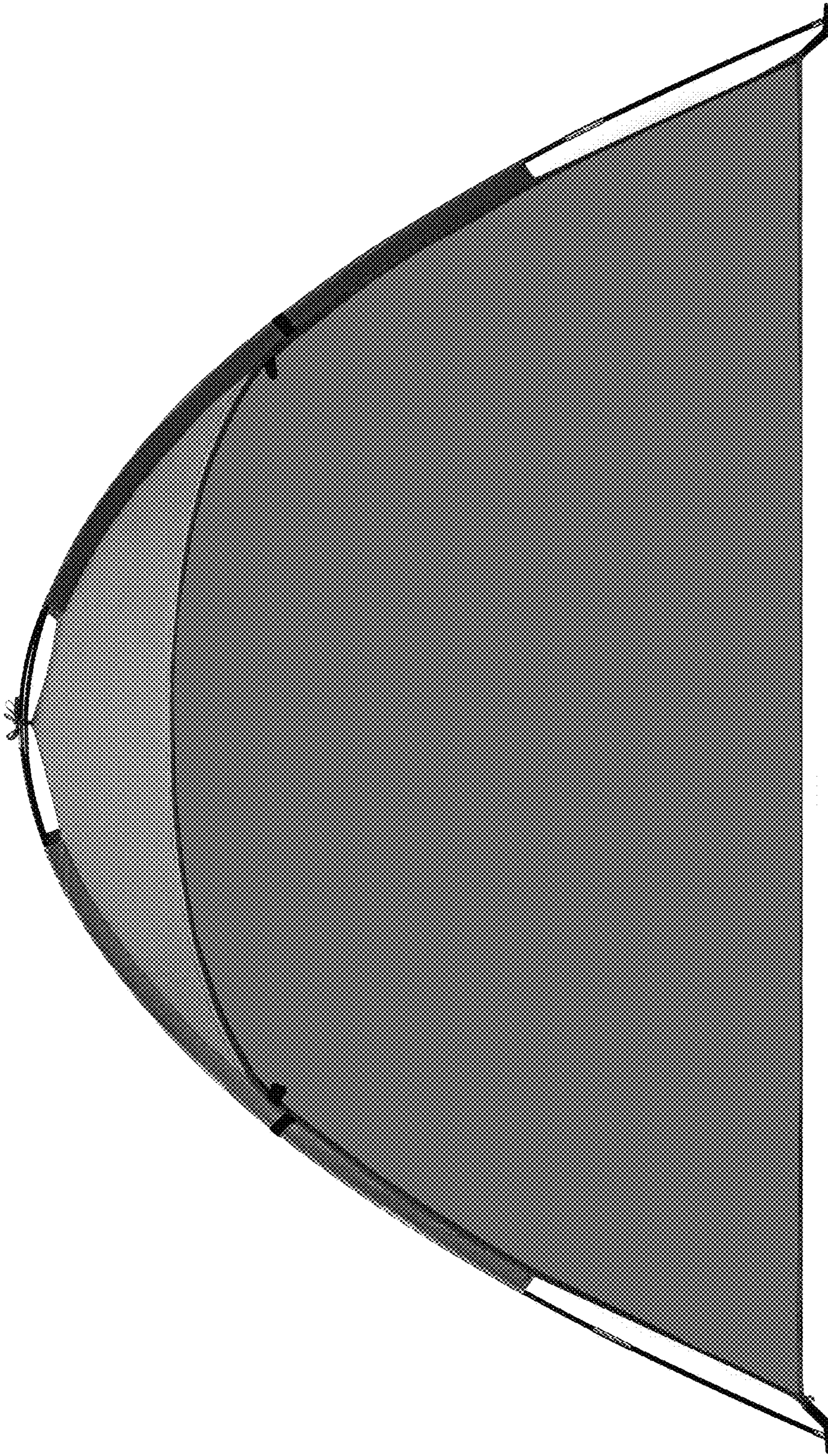


FIG. 3

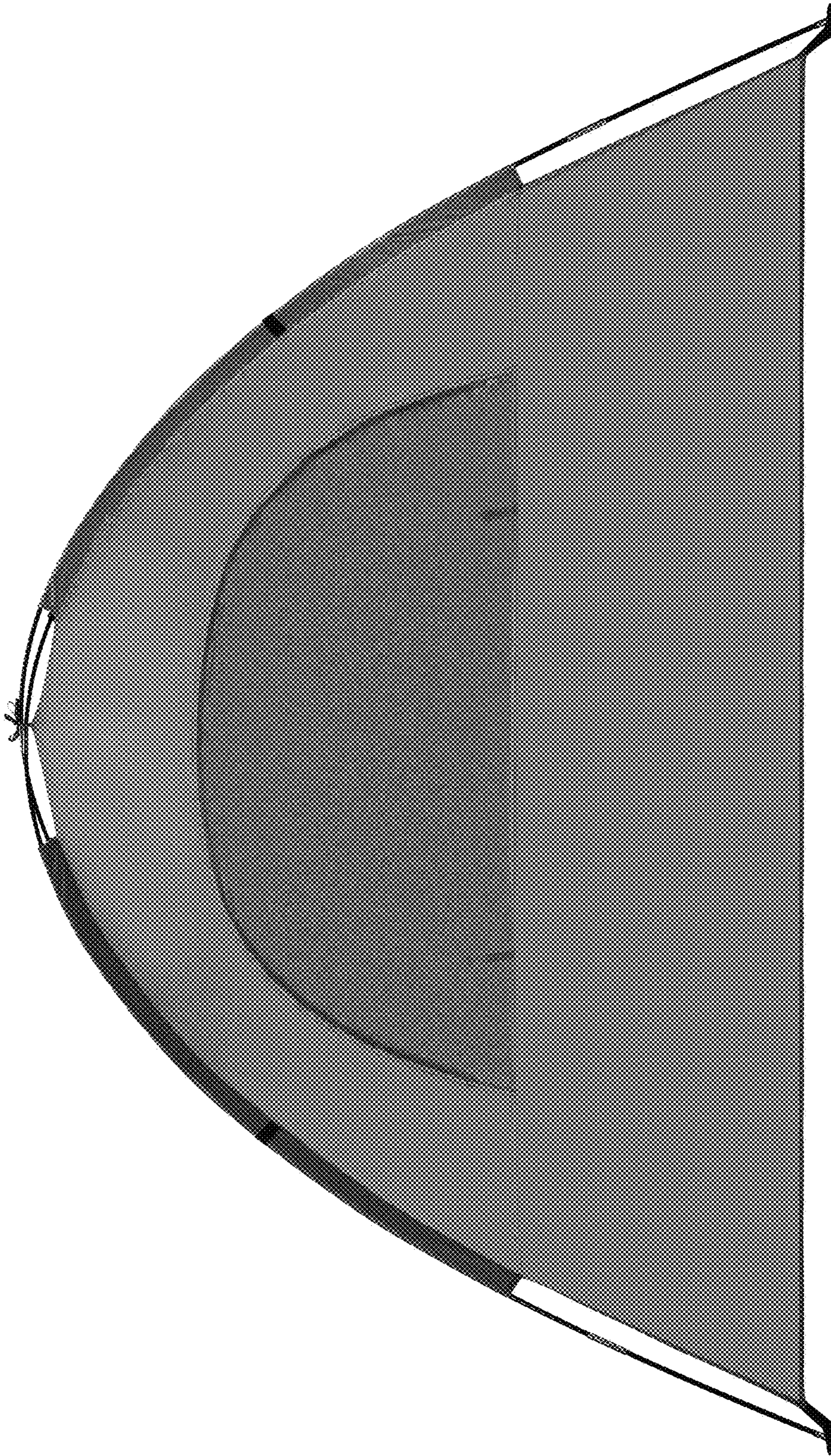


FIG. 4

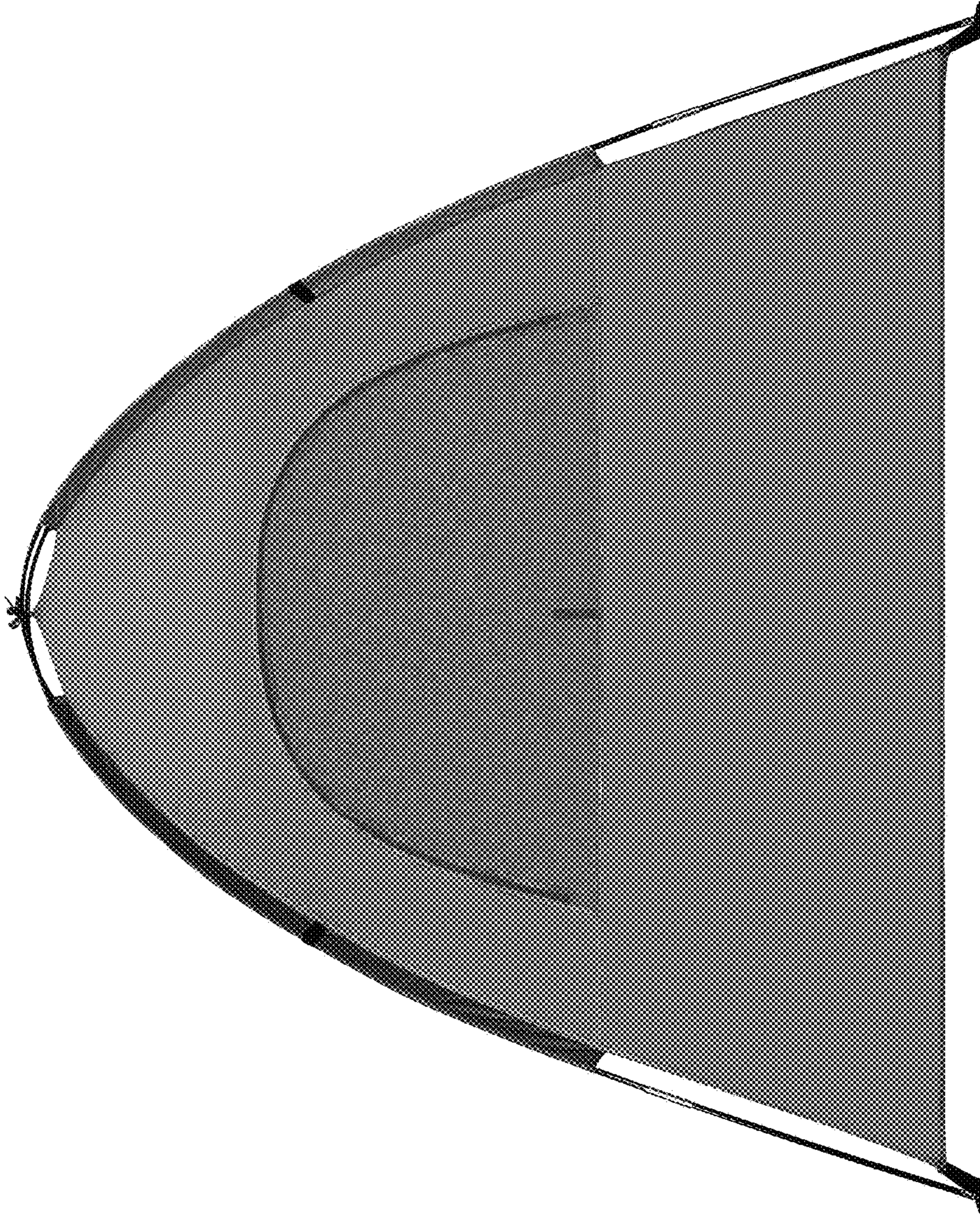


FIG. 5

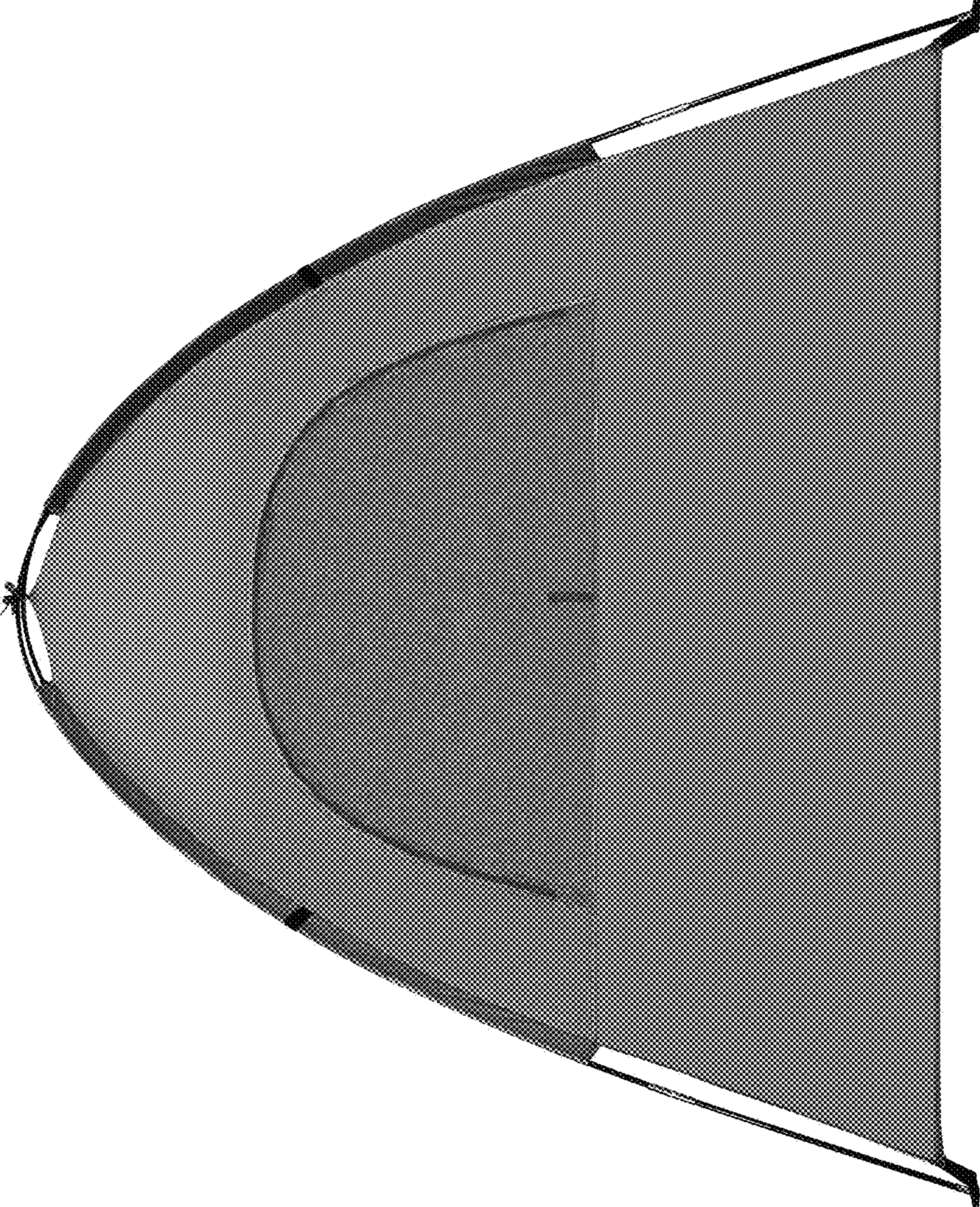


FIG. 6

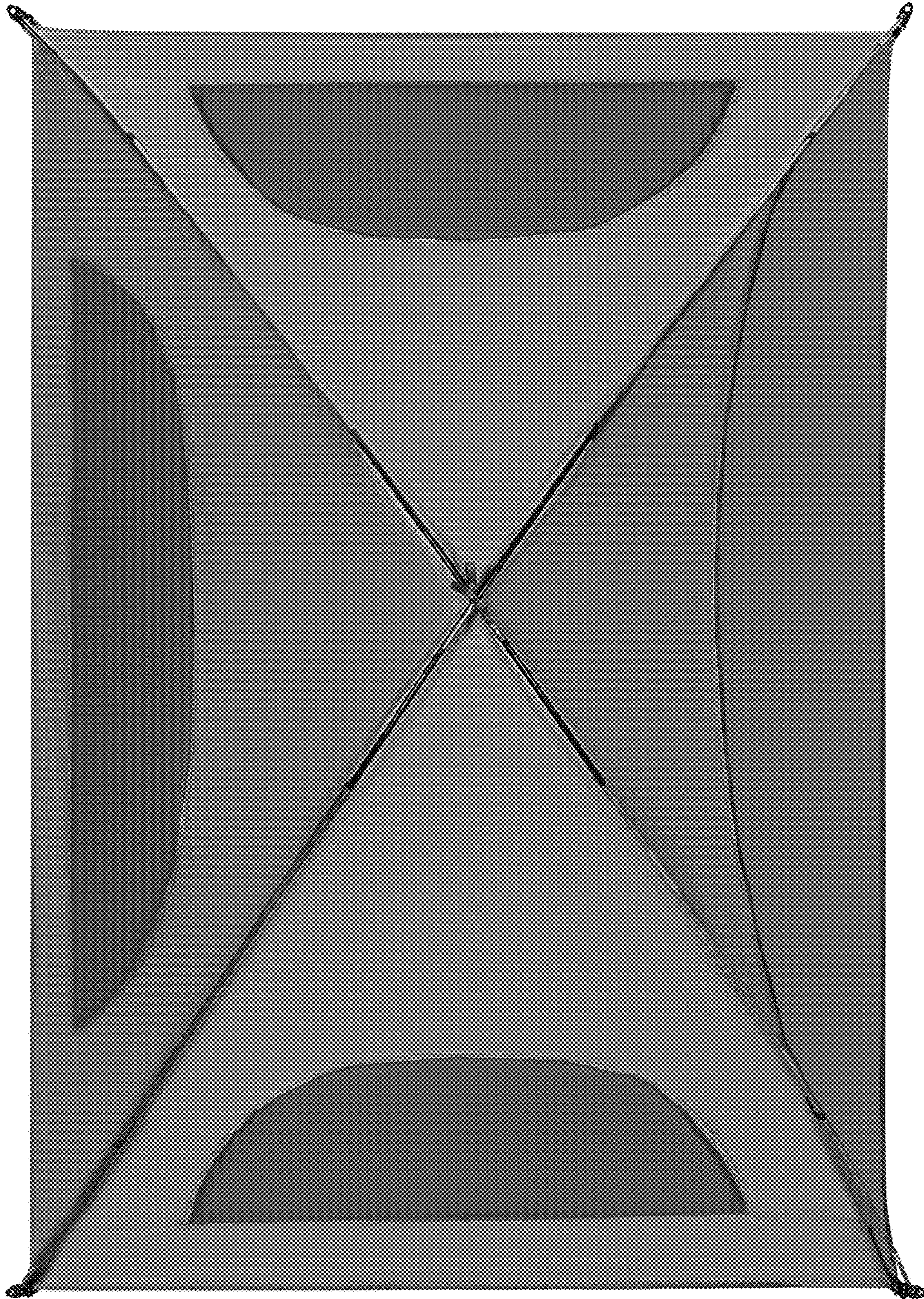


FIG. 7