



US00D973822S

(12) **United States Design Patent** (10) **Patent No.:** **US D973,822 S**
Klein (45) **Date of Patent:** **** Dec. 27, 2022**

(54) **CLIMBING DOME**
(71) Applicant: **Lil Monkey Ltd.**, Shoham (IL)
(72) Inventor: **Ido Klein**, Shoham (IL)
(**) Term: **15 Years**
(21) Appl. No.: **35/512,631**
(22) Filed: **Mar. 22, 2021**

(80) **Hague Agreement Data**
Int. Filing Date: **Mar. 22, 2021**
Int. Reg. No.: **DM/213491**
Int. Reg. Date: **Mar. 22, 2021**
Int. Reg. Pub. Date: **Sep. 24, 2021**

(51) **LOC (13) Cl.** **21-03**
(52) **U.S. Cl.**
USPC **D21/826**
(58) **Field of Classification Search**
USPC D21/811, 814, 826, 827
CPC A63B 9/00; A63B 2009/004; A63B
2009/006; A63B 2009/002; A63B
2208/12
See application file for complete search history.

(56) **References Cited**
U.S. PATENT DOCUMENTS

1,901,964 A * 3/1933 Haskell A63B 9/00
D21/826
D92,309 S * 5/1934 Horne D21/826
D92,310 S * 5/1934 Horne D21/826
D93,825 S * 11/1934 Horne D21/826
D100,562 S * 7/1936 Horne D21/826
D160,419 S * 10/1950 Packer D21/826
D187,138 S * 2/1960 Highberger D21/826
D188,201 S * 6/1960 Epstein D21/826
D219,604 S * 12/1970 Wormser D21/826
D227,792 S * 7/1973 Henning et al. D21/826
D237,398 S * 10/1975 Wormser D21/827
D289,927 S * 5/1987 Bradford D21/826

D323,370 S * 1/1992 Bryant D21/834
D394,114 S * 5/1998 Bradford D24/200
D404,786 S * 1/1999 Caron D21/827
D421,636 S * 3/2000 Manus D21/826
D426,609 S * 6/2000 Manus D21/826
D472,954 S * 4/2003 Kohler D21/826
D615,607 S * 5/2010 Hwang D21/826
D620,066 S * 7/2010 Kohler D21/826
7,833,131 B2 * 11/2010 Rote A63B 5/11
482/28
D632,355 S * 2/2011 Kohler D21/826
7,951,047 B2 * 5/2011 Kohler A63B 9/00
482/37
D729,334 S * 5/2015 Scott D21/826
D731,611 S * 6/2015 Klein D21/826
9,868,069 B2 * 1/2018 Keller A63G 1/14
D833,557 S * 11/2018 Jeffrey D21/814
D844,731 S * 4/2019 Chin D21/826

(Continued)

FOREIGN PATENT DOCUMENTS

CN 108031125 A * 5/2018 A63B 9/00
DE 20112363 U1 * 12/2001 A63B 9/00

(Continued)

OTHER PUBLICATIONS

Eezy peezy monkey bars; amazon.com; Mar. 22, 2021.*

(Continued)

Primary Examiner — Mitchell I. Siegel

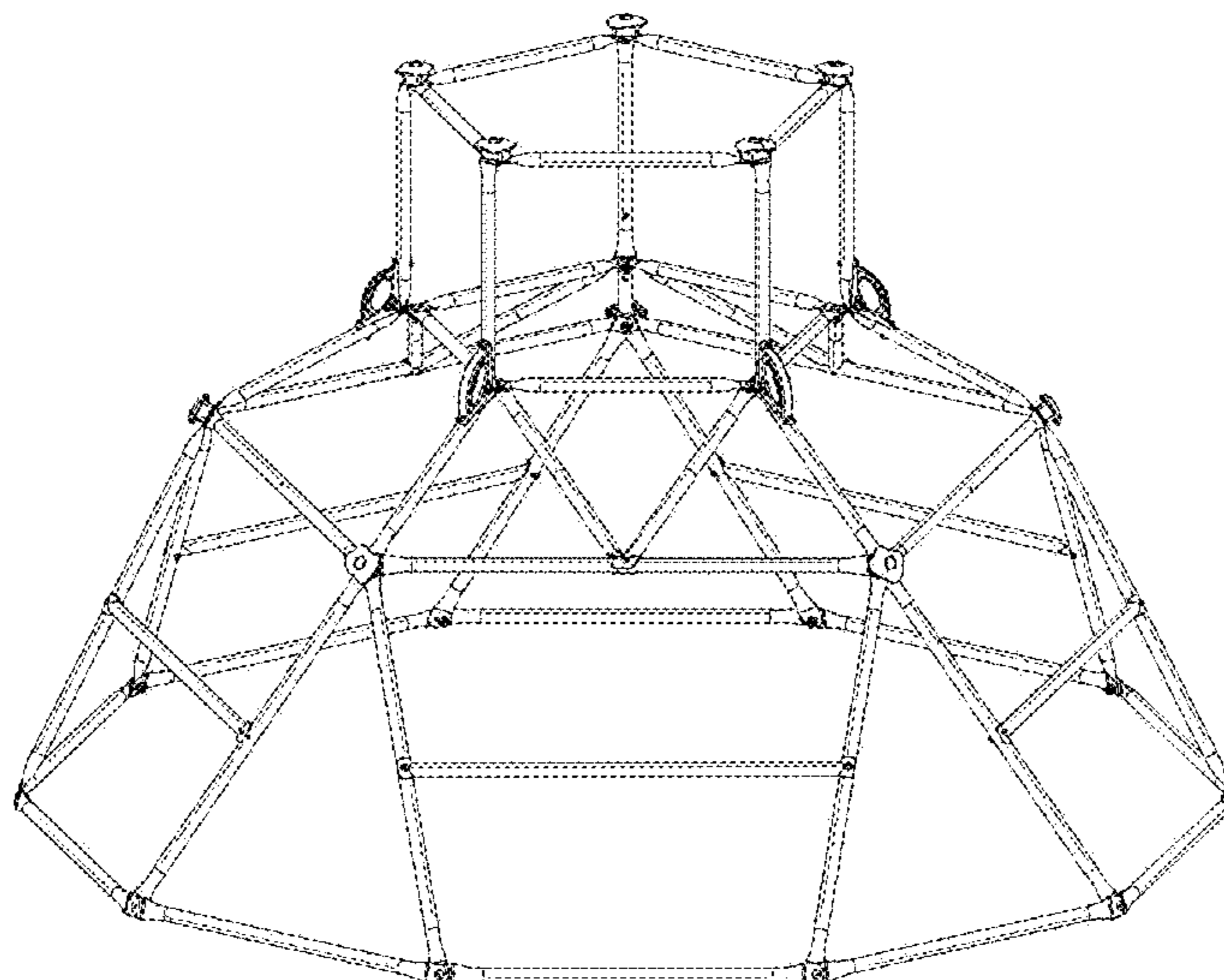
(57) **CLAIM**

The ornamental design for a climbing dome, as shown and described.

DESCRIPTION

- 1. Climbing dome
- 1.1 : Perspective (top, front)
- 1.2 : Perspective (top, 72 degrees rotated)
- 1.3 : Perspective (bottom, front)
- 1.4 : Perspective (bottom, 72 degrees rotated)

1 Claim, 4 Drawing Sheets



(56)

References Cited

U.S. PATENT DOCUMENTS

D916,996 S * 4/2021 Scott D21/826
D916,997 S * 4/2021 Scott D21/827
D919,033 S * 5/2021 Scott D21/826
D919,733 S * 5/2021 Scott D21/826
11,045,678 B1 * 6/2021 Dattner A63G 31/00
D958,284 S * 7/2022 Dattner D21/826
2005/0148436 A1 * 7/2005 Brown A63B 9/00
482/37
2017/0165583 A1 * 6/2017 Keller A63G 1/14
2021/0324940 A1 * 10/2021 Wuchterl F16G 11/02

FOREIGN PATENT DOCUMENTS

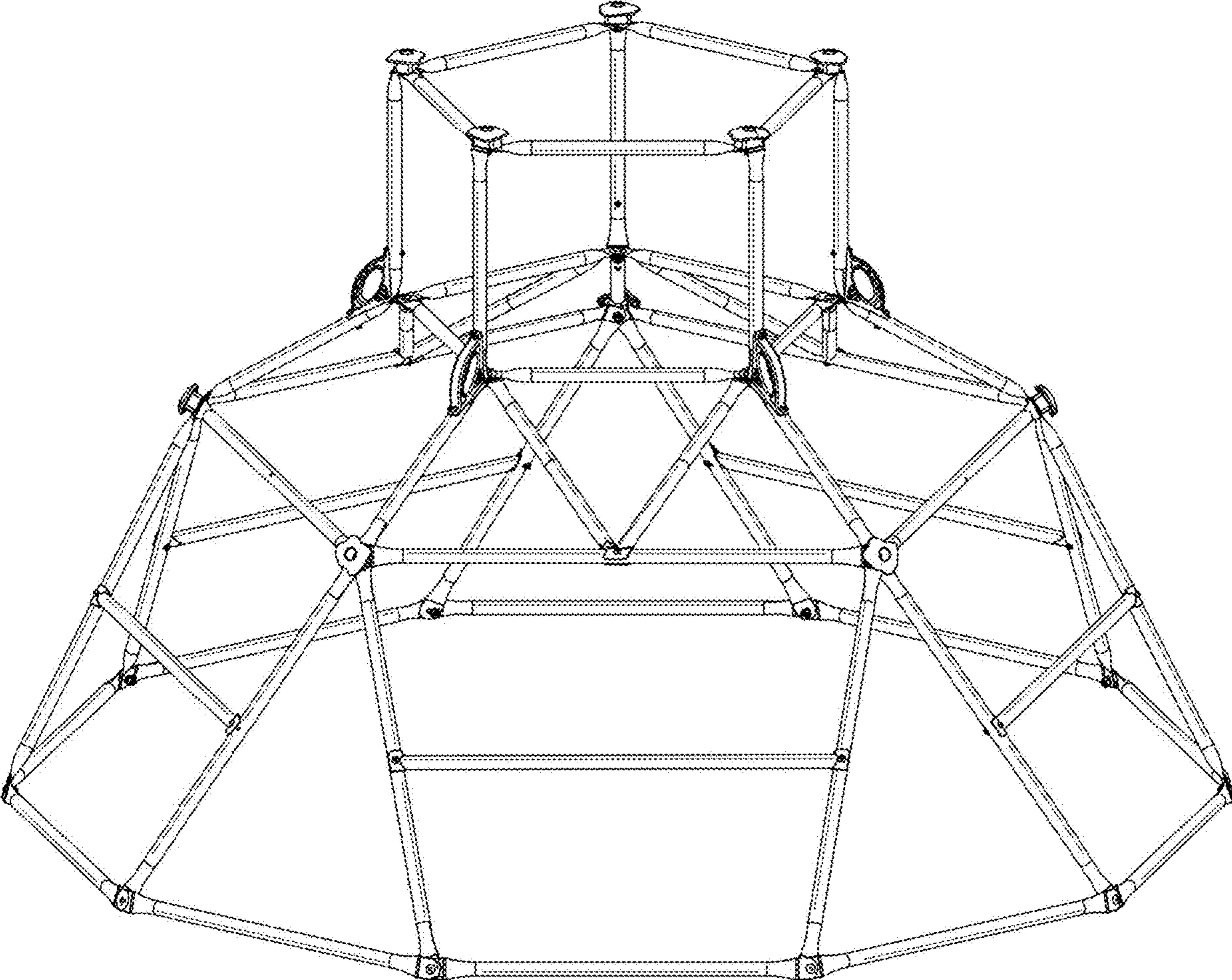
DE 10136643 A1 * 2/2003 A63B 9/00
DE 202005012211 U1 * 2/2006 A63B 9/00
DE 202008002562 U1 * 7/2008 A63B 69/0048
IL 66884 * 2/2022
WO D213491-001 * 9/2021

OTHER PUBLICATIONS

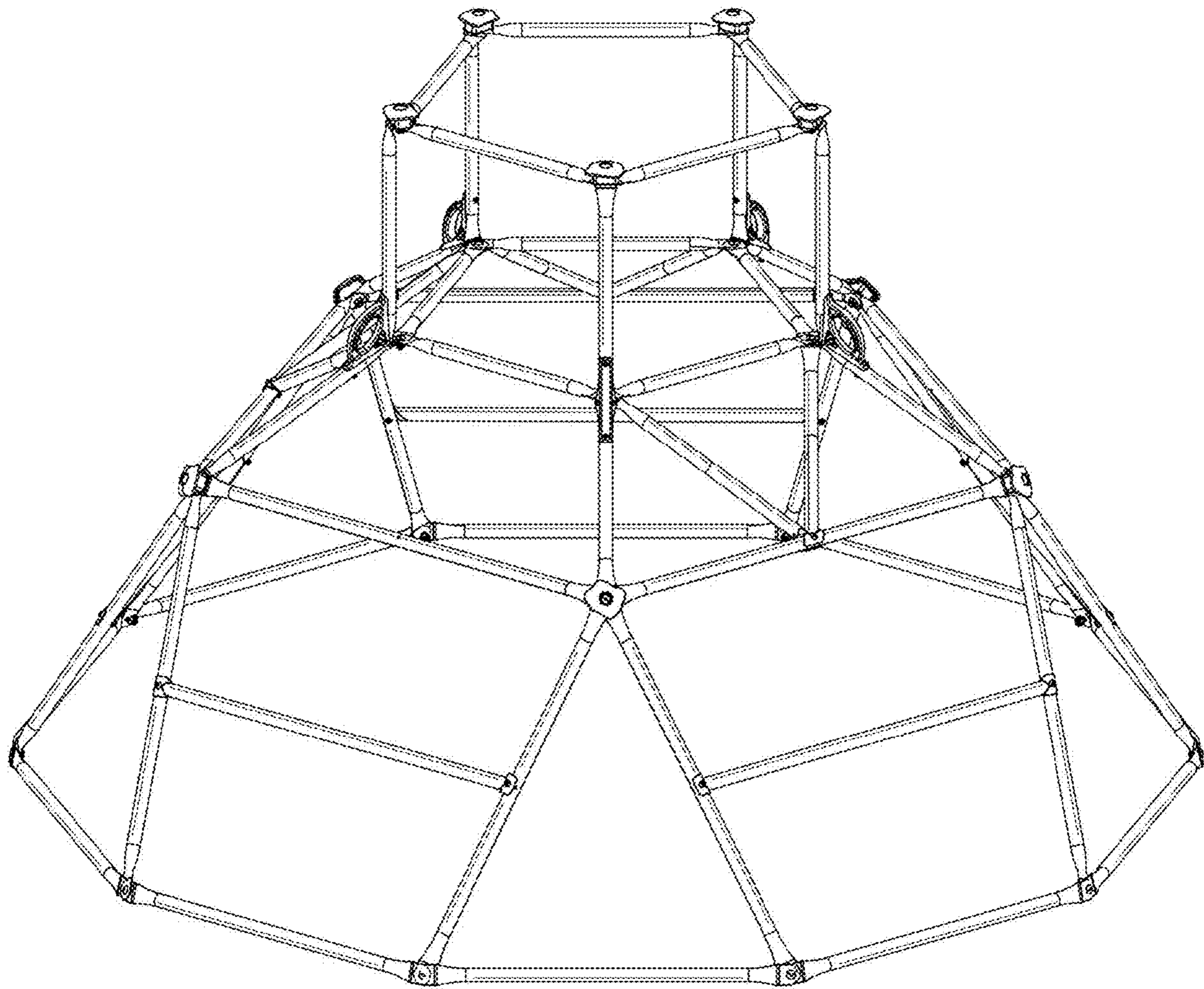
Lifetime geometric dome climber; amazon.com; Mar. 22, 2021.*
Lil' monkey dome climber; amazon.com; Mar. 22, 2021.*
Jugader climbing dome; amazon.com; Mar. 22, 2021.*
Easy outdoor space dome climber; amazon.com; Mar. 22, 2021.*
Lil' monkey dome climber; lil-monkey.com; Mar. 22, 2021.*
Climbing dome google search; google.com; Aug. 10, 2022.*

* cited by examiner

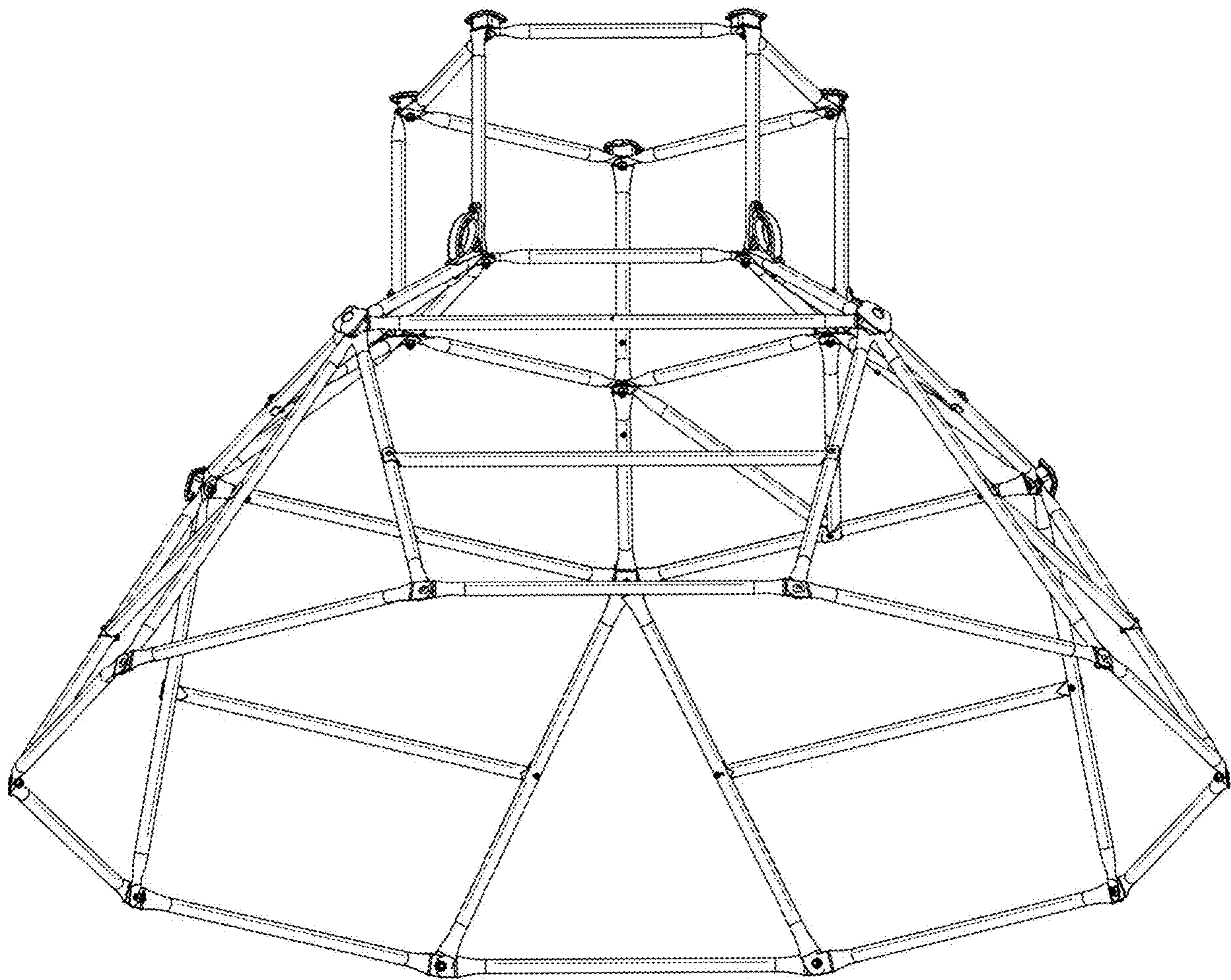
1.1



1.2



1.3



1.4

