



US00D973821S

(12) **United States Design Patent** (10) **Patent No.:** **US D973,821 S**
Schmit (45) **Date of Patent:** **** *Dec. 27, 2022**

- (54) **RECREATIONAL SLIDE**
- (71) Applicant: **Slick Slide LLC**, Phoenix, AZ (US)
- (72) Inventor: **Gary Robert Schmit**, Phoenix, AZ (US)
- (73) Assignee: **Slick Slide LLC**, Phoenix, AZ (US)
- (*) Notice: This patent is subject to a terminal disclaimer.
- (**) Term: **15 Years**
- (21) Appl. No.: **29/696,765**
- (22) Filed: **Jul. 1, 2019**
- (51) **LOC (13) Cl.** **21-02**
- (52) **U.S. Cl.**
USPC **D21/818**
- (58) **Field of Classification Search**
USPC D21/811, 814, 818-821
CPC A63G 21/00-21/22
See application file for complete search history.

- (56) **References Cited**
U.S. PATENT DOCUMENTS
- 4,394,173 A * 7/1983 Aste A63G 21/06
104/124
- D371,414 S * 7/1996 King D21/821
- D619,186 S * 7/2010 Strall D21/818
- D637,253 S * 5/2011 Hunter D21/819
- D641,823 S * 7/2011 Hunter D21/819
- D705,882 S * 5/2014 Brassard D21/821

- D705,883 S * 5/2014 Brassard D21/821
- D758,517 S * 6/2016 Gonzalez D21/818
- D806,816 S * 1/2018 Forbes D21/818
- D838,800 S * 1/2019 Ozsoz D21/819
- D844,732 S * 4/2019 Hunter D21/821
- D869,590 S * 12/2019 Sekreter D21/820
- D876,564 S * 2/2020 Hunter D21/819
- D892,960 S * 8/2020 Hunter D21/819
- D901,613 S * 11/2020 Hunter D21/819
- D903,804 S * 12/2020 Hunter D21/819
- D905,188 S * 12/2020 Hunter D21/819
- D919,732 S * 5/2021 Hunter D21/819

* cited by examiner

Primary Examiner — Mitchell I. Siegel
(74) *Attorney, Agent, or Firm* — Wood Herron & Evans LLP

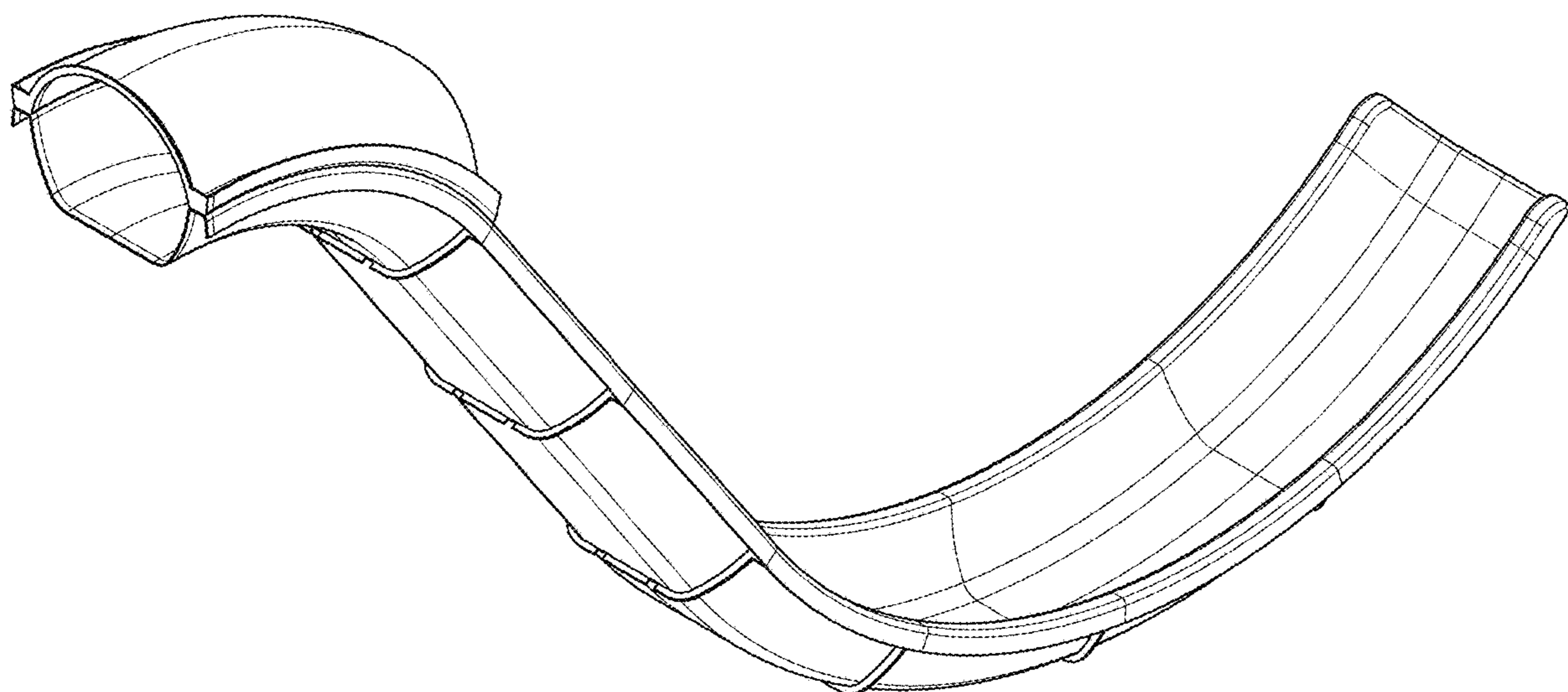
(57) **CLAIM**

The ornamental design for a recreational slide, as shown and described.

DESCRIPTION

FIG. 1: is an isometric perspective of my recreational slide design.
 FIG. 2: is a view of the right side of the slide.
 FIG. 3: is the top view of the slide.
 FIG. 4: is the front view of the slide.
 FIG. 5: is the back view of the slide.
 FIG. 6: is the underside view of the slide; and,
 FIG. 7: is the left view of the slide.

1 Claim, 7 Drawing Sheets



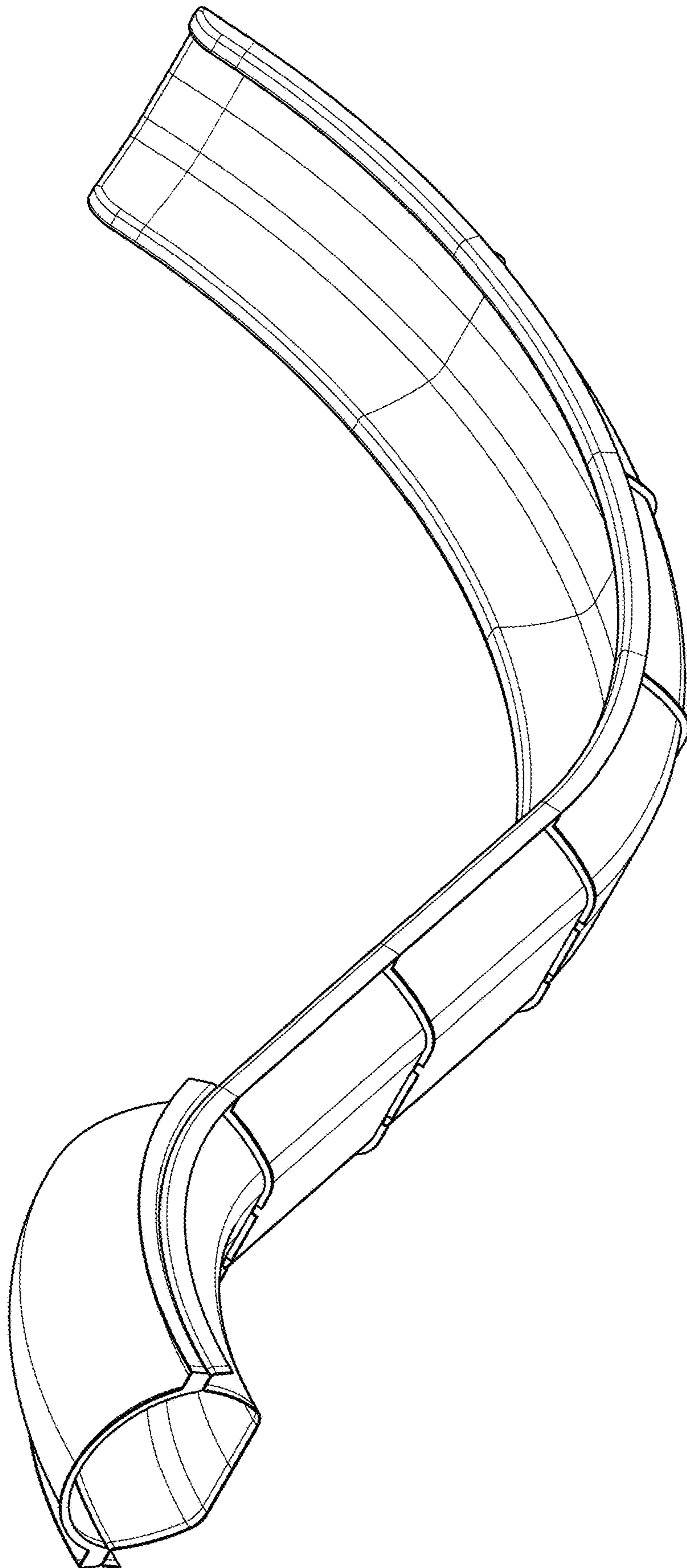


FIG. 1

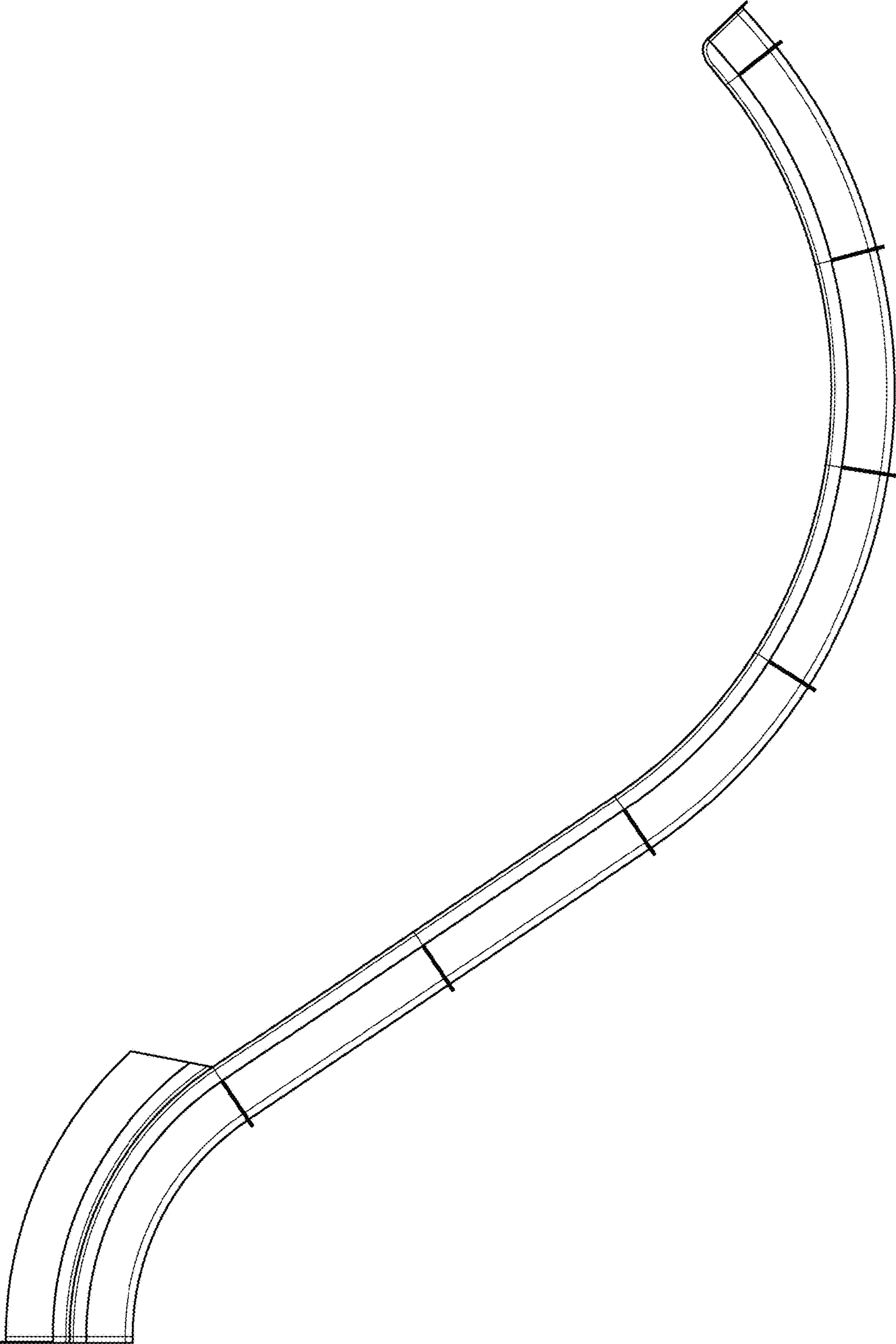


FIG. 2

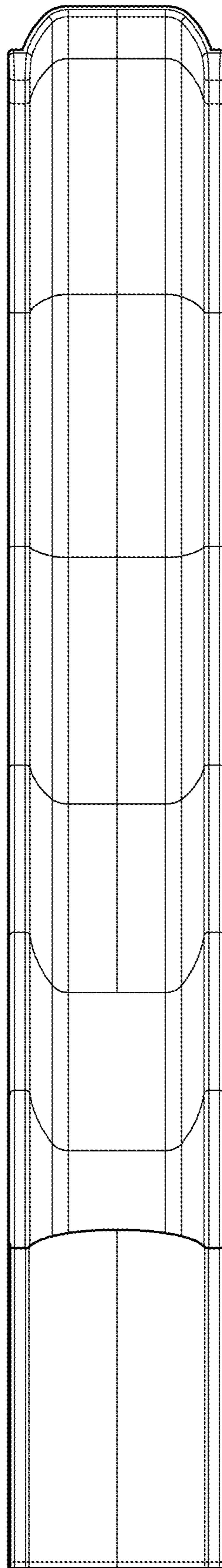


FIG. 3

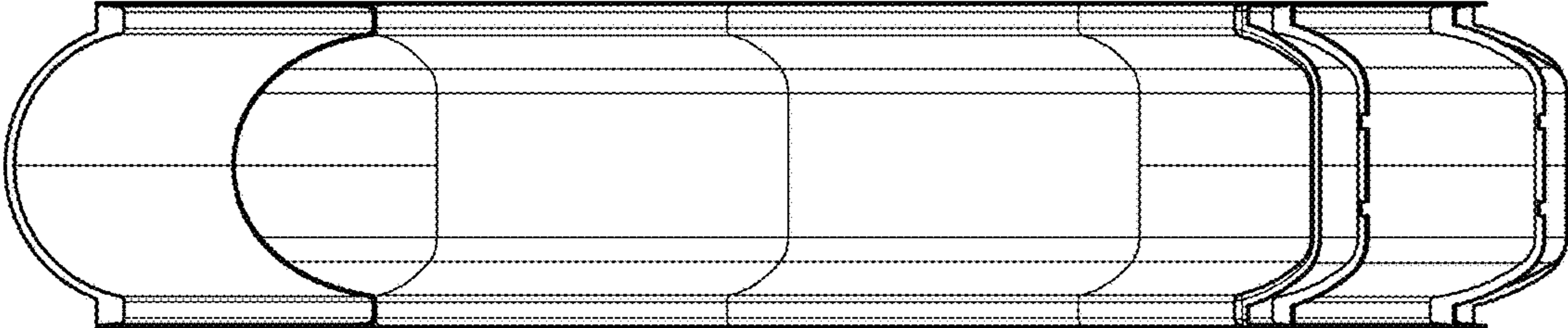


FIG. 4

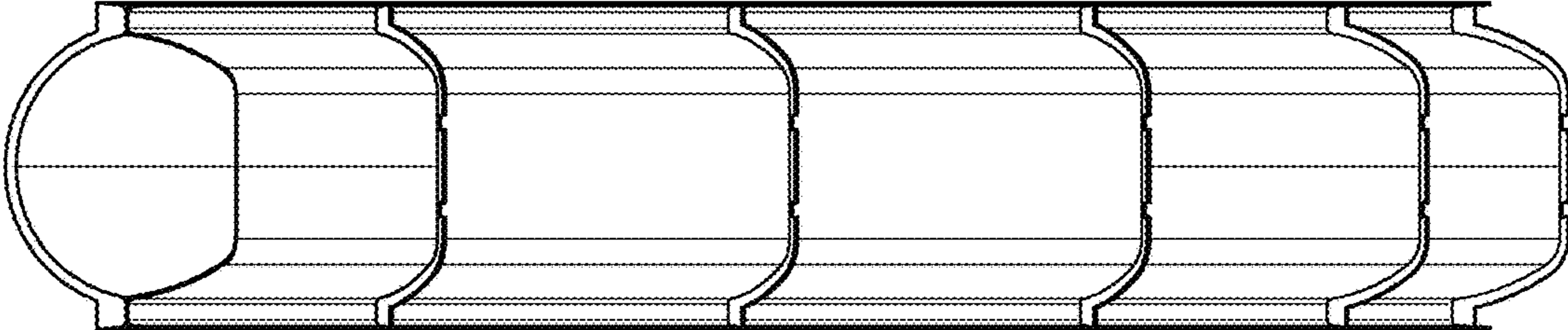


FIG. 5

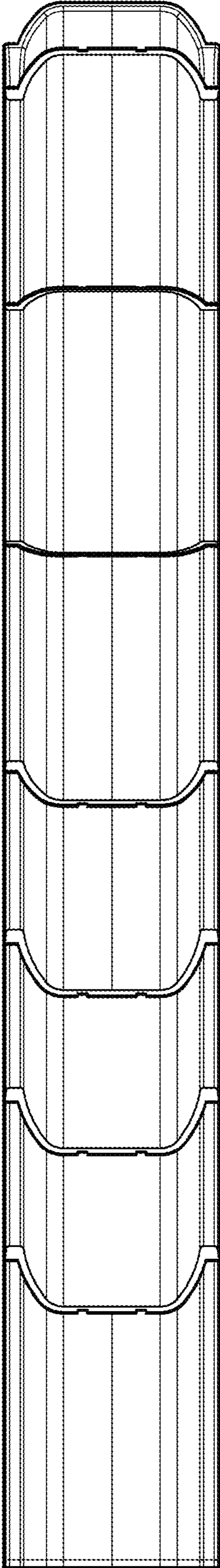


FIG. 6

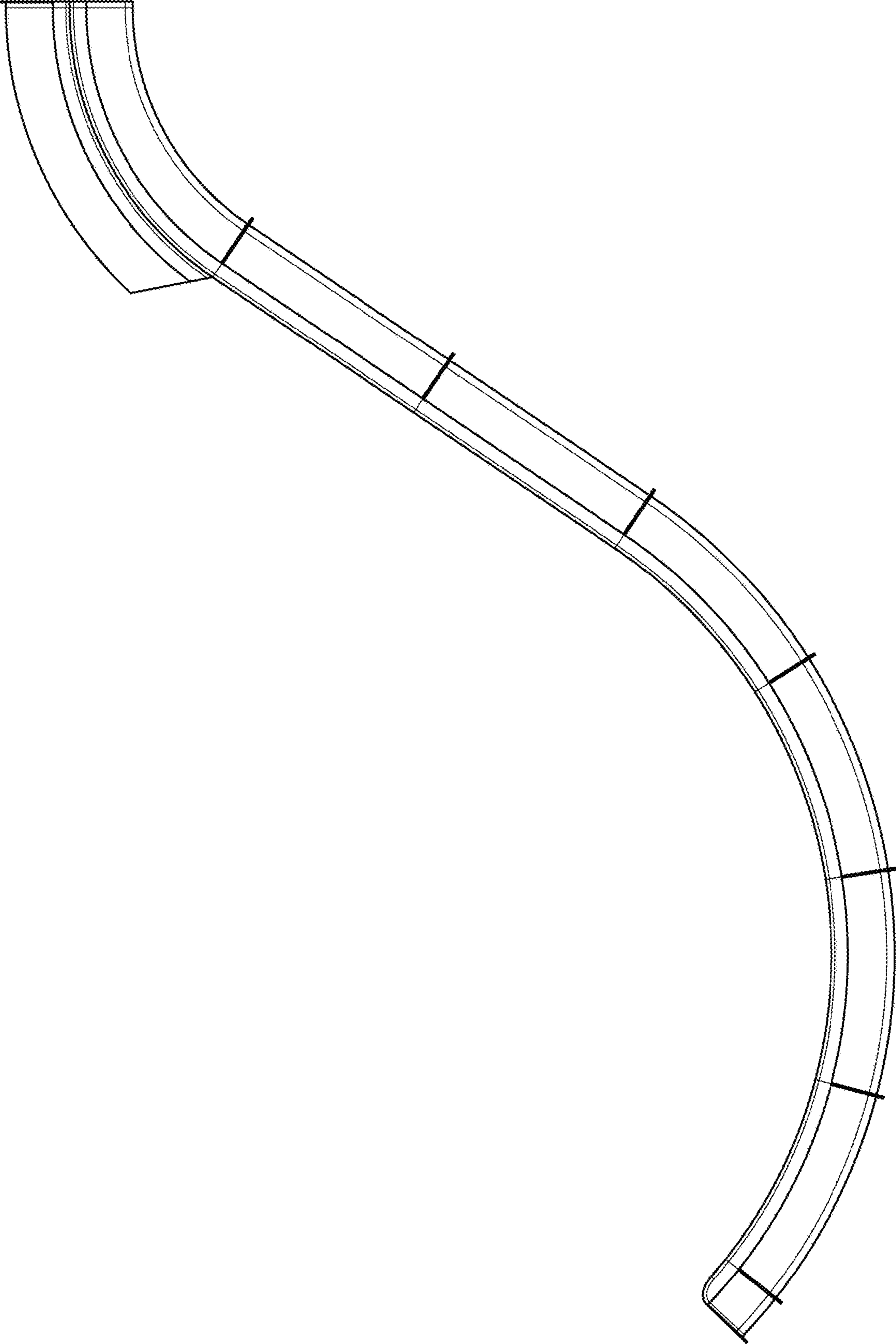


FIG. 7