



US00D973818S

(12) **United States Design Patent** (10) **Patent No.:** **US D973,818 S**
Peterson et al. (45) **Date of Patent:** **** *Dec. 27, 2022**

(54) **GOLF BALL MARKER**

OTHER PUBLICATIONS

(71) Applicant: **On Point Ball Marker LLC**, Basalt, CO (US)

Golf ball marker google search; google.com; Apr. 14, 2022.*

(Continued)

(72) Inventors: **Briston Peterson**, Basalt, CO (US);
James Joseph Verna, Basalt, CO (US)

Primary Examiner — Mitchell I. Siegel

(74) *Attorney, Agent, or Firm* — Lathrop GPM LLP

(73) Assignee: **ON POINT BALL MARKER LLC**, Basalt, CO (US)

(57) **CLAIM**

(*) Notice: This patent is subject to a terminal disclaimer.

The ornamental design for a golf ball maker, as shown and described.

(**) Term: **15 Years**

DESCRIPTION

(21) Appl. No.: **29/759,513**

(22) Filed: **Nov. 23, 2020**

Related U.S. Application Data

(60) Division of application No. 29/683,752, filed on Mar. 15, 2019, now Pat. No. Des. 907,153, which is a (Continued)

(51) **LOC (13) Cl.** **21-02**

(52) **U.S. Cl.**
USPC **D21/794**

(58) **Field of Classification Search**
USPC D21/793-794, 789
(Continued)

(56) **References Cited**

U.S. PATENT DOCUMENTS

1,541,504 A 6/1925 Hunter
1,558,078 A * 10/1925 Darby A63B 57/40
52/103

(Continued)

FOREIGN PATENT DOCUMENTS

CA 2920230 A1 2/2015
KR 20080005443 U 11/2008
KR 20090058485 A 6/2009

FIG. 1 is a perspective view of a first embodiment of a golf ball marker showing my new design;
FIG. 2 is a top plan view thereof;
FIG. 3 is a left-side elevation view thereof, with the right-side elevation view mirroring the left-side elevation view;
FIG. 4 is a front elevation view thereof, with the rear elevation view mirroring the front elevation view;
FIG. 5 is a bottom plan view thereof;
FIG. 6 is a perspective view of a second embodiment of the golf ball marker showing my new design;
FIG. 7 is a top plan view thereof;
FIG. 8 is a left-side elevation view thereof, with the right-side elevation view mirroring the left-side elevation view;
FIG. 9 is a front elevation view thereof, with the rear elevation view mirroring the front elevation view;
FIG. 10 is a bottom view thereof;
FIG. 11 is a perspective view of a third embodiment of the golf ball marker showing my new design;
FIG. 12 is a top plan view thereof;
FIG. 13 is a left-side elevation view thereof, with the right-side elevation view mirroring the left-side elevation view;
FIG. 14 is a front elevation view thereof, with the rear elevation view mirroring the front elevation view;
FIG. 15 is a bottom plan view thereof;
FIG. 16 is a perspective view of a fourth embodiment of the golf ball marker showing my new design;
FIG. 17 is a top plan view thereof;

(Continued)

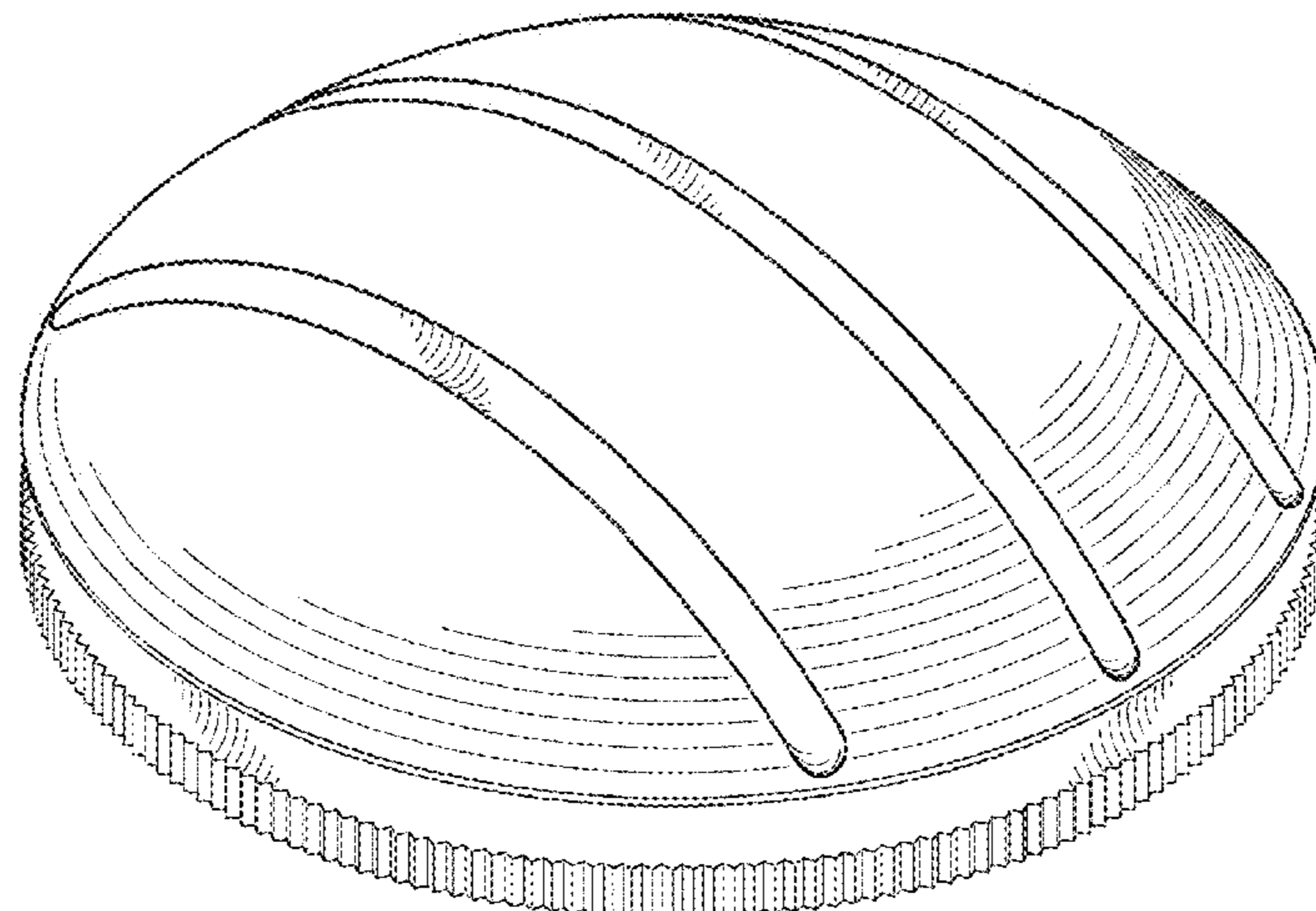


FIG. 18 is a left-side elevation view thereof, with the right-side elevation view mirroring the left-side elevation view;

FIG. 19 is a front elevation view thereof, with the rear elevation view mirroring the front elevation view; and,

FIG. 20 is a bottom plan view thereof.

1 Claim, 8 Drawing Sheets

Related U.S. Application Data

continuation-in-part of application No. 29/672,877, filed on Dec. 10, 2018, now Pat. No. Des. 889,580, which is a continuation-in-part of application No. 29/655,568, filed on Jul. 5, 2018, now Pat. No. Des. 872,817.

(58) **Field of Classification Search**

CPC A63B 57/353; A63B 57/207; A63B 57/00; A63B 57/30; A63B 57/35; A63B 57/50
See application file for complete search history.

(56) **References Cited**

U.S. PATENT DOCUMENTS

1,789,525	A *	1/1931	Hoff	E01F 9/553	404/15
2,388,463	A	11/1945	Benecke		
3,099,450	A	7/1963	Randall		
3,540,735	A	11/1970	Miller		
D220,769	S	5/1971	LaHue		
3,700,244	A	10/1972	Liotta		
3,759,527	A	9/1973	Witherspoon		
4,017,082	A	4/1977	Channing		
4,128,238	A	12/1978	Newcomb		
4,858,925	A	8/1989	Destefano, Jr.		
5,305,999	A	4/1994	Tate		
5,417,426	A	5/1995	Bayer		
D361,558	S	8/1995	Siano, Jr.		
5,437,446	A *	8/1995	Youngkin	A63B 69/3676	473/409
5,476,258	A	12/1995	Frisone		
5,478,612	A	12/1995	Hack		
D373,115	S	8/1996	Logan		
D378,516	S	3/1997	Smith		
5,743,180	A *	4/1998	Arnke	A63B 45/02	101/35
5,795,248	A	8/1998	Giglio		
D400,440	S	11/1998	Tucker		
6,077,174	A *	6/2000	Noritake	A63B 57/353	473/406
6,095,933	A	8/2000	Smith		
6,125,747	A *	10/2000	Elliott	A63B 45/02	101/35
6,383,086	B1	5/2002	Flood		
6,422,955	B1	7/2002	Lopez		
D503,085	S	3/2005	McGrath, Jr.		
D526,239	S	8/2006	Porter		
D527,066	S	8/2006	Greiner		
D533,460	S *	12/2006	Terrasi	D9/600	
D540,902	S	4/2007	Regalado		
D554,725	S *	11/2007	Park	D21/793	
D588,670	S	3/2009	Walz		
7,549,930	B2	6/2009	Rice		
D605,719	S	12/2009	Bernal-Silva		

D607,527	S	1/2010	Bernal-Silva		
7,654,920	B2 *	2/2010	Perry	A63B 45/02	473/408
D616,953	S *	6/2010	Shinki	D21/794	
D622,799	S *	8/2010	Cameron	A63B 59/50	D21/794
7,819,762	B2	10/2010	Bernal-Silva		
D630,284	S	1/2011	Desrosiers		
D632,351	S *	2/2011	Scott	D21/794	
7,922,605	B2	4/2011	Lim		
8,016,698	B2 *	9/2011	Cameron	A63B 57/50	473/406
8,057,326	B2	11/2011	Woodbury		
8,083,616	B2 *	12/2011	Cameron	A63B 59/50	473/406
D654,539	S	2/2012	Hobbs		
D661,761	S *	6/2012	Cameron	D21/794	
8,216,091	B2	7/2012	Neal		
8,313,393	B1	11/2012	Toxen		
D704,291	S *	5/2014	Snyder	D21/794	
D721,152	S *	1/2015	Kokoska	D21/794	
D736,334	S	8/2015	Perry		
D741,972	S	10/2015	McDevitt		
D816,178	S	4/2018	Goserud		
D837,325	S *	1/2019	Dardenne	D21/793	
D849,508	S	5/2019	Shorr		
D872,817	S *	1/2020	Peterson	D21/794	
D889,580	S *	7/2020	Peterson	D21/794	
D892,248	S	8/2020	Beard		
D895,754	S *	9/2020	Leposky	D21/794	
D897,471	S *	9/2020	Leposky	D21/794	
D907,153	S *	1/2021	Peterson	D21/794	
D914,821	S	3/2021	Leposky		
D917,645	S *	4/2021	Leposky	D21/794	
11,135,489	B2 *	10/2021	Peterson	A63B 69/3676	
D943,042	S *	2/2022	Peterson	D21/794	
D947,305	S *	3/2022	Leposky	D21/794	
D947,306	S *	3/2022	Leposky	D21/794	
D947,308	S *	3/2022	Leposky	D21/794	
2009/0305817	A1 *	12/2009	Cameron	A63B 59/50	473/406
2009/0305818	A1 *	12/2009	Cameron	A63B 57/353	473/406
2011/0053711	A1	3/2011	Trafford		
2012/0210615	A1	8/2012	Coney		
2015/0065271	A1	3/2015	Peterson		
2017/0087436	A1	3/2017	Peterson		
2017/0164152	A1	6/2017	Rosenthal		
2018/0345101	A1	12/2018	Youn		
2019/0282874	A1	9/2019	Horner et al.		

OTHER PUBLICATIONS

On point golf ball marker; golfersauthority.com; Apr. 14, 2022.*
U.S. Appl. No. 16/358,265, Non final Office Action dated Mar. 31, 2020, 15 pp.
U.S. Appl. No. 29/672,877, Notice of Allowance dated Jun. 4, 2020, 11 pp.
U.S. Appl. No. 16/358,265, Office Action dated Aug. 25, 2020, 11 pp.
U.S. Appl. No. 16/358,265, Final Office Action dated Feb. 3, 2021, 7 pp.
U.S. Appl. No. 29/720,443, Non final Office Action dated May 11, 2021, 9 pp.
U.S. Appl. No. 29/720,443, Notice of Allowance, dated Sep. 29, 2021, 5 pages.
U.S. Appl. No. 29/740,638, Notice of Allowance, dated Dec. 1, 2021, 16 pages.

* cited by examiner

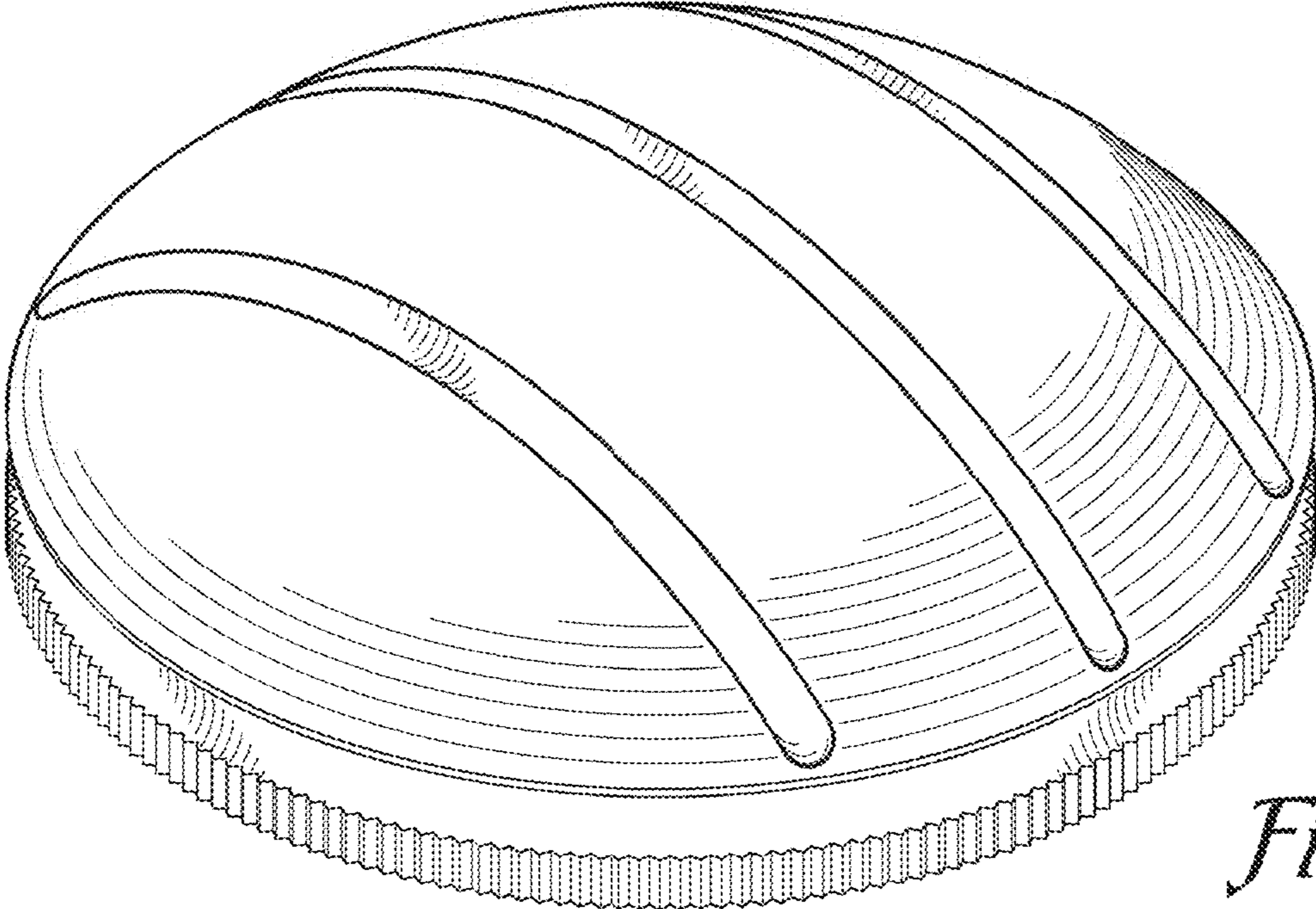


Fig. 1

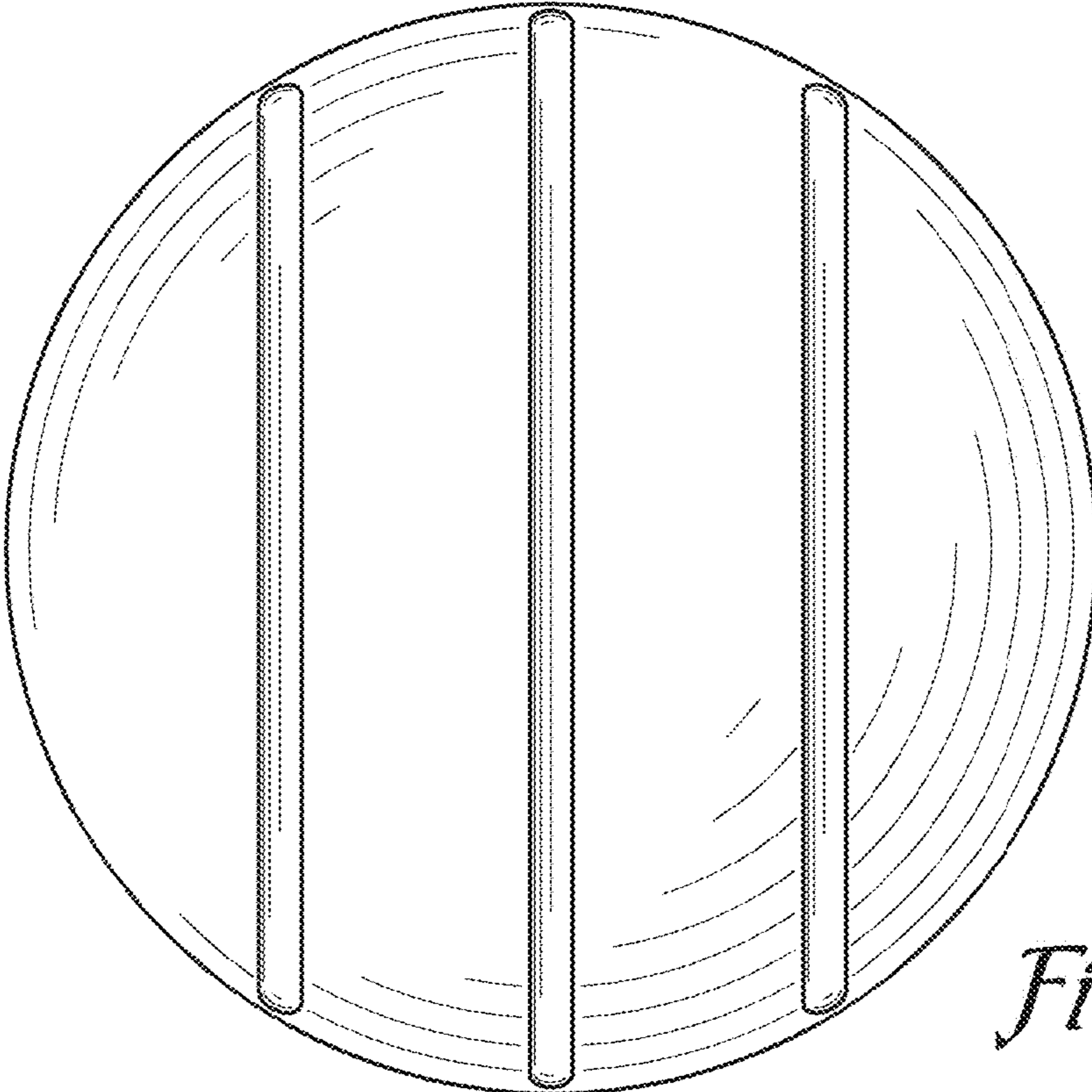


Fig. 2

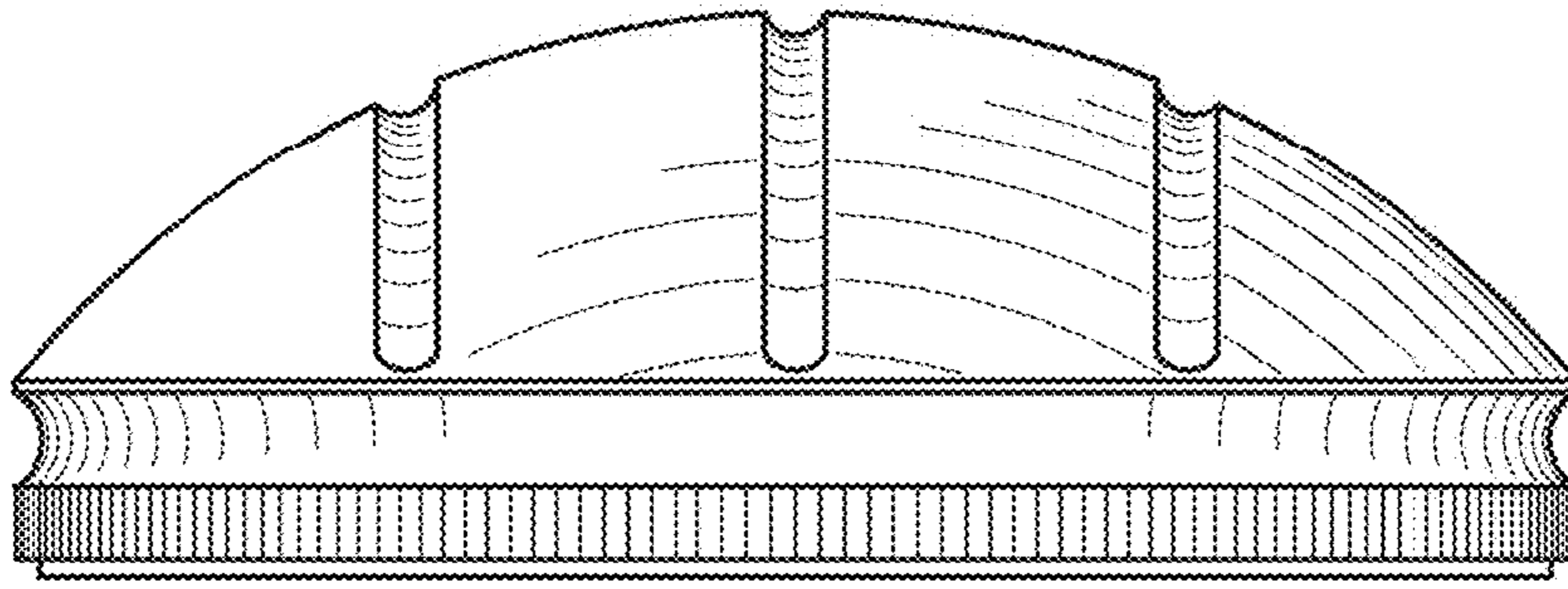


Fig. 3

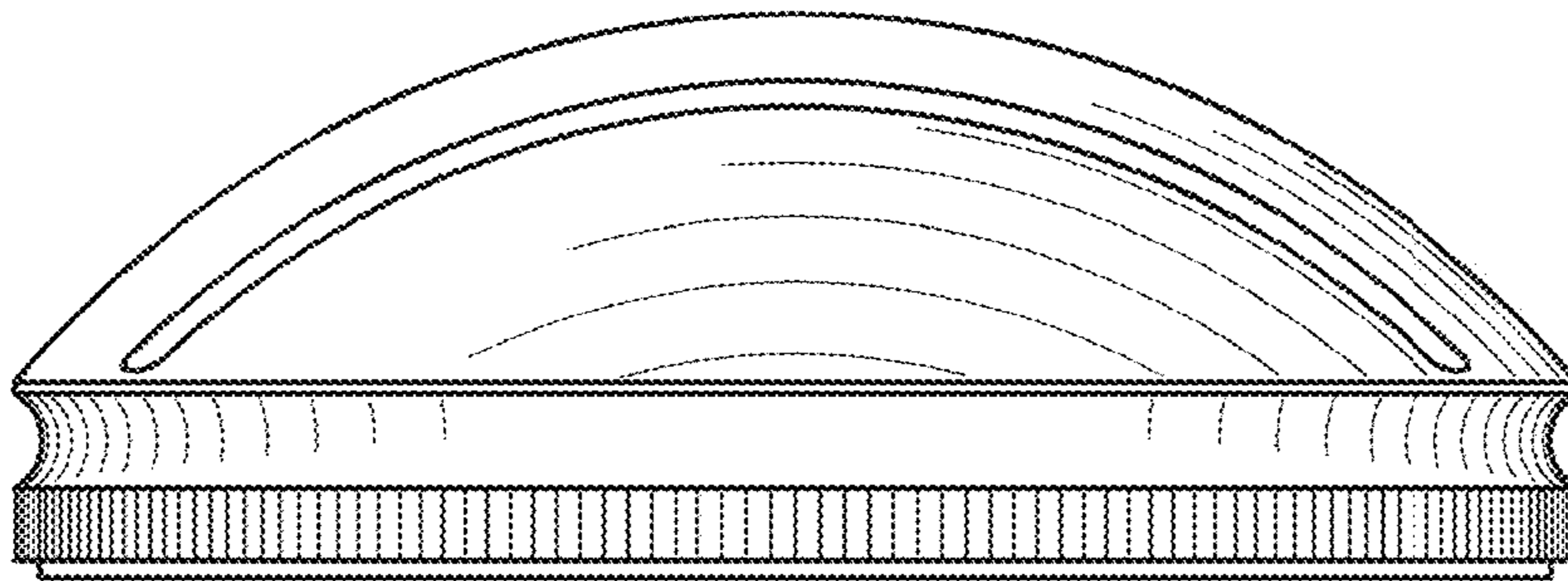


Fig. 4

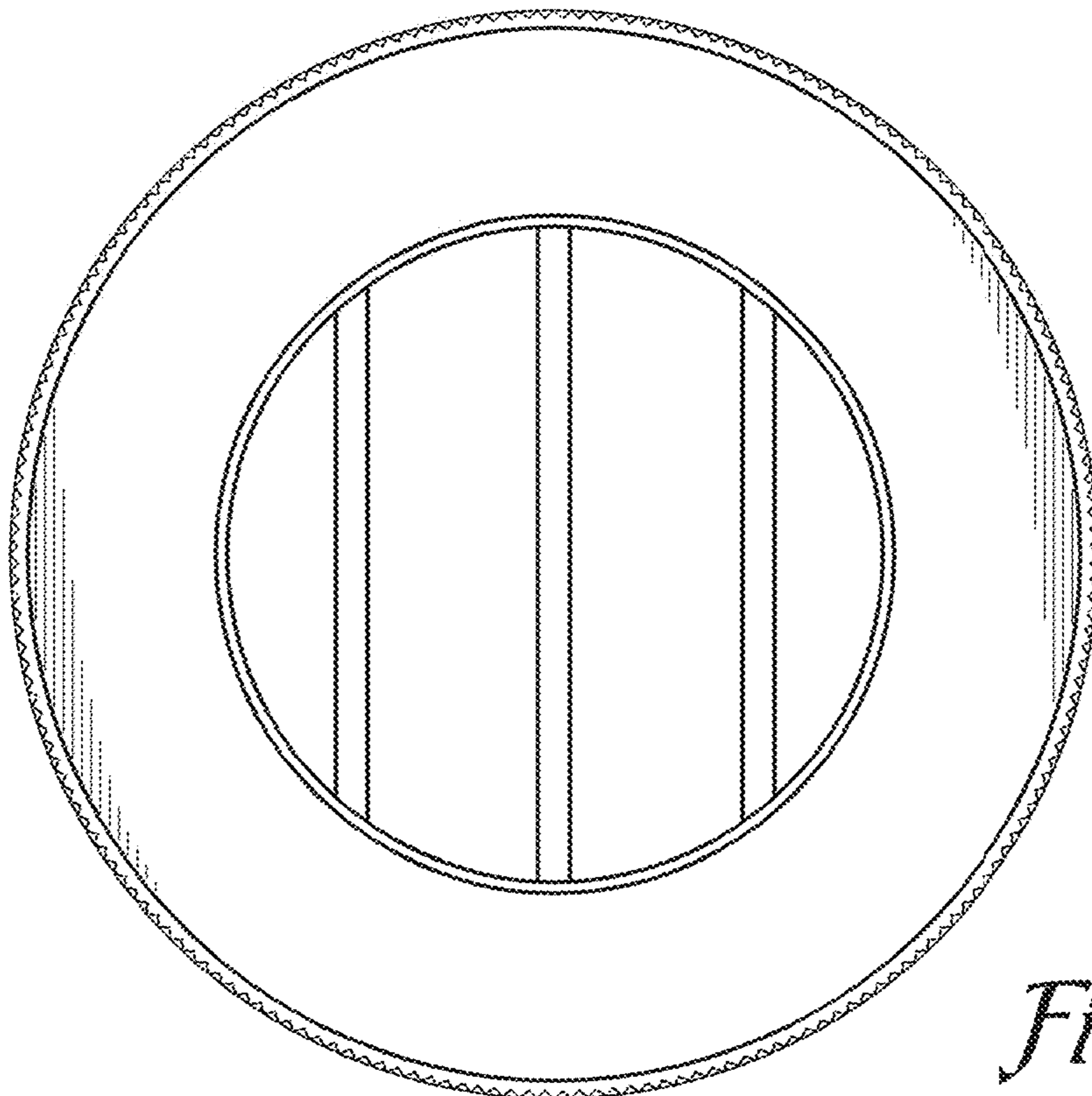


Fig. 5

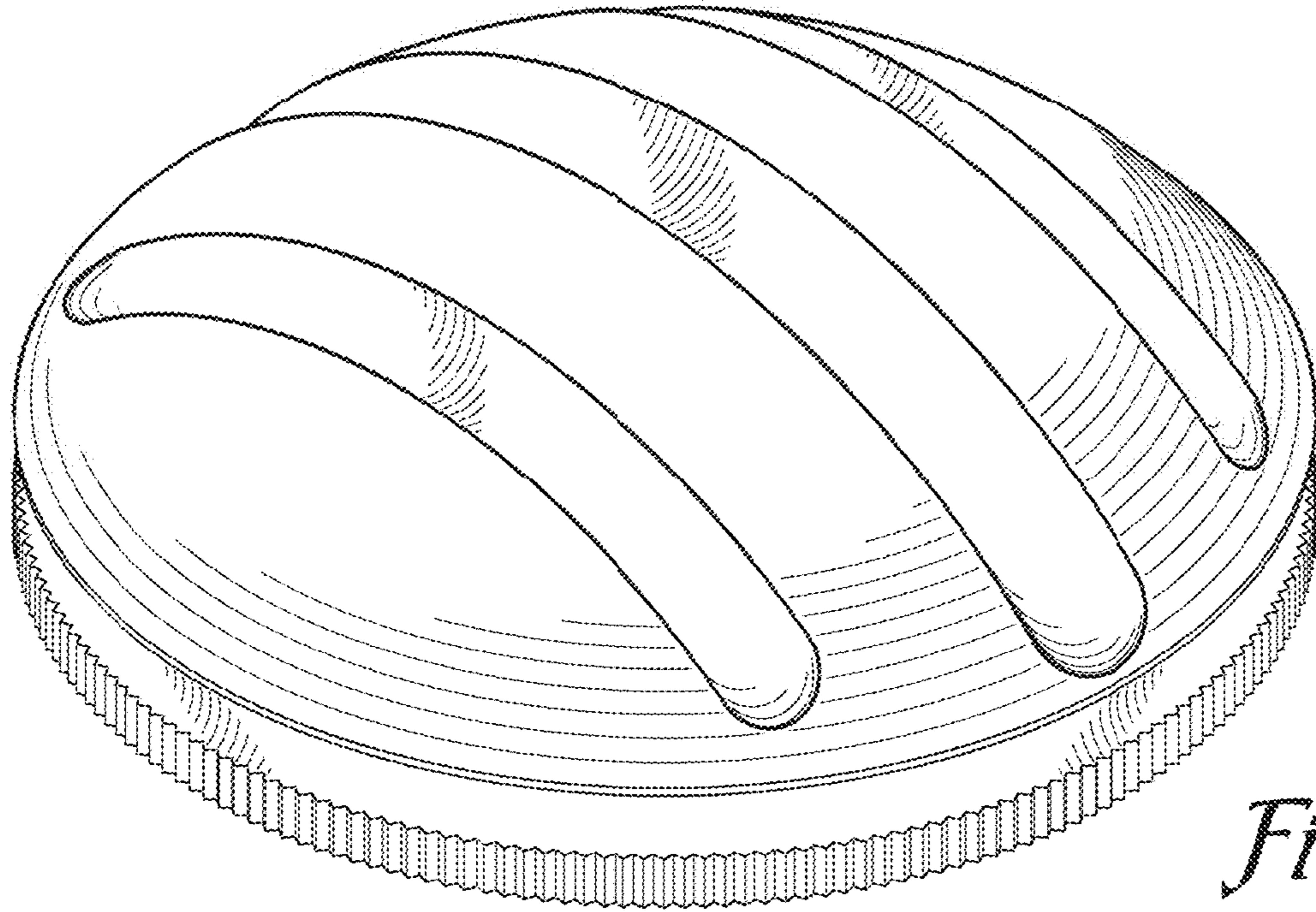


Fig. 6

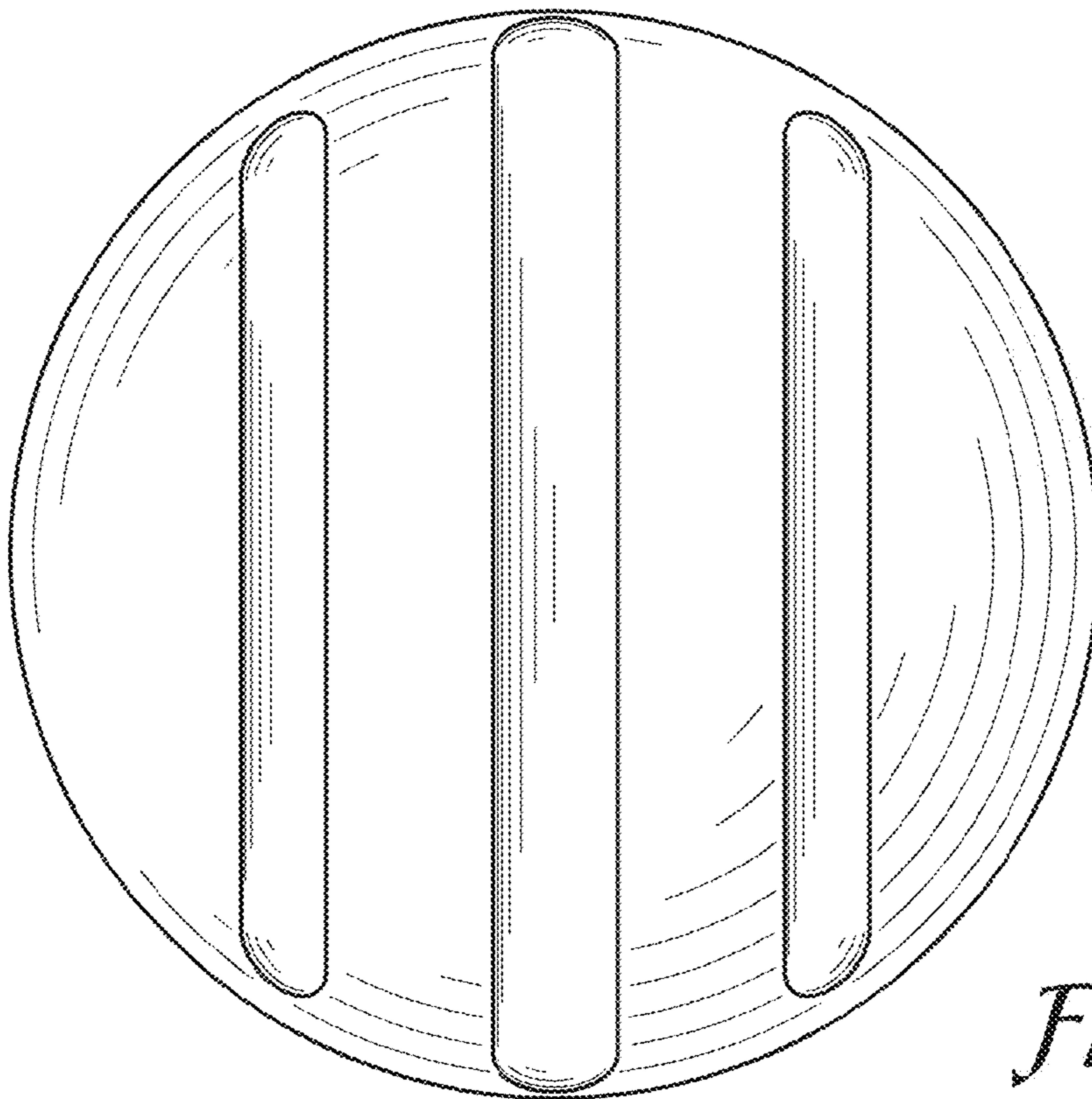


Fig. 7

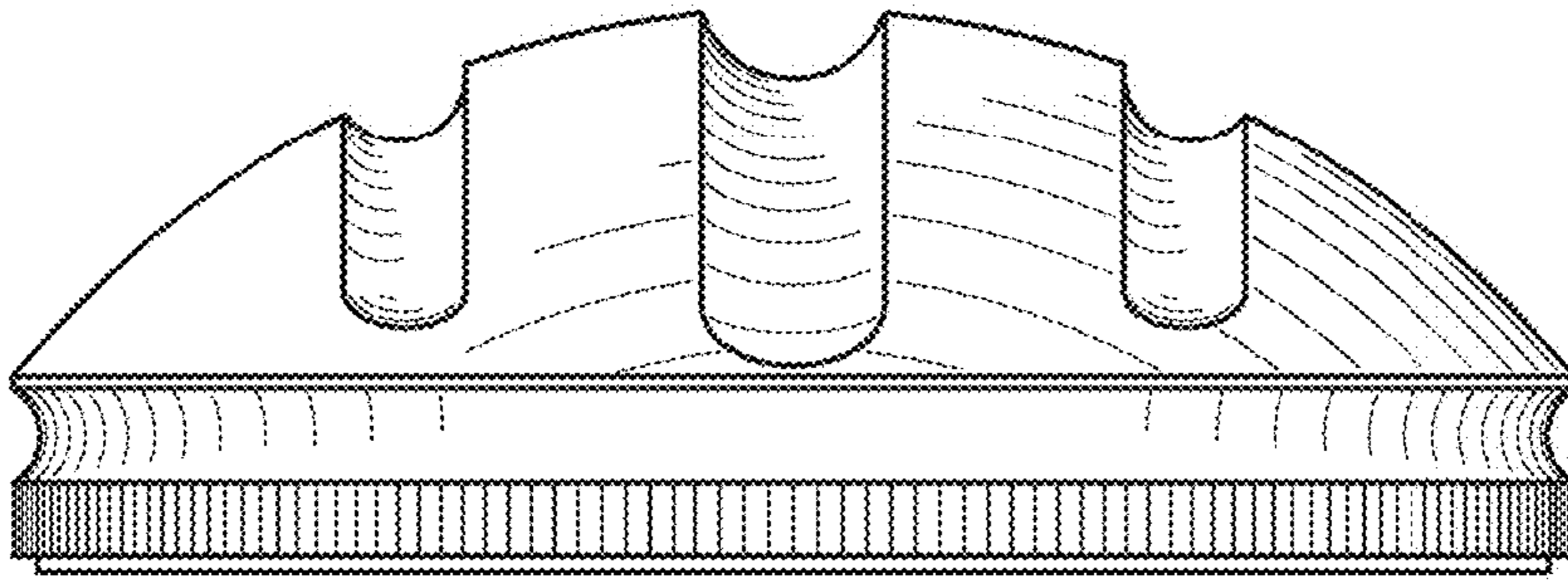


Fig. 8

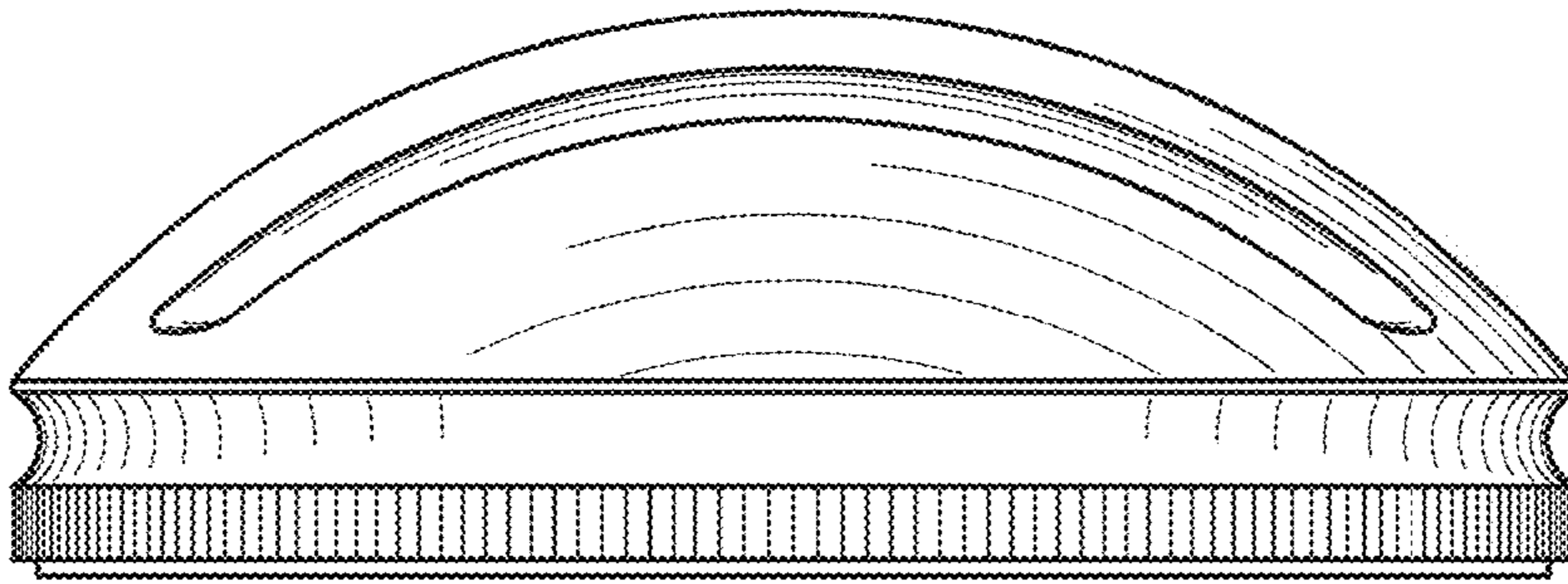


Fig. 9

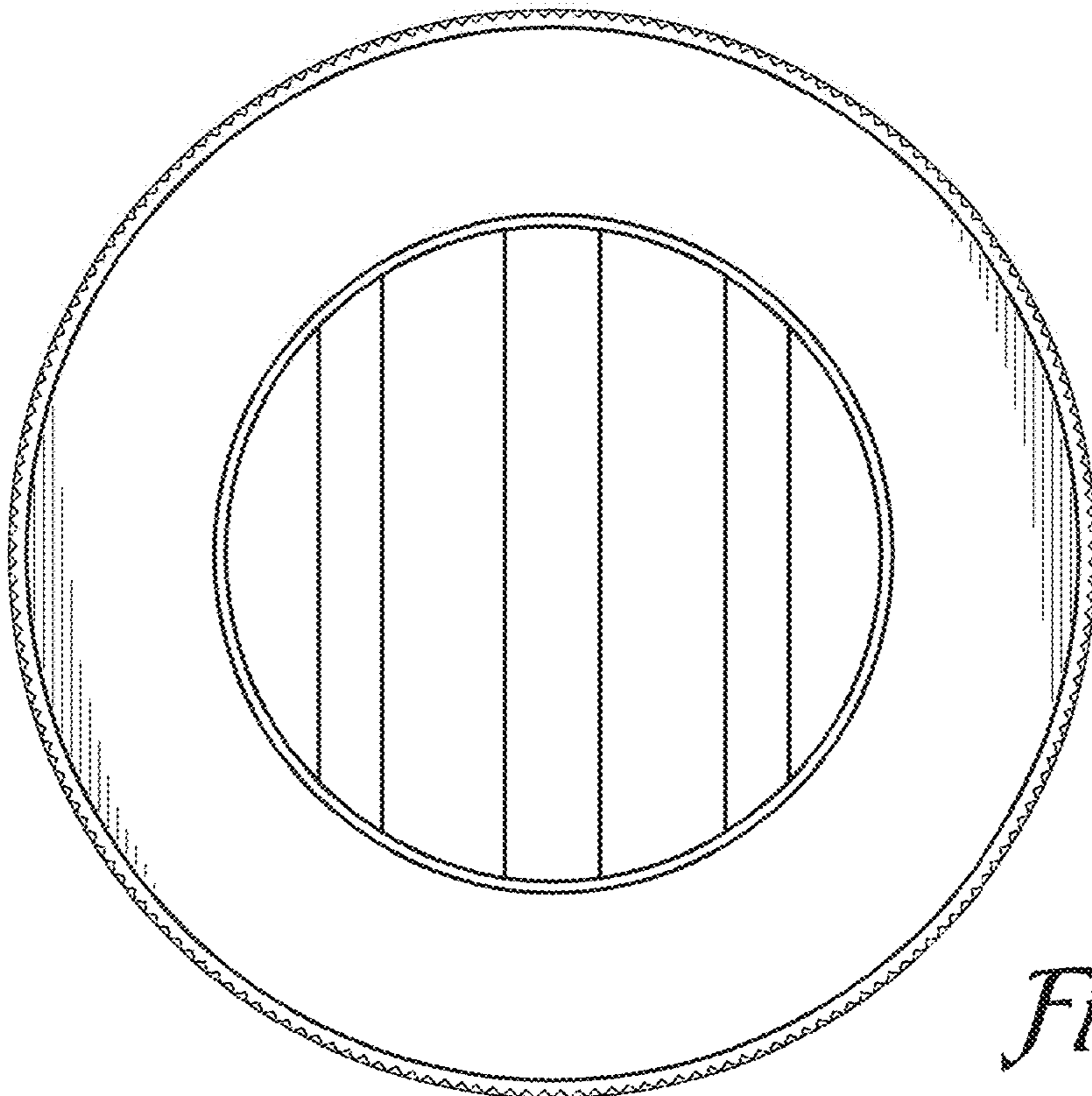


Fig. 10

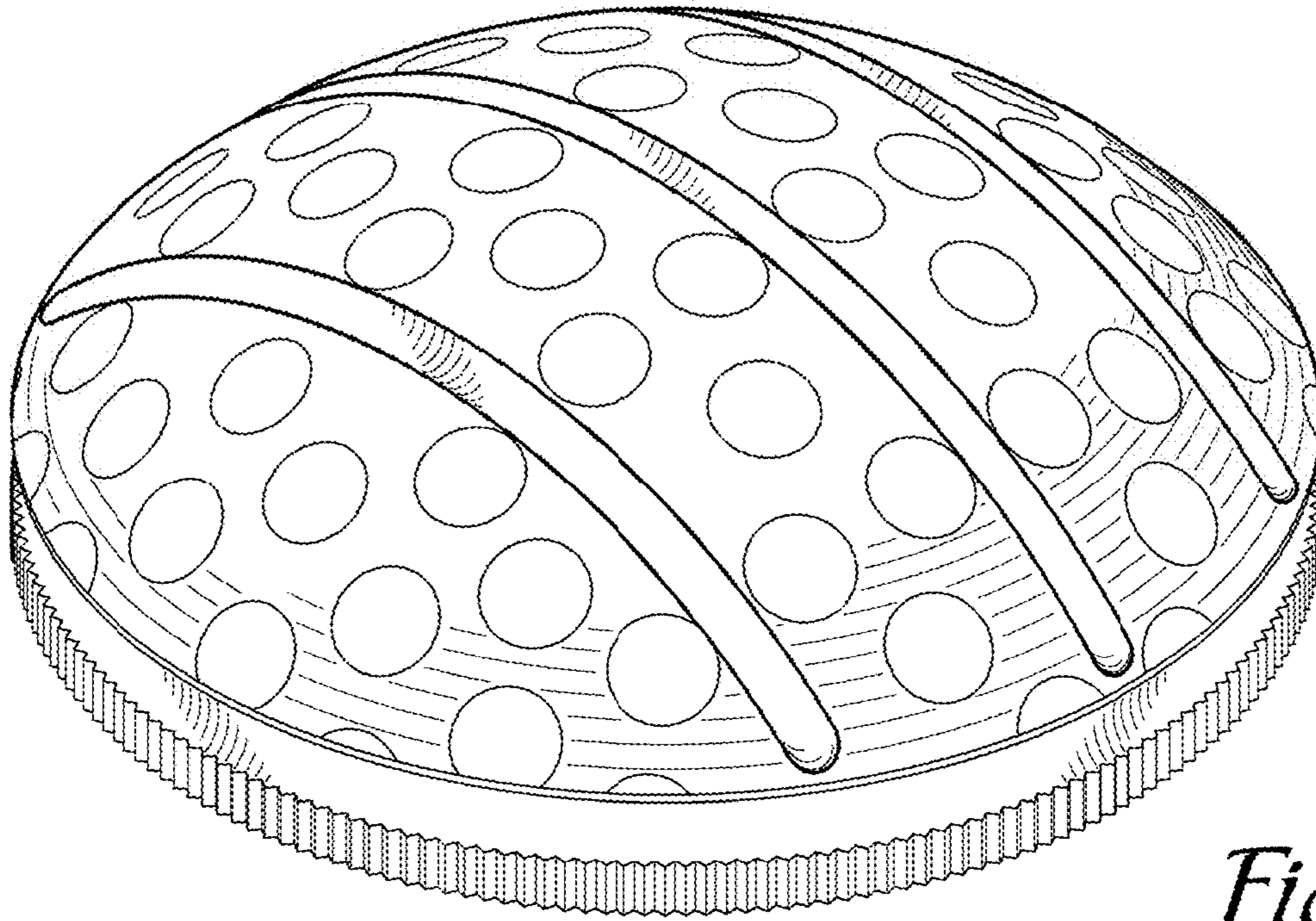


Fig. 11

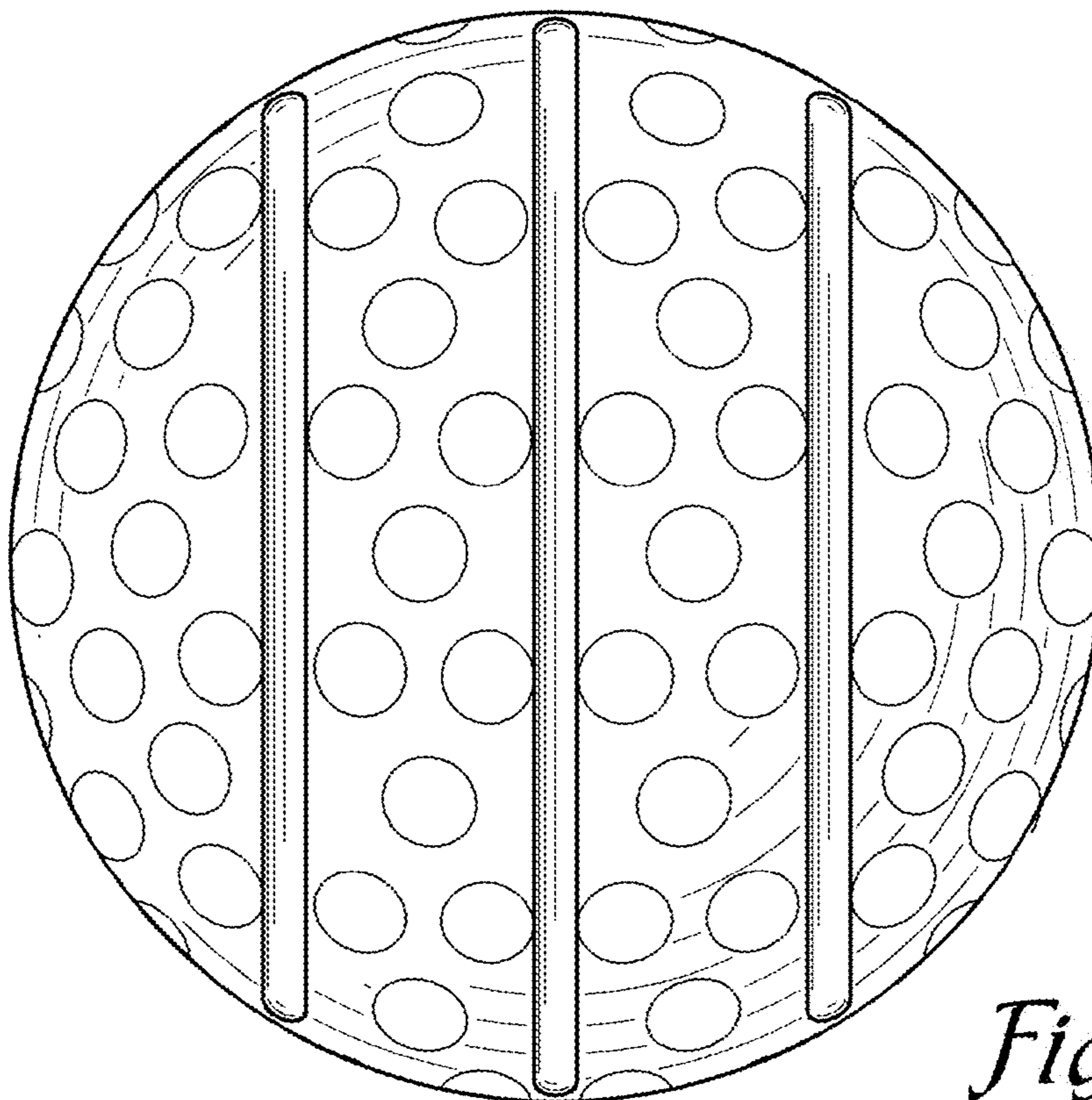


Fig. 12

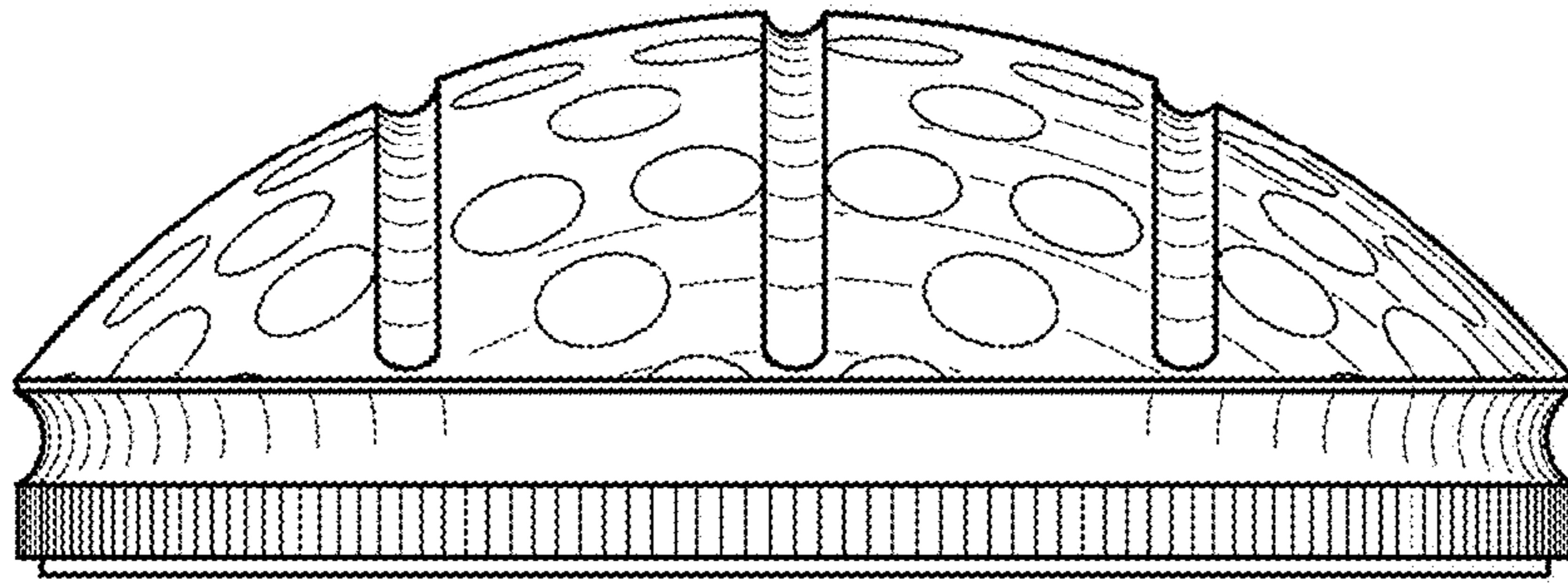


Fig. 13

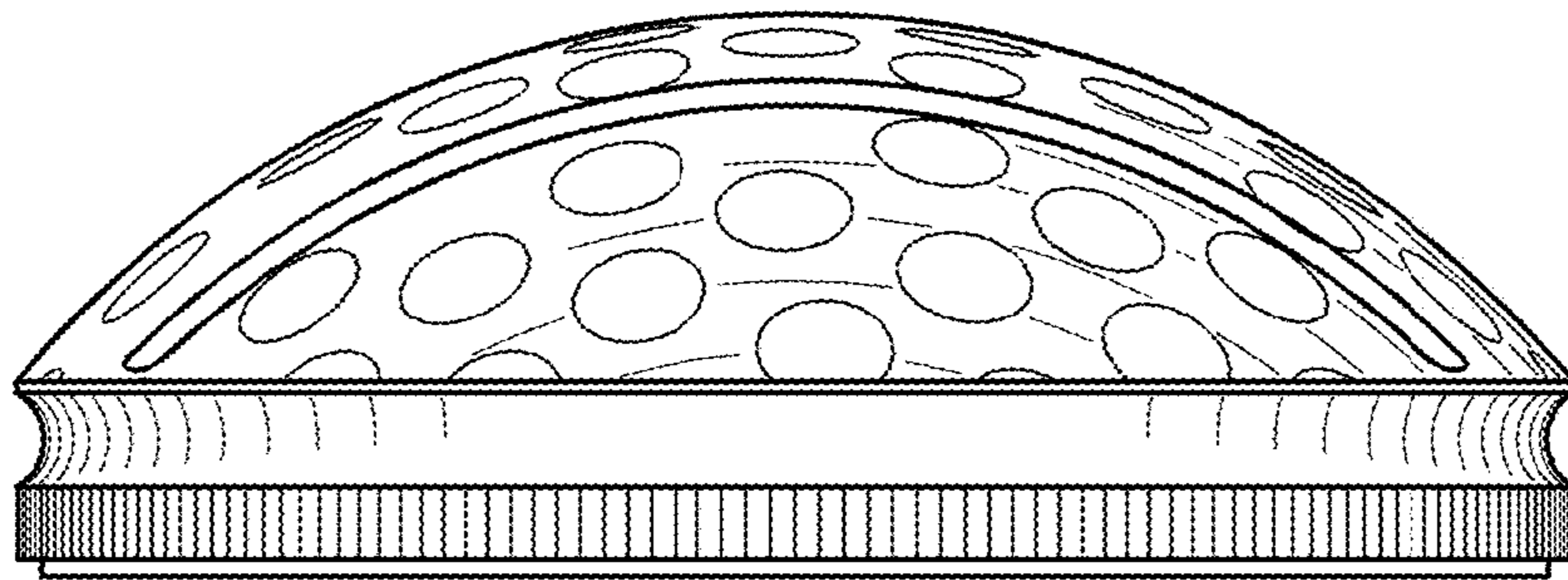


Fig. 14

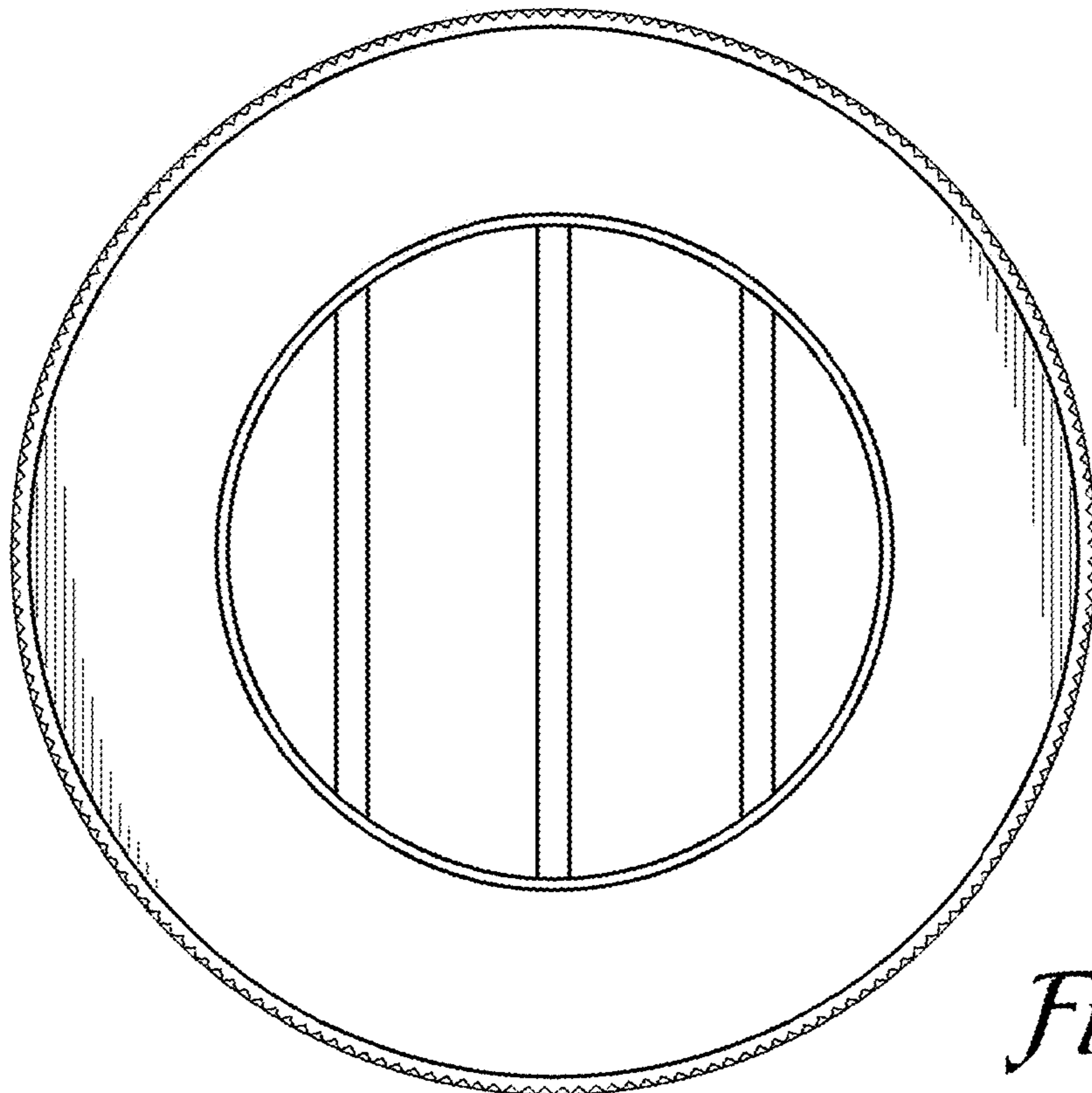


Fig. 15

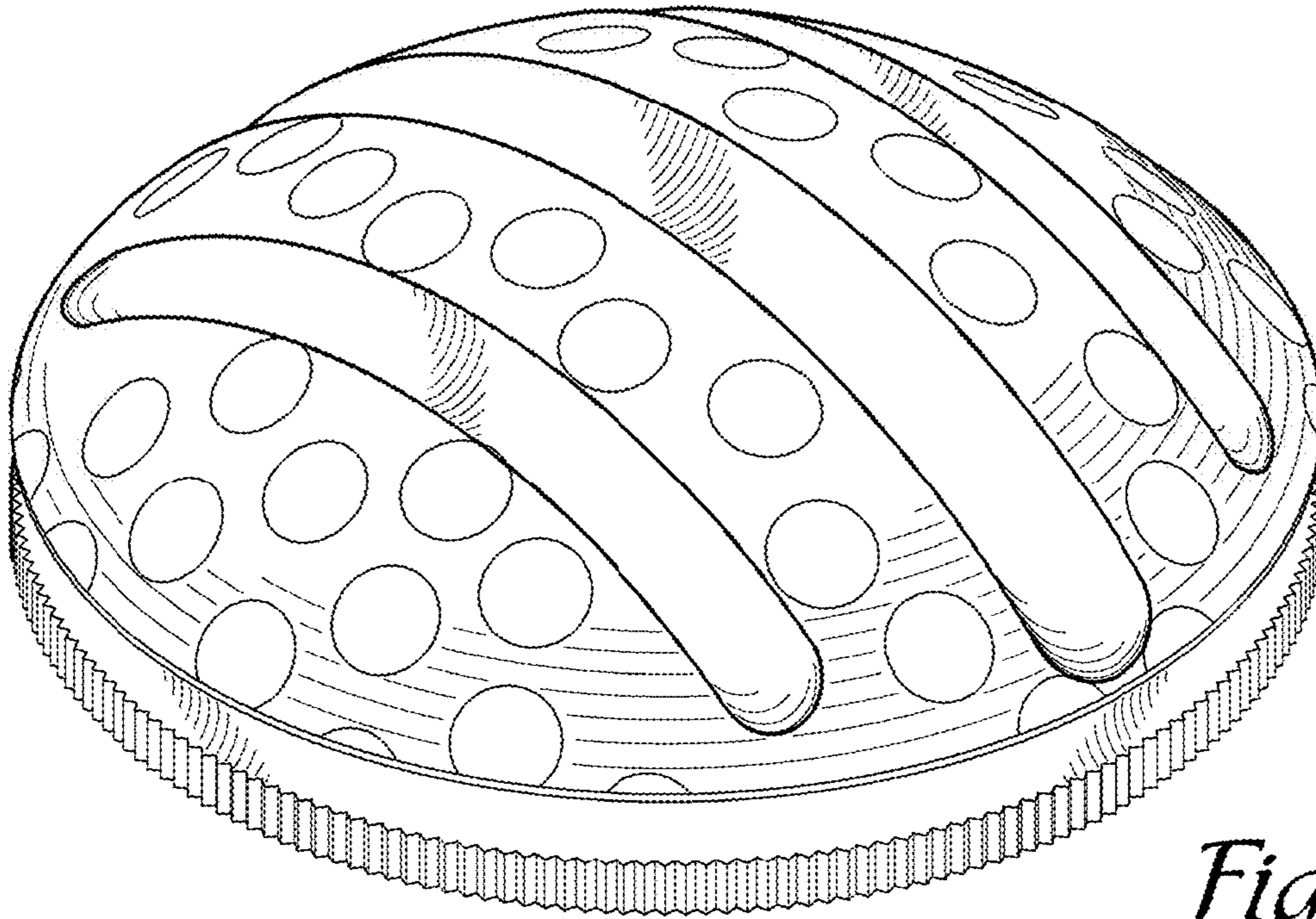


Fig. 16

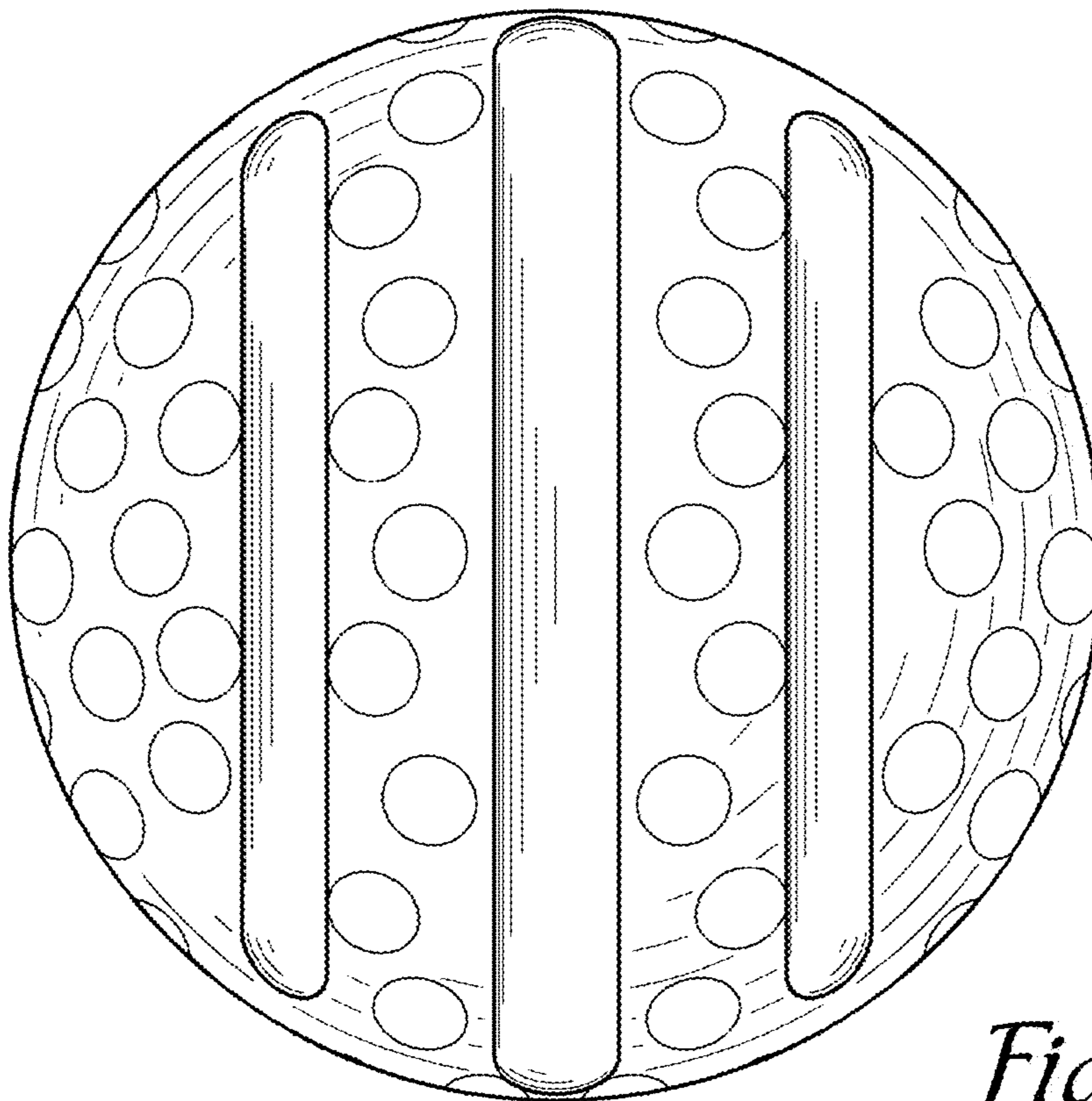


Fig. 17

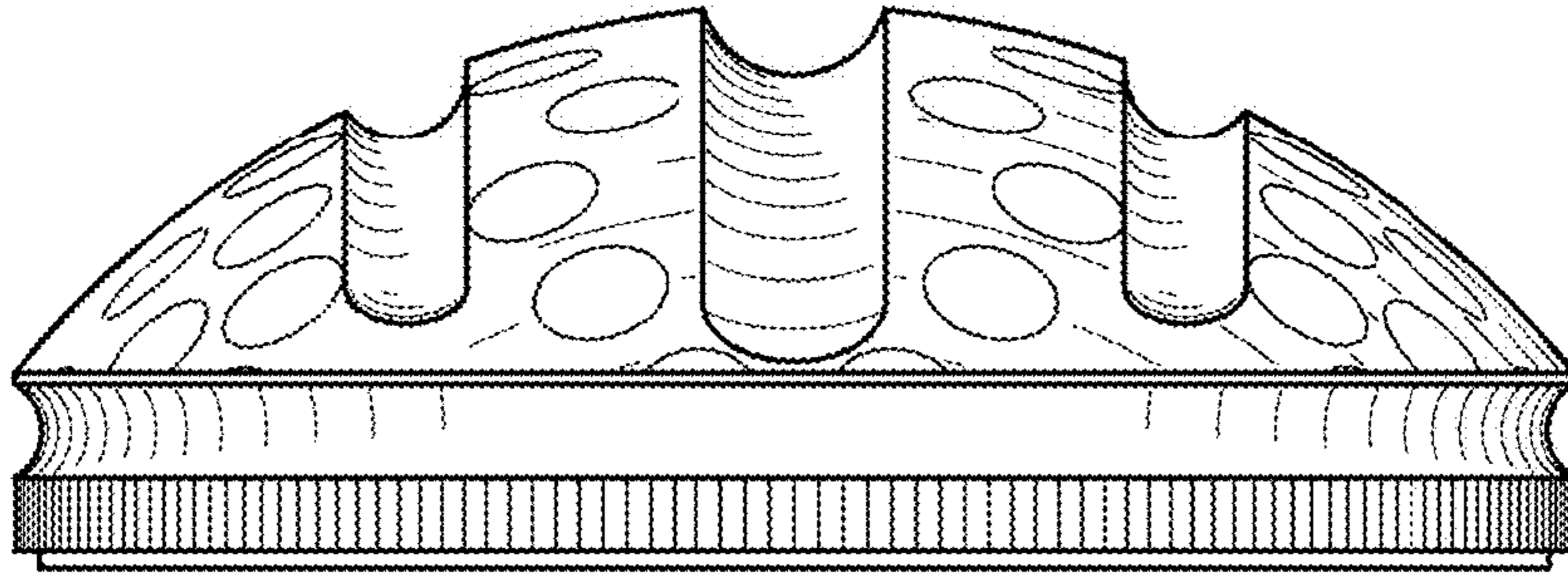


Fig. 18

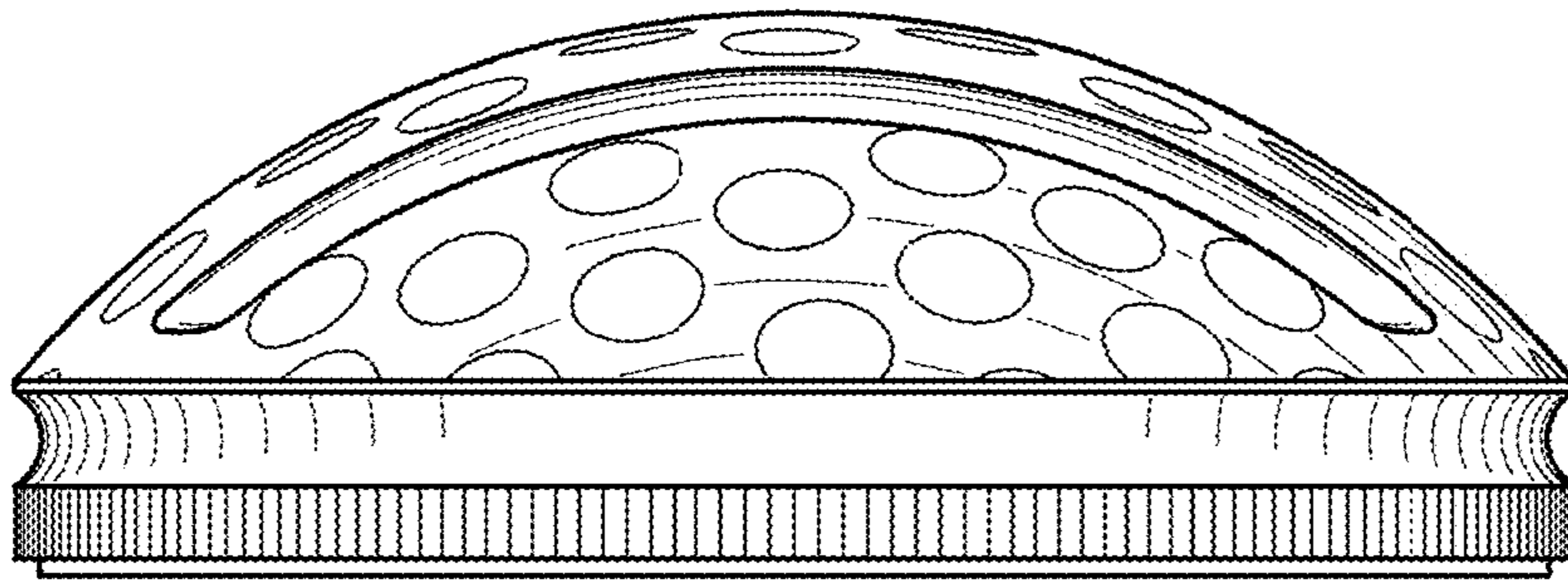


Fig. 19

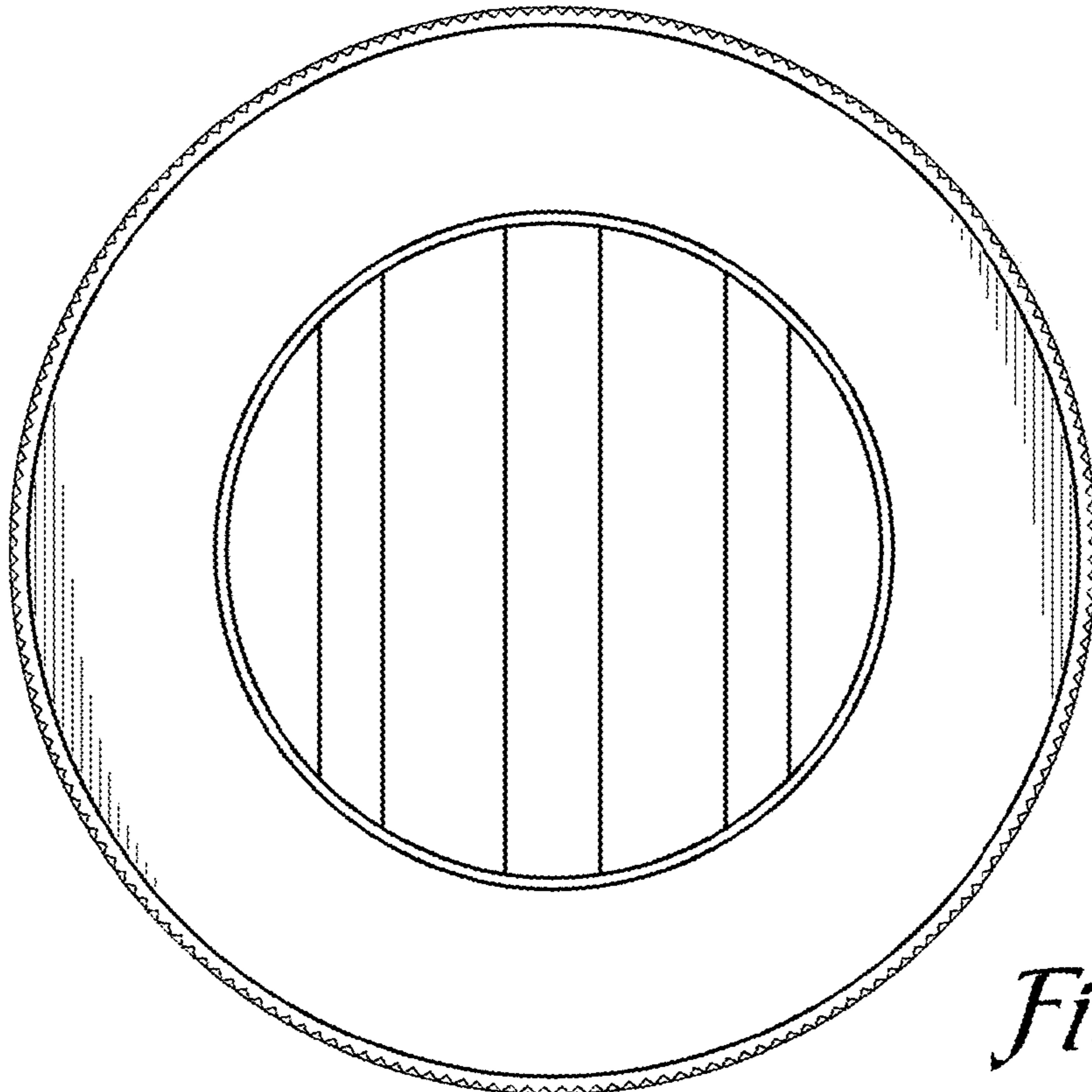


Fig. 20