



US00D973814S

(12) **United States Design Patent** (10) **Patent No.:** **US D973,814 S**
Nicolette (45) **Date of Patent:** **** Dec. 27, 2022**

(54) **GOLF CLUB HEAD**

OTHER PUBLICATIONS

(71) Applicant: **PARSONS XTREME GOLF, LLC**,
Scottsdale, AZ (US)

Pxg irons google search; google.com; Aug. 30, 2022.*

(Continued)

(72) Inventor: **Michael R. Nicolette**, Scottsdale, AZ
(US)

Primary Examiner — Mitchell I. Siegel

(57) **CLAIM**

(73) Assignee: **PARSONS XTREME GOLF, LLC**,
Scottsdale, AZ (US)

The ornamental design for a golf club head, as shown and described.

(**) Term: **15 Years**

DESCRIPTION

(21) Appl. No.: **29/838,235**

FIG. 1 is a top perspective view of a golf club head according to a first embodiment;

(22) Filed: **May 11, 2022**

FIG. 2 is a bottom perspective view of the golf club head of FIG. 1;

Related U.S. Application Data

(63) Continuation-in-part of application No. 29/829,161,
filed on Mar. 3, 2022, now Pat. No. Des. 962,372.

FIG. 3 is a front elevational view of the golf club head of FIG. 1;

(51) **LOC (13) Cl.** **21-02**

FIG. 4 is a rear elevational view of the golf club head of FIG. 1;

(52) **U.S. Cl.**

USPC **D21/759**

FIG. 5 is a top view of the golf club head of FIG. 1;

(58) **Field of Classification Search**

USPC D21/747-751, 759

CPC A63B 53/00; A63B 53/02; A63B 53/047;

A63B 53/0475; A63B 2053/0479; A63B

2053/0483; A63B 2053/0445; A63B

60/00; A63B 60/46

See application file for complete search history.

FIG. 6 is a bottom view of the golf club head of FIG. 1;

FIG. 7 is a left side view of the golf club head of FIG. 1;

FIG. 8 is a right side view of the golf club head of FIG. 1;

FIG. 9 is a top perspective view of a golf club head according to a second embodiment;

FIG. 10 is a bottom perspective view of the golf club head of FIG. 9;

FIG. 11 is a front elevational view of the golf club head of FIG. 9;

FIG. 12 is a rear elevational view of the golf club head of FIG. 9;

FIG. 13 is a top view of the golf club head of FIG. 9;

FIG. 14 is a bottom view of the golf club head of FIG. 9;

FIG. 15 is a left side view of the golf club head of FIG. 9;

and,

FIG. 16 is a right side view of the golf club head of FIG. 9.

The broken lines shown on the drawings form no part of the claimed design.

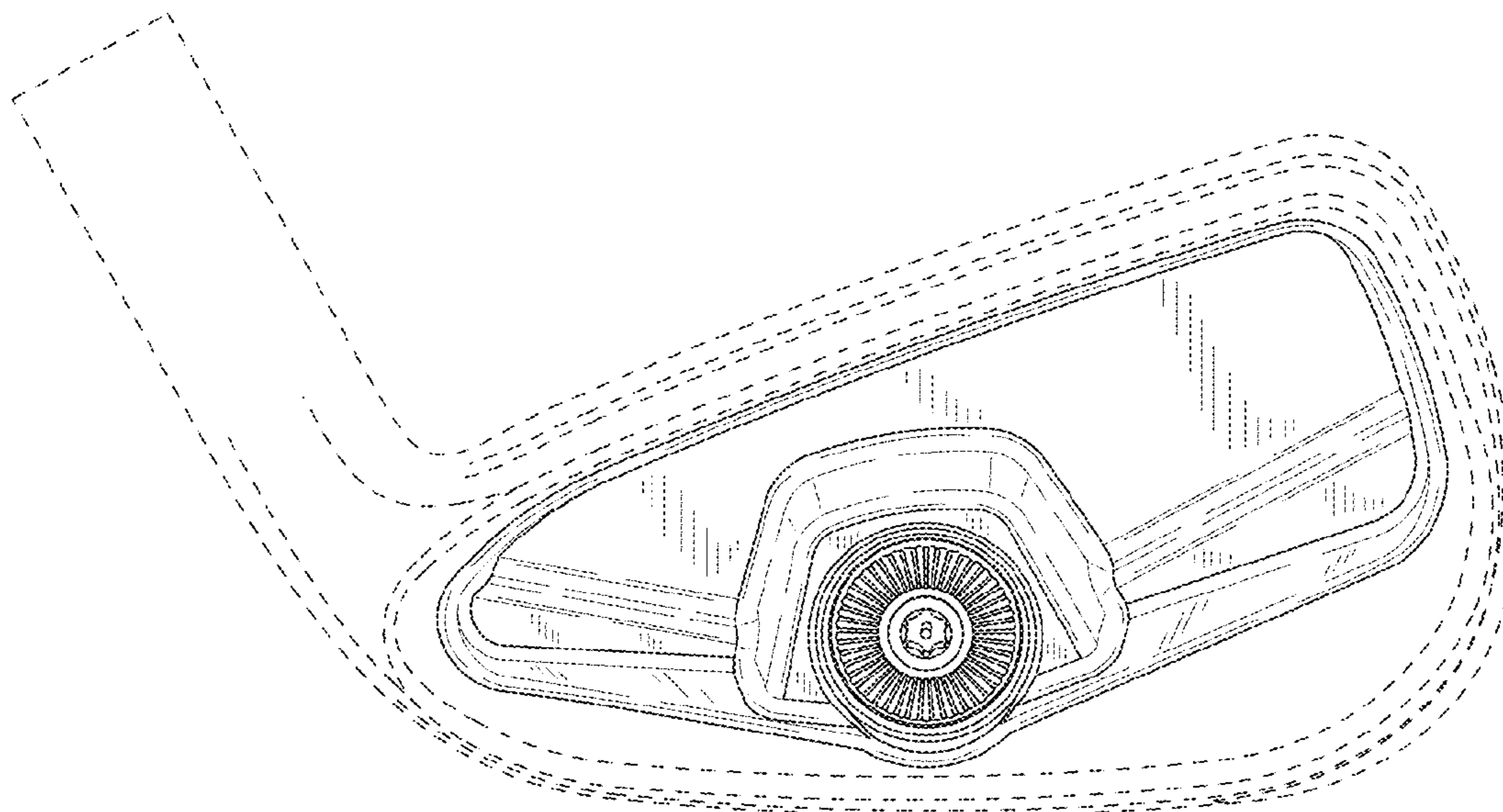
(56) **References Cited**

U.S. PATENT DOCUMENTS

1,133,129 A 3/1915 Govan
D164,469 S 9/1951 Behrendt
D175,107 S 7/1955 Gordon
3,020,048 A 2/1962 Carroll
D203,936 S 3/1966 Long

(Continued)

1 Claim, 8 Drawing Sheets



(56)

References Cited

U.S. PATENT DOCUMENTS

D215,101 S	9/1969	Sabat	
D234,963 S	4/1975	Hirata	
D239,550 S	4/1976	Timbrook	
D240,054 S	5/1976	Meissler	
D244,792 S	6/1977	Gelinas	
D250,136 S	10/1978	Gelinas	
D261,167 S	10/1981	Swanson	
D294,617 S	3/1988	Perkins	
4,754,977 A	7/1988	Sahm	
D298,643 S *	11/1988	Mitsui	D21/750
4,824,116 A	4/1989	Nagamoto et al.	
4,988,104 A	1/1991	Shiotani et al.	
5,158,296 A	10/1992	Lee	
5,176,384 A	1/1993	Sata et al.	
5,213,328 A	5/1993	Long et al.	
D336,672 S	6/1993	Gorman	
D346,840 S *	5/1994	Fenton	D21/751
D353,862 S	12/1994	Saito	
D357,520 S	4/1995	Helmstetter et al.	
5,419,560 A	5/1995	Bamber	
5,425,535 A	6/1995	Gee	
D361,358 S	8/1995	Simmons	
5,447,311 A	9/1995	Viollaz et al.	
5,451,056 A	9/1995	Manning	
D362,884 S	10/1995	Blough et al.	
D362,885 S	10/1995	Blough et al.	
D362,887 S	10/1995	Blough et al.	
D370,514 S	6/1996	Blough et al.	
5,540,437 A	7/1996	Bamber	
D379,106 S	5/1997	Maltby	
5,637,045 A	6/1997	Igarashi	
5,669,830 A	9/1997	Bamber	
D389,540 S	1/1998	Mendenhall	
D389,541 S	1/1998	Huan-Chiang	
D395,476 S *	6/1998	Pond	D21/747
5,766,091 A	6/1998	Humphrey et al.	
5,766,092 A	6/1998	Mimeur et al.	
D399,277 S	10/1998	Ezaki	
5,827,132 A	10/1998	Bamber	
D408,485 S	4/1999	Takahashi et al.	
5,899,821 A	5/1999	Hsu et al.	
5,935,016 A	8/1999	Antonious	
D414,535 S	9/1999	Mertens	
D421,080 S	2/2000	Chen	
D426,276 S	6/2000	Besnard et al.	
D426,476 S	6/2000	Goss	
6,077,171 A	6/2000	Yoneyama	
D429,298 S *	8/2000	Butler	D21/747
D442,659 S	5/2001	Kubica et al.	
D443,008 S	5/2001	Kubica et al.	
D445,862 S	7/2001	Ford	
6,290,609 B1	9/2001	Takeda	
D449,866 S *	10/2001	Miller	D21/747
D457,211 S *	5/2002	Bakke	D21/747
D458,328 S	6/2002	Solheim et al.	
D468,382 S *	1/2003	Wahl	D21/747
D469,833 S	2/2003	Roberts et al.	
D470,554 S *	2/2003	Truesdale	D21/747
D473,605 S	4/2003	Petersen et al.	
D476,048 S *	6/2003	Cleveland	D21/747
D478,949 S	8/2003	DeLaCruz	
D479,568 S *	9/2003	Rodgers	D21/747
6,638,182 B2	10/2003	Kosmatka	
6,695,714 B1	2/2004	Bliss et al.	
6,702,693 B2	3/2004	Bamber	
D488,201 S	4/2004	Wahl et al.	
D492,376 S	6/2004	Nicolette et al.	
D494,240 S	8/2004	Schweigert	
D494,648 S	8/2004	Schweigert et al.	
6,780,123 B2	8/2004	Hasebe	
D497,963 S	11/2004	Toulon et al.	
6,811,496 B2	11/2004	Wahl et al.	
D499,779 S	12/2004	Mahaffey et al.	
D500,350 S	12/2004	Schweigert et al.	
D500,351 S	12/2004	Schweigert et al.	
D502,237 S	2/2005	Schweigert et al.	
D502,975 S	3/2005	Schweigert et al.	
D503,204 S	3/2005	Nicolette et al.	
D504,925 S	5/2005	Schweigert et al.	
D505,171 S	5/2005	Schweigert et al.	
D507,029 S *	7/2005	Burrows	D21/747
D507,320 S	7/2005	Roberts et al.	
D507,614 S	7/2005	Schweigert et al.	
D508,099 S	8/2005	Schweigert et al.	
D508,545 S	8/2005	Roberts et al.	
6,923,733 B2	8/2005	Chen	
D514,183 S	1/2006	Schweigert et al.	
D516,650 S	3/2006	Wolfe et al.	
D517,625 S *	3/2006	Sanchez	D21/747
D518,863 S	4/2006	Motoyoshi et al.	
D523,501 S	6/2006	Nicolette et al.	
D523,917 S	6/2006	Wolfe et al.	
D524,889 S	7/2006	Yu et al.	
D530,759 S	10/2006	Nicolette et al.	
D530,760 S	10/2006	Schweigert et al.	
7,121,956 B2	10/2006	Lo	
7,128,663 B2	10/2006	Bamber	
D531,688 S	11/2006	Frame et al.	
D532,849 S	11/2006	Nicolette et al.	
D533,610 S *	12/2006	Cleveland	D21/747
D534,228 S	12/2006	Nicolette et al.	
D534,595 S	1/2007	Hasebe	
D534,597 S	1/2007	Nicolette et al.	
D534,608 S *	1/2007	Kohno	D21/759
7,156,751 B2	1/2007	Wahl et al.	
D536,759 S	2/2007	Schweigert et al.	
D537,494 S	2/2007	Jertson et al.	
7,182,698 B2	2/2007	Tseng	
D538,366 S	3/2007	Nicolette et al.	
D539,864 S	4/2007	Nicolette et al.	
D540,898 S	4/2007	Solheim et al.	
D541,360 S	4/2007	Schweigert et al.	
7,207,900 B2	4/2007	Nicolette et al.	
D543,601 S	5/2007	Kawami	
D544,056 S	6/2007	Nicolette et al.	
D545,387 S *	6/2007	Roberts	D21/747
D547,410 S	7/2007	Nicolette et al.	
D554,212 S *	10/2007	Nunez	D21/747
D555,219 S	11/2007	Lin	
7,303,486 B2	12/2007	Imamoto	
D559,932 S	1/2008	Belmont	
D561,280 S *	2/2008	Rollinson	D21/748
D561,855 S	2/2008	Schweigert et al.	
D562,925 S	2/2008	Schweigert et al.	
7,351,164 B2	4/2008	Schweigert et al.	
D570,435 S	6/2008	Sanchez et al.	
D570,935 S	6/2008	Nicolette et al.	
D570,936 S	6/2008	Schweigert et al.	
D570,942 S	6/2008	Chen et al.	
D571,422 S	6/2008	Schweigert et al.	
D571,425 S	6/2008	Chen et al.	
D571,427 S	6/2008	Schweigert et al.	
D571,881 S	6/2008	Nicolette et al.	
D572,326 S	7/2008	Schweigert et al.	
D572,329 S	7/2008	Nicolette et al.	
D573,219 S	7/2008	Schweigert et al.	
7,396,299 B2	7/2008	Nicolette et al.	
7,413,518 B2	8/2008	Cole et al.	
D577,783 S	9/2008	Schweigert et al.	
D578,590 S	10/2008	Schweigert et al.	
D581,000 S	11/2008	Nicolette et al.	
D581,004 S	11/2008	Schweigert et al.	
D584,370 S *	1/2009	Cleveland	D21/747
D585,103 S	1/2009	Foster et al.	
D586,414 S	2/2009	Foster et al.	
D587,327 S	2/2009	Ines et al.	
D587,769 S *	3/2009	Honea	D21/747
D594,518 S	6/2009	Schweigert	
D596,256 S	7/2009	Schweigert et al.	
D596,257 S	7/2009	Jertson et al.	
D596,258 S	7/2009	Jertson et al.	
D596,688 S	7/2009	Schweigert et al.	
D597,158 S	7/2009	Schweigert et al.	
D597,616 S *	8/2009	Ines	D21/747

(56)

References Cited

U.S. PATENT DOCUMENTS

D597,617 S *	8/2009	Ines	D21/747	8,827,832 B2	9/2014	Breier et al.	
D597,618 S *	8/2009	Ines	D21/747	8,827,833 B2	9/2014	Amano et al.	
D598,060 S *	8/2009	Barez	D21/747	8,845,455 B2	9/2014	Ban et al.	
D601,216 S	9/2009	Jertson et al.		D716,387 S	10/2014	Aguayo et al.	
7,588,502 B2	9/2009	Nishino		D716,388 S	10/2014	Aguayo et al.	
7,601,075 B2	10/2009	Cole et al.		D716,391 S	10/2014	Roche et al.	
D604,783 S	11/2009	Nicolette et al.		D722,352 S	2/2015	Nicolette et al.	
7,611,424 B2	11/2009	Nagai et al.		D723,120 S	2/2015	Nicolette	
D606,605 S	12/2009	Wada et al.		8,961,336 B1	2/2015	Parsons et al.	
D607,070 S	12/2009	Wada et al.		D726,265 S	4/2015	Nicolette	
D607,071 S	12/2009	Wada et al.		9,199,143 B1	12/2015	Parsons et al.	
D607,073 S *	12/2009	Jertson	D21/759	D746,926 S	1/2016	Parsons et al.	
7,658,686 B2	2/2010	Soracco		D748,214 S	1/2016	Nicolette et al.	
D612,438 S	3/2010	Carlyle et al.		D748,749 S	2/2016	Nicolette et al.	
D612,439 S	3/2010	Carlyle et al.		D754,269 S *	4/2016	Stokke	D21/747
D617,406 S	6/2010	Carlyle et al.		D754,806 S *	4/2016	Bacon	D21/747
D618,293 S	6/2010	Foster et al.		D756,471 S	5/2016	Nicolette et al.	
7,736,243 B2	6/2010	Sanchez et al.		9,346,203 B2	5/2016	Parsons et al.	
7,744,484 B1	6/2010	Chao		D762,792 S *	8/2016	Oliveiro	D21/747
D619,667 S *	7/2010	Cleveland	D21/747	D764,610 S	8/2016	Parsons et al.	
D621,893 S	8/2010	Nicolette et al.		9,421,437 B2	8/2016	Parsons et al.	
D621,894 S	8/2010	Schweigert		9,427,634 B2	8/2016	Parsons et al.	
D621,895 S	8/2010	Schweigert et al.		9,468,821 B2	10/2016	Parsons et al.	
7,798,917 B2	9/2010	Nguyen et al.		D773,574 S *	12/2016	Oliveiro	D21/747
7,815,521 B2	10/2010	Ban et al.		D773,575 S	12/2016	Nicolette	
D627,409 S	11/2010	Schweigert et al.		D777,854 S *	1/2017	Bacon	D21/748
D627,410 S	11/2010	Nicolette et al.		9,533,201 B2	1/2017	Parsons et al.	
7,846,040 B2	12/2010	Ban		D788,236 S *	5/2017	Bishop	D21/747
D633,159 S	2/2011	Holt et al.		9,649,542 B2	5/2017	Nicolette	
D633,967 S	3/2011	Carlyle et al.		D795,370 S *	8/2017	Bacon	D21/759
D635,627 S *	4/2011	Nicolette	D21/759	D801,460 S *	10/2017	Milleman	D21/748
7,938,738 B2	5/2011	Roach		D802,068 S	11/2017	Parsons et al.	
D642,642 S	8/2011	Jertson et al.		9,814,952 B2	11/2017	Parsons et al.	
D643,488 S	8/2011	Holt et al.		D815,704 S *	4/2018	Clarke	D21/747
D643,490 S	8/2011	Wada et al.		D816,787 S *	5/2018	Nicolette	D21/747
D643,491 S	8/2011	Stokke et al.		D825,891 S	8/2018	Parsons et al.	
D643,492 S	8/2011	Nicolette et al.		D827,065 S	8/2018	Nicolette	
D643,895 S	8/2011	Wieland		D829,837 S *	10/2018	Wolfe	D21/747
D643,896 S	8/2011	Jertson et al.		D835,737 S	12/2018	Parsons et al.	
D647,582 S	10/2011	Nicolette et al.		D846,049 S *	4/2019	Becktor	D21/747
D647,984 S *	11/2011	Atwell	D21/747	D852,302 S	6/2019	Parsons et al.	
D647,985 S *	11/2011	Atwell	D21/747	D856,451 S	8/2019	Parsons et al.	
D647,987 S *	11/2011	Atwell	D21/747	D860,358 S *	9/2019	Stokke	D21/747
D649,211 S	11/2011	Jertson et al.		D863,478 S	10/2019	Parsons et al.	
8,062,150 B2	11/2011	Gilbert et al.		D863,479 S *	10/2019	Stokke	D21/747
D651,268 S	12/2011	Nicolette et al.		D866,692 S *	11/2019	Kitching, Jr.	D21/747
8,088,025 B2	1/2012	Wahl et al.		10,632,349 B2	4/2020	Parsons et al.	
8,092,319 B1	1/2012	Cackett et al.		D893,647 S	8/2020	Parsons et al.	
8,105,180 B1	1/2012	Cackett et al.		D893,648 S *	8/2020	Parsons	D21/747
8,142,307 B2	3/2012	Sanchez et al.		D894,302 S *	8/2020	Parsons	D21/747
D658,248 S	4/2012	Nunez et al.		10,729,948 B2	8/2020	Parsons et al.	
8,221,262 B1	7/2012	Cackett et al.		10,729,949 B2	8/2020	Parsons et al.	
8,246,487 B1	8/2012	Cackett et al.		D898,143 S	10/2020	Parsons et al.	
D669,947 S *	10/2012	Kim	D21/747	D898,144 S	10/2020	Parsons et al.	
D670,775 S	11/2012	Jertson et al.		D898,145 S	10/2020	Parsons et al.	
D672,417 S	12/2012	Jertson et al.		D900,259 S *	10/2020	Wolfe	D21/747
8,328,662 B2	12/2012	Nakamura et al.		D900,260 S *	10/2020	Wolfe	D21/747
D673,633 S	1/2013	Jertson et al.		10,874,919 B2	12/2020	Parsons et al.	
D673,634 S	1/2013	Jertson et al.		D910,128 S *	2/2021	Kitching, Jr.	D21/747
8,376,878 B2	2/2013	Bennett et al.		D915,535 S *	4/2021	Parsons	D21/747
D680,603 S	4/2013	Nicolette et al.		D916,220 S *	4/2021	Parsons	D21/747
D681,142 S	4/2013	Fossum et al.		D921,796 S *	6/2021	Parsons	D21/759
D681,143 S	4/2013	Nicolette et al.		D922,506 S *	6/2021	Parsons	D21/747
8,414,422 B2	4/2013	Peralta et al.		D926,272 S *	7/2021	Cleghorn	D21/747
8,506,420 B2	8/2013	Hocknell et al.		D926,900 S *	8/2021	Nicolette	D21/747
8,545,343 B2	10/2013	Boyd et al.		D927,620 S *	8/2021	Nicolette	D21/747
8,574,094 B2	11/2013	Nicolette et al.		D928,261 S *	8/2021	Clarke	D21/747
8,657,700 B2	2/2014	Nicolette et al.		D935,542 S *	11/2021	Parsons	D21/747
8,663,026 B2	3/2014	Blowers et al.		D940,261 S *	1/2022	Parsons	D21/747
D703,282 S *	4/2014	Breier	D21/747	D940,262 S *	1/2022	Parsons	D21/747
8,690,710 B2	4/2014	Nicolette et al.		D956,902 S *	7/2022	Nicolette	D21/759
D707,316 S	6/2014	Aguayo et al.		D956,903 S *	7/2022	Parsons	D21/759
D707,317 S	6/2014	Aguayo et al.		D956,905 S *	7/2022	Parsons	D21/759
8,753,230 B2	6/2014	Stokke et al.		D956,906 S *	7/2022	Parsons	D21/759
D708,688 S	7/2014	Nicolette et al.		D961,707 S *	8/2022	Parsons	D21/759
				D961,709 S *	8/2022	Parsons	D21/759
				D962,369 S *	8/2022	Parsons	D21/747
				D962,371 S *	8/2022	Parsons	D21/747
				D962,372 S *	8/2022	Nicolette	D21/747

(56)

References Cited

U.S. PATENT DOCUMENTS

2002/0107087 A1 8/2002 Fagot
 2003/0139226 A1 7/2003 Cheng et al.
 2003/0176231 A1 9/2003 Hasebe
 2004/0204263 A1 10/2004 Fagot et al.
 2005/0009632 A1 1/2005 Schweigert et al.
 2005/0014573 A1 1/2005 Lee
 2005/0096148 A1 5/2005 Noble et al.
 2005/0119066 A1 6/2005 Stites et al.
 2005/0239569 A1 10/2005 Best et al.
 2005/0277485 A1 12/2005 Hou et al.
 2006/0111200 A1 5/2006 Poynor
 2007/0032308 A1 2/2007 Fagot et al.
 2007/0225084 A1 9/2007 Schweigert et al.
 2008/0058113 A1 3/2008 Nicolette et al.
 2008/0188322 A1 8/2008 Anderson et al.
 2008/0300065 A1 12/2008 Schweigert
 2009/0029790 A1 1/2009 Nicolette et al.
 2010/0130306 A1 5/2010 Schweigert
 2010/0178999 A1 7/2010 Nicolette et al.
 2011/0111883 A1 5/2011 Cackett
 2011/0165963 A1 7/2011 Cackett et al.
 2011/0269567 A1 11/2011 Ban et al.
 2011/0294596 A1 12/2011 Ban
 2013/0137532 A1 5/2013 Deshmukh et al.
 2013/0225319 A1 8/2013 Kato
 2013/0281226 A1 10/2013 Ban
 2013/0288823 A1 10/2013 Hebreo
 2013/0303303 A1 11/2013 Ban
 2013/0310192 A1 11/2013 Wahl et al.
 2014/0080621 A1 3/2014 Nicolette et al.
 2014/0128175 A1 5/2014 Jertson et al.
 2014/0274441 A1 9/2014 Greer
 2014/0274451 A1 9/2014 Knight et al.
 2015/0231454 A1 8/2015 Parsons et al.
 2015/0231806 A1 8/2015 Parsons et al.

2015/0328508 A1 11/2015 Parsons et al.
 2017/0368429 A1 12/2017 Parsons et al.
 2018/0104551 A1 4/2018 Parsons et al.
 2018/0140910 A1 5/2018 Parsons et al.
 2018/0169488 A1 6/2018 Parsons et al.
 2018/0207494 A1 7/2018 Parsons et al.
 2018/0221727 A1 8/2018 Parsons et al.
 2018/0236325 A1 8/2018 Parsons et al.
 2018/0318673 A1 11/2018 Parsons et al.
 2019/0143183 A1 5/2019 Parsons et al.
 2019/0201758 A1 7/2019 Parsons et al.
 2019/0232124 A1 8/2019 Parsons et al.
 2019/0232125 A1 8/2019 Parsons et al.
 2019/0232126 A1 8/2019 Nicolette
 2019/0240549 A1 8/2019 Parsons et al.
 2019/0247726 A1 8/2019 Parsons et al.
 2019/0247727 A1 8/2019 Parsons et al.
 2020/0047038 A1 2/2020 Parsons et al.
 2020/0070018 A1 3/2020 Parsons et al.
 2020/0346082 A1 11/2020 Parsons et al.
 2020/0353326 A1 11/2020 Parsons et al.
 2020/0376353 A1 12/2020 Parsons et al.
 2021/0008420 A1 1/2021 Parsons et al.
 2021/0016141 A1 1/2021 Parsons et al.

OTHER PUBLICATIONS

Pxg irons; pxg.com; Aug. 30, 2022.*
 Kozuchowski, Zak, "Callaway Mack Daddy 2 PM Grind Wedges" (<http://www.golfwrx.com/276203/callaway-mack-daddy-2-pm-grind-wedges/>), www.golfwrx.com, GolfWRX Holdings, LLC, published Jan. 21, 2015.
 Wall, Jonathan, "Details: Phil's Prototype Mack Daddy PM-GRIND Wedge," (<http://www.pgatour.com/equipmentreport/2015/01/21/callaway-wedge.html>), www.pgatour.com, PGA Tour, Inc., Published Jan. 21, 2015.

* cited by examiner

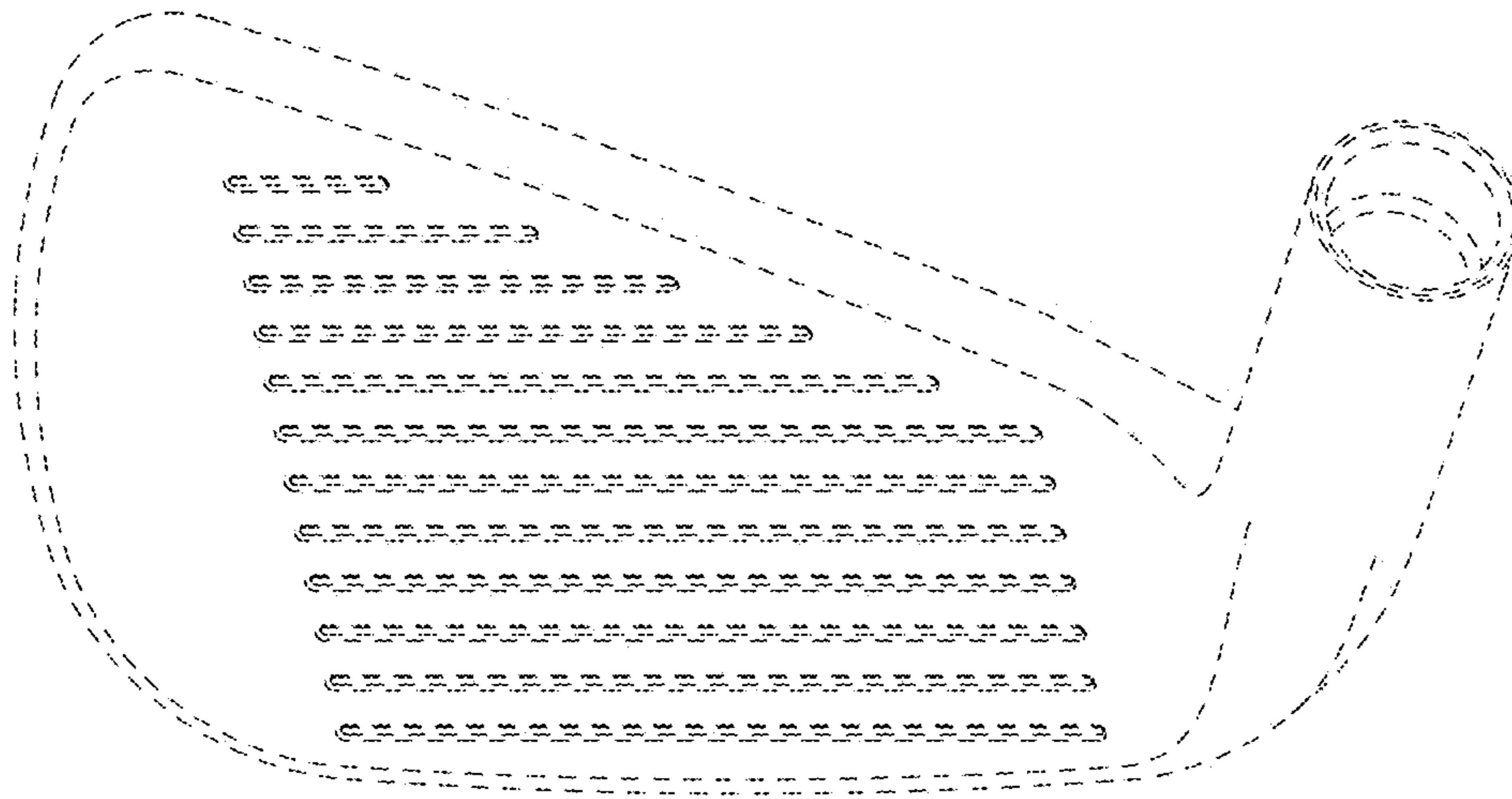


FIG. 1

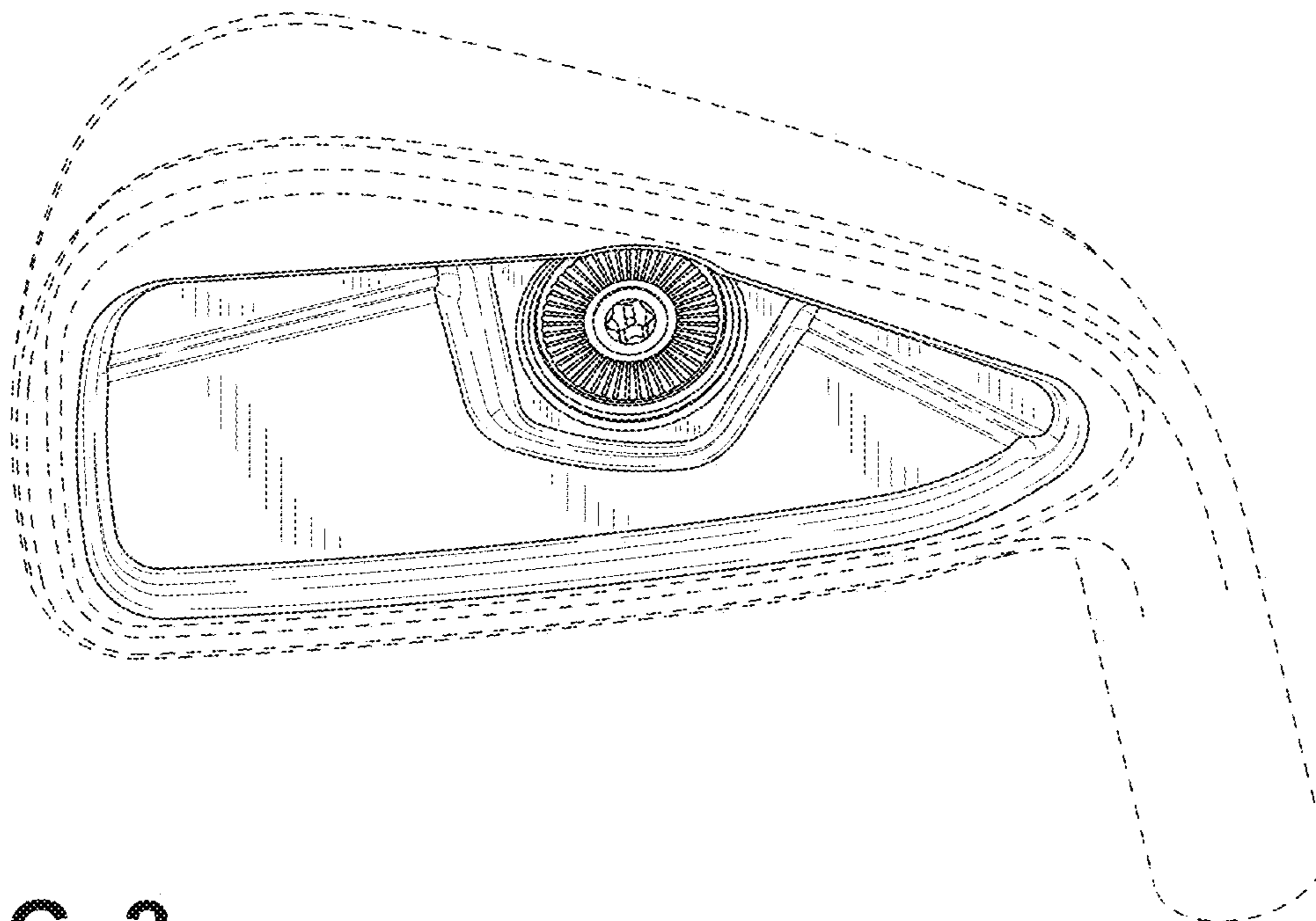


FIG. 2

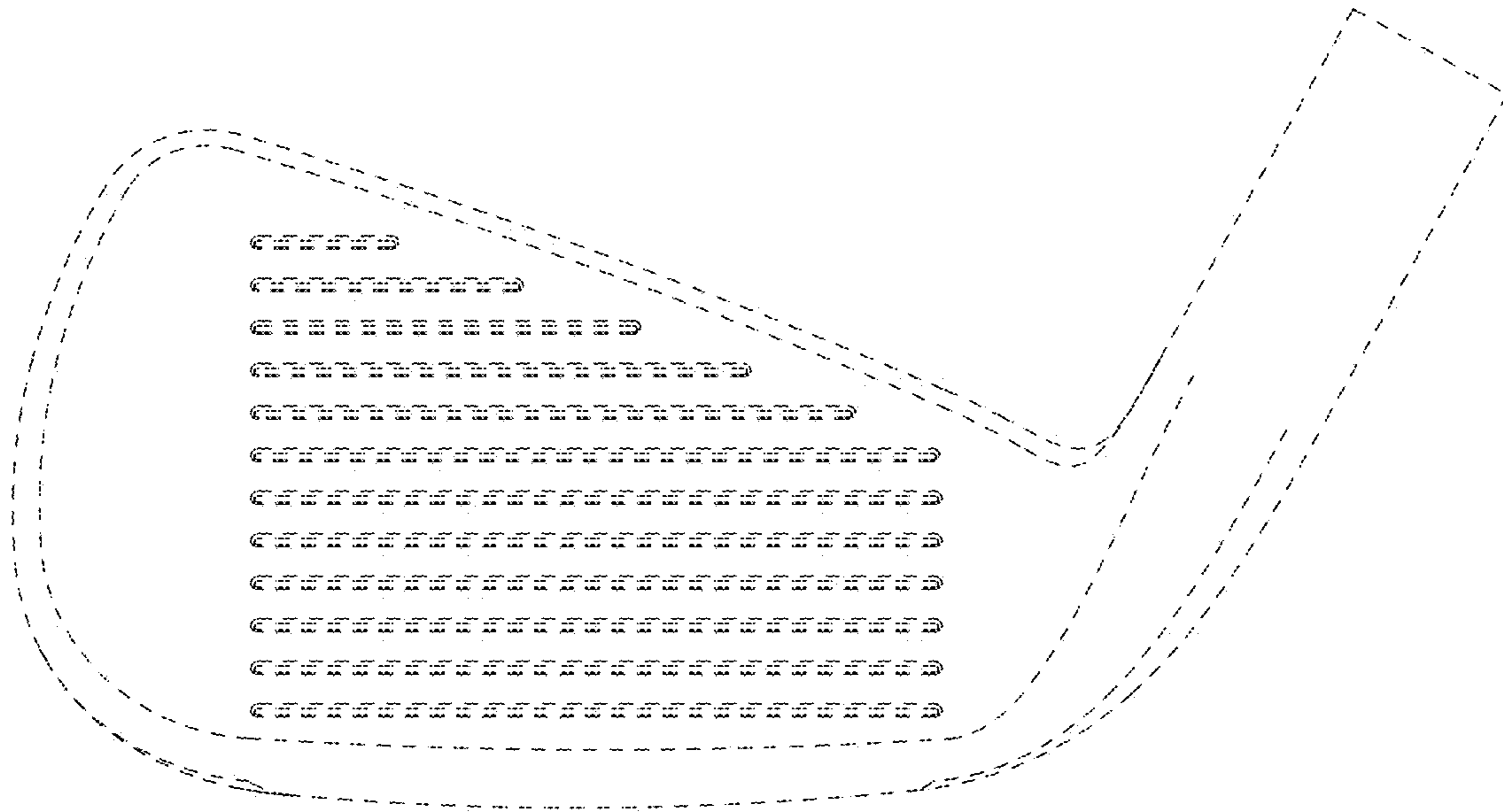


FIG. 3

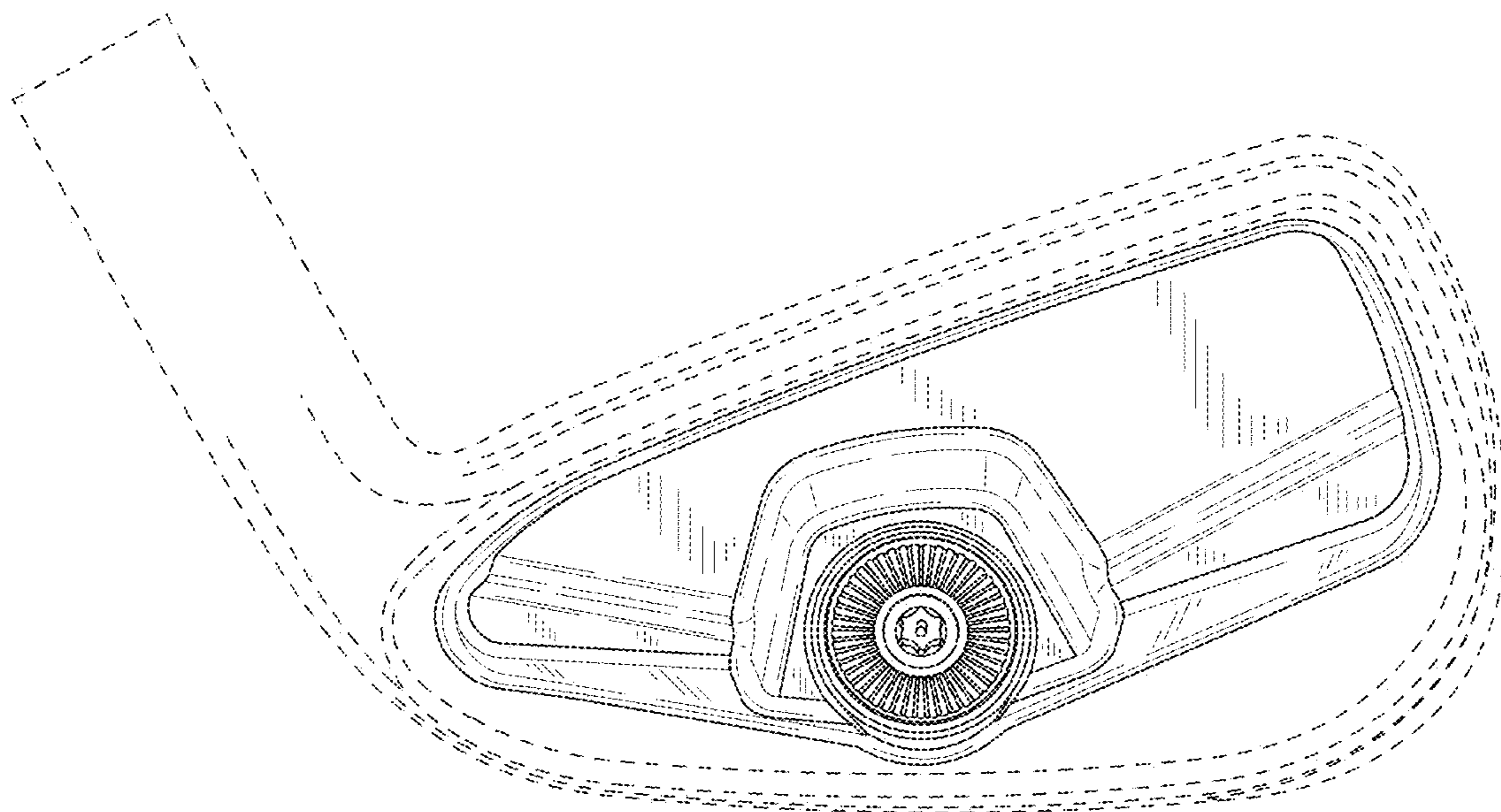


FIG. 4

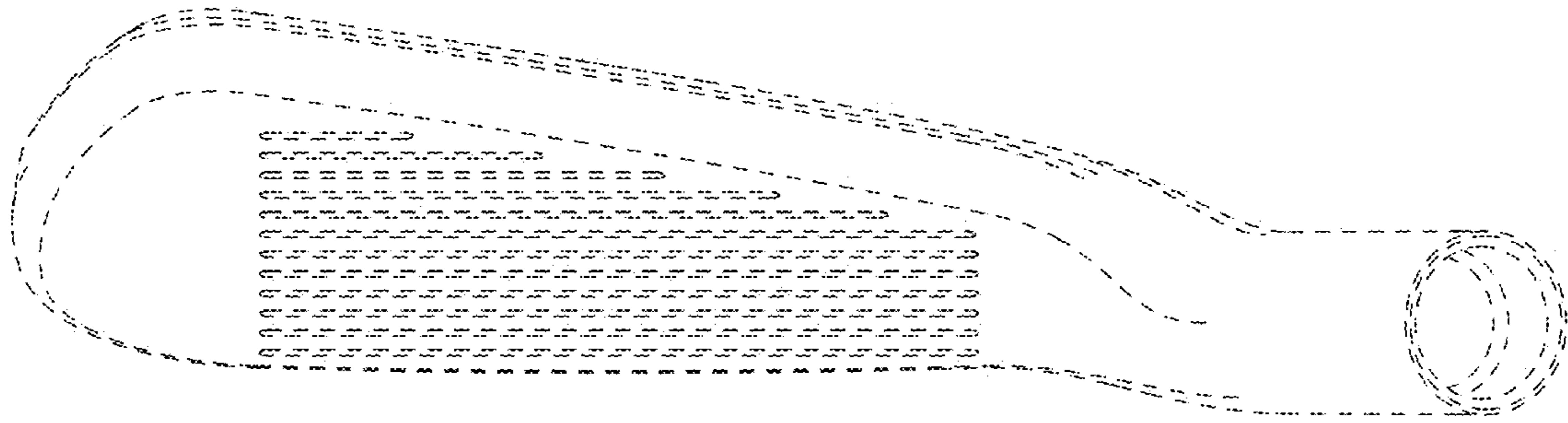


FIG. 5

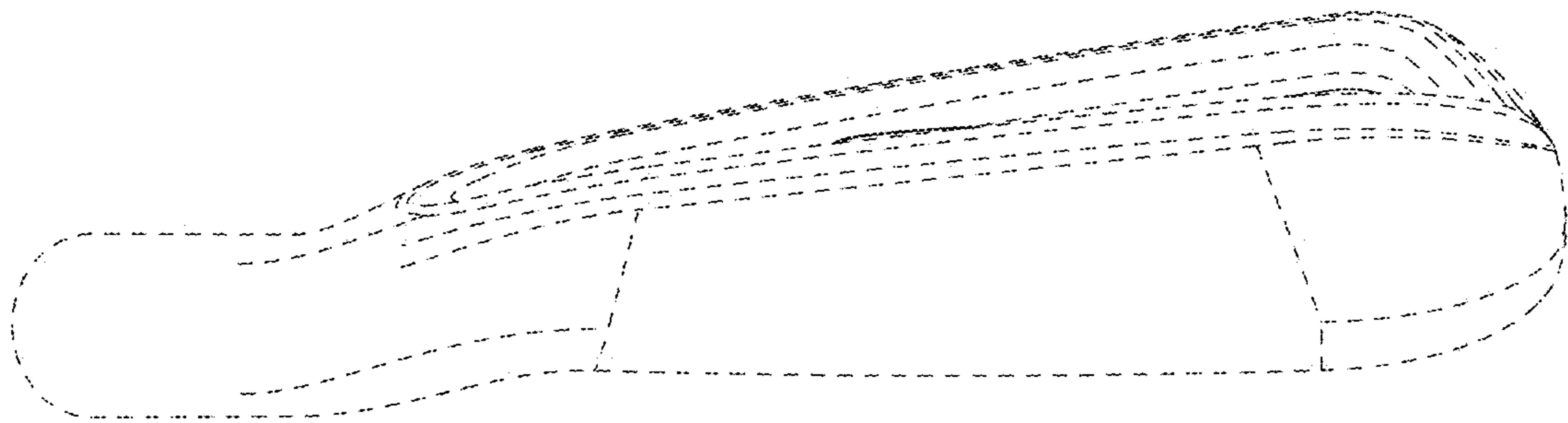


FIG. 6

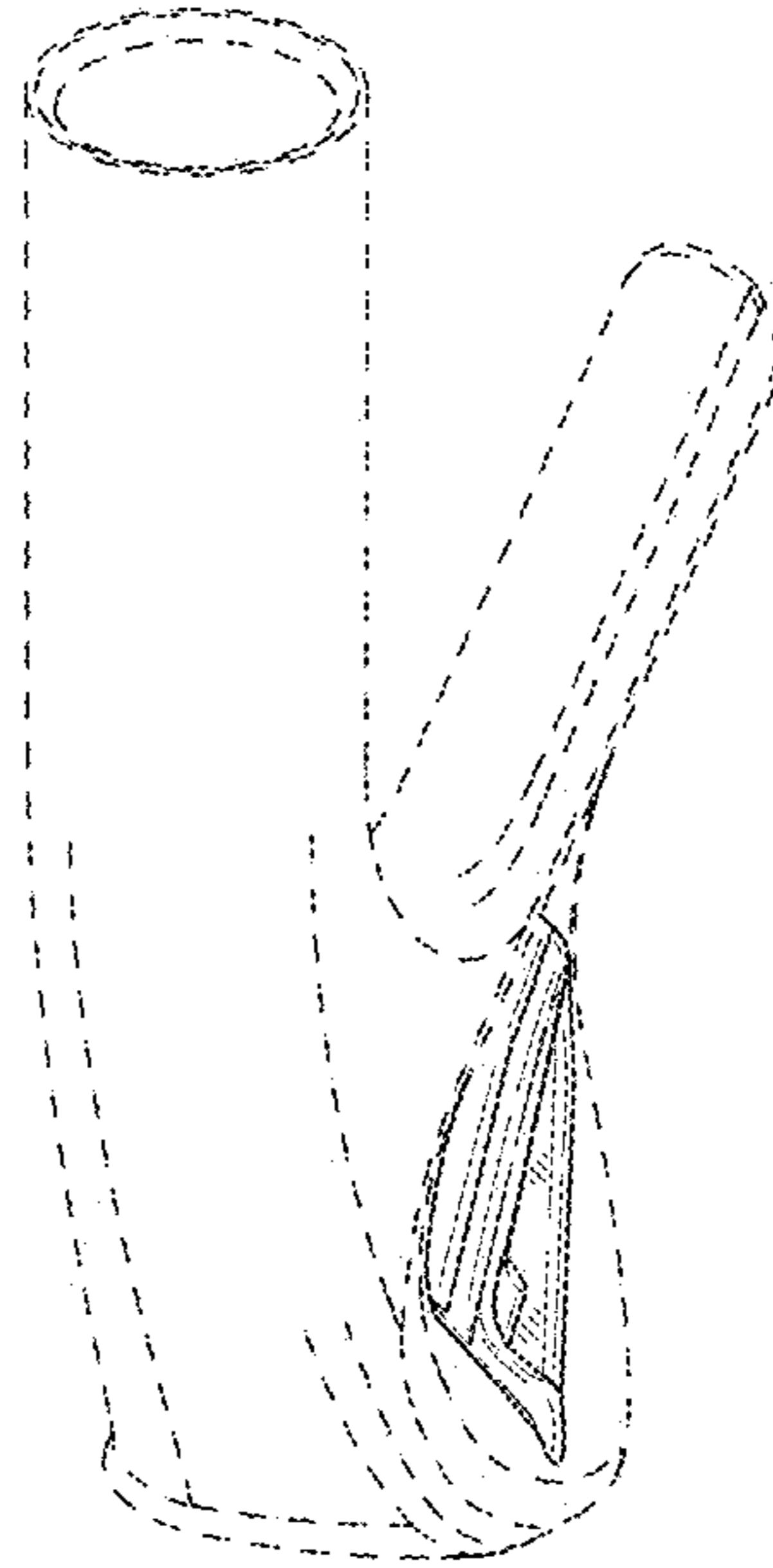


FIG. 7



FIG. 8

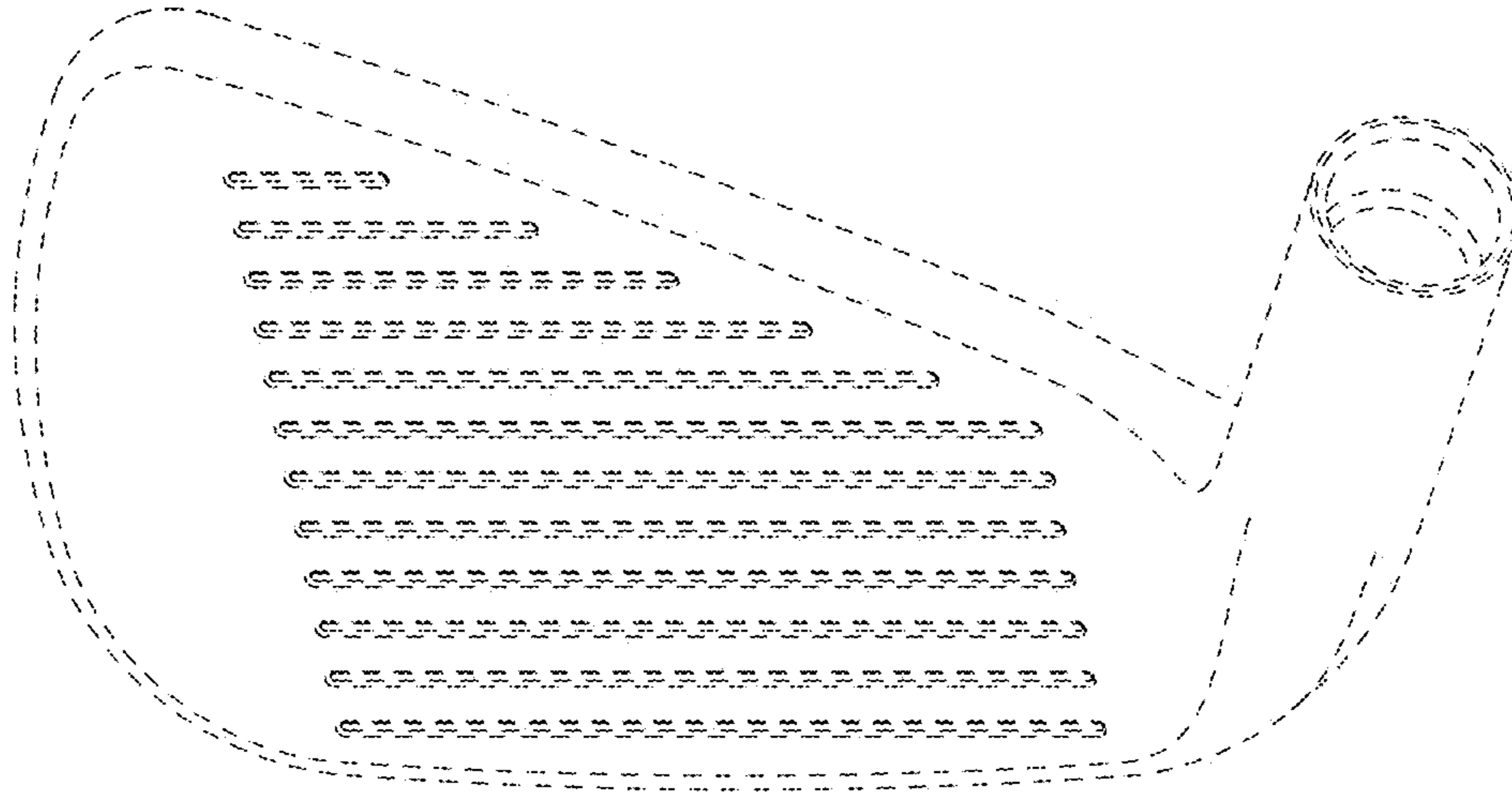


FIG. 9

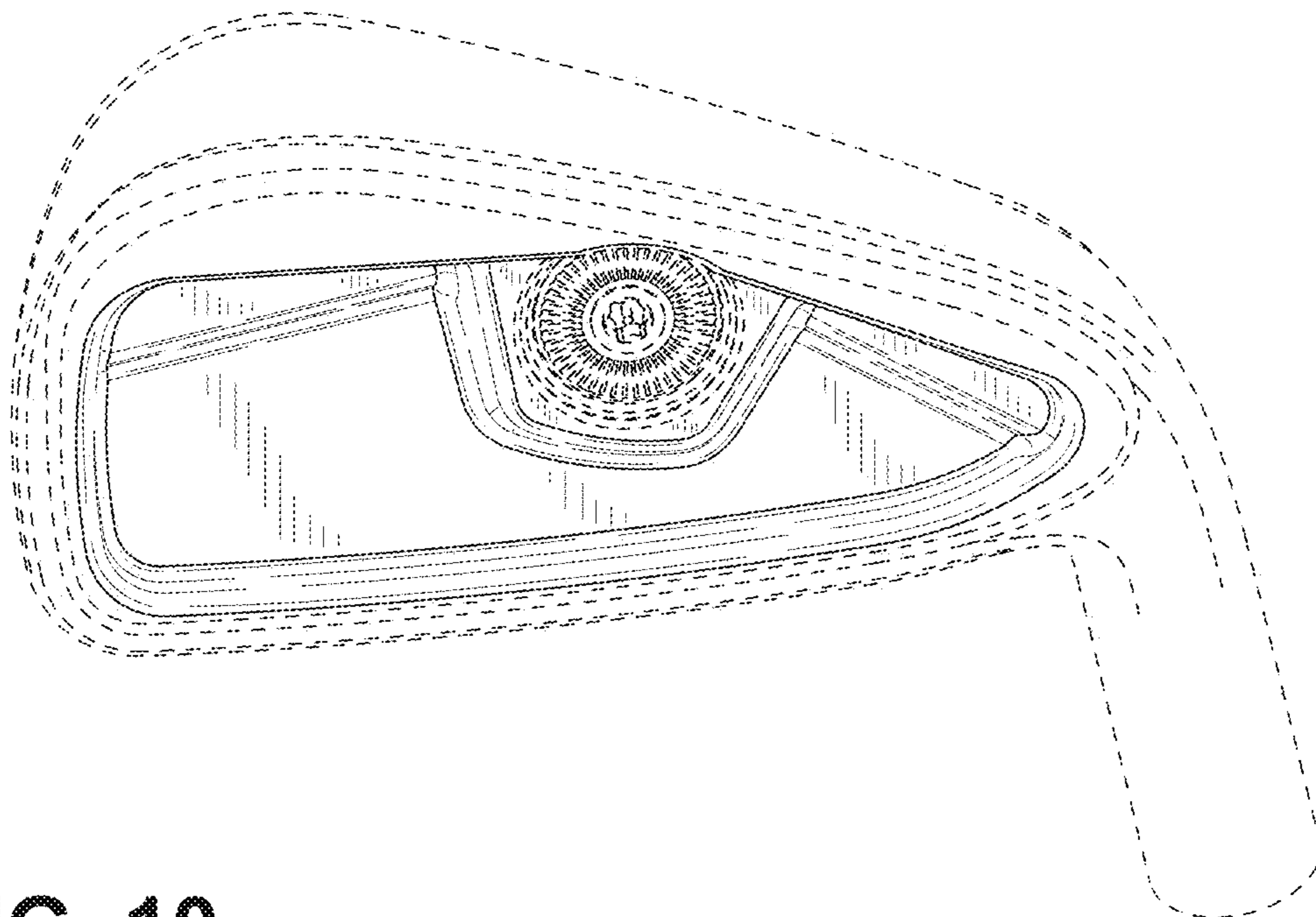


FIG. 10

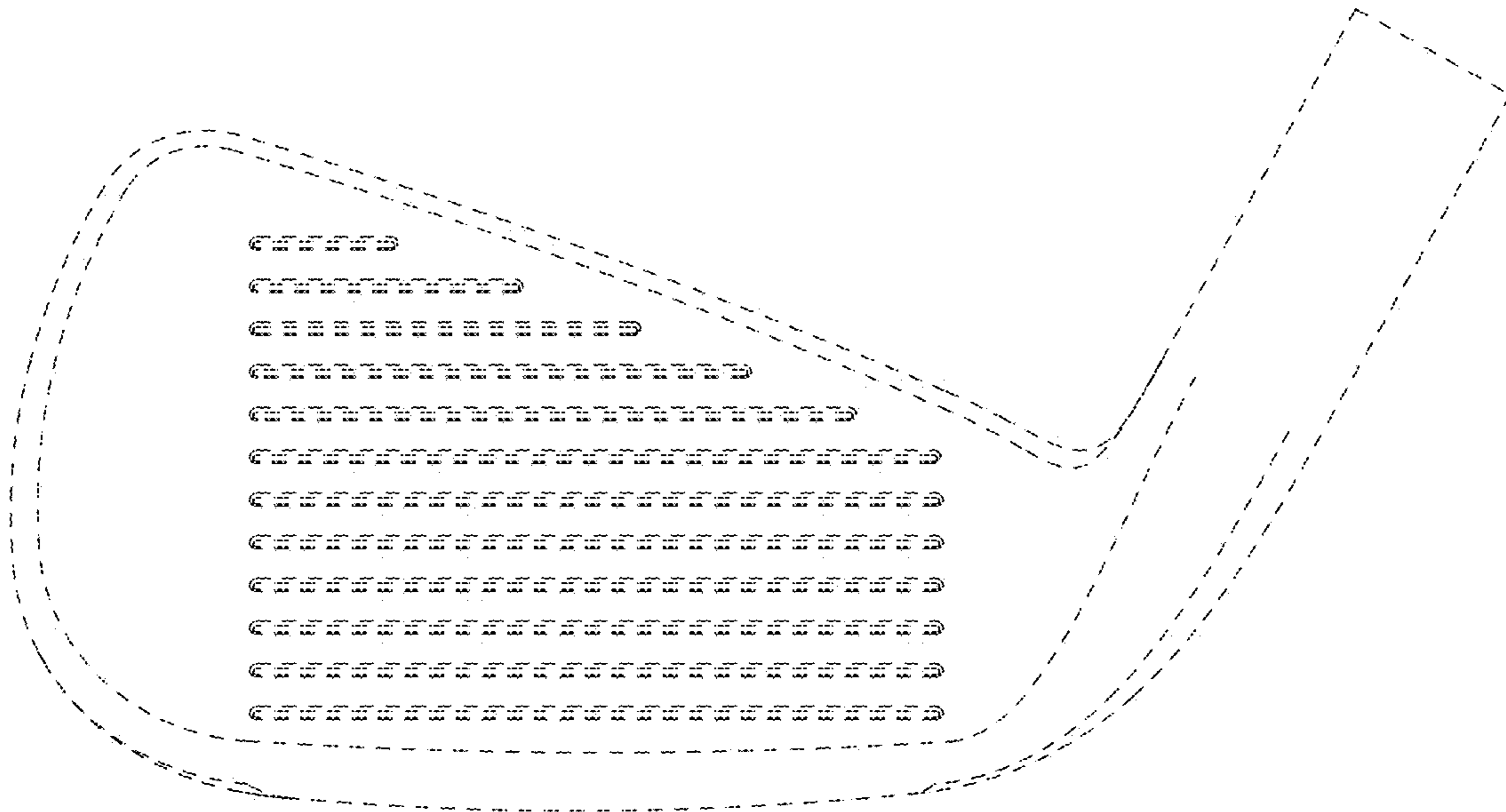


FIG. 11

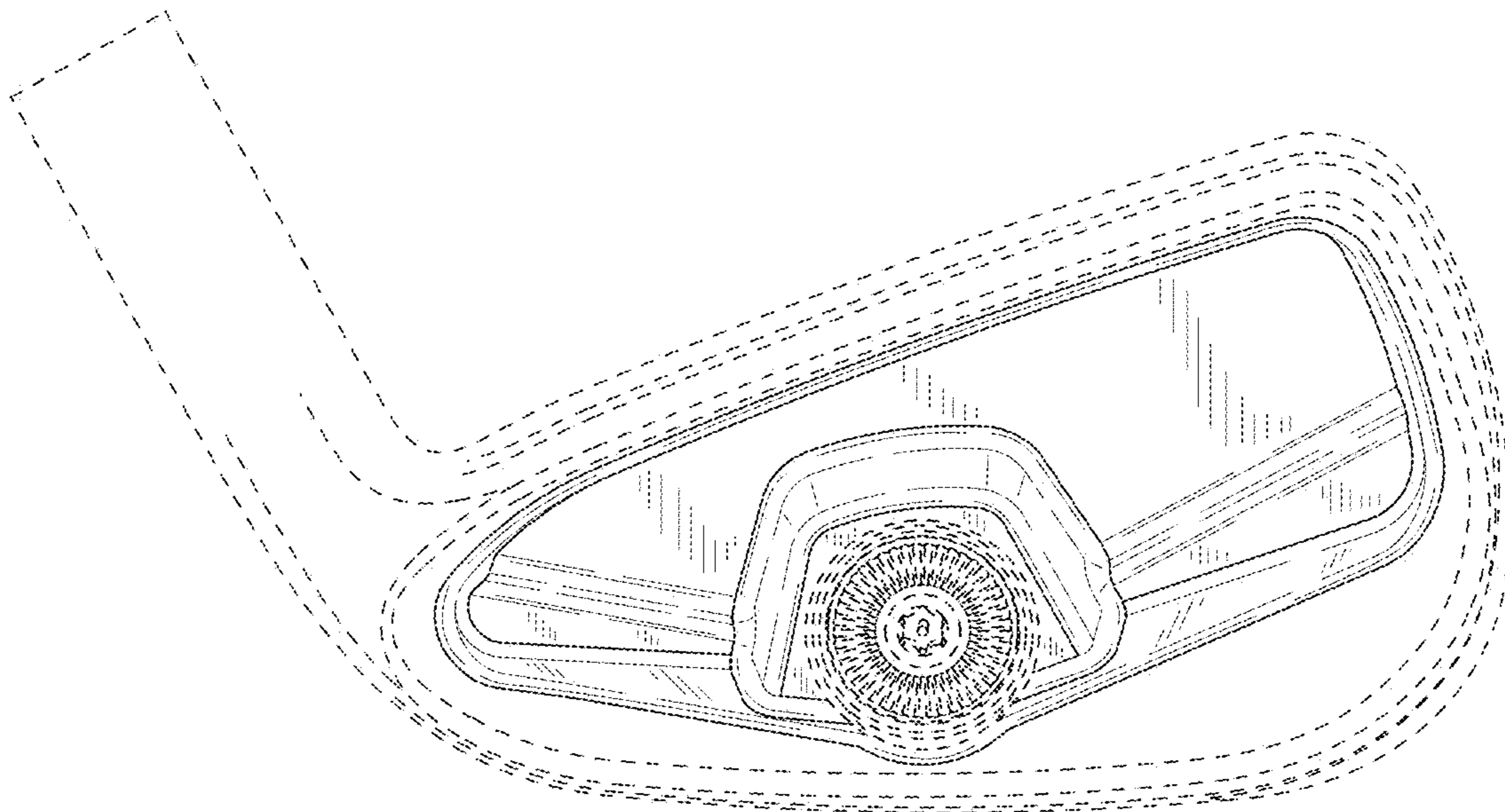


FIG. 12

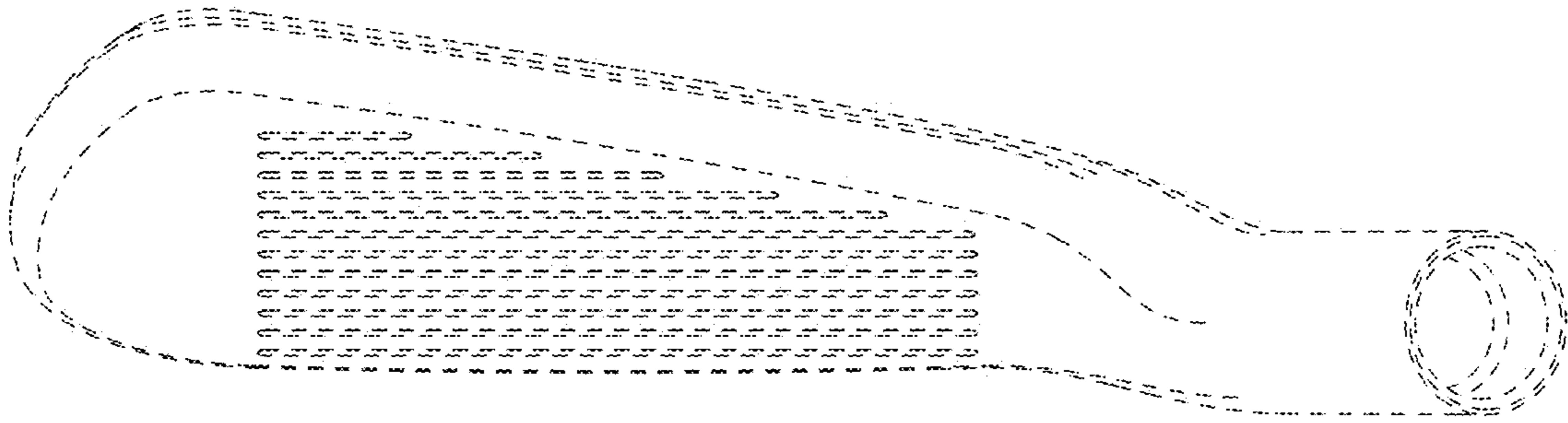


FIG. 13

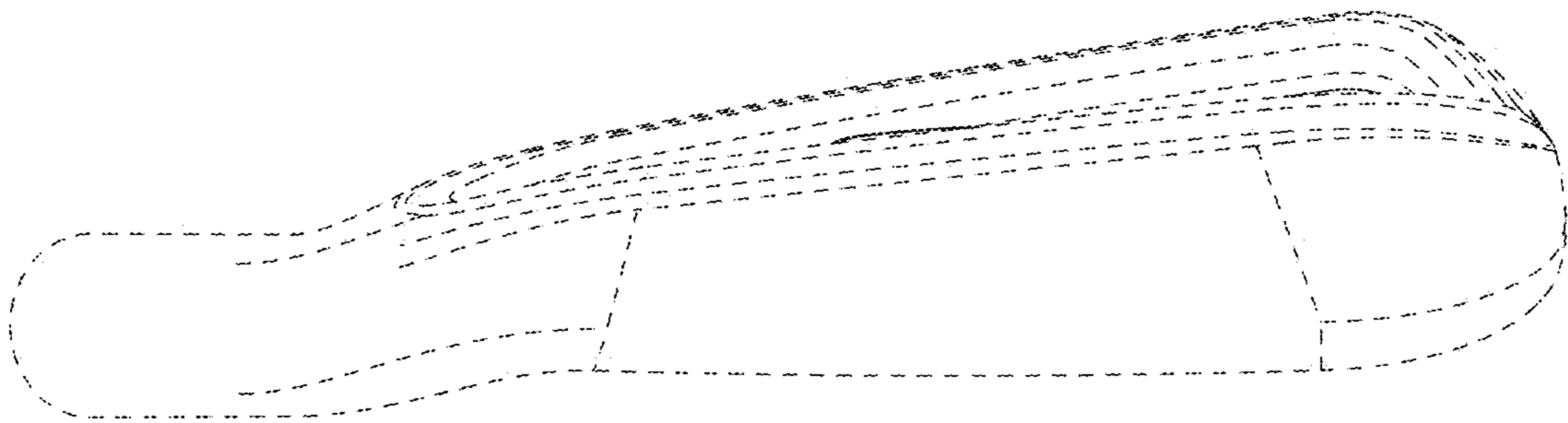


FIG. 14

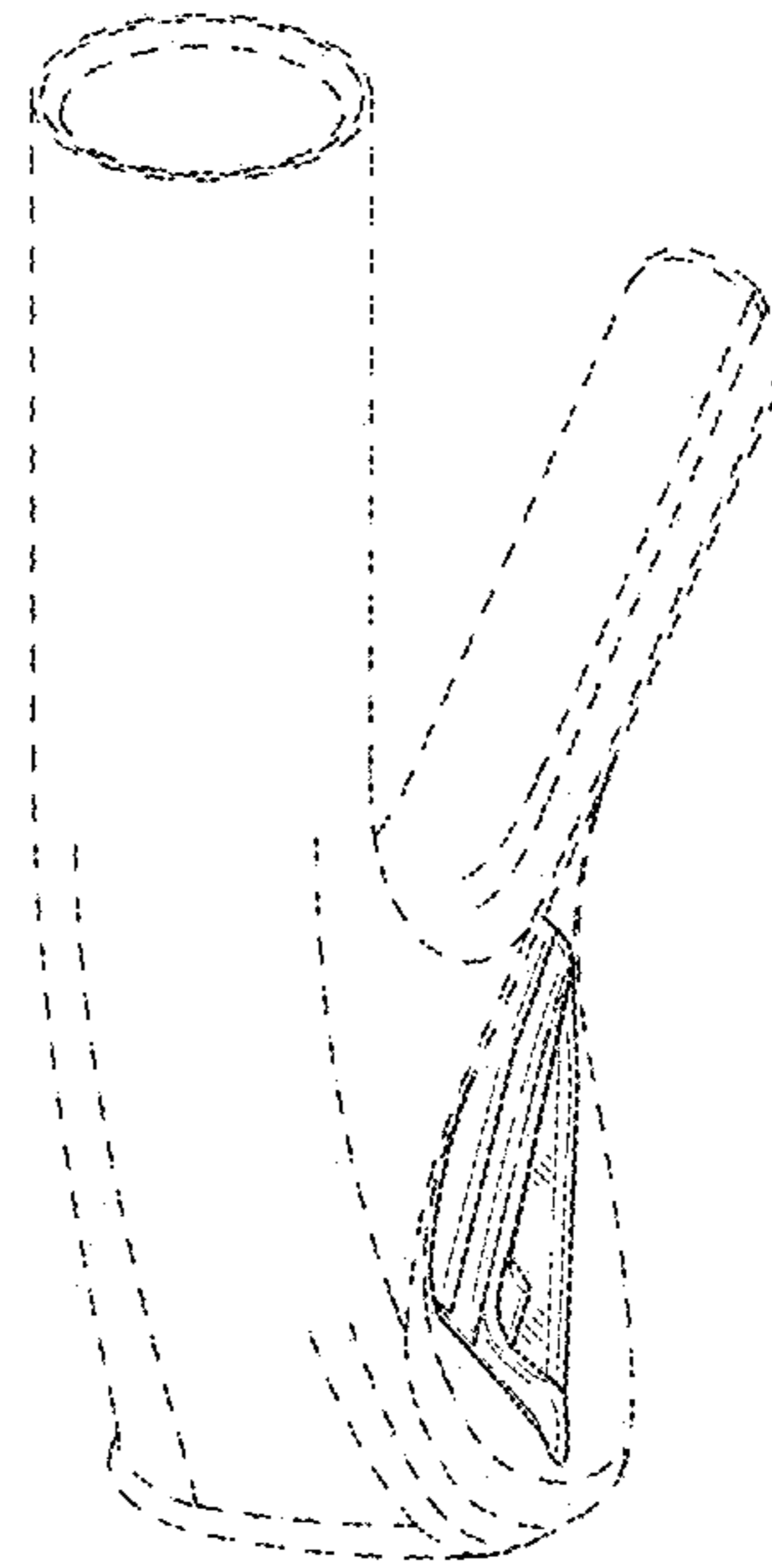


FIG. 15



FIG. 16