



US00D973811S

(12) **United States Design Patent**
Kuan et al.

(10) **Patent No.:** **US D973,811 S**

(45) **Date of Patent:** **** Dec. 27, 2022**

(54) **GOLF CLUB HEAD**

(71) Applicant: **SUMITOMO RUBBER INDUSTRIES, LTD.**, Kobe (JP)

(72) Inventors: **Jimmy Kuan**, West Covina, CA (US);
Darius Cyrulik, Alhambra, CA (US);
Isaac Chang, Fullerton, CA (US);
Alexandra Agrella, Vista, CA (US);
Phillip Seagram, Somerville, MA (US)

(73) Assignee: **SUMITOMO RUBBER INDUSTRIES, LTD.**, Kobe (JP)

(**) Term: **15 Years**

(21) Appl. No.: **29/780,094**

(22) Filed: **Apr. 22, 2021**

(51) **LOC (13) Cl.** **21-02**

(52) **U.S. Cl.**
USPC **D21/759**

(58) **Field of Classification Search**
USPC D21/736-746, 759
CPC A63B 53/00; A63B 53/04; A63B 53/007;
A63B 53/065; A63B 53/0487; A63B
60/00; A63B 60/46
See application file for complete search history.

(56) **References Cited**

U.S. PATENT DOCUMENTS

5,308,067	A *	5/1994	Cook	A63B 53/0487
					473/341
D381,383	S *	7/1997	Brett	D21/744
D447,203	S *	8/2001	Sanchez	D21/759
D447,204	S *	8/2001	Solheim	D21/759
D448,440	S *	9/2001	Solheim	D21/759
D454,170	S *	3/2002	Petersen	D21/759
D454,379	S *	3/2002	Solheim	D21/759
D456,868	S *	5/2002	Solheim	D21/759
D484,935	S *	1/2004	Tang	D21/738

D564,606	S *	3/2008	Oldknow	D21/736
D840,482	S *	2/2019	Serrano	D21/736
D867,496	S *	11/2019	Cameron	D21/736
D874,589	S *	2/2020	Parente	D21/736
D906,453	S *	12/2020	Agrella	D21/743
D906,456	S *	12/2020	Cyrulik	D21/759
D906,458	S *	12/2020	Agrella	D21/759
D907,146	S *	1/2021	Cyrulik	D21/736
D907,147	S *	1/2021	Agrella	D21/743
D907,149	S *	1/2021	Agrella	D21/759
D929,515	S *	8/2021	Wang	D21/743
D934,969	S *	11/2021	Toulon	D21/736
D958,914	S *	7/2022	Rollinson	D21/744
D963,086	S *	9/2022	Parsons	D21/736
D963,087	S *	9/2022	Nicolette	D21/736
D963,088	S *	9/2022	Nicolette	D21/736
2021/0001190	A1 *	1/2021	Lambeth	A63B 53/04

OTHER PUBLICATIONS

Golf putters google search; google.com; Oct. 15, 2022.*

* cited by examiner

Primary Examiner — Mitchell I. Siegel

(74) *Attorney, Agent, or Firm* — Oliff PLC

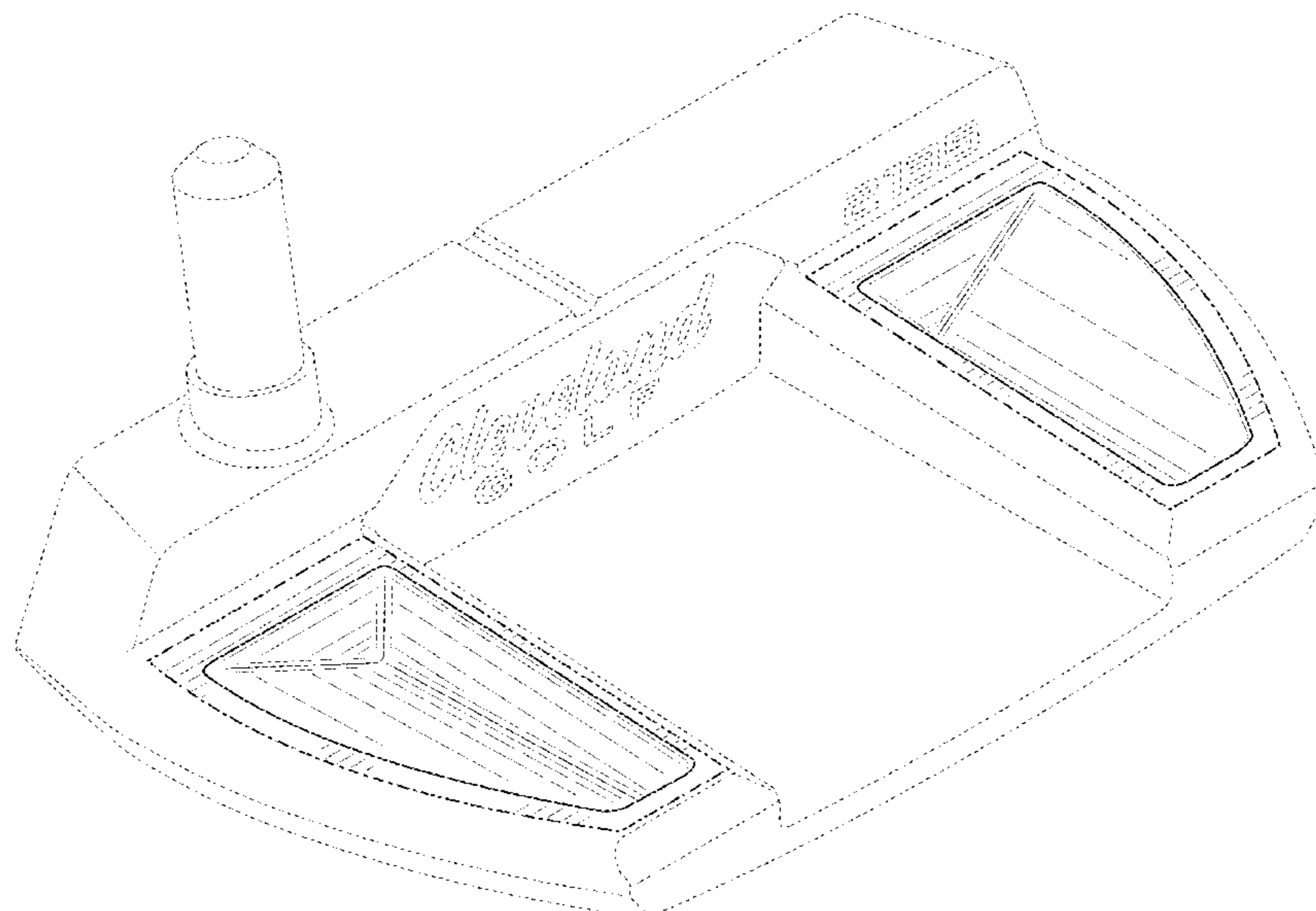
(57) **CLAIM**

The ornamental design for a golf club head, as shown and described.

DESCRIPTION

FIG. 1 is a rear, heel-side, top perspective view of a golf club head, showing the new design;
FIG. 2 is a top plan view thereof;
FIG. 3 is a rear elevational view thereof; and,
FIG. 4 is a front, heel-side, top perspective view thereof.
The broken lines depict parts of the golf club head that form no part of the claimed design. The dot-dash chain lines depict boundaries of the claimed subject matter and form no part of the claimed design.

1 Claim, 4 Drawing Sheets



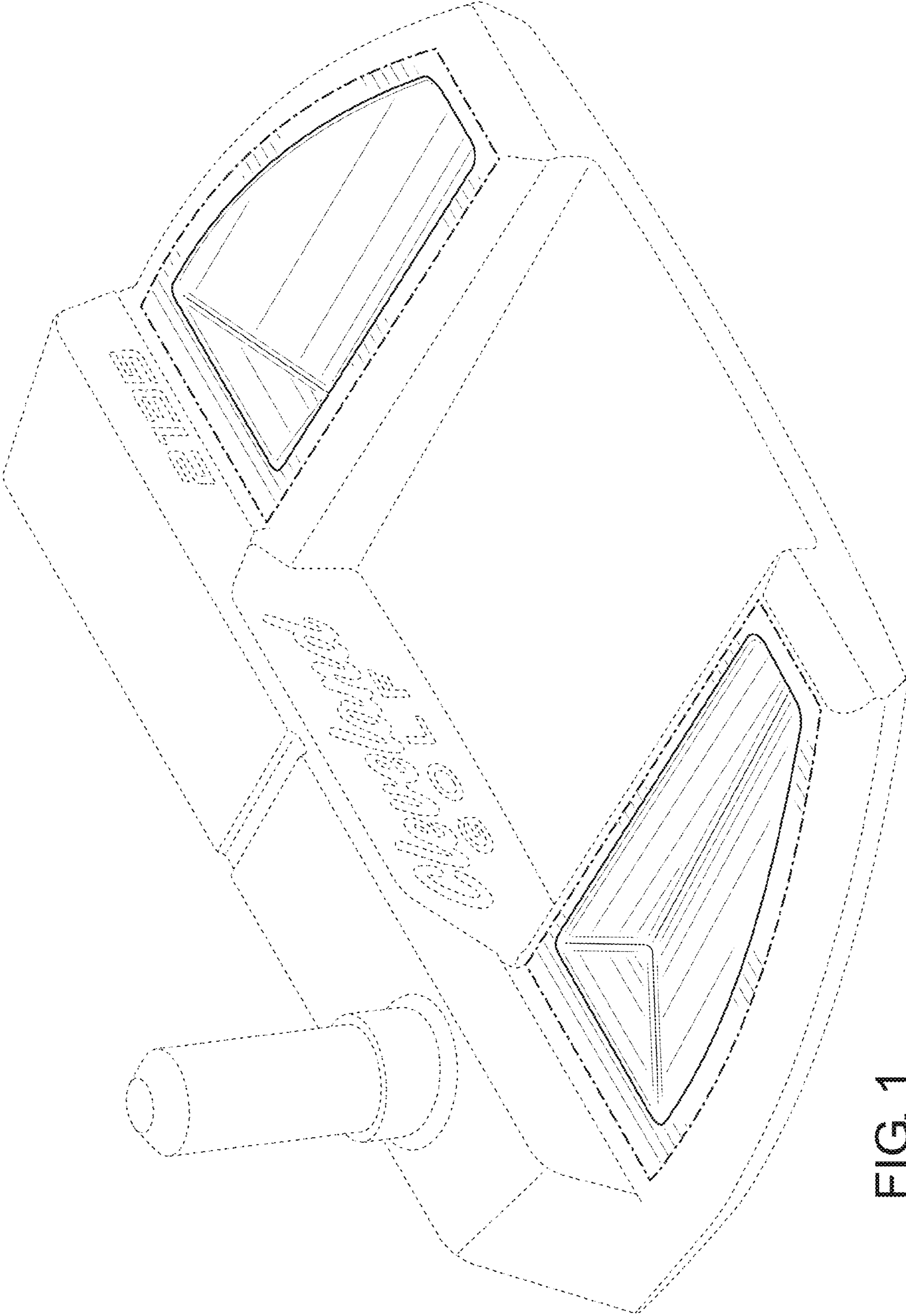


FIG. 1

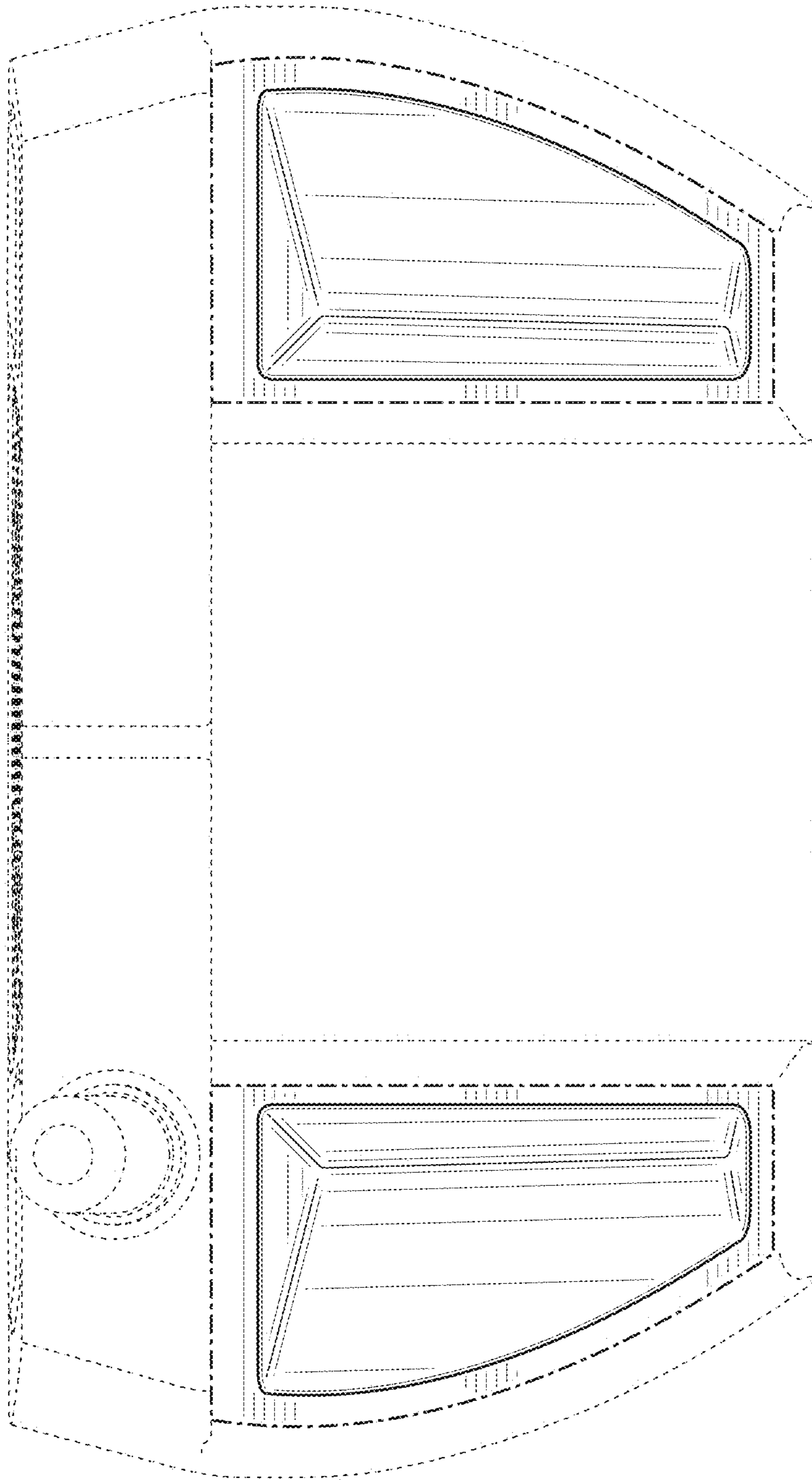


FIG. 2

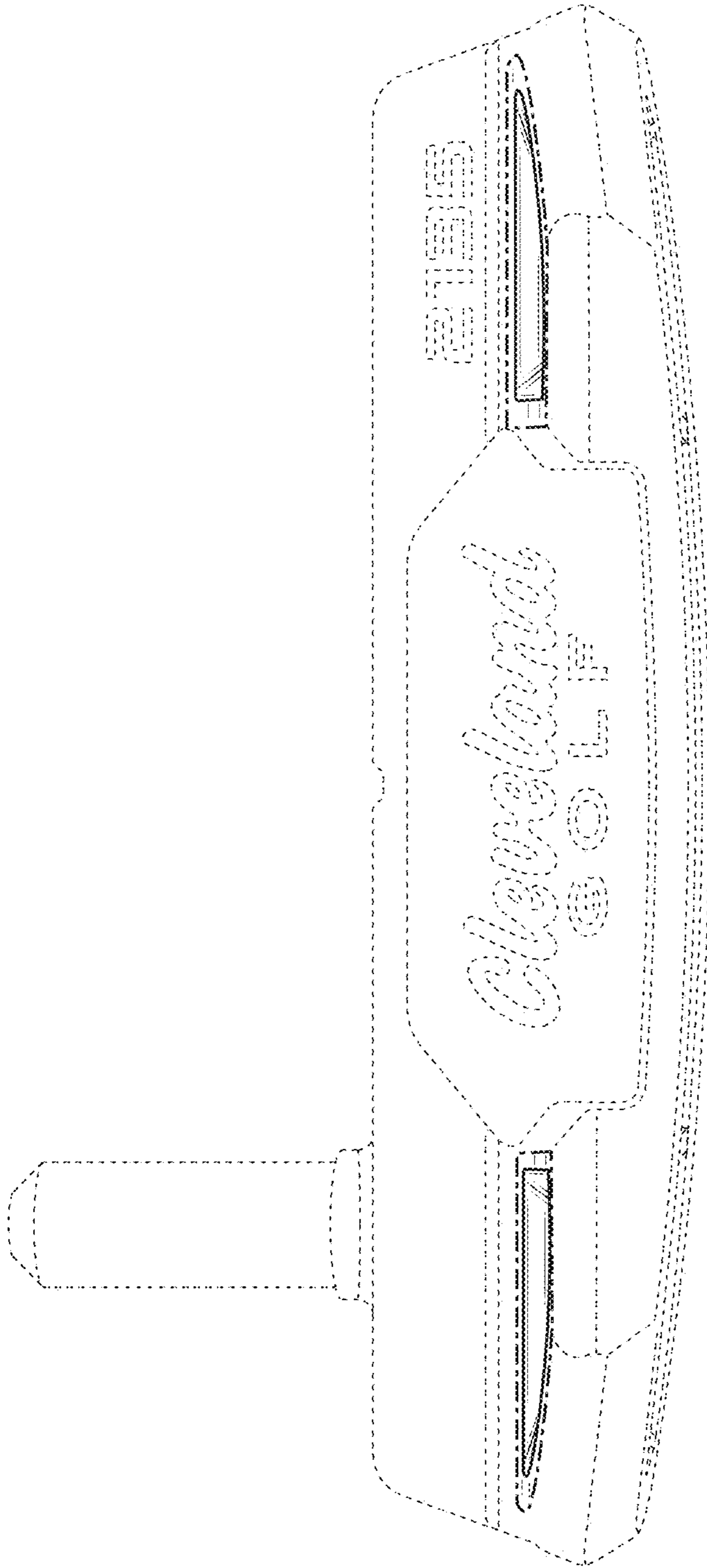


FIG. 3

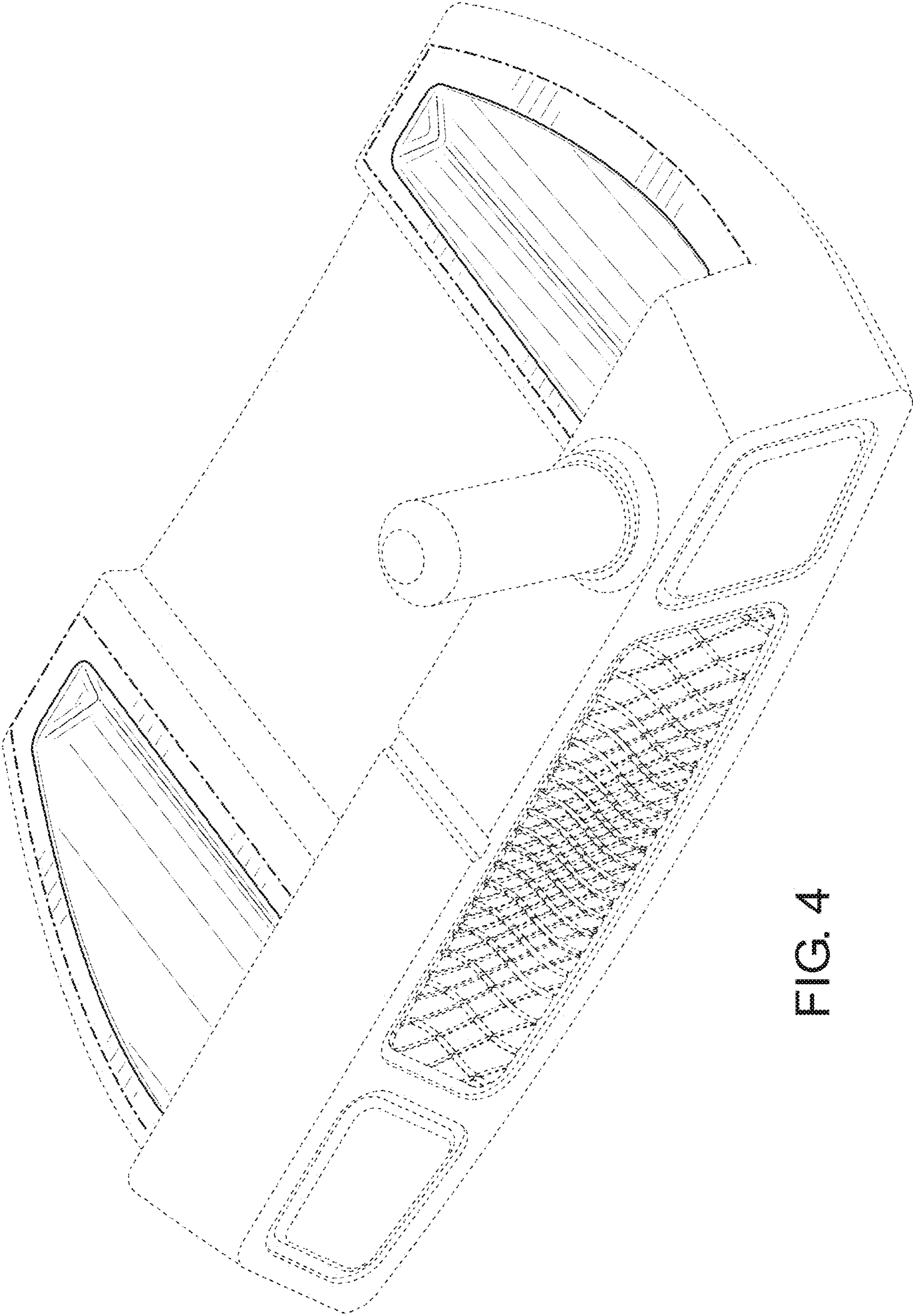


FIG. 4