

US00D973808S

(12) **United States Design Patent**
Parsons et al.

(10) **Patent No.:** **US D973,808 S**

(45) **Date of Patent:** **** Dec. 27, 2022**

(54) **GOLF CLUB HEAD**

CPC A63B 53/00; A63B 53/04; A63B 53/0466;
A63B 2053/002; A63B 2053/0445; A63B
2053/0433; A63B 2053/0491; A63B
2053/0437; A63B 60/00; A63B 60/46
See application file for complete search history.

(71) Applicant: **PARSONS XTREME GOLF, LLC**,
Scottsdale, AZ (US)

(72) Inventors: **Robert R. Parsons**, Scottsdale, AZ
(US); **Bradley D. Schweigert**, Cave
Creek, AZ (US); **Michael R. Nicolette**,
Scottsdale, AZ (US); **Caleb S. Kroloff**,
Phoenix, AZ (US); **Matthew T.
Andrews**, Scottsdale, AZ (US)

(56)

References Cited

U.S. PATENT DOCUMENTS

(73) Assignee: **PARSONS XTREME GOLF, LLC**,
Scottsdale, AZ (US)

(**) Term: **15 Years**

(21) Appl. No.: **29/841,823**

(22) Filed: **Jun. 8, 2022**

1,133,129 A	3/1915	Govan
1,269,745 A	6/1918	Robertson
1,306,029 A	6/1919	Robertson
D55,867 S	7/1920	Matters
1,509,429 A	9/1924	Hillerich
1,534,600 A	4/1925	Mattern
1,538,312 A	5/1925	Neish
1,543,691 A	6/1925	Beat
1,774,590 A	9/1930	Buhrke
D84,525 S	6/1931	Klin
D94,549 S	2/1935	Jansky
D94,550 S	2/1935	Jansky
D138,437 S	8/1944	Link
D138,438 S	8/1944	Link
D138,439 S	8/1944	Link
D138,441 S	8/1944	Link
D138,442 S	8/1944	Link
D185,177 S	5/1959	Smith
3,556,533 A	1/1971	Hollis
3,652,094 A	3/1972	Glover
D229,431 S	11/1973	Baker
D234,609 S	3/1975	Raymont
D234,610 S	3/1975	Raymont
D240,748 S	7/1976	Bock et al.
D241,956 S	10/1976	Timbrook
4,085,934 A	4/1978	Churchward
D253,778 S	12/1979	Madison
4,332,388 A	6/1982	Crow
D285,954 S	9/1986	Hasegawa
4,824,116 A	4/1989	Nagamoto et al.
D307,783 S	5/1990	Iinuma
D310,254 S	8/1990	Take et al.
4,988,104 A	1/1991	Shiotani et al.
D326,885 S	6/1992	Paul
5,158,296 A	10/1992	Lee
5,213,328 A	5/1993	Long et al.
5,213,329 A	5/1993	Okumoto et al.
D338,935 S	8/1993	Antonious
D344,561 S	2/1994	Gorman
D351,883 S	10/1994	Solheim et al.
5,451,056 A	9/1995	Manning
5,518,243 A	5/1996	Redman

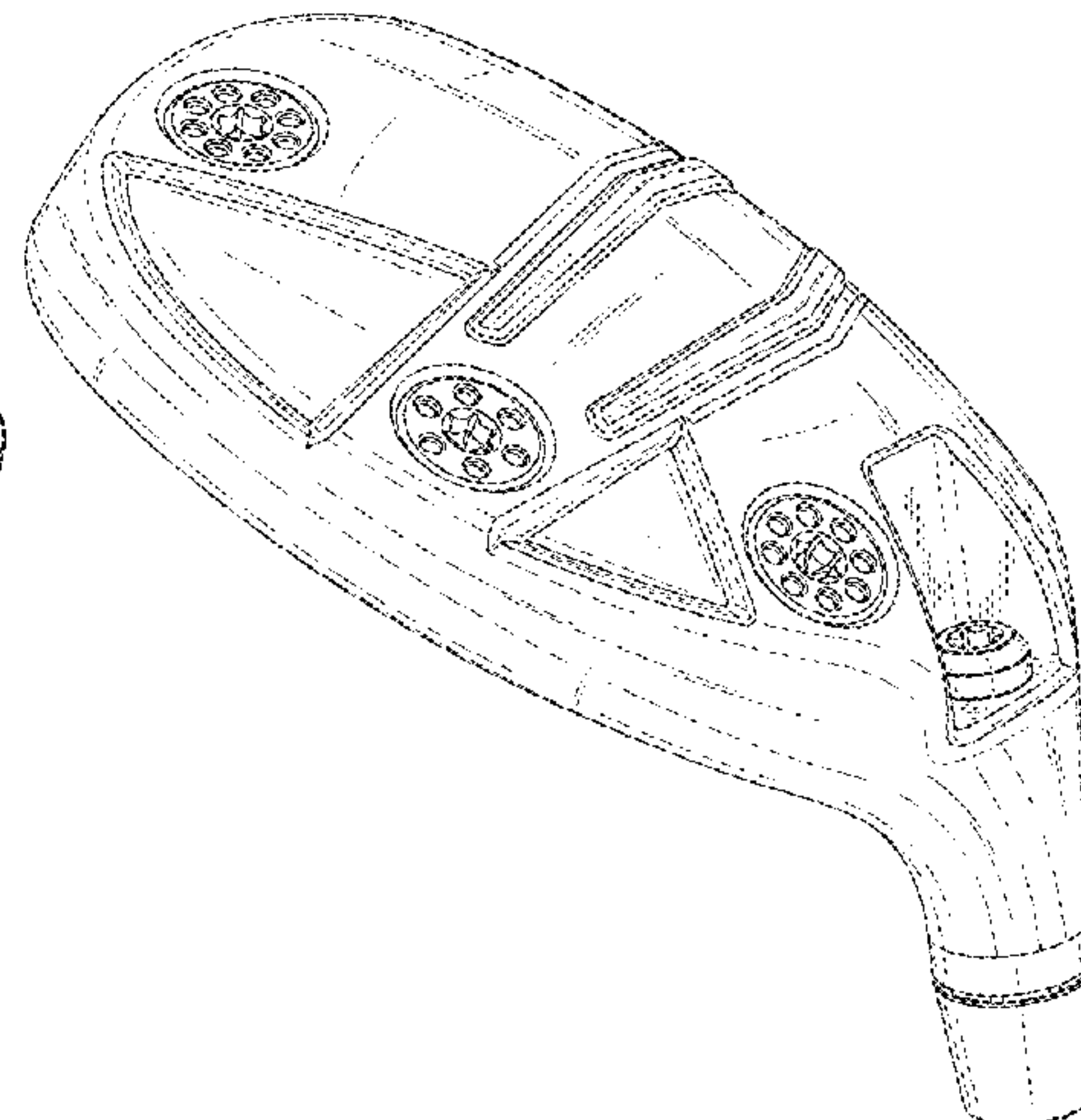
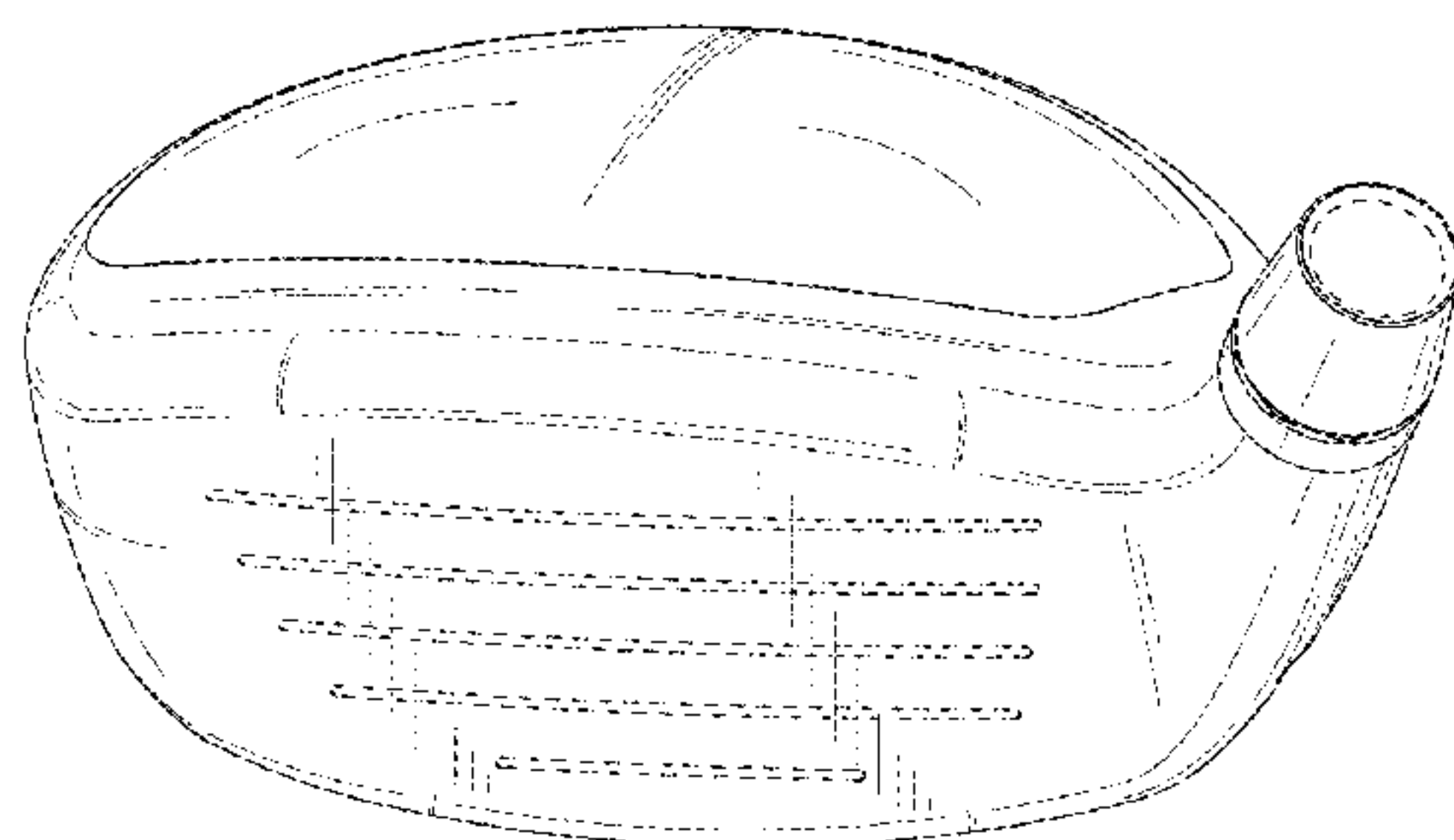
Related U.S. Application Data

(63) Continuation-in-part of application No. 29/833,450,
filed on Apr. 4, 2022, which is a continuation of
application No. 29/804,593, filed on Aug. 20, 2021,
now Pat. No. Des. 952,086, which is a
continuation-in-part of application No. 29/803,547,
filed on Aug. 13, 2021, now Pat. No. Des. 952,084,
which is a continuation-in-part of application No.
29/800,518, filed on Jul. 21, 2021, now Pat. No. Des.
941,946, which is a continuation-in-part of
application No. 29/754,405, filed on Oct. 9, 2020,
now Pat. No. Des. 954,877, which is a
continuation-in-part of application No. 29/745,977,
filed on Aug. 11, 2020, now abandoned.

(51) **LOC (13) Cl.** **21-02**

(52) **U.S. Cl.**
USPC **D21/752**

(58) **Field of Classification Search**
USPC D21/733, 752, 759



US D973,808 S

D371,816 S	7/1996	Yoshioka		D558,288 S	12/2007	Jertson et al.	
D378,111 S *	2/1997	Parente	D21/752	D560,262 S	1/2008	Nguyen et al.	
5,637,045 A	6/1997	Igarashi		D561,856 S *	2/2008	Barez	D21/752
D384,120 S *	9/1997	De La Cruz	D21/752	D562,421 S	2/2008	Jertson et al.	
D393,678 S	4/1998	Jones et al.		7,326,126 B2	2/2008	Holt et al.	
5,788,584 A	8/1998	Parente et al.		7,335,113 B2	2/2008	Hocknell et al.	
D400,625 S	11/1998	Kubica et al.		D563,498 S	3/2008	Jertson et al.	
D400,627 S	11/1998	Kubica et al.		D564,054 S	3/2008	Jertson et al.	
D401,989 S *	12/1998	Sheets	D21/733	D564,055 S	3/2008	Jertson et al.	
D402,339 S *	12/1998	Sheets	D21/733	7,338,388 B2	3/2008	Schweigert et al.	
D402,340 S *	12/1998	Sheets	D21/733	7,344,449 B2	3/2008	Hocknell et al.	
D402,726 S *	12/1998	McCabe	D21/753	D567,317 S	4/2008	Jertson et al.	
5,851,155 A	12/1998	Wood et al.		D569,933 S	5/2008	Jertson et al.	
D405,489 S	2/1999	Kubica et al.		D569,934 S	5/2008	Jertson et al.	
D405,492 S	2/1999	Kubica et al.		D569,935 S	5/2008	Schweigert et al.	
5,951,411 A	9/1999	Wood et al.		D569,936 S	5/2008	Schweigert et al.	
D433,073 S *	10/2000	Sodano	D21/752	D569,942 S	5/2008	Jertson et al.	
D434,822 S	12/2000	Jacobson et al.		D570,937 S	6/2008	Schweigert et al.	
D444,830 S	7/2001	Kubica et al.		D570,938 S	6/2008	Jertson et al.	
D448,824 S	10/2001	Koizumi et al.		7,407,447 B2	8/2008	Beach et al.	
D449,665 S	10/2001	Etherton et al.		7,410,425 B2	8/2008	Willett et al.	
6,306,048 B1	10/2001	McCabe et al.		7,410,426 B2	8/2008	Willett et al.	
6,352,482 B1	3/2002	Jacobson et al.		7,419,441 B2	9/2008	Hoffman et al.	
D460,989 S	7/2002	Ehlers		7,427,239 B2	9/2008	Hocknell et al.	
D469,141 S *	1/2003	Poynor	D21/759	D579,507 S	10/2008	Llewellyn et al.	
D473,276 S	4/2003	Kenmi		7,448,963 B2	11/2008	Beach et al.	
D473,604 S	4/2003	Antonious		7,448,964 B2	11/2008	Schweigert et al.	
D478,140 S	8/2003	Burrows		7,465,239 B2	12/2008	Hocknell et al.	
D481,087 S	10/2003	Antonious		D584,782 S	1/2009	Barez et al.	
6,638,182 B2	10/2003	Kosmatka		D584,783 S	1/2009	Barez et al.	
D491,992 S	6/2004	Baiocchi		D584,784 S	1/2009	Barez et al.	
6,773,360 B2	8/2004	Willett et al.		7,476,160 B2	1/2009	Hocknell et al.	
D502,520 S	3/2005	Dogan et al.		D588,663 S	3/2009	Lee	
D505,701 S	5/2005	Dogan et al.		D591,379 S	4/2009	Cruz et al.	
6,890,269 B2	5/2005	Burrows		D591,815 S	5/2009	Cruz et al.	
D508,969 S	8/2005	Hasebe		7,530,900 B2	5/2009	Holt et al.	
6,939,247 B1	9/2005	Schweigert et al.		7,530,904 B2	5/2009	Beach et al.	
D513,051 S	12/2005	Barez et al.		D594,520 S	6/2009	Schweigert et al.	
D514,179 S	1/2006	Chen et al.		D594,521 S	6/2009	Jertson et al.	
D514,185 S	1/2006	Barez et al.		D594,919 S	6/2009	Schweigert et al.	
D515,157 S	2/2006	Madore		7,540,811 B2	6/2009	Beach et al.	
D515,642 S	2/2006	Antonious		D597,620 S	8/2009	Taylor et al.	
D518,129 S *	3/2006	Poynor	D21/759	7,568,985 B2	8/2009	Beach et al.	
D520,585 S	5/2006	Hasebe		7,578,749 B2	8/2009	Hocknell et al.	
D520,586 S	5/2006	Bingman		7,578,753 B2	8/2009	Beach et al.	
D521,093 S *	5/2006	Jorgensen	D21/759	D600,297 S	9/2009	Jertson et al.	
D522,077 S	5/2006	Schweigert et al.		7,591,738 B2	9/2009	Beach et al.	
D522,601 S	6/2006	Schweigert et al.		D603,472 S	11/2009	Schweigert et al.	
D523,103 S	6/2006	Hocknell et al.		7,611,422 B2	11/2009	Hocknell et al.	
D523,104 S	6/2006	Hasebe		7,611,424 B2	11/2009	Nagai et al.	
D523,498 S	6/2006	Chen et al.		7,621,823 B2	11/2009	Beach et al.	
D523,502 S *	6/2006	Jorgensen	D21/752	D605,715 S	12/2009	Barez et al.	
D524,392 S	7/2006	Madore et al.		7,658,686 B2	2/2010	Soracco	
D524,396 S	7/2006	Madore et al.		D614,712 S	4/2010	Toulon et al.	
D524,397 S	7/2006	Madore et al.		7,699,717 B2	4/2010	Morris et al.	
D526,694 S	8/2006	Schweigert et al.		7,704,158 B2	4/2010	Burrows	
7,083,529 B2	8/2006	Cackett et al.		7,713,142 B2	5/2010	Hoffman et al.	
D533,611 S	12/2006	Mahaffey et al.		7,717,804 B2	5/2010	Beach et al.	
D534,229 S *	12/2006	Barez	D21/752	7,717,805 B2	5/2010	Beach et al.	
D534,599 S	1/2007	Barez et al.		D618,746 S	6/2010	Jertson et al.	
7,166,040 B2	1/2007	Hoffman et al.		D618,747 S	6/2010	Schweigert et al.	
D536,401 S	2/2007	Kawami		D618,748 S *	6/2010	Oldknow	D21/759
D536,402 S	2/2007	Kawami		D618,751 S	6/2010	Breier et al.	
D536,403 S	2/2007	Kawami		D618,753 S	6/2010	Jertson et al.	
D537,495 S	2/2007	Schweigert et al.		D618,754 S	6/2010	Schweigert et al.	
D537,896 S	3/2007	Holt et al.		7,744,484 B1	6/2010	Chao	
D538,363 S	3/2007	Schweigert et al.		7,798,203 B2	9/2010	Schweigert et al.	
D538,371 S	3/2007	Kawami		7,846,041 B2	12/2010	Beach et al.	
7,186,190 B1	3/2007	Beach et al.		7,874,934 B2	1/2011	Soracco et al.	
D541,364 S *	4/2007	Barez	D21/759	7,878,921 B2	2/2011	Bennett et al.	
7,223,180 B2	5/2007	Willett et al.		7,887,431 B2	2/2011	Beach et al.	
D550,318 S *	9/2007	Oldknow	D21/759	D635,626 S	4/2011	Nicolette	
D552,198 S	10/2007	Schweigert et al.		7,927,229 B2	4/2011	Jertson et al.	
D554,719 S *	11/2007	Barez	D21/752	7,931,543 B2	4/2011	Burrows	
D554,720 S *	11/2007	Barez	D21/752	D638,893 S	5/2011	Schweigert et al.	
D556,280 S	11/2007	Madore		D638,896 S	5/2011	Schweigert et al.	
7,300,359 B2	11/2007	Hocknell et al.		7,955,183 B2	6/2011	Burrows	
D557,363 S	12/2007	Jertson et al.		7,963,861 B2	6/2011	Beach et al.	
D558,287 S	12/2007	Jertson et al.		7,980,959 B2	7/2011	Morris et al.	

US D973,808 S

7,997,997 B2	8/2011	Bennett et al.		D726,854 S *	4/2015	Song	D21/759
8,002,644 B2	8/2011	Hocknell et al.		D729,892 S	5/2015	Nicolette et al.	
8,012,038 B1	9/2011	Beach et al.		D733,234 S	6/2015	Nicolette	
D647,585 S	10/2011	Jertson et al.		9,199,140 B1	12/2015	Schweigert et al.	
8,057,320 B2	11/2011	Bennett et al.		D746,927 S	1/2016	Parsons et al.	
D652,464 S	1/2012	Bertone et al.		D753,251 S	4/2016	Schweigert et al.	
8,096,894 B2	1/2012	Sander		D755,319 S	5/2016	Nicolette et al.	
8,096,895 B2	1/2012	Hocknell et al.		D757,194 S	5/2016	Stokke et al.	
8,133,131 B1	3/2012	Bennett et al.		9,352,197 B2	5/2016	Parsons et al.	
8,142,306 B2	3/2012	Cruz et al.		D759,178 S	6/2016	Nicolette	
8,147,350 B2	4/2012	Beach et al.		D760,334 S	6/2016	Schweigert et al.	
8,147,351 B2	4/2012	Bennett et al.		9,399,158 B2	7/2016	Parsons et al.	
8,177,661 B2	5/2012	Beach et al.		D764,614 S	8/2016	Parsons et al.	
D661,751 S	6/2012	Nicolette et al.		9,403,067 B2	8/2016	Zimmerman et al.	
D661,756 S	6/2012	Nicolette et al.		D765,808 S	9/2016	Cardani et al.	
8,216,084 B2	7/2012	Bennett et al.		D766,391 S	9/2016	Cardani et al.	
8,235,834 B2	8/2012	Cruz et al.		D767,696 S	9/2016	Parsons et al.	
8,235,835 B2	8/2012	Soracco		D771,209 S *	11/2016	Chen	D21/752
8,235,836 B2	8/2012	Soracco et al.		D773,576 S	12/2016	Schweigert	
8,235,837 B2	8/2012	Bennett et al.		D776,216 S	1/2017	Schweigert et al.	
8,235,838 B2	8/2012	Burrows		D777,273 S *	1/2017	Stokke	D21/759
8,235,839 B2	8/2012	Bennett et al.		D777,274 S *	1/2017	Stokke	D21/759
8,235,840 B2	8/2012	Hocknell et al.		D777,856 S *	1/2017	Jertson	D21/752
8,257,193 B2	9/2012	Hocknell et al.		D777,858 S *	1/2017	Schweigert	D21/752
8,257,196 B1	9/2012	Abbott et al.		9,630,070 B2	4/2017	Parsons et al.	
8,262,498 B2	9/2012	Beach et al.		D786,377 S	5/2017	Parsons et al.	
8,262,506 B2 *	9/2012	Watson	A63B 53/0466 473/334	D791,257 S	7/2017	Oldknow et al.	
8,303,431 B2	11/2012	Beach et al.		D795,978 S	8/2017	Parsons et al.	
D673,630 S	1/2013	Schweigert		D802,069 S *	11/2017	Parsons	D21/752
D673,632 S	1/2013	Schweigert et al.		D802,070 S	11/2017	Parsons et al.	
8,360,897 B2	1/2013	Morris et al.		D807,976 S	1/2018	Parsons et al.	
8,371,957 B2	2/2013	Schweigert et al.		D813,327 S *	3/2018	Kim	D21/752
8,376,874 B2	2/2013	Bennett et al.		D821,514 S	6/2018	Sillies	
D680,179 S	4/2013	Solheim et al.		D822,134 S	7/2018	Parsons et al.	
8,414,422 B2	4/2013	Peralta et al.		D823,410 S	7/2018	Parsons et al.	
8,419,567 B2	4/2013	Jertson et al.		D823,958 S *	7/2018	Stokke	D21/752
D682,378 S	5/2013	Holt et al.		D827,067 S	8/2018	Becktor et al.	
8,485,919 B2 *	7/2013	Rice	A63B 60/02 473/334	D827,745 S	9/2018	Schweigert et al.	
8,496,541 B2	7/2013	Beach et al.		D839,372 S *	1/2019	Schweigert	D21/752
D687,504 S	8/2013	Stokke et al.		D850,551 S	6/2019	Parsons et al.	
8,517,855 B2	8/2013	Beach et al.		D852,303 S	6/2019	Parsons et al.	
8,517,856 B2	8/2013	Bennett et al.		D852,304 S	6/2019	Parsons et al.	
8,523,701 B2	9/2013	Knutson et al.		D852,305 S	6/2019	Parsons et al.	
D691,230 S	10/2013	Chen et al.		10,376,754 B2	8/2019	Parsons et al.	
8,545,344 B2	10/2013	Cruz et al.		D861,811 S *	10/2019	Jertson	D21/752
8,562,457 B2	10/2013	Beach et al.		D865,886 S	11/2019	Parsons et al.	
8,602,907 B2	12/2013	Beach et al.		10,695,624 B2	6/2020	Parsons et al.	
8,608,587 B2	12/2013	Henrikson et al.		10,722,765 B2	7/2020	Schweigert et al.	
8,622,847 B2	1/2014	Beach et al.		D897,462 S	9/2020	Parsons et al.	
8,622,848 B2	1/2014	Bennett et al.		D897,463 S	9/2020	Parsons et al.	
8,628,431 B2	1/2014	Schweigert et al.		D897,464 S	9/2020	Parsons et al.	
8,632,417 B2	1/2014	Sander et al.		D914,817 S	3/2021	Parsons et al.	
8,641,554 B1	2/2014	Hocknell et al.		D914,820 S	3/2021	Parsons et al.	
8,696,487 B2	4/2014	Beach et al.		D920,454 S *	5/2021	Chun	D21/752
8,727,905 B2	5/2014	Murphy et al.		D920,455 S *	5/2021	Chun	D21/752
8,747,248 B2	6/2014	Harvell et al.		D920,456 S *	5/2021	Song	D21/752
8,747,249 B2	6/2014	Burrows		D921,786 S *	6/2021	Parsons	D21/752
8,777,771 B2	7/2014	Bennett et al.		D921,787 S *	6/2021	Parsons	D21/752
8,777,778 B2	7/2014	Solheim et al.		D923,732 S *	6/2021	Parsons	D21/752
8,784,232 B2	7/2014	Jertson et al.		D925,674 S *	7/2021	Song	D21/752
8,790,191 B2	7/2014	Jertson et al.		D926,901 S *	8/2021	Parsons	D21/752
8,790,196 B2	7/2014	Solheim et al.		D930,098 S *	9/2021	Kitching, Jr.	D21/752
8,801,538 B2	8/2014	Knutson et al.		D930,773 S *	9/2021	Parsons	D21/752
D712,989 S	9/2014	Gillig		D930,774 S *	9/2021	Nicolette	D21/752
8,845,450 B2	9/2014	Beach et al.		D930,775 S *	9/2021	Nicolette	D21/752
D714,894 S *	10/2014	Tang	D21/759	D930,776 S *	9/2021	Song	D21/752
8,852,020 B2	10/2014	Bennett et al.		D931,391 S *	9/2021	Chun	D21/752
8,858,362 B1 *	10/2014	Leposky	A63B 53/0466 473/334	D931,392 S *	9/2021	Kitching, Jr.	D21/752
8,876,627 B2	11/2014	Beach et al.		D931,393 S *	9/2021	Song	D21/752
8,926,447 B2	1/2015	Jertson et al.		D931,394 S *	9/2021	Kitching, Jr.	D21/752
D723,121 S	2/2015	Stokke et al.		D933,148 S *	10/2021	Nicolette	D21/752
8,961,330 B2	2/2015	Zimmerman et al.		D933,149 S *	10/2021	Kroloff	D21/752
D724,164 S	3/2015	Schweigert et al.		D933,150 S *	10/2021	Kroloff	D21/752
8,979,671 B1 *	3/2015	DeMille	A63B 60/00 473/334	D933,151 S *	10/2021	Kroloff	D21/752
D726,848 S *	4/2015	Song	D21/752	D938,535 S *	12/2021	Parsons	D21/752
				D940,801 S *	1/2022	Parsons	D21/752

D941,946	S *	1/2022	Parsons	D21/752	JP	3158662 U	4/2010
D944,909	S *	3/2022	Chun	D21/759	JP	2013544178 A5	11/2015
D949,271	S *	4/2022	Parsons	D21/752			
D952,084	S *	5/2022	Parsons	D21/752			
D952,086	S *	5/2022	Parsons	D21/752			
D954,877	S *	6/2022	Parsons	D21/752			
2004/0018886	A1	1/2004	Burrows				
2005/0049072	A1	3/2005	Burrows				
2006/0105856	A1	5/2006	Lo				
2006/0111200	A1	5/2006	Poynor				
2006/0287125	A1	12/2006	Hocknell et al.				
2007/0293344	A1	12/2007	Davis				
2008/0058114	A1	3/2008	Hocknell et al.				
2008/0188322	A1	8/2008	Anderson et al.				
2008/0254909	A1	10/2008	Callinan et al.				
2008/0280694	A1	11/2008	Hocknell et al.				
2009/0029795	A1	1/2009	Schweigert et al.				
2009/0062029	A1	3/2009	Stites et al.				
2009/0124407	A1	5/2009	Hocknell et al.				
2009/0247316	A1	10/2009	Cruz et al.				
2009/0264214	A1	10/2009	Cruz et al.				
2010/0016094	A1	1/2010	Hocknell et al.				
2010/0120550	A1	5/2010	Galloway				
2010/0120551	A1	5/2010	Hocknell et al.				
2010/0144461	A1	6/2010	Ban				
2010/0261543	A1	10/2010	Breier et al.				
2010/0331121	A1	12/2010	Morris et al.				
2011/0009206	A1	1/2011	Soracco				
2011/0098127	A1	4/2011	Yamamoto				
2011/0143854	A1	6/2011	Bennett et al.				
2011/0143858	A1	6/2011	Peralta et al.				
2012/0034994	A1	2/2012	Knutson et al.				
2012/0034995	A1	2/2012	Harvell et al.				
2012/0034996	A1	2/2012	Murphy et al.				
2012/0064990	A1	3/2012	Hocknell et al.				
2012/0071261	A1	3/2012	Yamamoto				
2012/0100926	A1	4/2012	Golden et al.				
2012/0202615	A1 *	8/2012	Beach	A63B 60/52 473/338			
2013/0053167	A1	2/2013	Jertson et al.				
2013/0053168	A1	2/2013	Jertson et al.				
2013/0085010	A1	4/2013	Beach et al.				
2013/0116062	A1	5/2013	Zimmerman et al.				
2013/0123038	A1	5/2013	Cole et al.				
2013/0244805	A1	9/2013	Bolane et al.				
2013/0303304	A1	11/2013	Sato				
2014/0066223	A1	3/2014	Beach et al.				
2014/0106900	A1	4/2014	Beach et al.				
2014/0121032	A1	5/2014	Stites et al.				
2014/0187345	A1	7/2014	Beach et al.				
2014/0248973	A1	9/2014	Murphy et al.				
2014/0287848	A1	9/2014	Harvell et al.				
2019/0314690	A1	10/2019	Schweigert et al.				
2020/0215397	A1	7/2020	Parsons et al.				
2020/0230471	A1	7/2020	Parsons et al.				

FOREIGN PATENT DOCUMENTS

CN	1572343	A	2/2005
CN	1608696	A	4/2005
CN	203108126	U	8/2013
CN	102143783	B	2/2014
CN	203790537	U	8/2014
EP	1955740	A1	8/2008
JP	H10241003	A	9/1998
JP	H119742	A	1/1999
JP	2002535056	A	10/2002
JP	2005287679	A	10/2005
JP	2006223331	A	8/2006
JP	2007136068	A	6/2007
JP	20080173314		7/2008

OTHER PUBLICATIONS

Pxg drivers google search; google.com; Sep. 19, 2022.*
Pxg.com; Sep. 19, 2022.*

* cited by examiner

Primary Examiner — Mitchell I. Siegel

(57)

CLAIM

The ornamental design for a golf club head, as shown and described.

DESCRIPTION

FIG. 1 is a top perspective view of a golf club head according to a first embodiment;
FIG. 2 is a bottom perspective view of the golf club head of FIG. 1;
FIG. 3 is a front elevational view of the golf club head of FIG. 1;
FIG. 4 is a rear elevational view of the golf club head of FIG. 1;
FIG. 5 is a top view of the golf club head of FIG. 1;
FIG. 6 is a bottom view of the golf club head of FIG. 1;
FIG. 7 is a left side view of the golf club head of FIG. 1;
FIG. 8 is a right side view of the golf club head of FIG. 1;
FIG. 9 is an exploded top perspective view of the golf club head according to FIG. 1;
FIG. 10 is a bottom perspective view of the golf club head of FIG. 9;
FIG. 11 is a front elevational view of the golf club head of FIG. 9;
FIG. 12 is a rear elevational view of the golf club head of FIG. 9;
FIG. 13 is a top view of the golf club head of FIG. 9;
FIG. 14 is a bottom view of the golf club head of FIG. 9;
FIG. 15 is a left side view of the golf club head of FIG. 9;
FIG. 16 is a right side view of the golf club head of FIG. 9;
FIG. 17 is an exploded top perspective view of the golf club head according to a second embodiment;
FIG. 18 is a bottom perspective view of the golf club head of FIG. 17;
FIG. 19 is a front elevational view of the golf club head of FIG. 17;
FIG. 20 is a rear elevational view of the golf club head of FIG. 17;
FIG. 21 is a top view of the golf club head of FIG. 17;
FIG. 22 is a bottom view of the golf club head of FIG. 17;
FIG. 23 is a left side view of the golf club head of FIG. 17;
FIG. 24 is a right side view of the golf club head of FIG. 17;
FIG. 25 is an exploded top perspective view of the golf club head according to a third embodiment;
FIG. 26 is a bottom perspective view of the golf club head of FIG. 25;
FIG. 27 is a front elevational view of the golf club head of FIG. 25;
FIG. 28 is a rear elevational view of the golf club head of FIG. 25;
FIG. 29 is a top view of the golf club head of FIG. 25;
FIG. 30 is a bottom view of the golf club head of FIG. 25;
FIG. 31 is a left side view of the golf club head of FIG. 25; and,
FIG. 32 is a right side view of the golf club head of FIG. 25.
The broken lines shown on the drawings form no part of the claimed design.

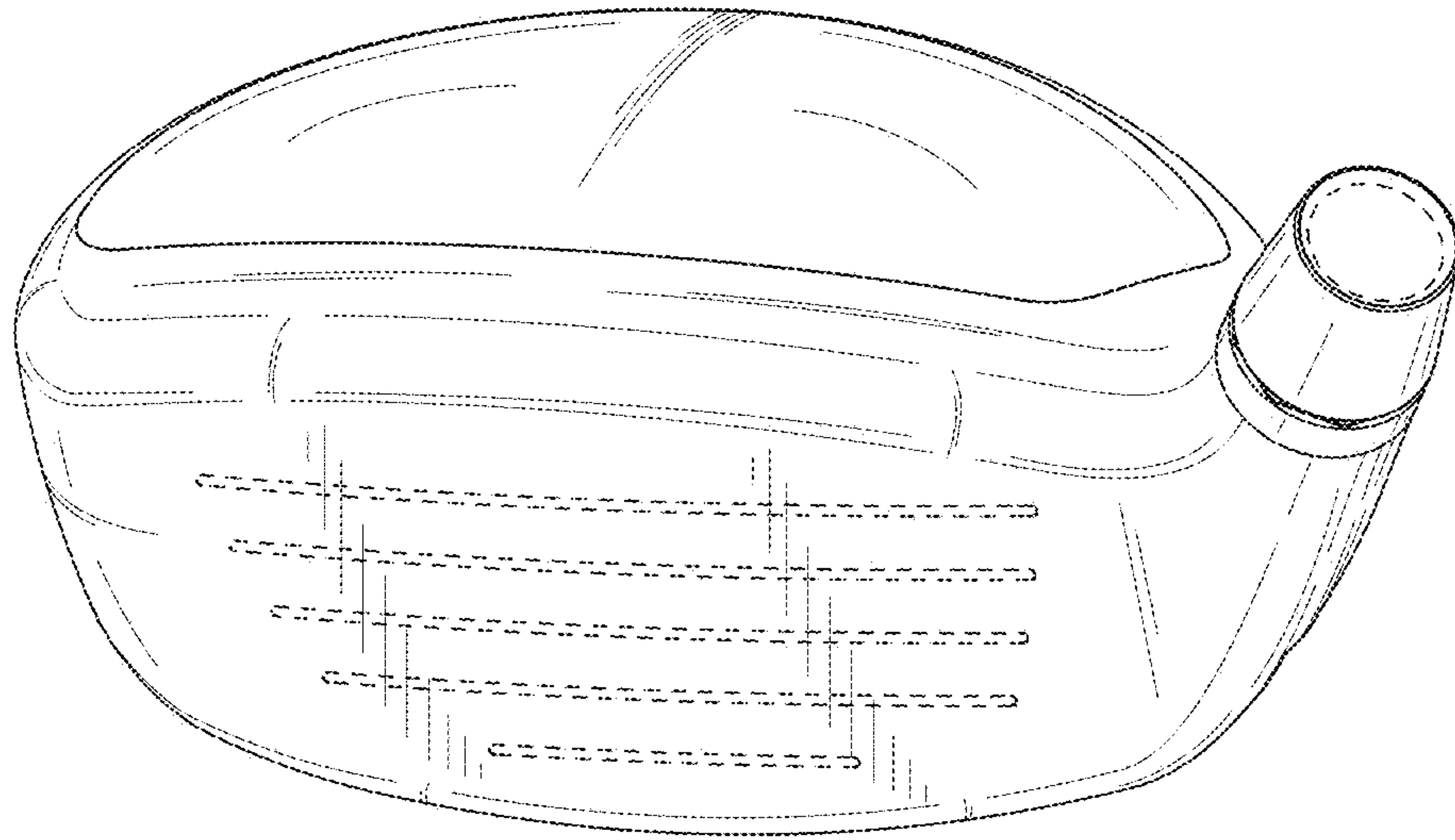


FIG. 1

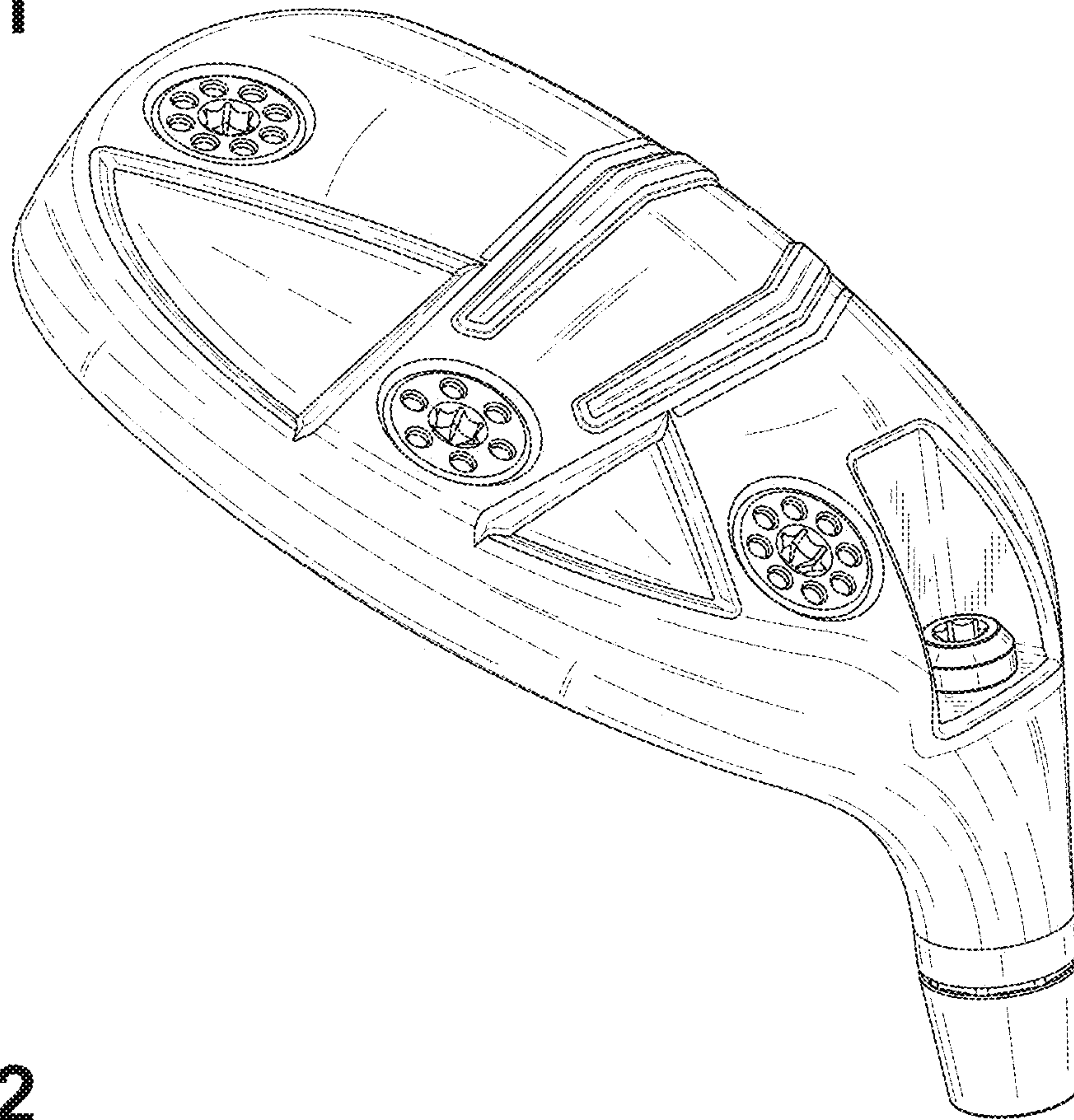


FIG. 2

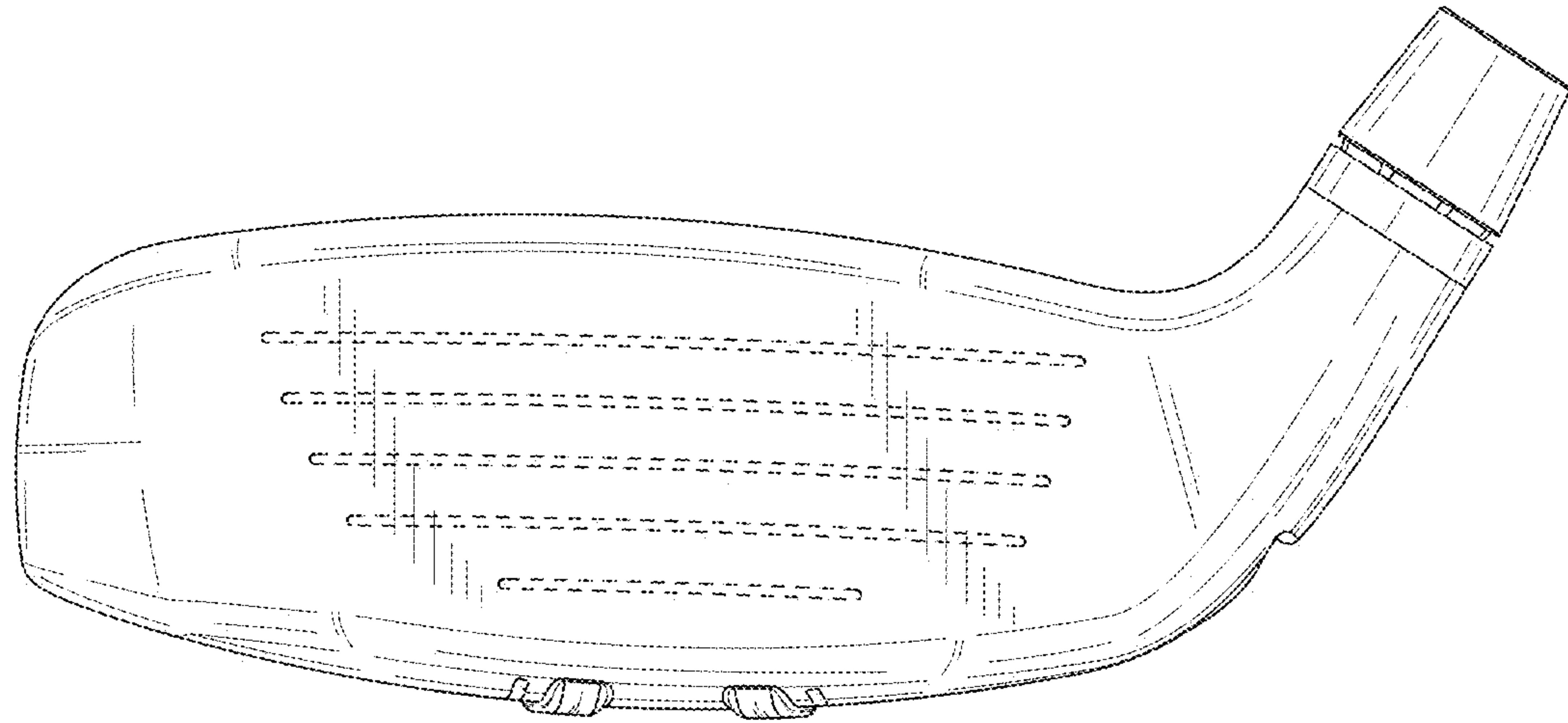


FIG. 3

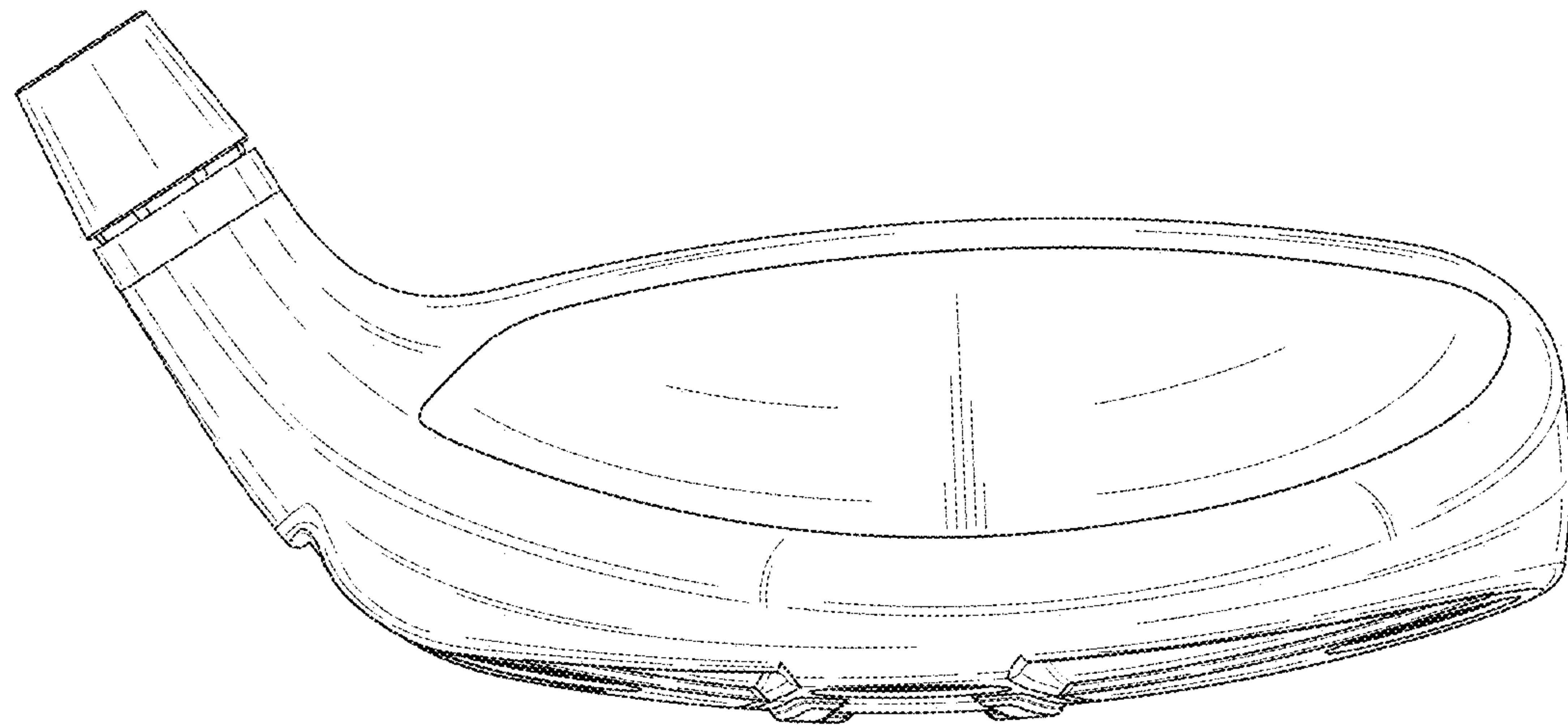


FIG. 4

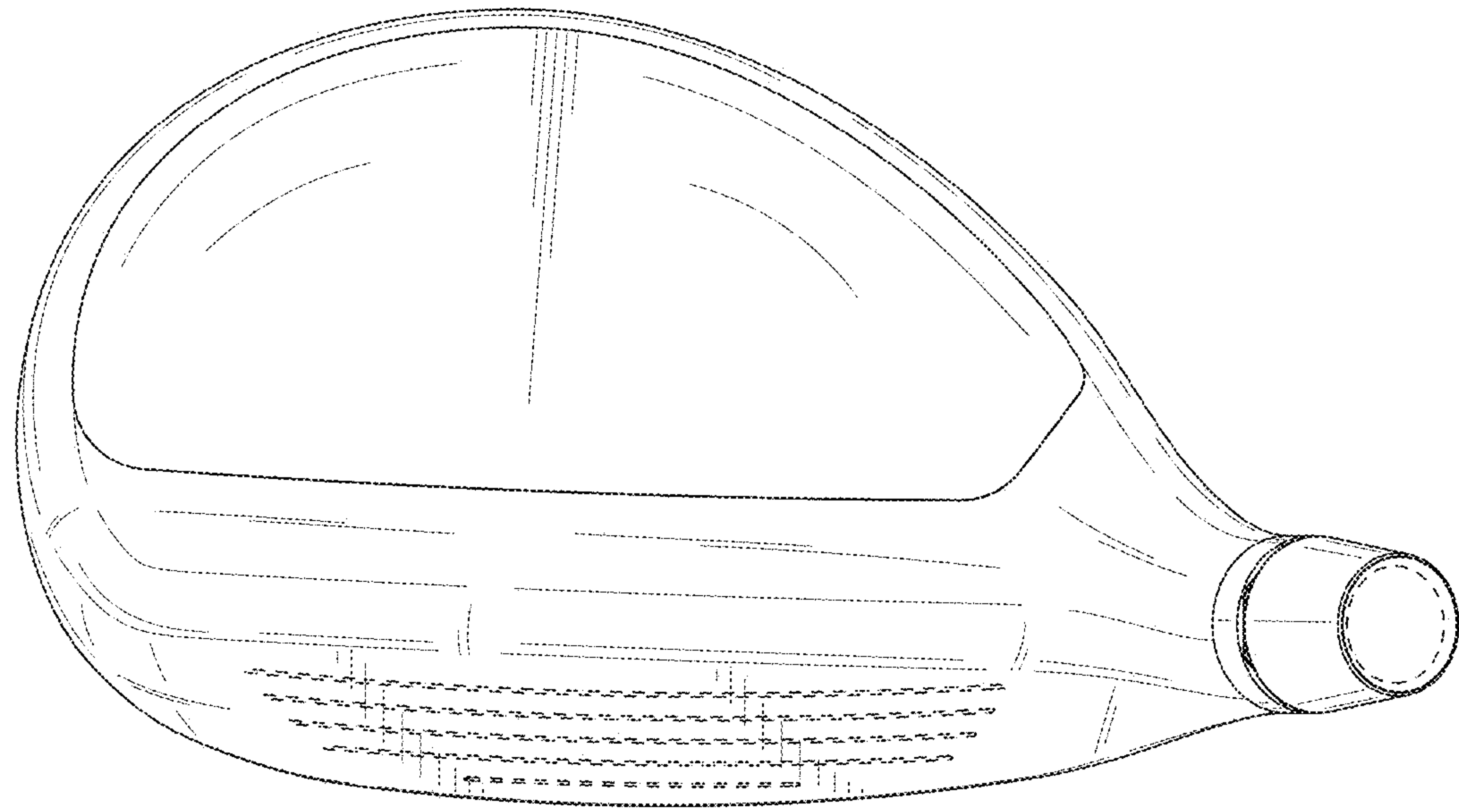


FIG. 5

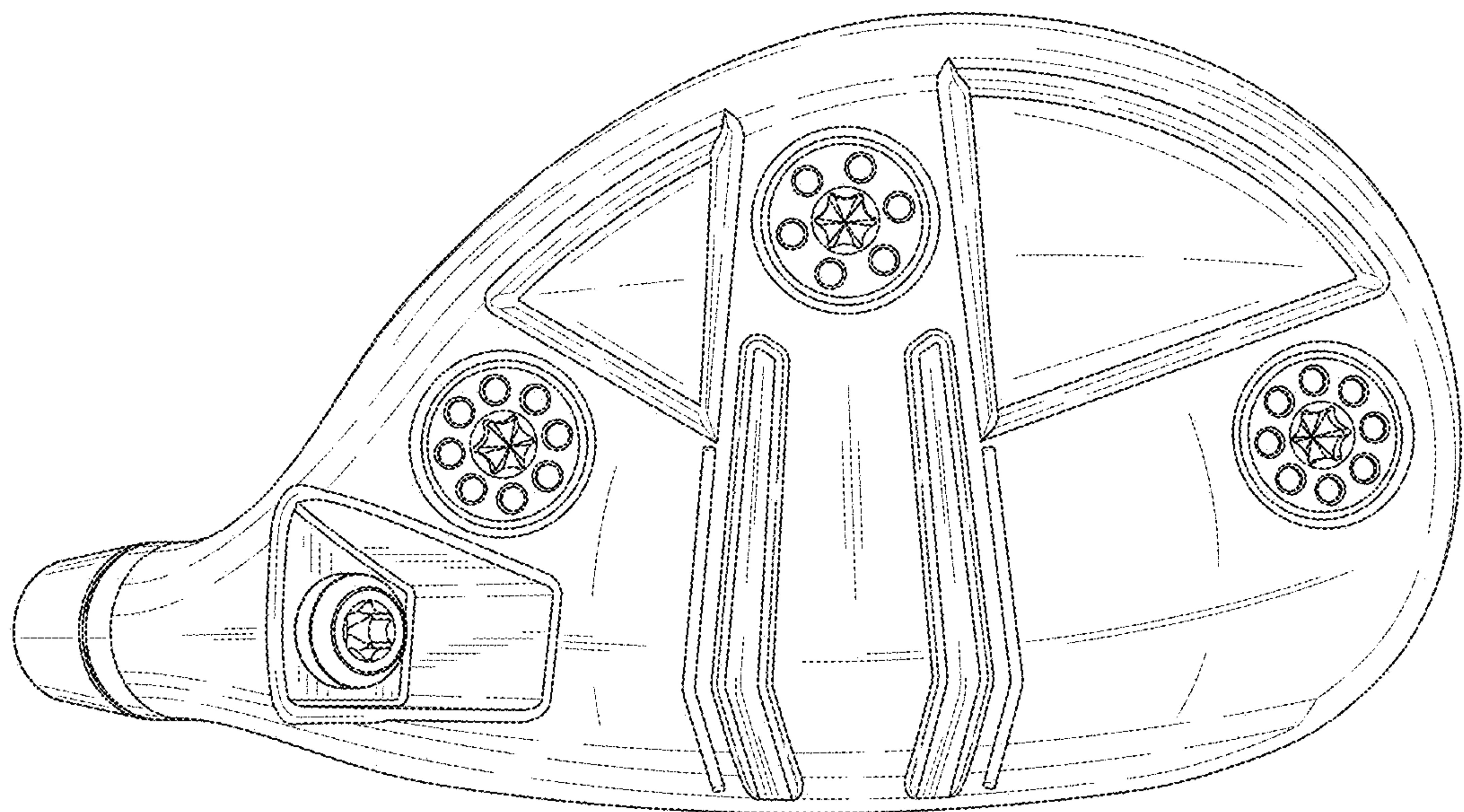


FIG. 6

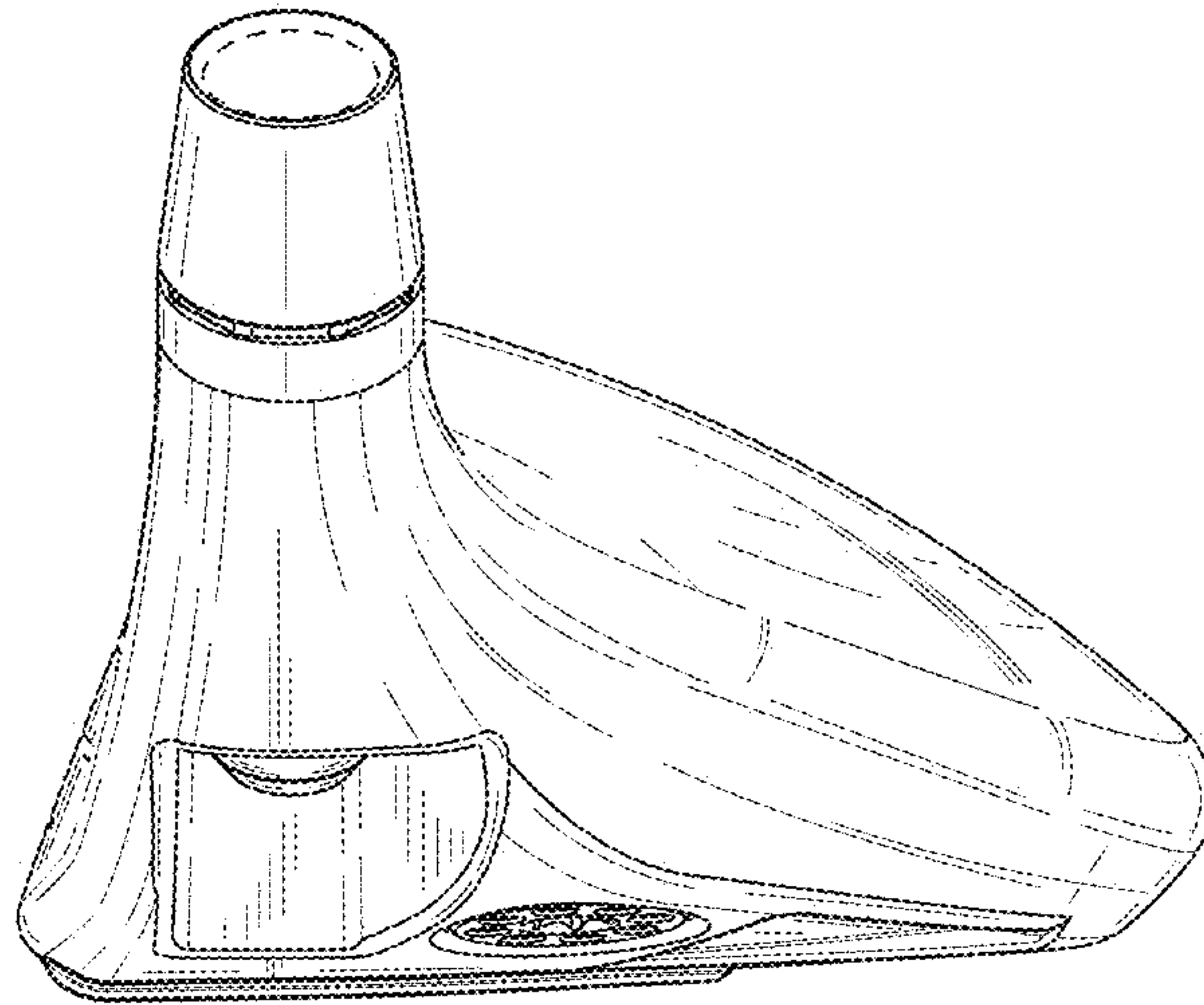


FIG. 7

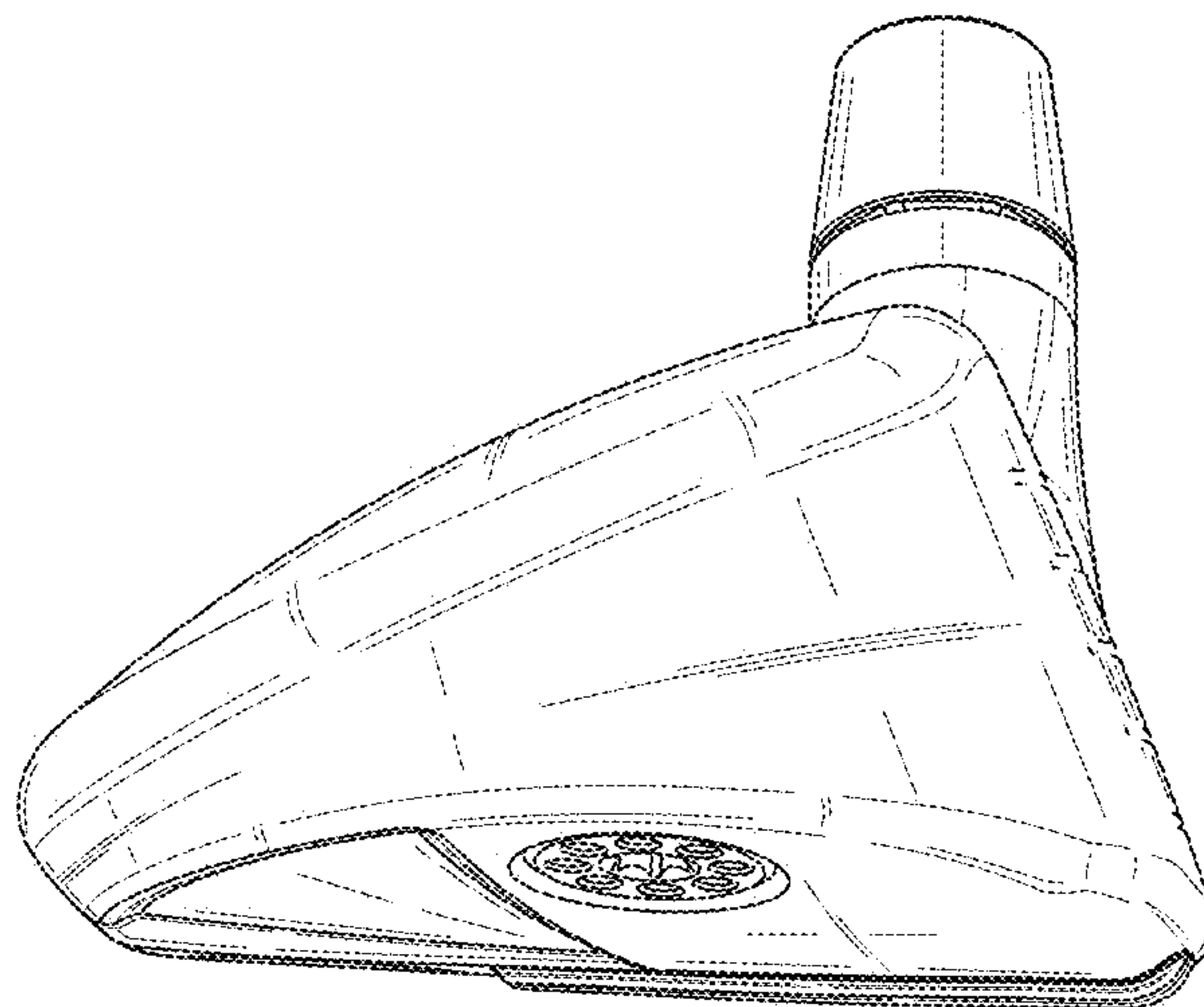


FIG. 8

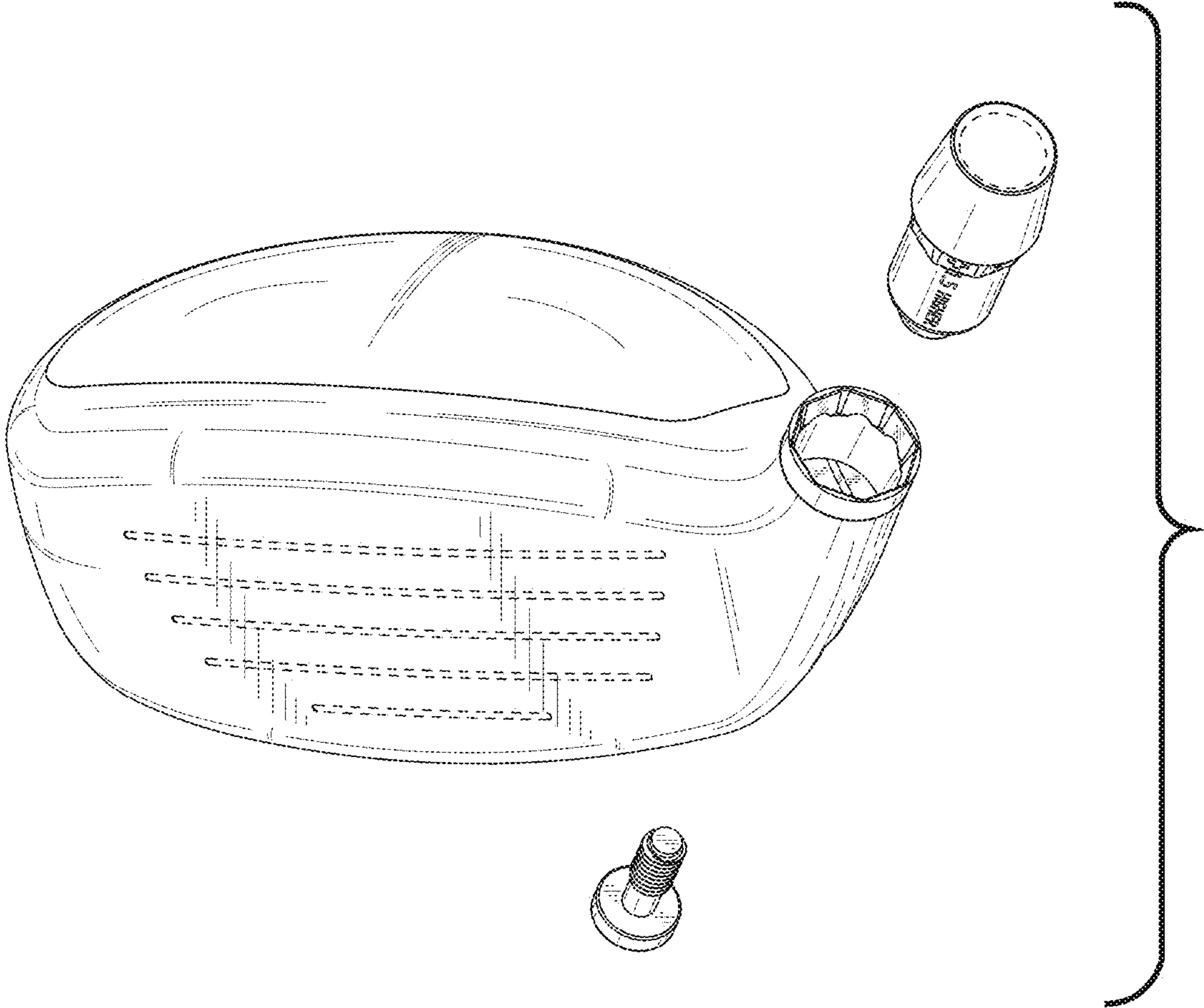


FIG. 9

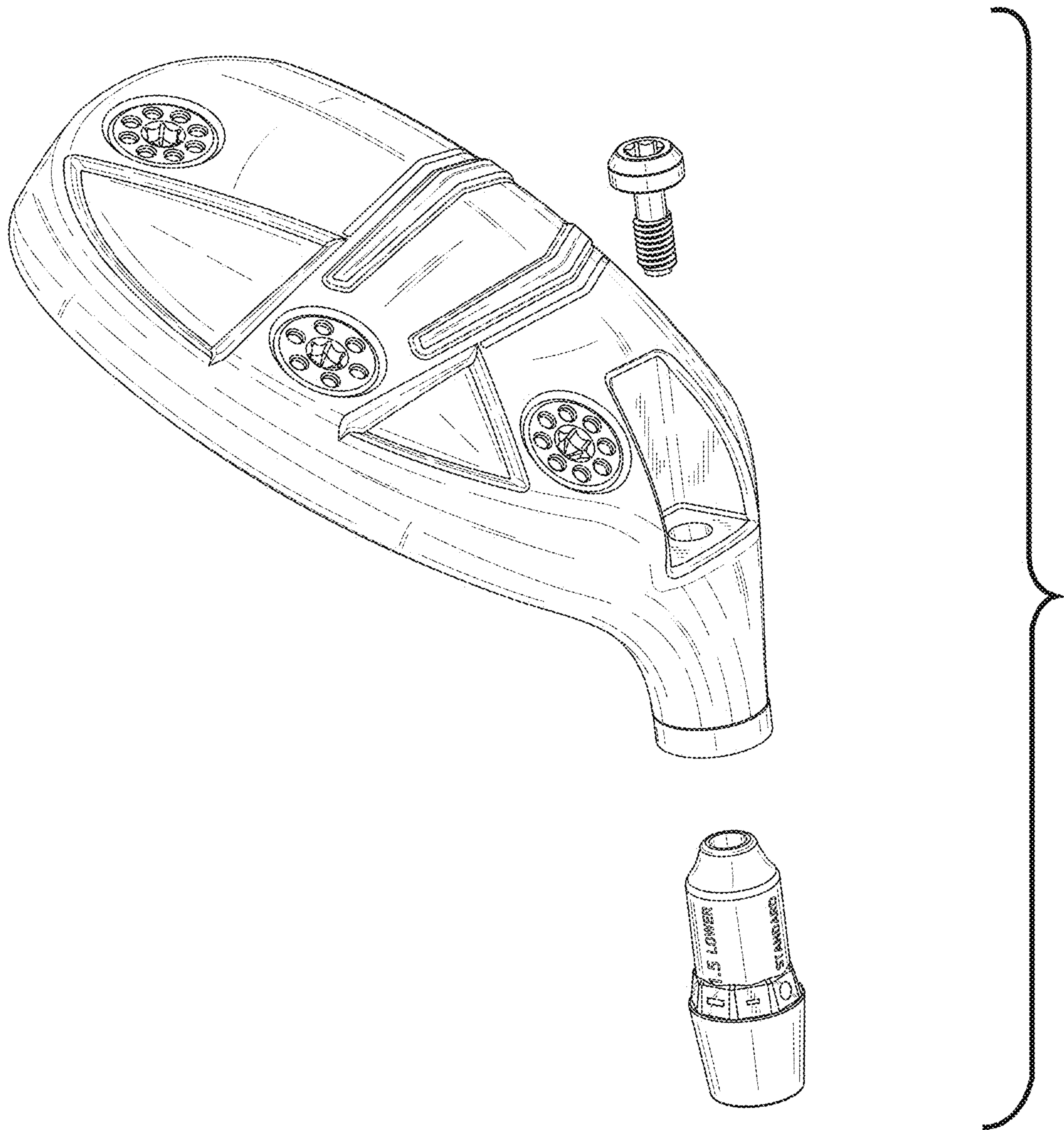


FIG. 10

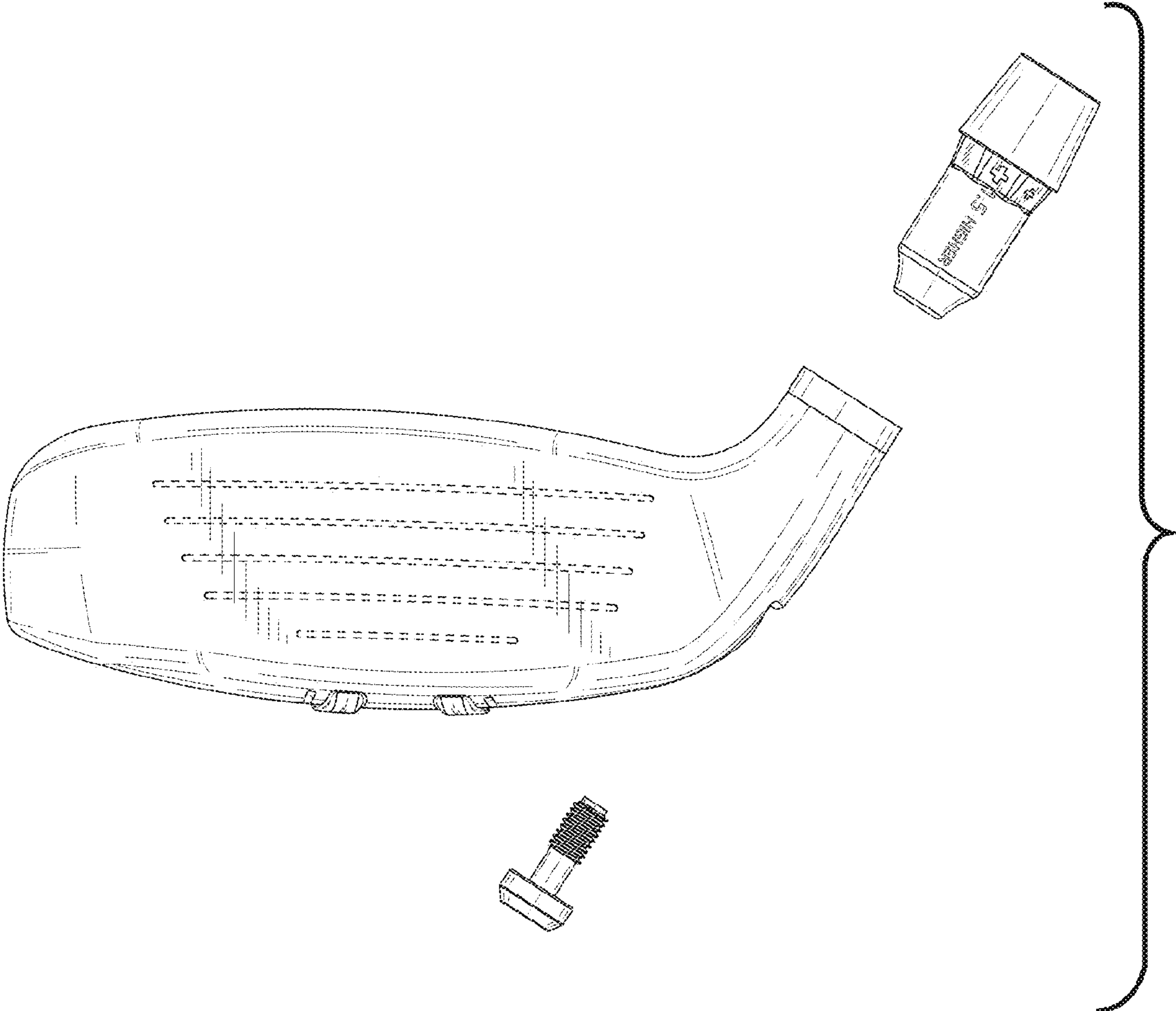


FIG. 11

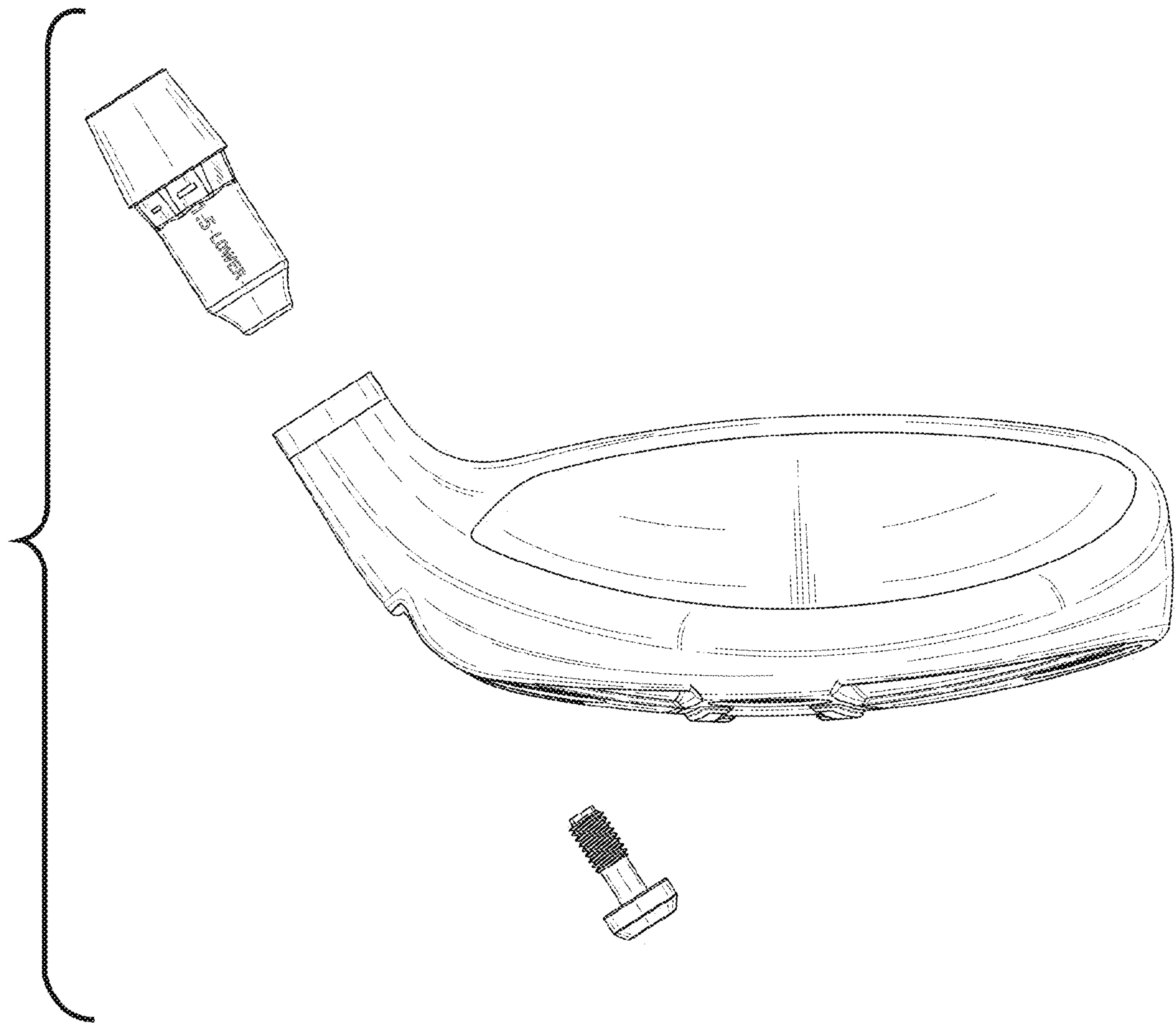


FIG. 12

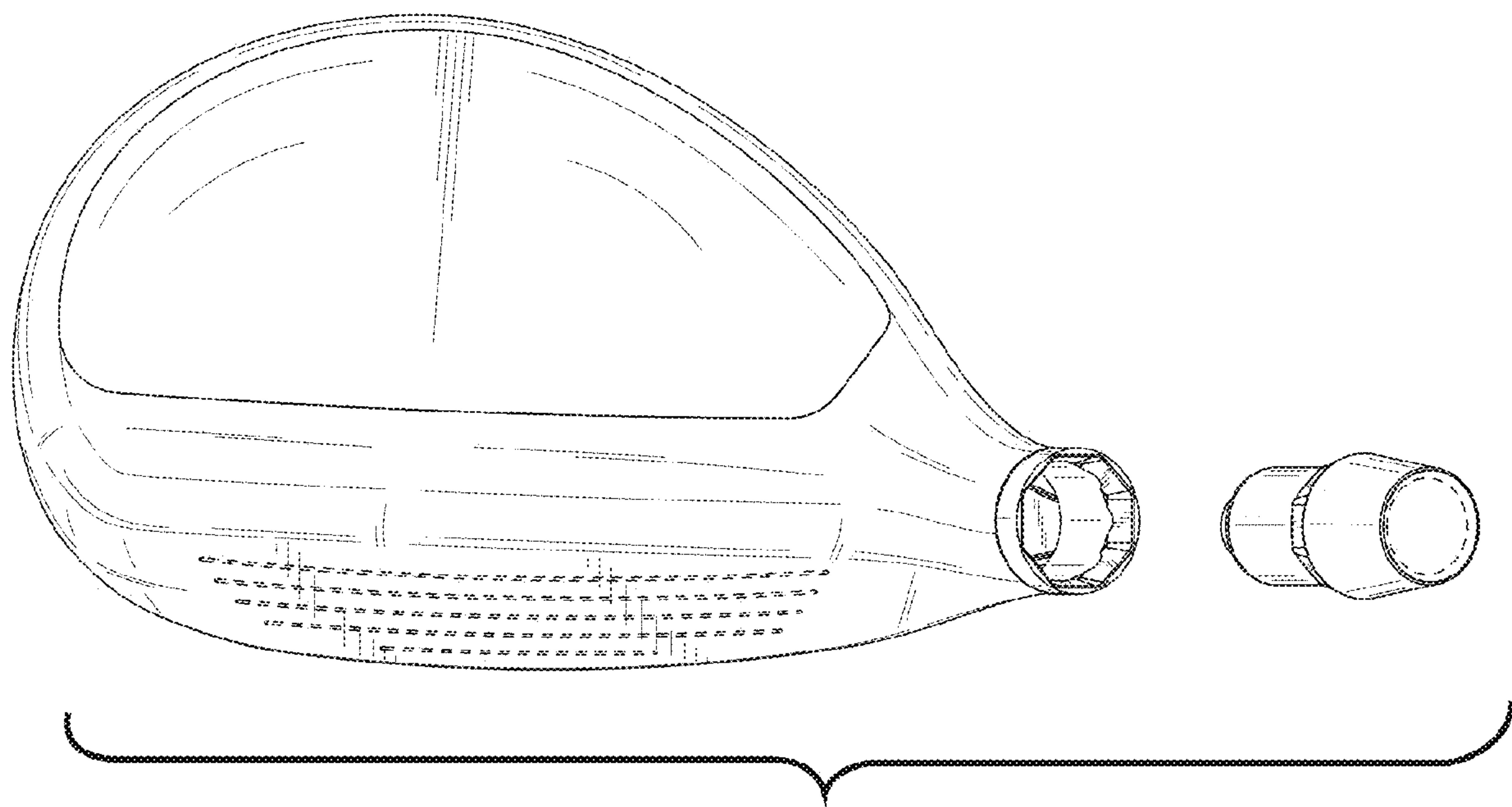


FIG. 13

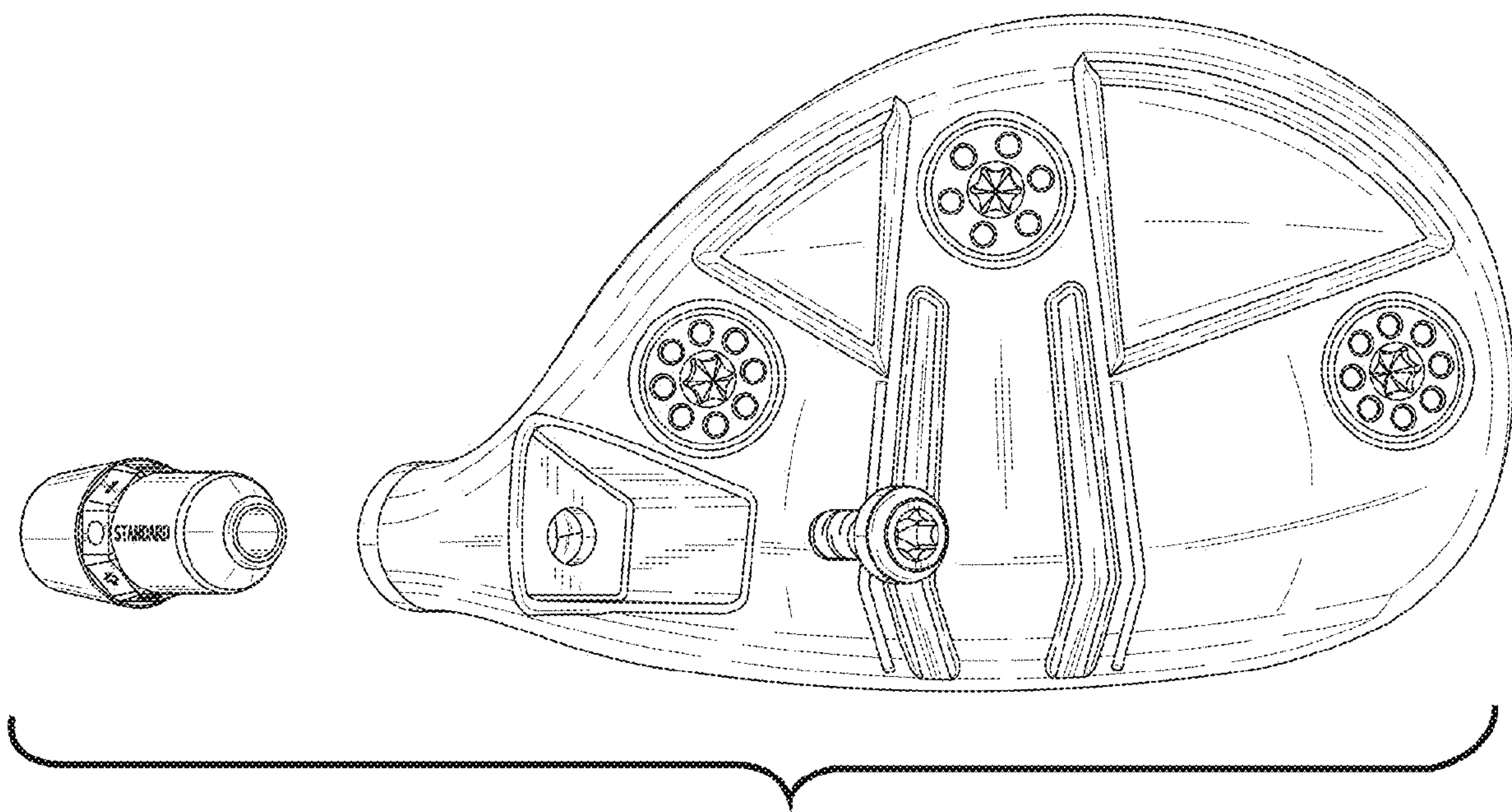


FIG. 14

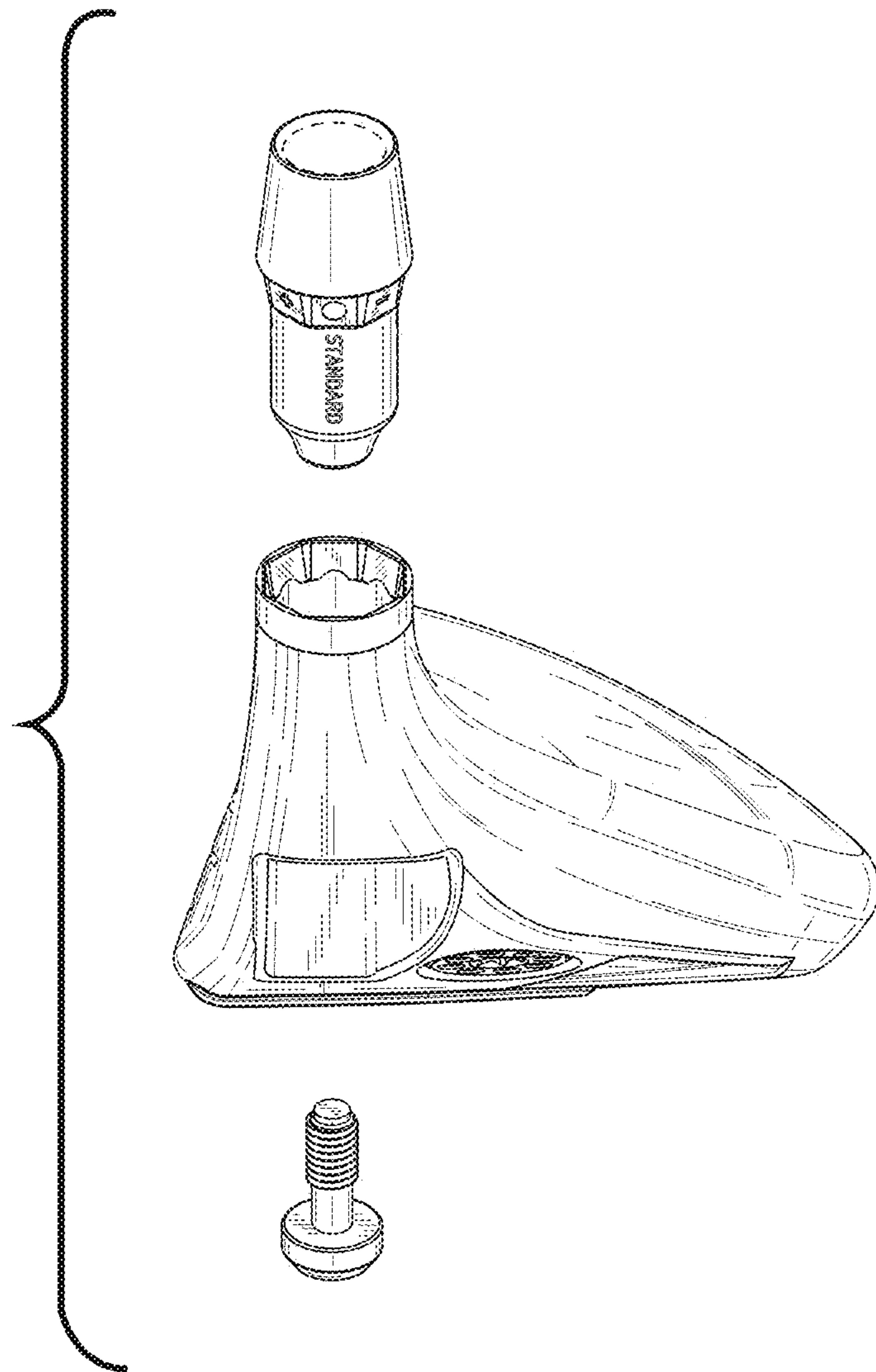


FIG. 15

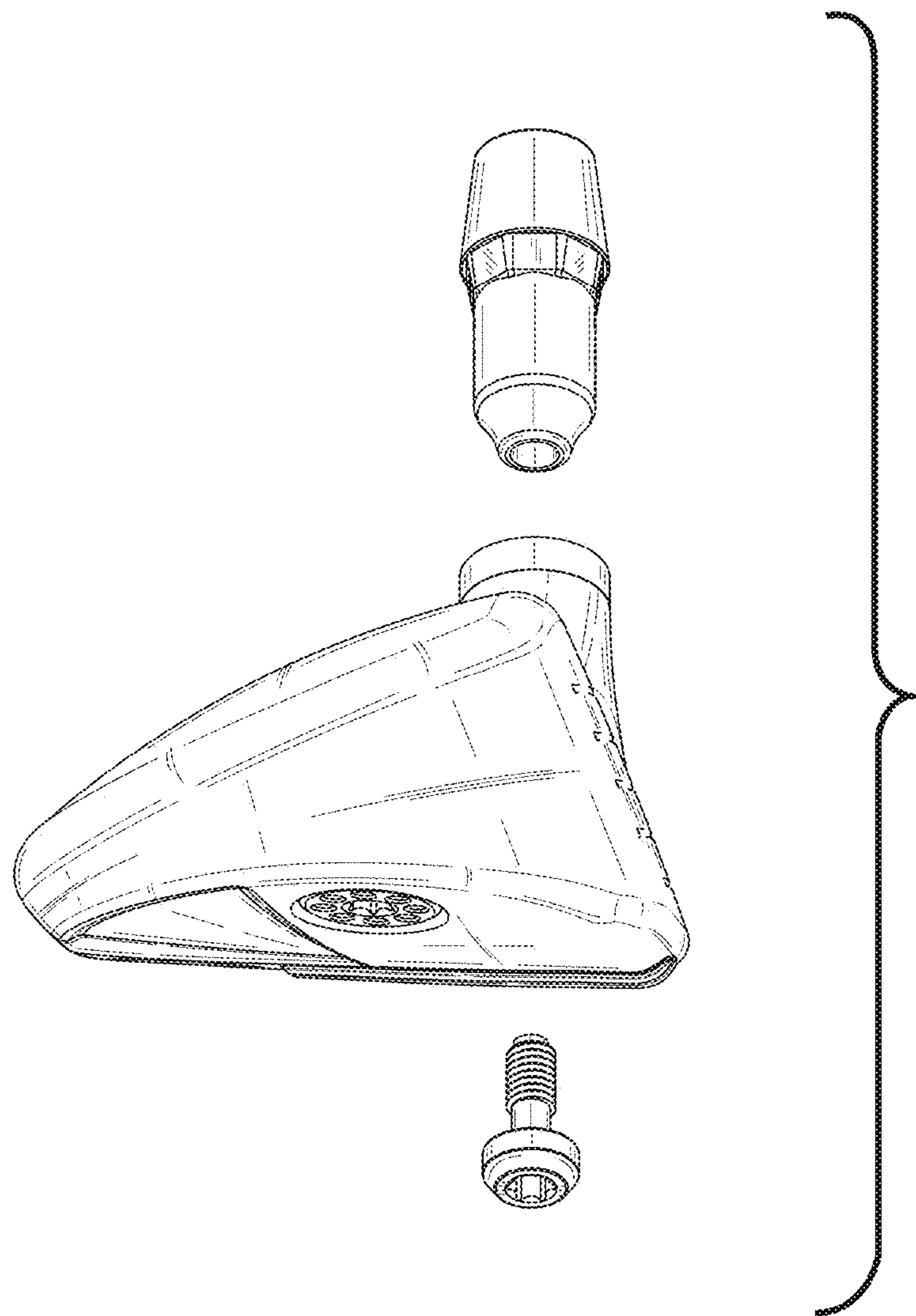


FIG. 16

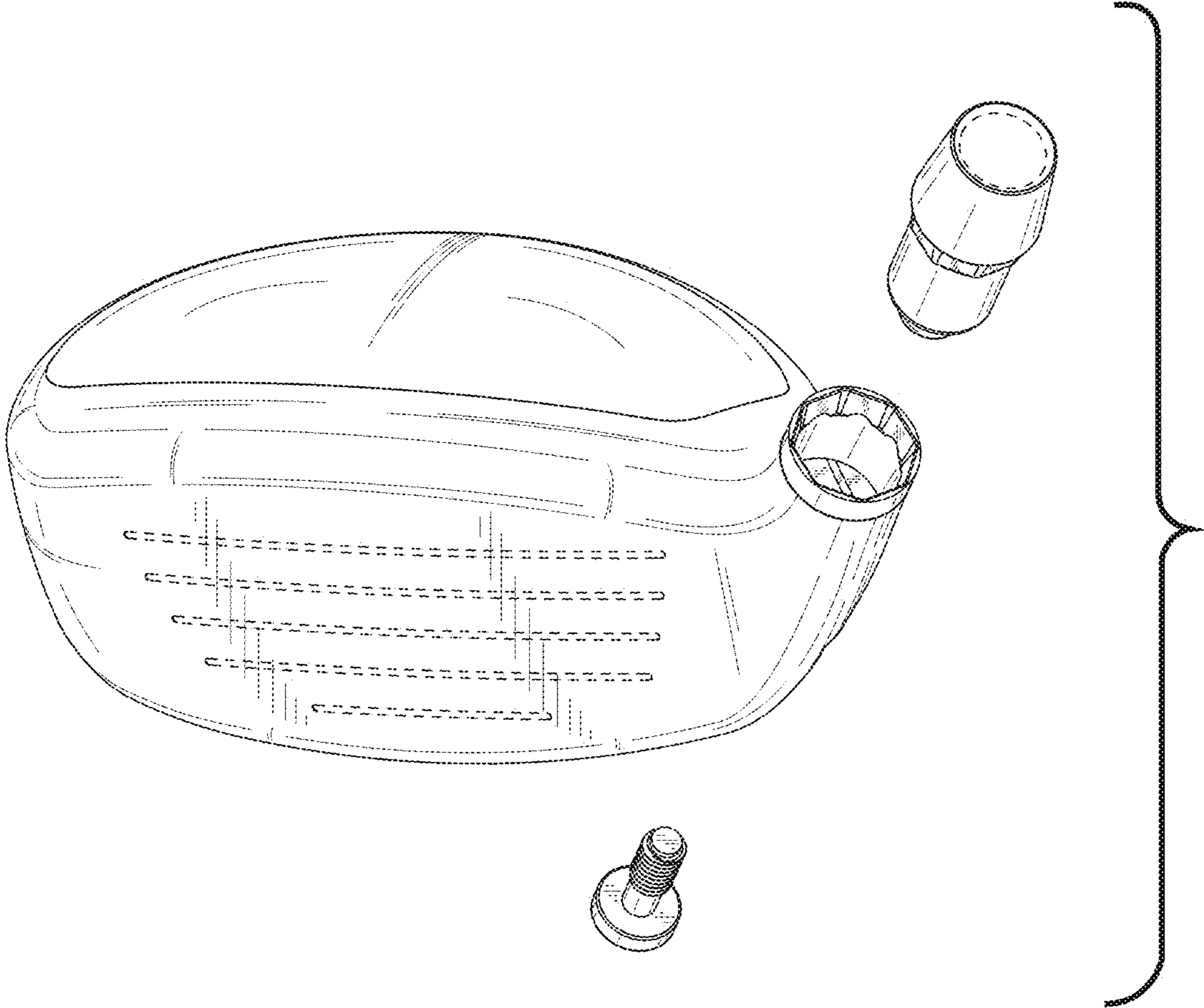


FIG. 17

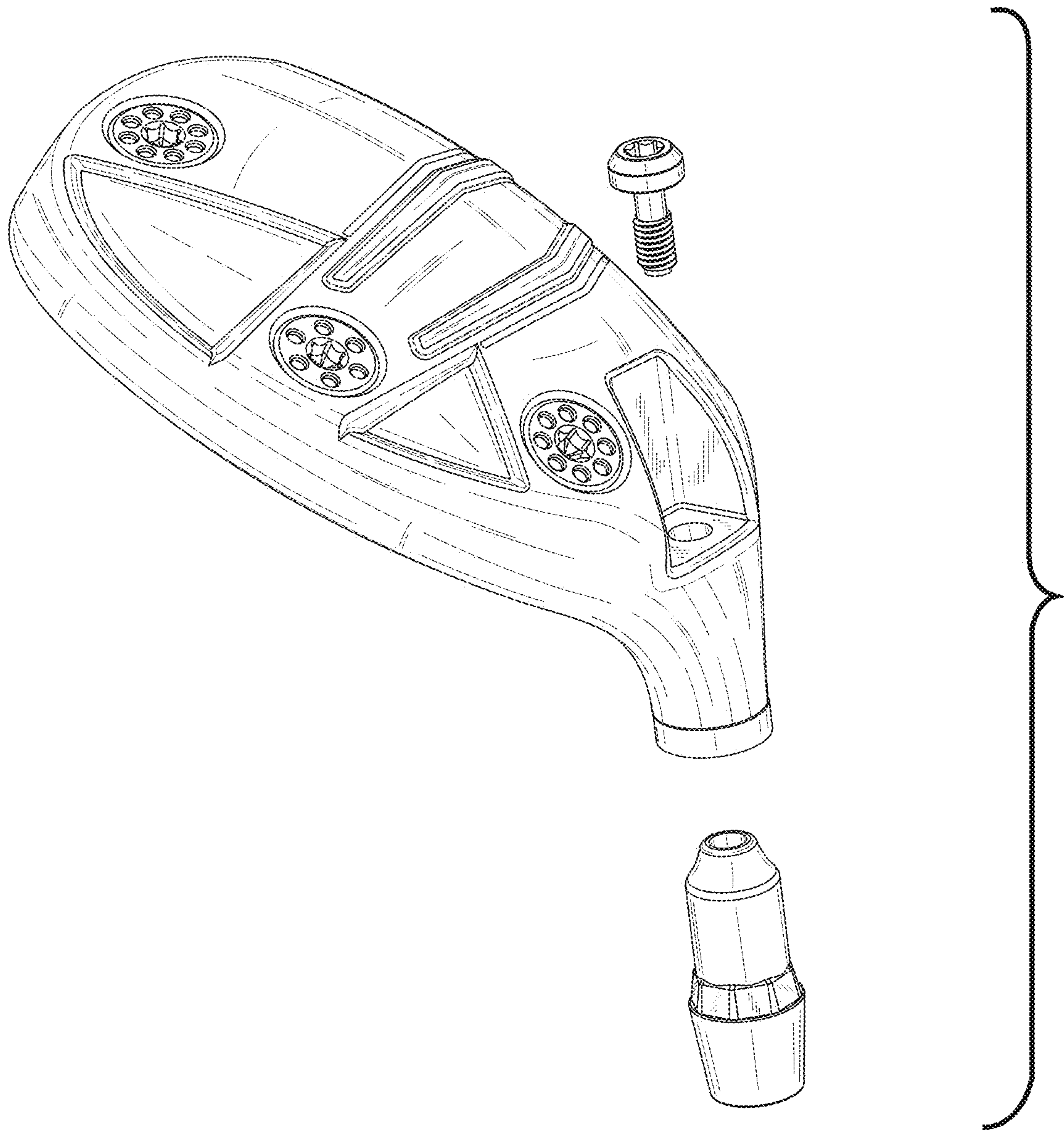


FIG. 18

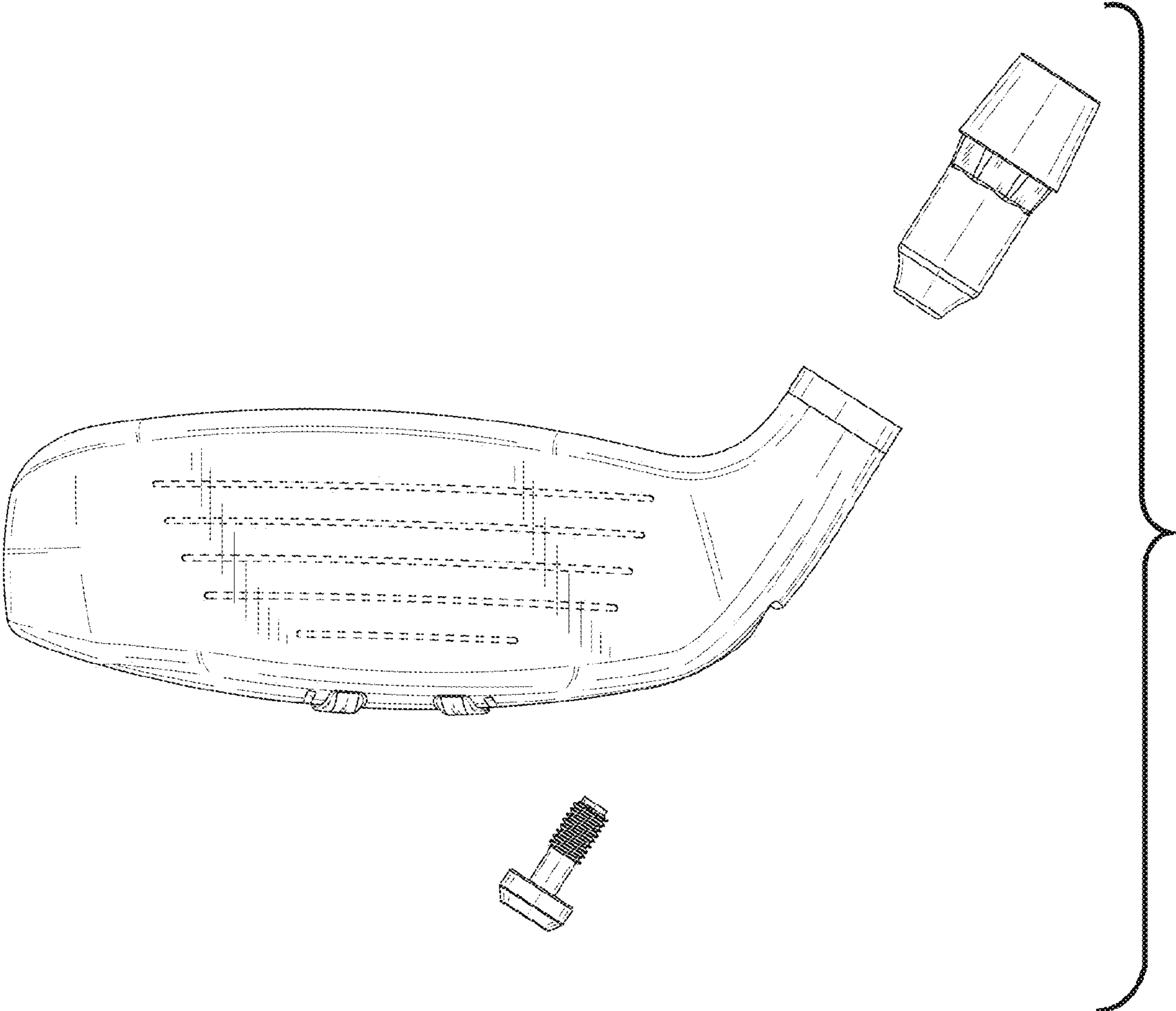


FIG. 19

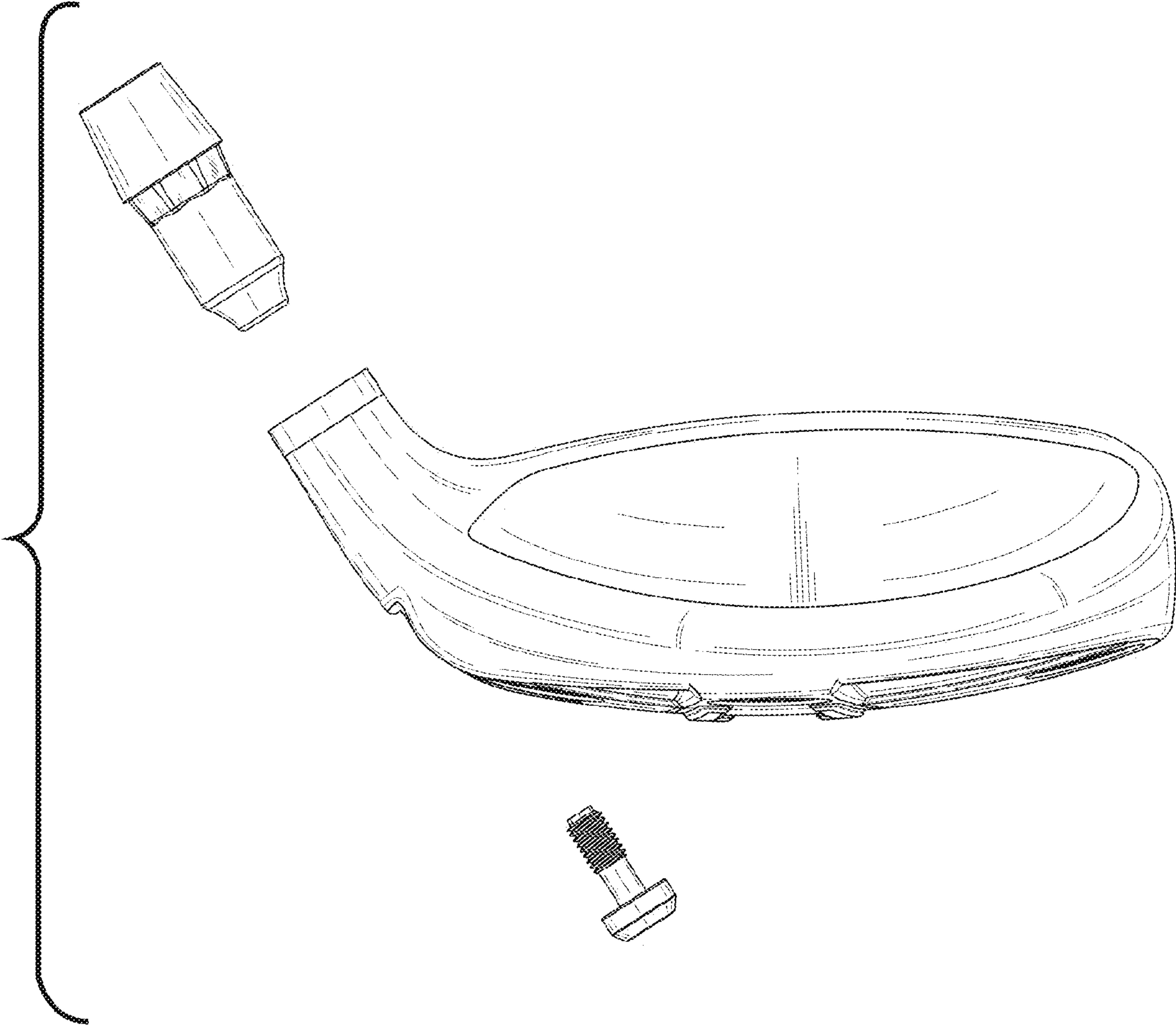


FIG. 20

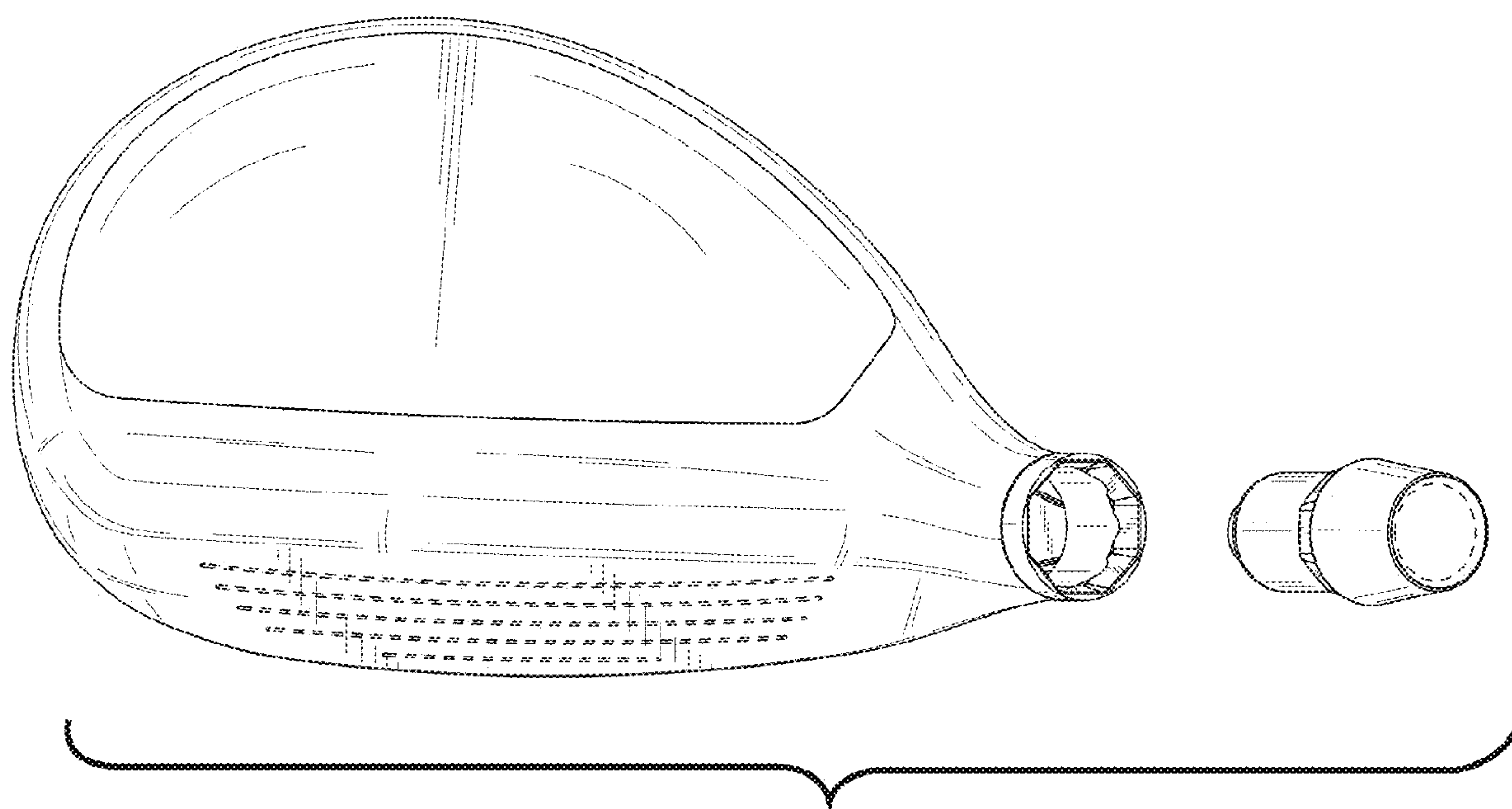


FIG. 21

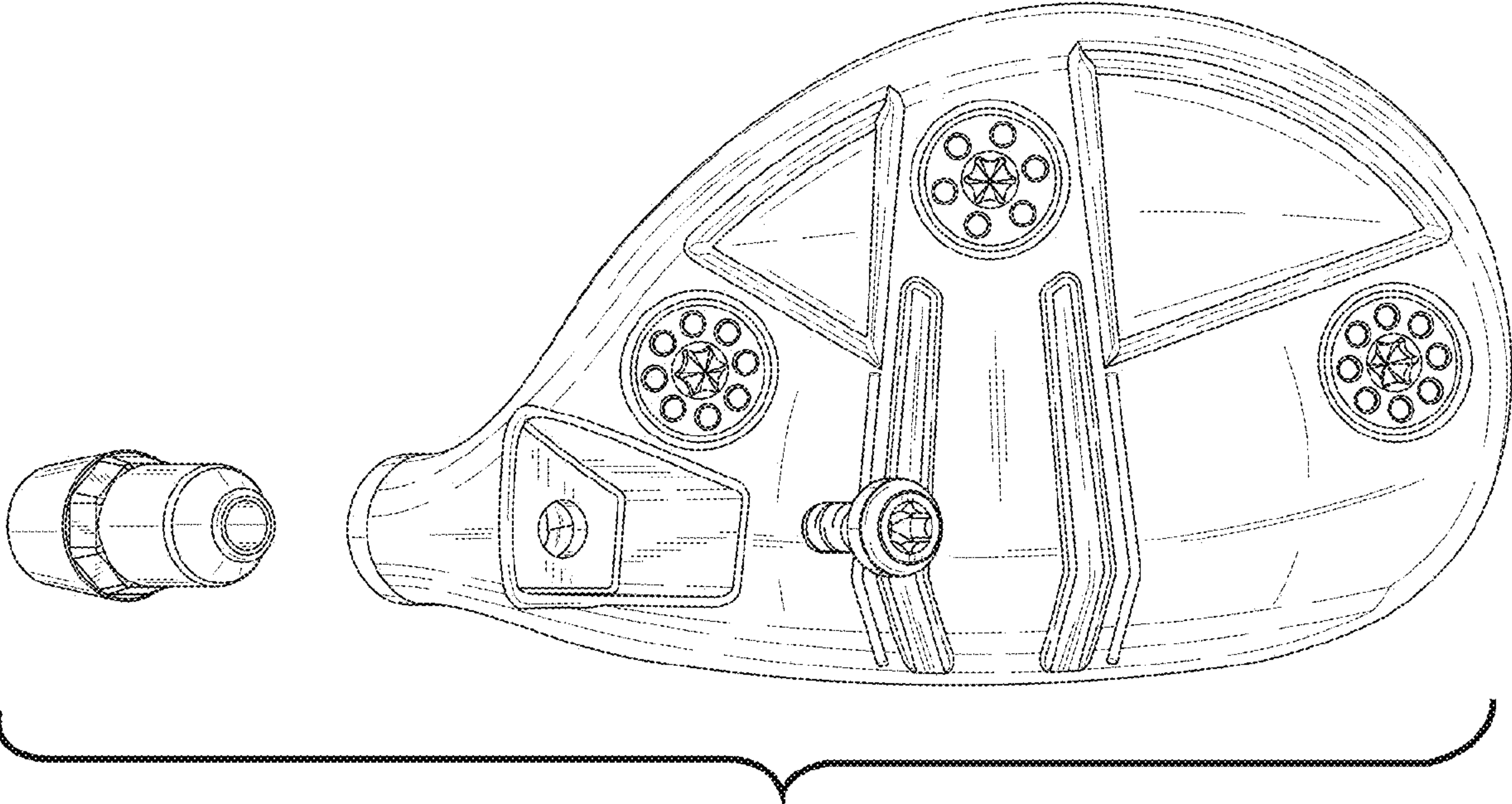


FIG. 22

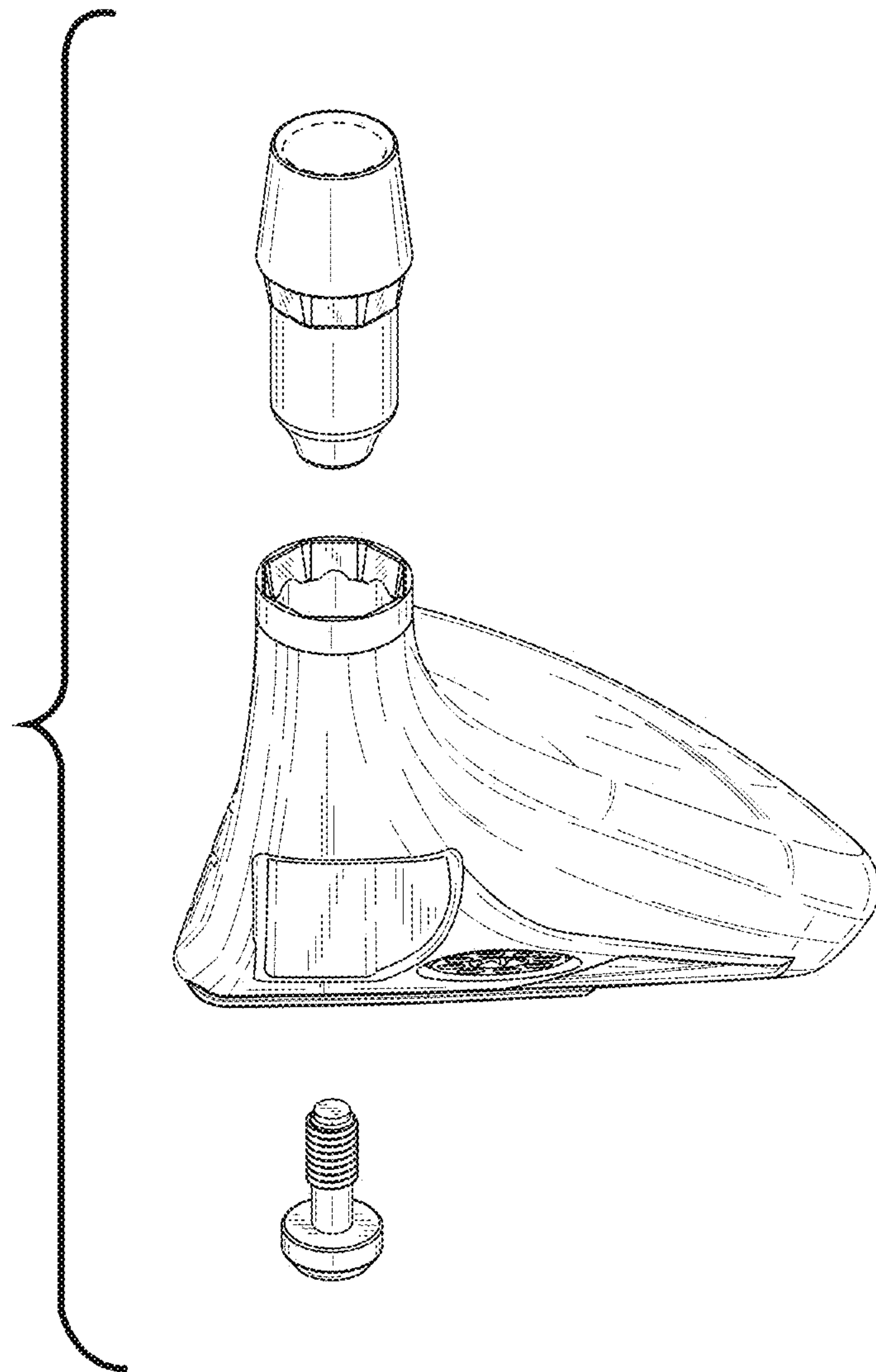


FIG. 23

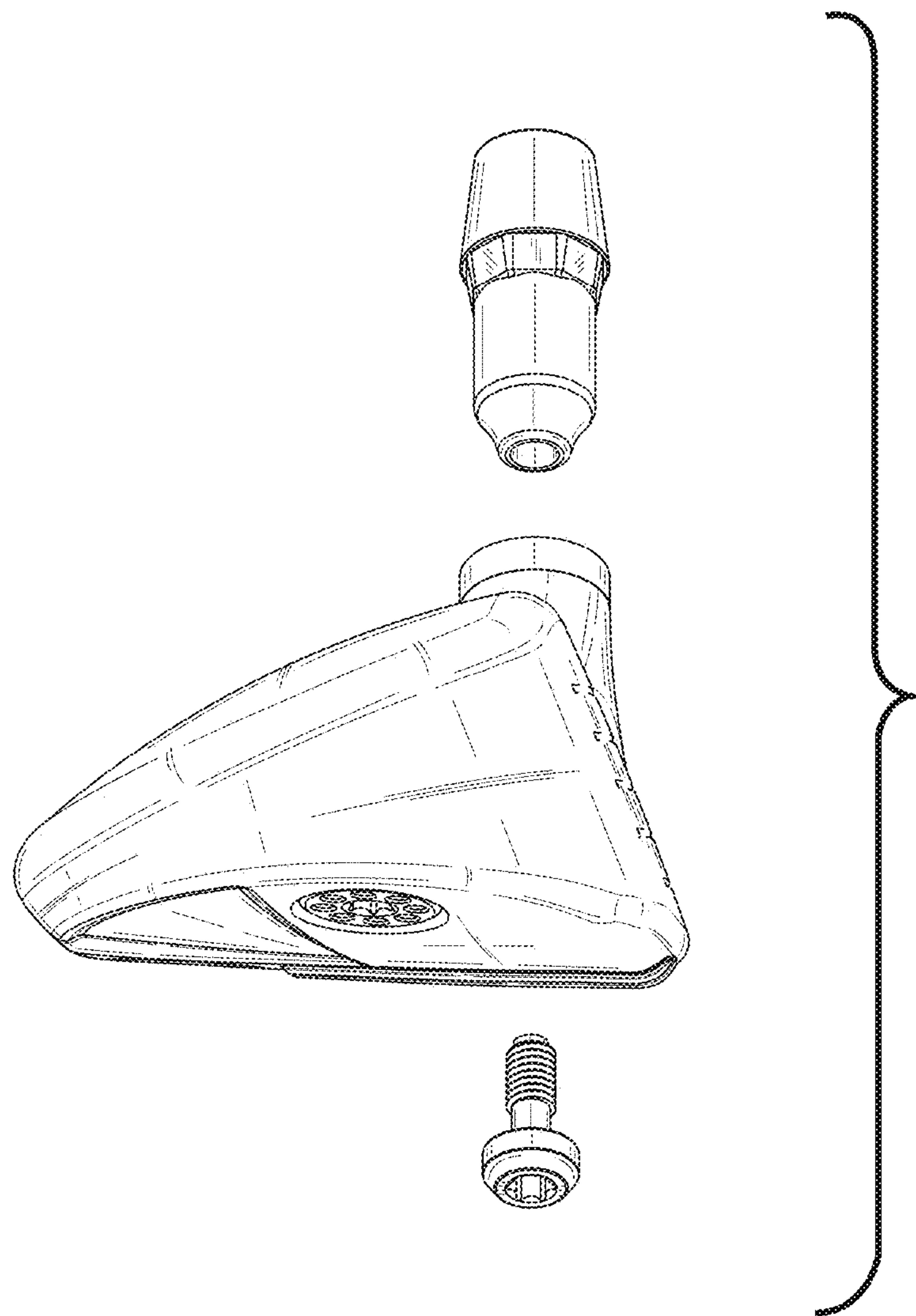


FIG. 24

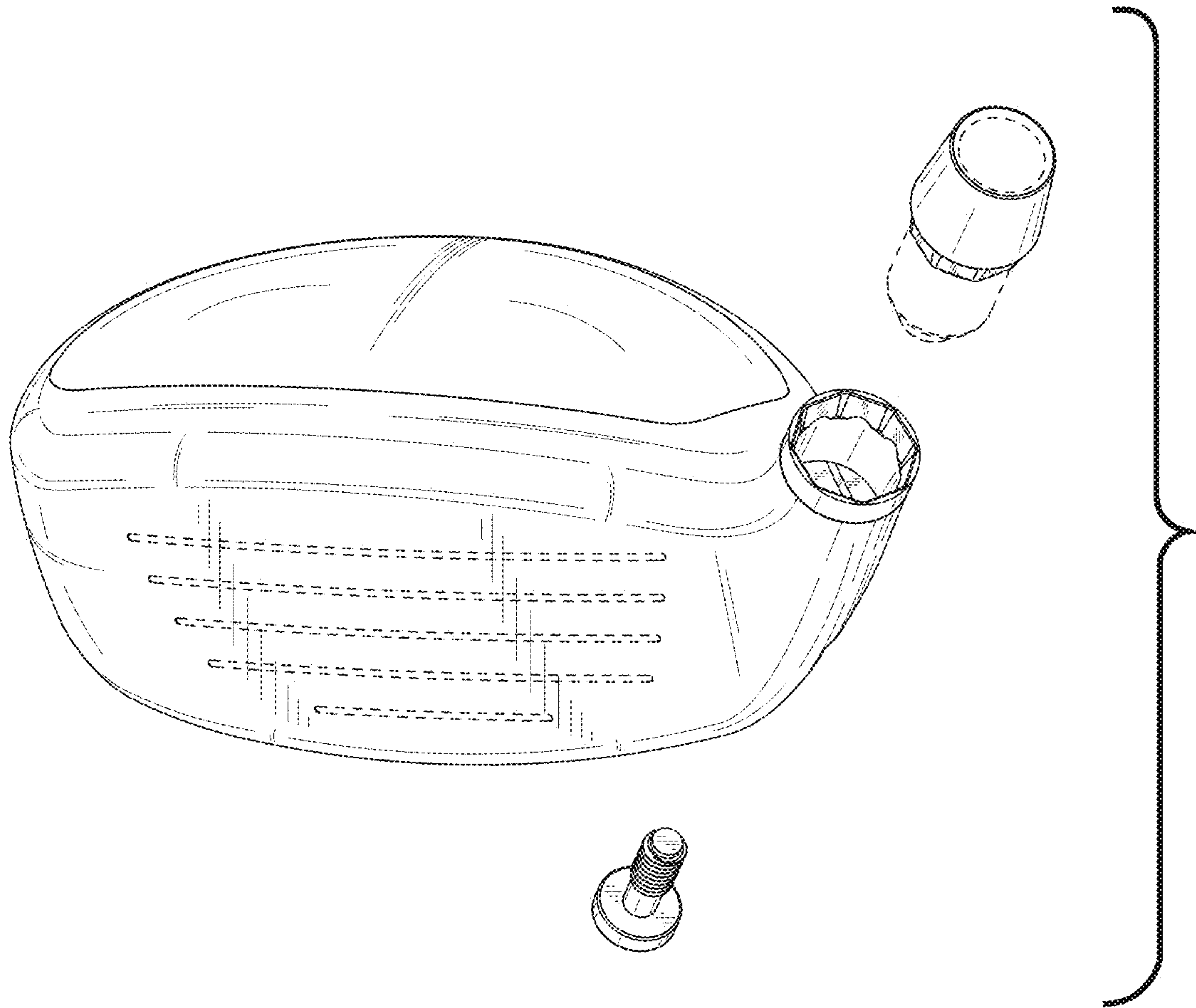


FIG. 25

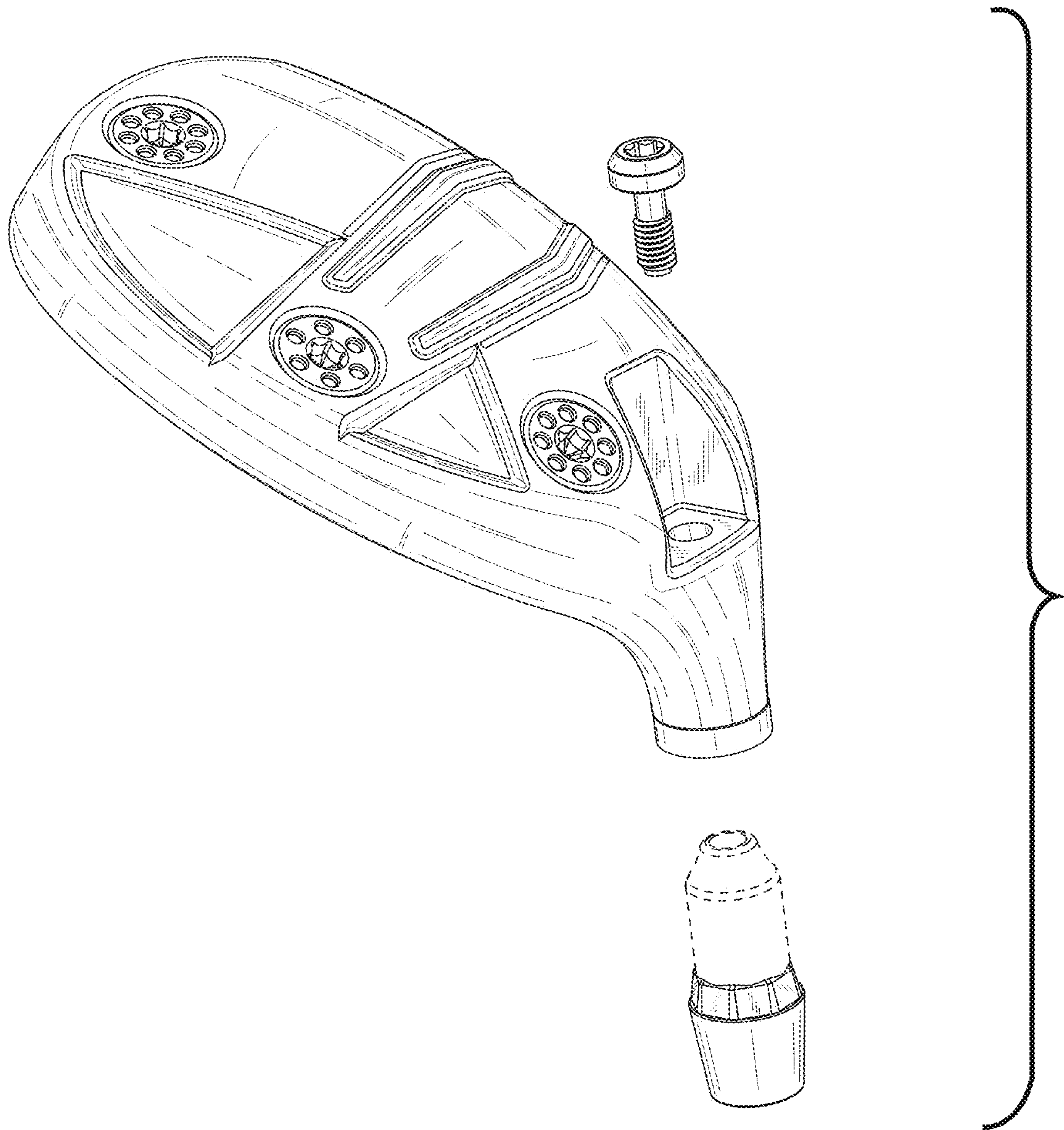


FIG. 26

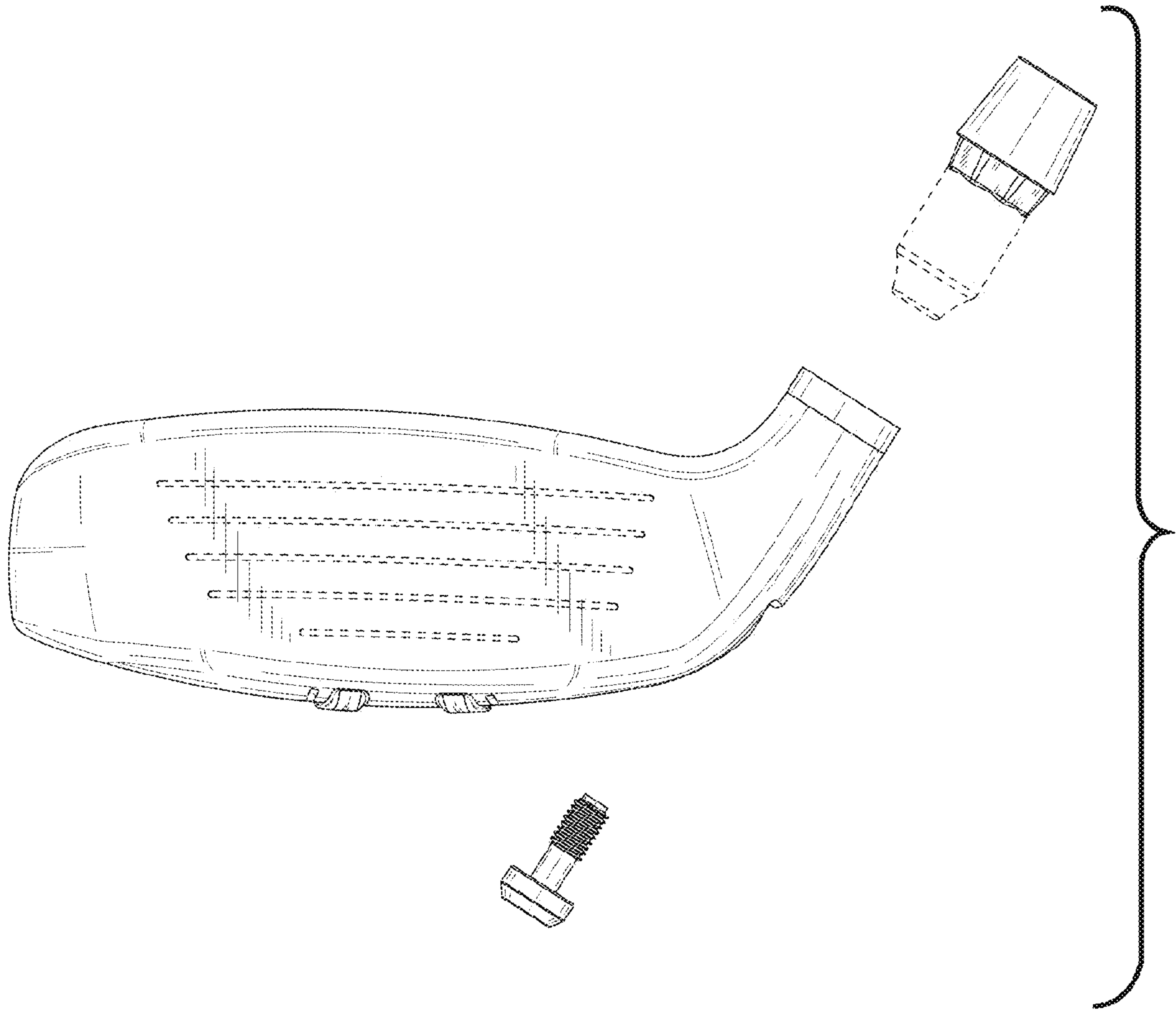


FIG. 27

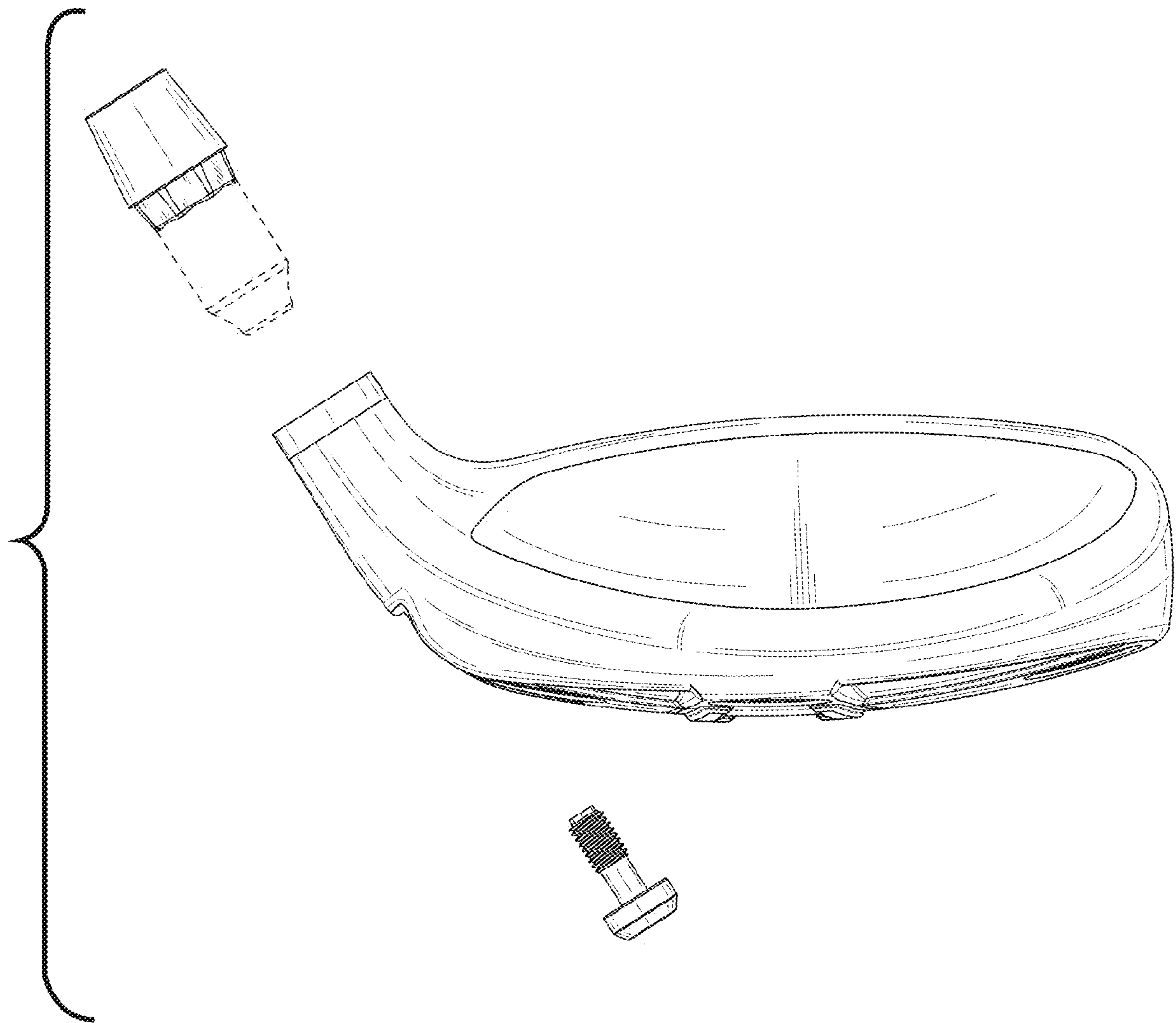


FIG. 28

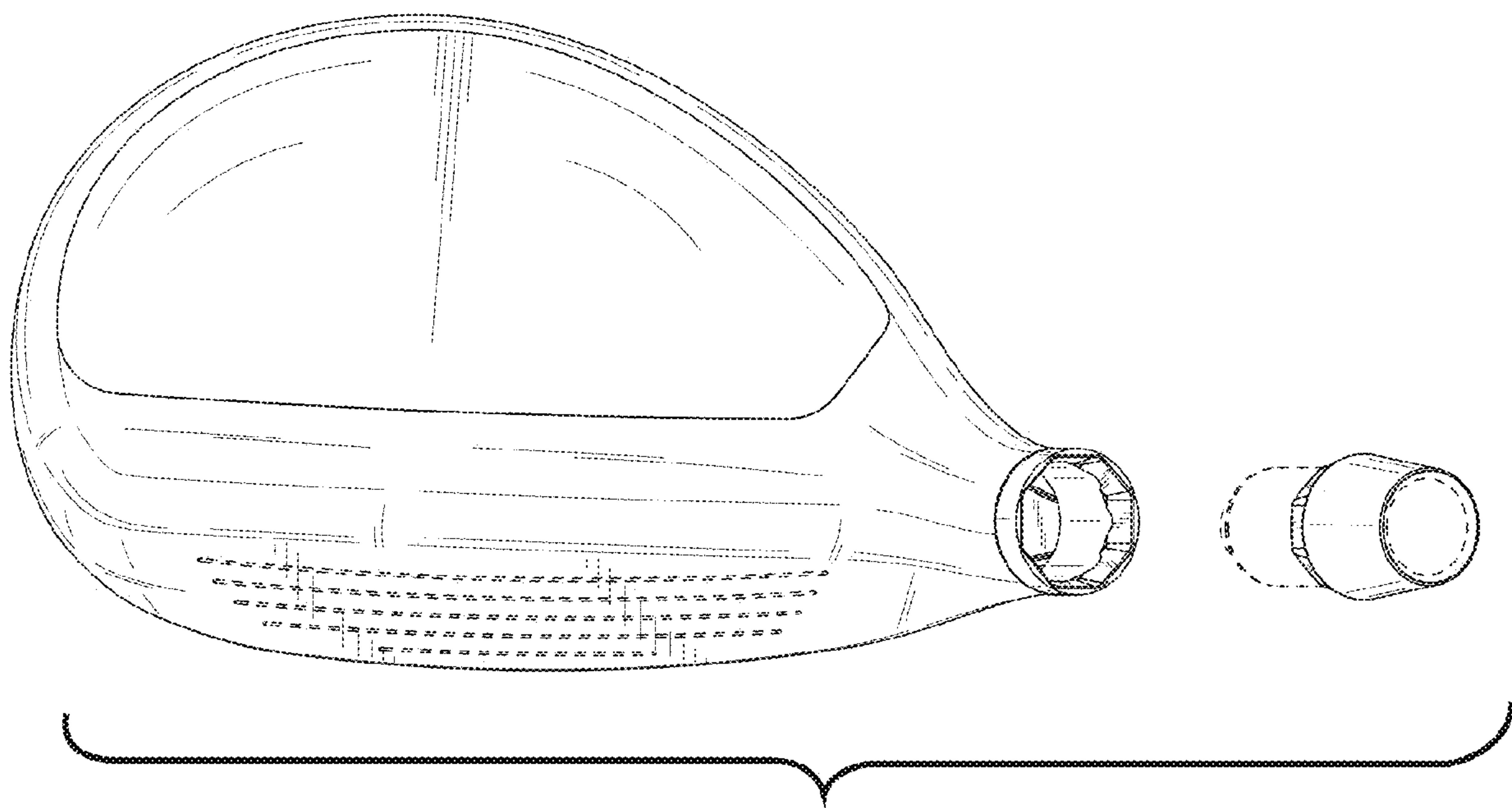


FIG. 29

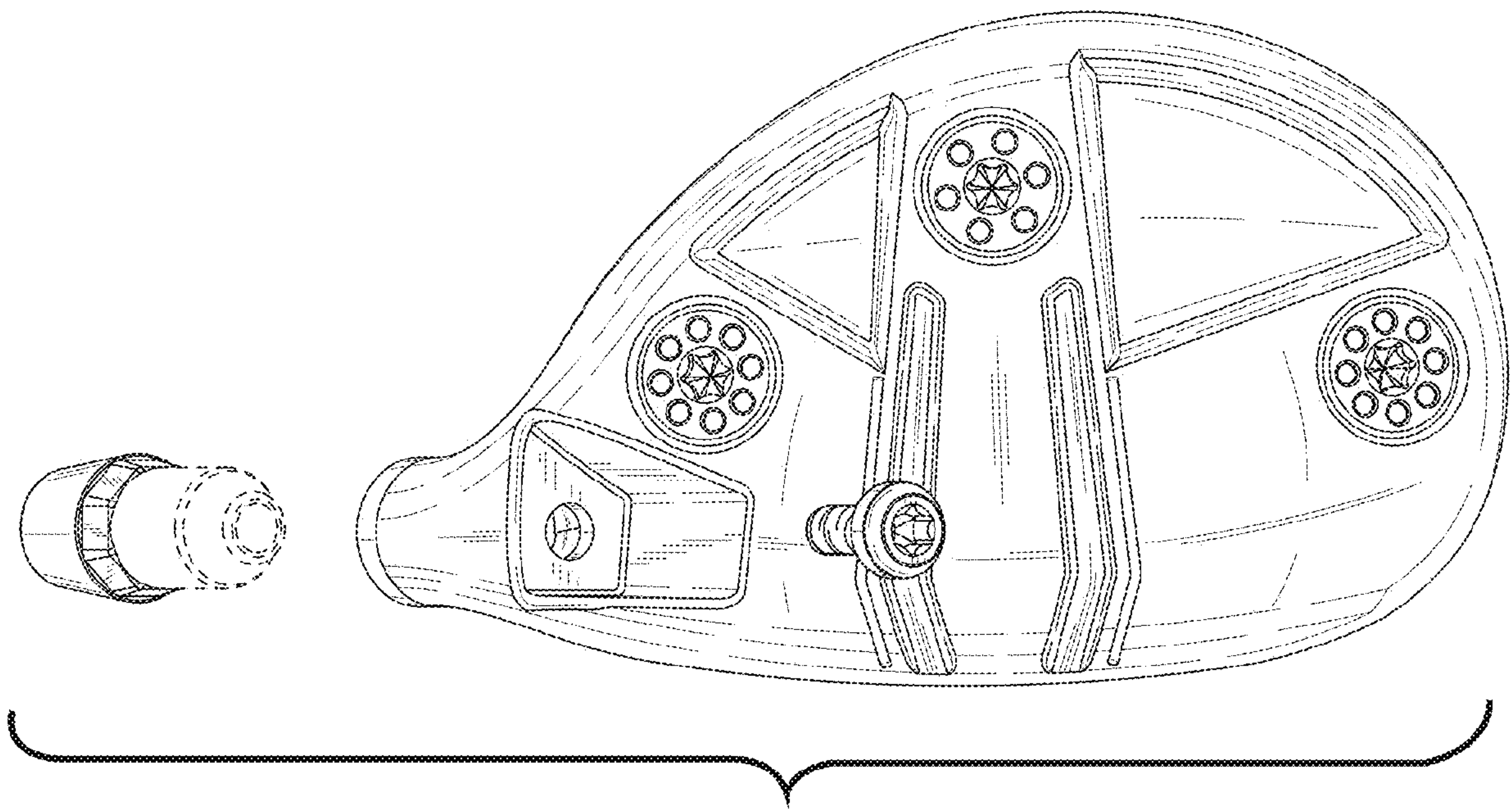


FIG. 30

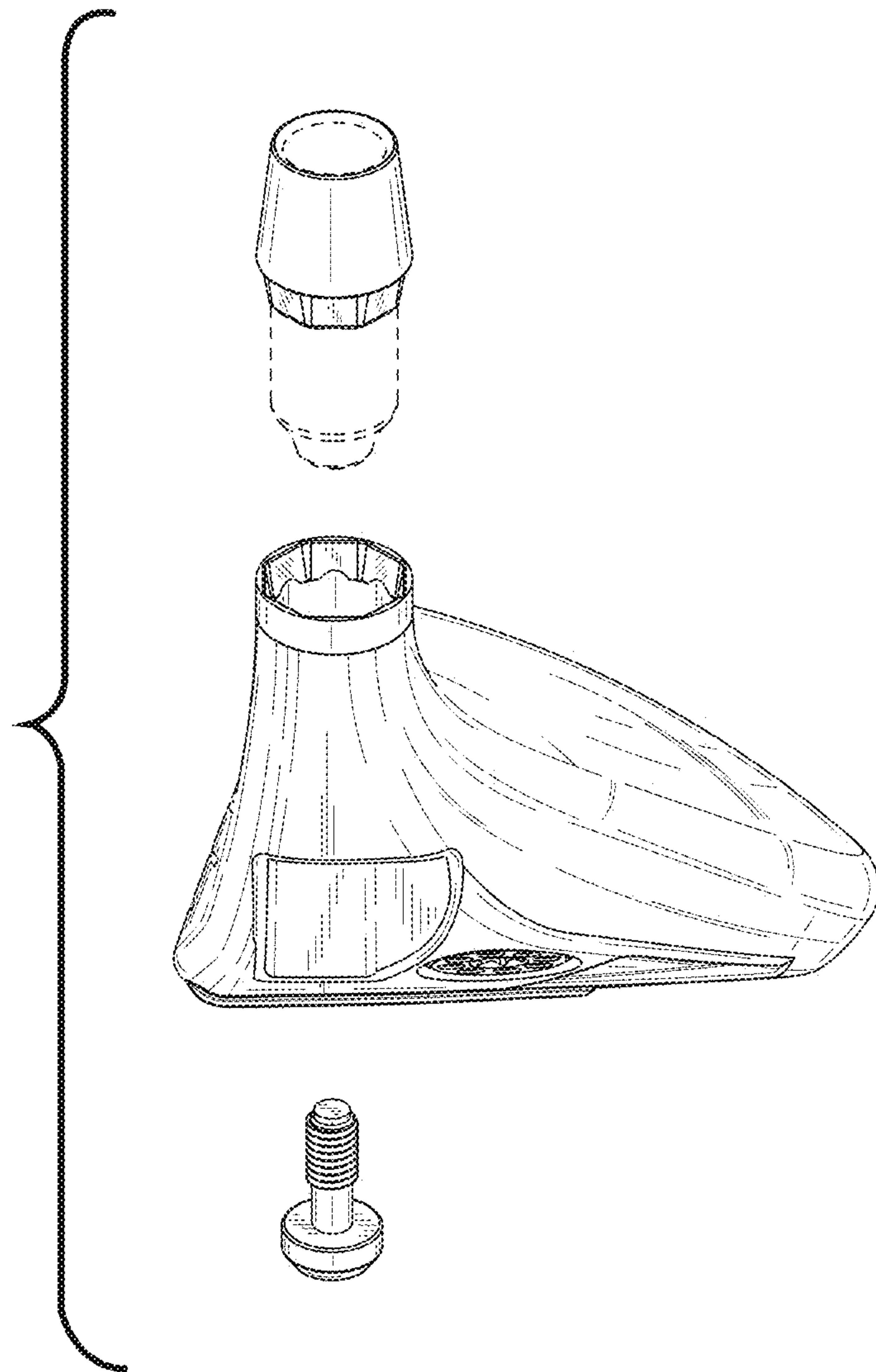


FIG. 31

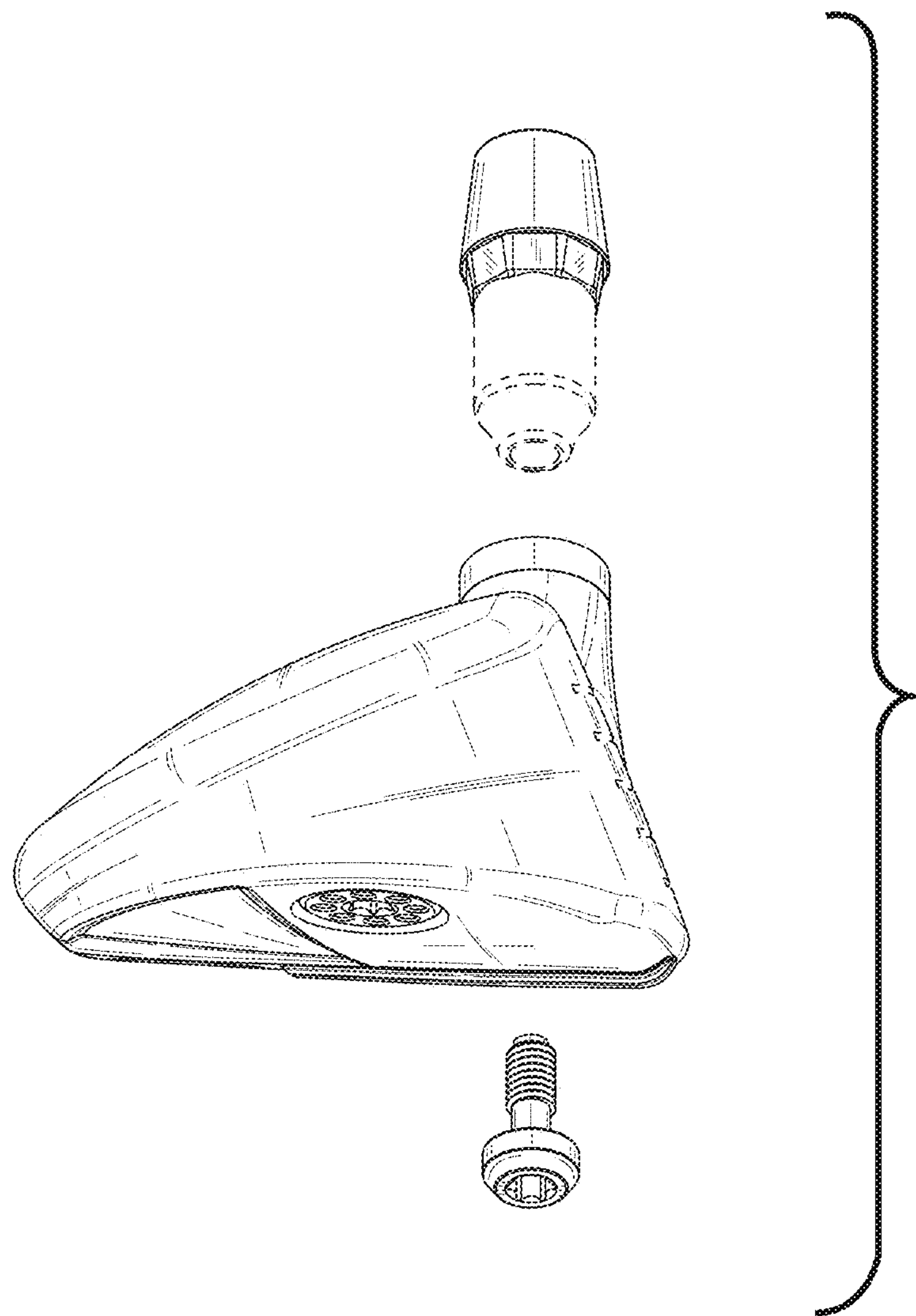


FIG. 32