



US00D973807S

(12) **United States Design Patent**  
**Chang**

(10) **Patent No.:** **US D973,807 S**

(45) **Date of Patent:** **\*\* Dec. 27, 2022**

(54) **GOLF CLUB HEAD**

(71) Applicant: **SUMITOMO RUBBER INDUSTRIES, LTD.**, Kobe (JP)

(72) Inventor: **Isaac Chang**, Fullerton, CA (US)

(73) Assignee: **SUMITOMO RUBBER INDUSTRIES, LTD.**, Kobe (JP)

(\*\*) Term: **15 Years**

(21) Appl. No.: **29/783,066**

(22) Filed: **May 11, 2021**

(51) **LOC (13) Cl.** ..... **21-02**

(52) **U.S. Cl.**  
USPC ..... **D21/747**

(58) **Field of Classification Search**  
USPC ..... D21/747-751, 759  
CPC ..... A63B 53/00; A63B 53/02; A63B 53/04;  
A63B 53/047; A63B 53/0475; A63B  
2053/0479; A63B 2053/0483; A63B  
2053/0445; A63B 60/00; A63B 60/46  
See application file for complete search history.

(56) **References Cited**

**U.S. PATENT DOCUMENTS**

D323,689 S *	2/1992	Hardman	.....	D21/748
D570,942 S *	6/2008	Chen	.....	D21/759
D571,425 S *	6/2008	Chen	.....	D21/759
D571,426 S *	6/2008	Chen	.....	D21/759
D571,427 S *	6/2008	Schweigert	.....	D21/759
D574,915 S *	8/2008	Jones	.....	D21/759
D577,779 S *	9/2008	Roach	.....	D21/749
D702,783 S *	4/2014	Wolfe	.....	D21/747
D710,471 S *	8/2014	Kim	.....	D21/759
D710,472 S *	8/2014	Kim	.....	D21/759
D711,994 S *	8/2014	Kim	.....	D21/759
D753,249 S *	4/2016	Song	.....	D21/749
D753,250 S *	4/2016	Song	.....	D21/749

D827,076 S *	8/2018	Tang	.....	D21/759
D851,718 S *	6/2019	Stokke	.....	D21/747
D854,639 S *	7/2019	Chun	.....	D21/747
D859,548 S *	9/2019	Oyler	.....	D21/747
D877,834 S *	3/2020	Song	.....	D21/759
D900,261 S *	10/2020	Chun	.....	D21/747
D914,815 S *	3/2021	Clarke	.....	D21/747
D926,273 S *	7/2021	Agrella	.....	D21/747

(Continued)

**OTHER PUBLICATIONS**

Golf irons google search; google.com; Oct. 15, 2022.\*

*Primary Examiner* — Mitchell I. Siegel

(74) *Attorney, Agent, or Firm* — Oliff PLC

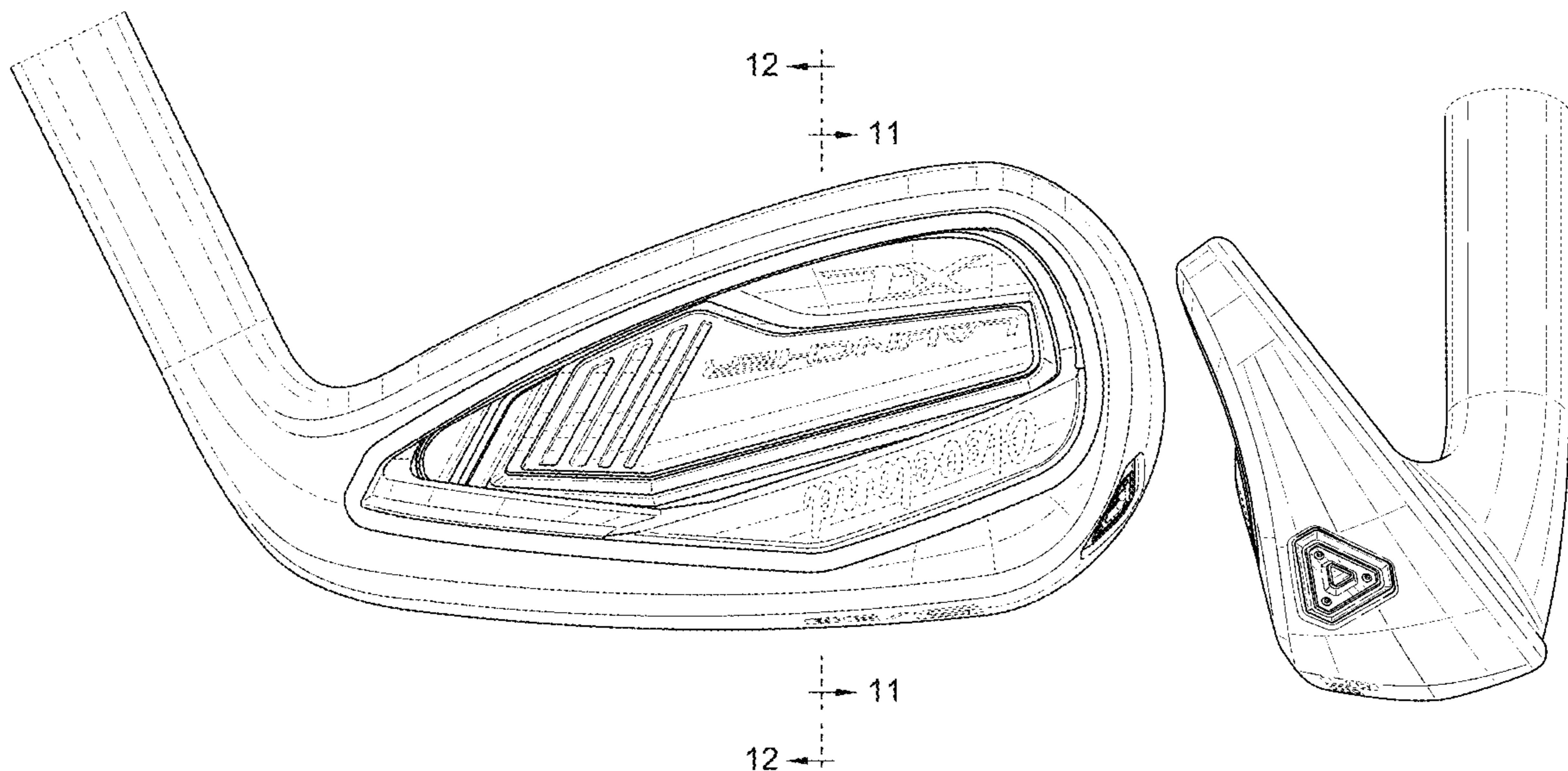
(57) **CLAIM**

The ornamental design for a golf club head, as shown and described.

**DESCRIPTION**

FIG. 1 is a rear, heel-side, top perspective view of a golf club head, showing the new design;  
 FIG. 2 is a rear elevational view thereof;  
 FIG. 3 is a front elevational view thereof;  
 FIG. 4 is a heel-side elevational view thereof;  
 FIG. 5 is a toe-side elevational view thereof;  
 FIG. 6 is a top plan view thereof;  
 FIG. 7 is a bottom plan view thereof;  
 FIG. 8 is a front, toe-side, bottom perspective view thereof;  
 FIG. 9 is a front, heel-side, bottom perspective view thereof;  
 FIG. 10 is a front, heel-side, top perspective view thereof;  
 FIG. 11 is a cross-sectional view taken along the heavy broken line in FIG. 2 in the direction of arrows 11; and,  
 FIG. 12 is a cross-sectional view taken along the heavy broken line in FIG. 2 in the direction of arrows 12.  
 The broken lines depict parts of the golf club head that form no part of the claimed design.

**1 Claim, 11 Drawing Sheets**



(56)

**References Cited**

U.S. PATENT DOCUMENTS

D926,274 S \* 7/2021 Agrella ..... D21/747  
D926,899 S \* 8/2021 Clarke ..... D21/747

\* cited by examiner

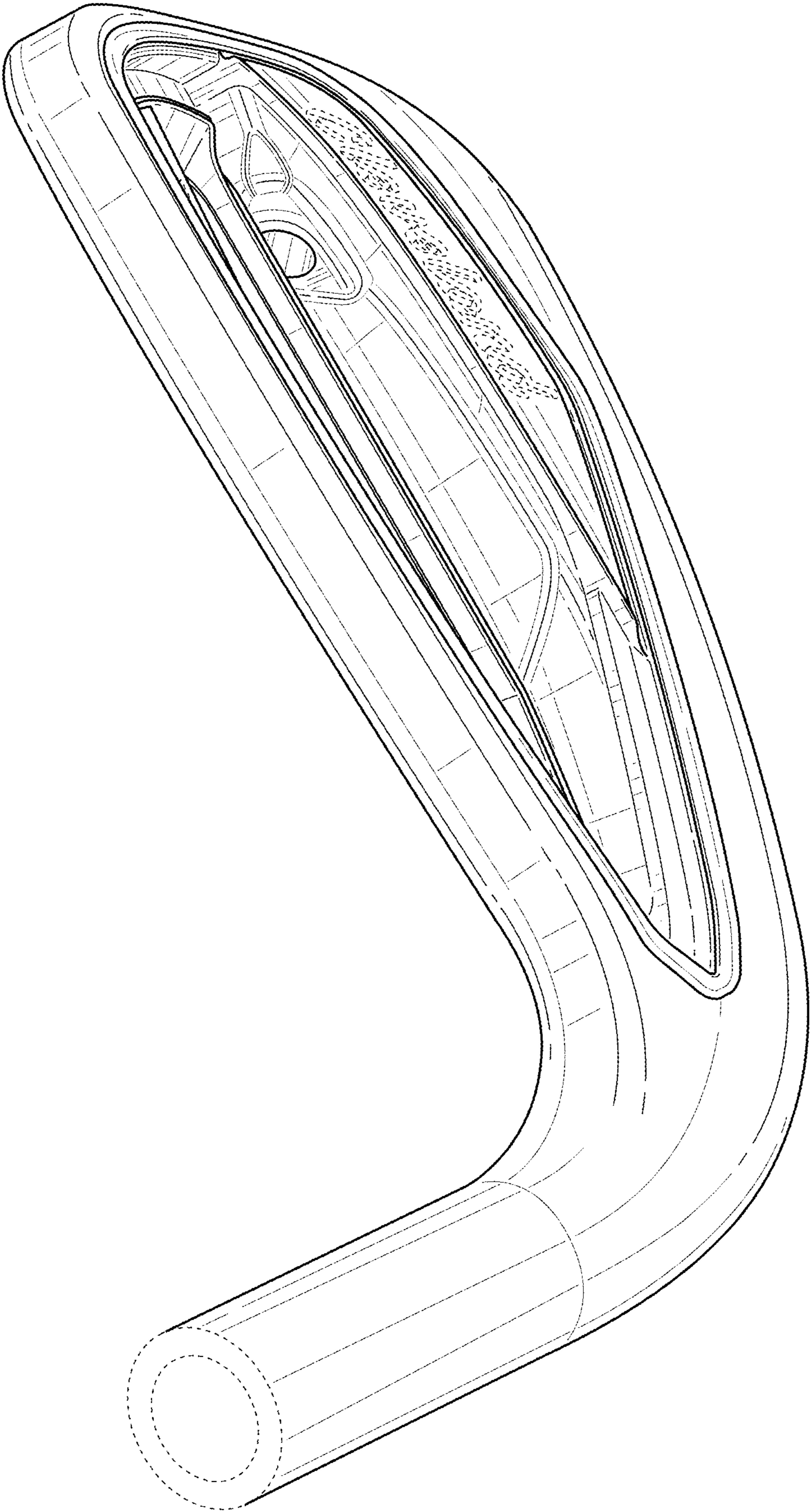


FIG. 1



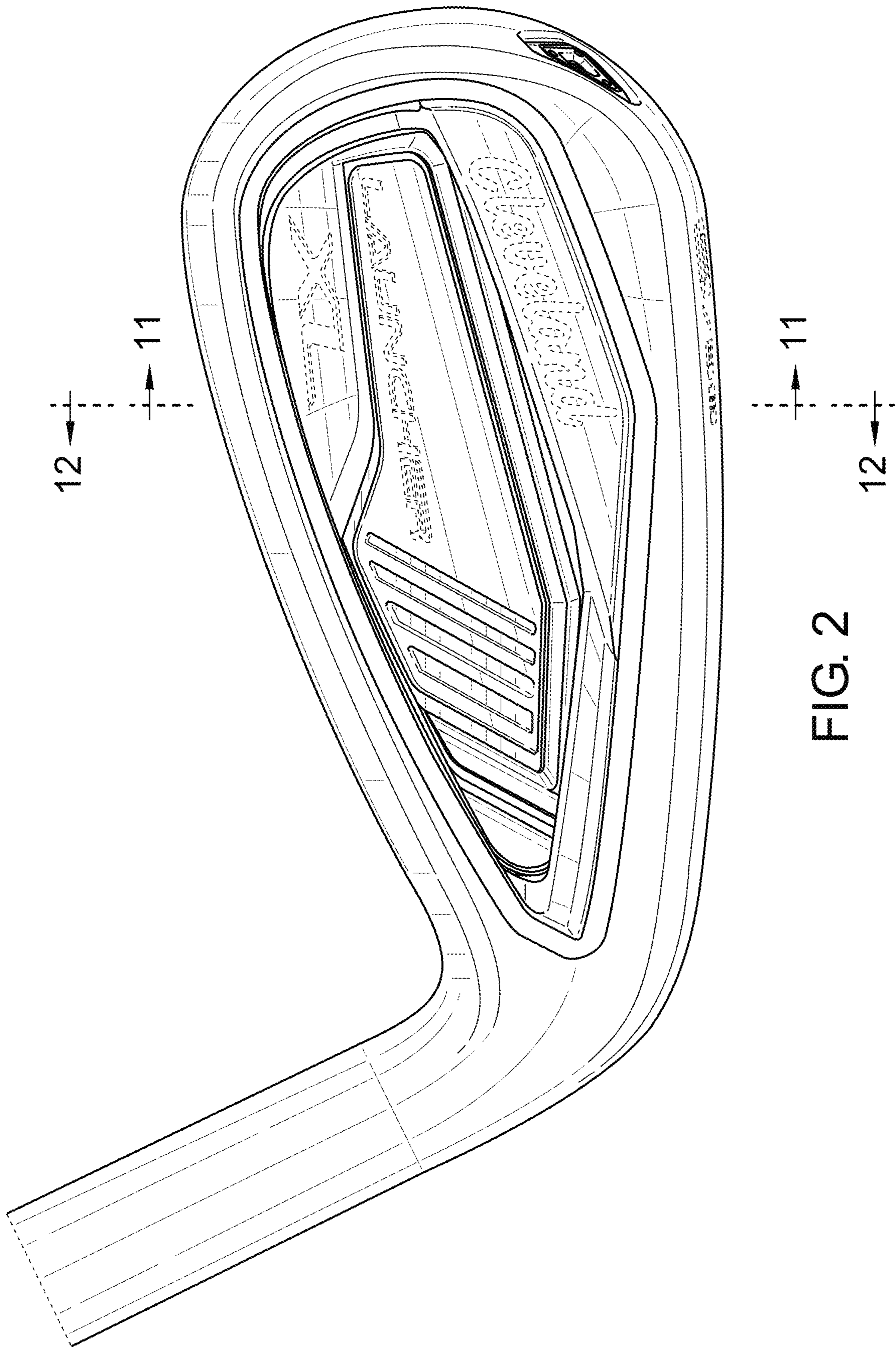


FIG. 2

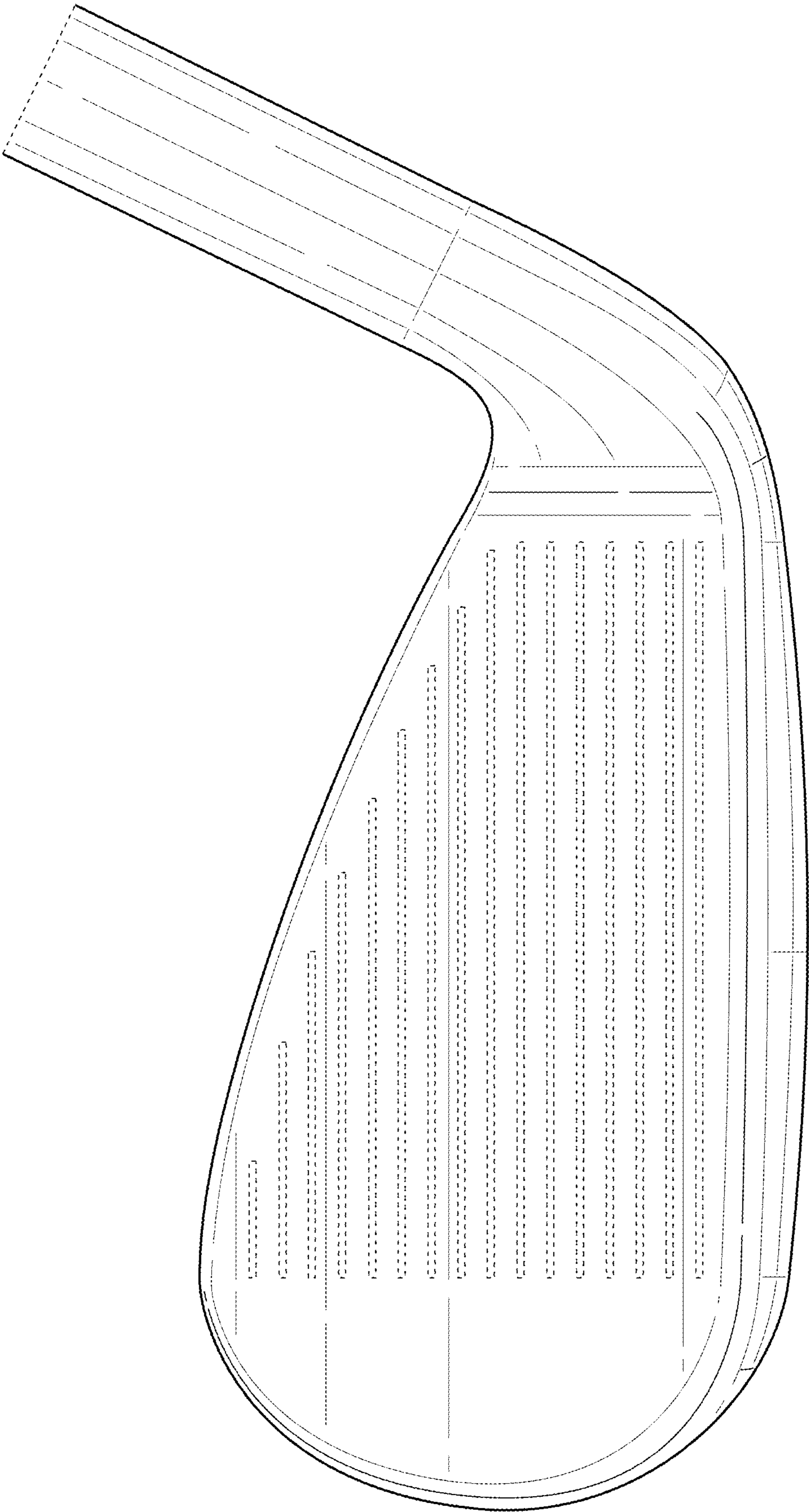


FIG. 3

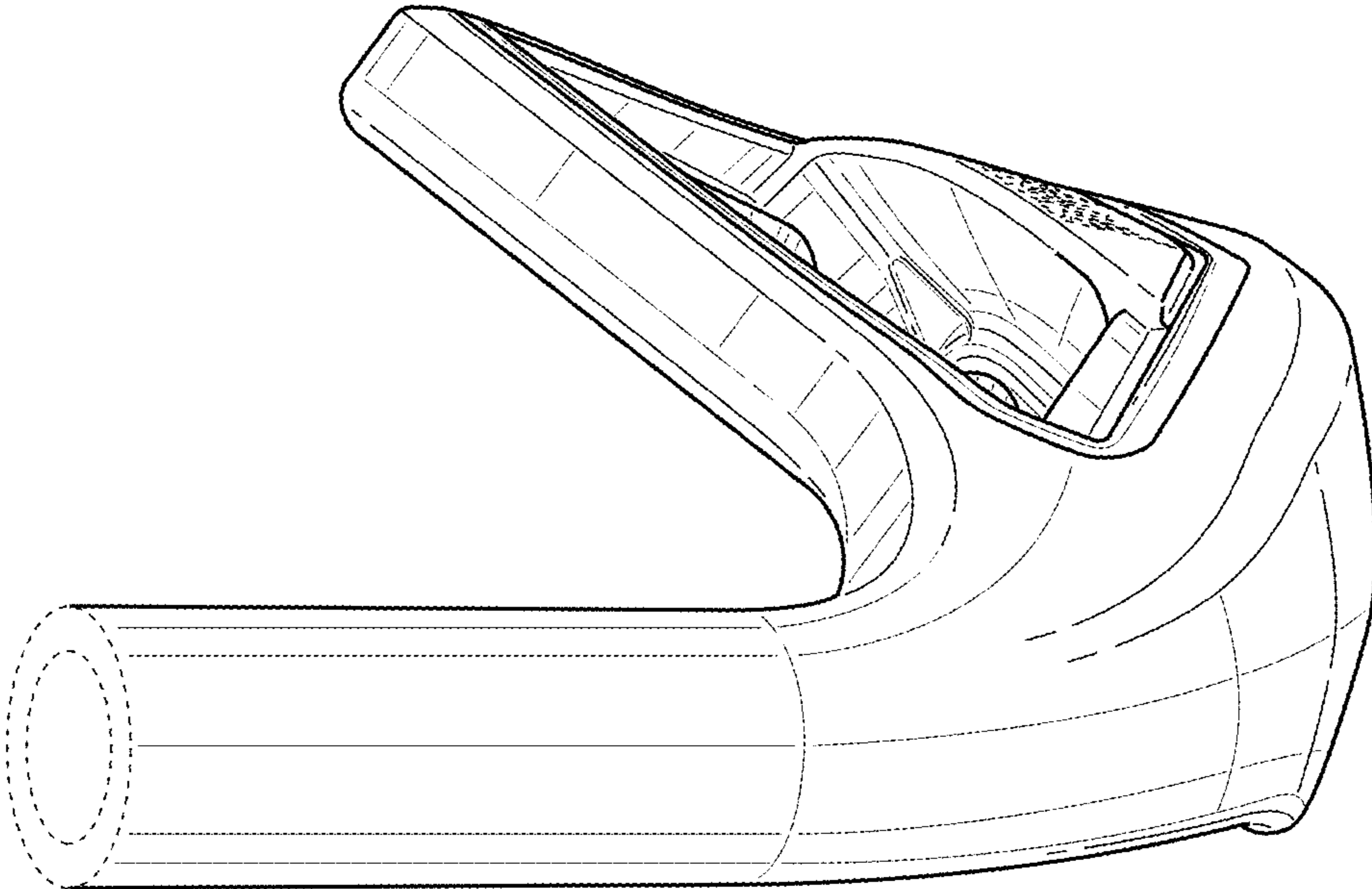


FIG. 4

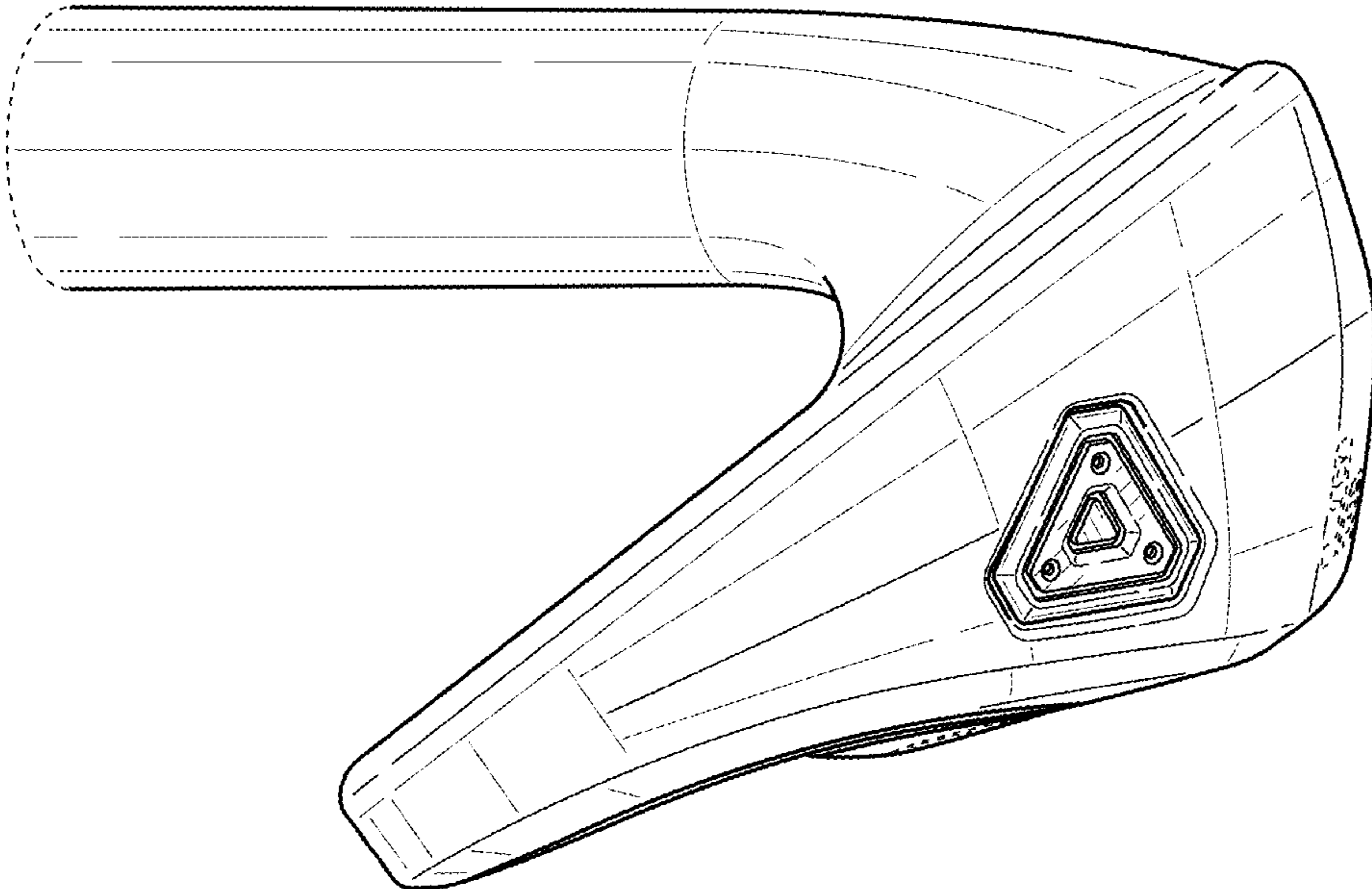


FIG. 5



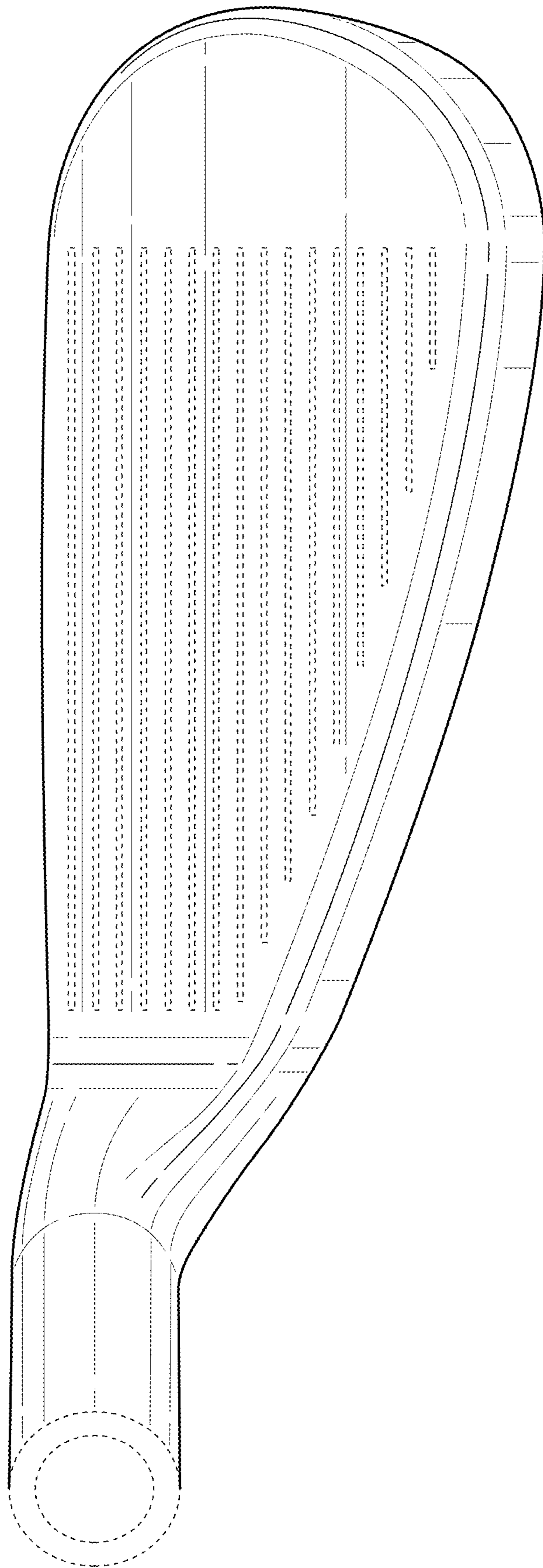


FIG. 6



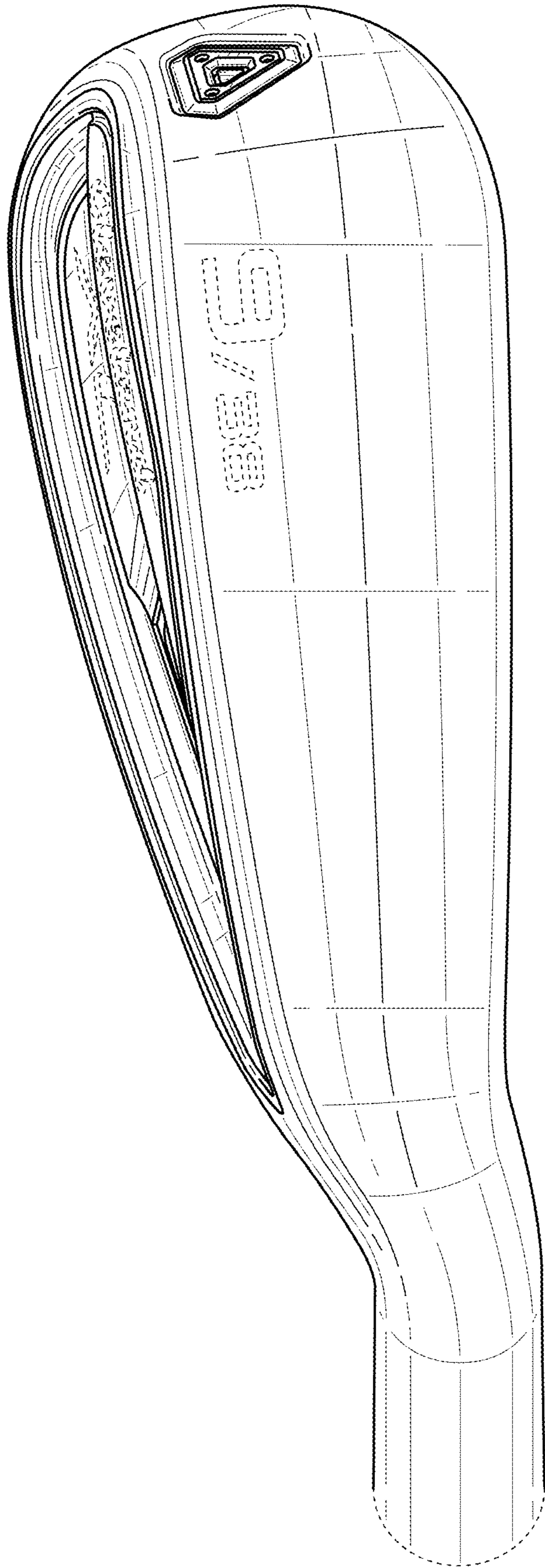


FIG. 7

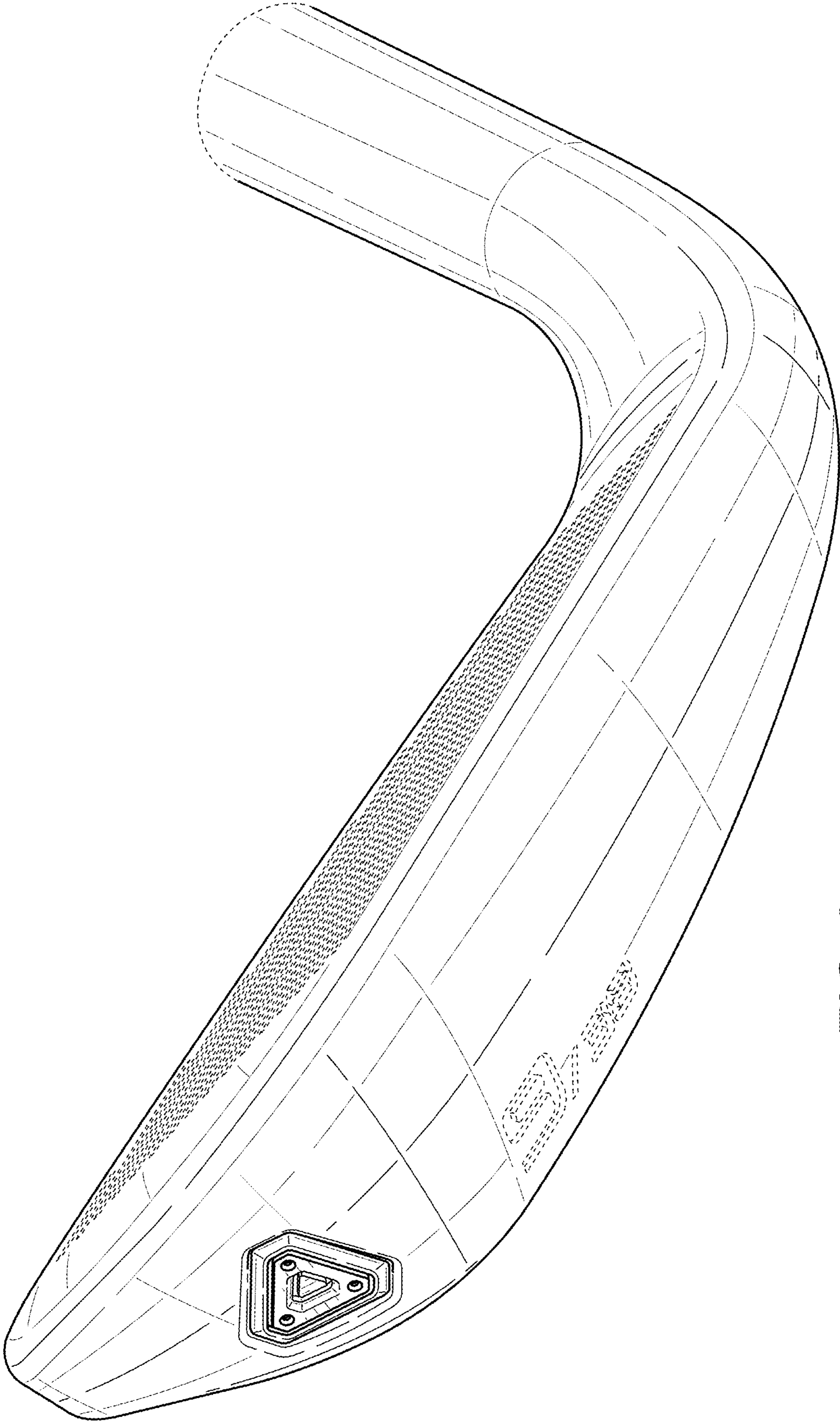


FIG. 8

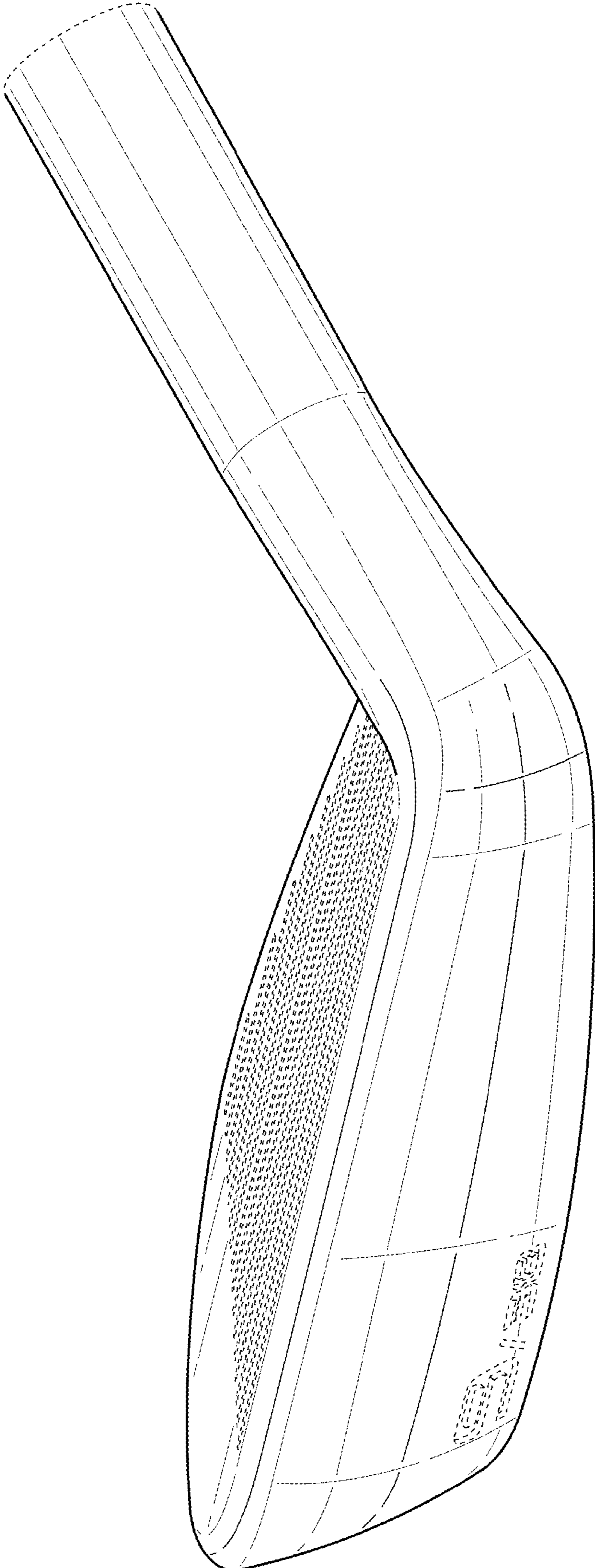


FIG. 9

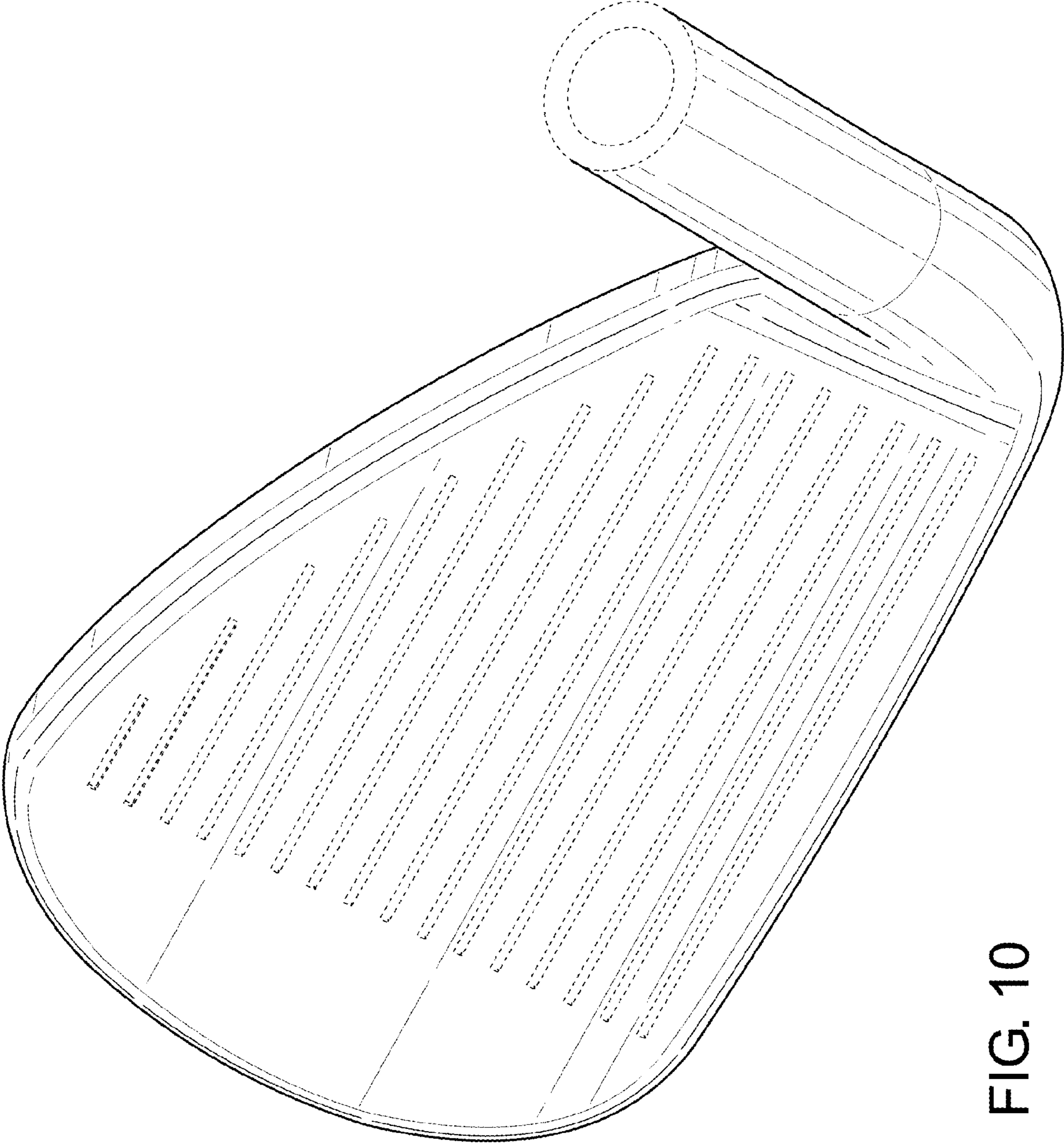


FIG. 10



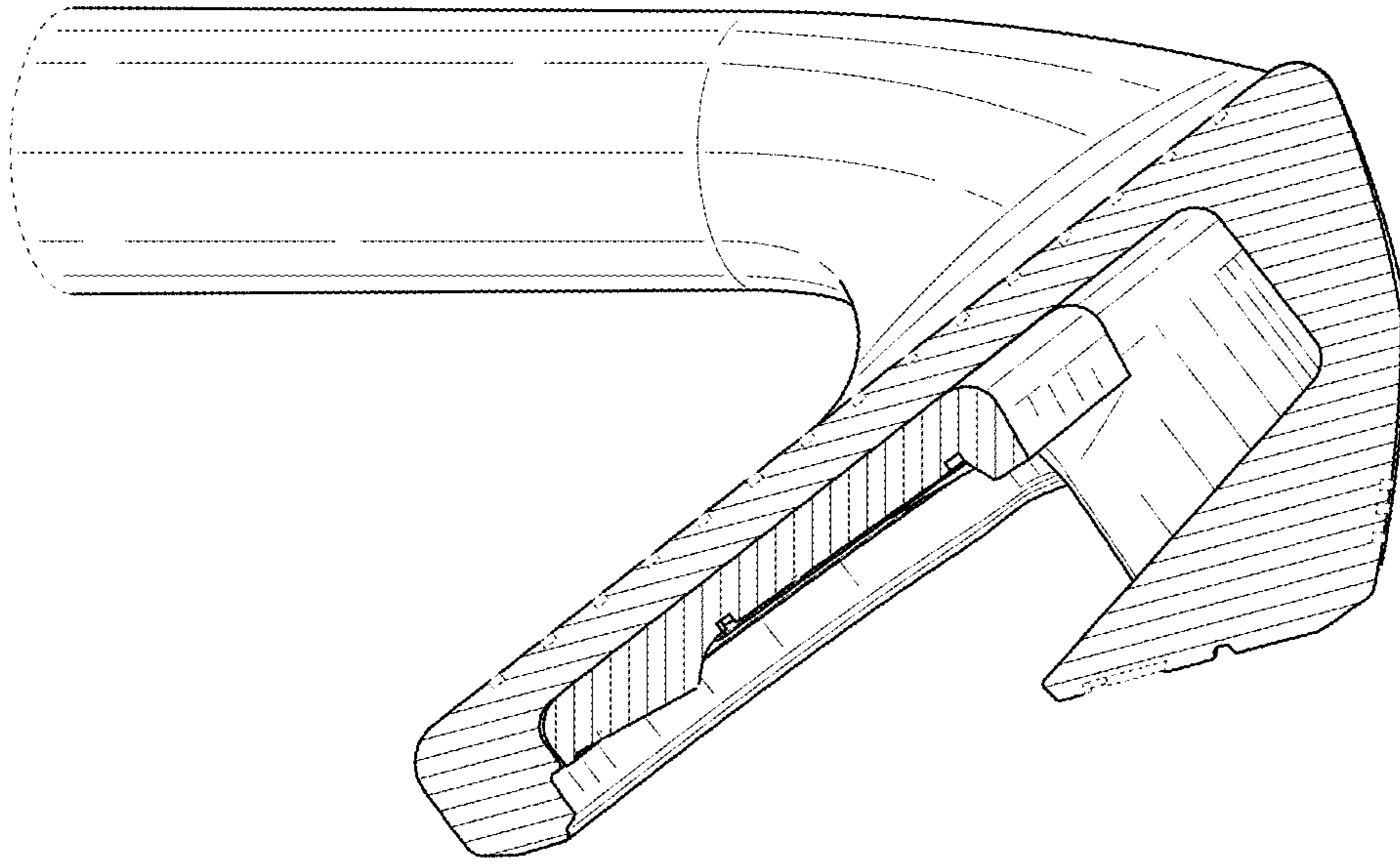


FIG. 12

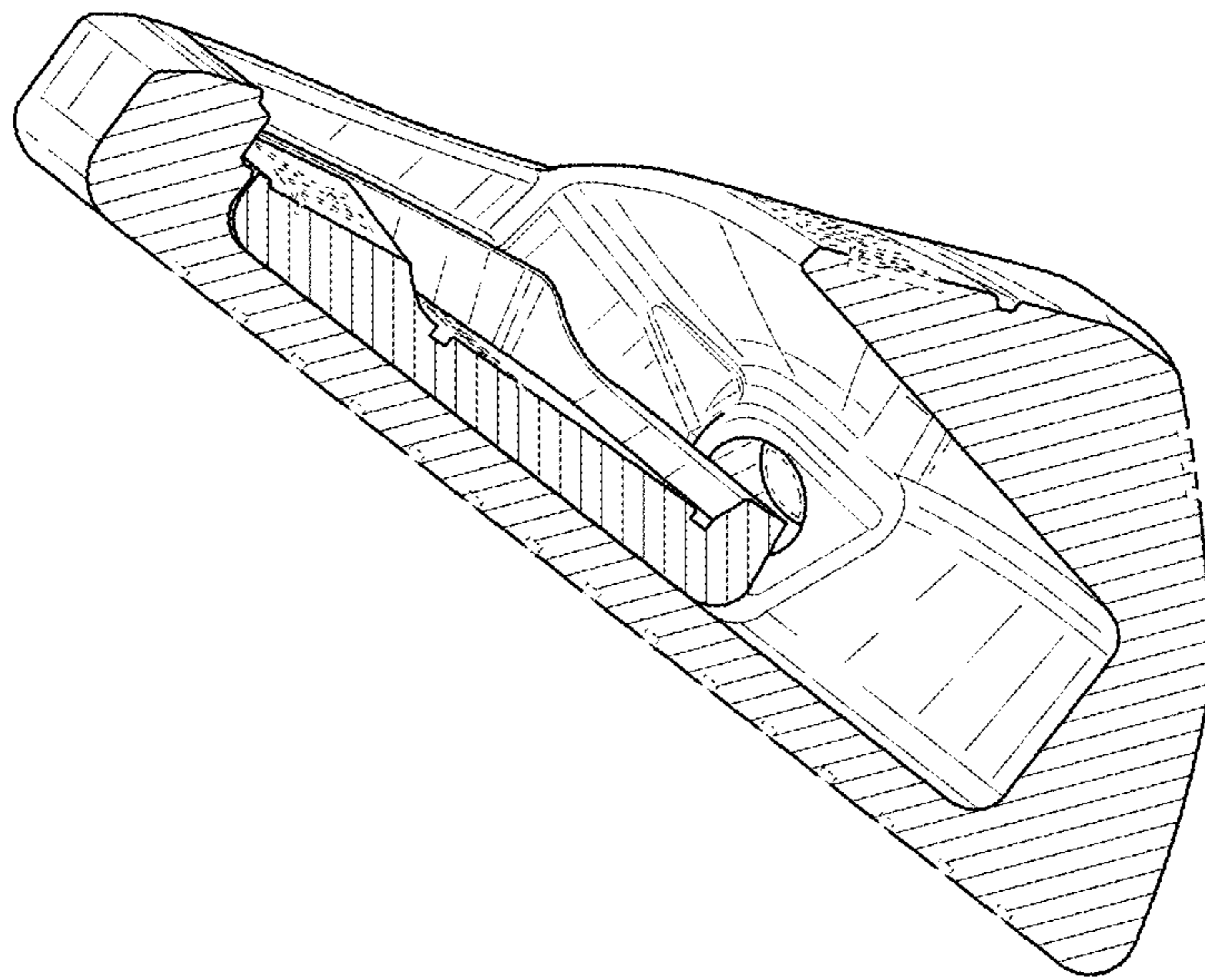


FIG. 11