

US00D973806S

(12) **United States Design Patent**
Cyrulik

(10) **Patent No.:** **US D973,806 S**

(45) **Date of Patent:** **** Dec. 27, 2022**

- (54) **GOLF CLUB HEAD**
- (71) Applicant: **SUMITOMO RUBBER INDUSTRIES, LTD.**, Kobe (JP)
- (72) Inventor: **Darius Cyrulik**, Alhambra, CA (US)
- (73) Assignee: **SUMITOMO RUBBER INDUSTRIES, LTD.**, Kobe (JP)

D710,471 S *	8/2014	Kim	D21/759
D710,472 S *	8/2014	Kim	D21/759
D860,358 S *	9/2019	Stokke	D21/747
D877,834 S *	3/2020	Song	D21/759
D928,261 S *	8/2021	Clarke	D21/747
D931,963 S *	9/2021	Kuan	D21/747
D939,651 S *	12/2021	Kuan	D21/747
D961,030 S *	8/2022	Clarke	D21/747

(**) Term: **15 Years**

(21) Appl. No.: **29/783,052**

(22) Filed: **May 11, 2021**

(51) **LOC (13) Cl.** **21-02**

(52) **U.S. Cl.**
USPC **D21/747**

(58) **Field of Classification Search**
USPC D21/747-751, 759
CPC A63B 53/00; A63B 53/02; A63B 53/04;
A63B 53/047; A63B 53/0475; A63B
2053/0479; A63B 2053/0483; A63B
2053/0445; A63B 60/00; A63B 60/46
See application file for complete search history.

(56) **References Cited**

U.S. PATENT DOCUMENTS

D395,476 S *	6/1998	Pond	D21/747
D422,329 S *	4/2000	Raymond	D21/747
D476,707 S *	7/2003	Walker	D21/747
D478,949 S *	8/2003	DeLaCruz	D21/747
D491,241 S *	6/2004	Long	D21/747
D570,942 S *	6/2008	Chen	D21/759
D571,425 S *	6/2008	Chen	D21/759
D571,426 S *	6/2008	Chen	D21/759
D571,427 S *	6/2008	Schweigert	D21/759
D574,915 S *	8/2008	Jones	D21/759
D703,282 S *	4/2014	Breier	D21/747

OTHER PUBLICATIONS

Golf irons google search; google.com; Oct. 15, 2022.*

* cited by examiner

Primary Examiner — Mitchell I. Siegel

(74) *Attorney, Agent, or Firm* — Oliff PLC

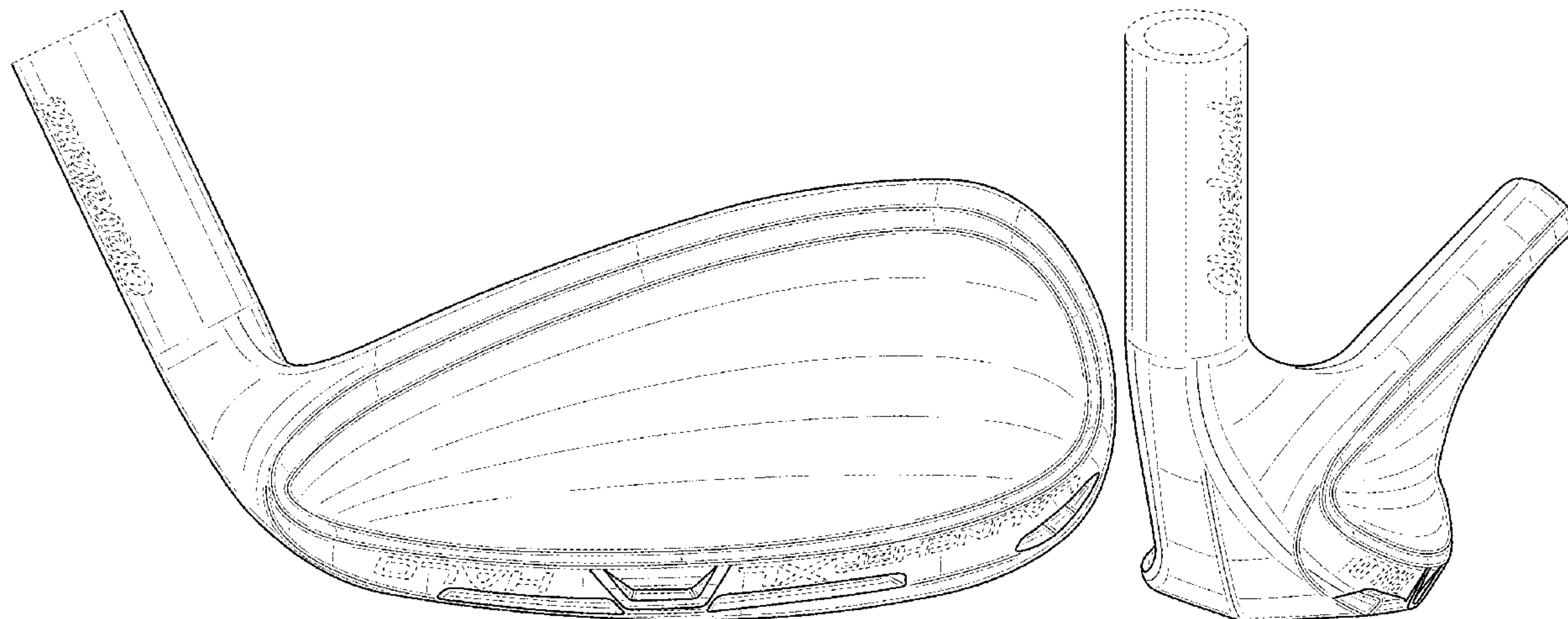
(57) **CLAIM**

The ornamental design for a golf club head, as shown and described.

DESCRIPTION

FIG. 1 is a rear, heel-side, top perspective view of a golf club head, showing the new design;
 FIG. 2 is a rear elevational view thereof;
 FIG. 3 is a front elevational view thereof;
 FIG. 4 is a heel-side elevational view thereof;
 FIG. 5 is a toe-side elevational view thereof;
 FIG. 6 is a top plan view thereof;
 FIG. 7 is a bottom plan view thereof;
 FIG. 8 is a front, heel-side, top perspective view thereof;
 FIG. 9 is a front, heel-side, bottom perspective view thereof;
 and,
 FIG. 10 is a front, toe-side, bottom perspective view thereof.
 The broken lines depict parts of the golf club head that form no part of the claimed design.

1 Claim, 10 Drawing Sheets



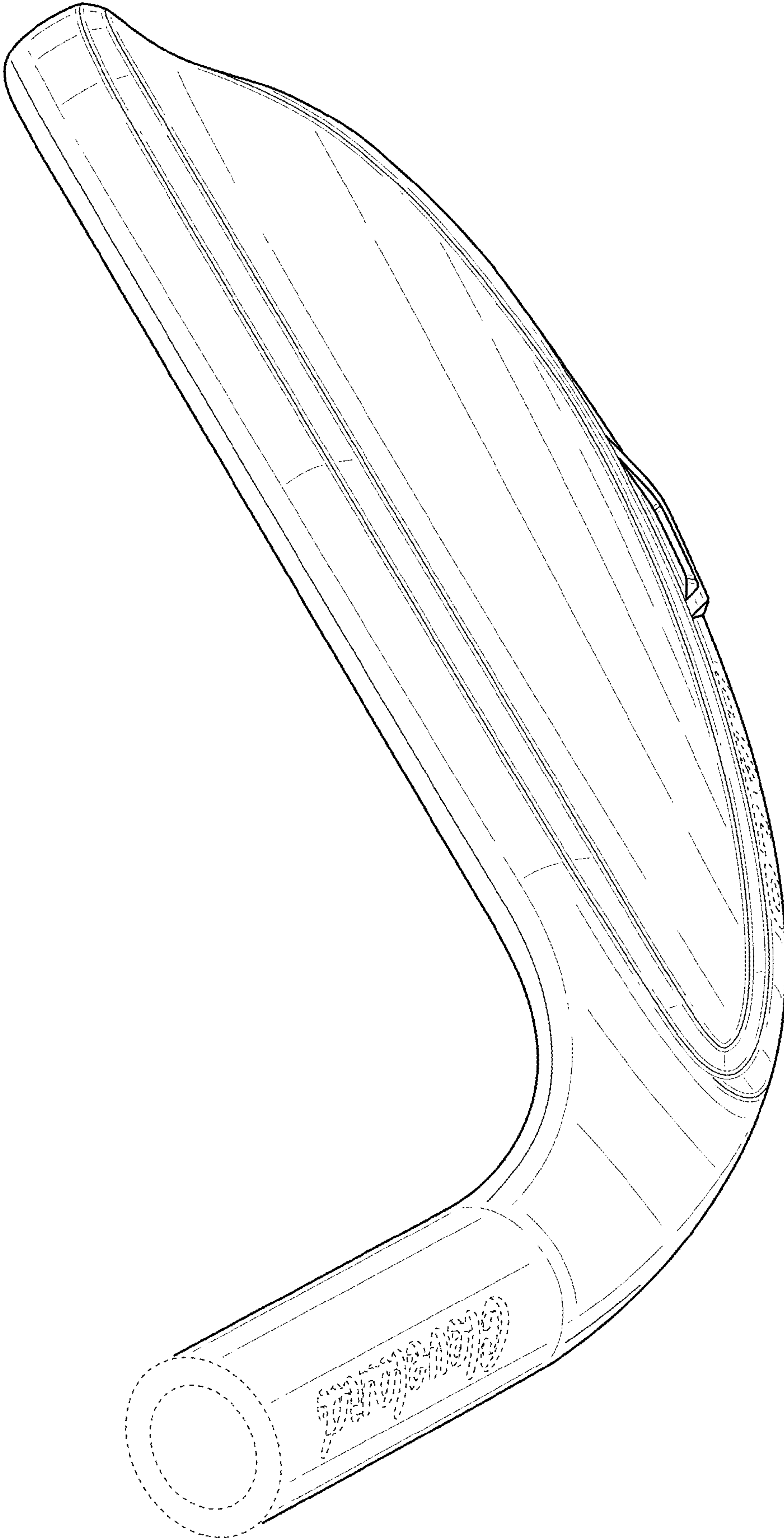


FIG. 1

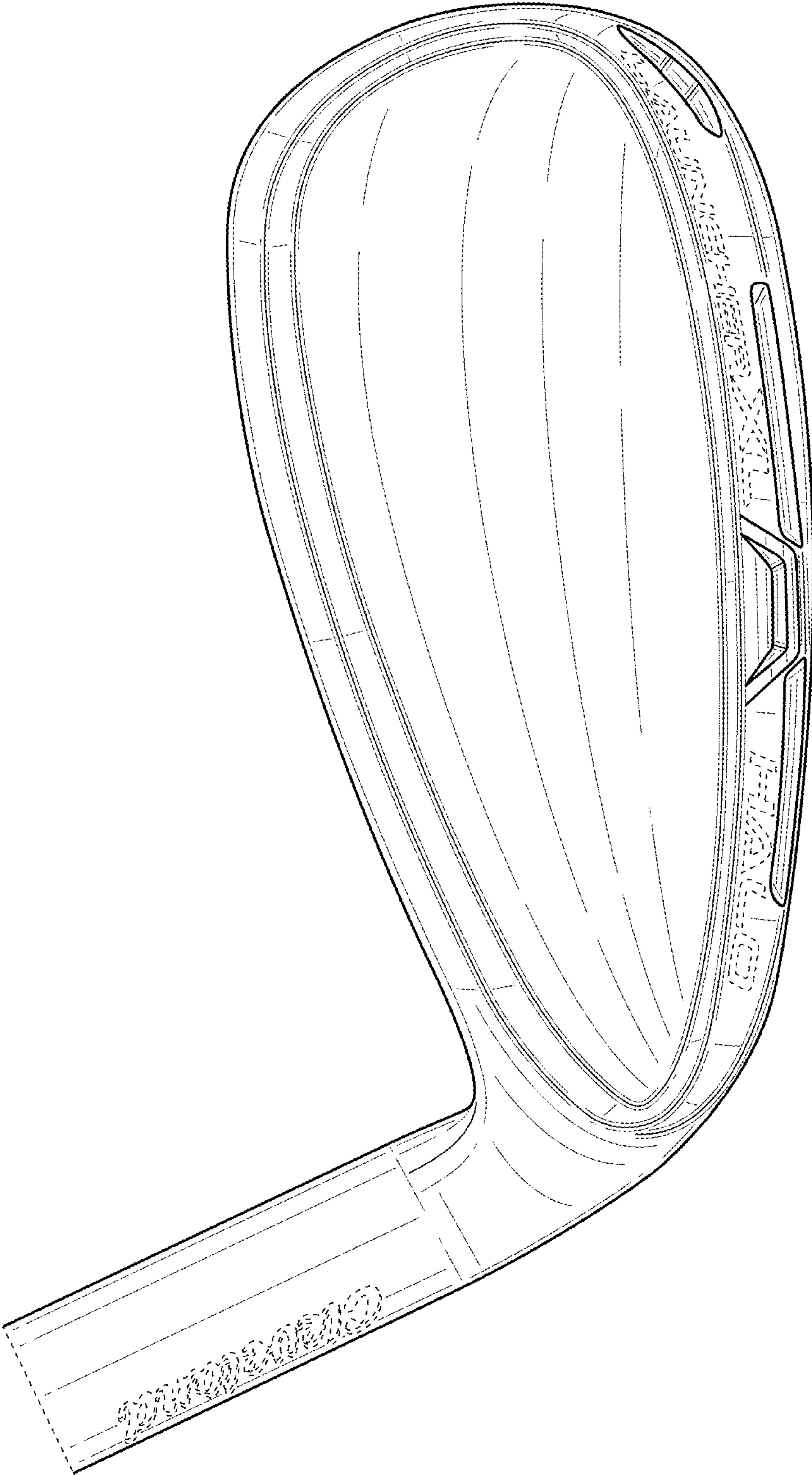


FIG. 2

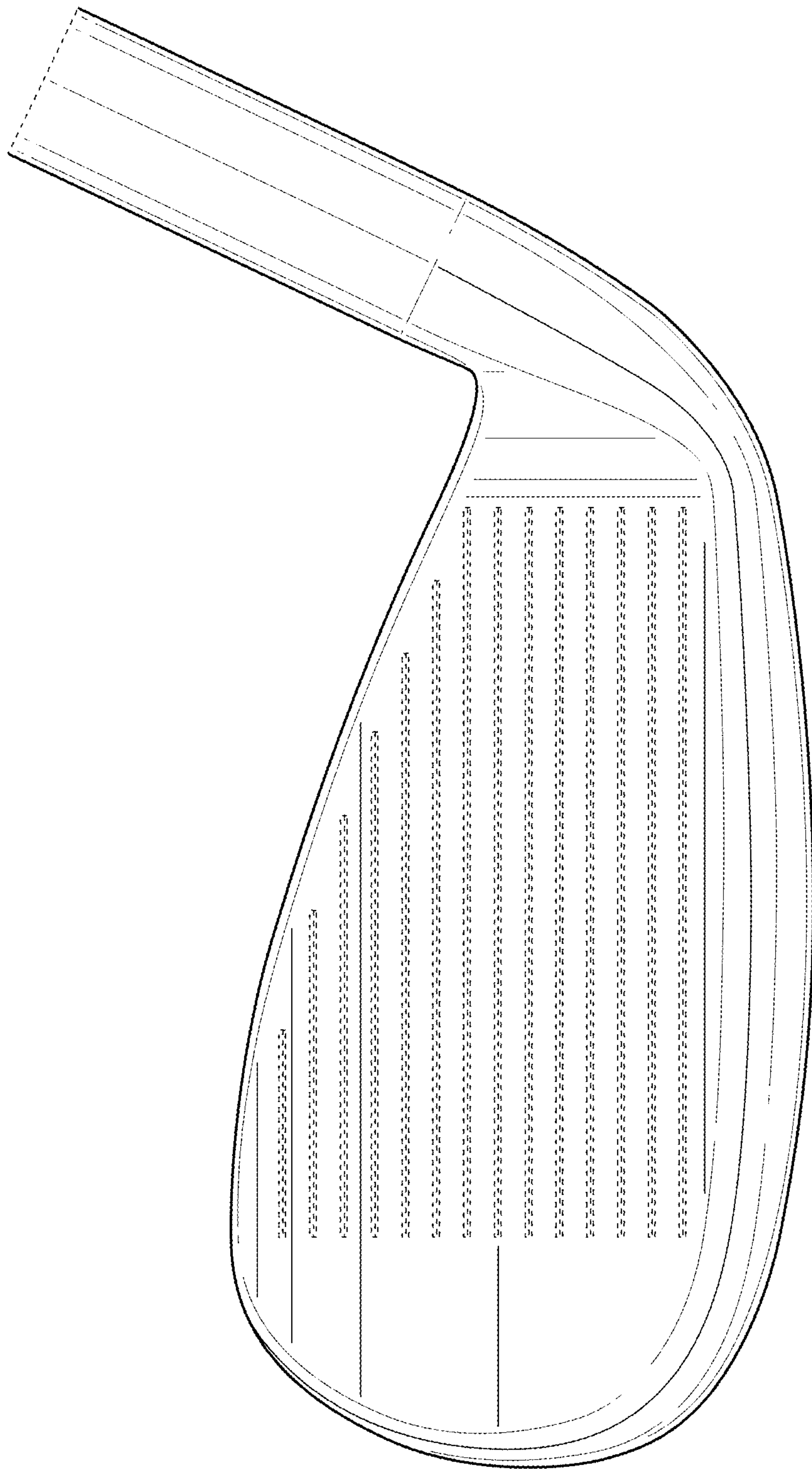


FIG. 3

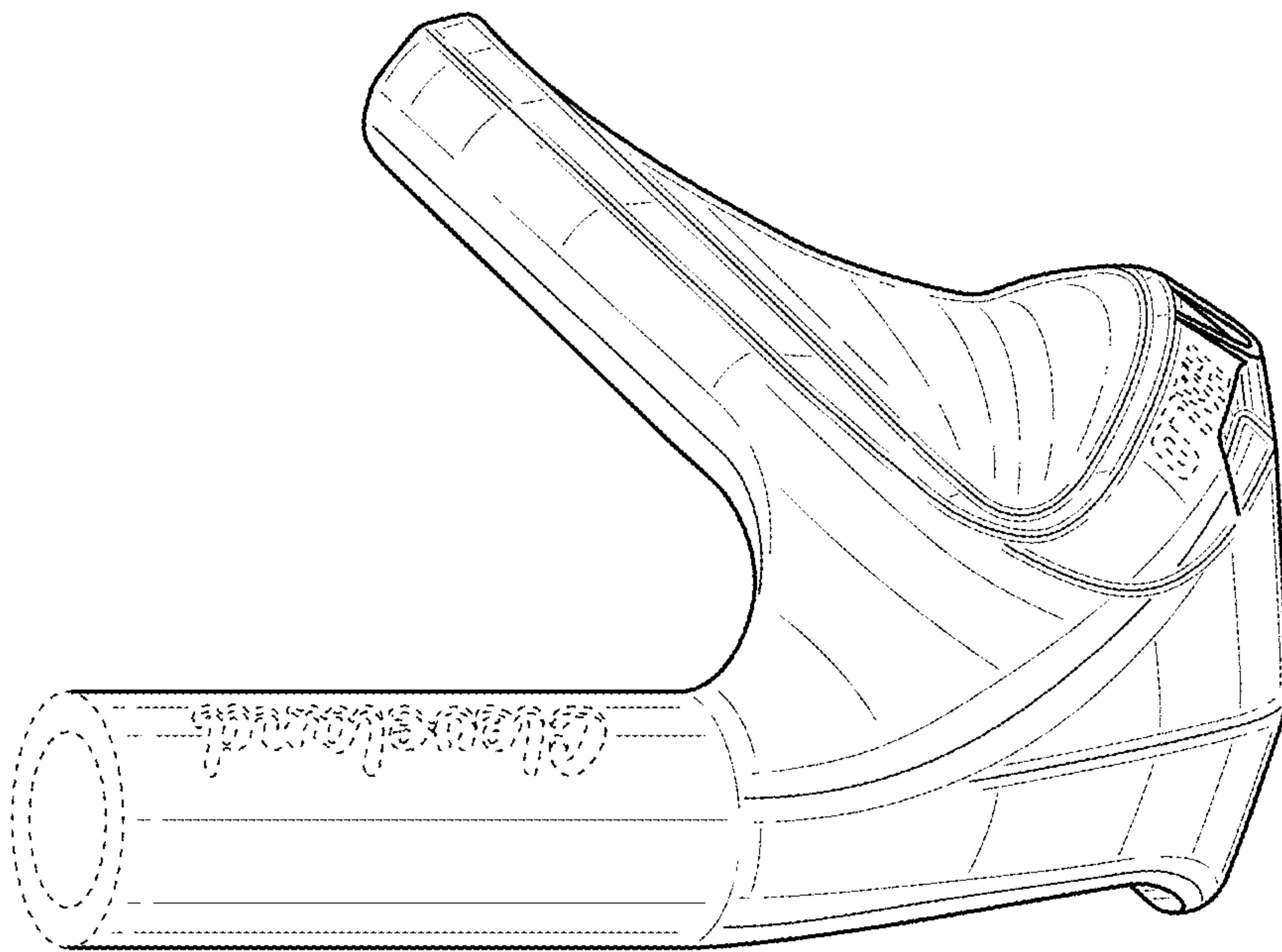


FIG. 4

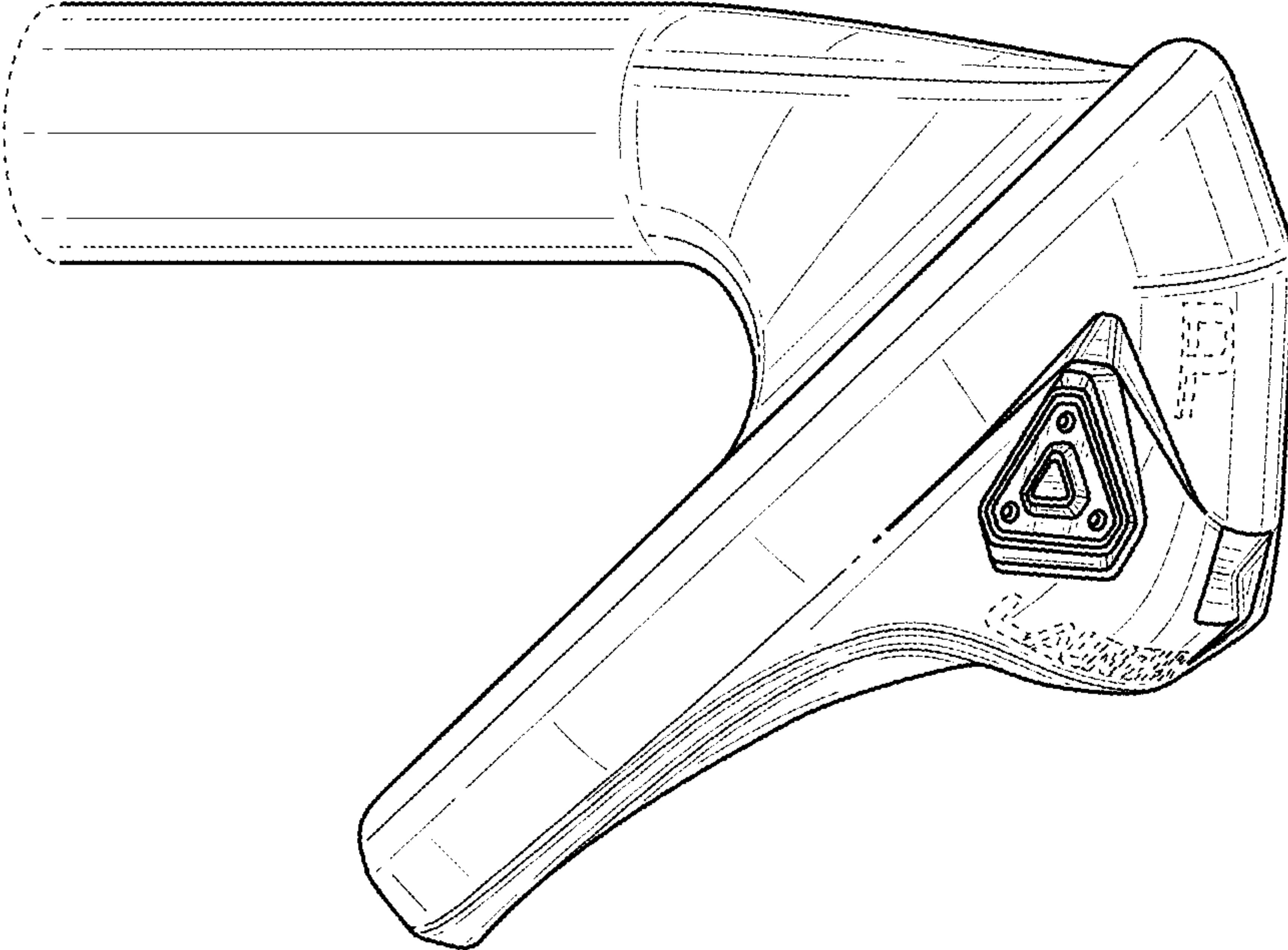


FIG. 5

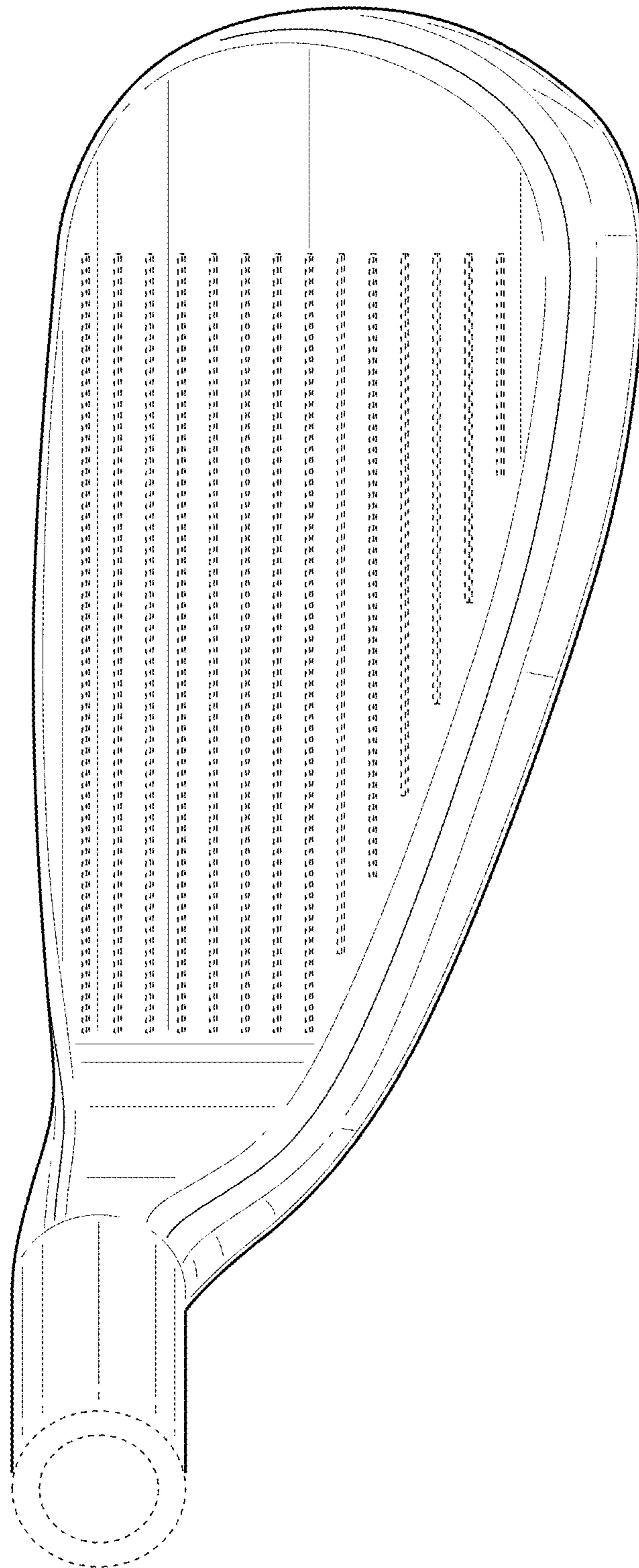


FIG. 6

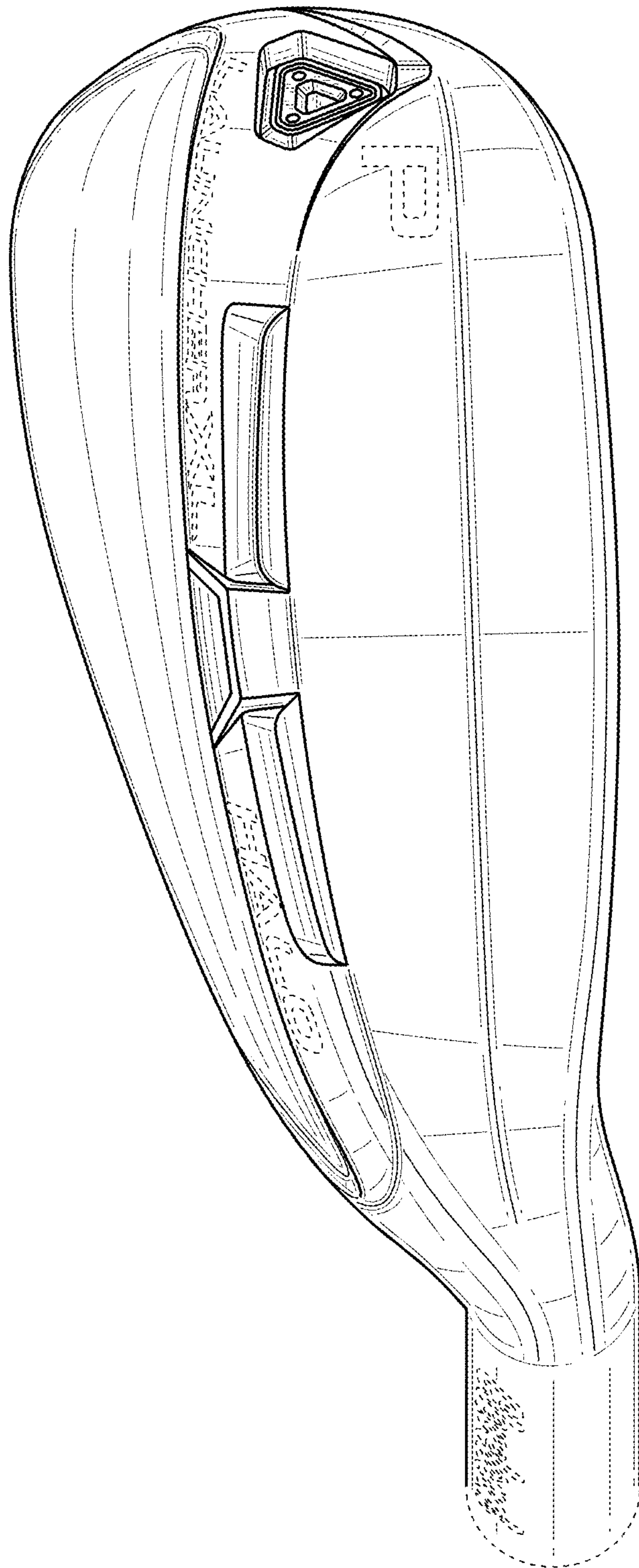


FIG. 7

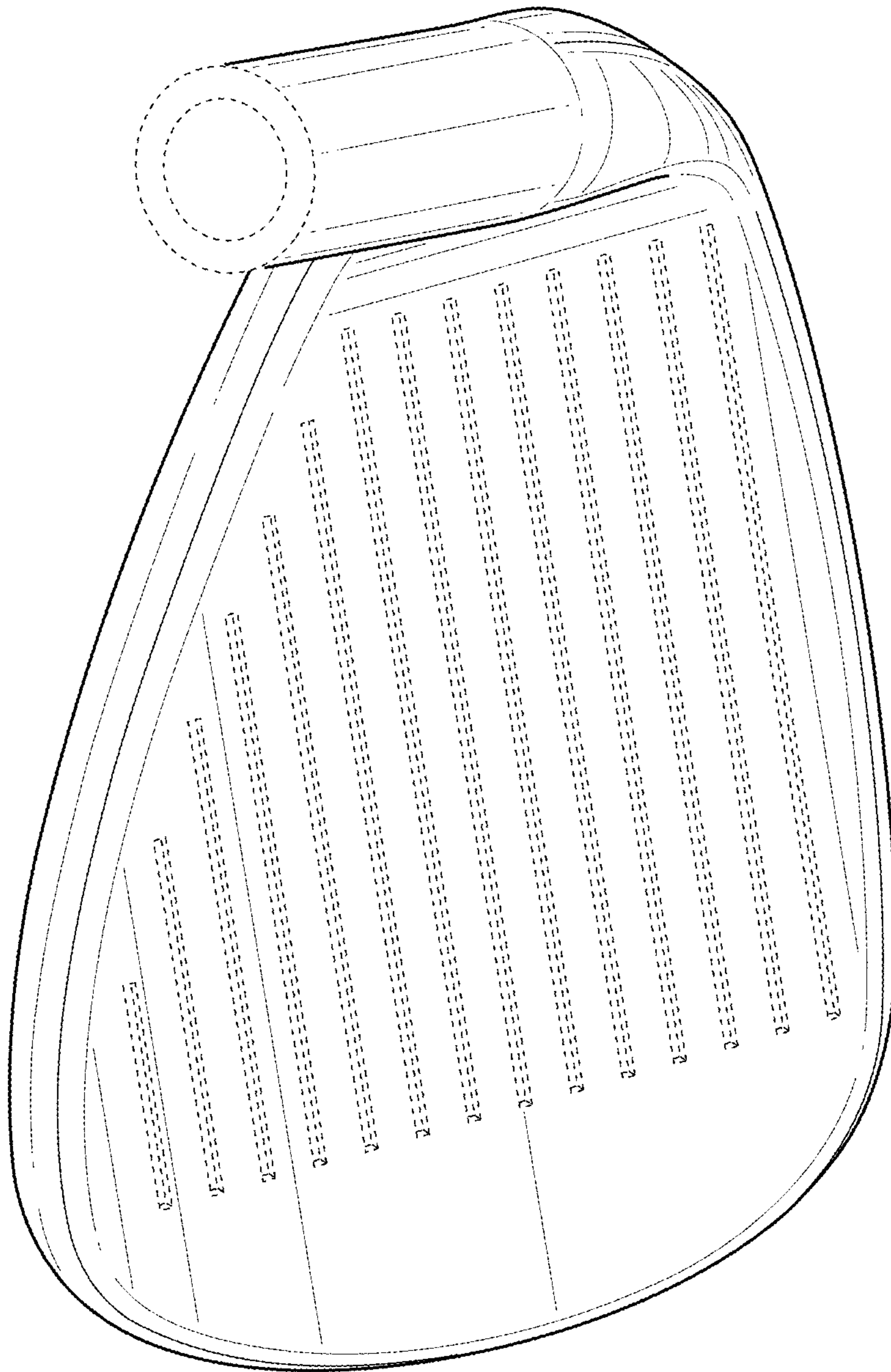


FIG. 8

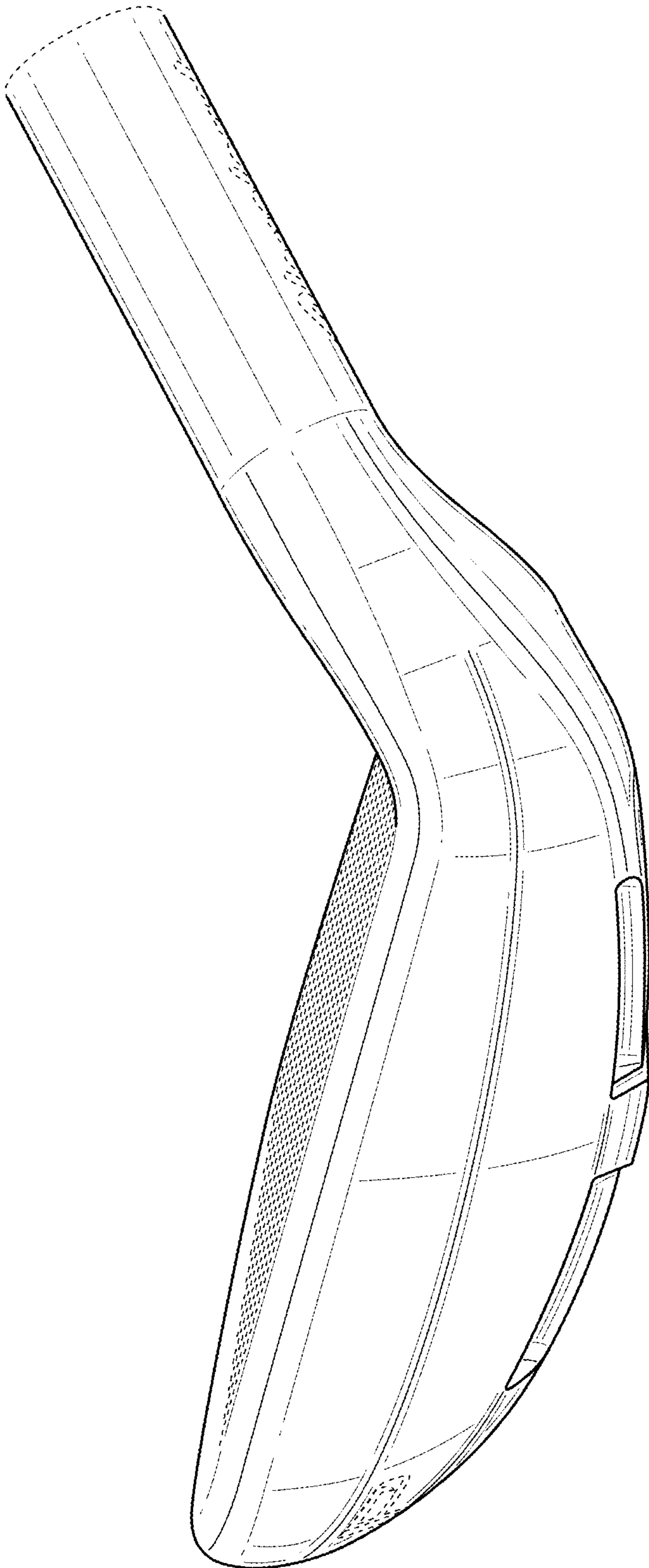


FIG. 9

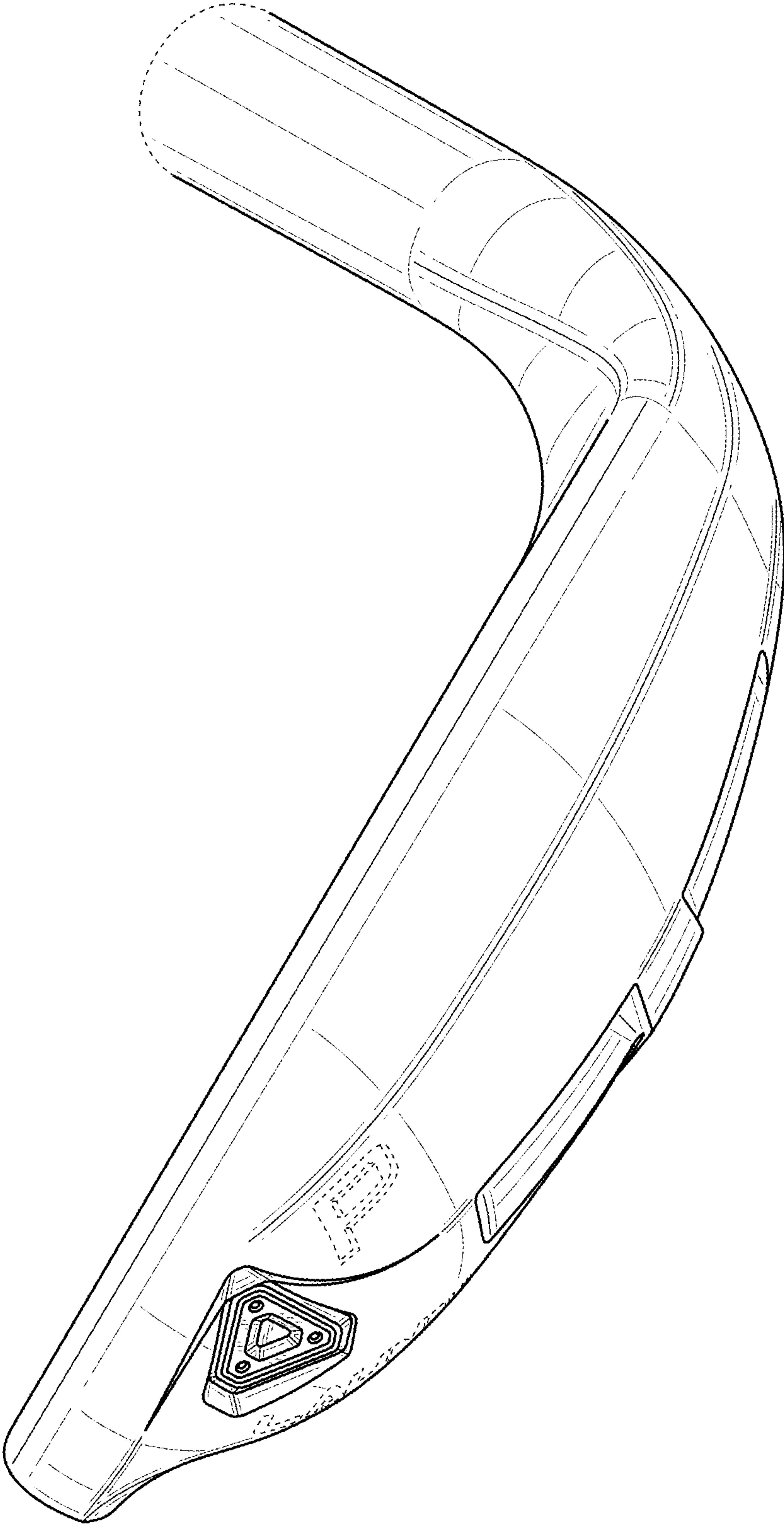


FIG. 10