



US00D973804S

(12) **United States Design Patent**  
**Kuan et al.**

(10) **Patent No.:** **US D973,804 S**

(45) **Date of Patent:** **\*\* Dec. 27, 2022**

(54) **GOLF CLUB HEAD**

(71) Applicant: **SUMITOMO RUBBER INDUSTRIES, LTD.**, Kobe (JP)

(72) Inventors: **Jimmy Kuan**, West Covina, CA (US);  
**Darius Cyrulik**, Alhambra, CA (US);  
**Isaac Chang**, Fullerton, CA (US);  
**Alexandra Agrella**, Vista, CA (US);  
**Phillip Seagram**, Somerville, MA (US)

(73) Assignee: **SUMITOMO RUBBER INDUSTRIES, LTD.**, Kobe (JP)

(\*\*) Term: **15 Years**

(21) Appl. No.: **29/780,091**

(22) Filed: **Apr. 22, 2021**

(51) **LOC (13) Cl.** ..... **21-02**

(52) **U.S. Cl.**  
USPC ..... **D21/743**

(58) **Field of Classification Search**  
USPC ..... D21/736-746, 759  
CPC ..... A63B 53/00; A63B 53/04; A63B 53/007;  
A63B 53/065; A63B 53/0487; A63B  
60/00; A63B 60/46  
See application file for complete search history.

(56) **References Cited**

**U.S. PATENT DOCUMENTS**

5,308,067	A *	5/1994	Cook	.....	A63B 53/0487 473/341
D381,383	S *	7/1997	Brett	.....	D21/744
D447,203	S *	8/2001	Sanchez	.....	D21/759
D447,204	S *	8/2001	Solheim	.....	D21/759
D448,440	S *	9/2001	Solheim	.....	D21/759
D454,170	S *	3/2002	Petersen	.....	D21/759
D454,379	S *	3/2002	Solheim	.....	D21/759
D456,868	S *	5/2002	Solheim	.....	D21/759
D484,935	S *	1/2004	Tang	.....	D21/738
D564,606	S *	3/2008	Oldknow	.....	D21/736

D840,482	S *	2/2019	Serrano	.....	D21/736
D867,496	S *	11/2019	Cameron	.....	D21/736
D874,589	S *	2/2020	Parente	.....	D21/736
D906,453	S *	12/2020	Agrella	.....	D21/743
D906,456	S *	12/2020	Cyrulik	.....	D21/759
D906,458	S *	12/2020	Agrella	.....	D21/759
D907,146	S *	1/2021	Cyrulik	.....	D21/736
D907,147	S *	1/2021	Agrella	.....	D21/743
D907,149	S *	1/2021	Agrella	.....	D21/759
D929,515	S *	8/2021	Wang	.....	D21/743
D934,969	S *	11/2021	Toulon	.....	D21/736
D958,914	S *	7/2022	Rollinson	.....	D21/744
D963,086	S *	9/2022	Parsons	.....	D21/736
D963,087	S *	9/2022	Nicolette	.....	D21/736
D963,088	S *	9/2022	Nicolette	.....	D21/736
2021/0001190	A1 *	1/2021	Lambeth	.....	A63B 53/04

**OTHER PUBLICATIONS**

Golf putters google search; google.com; Oct. 15, 2022.\*

\* cited by examiner

*Primary Examiner* — Mitchell I. Siegel

(74) *Attorney, Agent, or Firm* — Oliff PLC

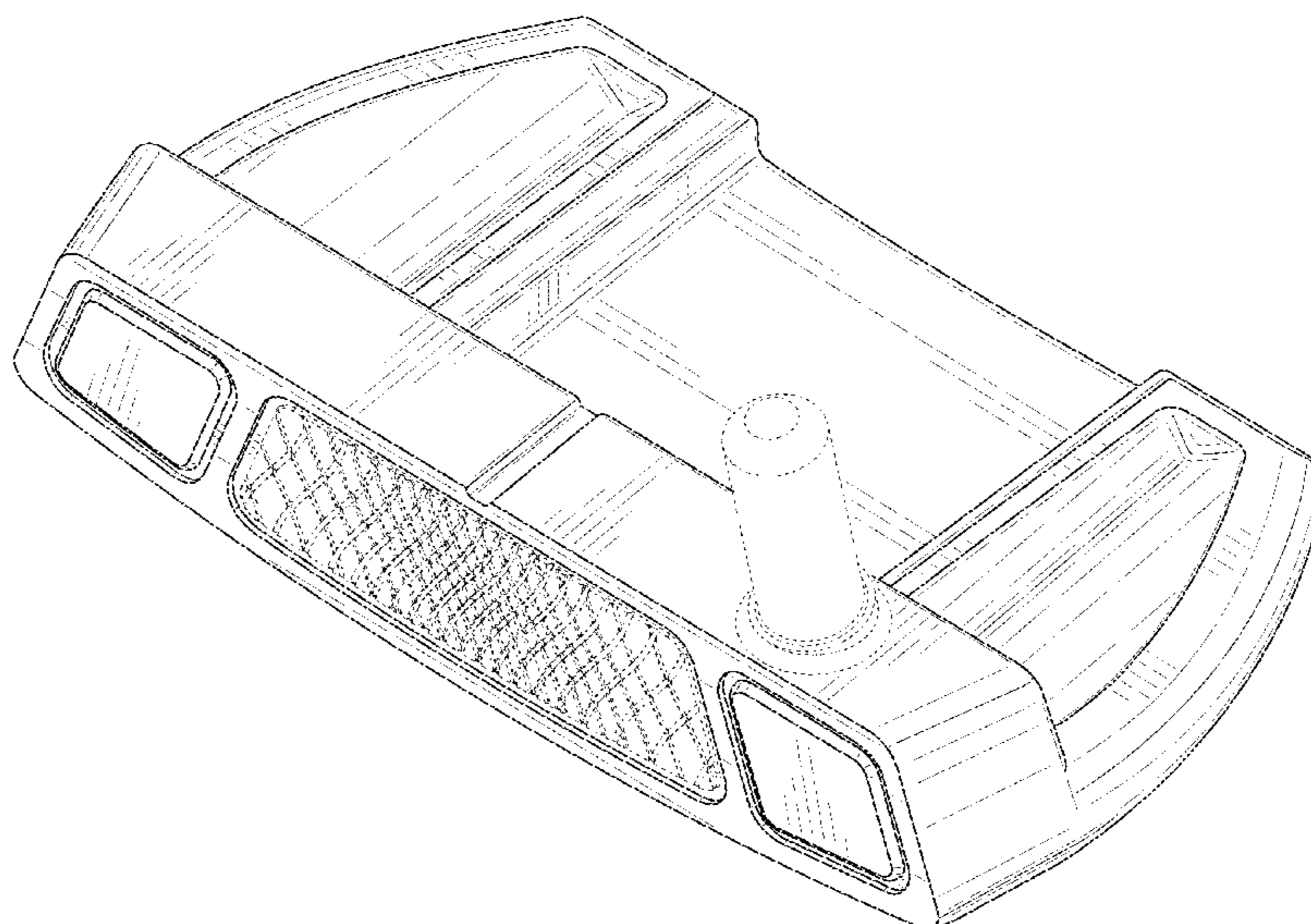
(57) **CLAIM**

The ornamental design for a golf club head, as shown and described.

**DESCRIPTION**

FIG. 1 is a front, heel-side, top perspective view of a golf club head, showing the new design;  
FIG. 2 is a front elevational view thereof;  
FIG. 3 is a rear elevational view thereof;  
FIG. 4 is a toe-side elevational view thereof;  
FIG. 5 is a heel-side elevational view thereof;  
FIG. 6 is a top plan view thereof;  
FIG. 7 is a bottom plan view thereof; and,  
FIG. 8 is a rear, heel-side, top perspective view thereof.  
The broken lines depict parts of the golf club head that form no part of the claimed design.

**1 Claim, 8 Drawing Sheets**



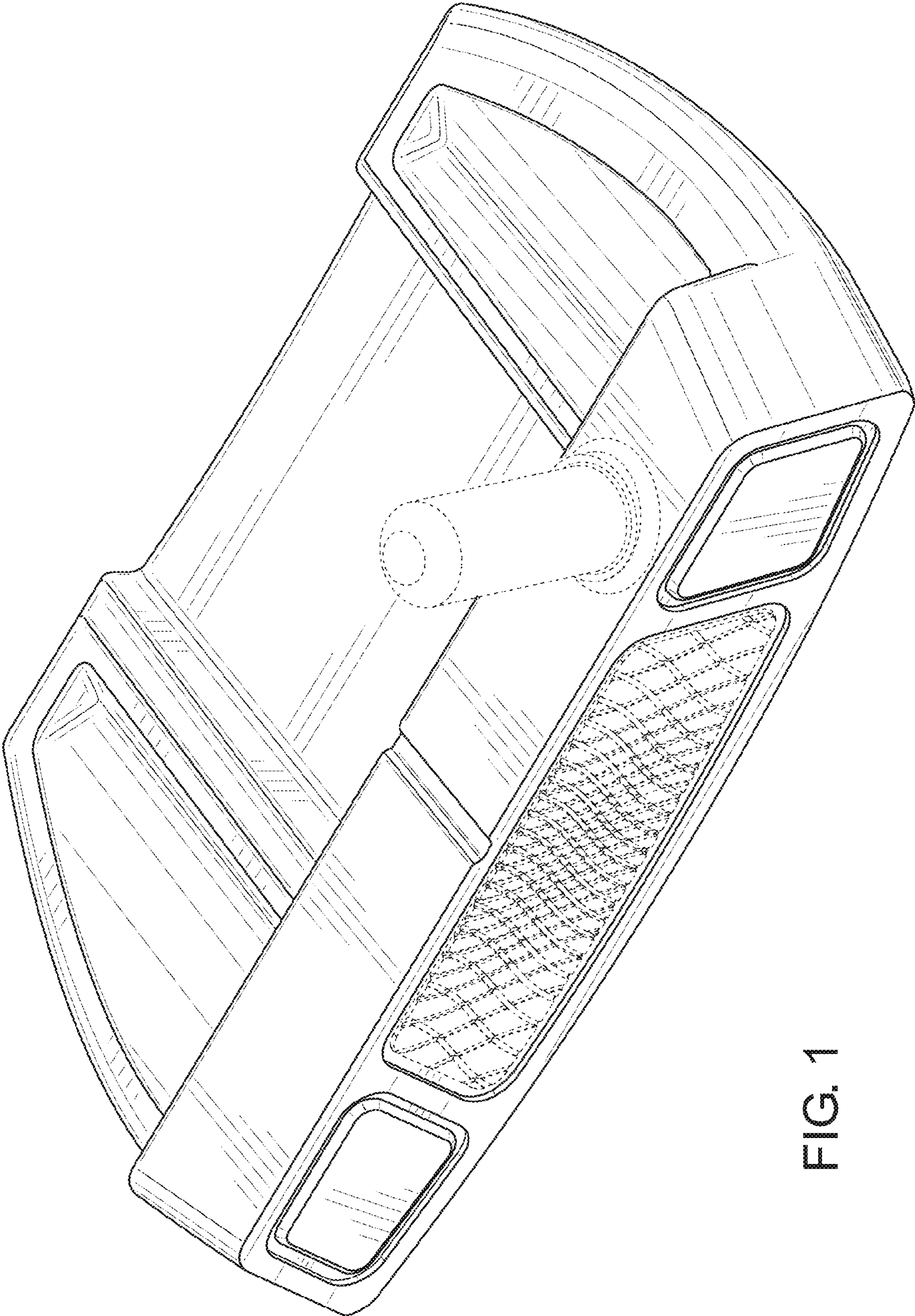


FIG. 1

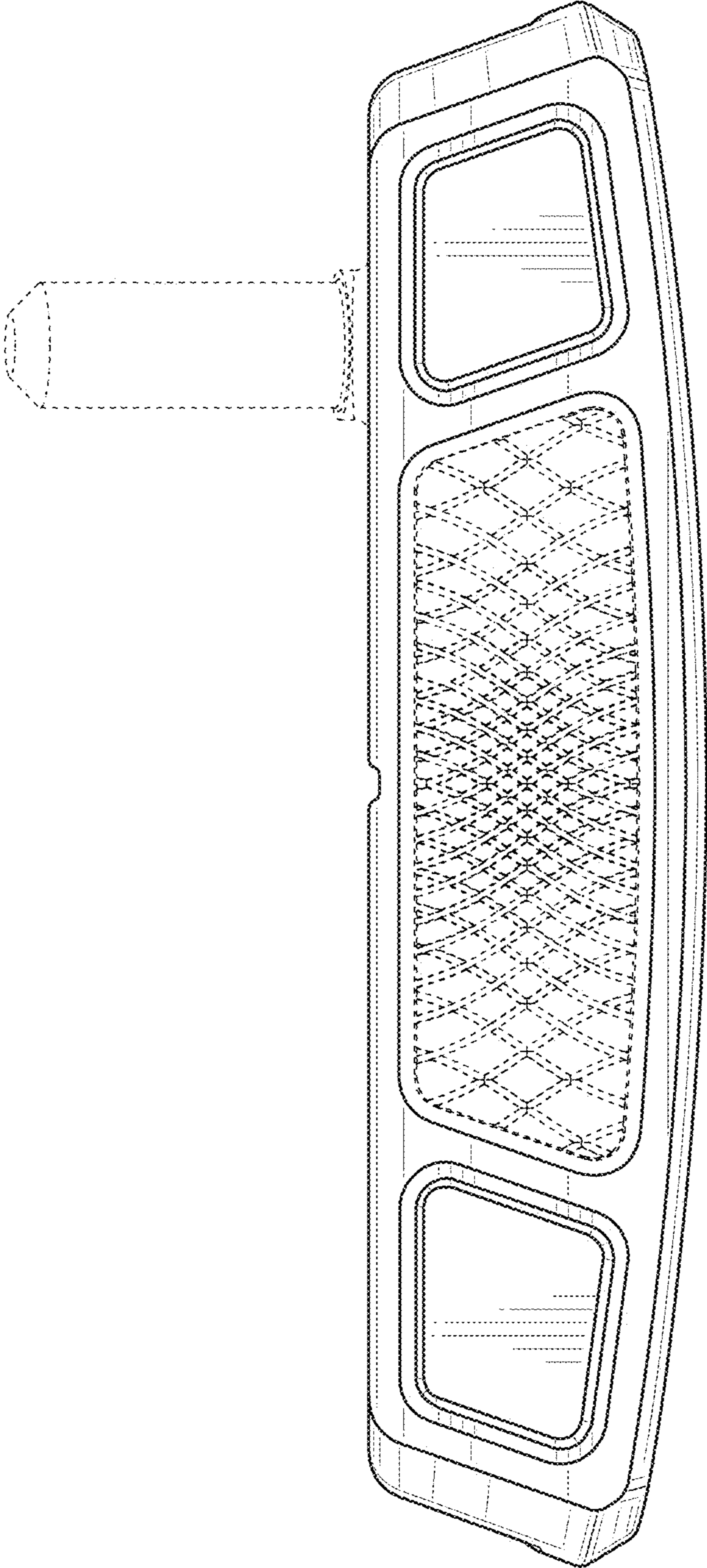


FIG. 2

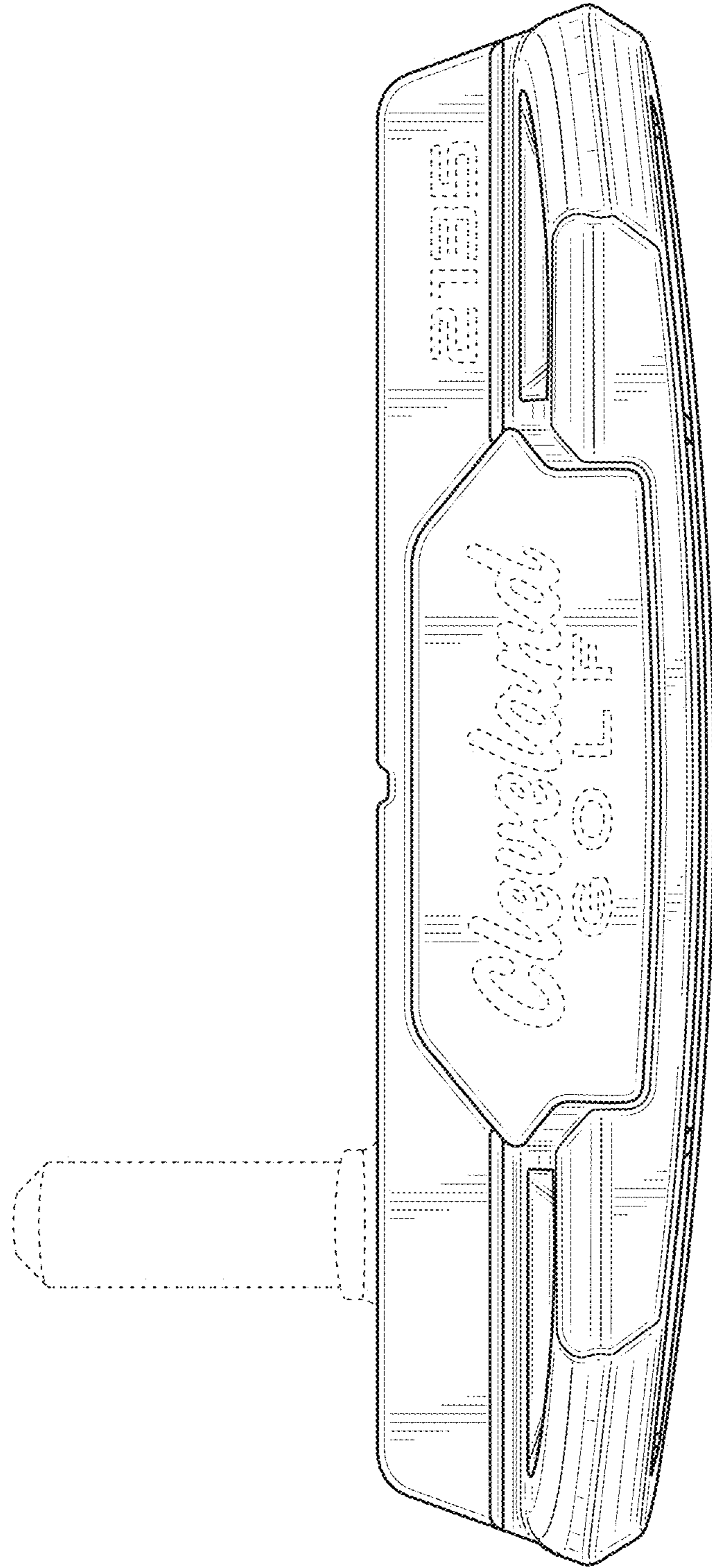


FIG. 3

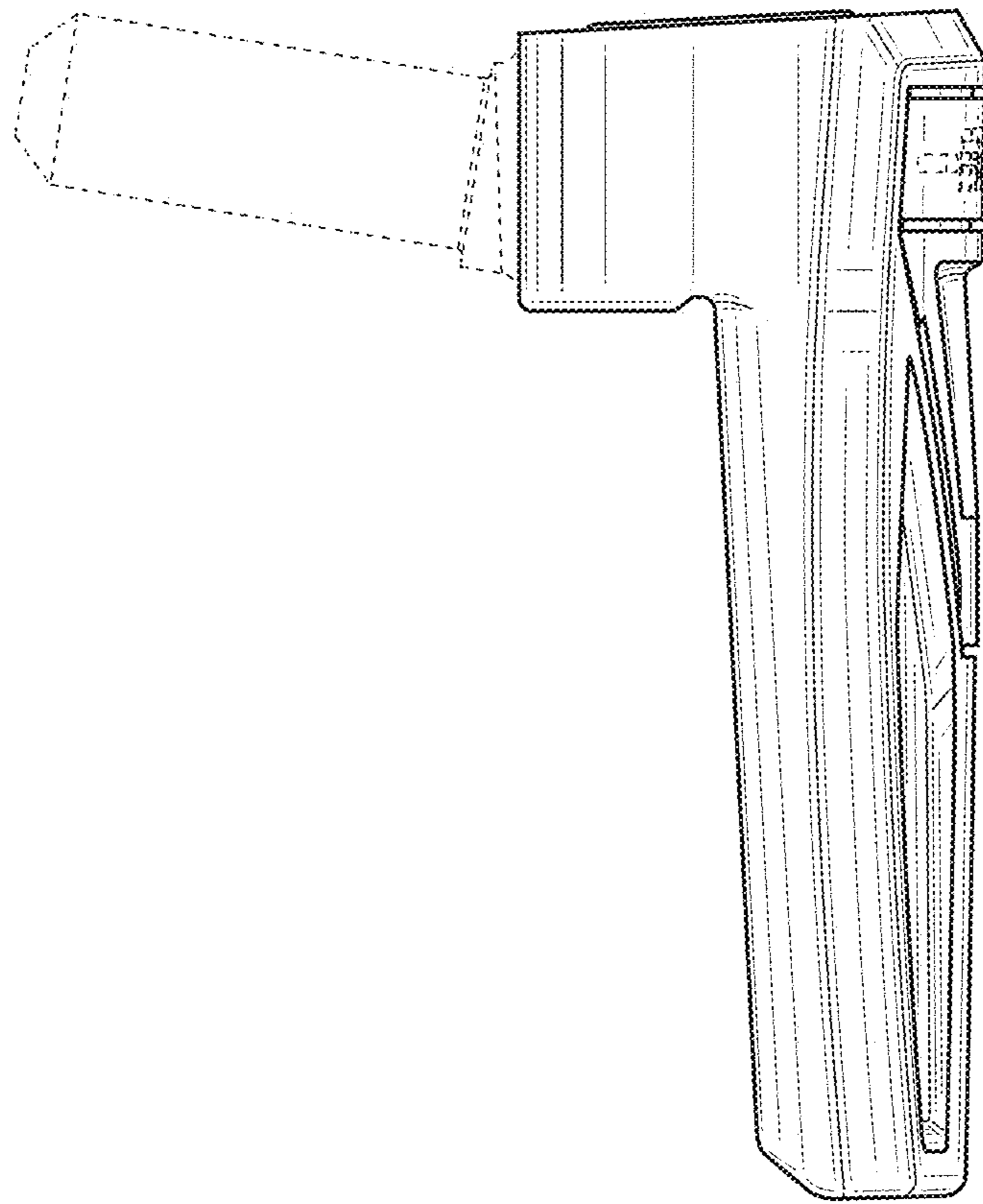


FIG. 4

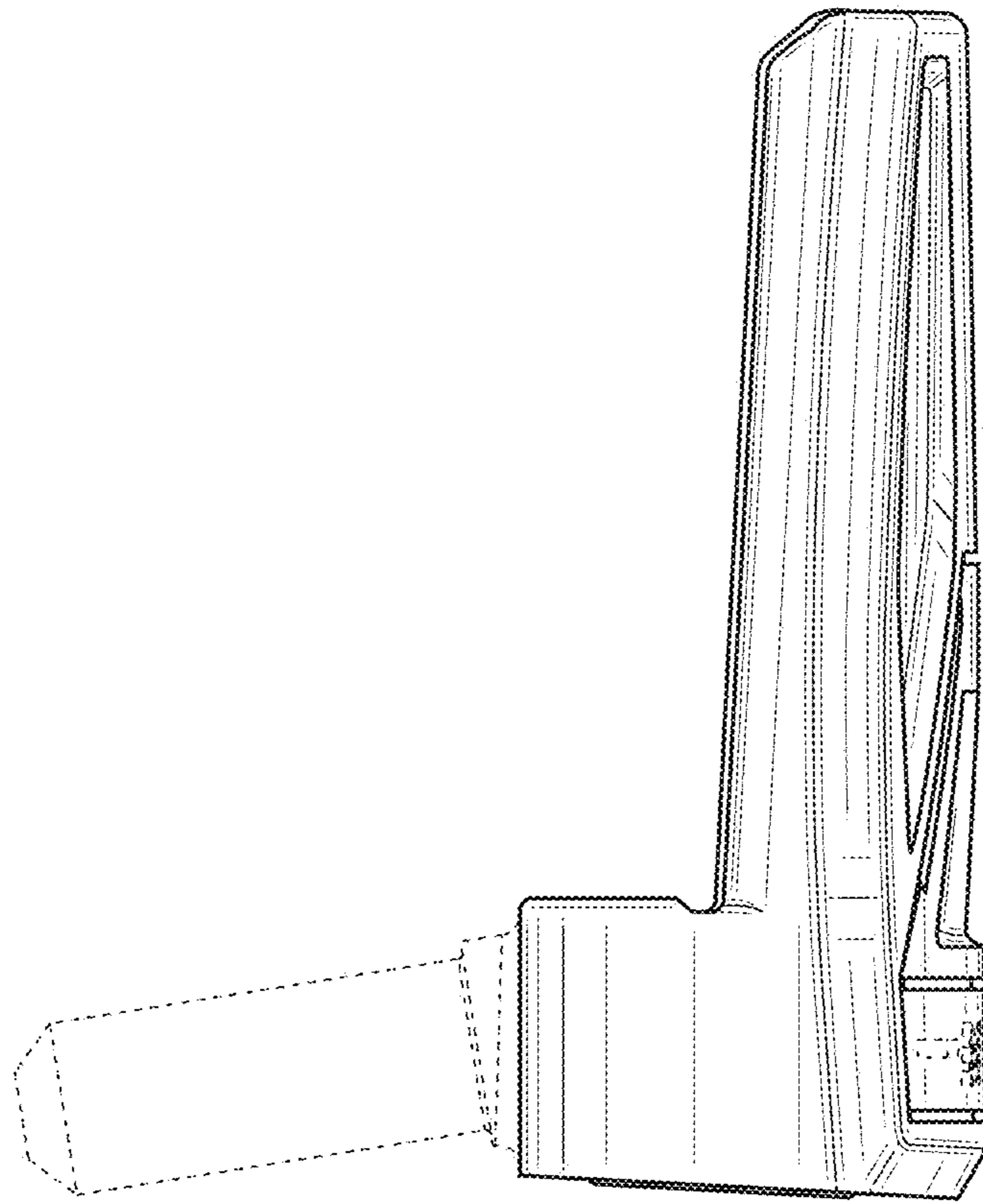


FIG. 5

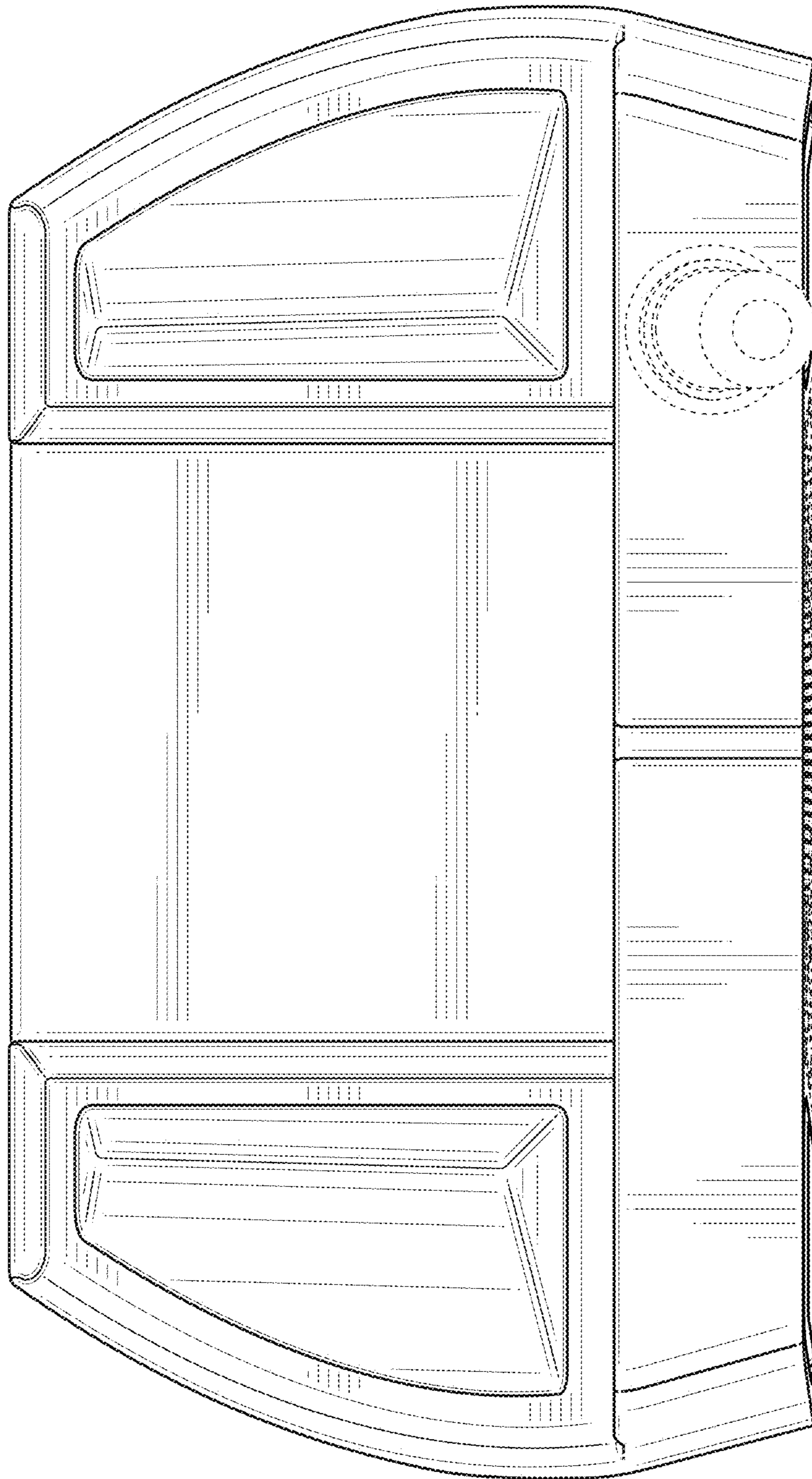


FIG. 6

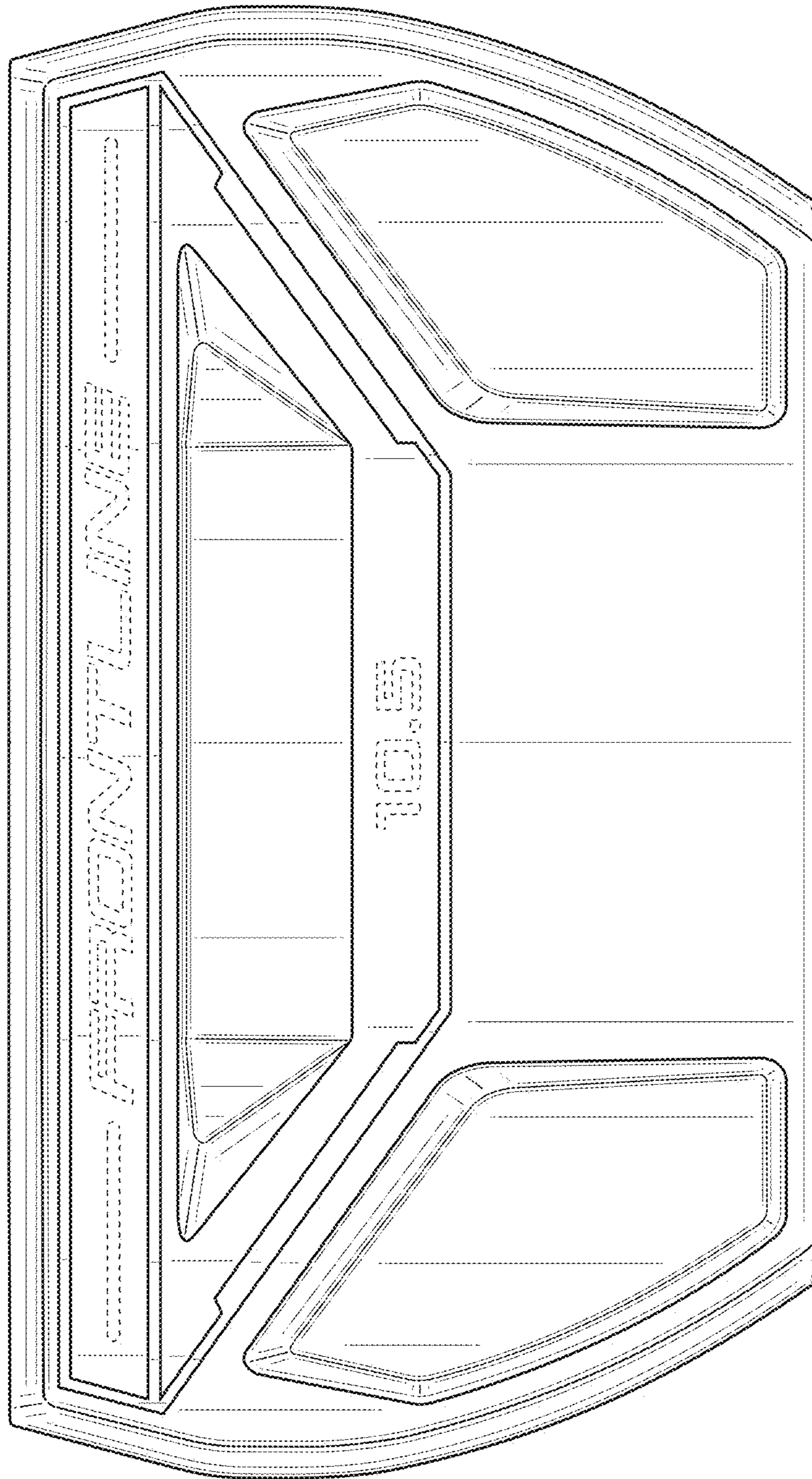


FIG. 7



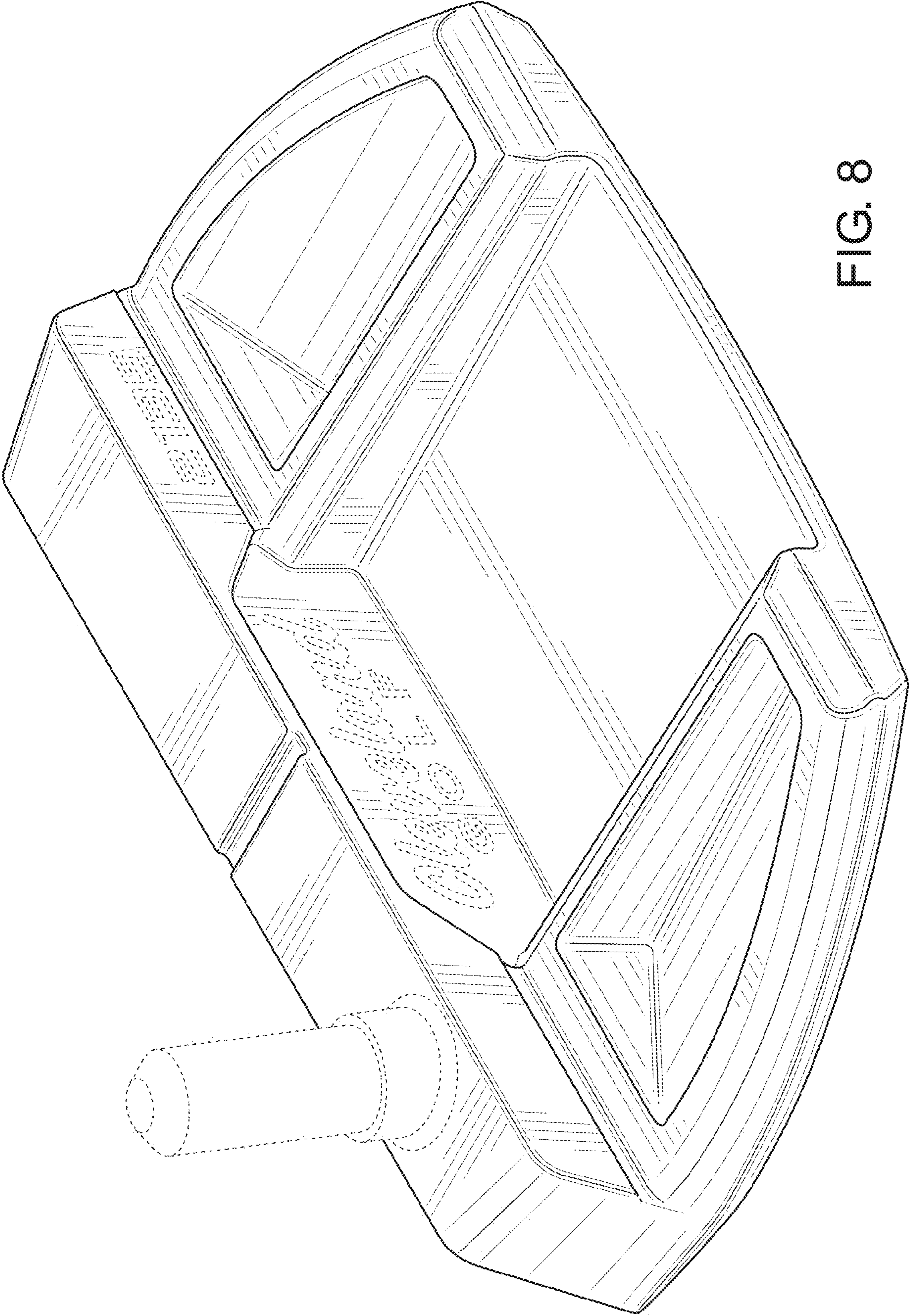


FIG. 8