



US00D973802S

(12) **United States Design Patent**
Clarke et al.

(10) **Patent No.:** **US D973,802 S**

(45) **Date of Patent:** **** Dec. 27, 2022**

(54) **GOLF CLUB HEAD**

(71) Applicant: **KARSTEN MANUFACTURING CORPORATION**, Phoenix, AZ (US)

(72) Inventors: **Jacob T. Clarke**, Apex, NC (US);
Murphy R. Alexander, Scottsdale, AZ (US);
Anthony D. Serrano, Phoenix, AZ (US)

(73) Assignee: **KARSTEN MANUFACTURING CORPORATION**, Phoenix, AZ (US)

(**) Term: **15 Years**

(21) Appl. No.: **29/767,548**

(22) Filed: **Jan. 22, 2021**

(51) **LOC (13) Cl.** **21-02**

(52) **U.S. Cl.**
USPC **D21/743**

(58) **Field of Classification Search**
USPC D21/736–746, 759
CPC A63B 53/00; A63B 53/04; A63B 53/007;
A63B 53/065; A63B 53/0487; A63B
60/00; A63B 60/46
See application file for complete search history.

(56) **References Cited**

U.S. PATENT DOCUMENTS

4,741,535 A	5/1988	Leonhardt
D323,867 S	2/1992	Rizzotto
D350,177 S	8/1994	Ramirez et al.
D359,330 S	6/1995	Channell
D381,382 S	7/1997	Fenton
5,997,409 A	12/1999	Mattson
D421,471 S	3/2000	Moldovan
D436,638 S	1/2001	Carrier
6,634,956 B1	10/2003	Pegg
D517,143 S	3/2006	Petsel
D532,844 S	11/2006	Rollinson
D532,845 S	11/2006	Rollinson

D564,607 S	3/2008	Oldknow
D568,954 S	5/2008	Oldknow
D573,673 S	7/2008	Noyes
D574,908 S	8/2008	Hettinger et al.
D582,497 S	12/2008	Rollinson
D589,575 S	3/2009	Kim et al.
D590,461 S	4/2009	Kim et al.
D591,807 S	5/2009	Rollinson
D594,917 S	6/2009	Stellander

(Continued)

FOREIGN PATENT DOCUMENTS

JP	1708331	2/2022
JP	1708450	2/2022

OTHER PUBLICATIONS

<https://www.2ndswing.com/nike/golf-putters/everclear-e33/#used> ,
Nike Everclear E33 Putter, Jun. 13, 2017.

(Continued)

Primary Examiner — Mitchell I. Siegel

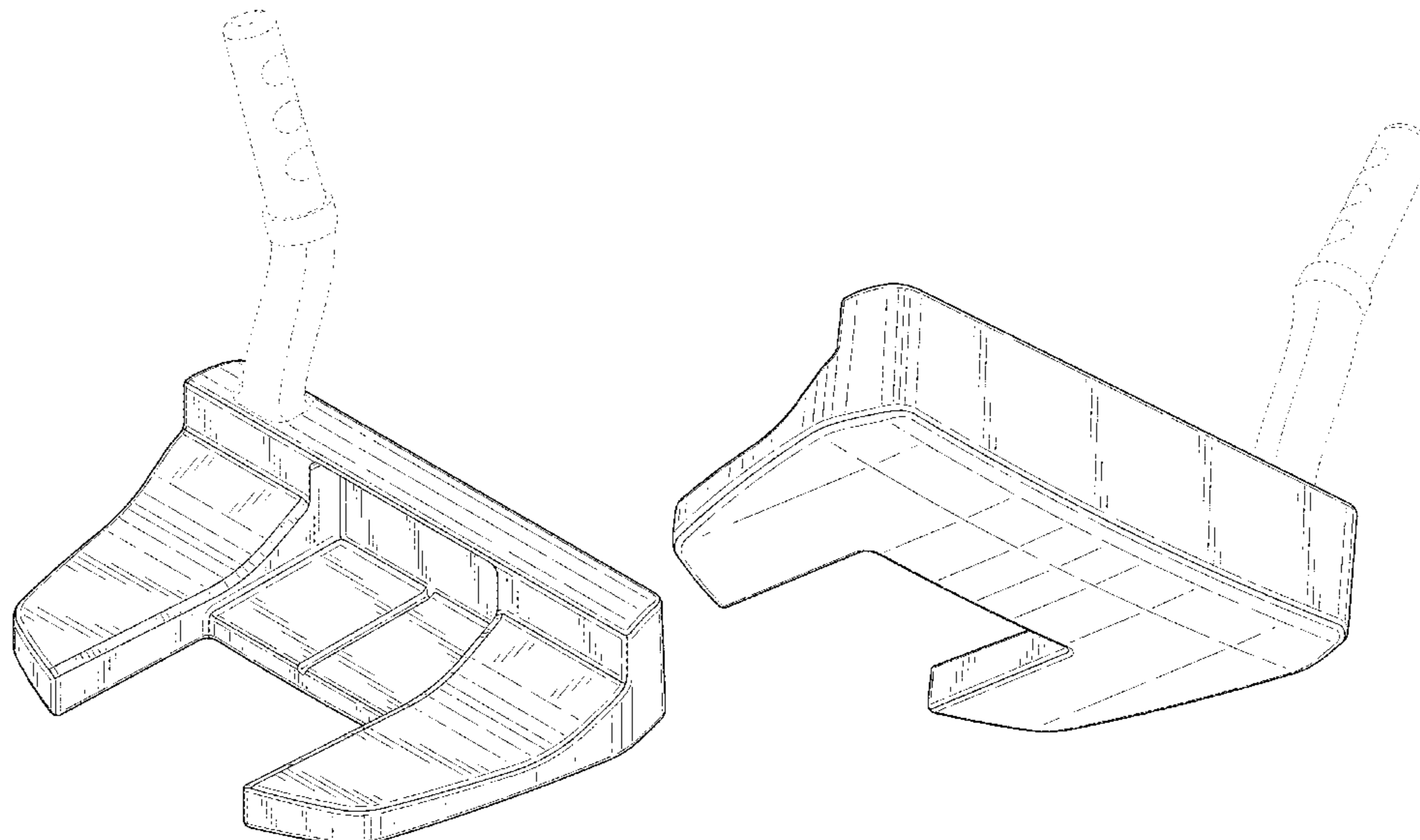
(57) **CLAIM**

The ornamental design for a golf club head, as shown and described.

DESCRIPTION

FIG. 1 is a top perspective view of a golf club head;
FIG. 2 is a bottom perspective view of the golf club head of FIG. 1;
FIG. 3 is a top view of the golf club head of FIG. 1;
FIG. 4 is a bottom view of the golf club head of FIG. 1;
FIG. 5 is a front view of the golf club head of FIG. 1;
FIG. 6 is a rear view of the golf club head of FIG. 1;
FIG. 7 is a heel side view of the golf club head of FIG. 1;
and,
FIG. 8 is a toe side view of the golf club head of FIG. 1.
The broken lines shown form no part of the claimed design.

1 Claim, 7 Drawing Sheets



(56)

References Cited

U.S. PATENT DOCUMENTS

D595,373 S 6/2009 Kim et al.
 D604,787 S 11/2009 Hopkins
 D621,458 S 8/2010 Serrano et al.
 D670,774 S 11/2012 Seiff
 D688,341 S 8/2013 Rollinson
 D691,226 S * 10/2013 Hilton D21/746
 D701,274 S 3/2014 Rollinson
 D720,821 S 1/2015 Brandt
 D728,715 S 5/2015 Cameron
 D730,464 S 5/2015 Cameron
 D731,605 S 6/2015 Rollinson
 D768,248 S 10/2016 Rollinson
 D771,208 S 11/2016 Bettinardi
 D773,573 S 12/2016 Abbott et al.
 D776,771 S 1/2017 Peterson
 D777,270 S 1/2017 Rollinson
 D799,617 S 10/2017 Becktor et al.
 D801,459 S 10/2017 Rollinson et al.
 D807,453 S * 1/2018 Serrano D21/743
 D815,222 S * 4/2018 Serrano D21/743

D832,381 S * 10/2018 Serrano D21/743
 D844,722 S * 4/2019 Wang D21/736
 D867,495 S * 11/2019 Cameron D21/736
 D882,006 S 4/2020 Serrano
 D892,954 S * 8/2020 Clarke D21/736
 D893,645 S * 8/2020 Serrano D21/743
 D921,140 S * 6/2021 Serrano D21/736
 D930,095 S * 9/2021 Wang D21/743
 D936,770 S * 11/2021 Cameron D21/744
 D941,411 S * 1/2022 Wang D21/743

OTHER PUBLICATIONS

<https://www.scottycameron.com/archives/putters/2016/futura-x/futura-x5/> , FuturaXS , Jun. 13, 2017.
<http://www.clevelandgolf.com/en/clubs-/tfi-2135-elevado-putter/MTFI2135ELEV.html> , TFI 2135 Elevado Putter , Jun. 13, 2017.
<http://rifegolf.com/store#!~/product/category=8856002&id=34731881> , Rife General Left-hand Putter , Jun. 13, 2017.
 TitleistR 2015, p. 41, Acushnet Japan, Inc. Feb. 2015.

* cited by examiner

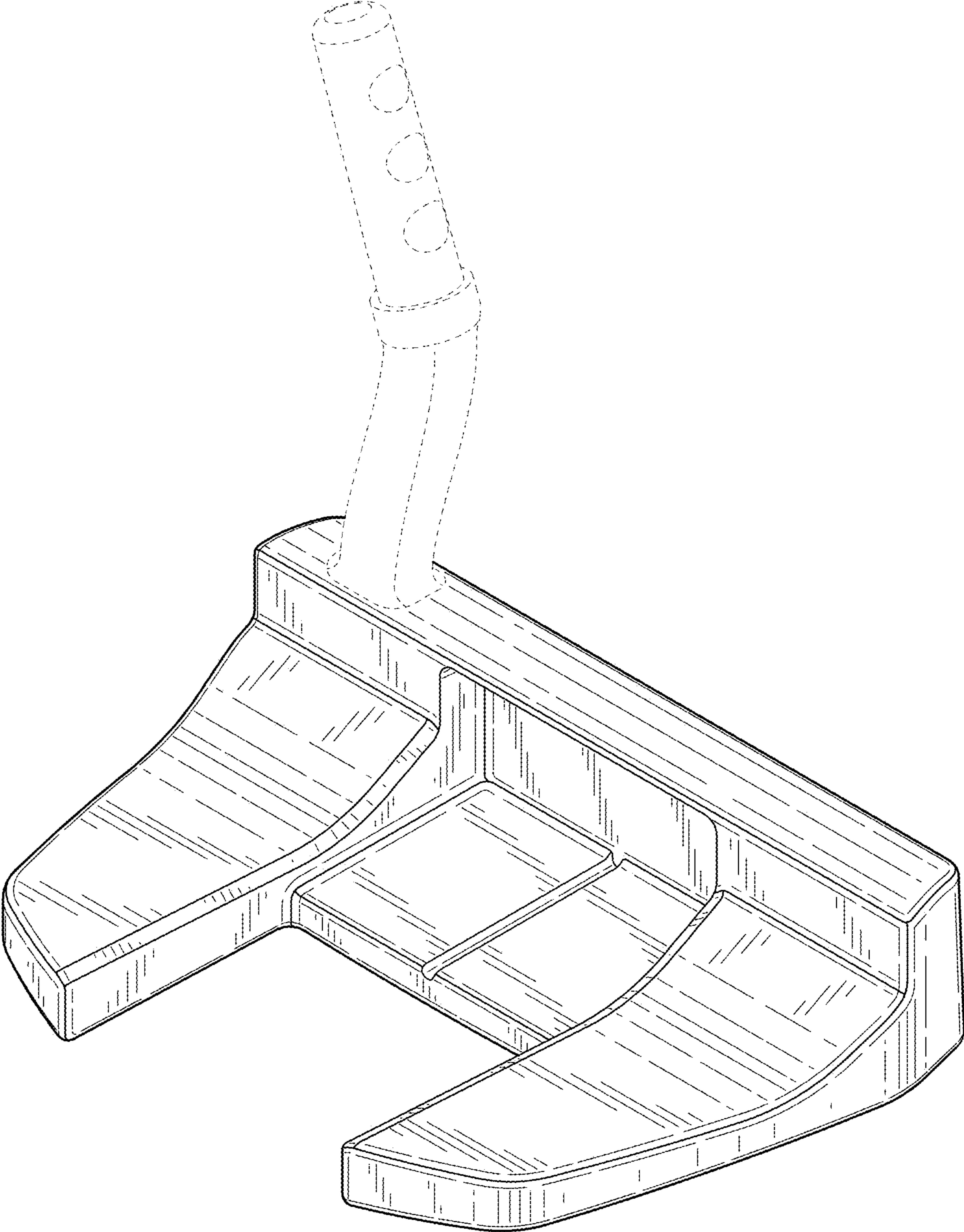


FIG. 1

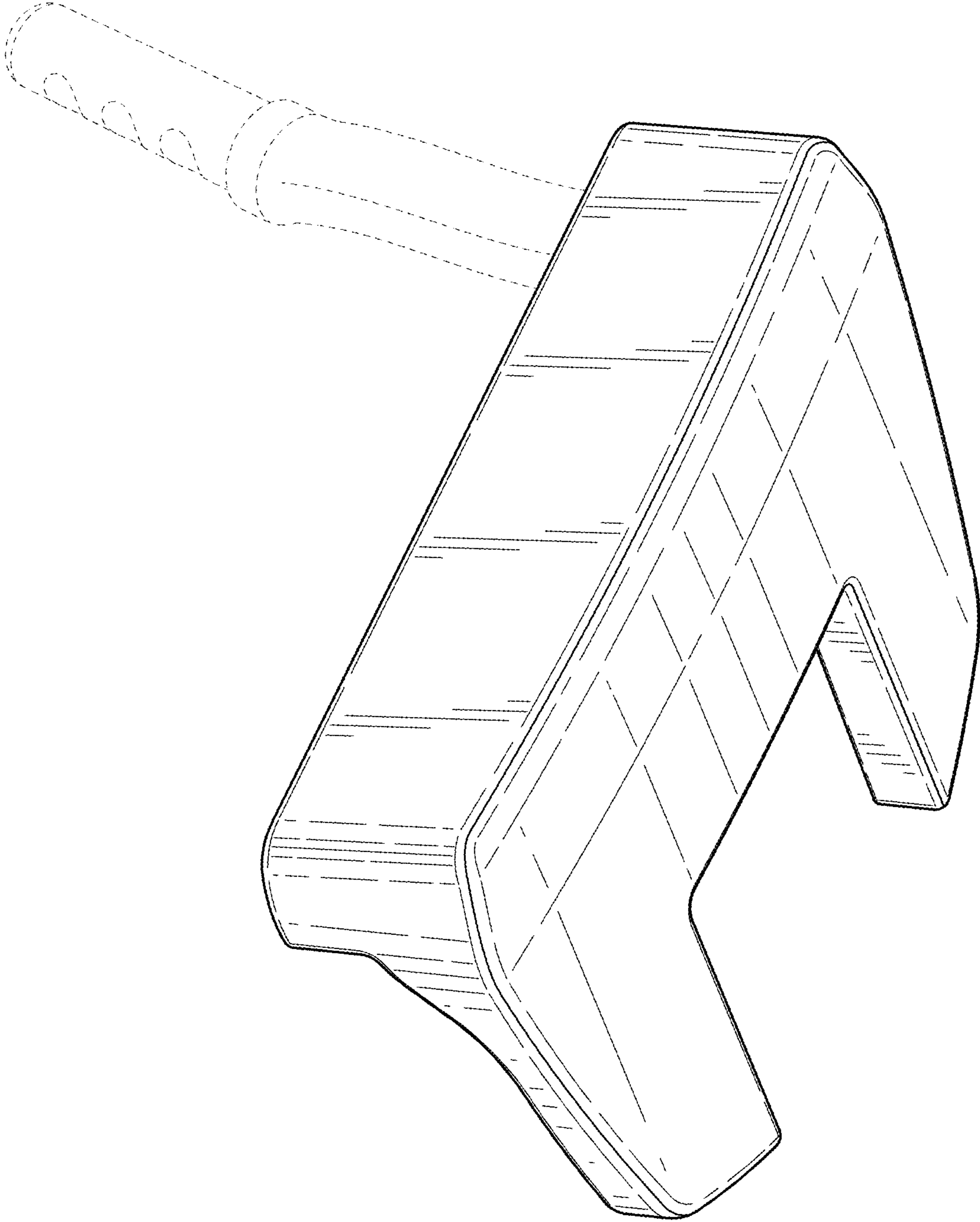


FIG. 2

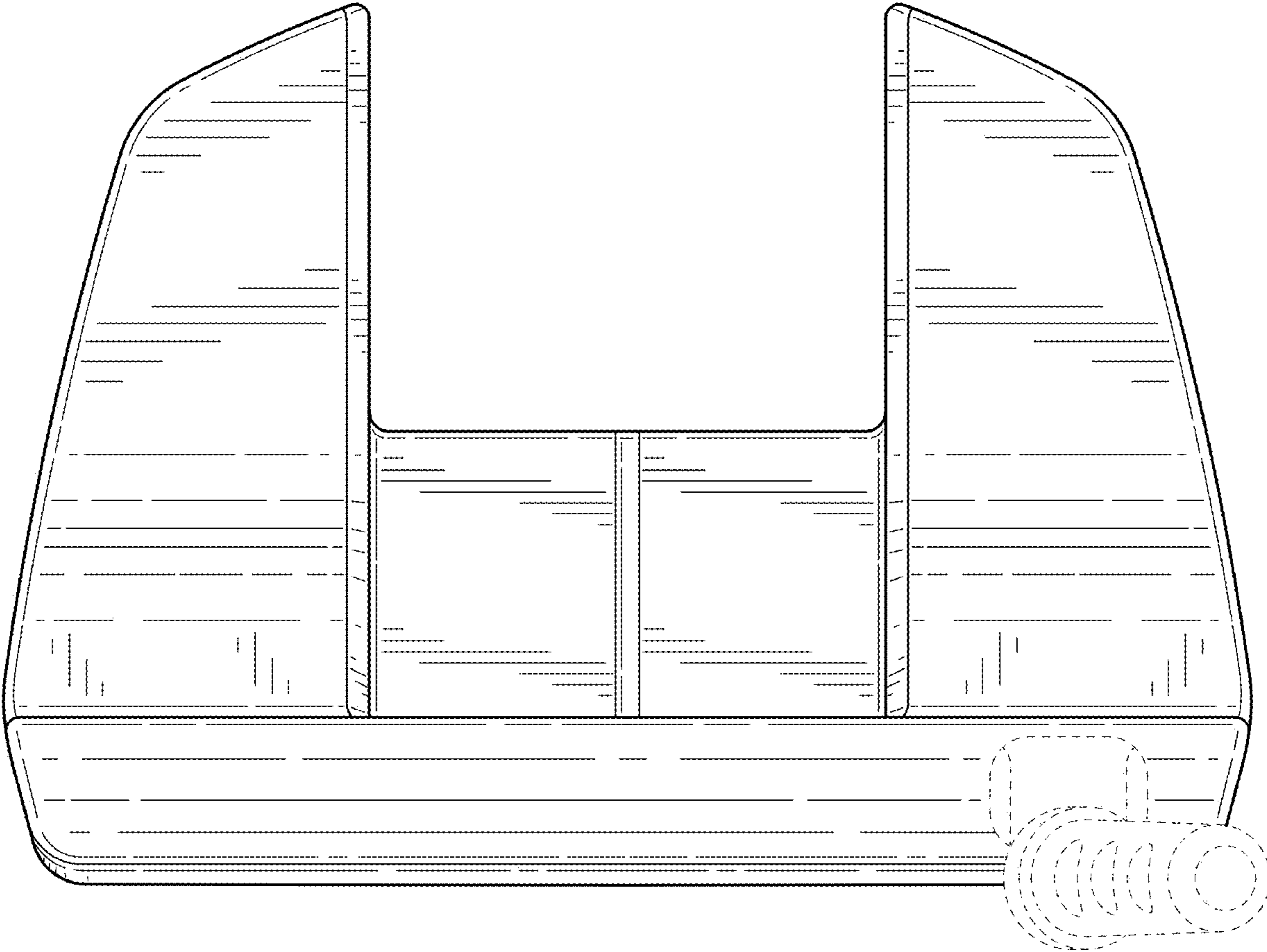


FIG. 3

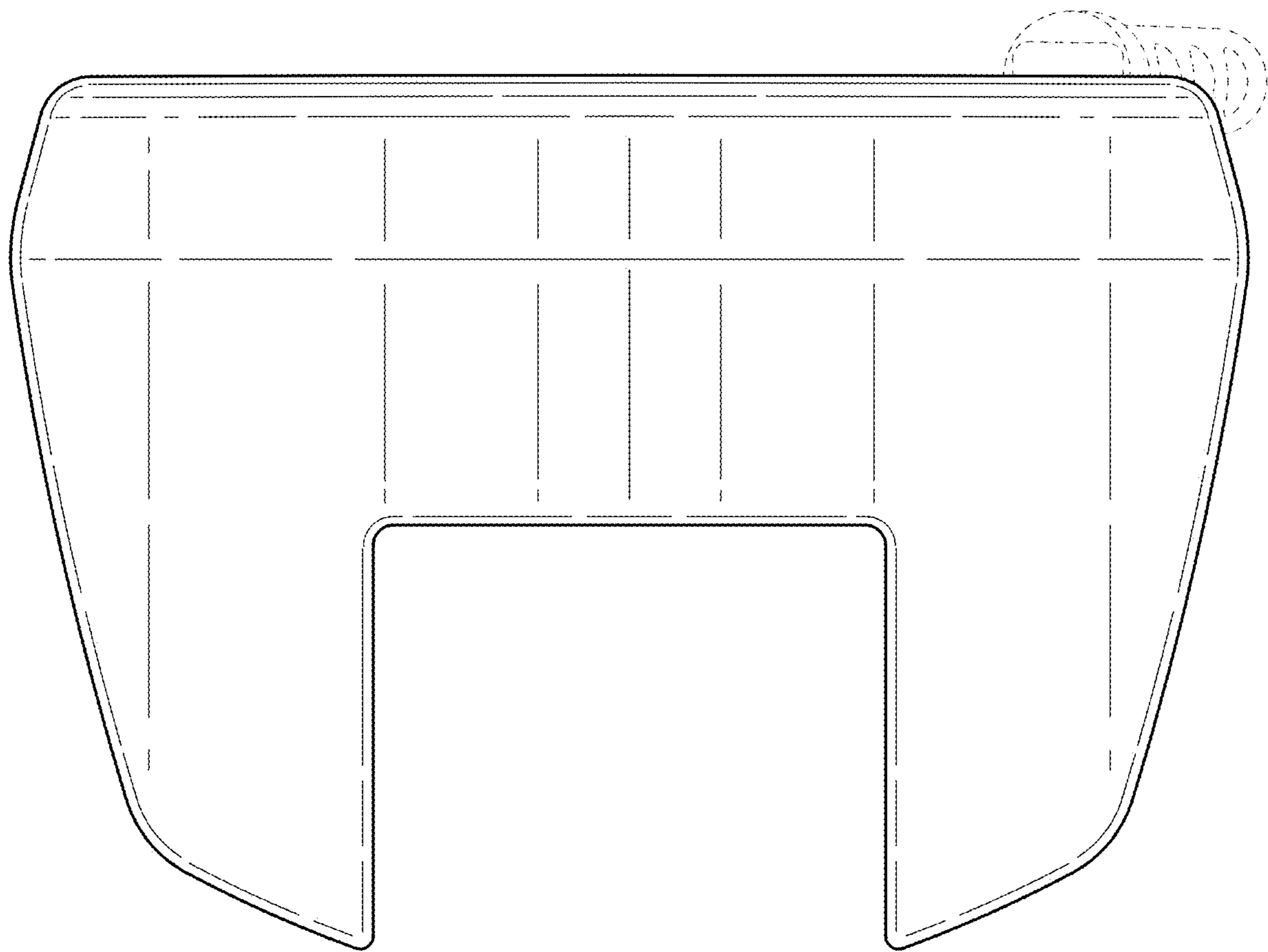


FIG. 4

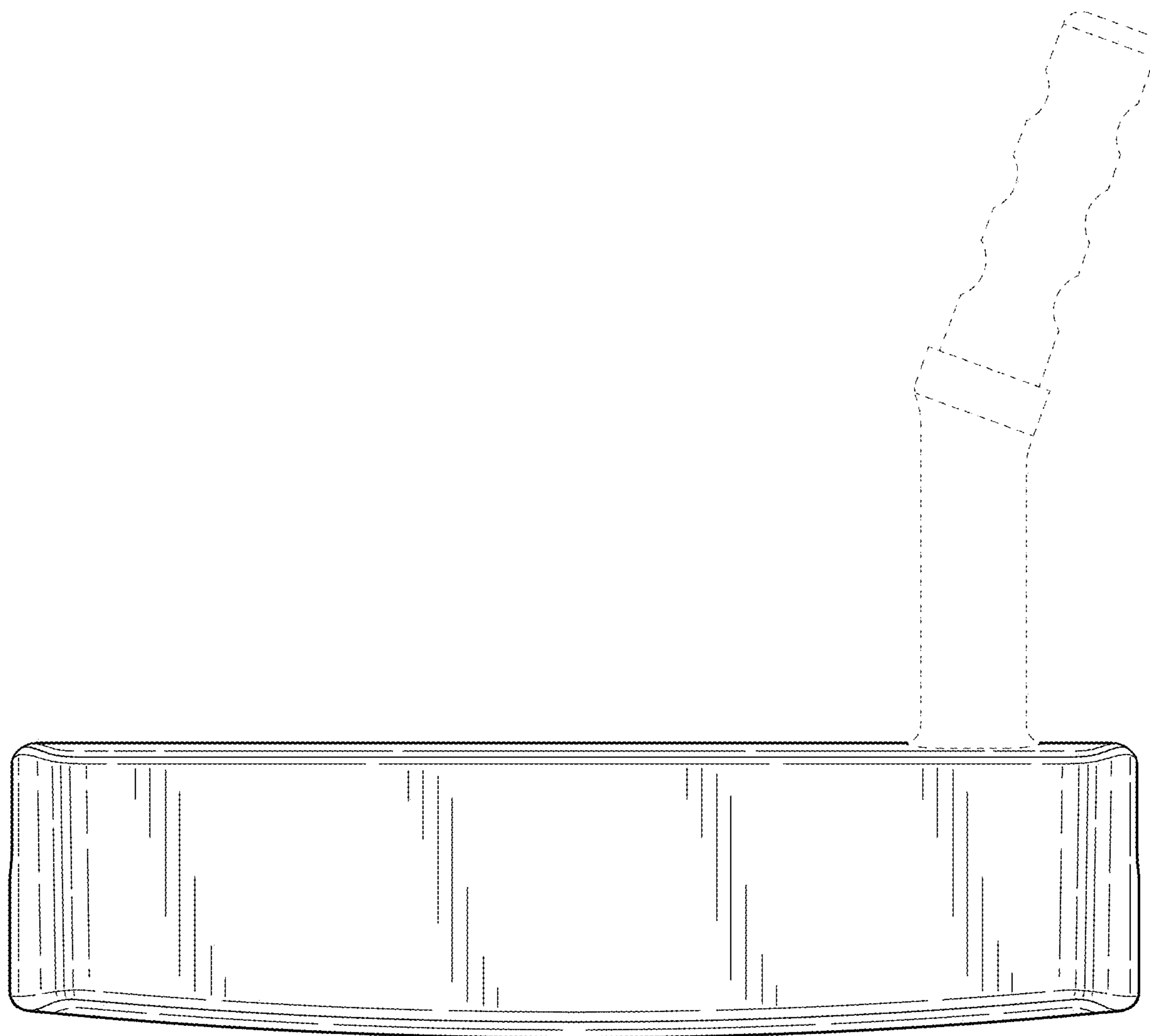


FIG. 5

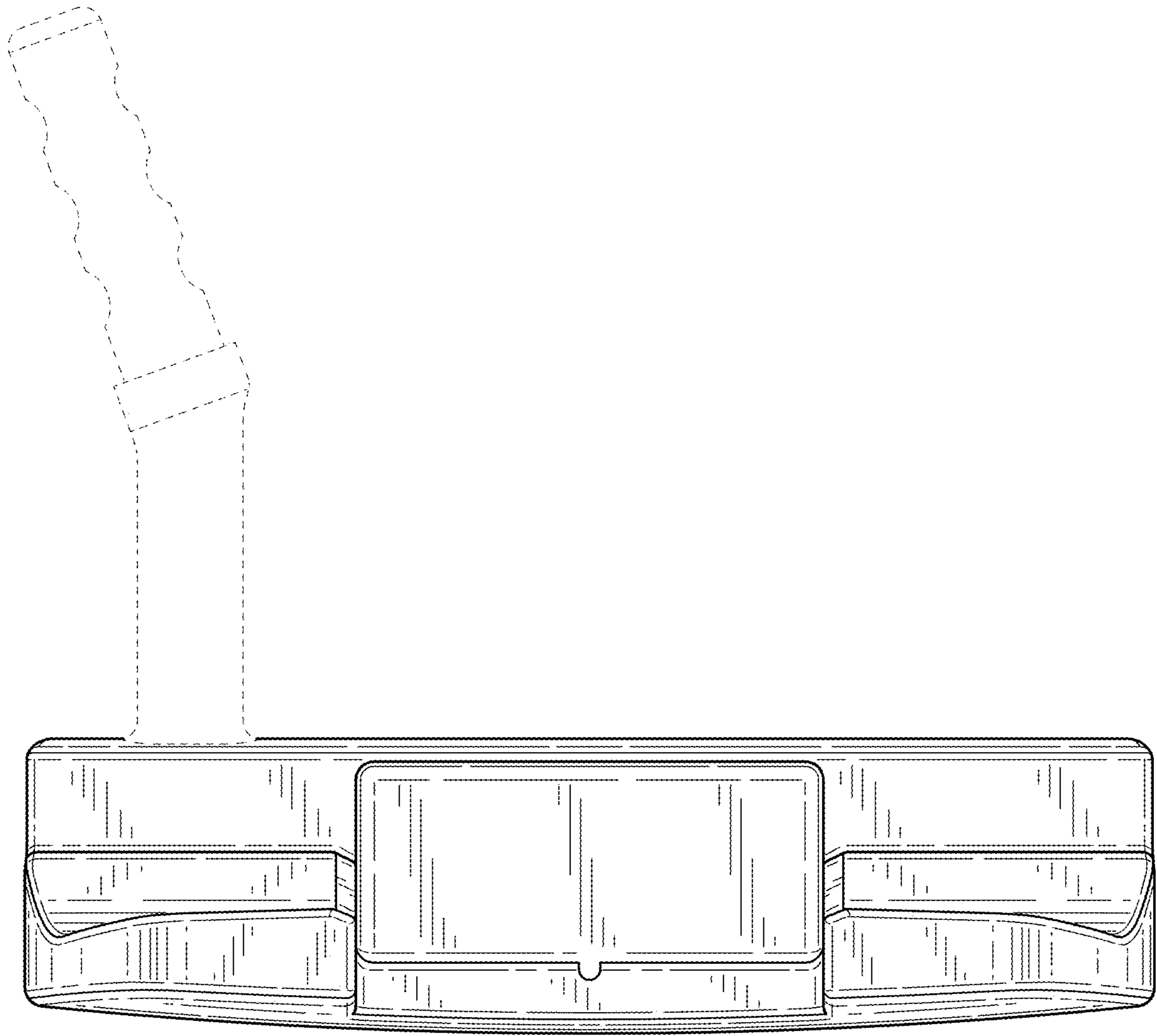


FIG. 6

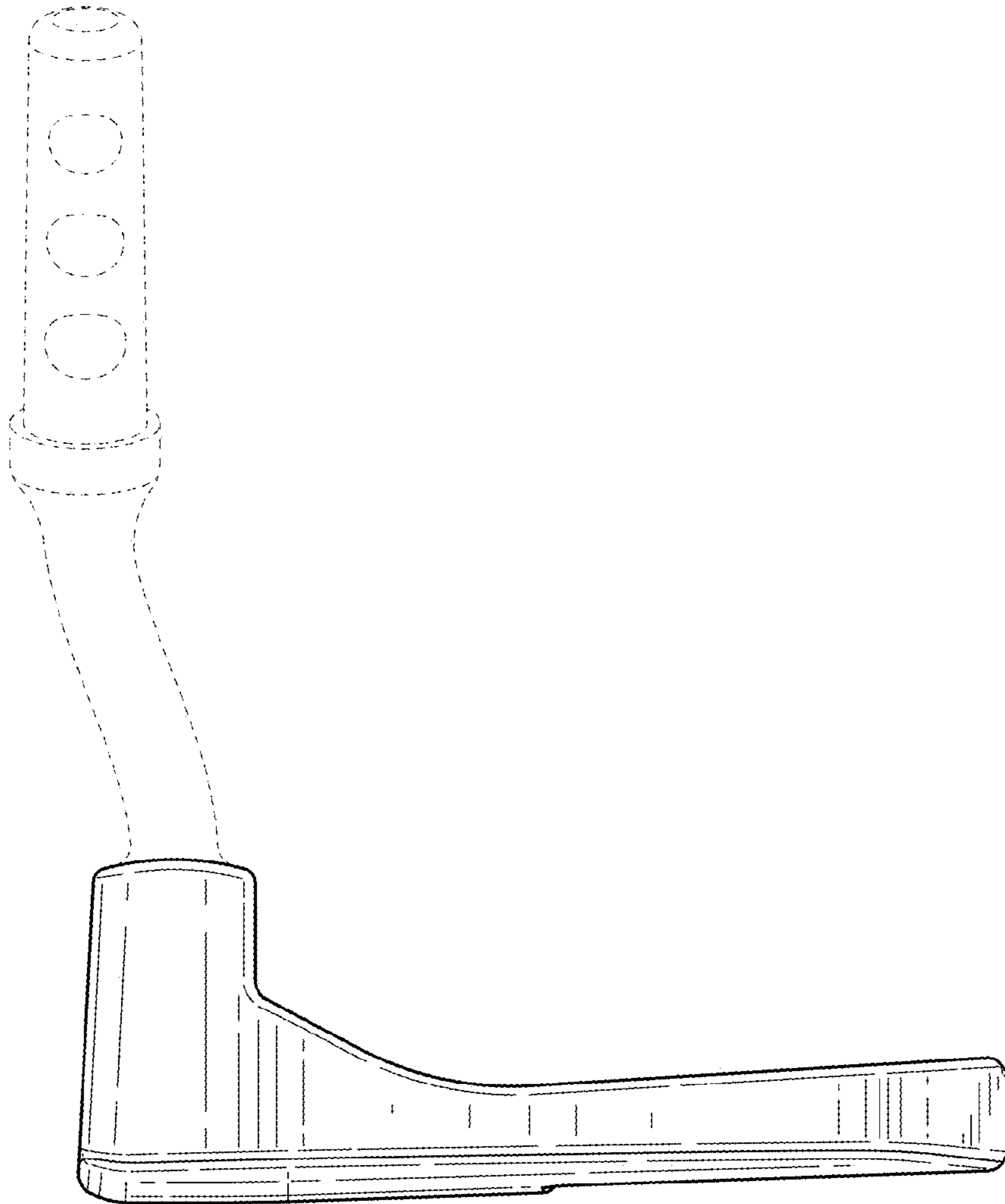


FIG. 7

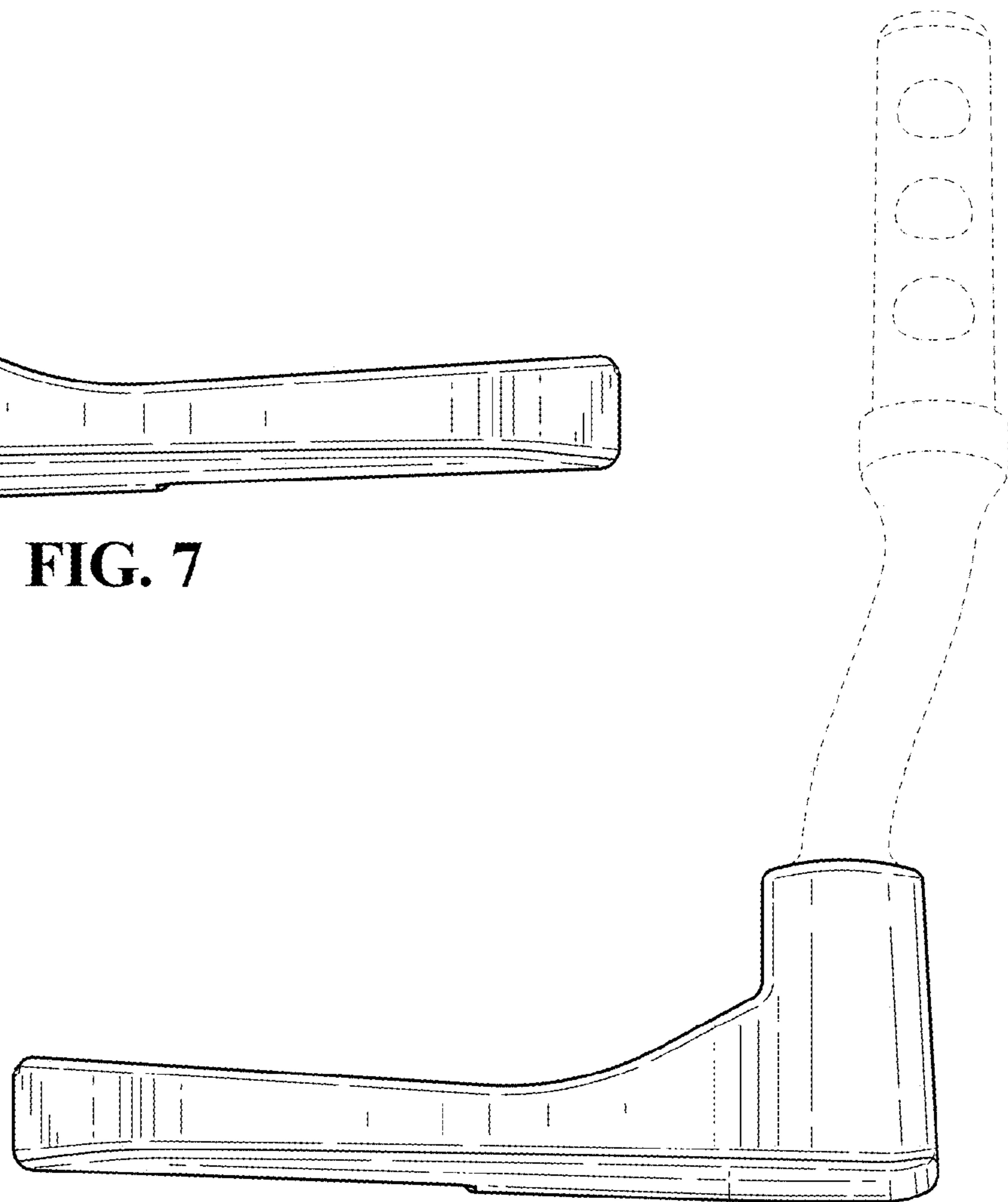


FIG. 8