



US00D973800S

(12) **United States Design Patent**
Wang et al.

(10) **Patent No.:** **US D973,800 S**

(45) **Date of Patent:** **** *Dec. 27, 2022**

(54) **GOLF CLUB HEAD**

(71) Applicant: **KARSTEN MANUFACTURING CORPORATION**, Phoenix, AZ (US)

(72) Inventors: **Calvin S. Wang**, Chandler, AZ (US);
David A. Higdon, Cave Creek, AZ (US); **Anthony D. Serrano**, Phoenix, AZ (US)

(73) Assignee: **Karsten Manufacturing Corporation**, Phoenix, AZ (US)

(*) Notice: This patent is subject to a terminal disclaimer.

(**) Term: **15 Years**

(21) Appl. No.: **29/754,121**

(22) Filed: **Oct. 6, 2020**

(51) **LOC (13) Cl.** **21-02**

(52) **U.S. Cl.**
USPC **D21/743**

(58) **Field of Classification Search**
USPC D21/736-746, 752
CPC A63B 53/00; A63B 53/04; A63B 53/007;
A63B 53/065; A63B 53/0487; A63B 60/00; A63B 60/46
See application file for complete search history.

(56) **References Cited**

U.S. PATENT DOCUMENTS

D196,734 S	10/1963	Solheim
D202,715 S	11/1965	Solheim
D203,512 S	1/1966	Solheim
D207,227 S	3/1967	Solheim
D207,228 S	3/1967	Solheim
D209,761 S	1/1968	Solheim
D213,509 S	3/1969	Solheim
D218,178 S	7/1970	Solheim

D231,375 S	4/1974	Solheim
D235,668 S	7/1975	Swash
D239,778 S	5/1976	Solheim
3,954,265 A	5/1976	Taylor
D255,373 S	6/1980	Solheim
D263,614 S	3/1982	Solheim
4,527,799 A	7/1985	Solheim
D283,039 S	3/1986	Solheim
4,834,387 A	5/1989	Waites et al.
D315,005 S	2/1991	Solheim
D324,555 S	3/1992	Evans
D333,331 S	2/1993	Evans
5,211,401 A	5/1993	Hainey
5,226,654 A	7/1993	Solheim
D341,405 S	11/1993	Solheim
D342,112 S	12/1993	Diesterheft
5,324,031 A	6/1994	Green
D356,615 S	3/1995	Solheim
D356,844 S	3/1995	Solheim et al.
D356,846 S	3/1995	Murrill
D357,291 S	4/1995	Solheim

(Continued)

Primary Examiner — Mitchell I. Siegel

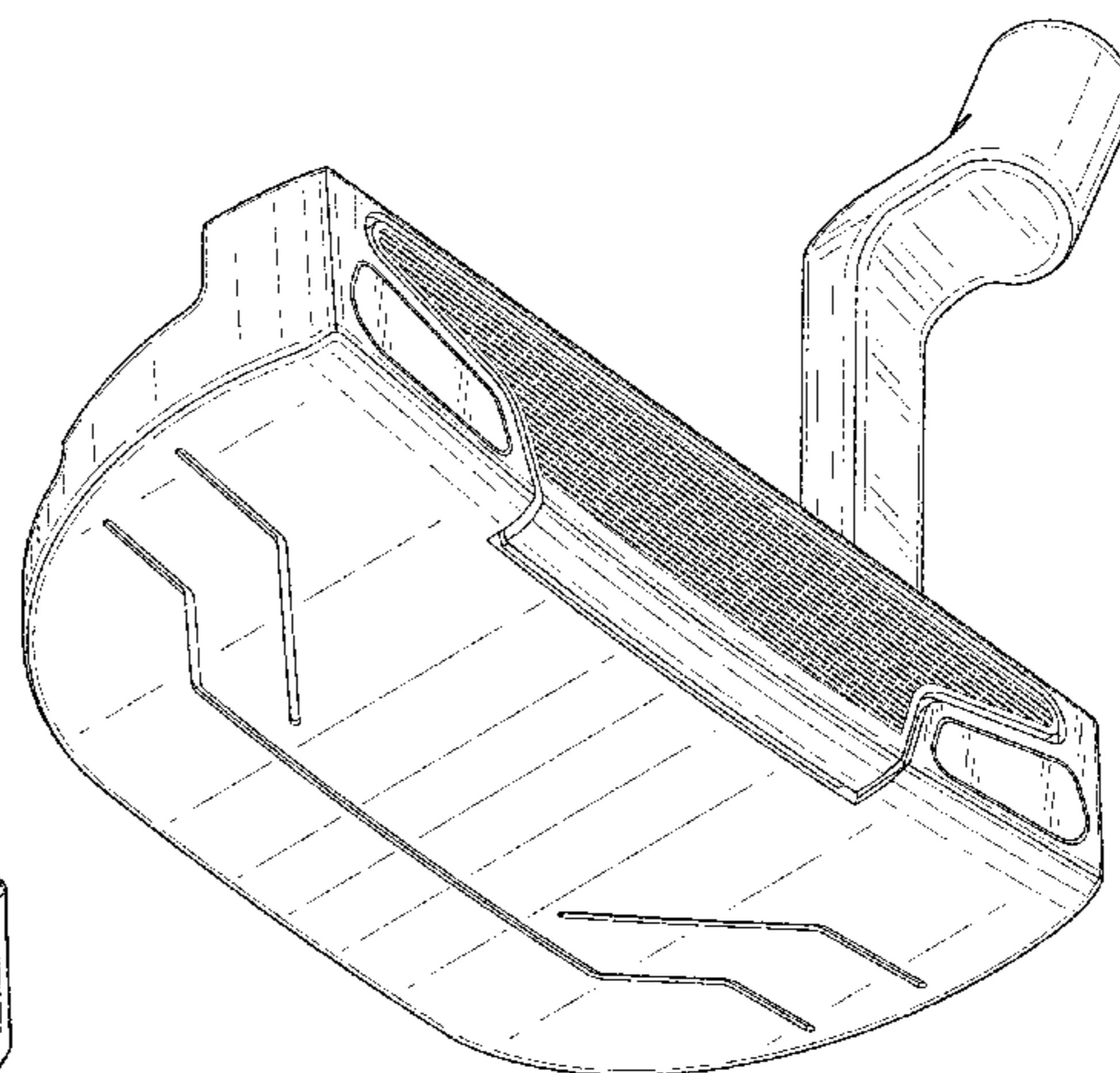
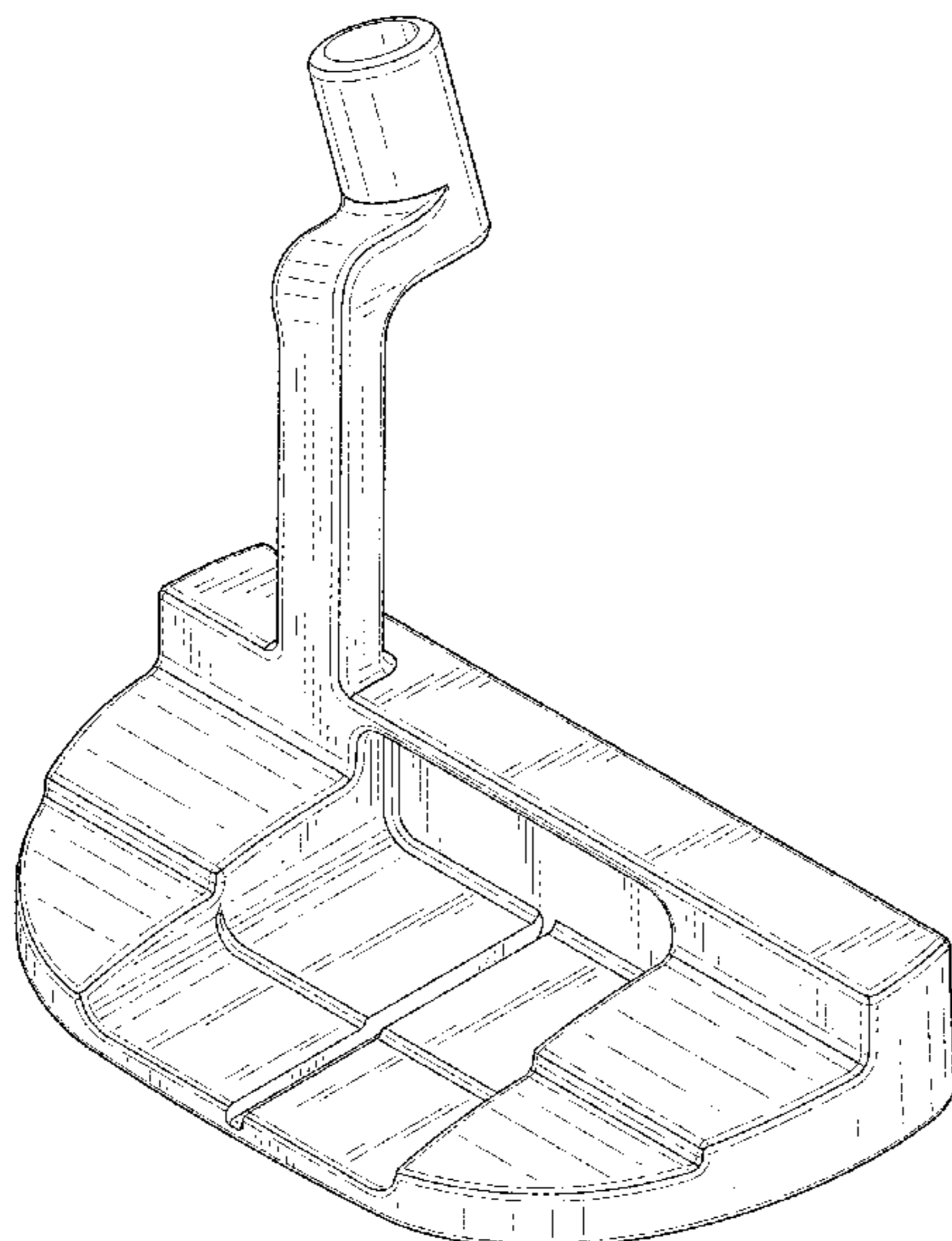
(57) **CLAIM**

The ornamental design for a golf club head, as shown and described.

DESCRIPTION

FIG. 1 is a top perspective view of a golf club head; FIG. 2 is a bottom perspective view of the golf club head of FIG. 1; FIG. 3 is a top view of the golf club head of FIG. 1; FIG. 4 is a bottom view of the golf club head of FIG. 1; FIG. 5 is a front view of the golf club head of FIG. 1; FIG. 6 is a rear view of the golf club head of FIG. 1; FIG. 7 is a heel side view of the golf club head of FIG. 1; and, FIG. 8 is a toe side view of the golf club head of FIG. 1. The broken lines shown on the drawings form no part of the claimed design.

1 Claim, 6 Drawing Sheets



(56)

References Cited

U.S. PATENT DOCUMENTS

D650,457	S	12/2011	Rollinson	
D650,458	S	12/2011	Rollinson	
D652,092	S	1/2012	Rollinson	
D688,762	S	8/2013	Hilton	
D690,378	S	9/2013	Rollinson	
D691,226	S	10/2013	Hilton et al.	
D691,681	S *	10/2013	Hilton	D21/736
D733,233	S *	6/2015	Dolezel	D21/742
D777,268	S *	1/2017	Becktor	D21/742
D826,353	S *	8/2018	Cameron	D21/736
D844,724	S *	4/2019	Wang	D21/743
D875,195	S *	2/2020	Serrano	D21/743
D912,176	S *	3/2021	Toulon	D21/743
D923,730	S *	6/2021	Serrano	D21/743
D929,515	S *	8/2021	Wang	D21/743
D929,519	S *	8/2021	Agrella	D21/744
D934,361	S *	10/2021	Toulon	D21/736
2003/0228925	A1	12/2003	Rohrer	
2007/0021229	A1	1/2007	Haack	
2007/0049402	A1	3/2007	Sanchez et al.	
2007/0298904	A1	12/2007	Dworzan	
2009/0029800	A1	1/2009	Jones et al.	
2009/0105008	A1	4/2009	Kuan et al.	
2009/0170629	A1	7/2009	Hilton	
2009/0270196	A1	10/2009	Solheim et al.	
2009/0305806	A1	12/2009	Campadore et al.	
2009/0305807	A1	12/2009	Solheim et al.	

* cited by examiner

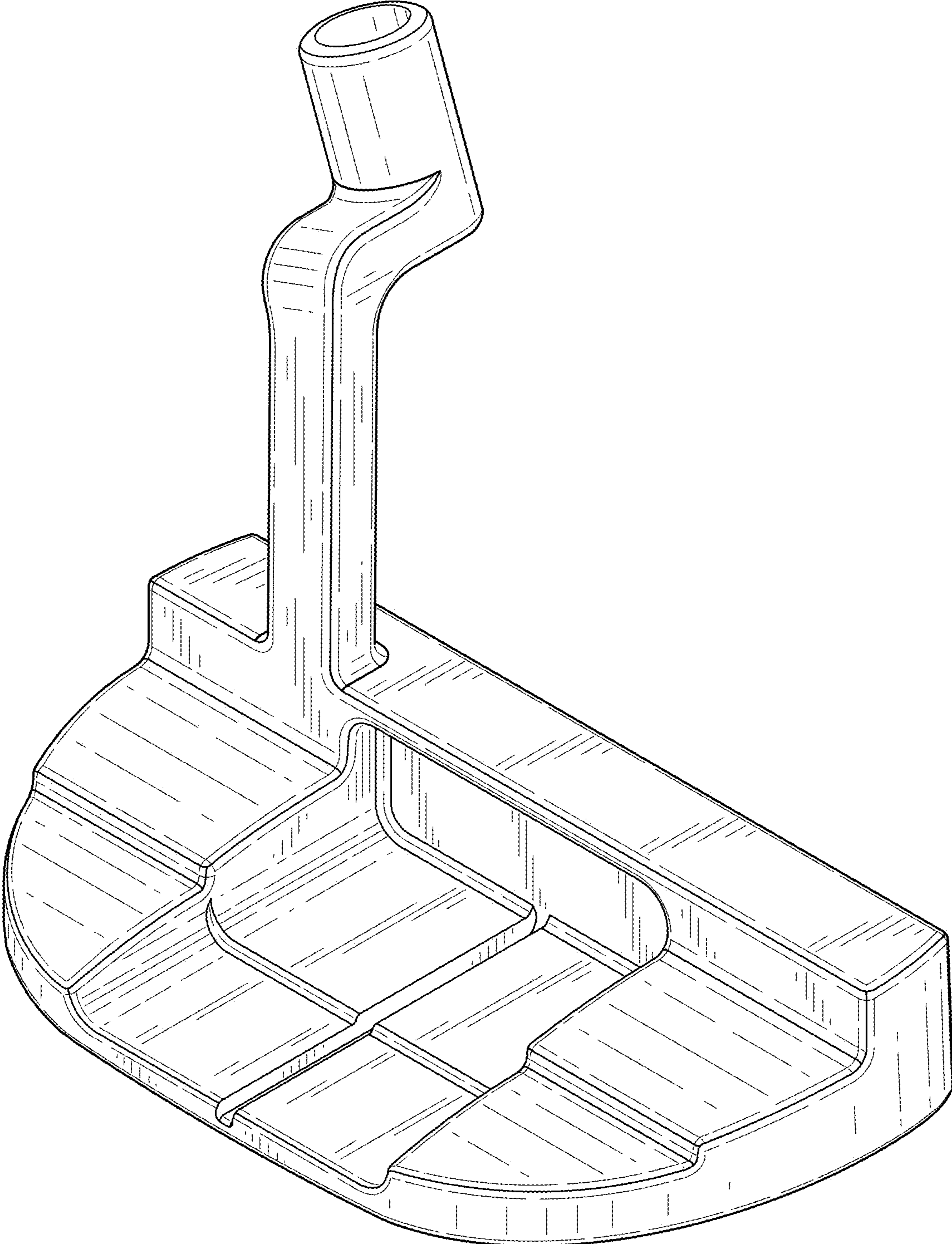


FIG. 1

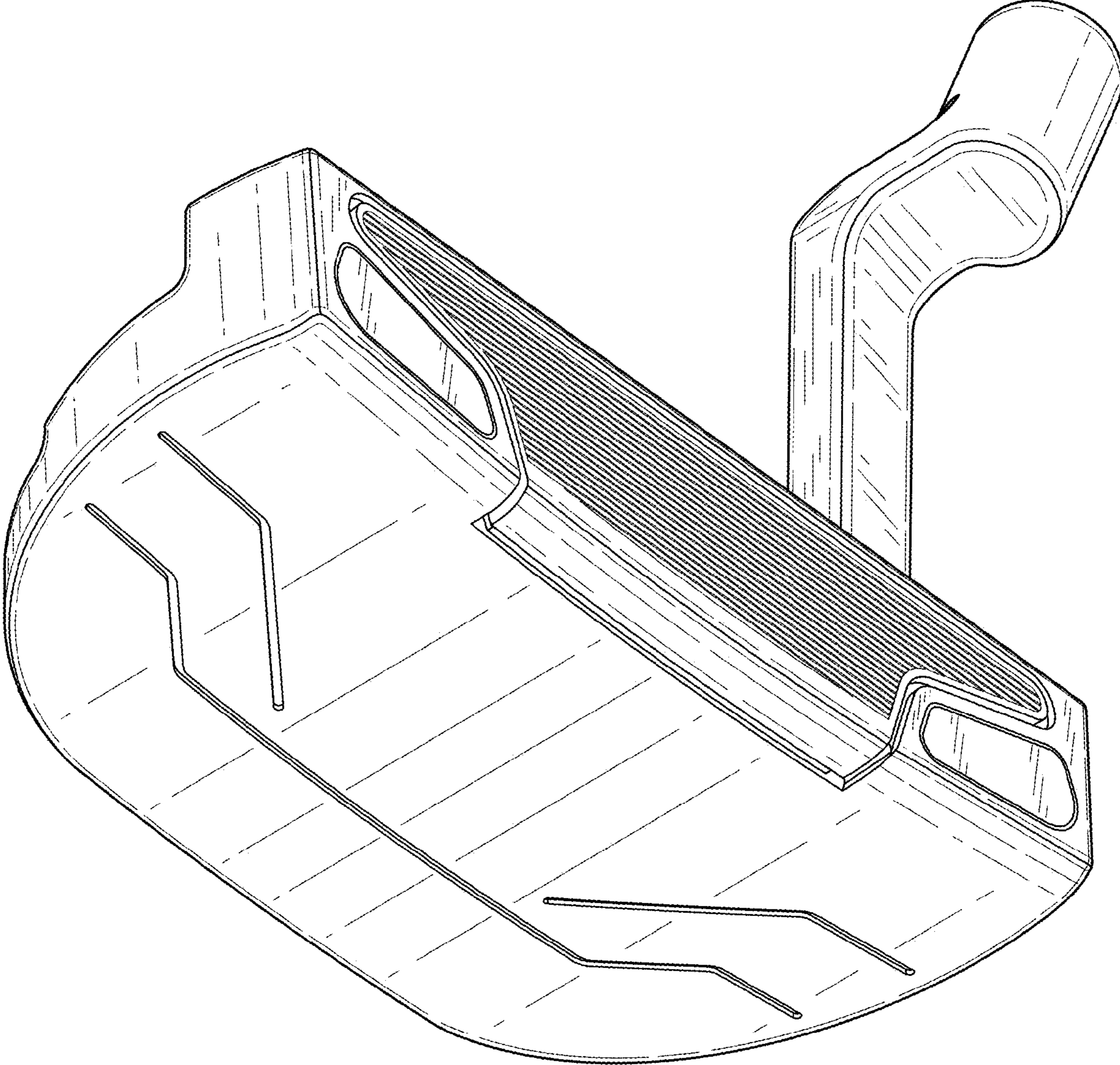


FIG. 2

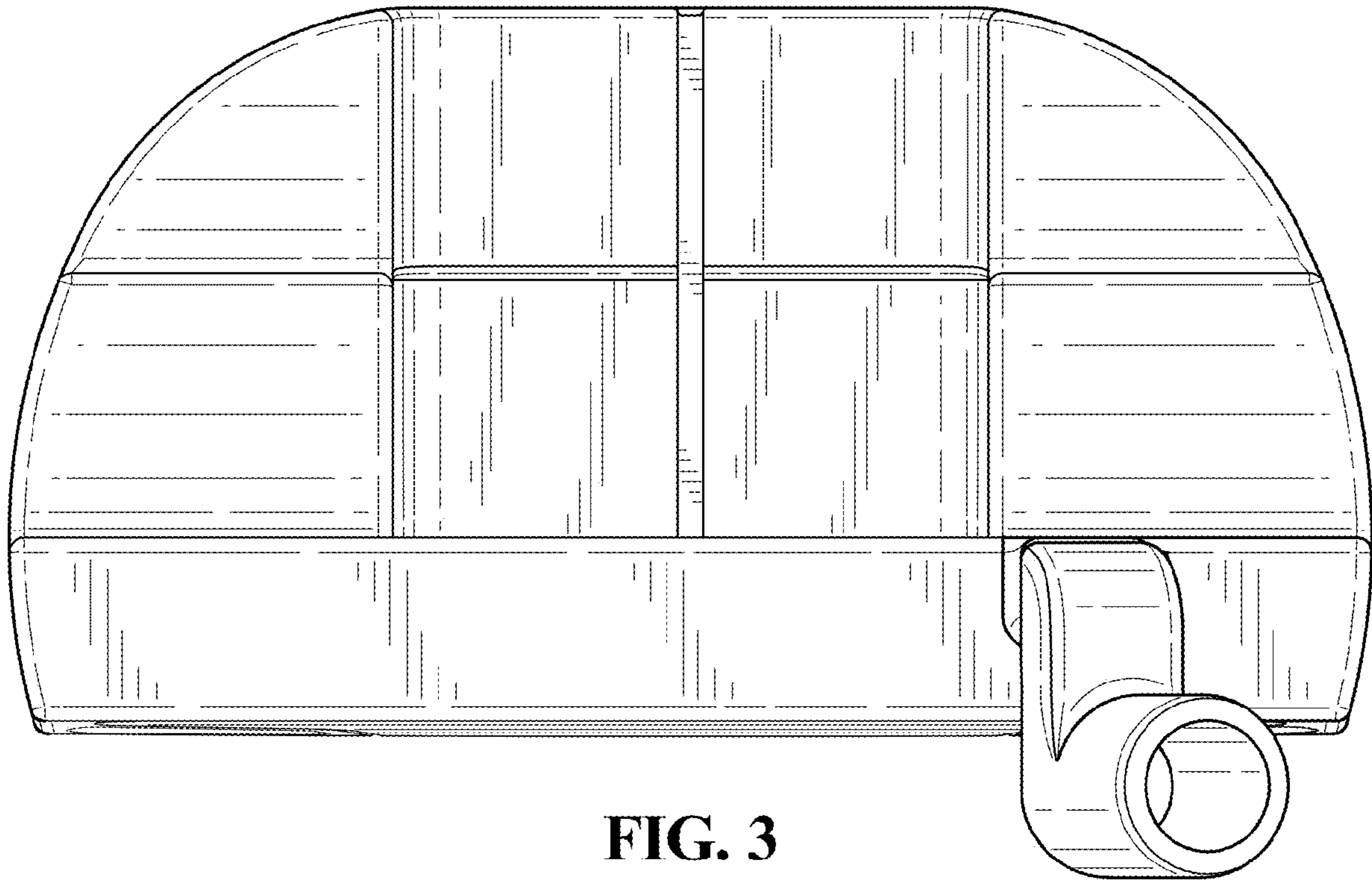


FIG. 3

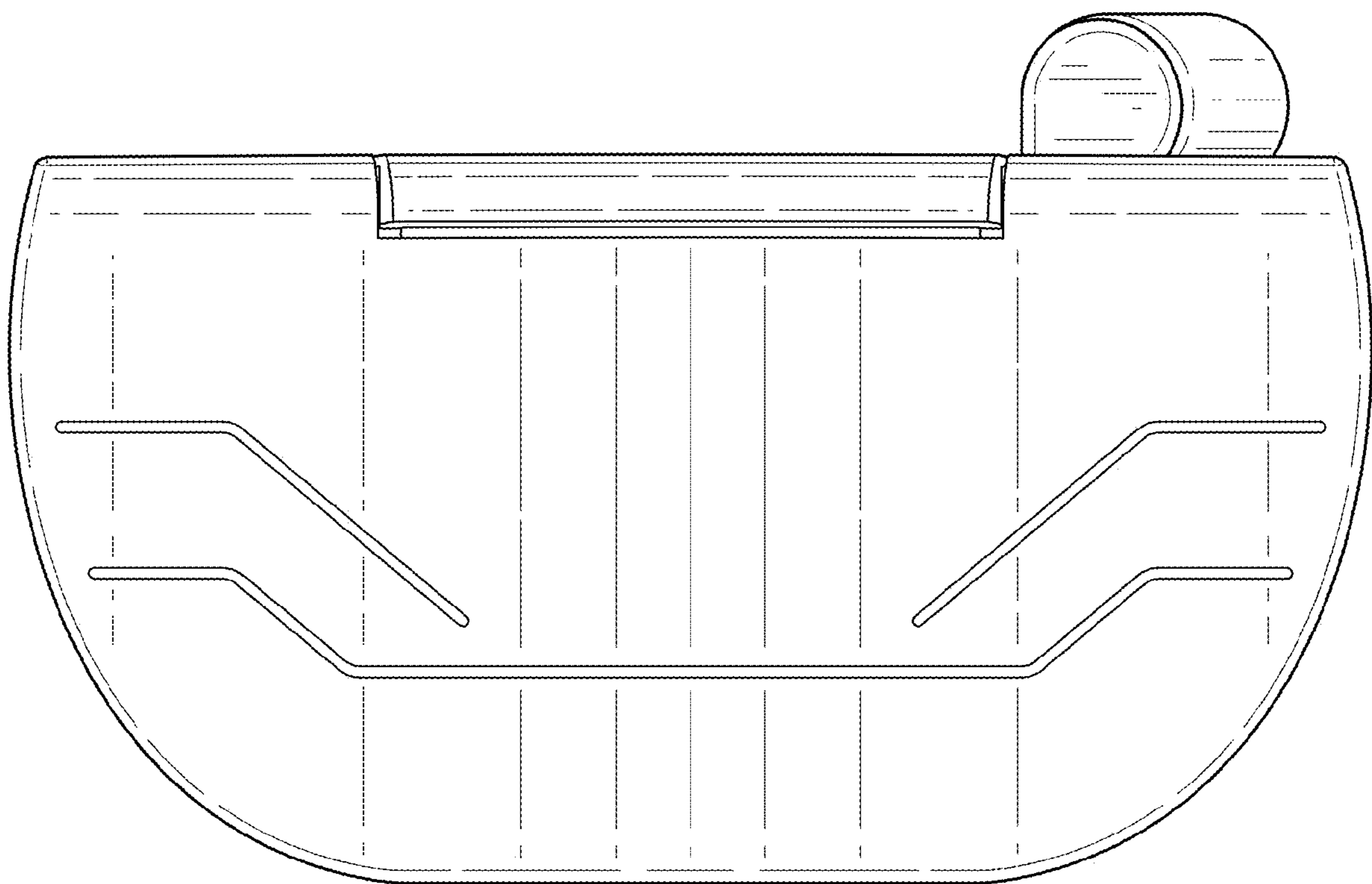


FIG. 4

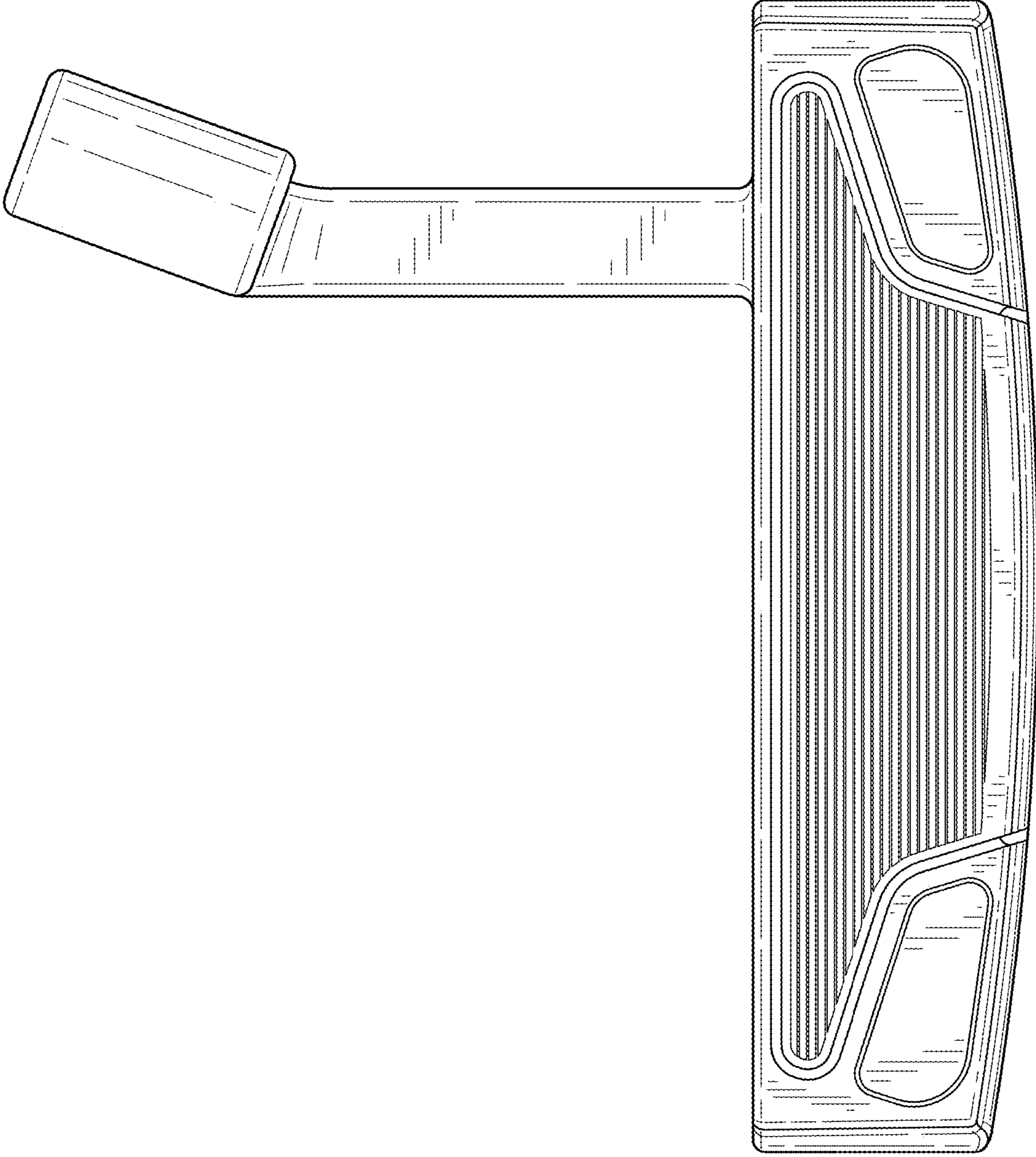


FIG. 5

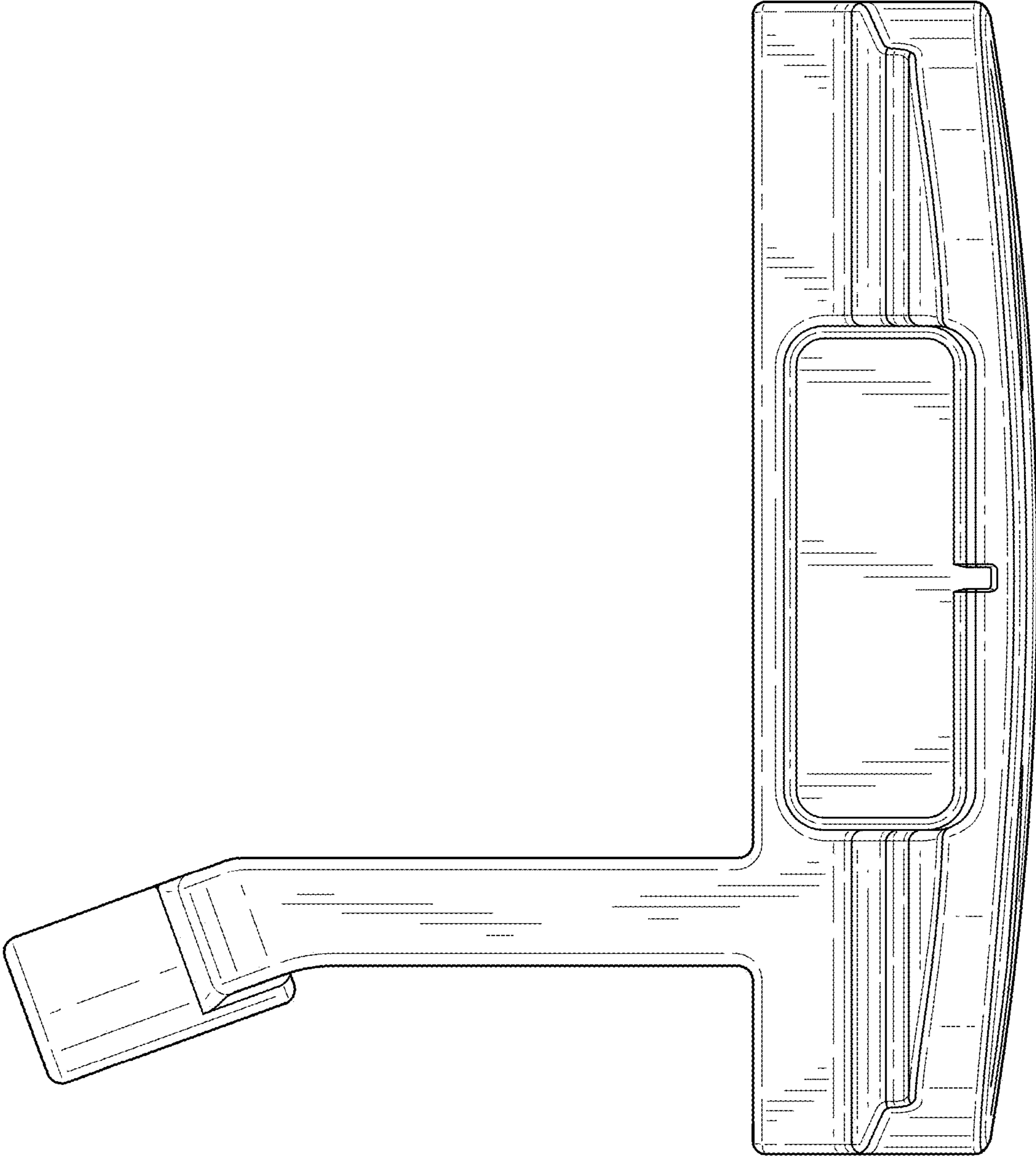


FIG. 6

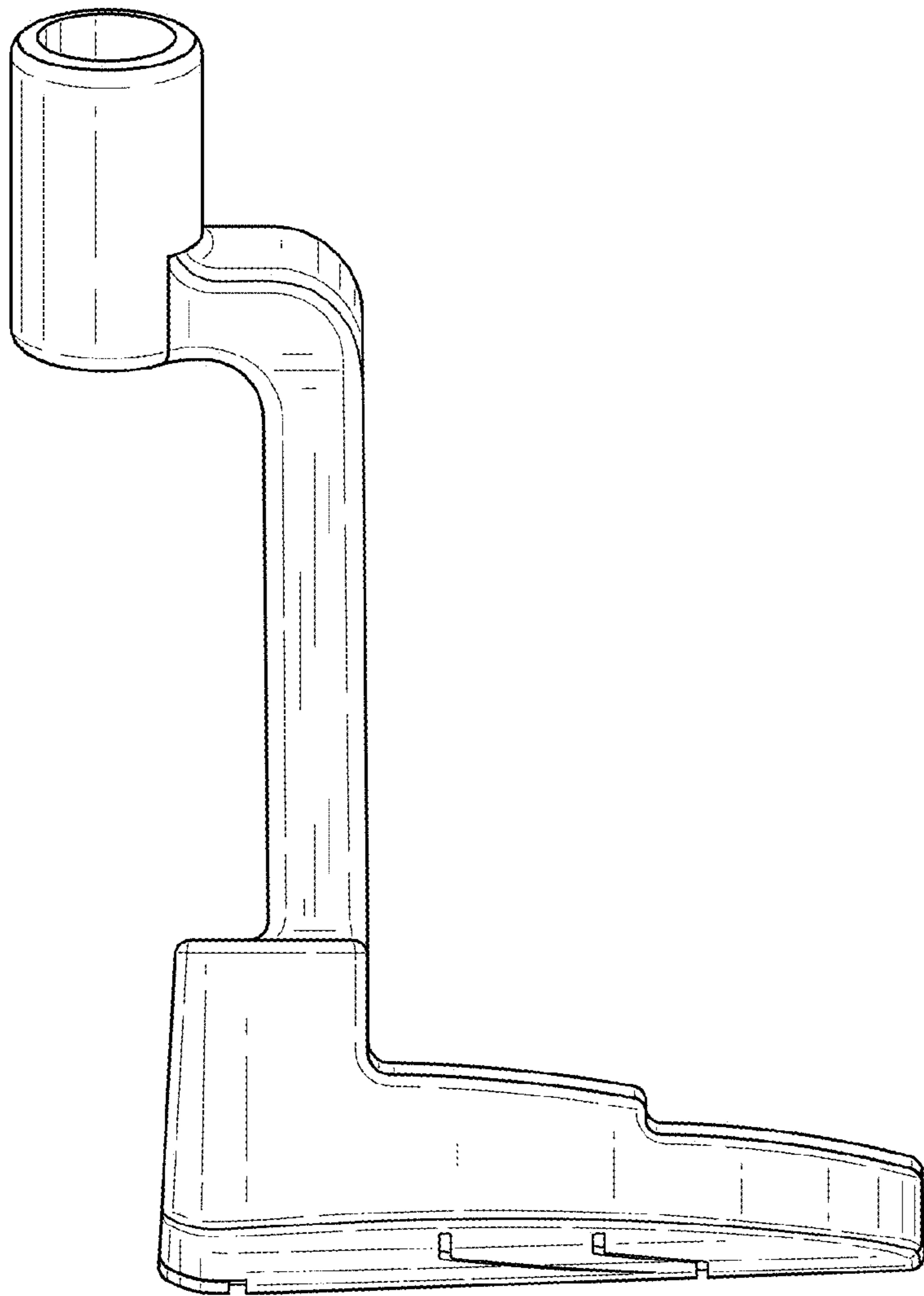


FIG. 7

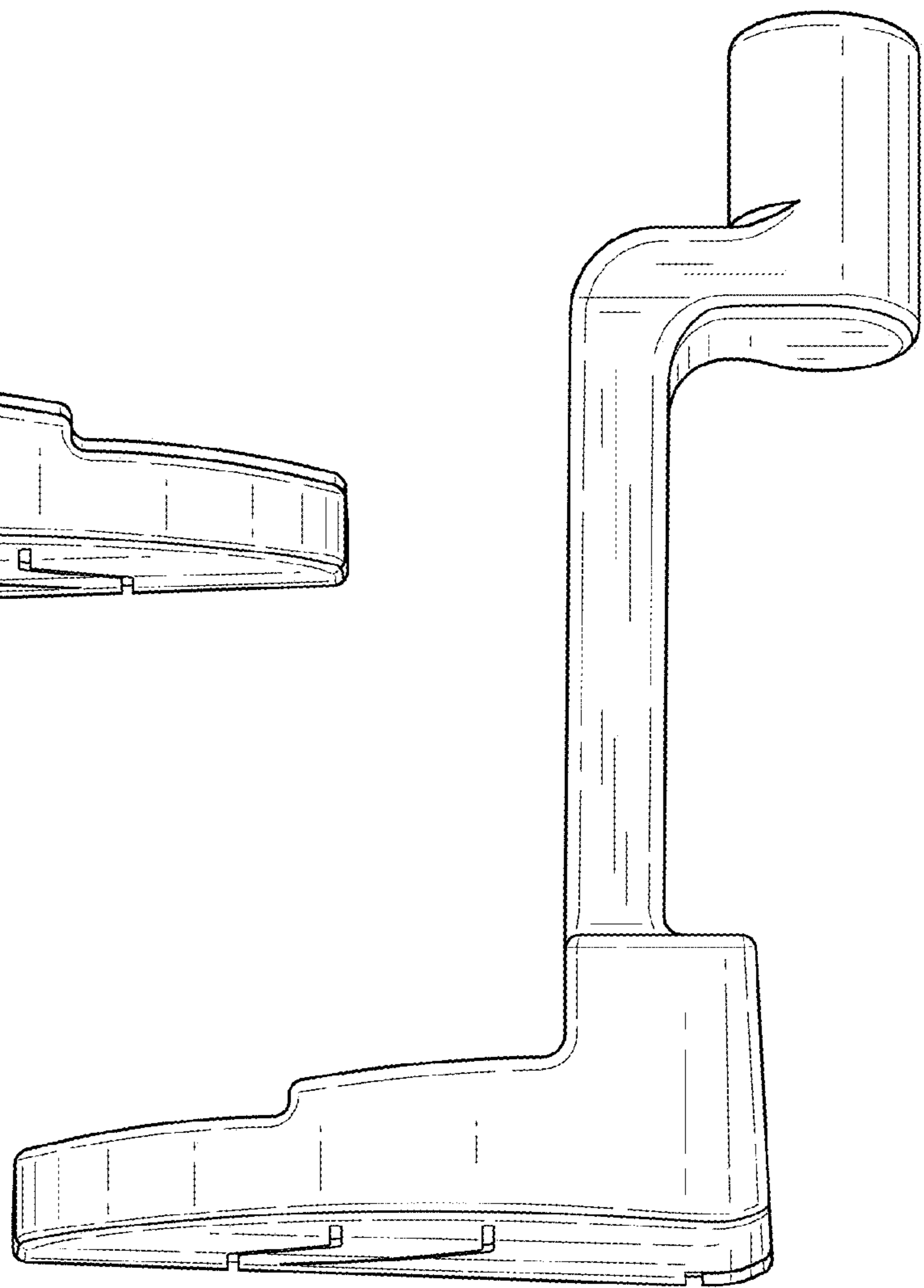


FIG. 8