

US00D973799S

(12) **United States Design Patent** (10) **Patent No.:** **US D973,799 S**
Andrews et al. (45) **Date of Patent:** **** Dec. 27, 2022**

(54) **GOLF CLUB HEAD**

(71) Applicant: **PARSONS XTREME GOLF, LLC**,
 Scottsdale, AZ (US)

(72) Inventors: **Matthew T. Andrews**, Scottsdale, AZ
 (US); **Bradley D. Schweigert**, Cave
 Creek, AZ (US); **Michael R. Nicolette**,
 Scottsdale, AZ (US)

(73) Assignee: **PARSONS XTREME GOLF, LLC**,
 Scottsdale, AZ (US)

(**) Term: **15 Years**

(21) Appl. No.: **29/811,056**

(22) Filed: **Oct. 11, 2021**

(51) **LOC (13) Cl.** **21-02**

(52) **U.S. Cl.**
 USPC **D21/736**

(58) **Field of Classification Search**
 USPC D21/736-746, 759
 CPC A63B 53/00; A63B 53/04; A63B 53/007;
 A63B 53/065; A63B 53/0487; A63B
 60/00; A63B 60/46

See application file for complete search history.

(56) **References Cited**

U.S. PATENT DOCUMENTS

723,534 A * 3/1903 Knight A63B 53/0487
 473/313

922,444 A 5/1909 Youds

1,094,599 A 4/1914 Samson

D57,980 S * 5/1921 Kraeuter D21/741

D63,284 S 11/1923 Challis

RE19,178 E 5/1934 Spiker

4,043,562 A 8/1977 Shillington

D248,783 S 8/1978 Long

D281,092 S 10/1985 Mills

4,964,641 A 10/1990 Miesch et al.

D313,451 S 1/1991 Shearer

D335,317 S 5/1993 Shearer

D335,692 S 5/1993 Antonious

D336,757 S 6/1993 Antonious

5,275,412 A 1/1994 Innes

D350,582 S 9/1994 Miansian et al.

5,390,919 A 2/1995 Stubbs et al.

D356,131 S 3/1995 Trimble

D359,330 S 6/1995 Channell

D360,444 S 7/1995 Takahashi et al.

5,429,366 A 7/1995 McCabe

D363,101 S 10/1995 Sturm

D364,665 S 11/1995 Goodrich

D365,864 S 1/1996 Sturm

5,489,097 A 2/1996 Simmons

D368,751 S 4/1996 Rife

D369,393 S 4/1996 Takahashi et al.

5,571,053 A 11/1996 Lane

D378,688 S 4/1997 Cameron

D380,514 S 7/1997 Markley

D381,382 S 7/1997 Fenton, Jr.

D385,609 S 10/1997 Cameron

5,683,307 A 11/1997 Rife

D388,143 S 12/1997 Huan-Chiang

D389,207 S 1/1998 Cameron

D396,083 S * 7/1998 Sheets D21/742

D398,685 S 9/1998 Masuda

5,807,190 A 9/1998 Krumme et al.

D399,274 S 10/1998 Bradford

D399,290 S 10/1998 Sizemore, Jr.

D399,911 S 10/1998 Nicolette et al.

D400,610 S * 11/1998 Cameron D21/742

5,839,974 A 11/1998 McAllister

D405,836 S 2/1999 Nicolette et al.

D409,701 S 5/1999 Ashcraft et al.

D411,275 S 6/1999 Bottema et al.

5,924,938 A 7/1999 Hines

D415,809 S 10/1999 Bottema et al.

D416,062 S 11/1999 Solheim et al.

D416,969 S 11/1999 Solheim et al.

D416,970 S 11/1999 Solheim et al.

6,007,434 A 12/1999 Baker et al.

D421,473 S 3/2000 Solheim et al.

D422,041 S 3/2000 Bradford

D422,655 S 4/2000 Hicks

D428,457 S * 7/2000 Rollinson D21/743

6,089,993 A 7/2000 Woodward et al.

D429,302 S 8/2000 Antonious

6,110,057 A 8/2000 McKinnon

D430,914 S 9/2000 Antonious

D431,853 S 10/2000 Antonious

D431,854 S 10/2000 Cameron

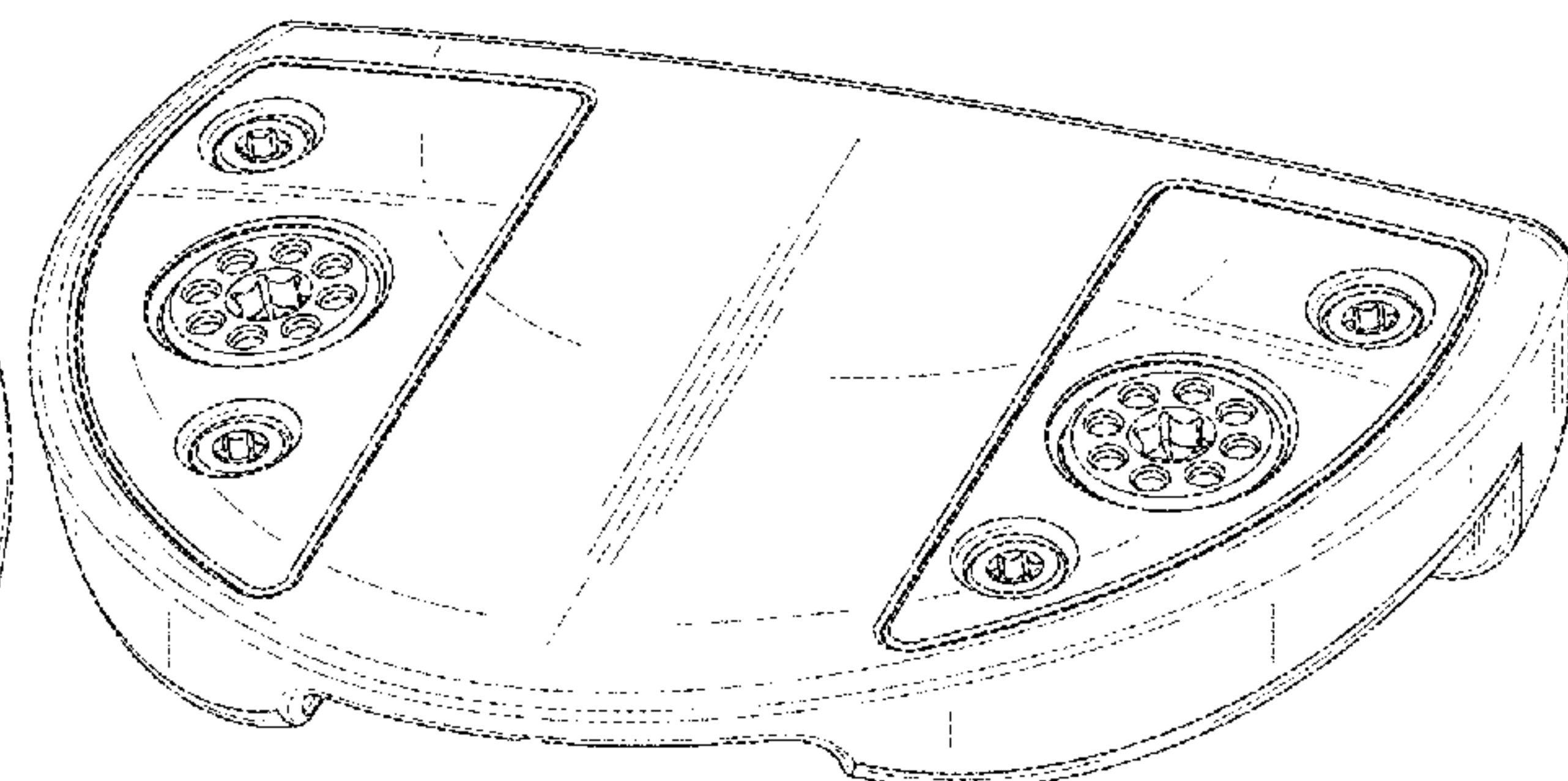
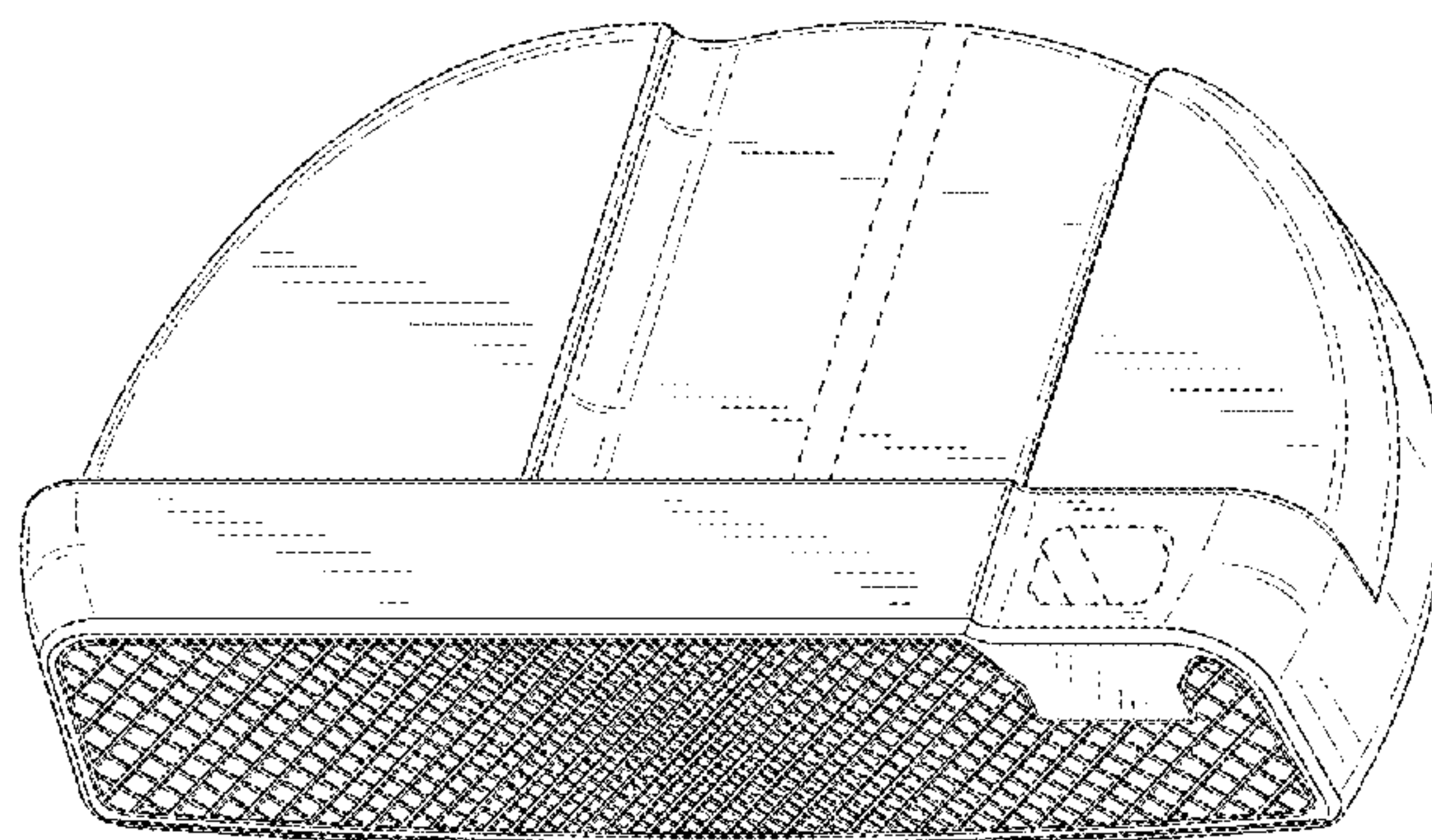
D432,192 S 10/2000 Hicks

D436,151 S 1/2001 Nicolette et al.

D437,374 S 2/2001 Cameron

D441,820 S 5/2001 Nicolette et al.

D443,668 S 6/2001 Nicolette et al.



US D973,799 S

D443,905 S	6/2001	Nicolette et al.		D617,857 S	6/2010	Sones	
D444,833 S	7/2001	Wells et al.		7,744,485 B2	6/2010	Jones et al.	
D444,835 S	7/2001	Wahl et al.		D619,666 S	7/2010	DePaul	
6,257,994 B1	7/2001	Antonious		D620,993 S	8/2010	Laub	
6,264,571 B1	7/2001	Lekavich		D621,461 S	8/2010	Serrano et al.	
D449,664 S	10/2001	Beebe et al.		D623,709 S	9/2010	Serrano et al.	
D449,865 S	10/2001	Fife, Jr. et al.		7,867,104 B2	1/2011	Franklin et al.	
D450,799 S	11/2001	Nicolette et al.		D631,925 S	2/2011	Broom	
D451,973 S	12/2001	Wells et al.		7,887,432 B2	2/2011	Jones et al.	
6,348,014 B1	2/2002	Chiu		D633,964 S	3/2011	Teramoto	
6,354,959 B1	3/2002	Nicolette et al.		D634,801 S *	3/2011	Rollinson	D21/743
6,394,910 B1	5/2002	McCarthy		7,909,707 B2	3/2011	Klein	
D472,949 S	4/2003	Serrano		D635,625 S *	4/2011	Rollinson	D21/743
D474,821 S	5/2003	Wells et al.		7,918,745 B2	4/2011	Morris et al.	
6,652,390 B2	11/2003	Bradford		7,927,226 B1	4/2011	Twitty	
D483,086 S	12/2003	Schweigert et al.		D638,891 S *	5/2011	Nicolette	D21/736
D486,872 S	2/2004	Schweigert et al.		7,942,758 B2	5/2011	Nakamura	
D488,200 S	4/2004	Olsavsky et al.		D639,369 S	6/2011	Miyamichi	
D498,276 S	11/2004	Schweigert et al.		D642,643 S	8/2011	Nicolette et al.	
D500,823 S *	1/2005	Aldrich	D21/759	D643,485 S	8/2011	Nicolette et al.	
D502,518 S	3/2005	Smart		D643,892 S	8/2011	McGrorty	
6,902,496 B2	6/2005	Solheim et al.		D644,703 S *	9/2011	Serrano	D21/743
D509,273 S	9/2005	Morris et al.		D645,104 S	9/2011	Nicolette et al.	
D511,801 S	11/2005	Garcia		D648,408 S *	11/2011	Teramoto	D21/743
D511,802 S *	11/2005	Cameron	D21/744	8,096,039 B2	1/2012	Soracco et al.	
D512,114 S	11/2005	Garcia		D653,718 S	2/2012	Stokke et al.	
D512,116 S	11/2005	Mirafior et al.		8,109,841 B2	2/2012	Miyamichi	
6,988,955 B2	1/2006	Stoakes		D655,361 S	3/2012	Ramsauer	
6,988,956 B2	1/2006	Cover et al.		D657,836 S	4/2012	Oldknow et al.	
D520,088 S	5/2006	Parr		D657,837 S	4/2012	Oldknow et al.	
D520,584 S	5/2006	Karlsen		D658,245 S	4/2012	Oldknow et al.	
D529,109 S	9/2006	Jones		D661,753 S	6/2012	Cameron et al.	
D531,242 S	10/2006	Adams		D661,754 S *	6/2012	Cameron	D21/759
7,125,341 B1	10/2006	D'Eath		D666,260 S	8/2012	Cynn	
D532,067 S	11/2006	Soracco et al.		8,303,434 B1	11/2012	DePaul	
D532,468 S *	11/2006	Hettinger	D21/743	D672,418 S	12/2012	Rollinson	
7,156,752 B1	1/2007	Bennett		8,328,654 B2	12/2012	Demkowski et al.	
D537,898 S	3/2007	Kuan et al.		8,371,958 B2 *	2/2013	Treadwell	A63B 53/04 473/331
7,204,765 B2	4/2007	Cover et al.					
D542,869 S	5/2007	Adams		D688,339 S	8/2013	Hilton et al.	
D542,873 S	5/2007	Oldknow		D688,341 S	8/2013	Rollinson	
D543,598 S	5/2007	Kuan et al.		D691,226 S	10/2013	Hilton et al.	
D556,277 S	11/2007	Broom		D691,681 S *	10/2013	Hilton	D21/736
7,309,297 B1	12/2007	Solari		D699,308 S	2/2014	Rollinson	
D561,854 S	2/2008	Morris		8,696,492 B1	4/2014	Hocknell et al.	
7,331,876 B2	2/2008	Klein		D704,782 S	5/2014	Rollinson	
D564,608 S *	3/2008	Oldknow	D21/736	8,721,472 B2	5/2014	Kuan et al.	
D564,609 S *	3/2008	Oldknow	D21/736	8,790,193 B2	7/2014	Serrano et al.	
D565,137 S	3/2008	Oldknow et al.		D711,483 S	8/2014	Wong	
7,351,162 B2	4/2008	Soracco et al.		D715,388 S	10/2014	Serrano et al.	
D569,460 S	5/2008	Walker et al.		D720,022 S *	12/2014	Rollinson	D21/736
D569,461 S	5/2008	Morris		D720,023 S *	12/2014	Rollinson	D21/736
D569,930 S	5/2008	Nehrbas		D720,411 S *	12/2014	Rollinson	D21/743
D574,050 S	7/2008	Jones et al.		D720,412 S *	12/2014	Rollinson	D21/743
7,396,289 B2	7/2008	Soracco et al.		8,900,064 B2	12/2014	Franklin	
D577,085 S	9/2008	Nicolette et al.		D722,350 S	2/2015	Schweigert	
D577,086 S	9/2008	Nicolette et al.		D722,351 S	2/2015	Parsons et al.	
D579,506 S	10/2008	Nicolette et al.		D722,352 S	2/2015	Nicolette et al.	
D579,995 S	11/2008	Nicolette et al.		D723,120 S	2/2015	Nicolette	
D582,497 S	12/2008	Rollinson		D724,164 S	3/2015	Schweigert et al.	
7,473,189 B2	1/2009	Schweigert et al.		D725,208 S *	3/2015	Schweigert	D21/743
7,491,131 B2	2/2009	Vinton		D726,265 S	4/2015	Nicolette	
D590,463 S *	4/2009	Hettinger	D21/743	D726,270 S	4/2015	Rollinson	
D594,921 S	6/2009	Bettinardi		D726,846 S *	4/2015	Schweigert	D21/743
D595,370 S	6/2009	Ines et al.		D730,462 S	5/2015	Becktor et al.	
D595,793 S	7/2009	Rollinson		D732,122 S	6/2015	Becktor	
D599,425 S	9/2009	Laub		D732,618 S	6/2015	Becktor et al.	
D599,867 S	9/2009	Teramoto		D733,234 S	6/2015	Nicolette	
D600,295 S	9/2009	Meeks		D735,283 S	7/2015	Solheim et al.	
D600,762 S *	9/2009	Serrano	D21/743	9,108,088 B2	8/2015	Serrano et al.	
D600,763 S	9/2009	Cameron		D738,447 S *	9/2015	Schweigert	D21/736
D601,214 S	9/2009	Serrano et al.		D738,449 S	9/2015	Schweigert	
D603,007 S *	10/2009	Franklin	D21/736	D739,487 S	9/2015	Schweigert	
D606,139 S	12/2009	Ines et al.		9,144,717 B2	9/2015	Franklin et al.	
D606,140 S	12/2009	Ramsauer		D741,426 S	10/2015	Schweigert	
D606,141 S	12/2009	Ramsauer		D746,926 S	1/2016	Parsons et al.	
D606,142 S	12/2009	Ramsauer		D748,213 S	1/2016	Parsons et al.	
D607,951 S	1/2010	Teramoto		D748,215 S	1/2016	Parsons et al.	
D607,952 S	1/2010	Demkowski et al.		9,233,283 B2	1/2016	Schweigert	

9,265,996 B1	2/2016	Abbott et al.			
D752,697 S	3/2016	Claveran			
D753,252 S	4/2016	Schweigert			
D759,173 S *	6/2016	Rollinson	D21/743		
D762,274 S *	7/2016	Cardani	D21/759		
D763,382 S *	8/2016	Cardani	D21/759		
D765,198 S *	8/2016	Cardani	D21/759		
9,440,124 B2	9/2016	Parsons et al.			
D768,247 S *	10/2016	Rollinson	D21/744		
9,498,685 B2	11/2016	Abbott et al.			
D779,006 S *	2/2017	Abbott	D21/744		
9,566,484 B1	2/2017	Abbott et al.			
D783,745 S	4/2017	Chen			
D791,254 S	7/2017	Ramsauer			
D791,891 S	7/2017	Davis			
D794,146 S	8/2017	Davis			
D796,603 S *	9/2017	Serrano	D21/744		
D798,975 S	10/2017	Becktor			
D798,976 S	10/2017	Becktor			
D798,977 S	10/2017	Becktor			
D798,978 S	10/2017	Becktor			
D798,979 S	10/2017	Becktor			
D798,980 S	10/2017	Becktor			
D798,981 S	10/2017	Becktor et al.			
D799,619 S	10/2017	Becktor et al.			
D802,073 S *	11/2017	Toulon	D21/759		
D809,616 S	2/2018	Toulon et al.			
D812,163 S *	3/2018	Kroloff	D21/736		
9,987,530 B2	6/2018	Jertson et al.			
D824,462 S	7/2018	Bruschi et al.			
D826,353 S *	8/2018	Cameron	D21/736		
D827,742 S	9/2018	Weaver			
D832,950 S	11/2018	Serrano			
D835,217 S	12/2018	Nicolette			
D837,911 S	1/2019	Bruschi et al.			
10,173,105 B2 *	1/2019	Myers	A63B 53/0487		
D839,977 S	2/2019	Rollinson et al.			
D844,085 S	3/2019	Nicolette			
D844,723 S	4/2019	Nicolette			
D859,545 S	9/2019	Long et al.			
D860,353 S *	9/2019	Rollinson	D21/743		
D861,091 S	9/2019	Glorioso et al.			
10,441,858 B2 *	10/2019	Schweigert	A63B 53/065		
10,493,331 B2 *	12/2019	Kroloff	A63B 53/0433		
D872,816 S *	1/2020	Parsons	D21/736		
D873,358 S *	1/2020	Lee	D21/744		
D877,831 S	3/2020	Cameron			
D879,222 S	3/2020	Serrano			
D879,223 S *	3/2020	Serrano	D21/742		
D879,895 S *	3/2020	Schweigert	D21/759		
10,646,758 B2 *	5/2020	Schweigert	A63B 60/02		
D892,243 S	8/2020	Rollinson et al.			
D892,955 S *	8/2020	Clarke	D21/744		
D893,655 S *	8/2020	Schweigert	D21/759		
10,737,153 B2 *	8/2020	Schweigert	A63B 53/0487		
D895,037 S	9/2020	Clarke et al.			
D895,747 S *	9/2020	Rollinson	D21/743		
D896,328 S	9/2020	Clarke et al.			
D896,903 S *	9/2020	Schweigert	D21/743		
D898,846 S *	10/2020	Clarke	D21/743		
D898,847 S *	10/2020	Clarke	D21/743		
D906,453 S	12/2020	Agrella et al.			
D906,457 S	12/2020	Lambeth et al.			
D907,146 S	1/2021	Cyruлик et al.			
D907,147 S	1/2021	Agrella et al.			
D907,730 S	1/2021	Rollinson et al.			
D909,504 S	2/2021	Schweigert et al.			
D909,505 S	2/2021	Schweigert et al.			
D909,506 S	2/2021	Schweigert et al.			
D910,789 S	2/2021	Schweigert et al.			
D910,790 S	2/2021	Schweigert et al.			
D913,388 S	3/2021	Nicolette			
D913,389 S *	3/2021	Schweigert	D21/736		
10,960,271 B2	3/2021	Kroloff et al.			
10,981,038 B2 *	4/2021	Schweigert	A63B 53/0487		
D919,722 S	5/2021	Parsons et al.			
D920,452 S	5/2021	Parsons et al.			
D923,729 S *	6/2021	Nicolette	D21/736		
D924,345 S	7/2021	Nicolette et al.			
D924,346 S *	7/2021	Nicolette	D21/736		
D925,673 S	7/2021	Parsons et al.			
D926,898 S	8/2021	Schweigert et al.			
D927,619 S	8/2021	Andrews			
D927,622 S *	8/2021	Schweigert	D21/759		
D928,259 S	8/2021	Andrews			
D928,263 S *	8/2021	Schweigert	D21/759		
D929,518 S *	8/2021	Agrella	D21/744		
11,090,535 B1 *	8/2021	Schweigert	A63B 53/065		
D933,766 S	10/2021	Parsons et al.			
11,141,635 B2 *	10/2021	Schweigert	A63B 60/02		
D946,677 S *	3/2022	Serrano	D21/743		
D952,082 S *	5/2022	Andrews	D21/736		
D961,029 S *	8/2022	Serrano	D21/742		
2004/0138003 A1	7/2004	Grace			
2004/0180730 A1	9/2004	Franklin et al.			
2006/0052178 A1	3/2006	Franklin et al.			
2006/0094522 A1	5/2006	Tang et al.			
2006/0223646 A1 *	10/2006	Rife	A63B 53/0487 473/251		
2006/0223649 A1	10/2006	Rife			
2007/0129163 A1	6/2007	Solari			
2007/0135229 A1	6/2007	Lo et al.			
2007/0142122 A1	6/2007	Bonneau			
2007/0207875 A1	9/2007	Kuan et al.			
2007/0238548 A1	10/2007	Johnson			
2008/0139333 A1	6/2008	Klein			
2008/0146372 A1	6/2008	John			
2008/0176672 A1	7/2008	Roach et al.			
2009/0029800 A1	1/2009	Jones et al.			
2010/0255922 A1	10/2010	Lueders			
2013/0165256 A1	6/2013	Stevenson			
2013/0210537 A1	8/2013	Ainscough et al.			
2015/0057100 A1	2/2015	Serrano et al.			
2015/0258390 A1	9/2015	DeFrancesco, Jr.			
2015/0306477 A1	10/2015	Parsons et al.			
2016/0016050 A1	1/2016	Rife			
2016/0346649 A1	12/2016	Jertson et al.			
2017/0036078 A1	2/2017	Serrano et al.			
2018/0001163 A1	1/2018	Becktor et al.			
2018/0311545 A1	11/2018	Lambeth et al.			
2019/0175995 A1	6/2019	Kroloff et al.			
2019/0175996 A1	6/2019	Kroloff et al.			
2020/0061421 A1	2/2020	Kroloff et al.			

FOREIGN PATENT DOCUMENTS

JP	2004223184 A	8/2004
JP	2005160691 A	6/2005
KR	20100065481 A	6/2010
KR	101773069 B1	8/2017

OTHER PUBLICATIONS

Pxg putters google search; google.com; Aug. 30, 2022.*
 Pxg putters; pxg.com; Aug. 30, 2022.*
 Plugged In Golf (2015 Bettinardi Putters Review) [online]. Mar. 3, 2015 [retrieve Nov. 25, 2019] URL: <https://pluggedingolf.com/2015-bettinardi-putters-review/>.
 TourSpecGolf (Gold's Factory Multi Weighted Custom Putter), Published Nov. 20, 2010 [http://blog.tourSpecgolf.com/golds-factory-multi-weighted-custom-putter/], Retrieved May 17, 2020.
 U.S. Appl. No. 29/523,587, Schweigert, "Golf Club Head," filed Apr. 10, 2015.

* cited by examiner

Primary Examiner — Mitchell I. Siegel

(57)

CLAIM

The ornamental design for a golf club head, as shown and described.

DESCRIPTION

FIG. 1 is a top perspective view of a golf club head according to a first embodiment;

FIG. 2 is a bottom perspective view of the golf club head of FIG. 1;
FIG. 3 is a front elevational view of the golf club head of FIG. 1;
FIG. 4 is a rear elevational view of the golf club head of FIG. 1;
FIG. 5 is a top view of the golf club head of FIG. 1;
FIG. 6 is a bottom view of the golf club head of FIG. 1;
FIG. 7 is a left side view of the golf club head of FIG. 1;
FIG. 8 is a right side view of the golf club head of FIG. 1;
FIG. 9 is a top perspective view of a golf club head according to a second embodiment;
FIG. 10 is a bottom perspective view of the golf club head of FIG. 9;
FIG. 11 is a front elevational view of the golf club head of FIG. 9;
FIG. 12 is a rear elevational view of the golf club head of FIG. 9;
FIG. 13 is a top view of the golf club head of FIG. 9;

FIG. 14 is a bottom view of the golf club head of FIG. 9;
FIG. 15 is a left side view of the golf club head of FIG. 9;
FIG. 16 is a right side view of the golf club head of FIG. 9;
FIG. 17 is a top perspective view of a golf club head according to a third embodiment;
FIG. 18 is a bottom perspective view of the golf club head of FIG. 17;
FIG. 19 is a front elevational view of the golf club head of FIG. 17;
FIG. 20 is a rear elevational view of the golf club head of FIG. 17;
FIG. 21 is a top view of the golf club head of FIG. 17;
FIG. 22 is a bottom view of the golf club head of FIG. 17;
FIG. 23 is a left side view of the golf club head of FIG. 17;
and,
FIG. 24 is a right side view of the golf club head of FIG. 17.
The broken lines shown on the drawings form no part of the claimed design.

1 Claim, 12 Drawing Sheets

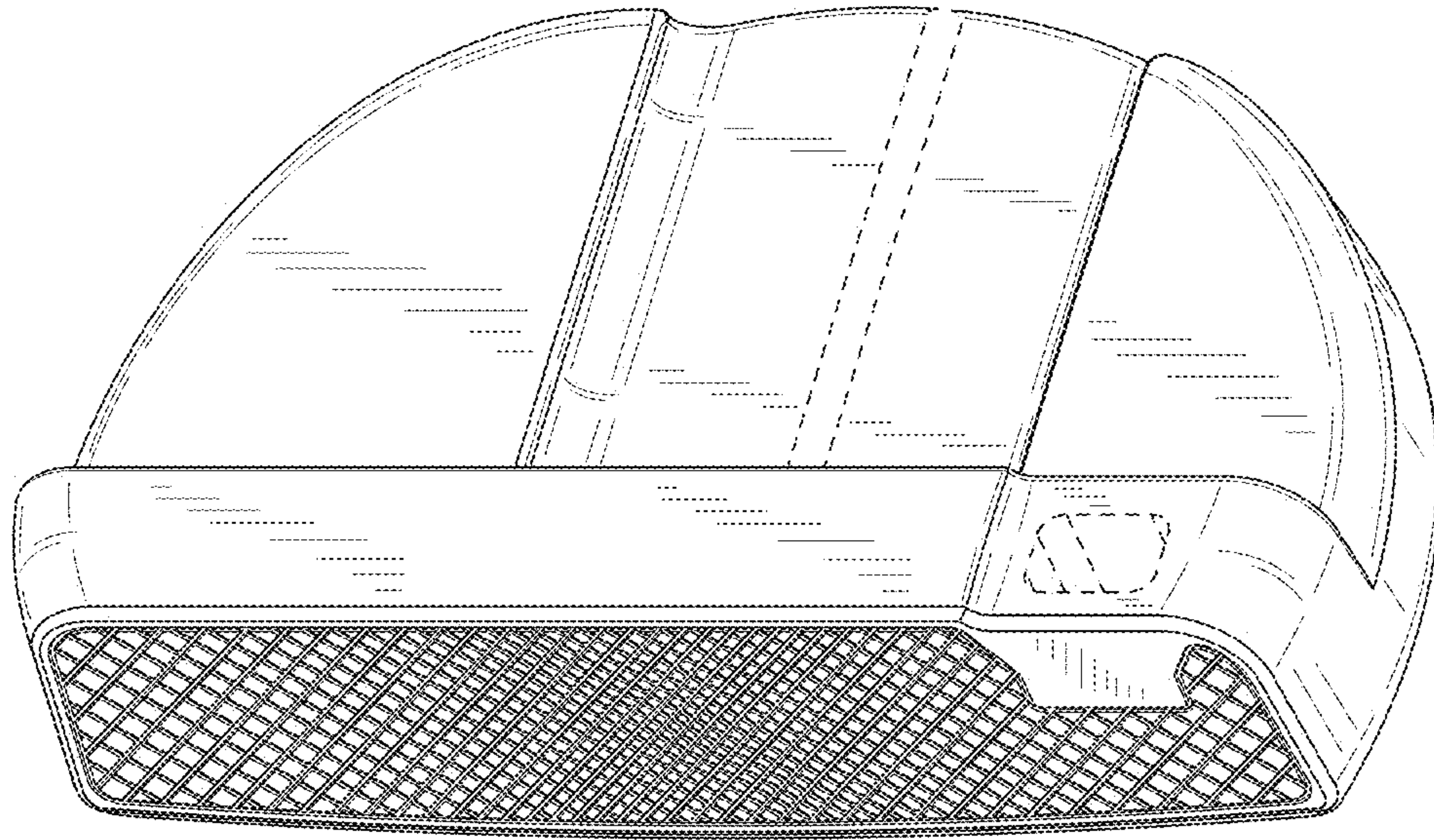


FIG. 1

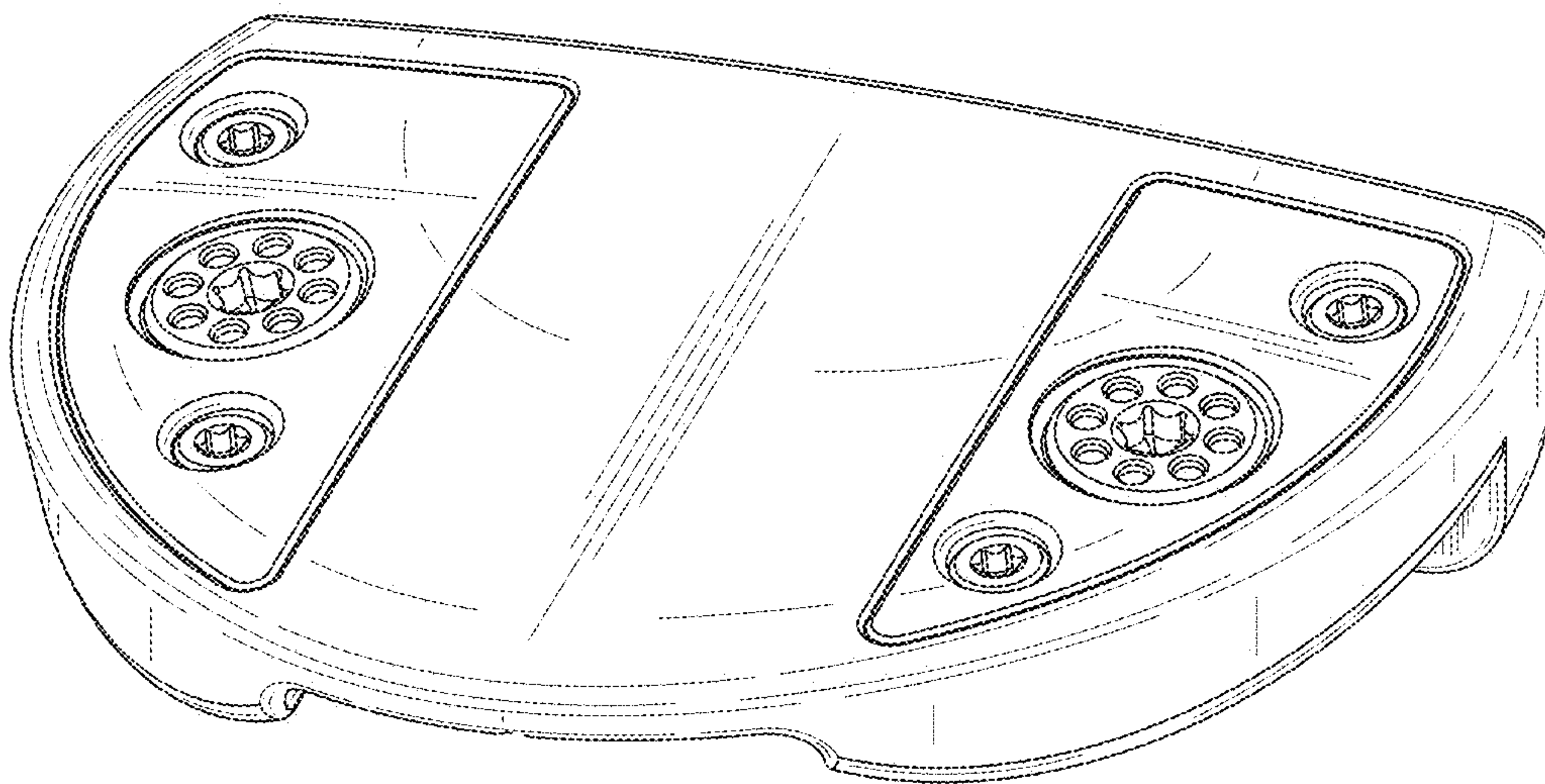


FIG. 2

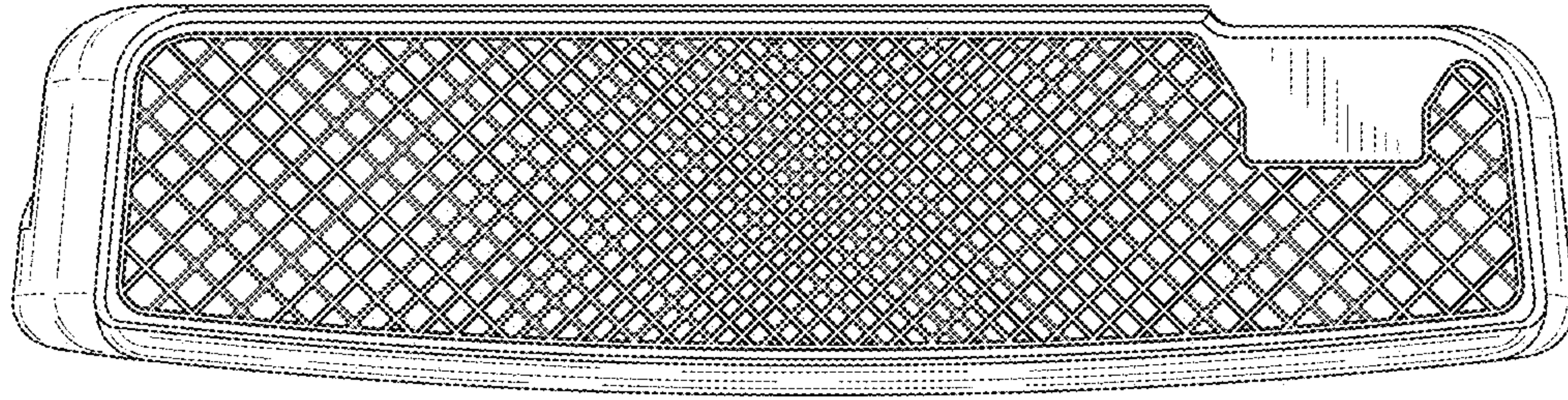


FIG. 3

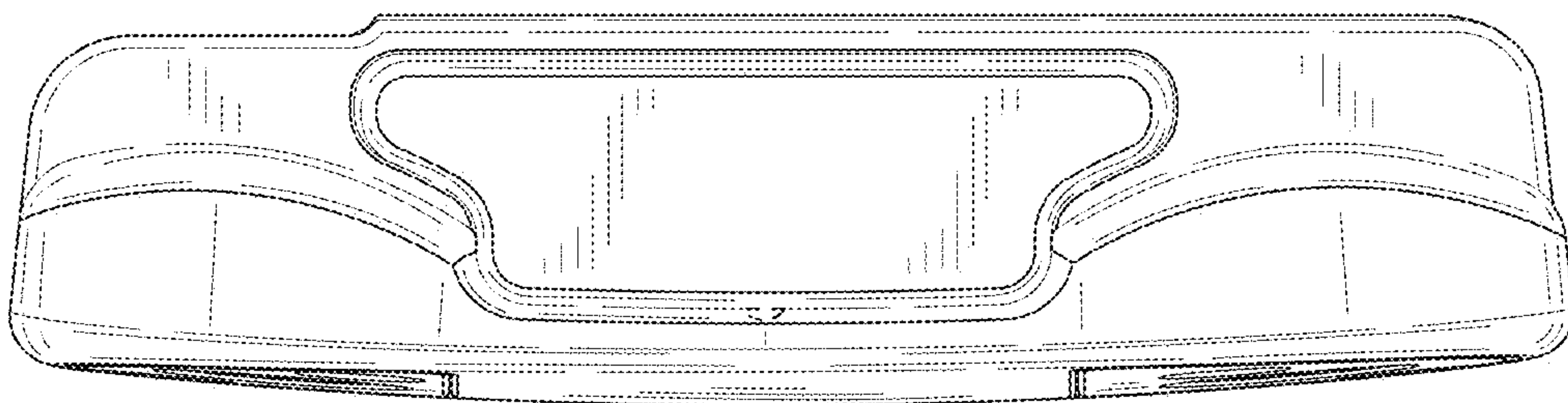


FIG. 4

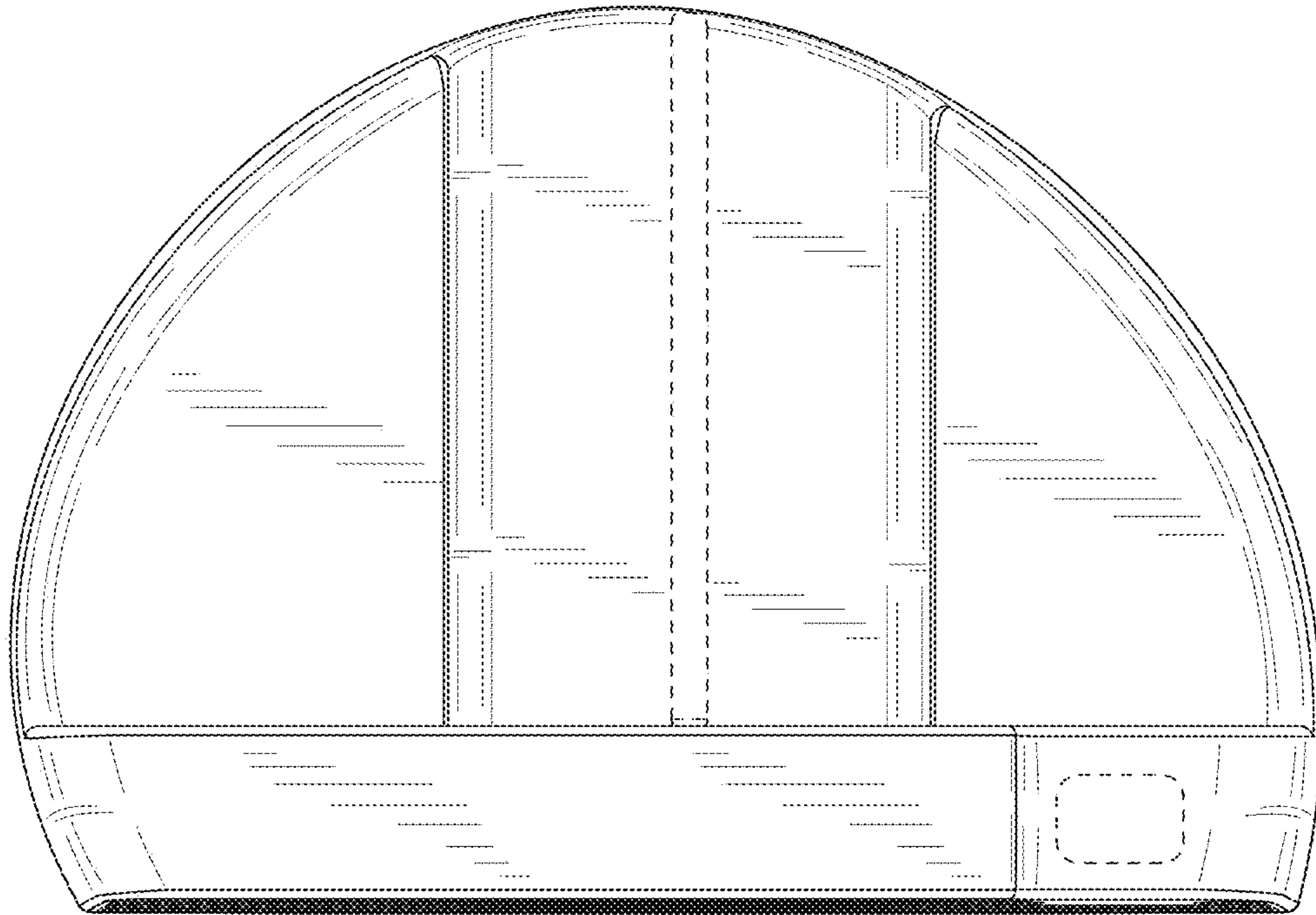


FIG. 5

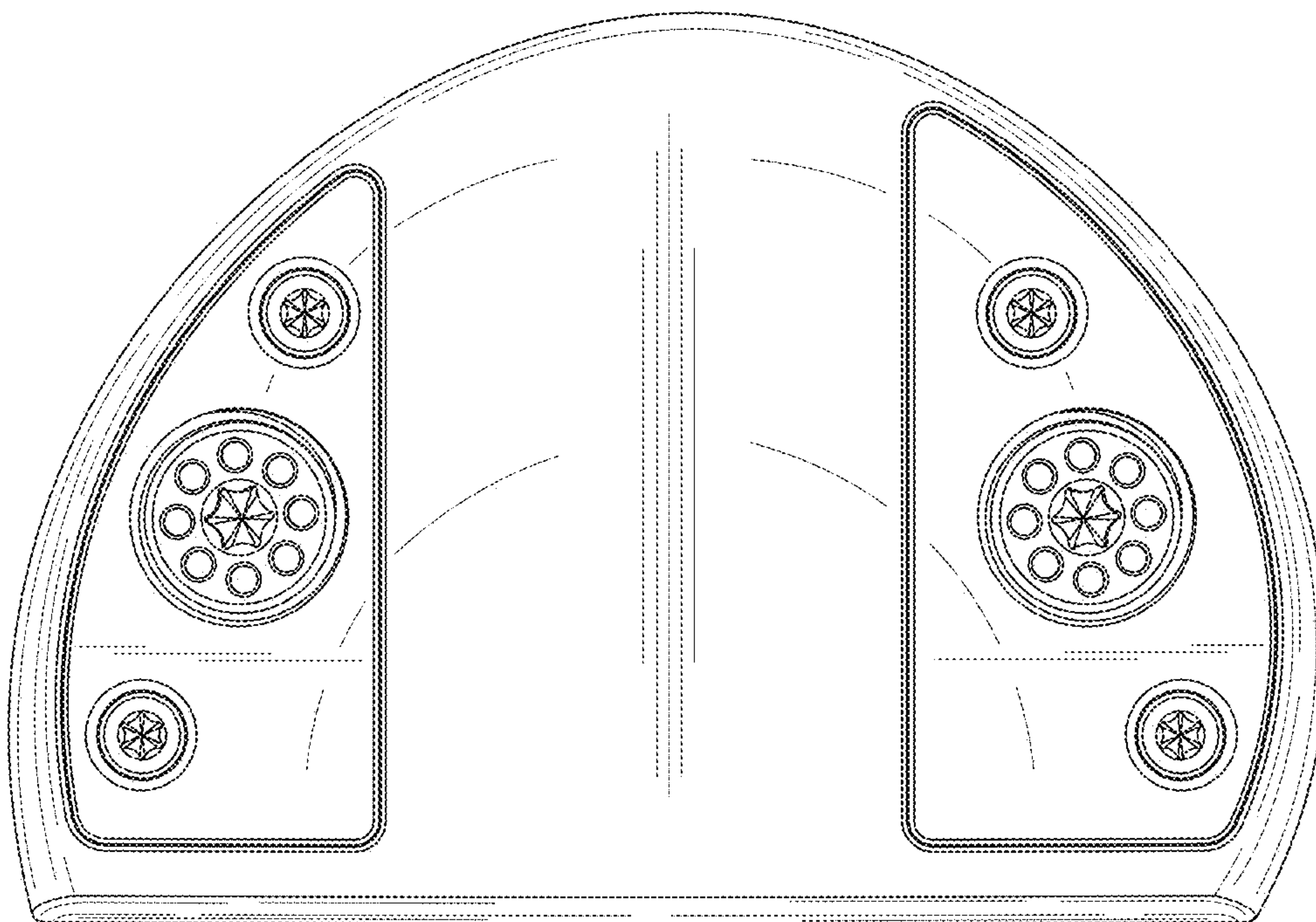


FIG. 6

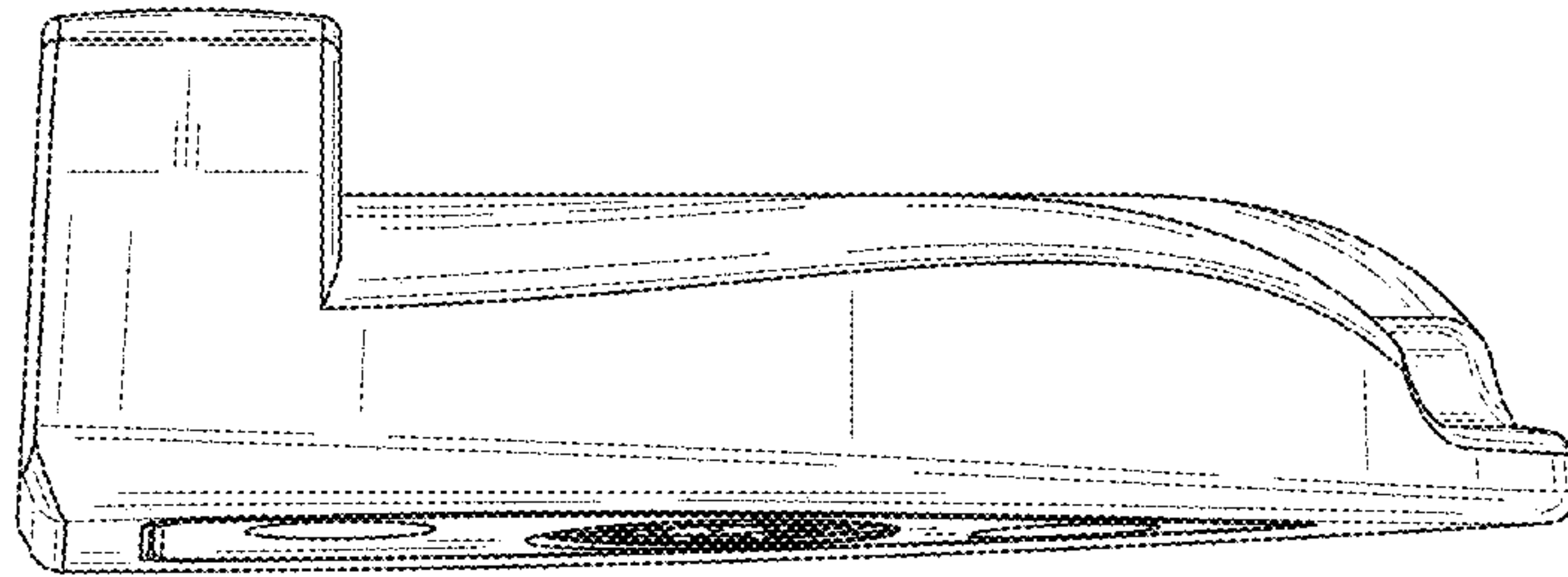


FIG. 7

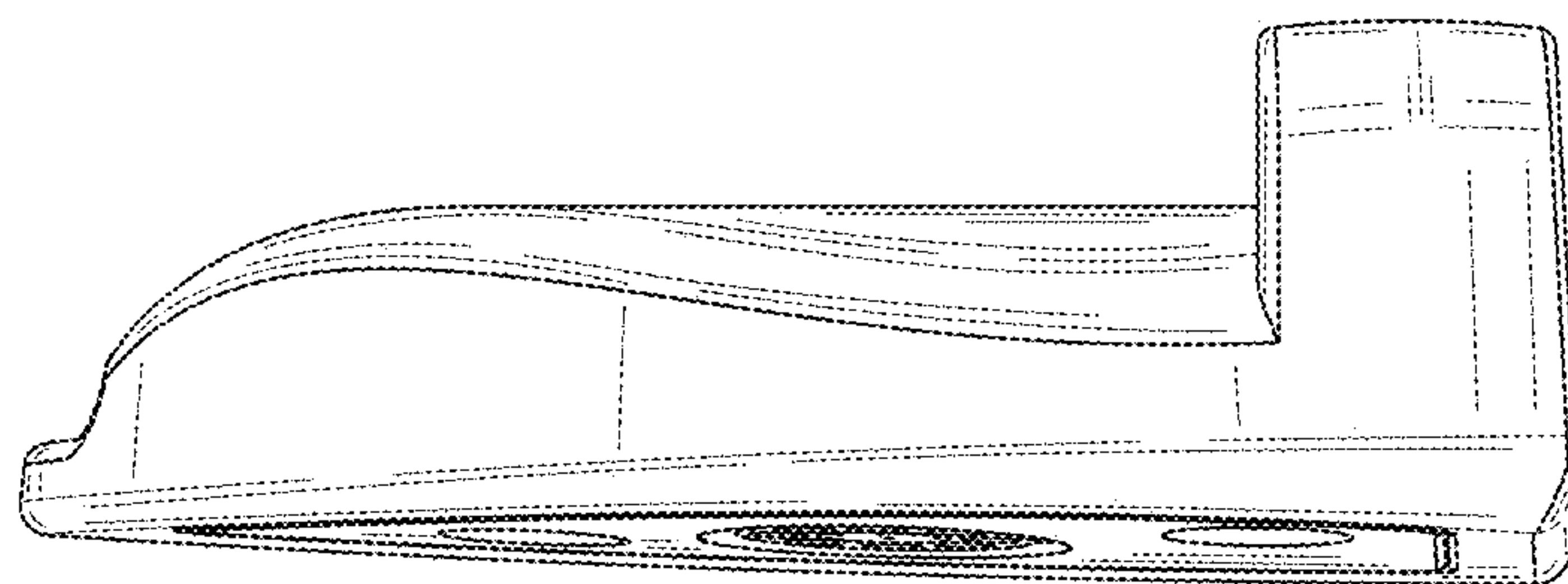


FIG. 8

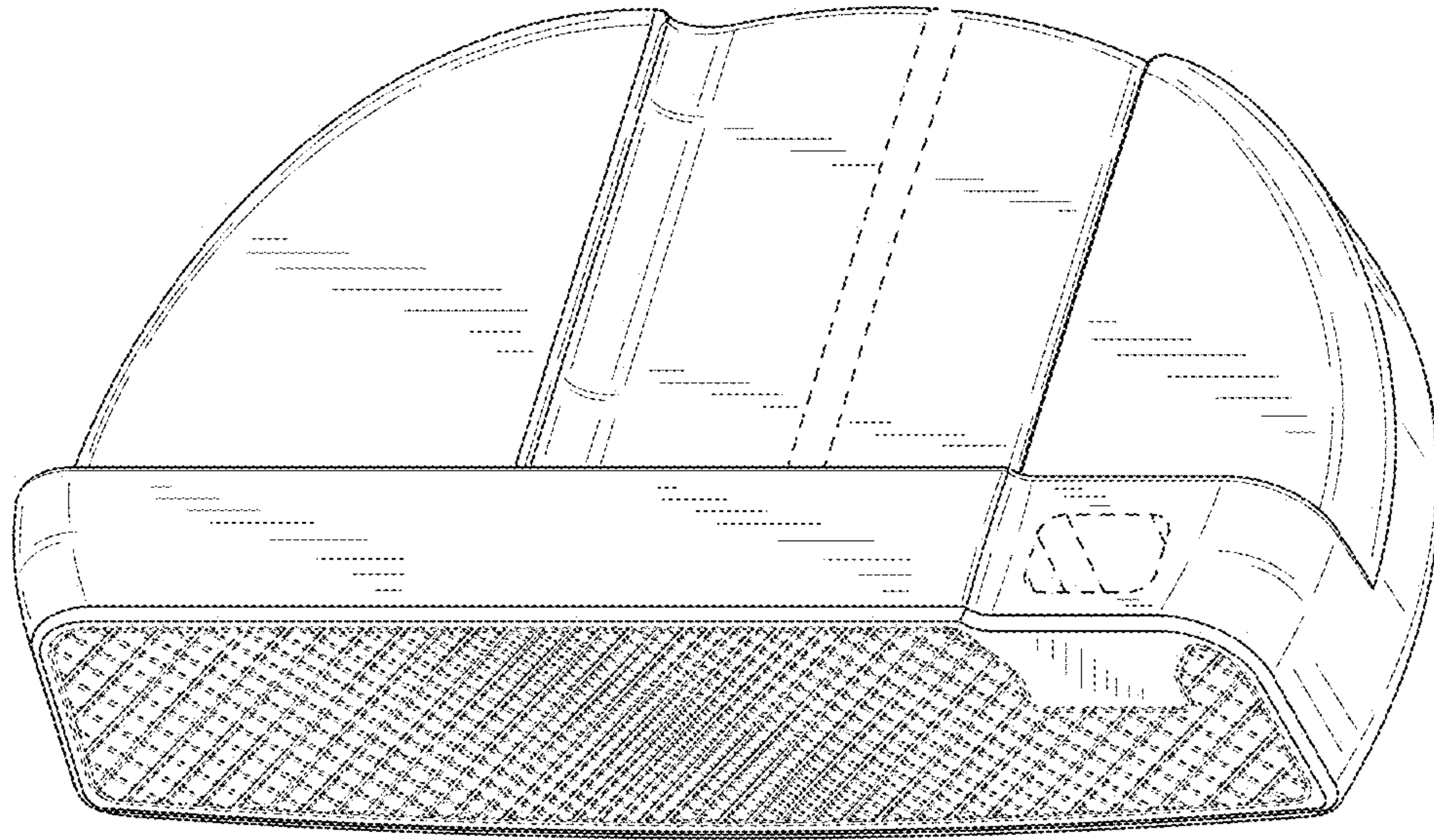


FIG. 9

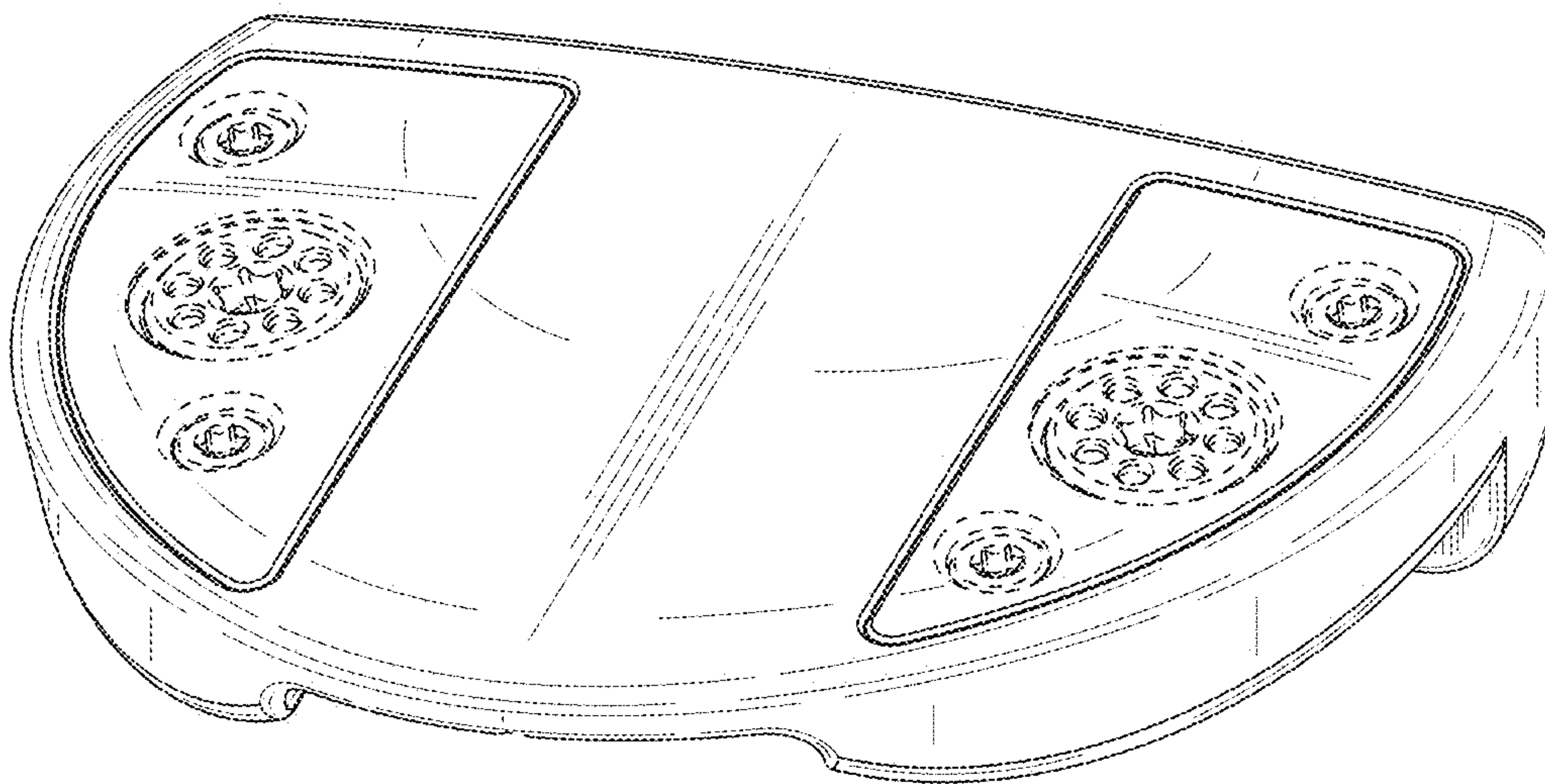


FIG. 10

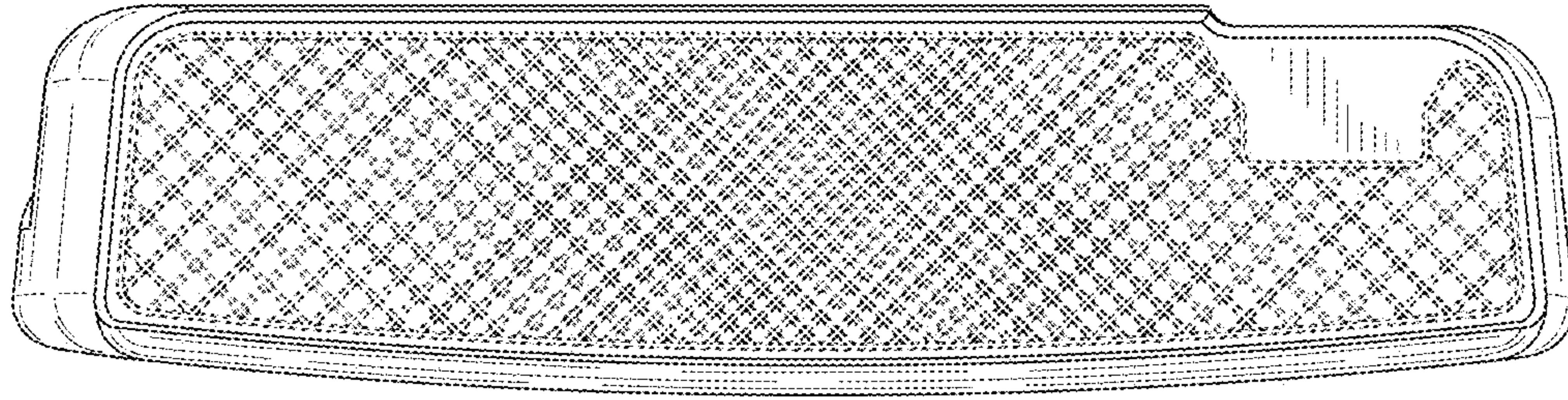


FIG. 11

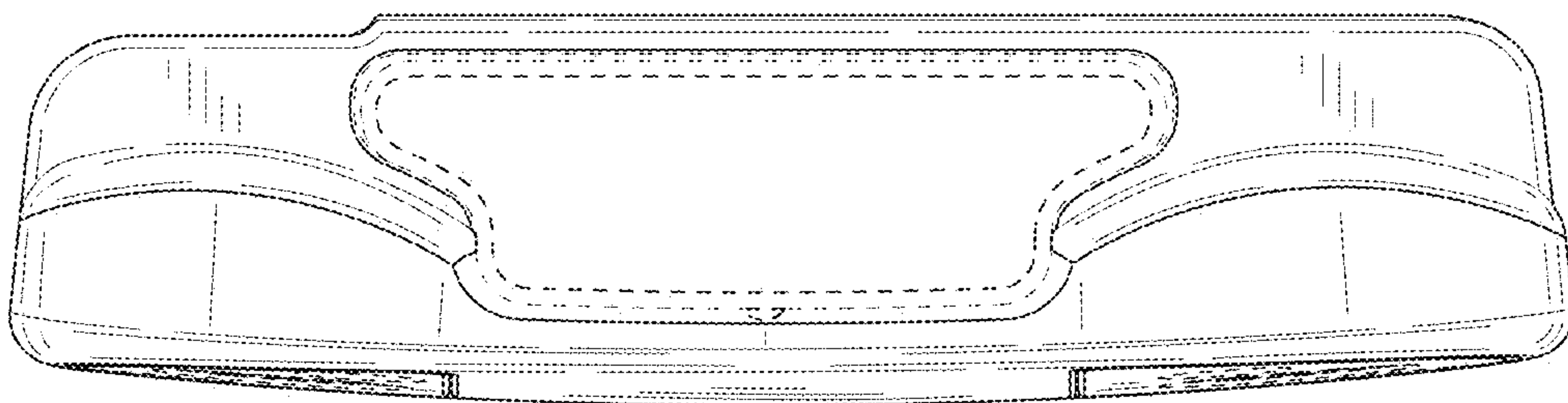


FIG. 12

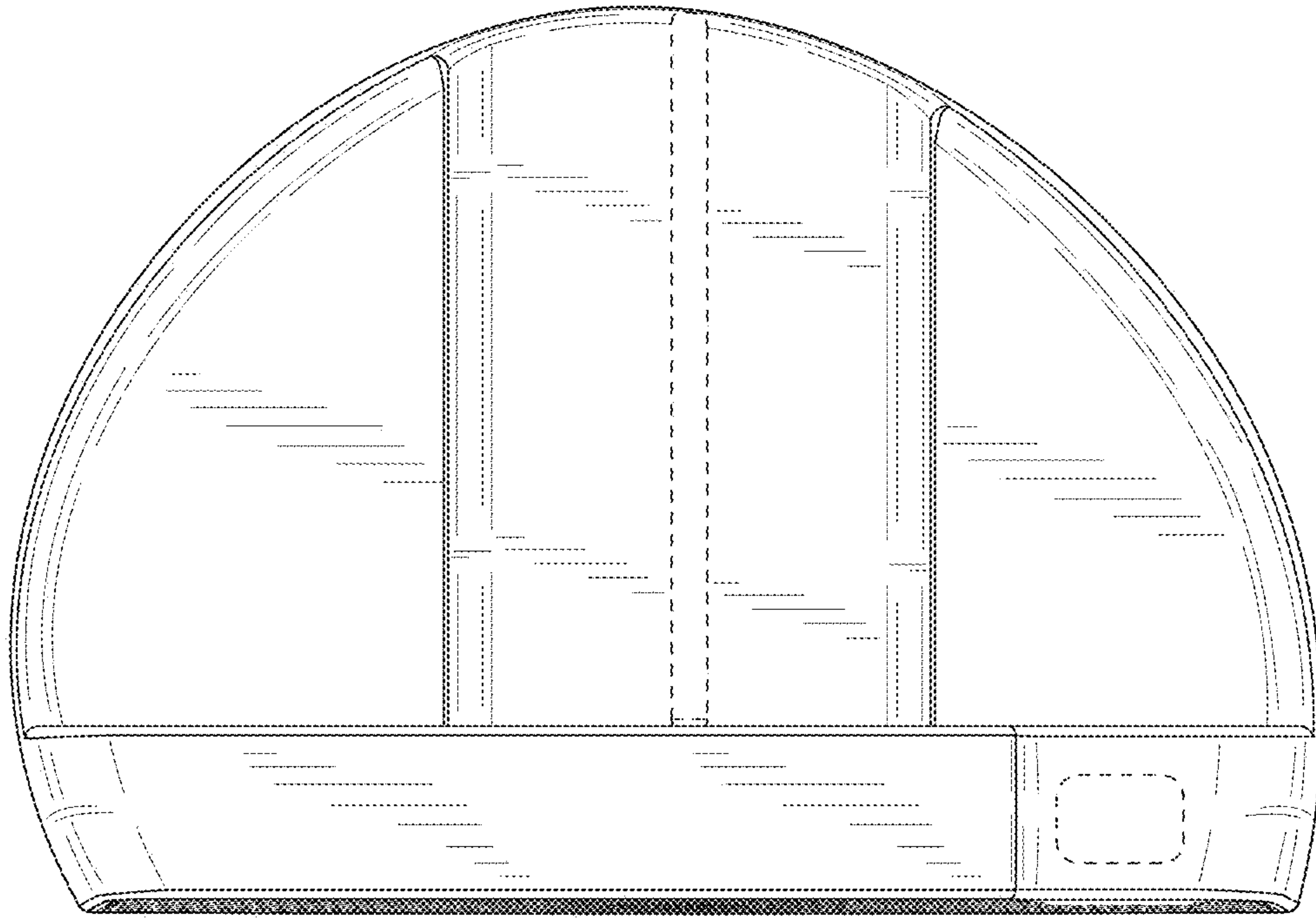


FIG. 13

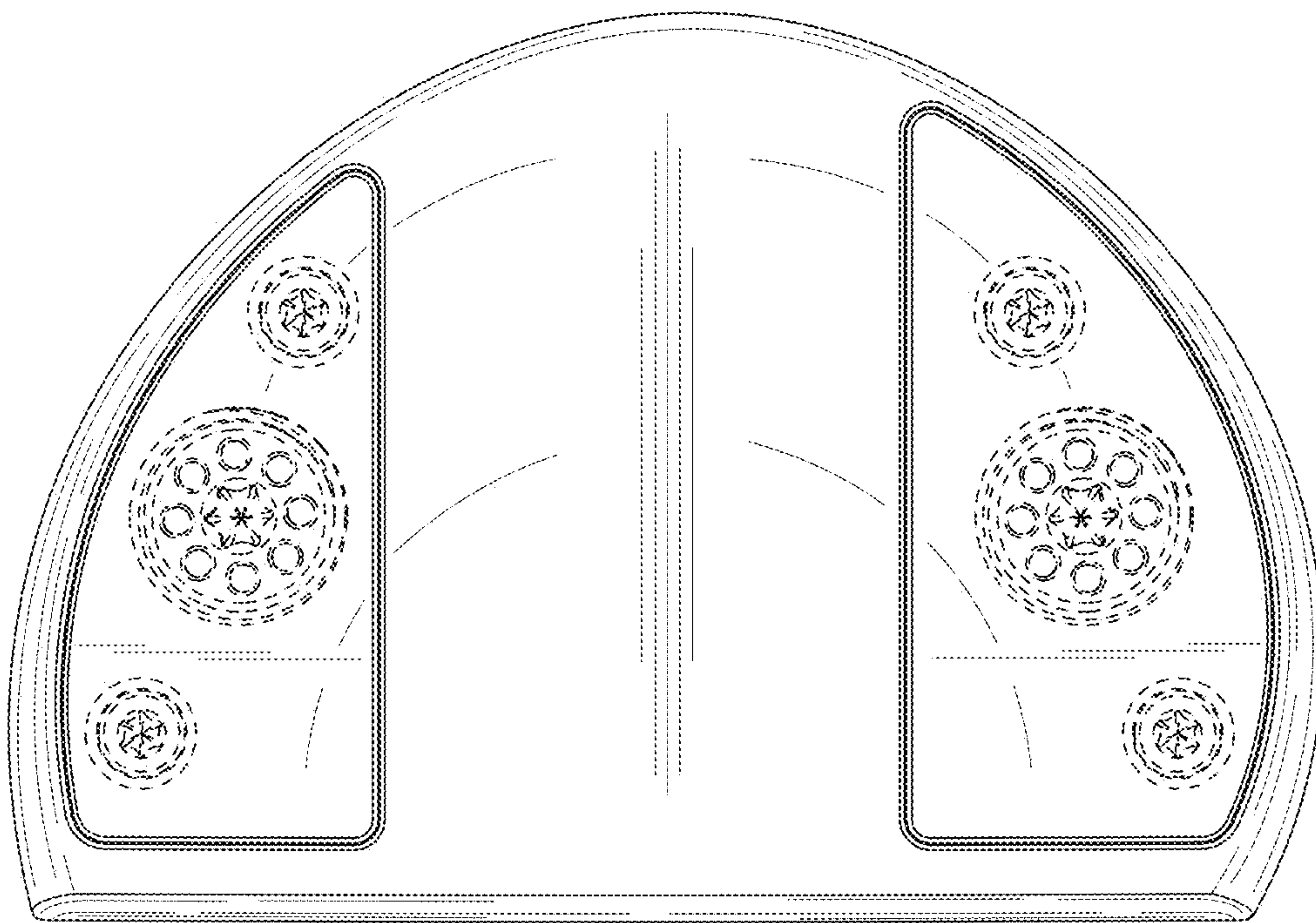


FIG. 14

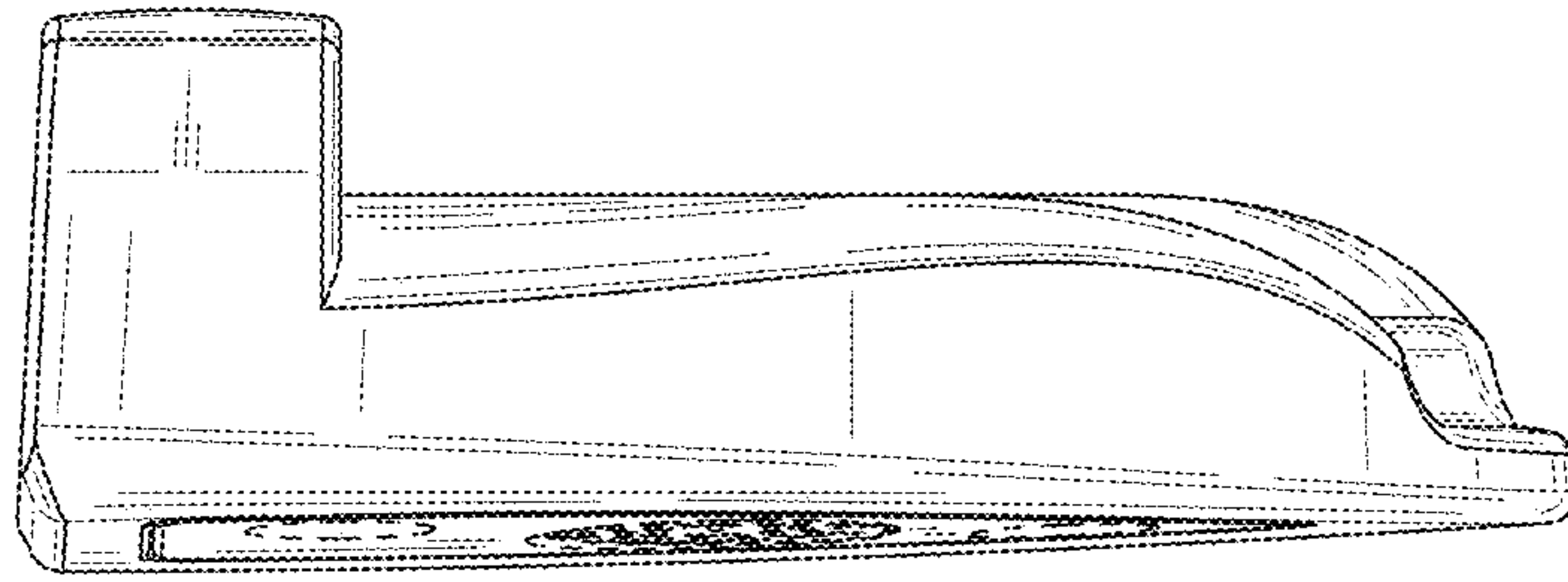


FIG. 15

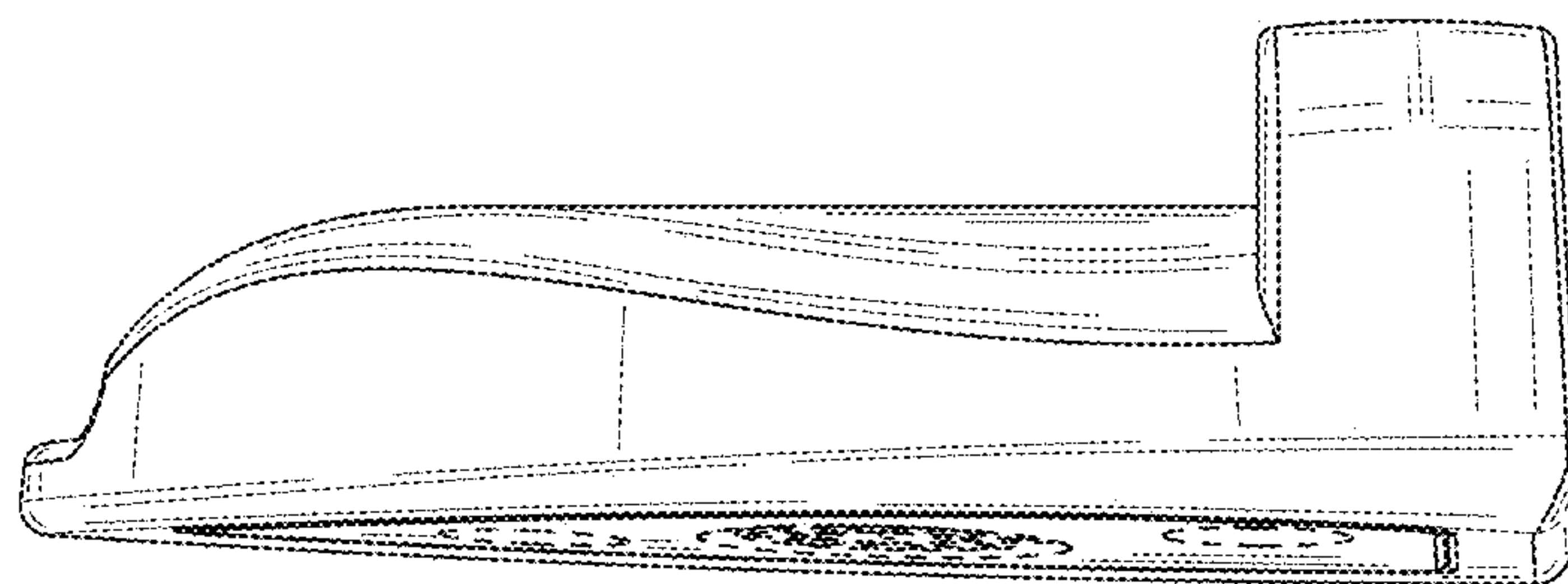


FIG. 16

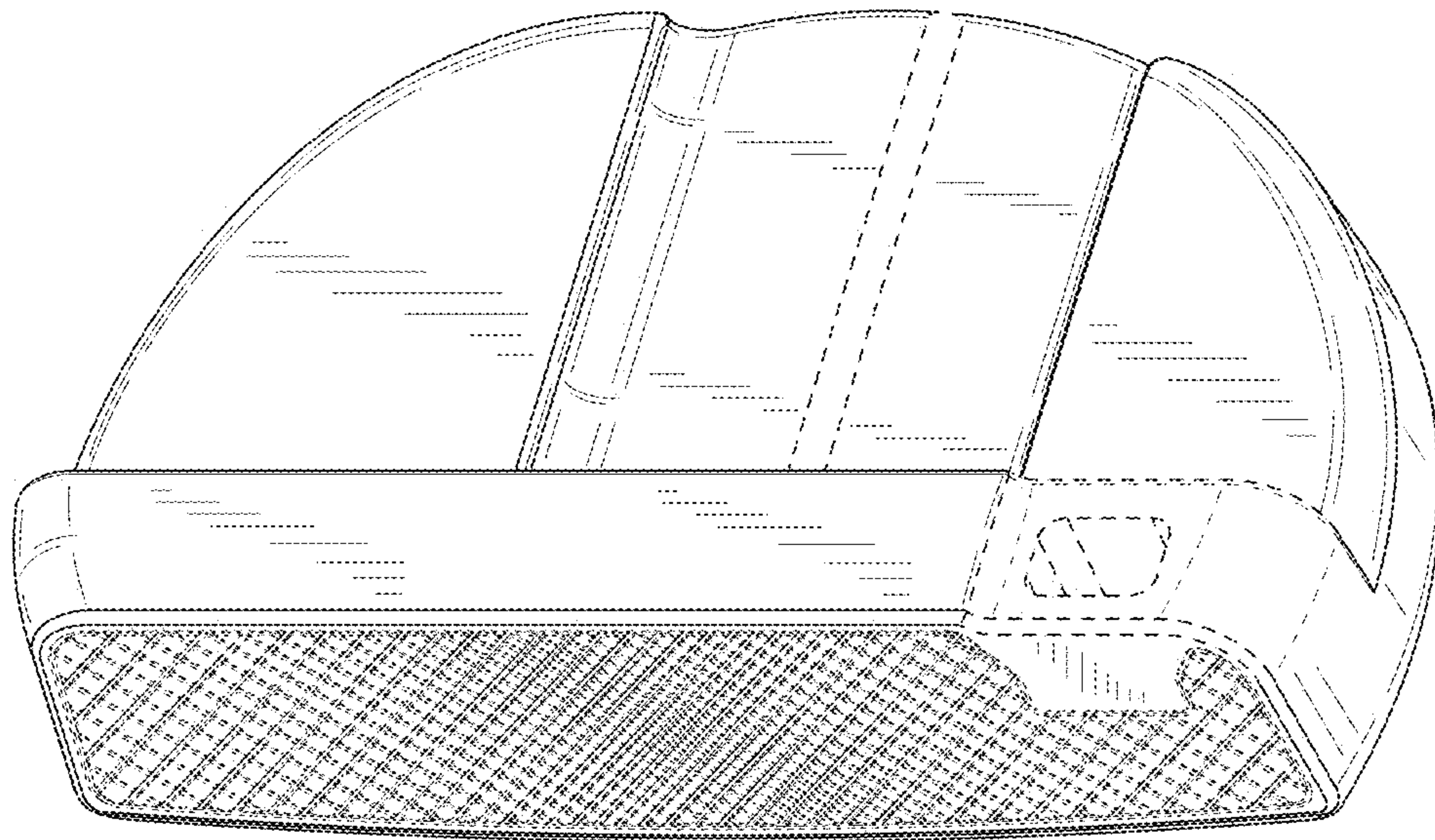


FIG. 17

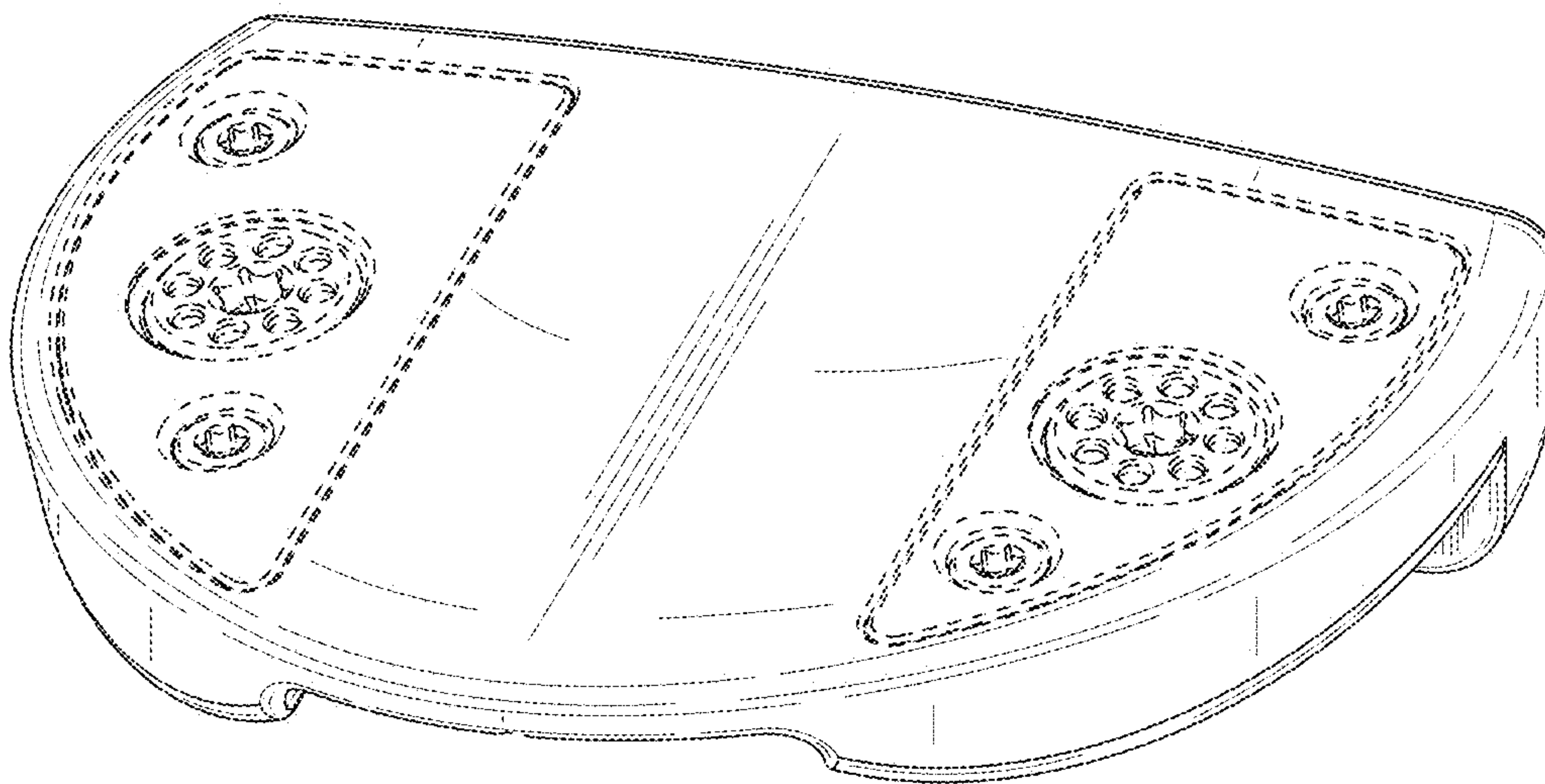


FIG. 18

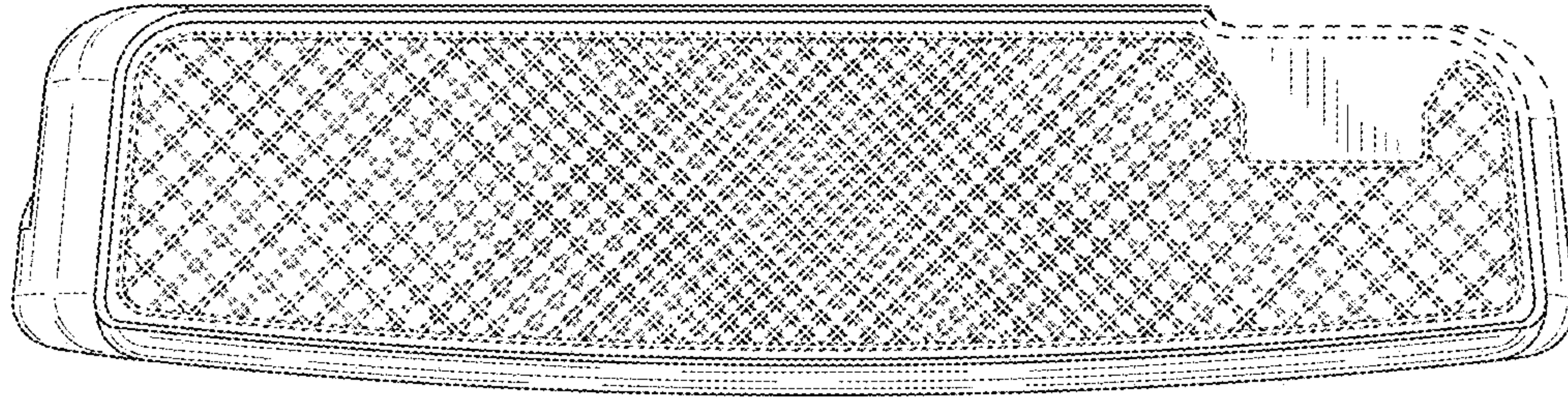


FIG. 19

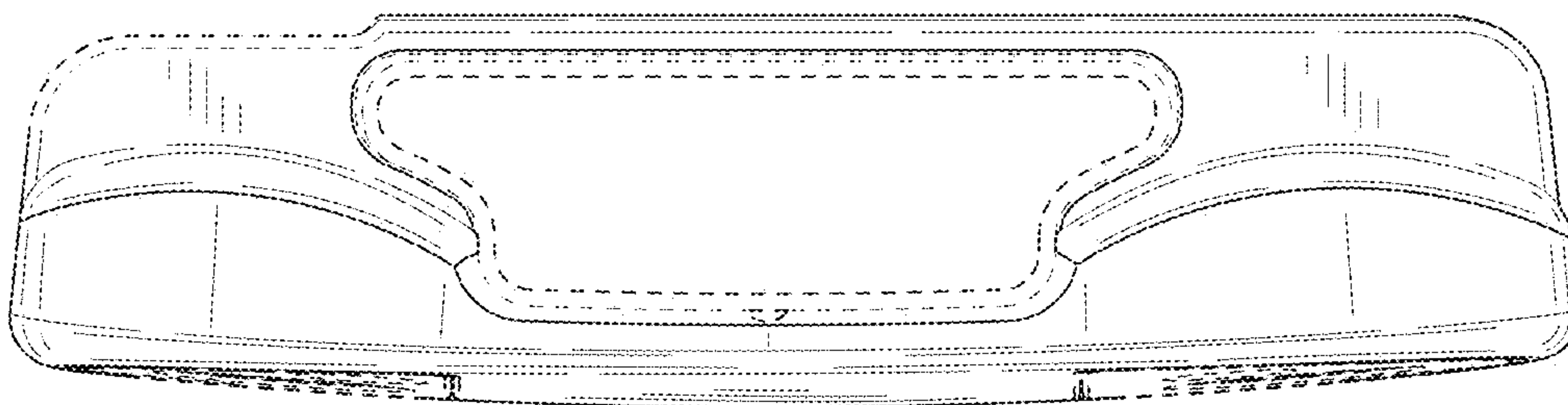


FIG. 20

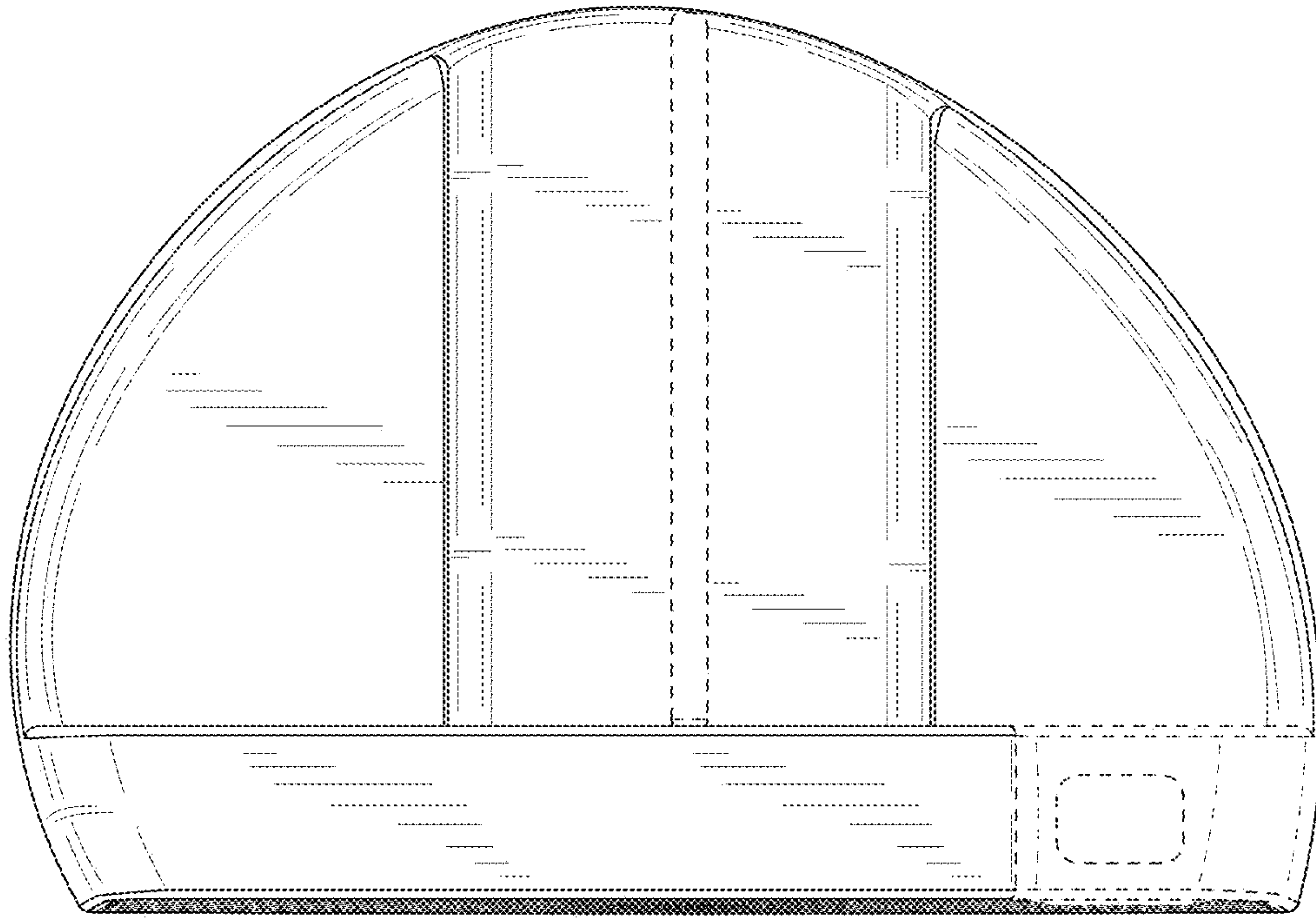


FIG. 21

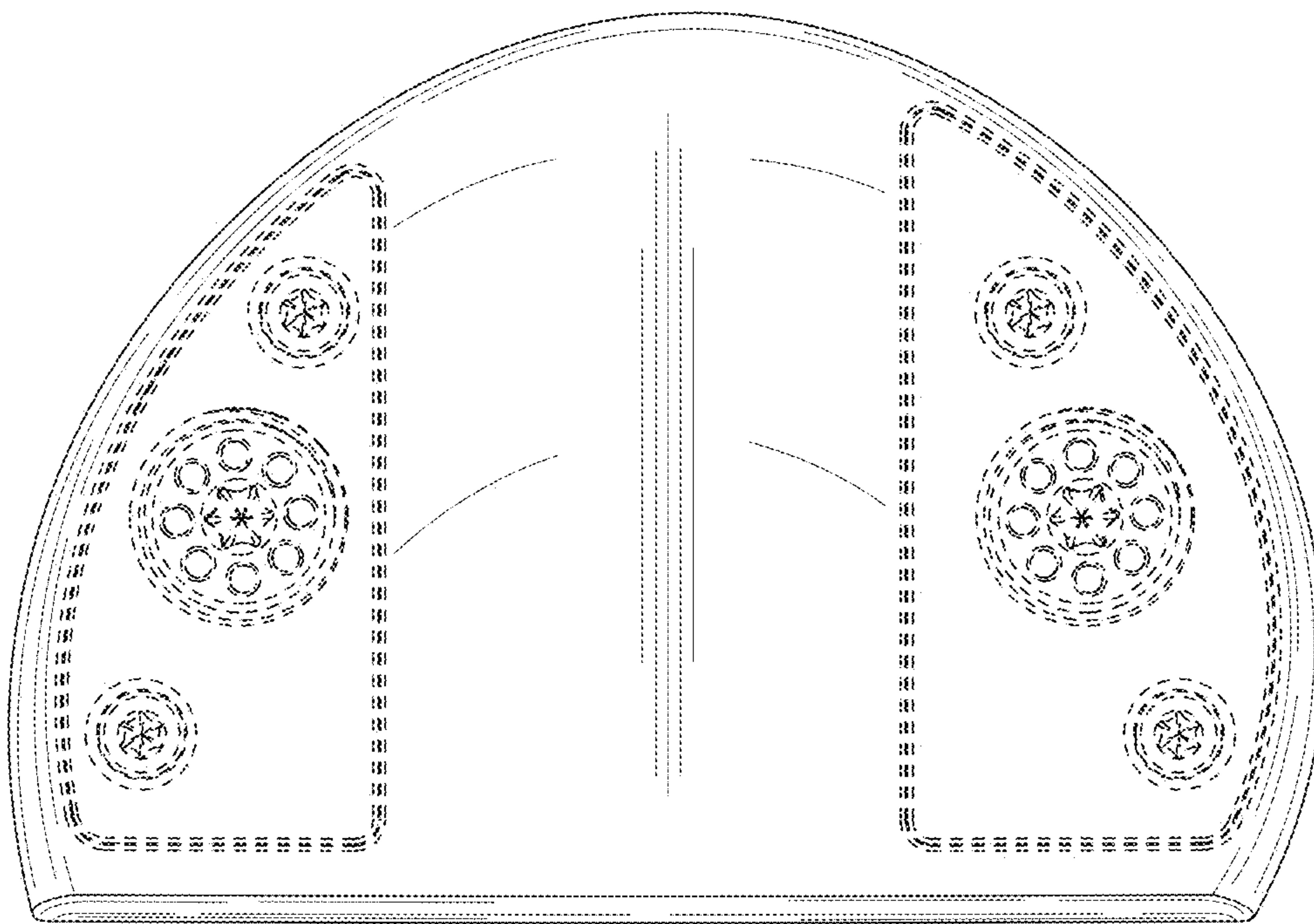


FIG. 22

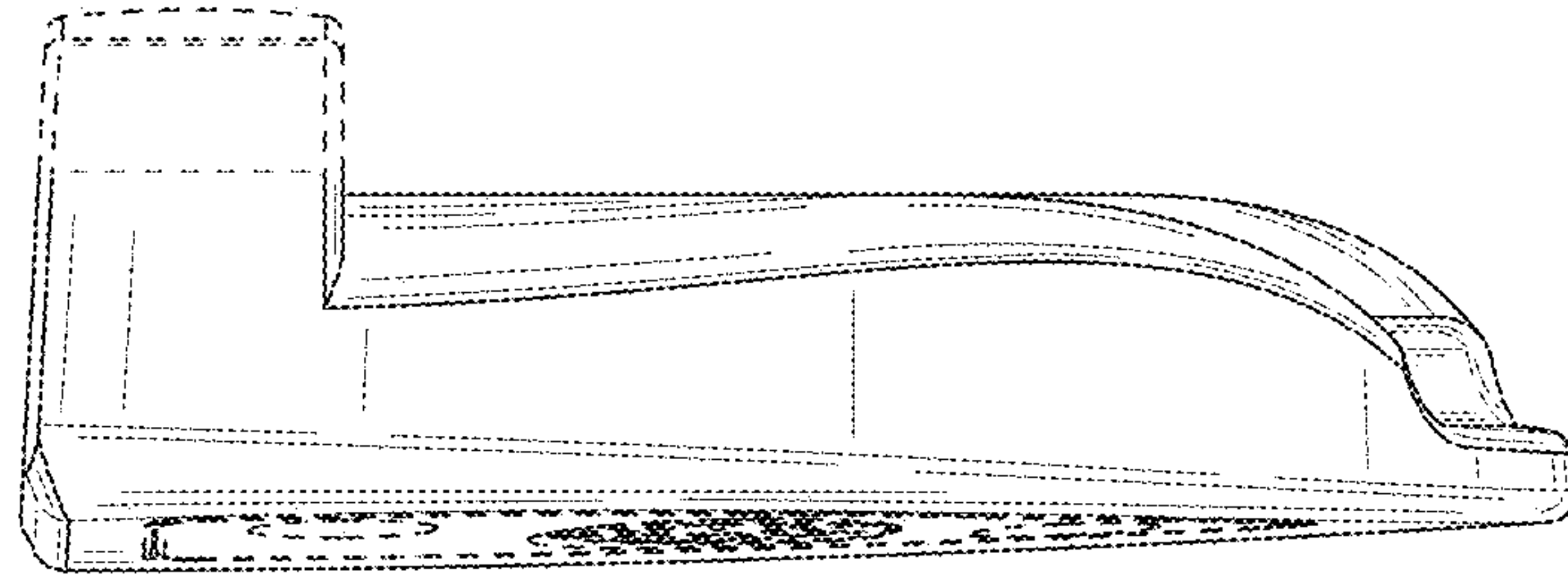


FIG. 23

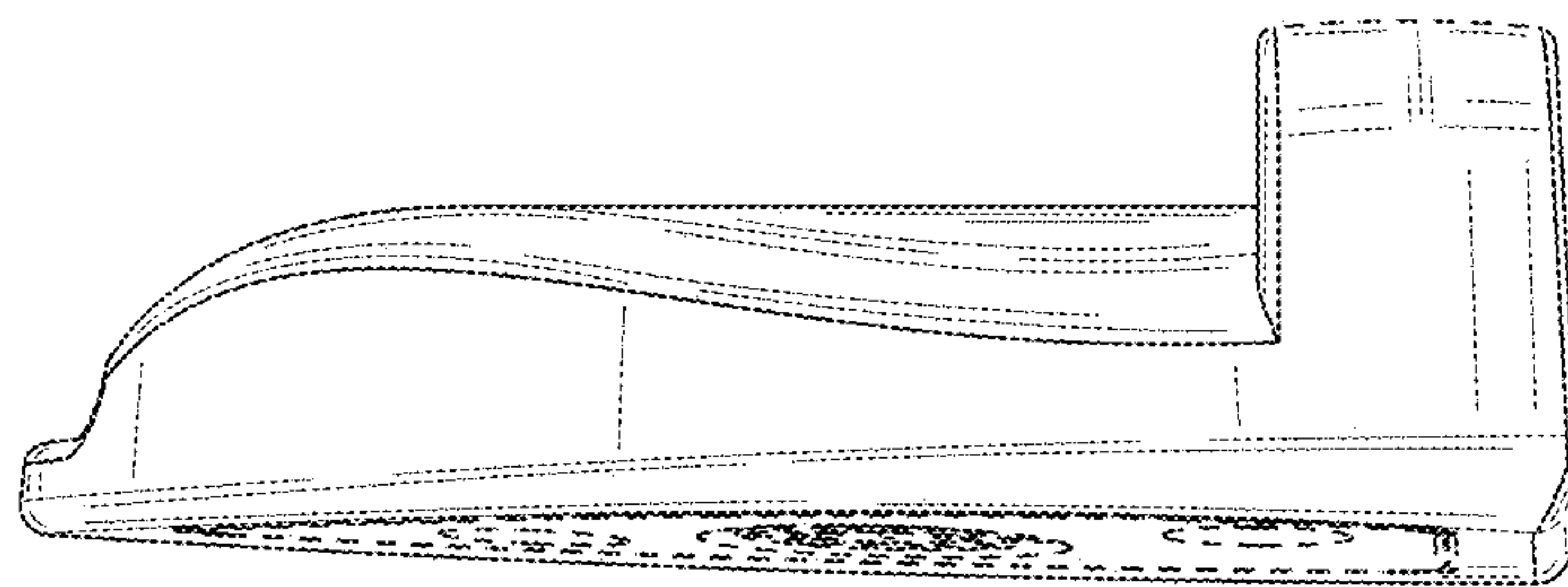


FIG. 24