



US00D973798S

(12) **United States Design Patent**
Hebron et al.

(10) **Patent No.:** **US D973,798 S**

(45) **Date of Patent:** **** Dec. 27, 2022**

(54) **PUTTER**

(71) Applicants: **Michael Patrick Hebron**, Saint James, NY (US); **John Ortega**, Costa Mesa, CA (US)

(72) Inventors: **Michael Patrick Hebron**, Saint James, NY (US); **John Ortega**, Costa Mesa, CA (US)

(**) Term: **15 Years**

(21) Appl. No.: **29/756,726**

(22) Filed: **Oct. 30, 2020**

(51) **LOC (13) Cl.** **21-02**

(52) **U.S. Cl.**
USPC **D21/736**

(58) **Field of Classification Search**
USPC D21/736-746, 759
CPC A63B 53/00; A63B 53/04; A63B 53/007;
A63B 53/065; A63B 53/0487; A63B
60/00; A63B 60/46

See application file for complete search history.

(56) **References Cited**

U.S. PATENT DOCUMENTS

D306,629 S *	3/1990	Shearer	D21/745
D314,031 S *	1/1991	Iinuma	D21/739
4,984,799 A *	1/1991	Finney	A63B 53/0487 473/341
4,995,612 A *	2/1991	Finney	A63B 53/0487 473/341
4,999,000 A *	3/1991	Finney	A63B 53/0487 473/341

5,060,950 A *	10/1991	Finney	A63B 53/0487 473/341
D441,041 S *	4/2001	Opie	D21/743
6,379,259 B1 *	4/2002	Opie	A63B 53/0487 473/340
D514,180 S *	1/2006	Fain	D21/736
D518,124 S *	3/2006	Fain	D21/736
D518,125 S *	3/2006	Fain	D21/736

FOREIGN PATENT DOCUMENTS

KR 1944940 B1 * 4/2019 A63B 53/0487

* cited by examiner

Primary Examiner — Mitchell I. Siegel

(74) *Attorney, Agent, or Firm* — Taytor English Duma LLP

(57) **CLAIM**

We claim the ornamental design for a putter, as shown and described.

DESCRIPTION

FIG. 1 is a front, top, left perspective view of the claimed design.

FIG. 2 is a front view of the claimed design.

FIG. 3 is a rear view of the claimed design

FIG. 4 is a left side view of the claimed design.

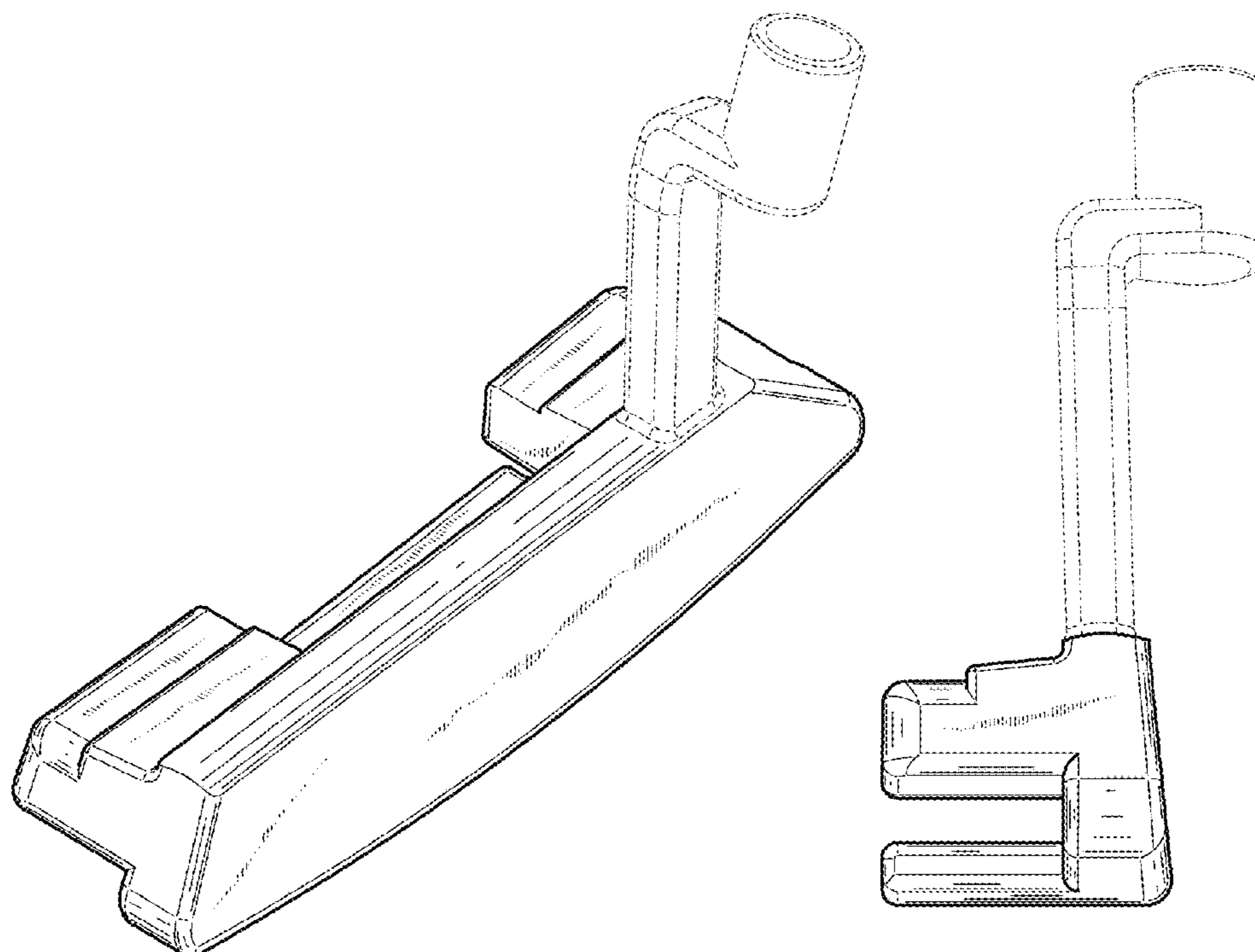
FIG. 5 is a right side view of the claimed design.

FIG. 6 is a top view of the claimed design; and,

FIG. 7 is a bottom view of the claimed design.

The broken lines shown on the drawing disclosure form no part of the claimed design.

1 Claim, 6 Drawing Sheets



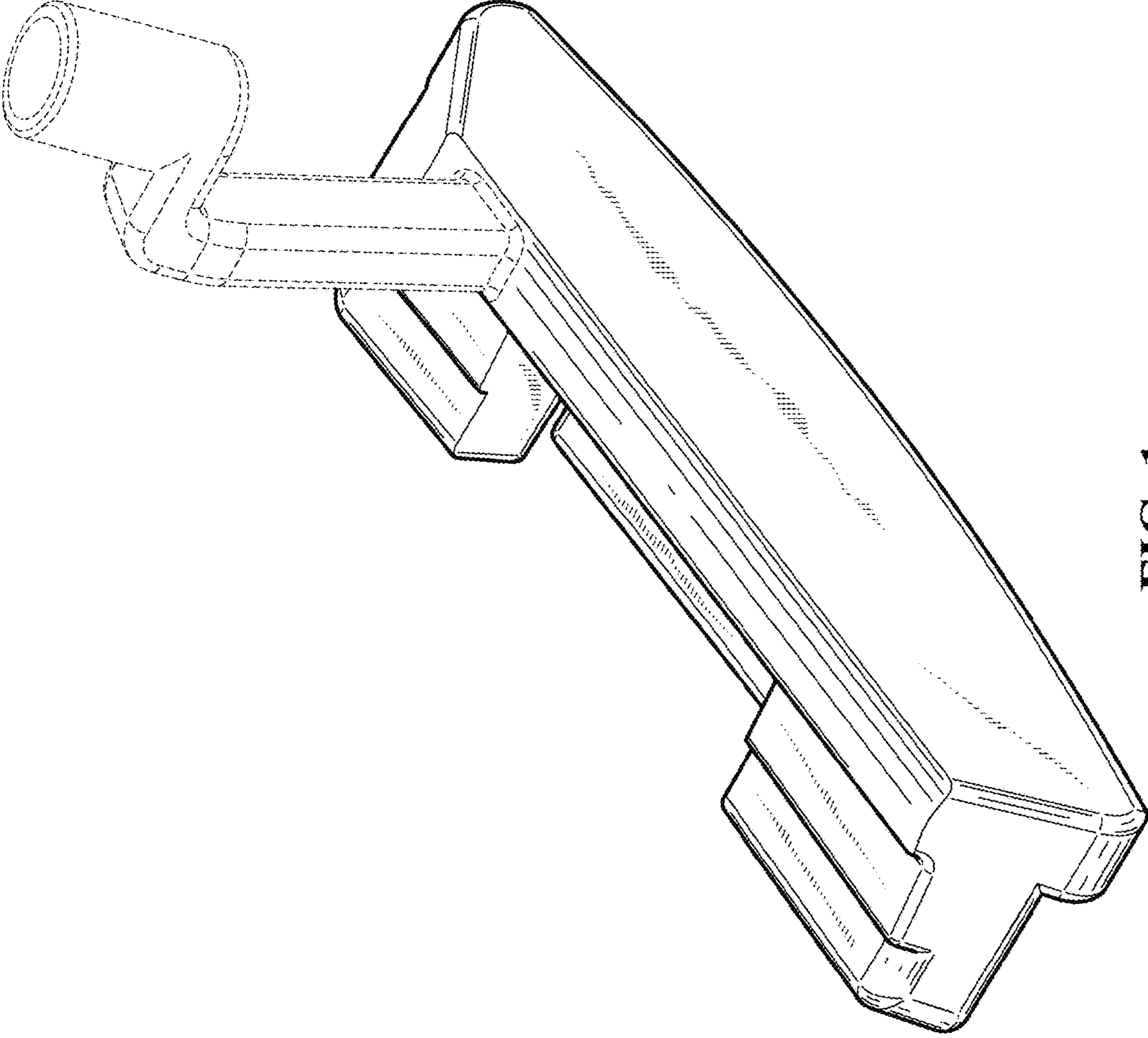


FIG. 1

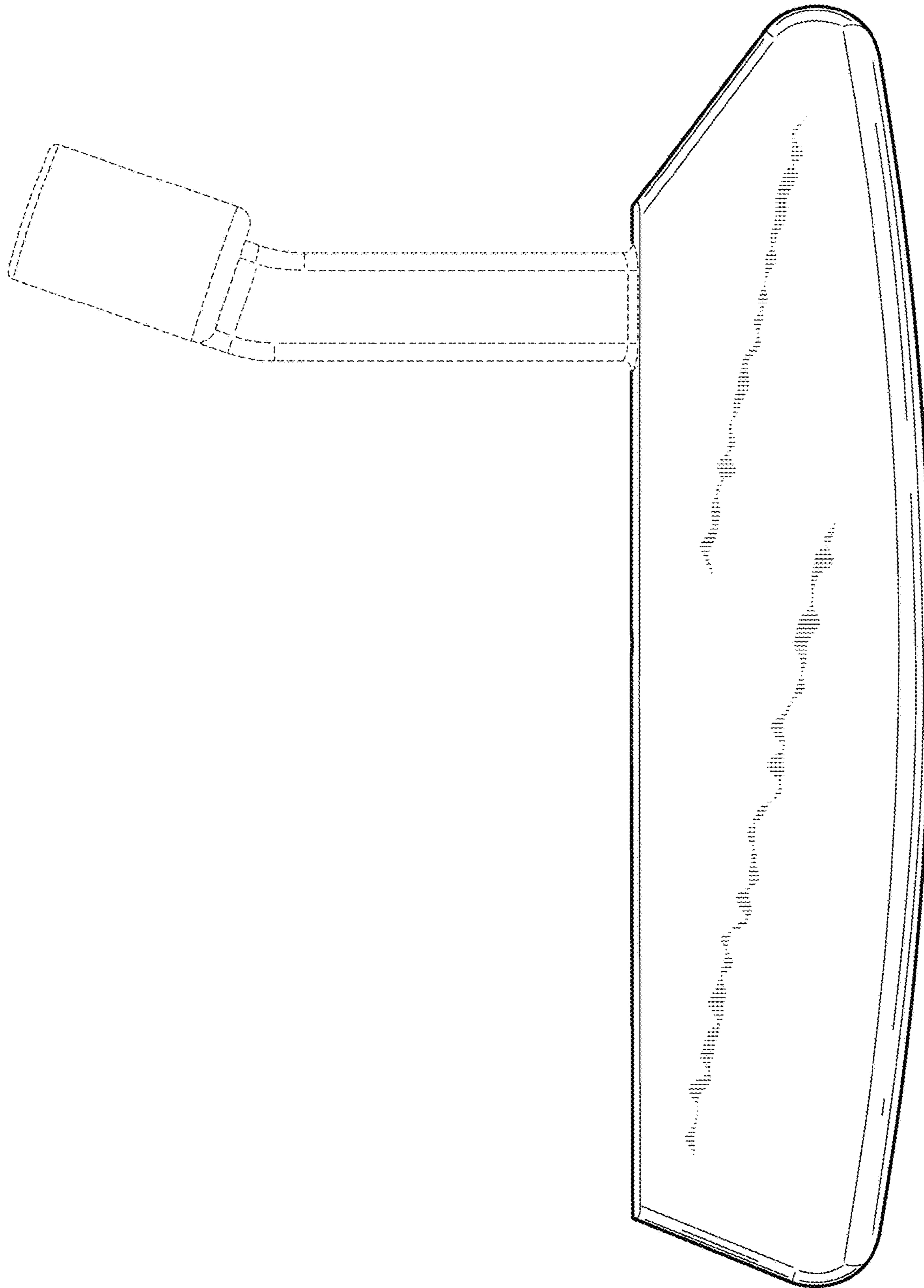


FIG. 2

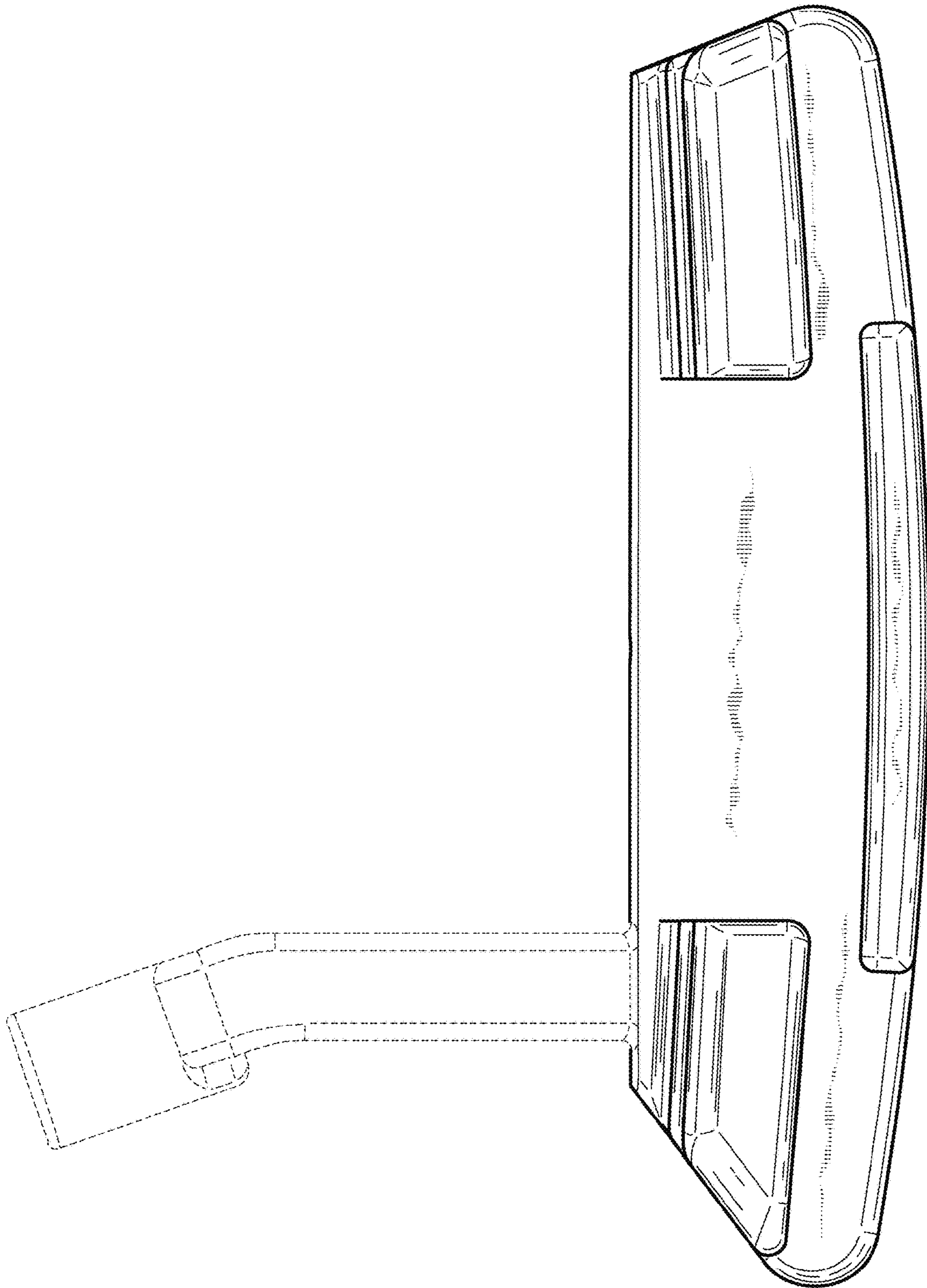


FIG. 3

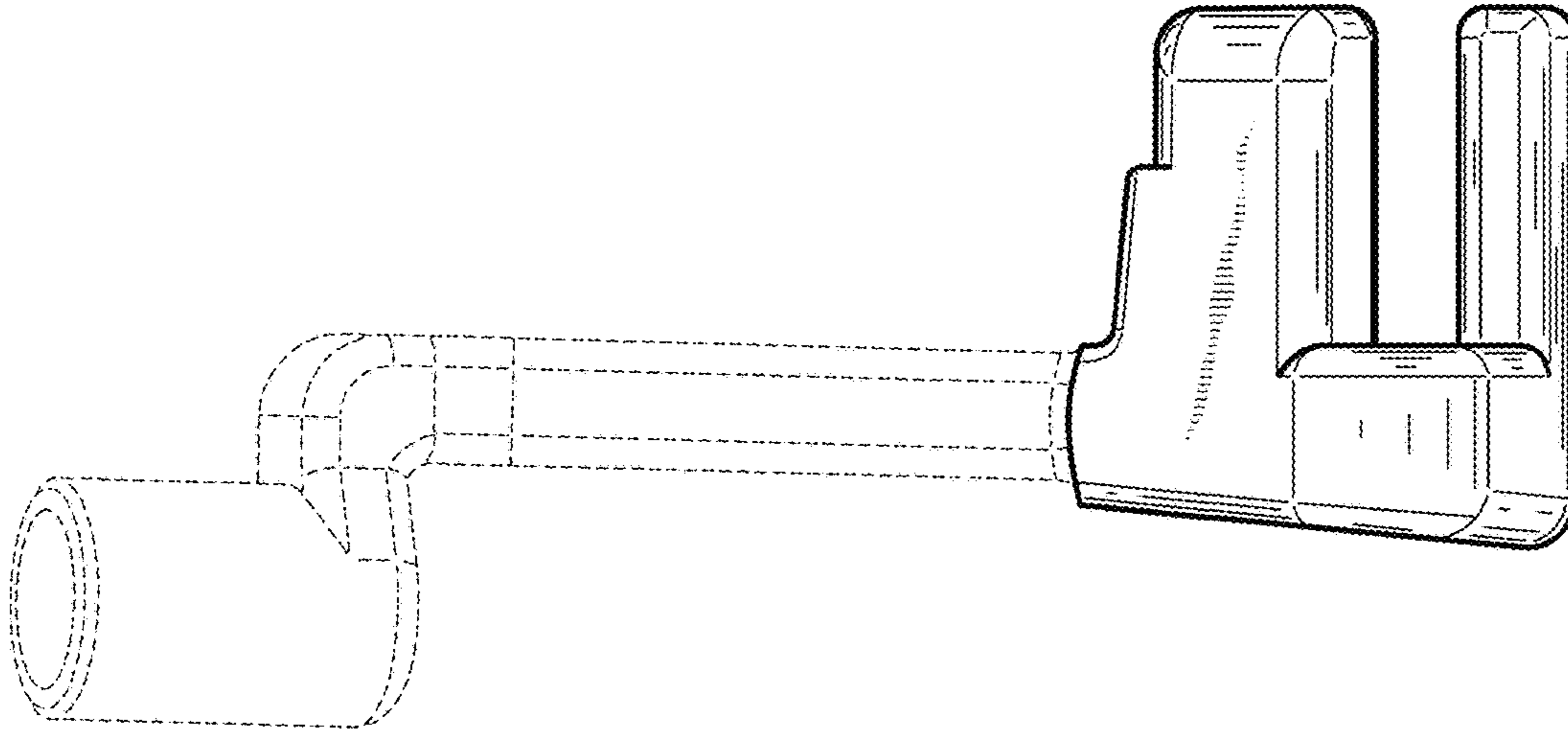


FIG. 4

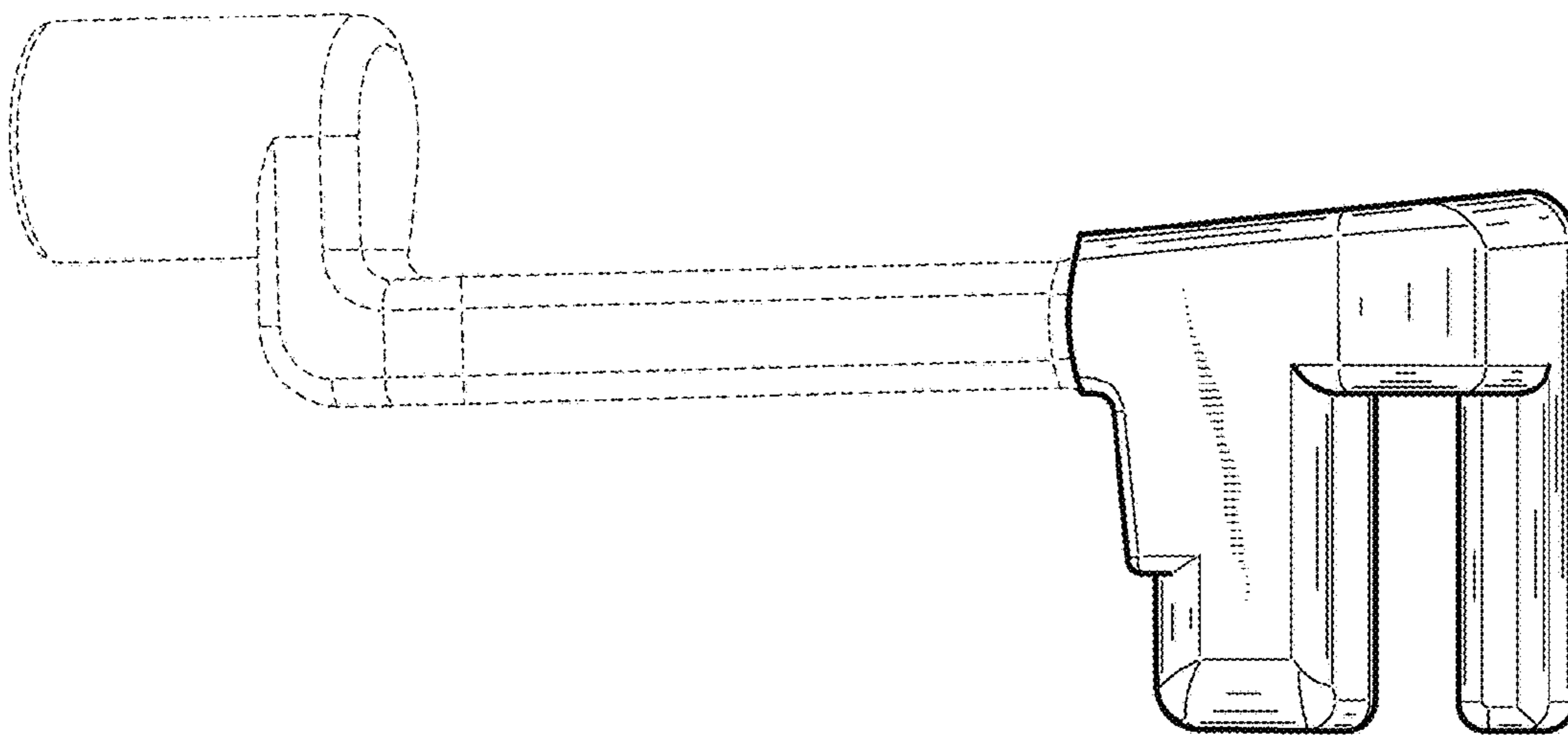


FIG. 5

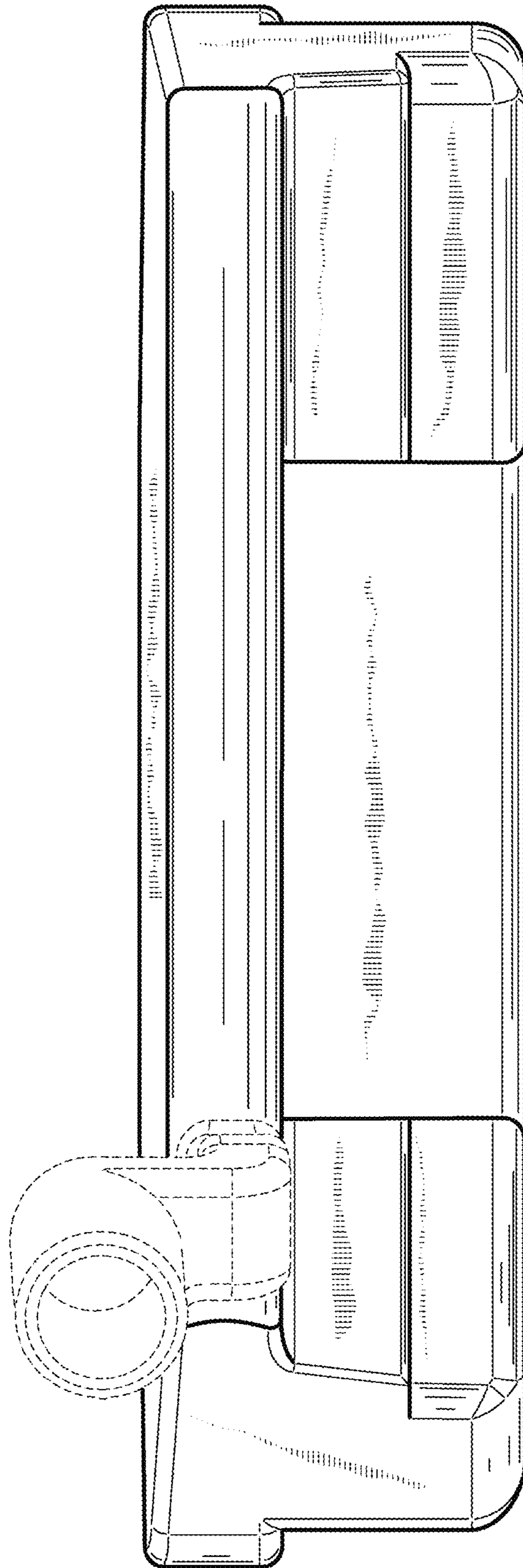


FIG. 6

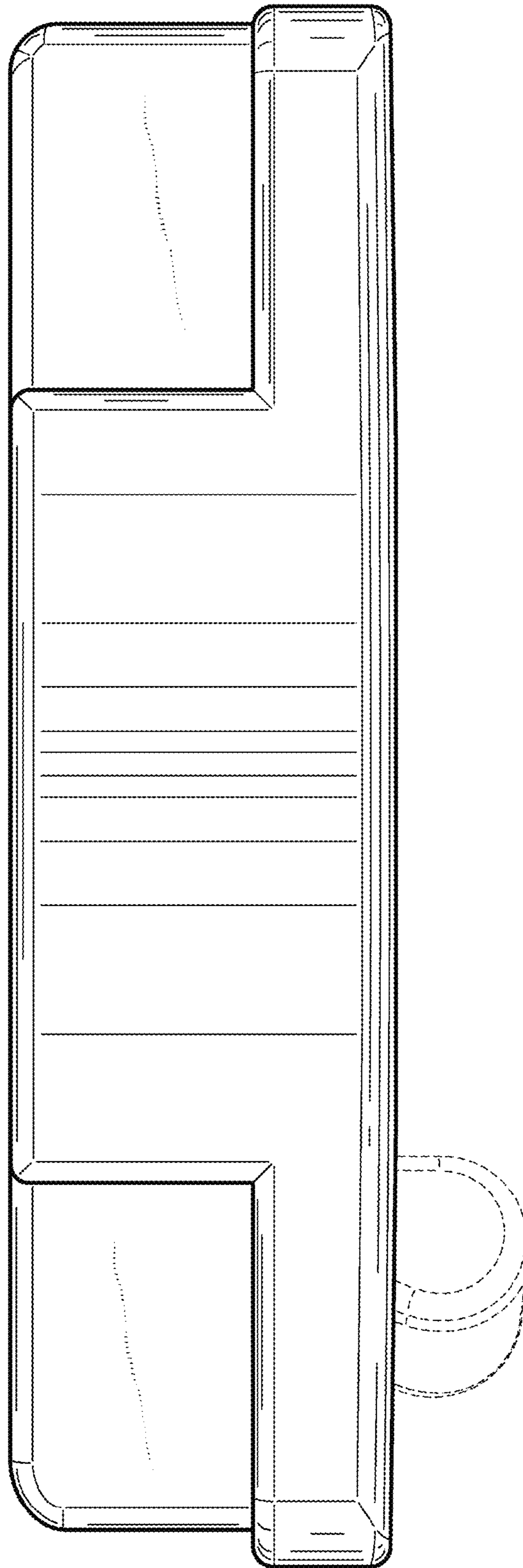


FIG. 7