



US00D973796S

(12) **United States Design Patent**
Googasian

(10) **Patent No.:** **US D973,796 S**
(45) **Date of Patent:** **** Dec. 27, 2022**

(54) **HOCKEY SKILL GAME**

FOREIGN PATENT DOCUMENTS

(71) Applicant: **Tuq Tilt, LLC**, Bloomfield Hills, MI (US)

WO 2019095074 A1 5/2019

(72) Inventor: **Dean Googasian**, Bloomfield Township, MI (US)

OTHER PUBLICATIONS

(73) Assignee: **Tuq Tilt, LLC**, Bloomfield Hills, MI (US)

The Skill Nets. Date uploaded: May 10, 2020. Retrieved from internet: < The best Must have hockey goals for home training—The Skill Nets!> [site visited Feb. 10, 2022] (Year: 2020).*

(Continued)

(**) Term: **15 Years**

Primary Examiner — Katherine Glennon

(21) Appl. No.: **29/755,903**

Assistant Examiner — Yuan Yuan

(22) Filed: **Oct. 23, 2020**

(74) *Attorney, Agent, or Firm* — Young Basile Hanlon & MacFarlane, P.C.

(51) **LOC (13) Cl.** **21-02**

(57) **CLAIM**

(52) **U.S. Cl.**
USPC **D21/702**

The ornamental design for a hockey skill game, as shown and described.

(58) **Field of Classification Search**

DESCRIPTION

USPC D21/301, 302, 698, 699, 715, 727, 305, D21/318, 314, 312, 321, 334, 335, 338, D21/339, 355, 365, 702
CPC . A63B 2063/005; A63B 63/004; A63B 63/00; A63B 69/0002; A63B 2210/50; A63B 71/04; A63B 69/0024; A63B 69/0026; A63B 2102/22; A63B 2102/24; A63B 2063/001; A63B 2063/002; A63B 2102/14; A63B 69/00; A63B 63/003; A63F 7/06; A63F 7/0632; A63F 7/0636
See application file for complete search history.

FIG. 1 is a right perspective view of a hockey skill game in an assembled position.
FIG. 2 is a front view of FIG. 1.
FIG. 3 is a right side view of FIG. 1.
FIG. 4 is a left side view of FIG. 1.
FIG. 5 is a rear view of FIG. 1.
FIG. 6 is a top view of FIG. 1.
FIG. 7 is a bottom view of FIG. 1; and,
FIG. 8 is right perspective view of FIG. 1 in a disassembled position.

(56) **References Cited**

U.S. PATENT DOCUMENTS

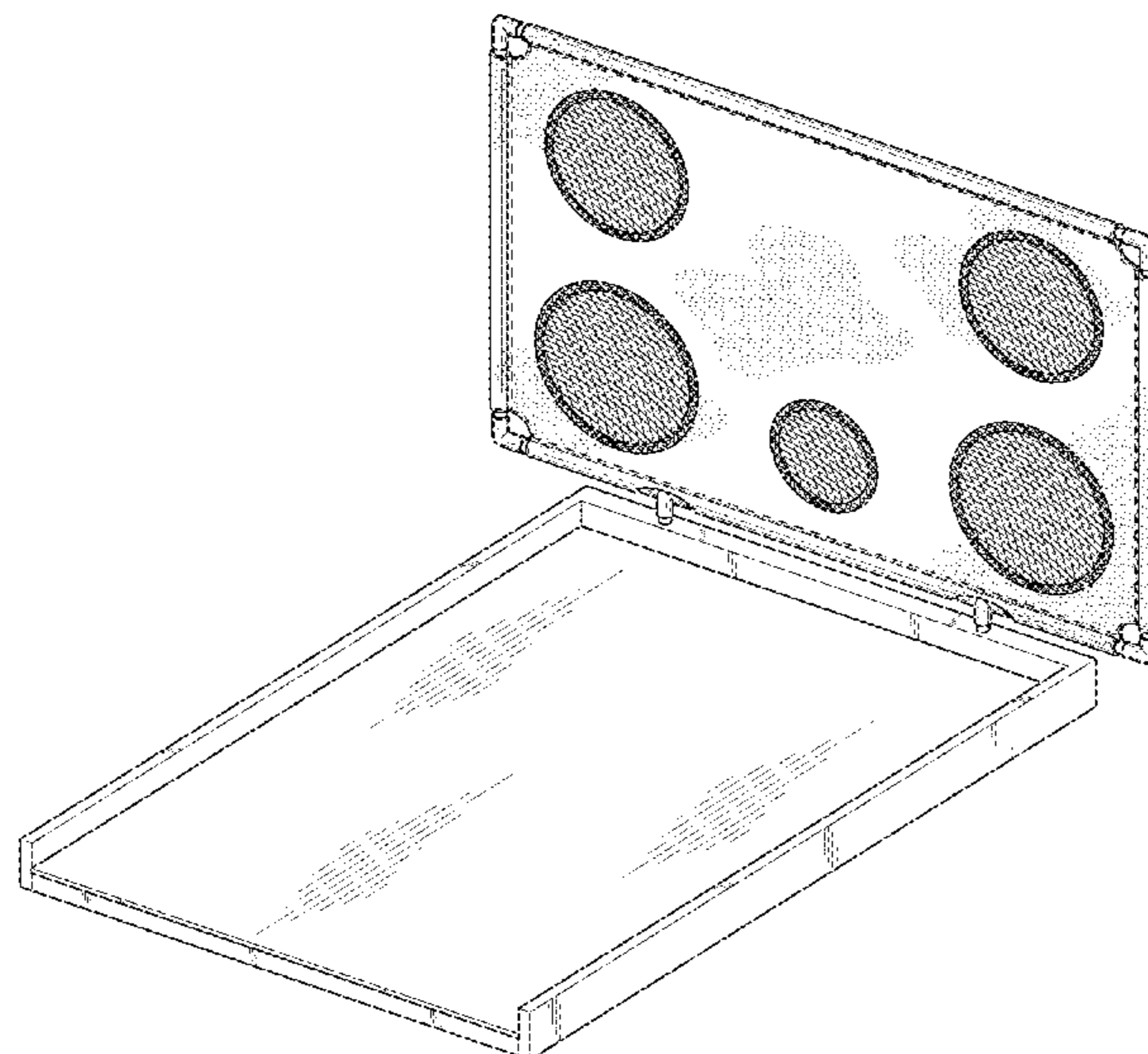
1,954,838 A * 4/1934 Woolsey A63F 7/06 473/439
3,856,298 A 12/1974 Frantti
D239,949 S * 5/1976 Trombetta, Jr. D21/303
D307,616 S * 5/1990 Kelly D21/702
D330,227 S * 10/1992 Franklin D21/303
D401,308 S * 11/1998 D’Emidio D21/303

Differences in line shading and/or stipple shading represent a contrast in appearance from different line shading and/or stipple shading and do not represent any particular color, texture, finish, or material.

The broken lines in FIGS. 1, 2, 5 and 8 depict stitching, which is part of the claimed design. The broken lines in FIG. 7 depict portions of the hockey skill game that form no part of the claimed design.

(Continued)

1 Claim, 8 Drawing Sheets



(56)

References Cited

U.S. PATENT DOCUMENTS

5,882,007 A 3/1999 Gay
 D600,286 S * 9/2009 Pruitt D21/303
 8,678,957 B1 * 3/2014 Essex A63B 71/022
 473/456
 D706,353 S * 6/2014 Montenare D21/303
 D806,172 S 12/2017 Wolters
 10,130,859 B1 * 11/2018 Riley A63B 63/004
 D868,916 S * 12/2019 Engler D21/303
 D868,917 S * 12/2019 Engler D21/303
 D872,181 S * 1/2020 Engler D21/302
 D872,182 S * 1/2020 Engler D21/305
 D873,919 S * 1/2020 Emmerson D21/303
 D877,256 S * 3/2020 Engler D21/303
 D933,132 S * 10/2021 Engler D21/305
 2002/0151387 A1 * 10/2002 Henson A63B 63/00
 473/446
 2008/0252017 A1 * 10/2008 Rowan A63B 63/00
 273/400
 2010/0081513 A1 * 4/2010 La Pointe A63B 69/3623
 473/197
 2011/0074111 A1 * 3/2011 Jackson A63F 9/0204
 273/400
 2011/0224026 A1 * 9/2011 Canedy, Jr. A63B 63/00
 473/434
 2011/0256945 A1 * 10/2011 Hsiang A63B 71/0669
 473/197

2020/0238143 A1 * 7/2020 Howell A63B 67/06
 2021/0236897 A1 * 8/2021 Eanniello A63B 47/00
 2021/0322841 A1 * 10/2021 Lodge A63B 67/06

OTHER PUBLICATIONS

<https://www.snipersedgehockey.com/products/snipers-edge-hockey-shooting-tarp?variant=29916598796363>, Sniper's Edge Hockey Shooting Tarp,, accessed via internet on Oct. 22, 2020.
 Gong Show SAUCEOFF Hockey Cornhole Tailgaiting Game Set, <https://www.gongshowgear.com/products/sauce-off-game-set>, accessed via internet Oct. 22, 2020.
 Sauce Toss Supreme Hockey Game; <https://www.purehockey.com/product/sauce-toss-supreme/itm/35517-1/>; accessed via the internet Oct. 22, 2020.
<https://www.bagtoss.com/puck-hole-game-set?search=puck%20hole&description=true> Sniper's Puck Hole Game, accessed via internet on Oct. 22, 2020.
<https://www.amazon.com/Franklin-Sports-Hockey-Shooting-Target/dp/B002K2UZ6U>, Franklin Sports Hockey Shooting Target, accessed via internet on May 30, 2020.
https://www.gongshowgear.com/products/official-saucer-king-game-set?variant=5405791911977&gclid=Cj0KCQjw28T8BRDbARIsAEOMBcw3ZqyEzpqGzoz1EKQAp3eDRdHf_Jn2vILkvbI90veaO5NBRrvchAaAoUvEALw_wcB; The Saucer King Game Set, accessed via the Internet Oct. 22, 2020.
<https://www.hockeyworld.com/Winnwell-72-Heavy-Duty-Shooting-Target>, Winnwell Target website, accessed via the Internet on Oct. 23, 2020.

* cited by examiner

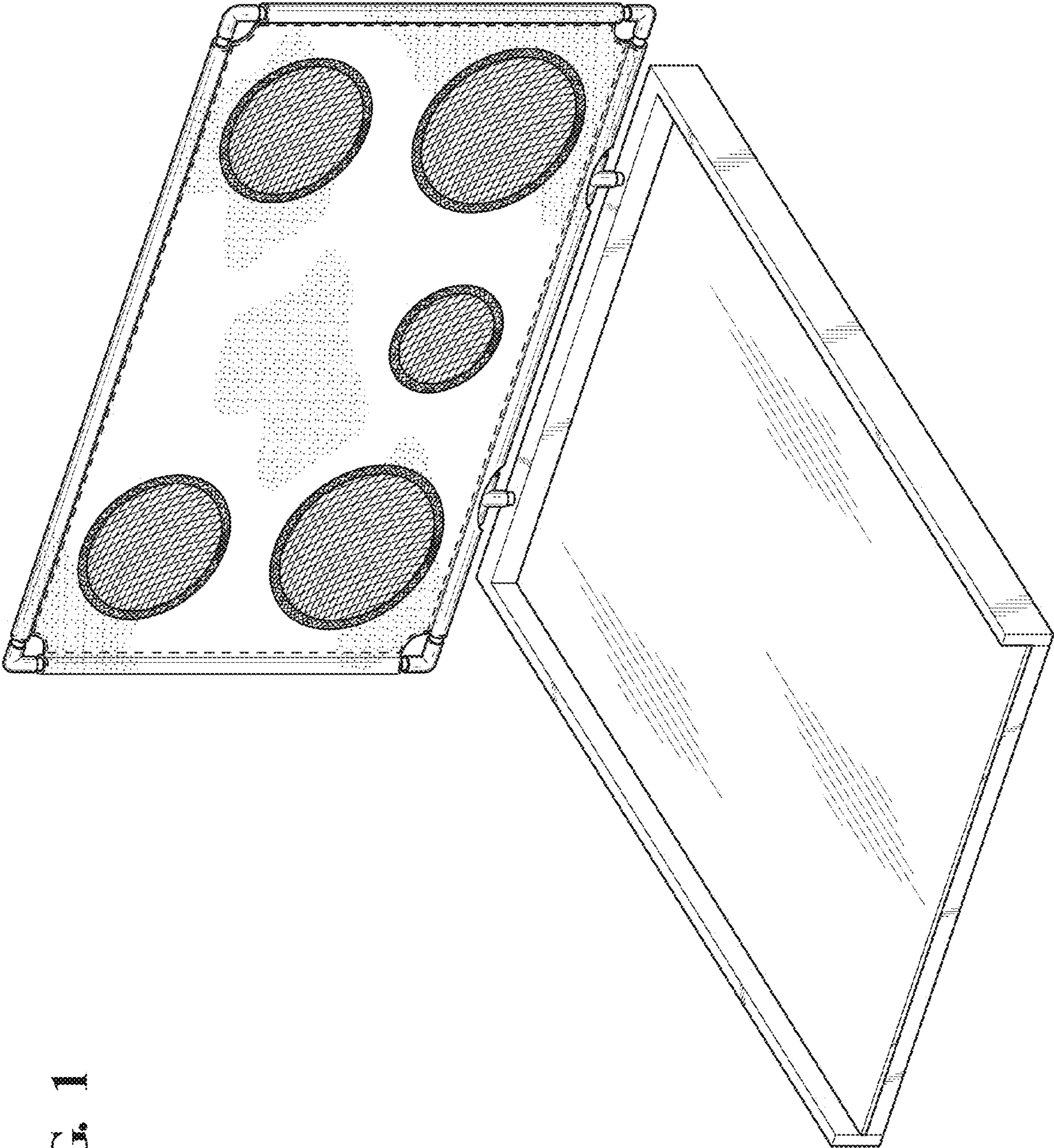


FIG. 1

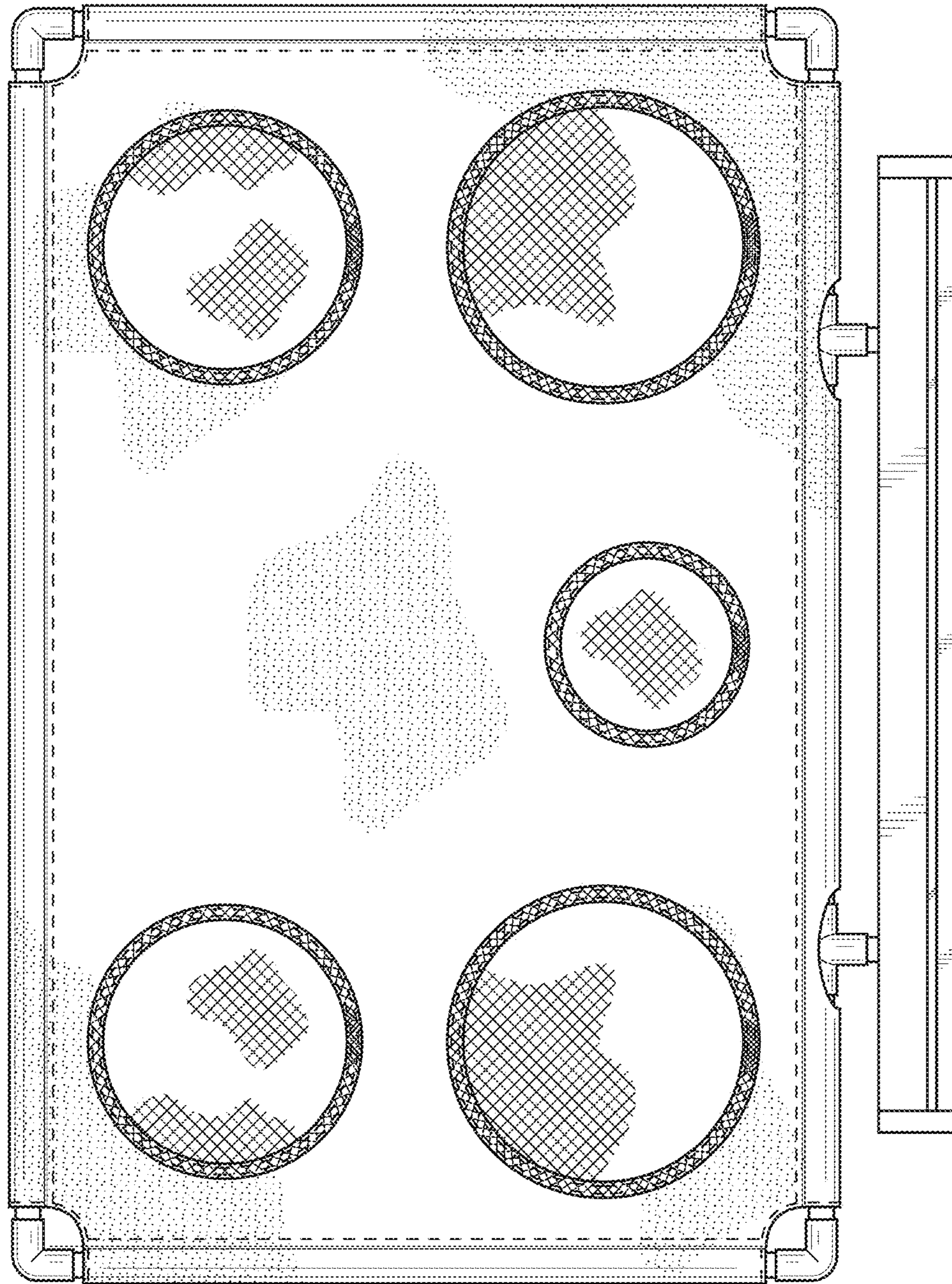


FIG. 2

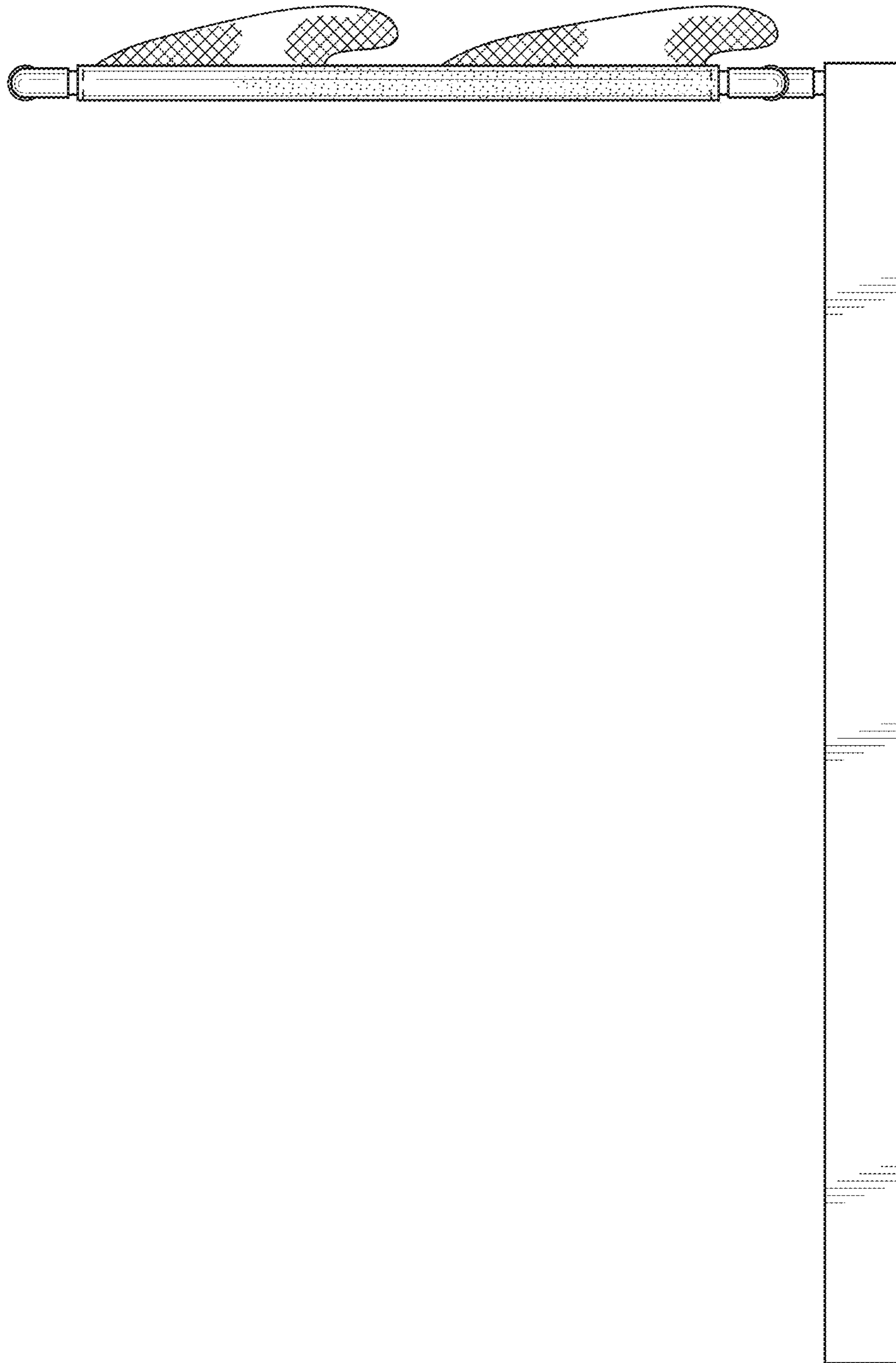
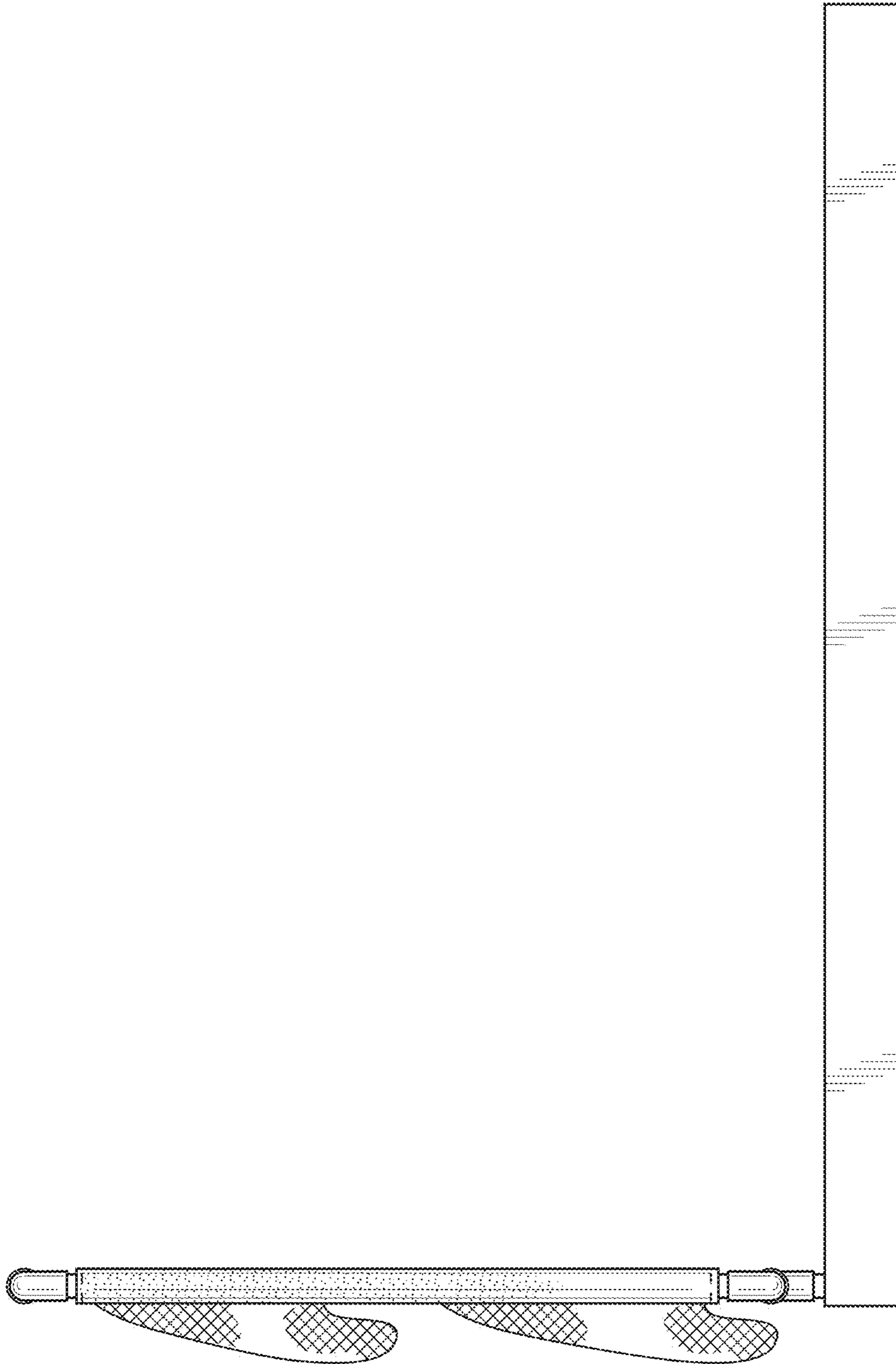


FIG. 3

FIG. 4



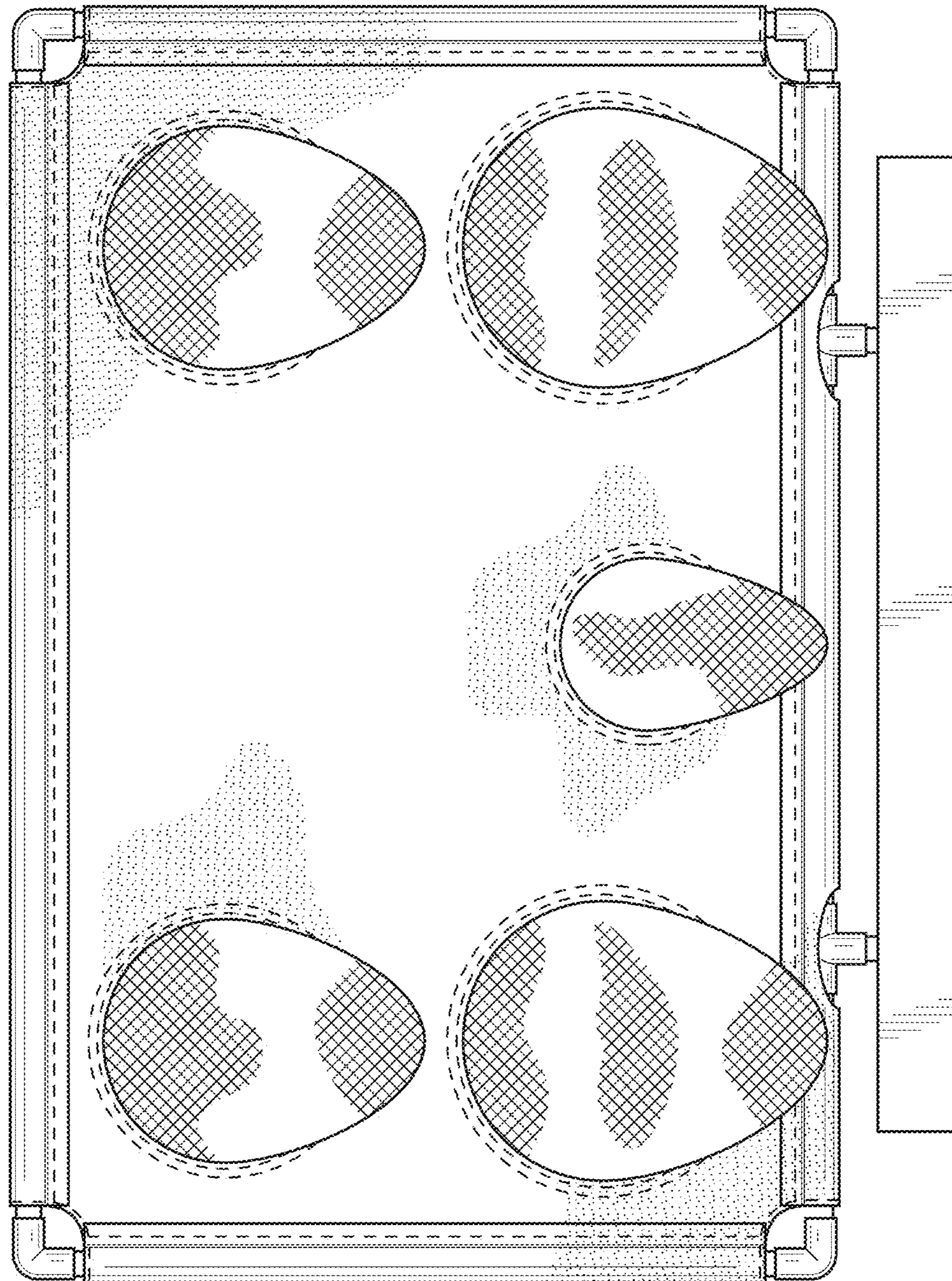


FIG. 5

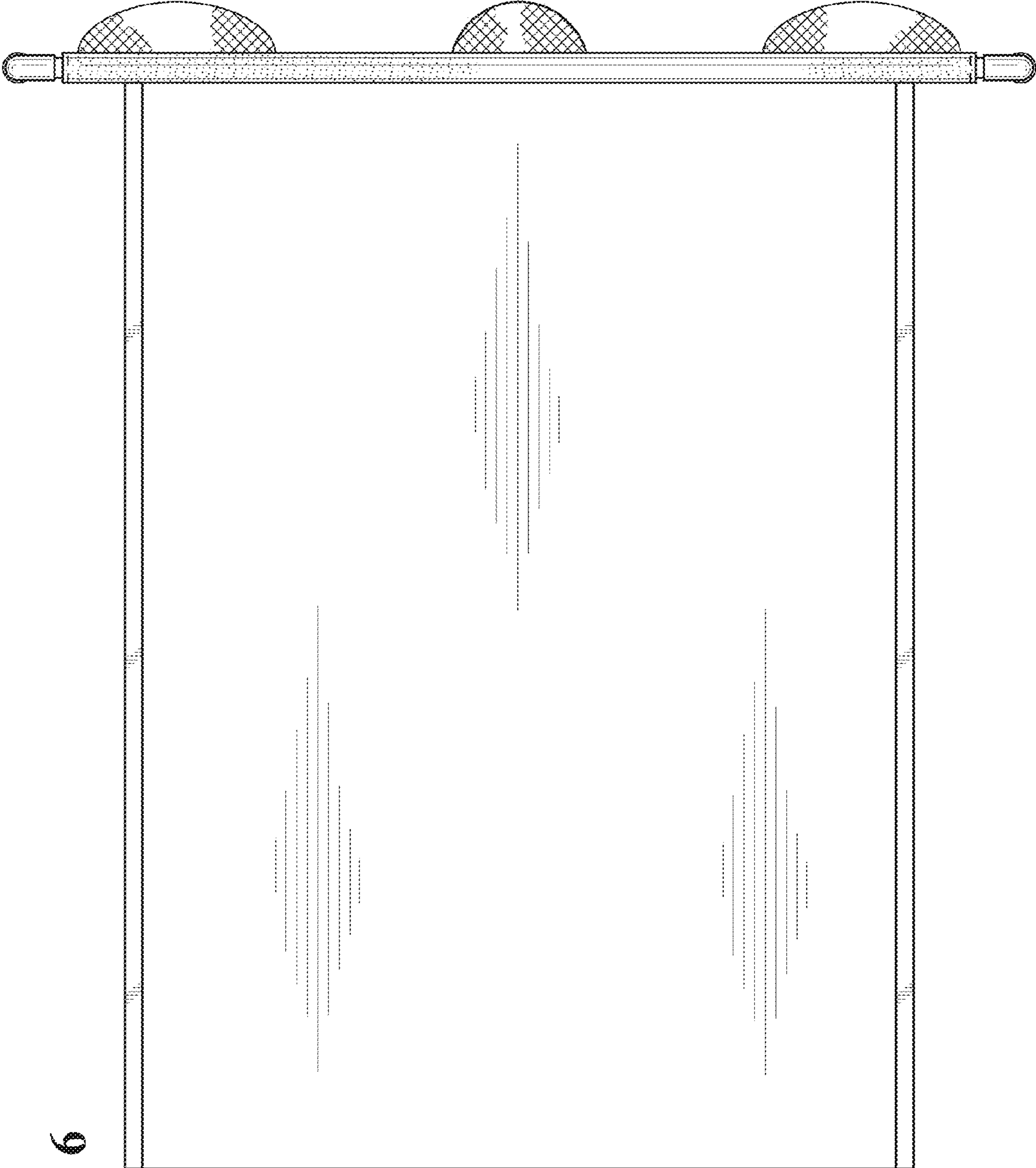


FIG. 6

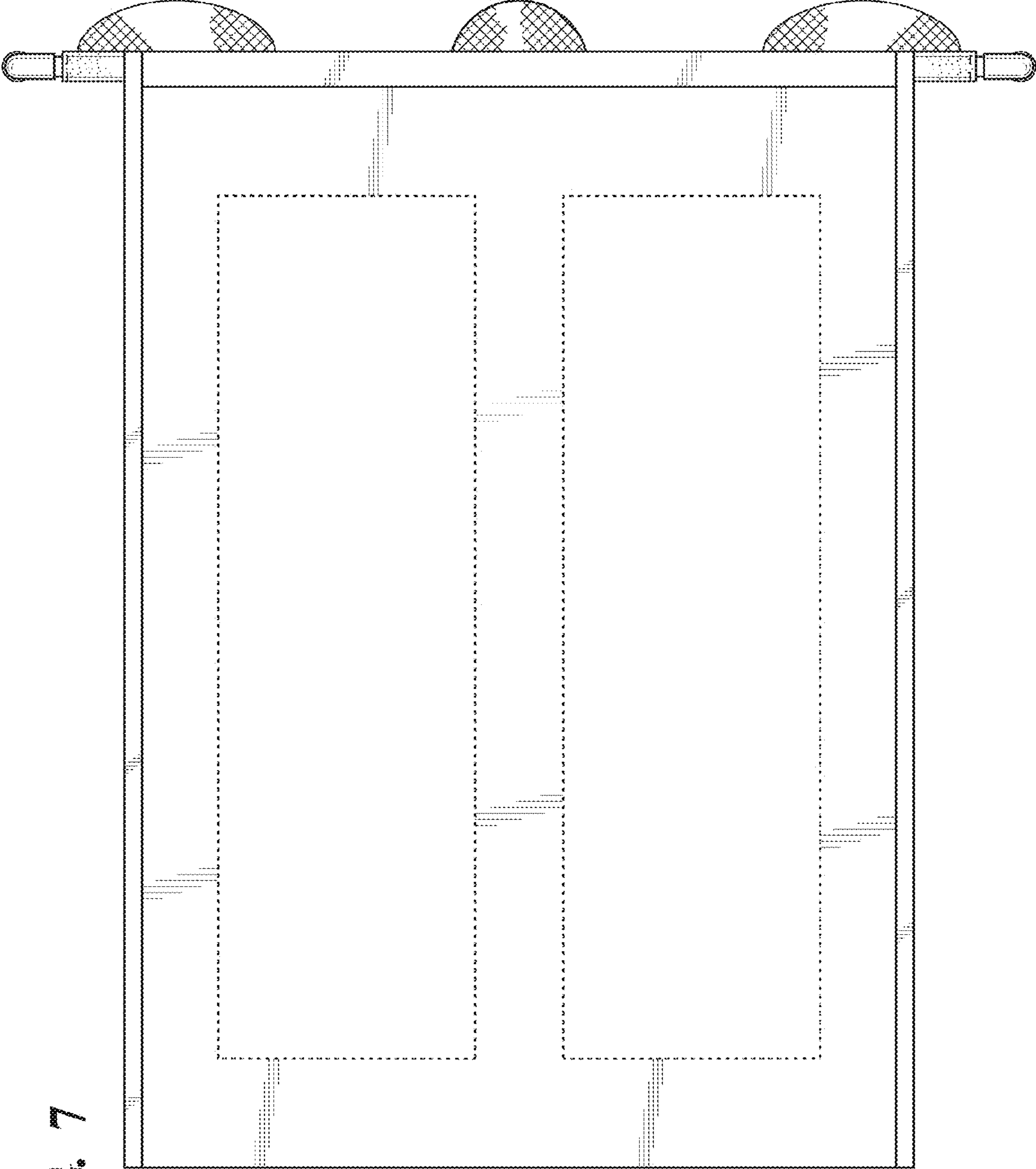


FIG. 7

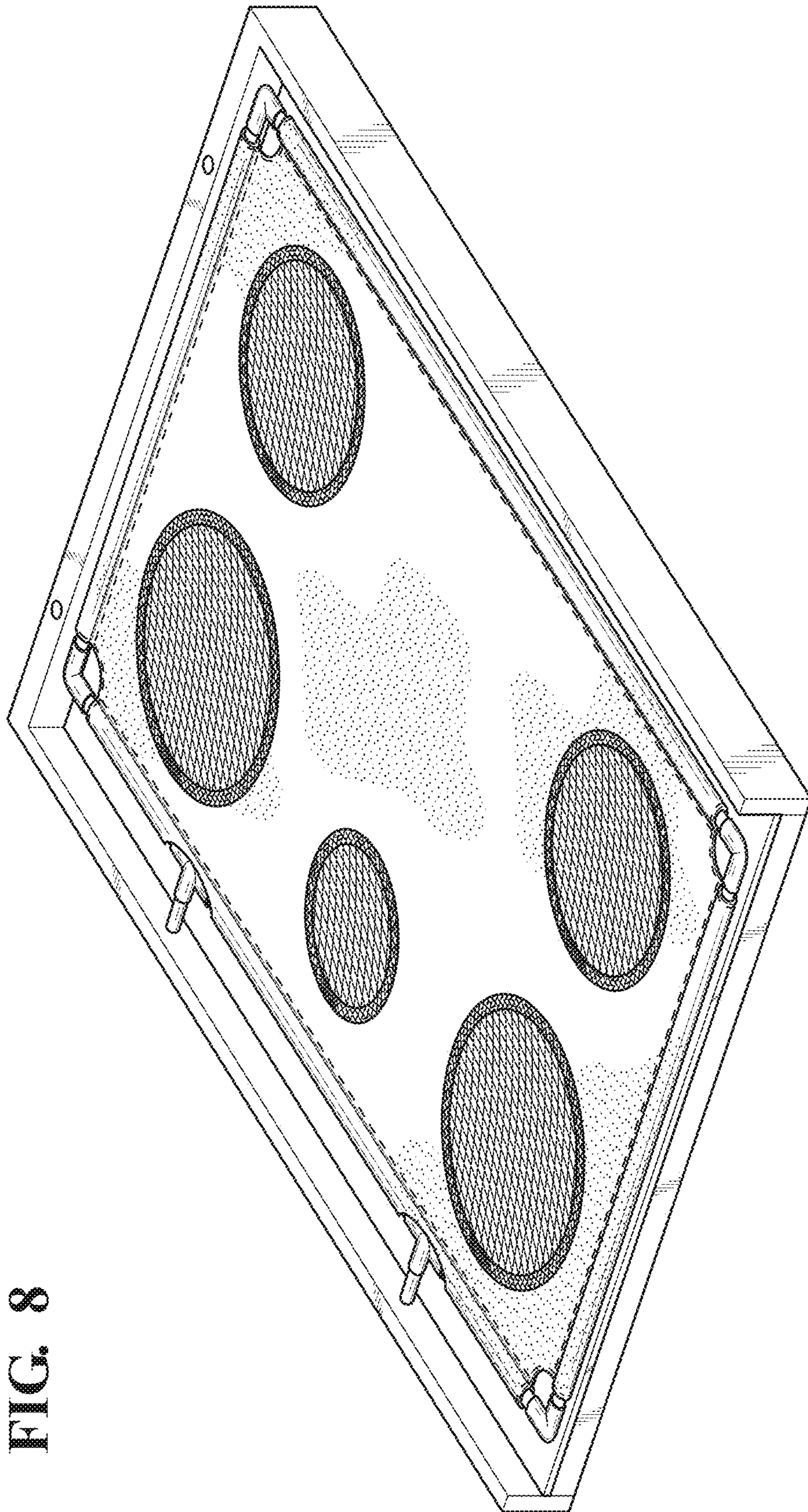


FIG. 8