



US00D973795S

(12) **United States Design Patent** (10) **Patent No.:** **US D973,795 S**
Peritz (45) **Date of Patent:** **** Dec. 27, 2022**

(54) **EXERCISE HANDLE WITH BALL WEIGHT AND SWIVEL**

(71) Applicant: **Robert Peritz**, San Diego, CA (US)

(72) Inventor: **Robert Peritz**, San Diego, CA (US)

(**) Term: **15 Years**

(21) Appl. No.: **29/747,994**

(22) Filed: **Aug. 26, 2020**

(51) **LOC (13) Cl.** **21-02**

(52) **U.S. Cl.**
USPC **D21/694**

(58) **Field of Classification Search**
USPC D6/552; D21/662, 667-682, 685, 686, D21/692, 694, 681, 678; D11/41, 79, 86
CPC A63B 2220/12; A63B 21/062; A63B 2220/13; A63B 69/3632; A63B 21/075; A63B 21/063; A63B 21/0628; A63B 21/0724; A63B 21/0726; A63H 3/48; A63H 27/10; A44C 7/003; A61H 15/00; A61H 15/0092

See application file for complete search history.

(56) **References Cited**

U.S. PATENT DOCUMENTS

- 1,485,577 A * 3/1924 Witten A63H 27/10
- 1,918,142 A * 7/1933 Smith A63B 21/0726
- D383,815 S * 9/1997 Isaacson D21/681
- D387,871 S * 12/1997 Childs D24/214
- D415,803 S * 10/1999 Cousins D21/678
- 6,102,876 A * 8/2000 Winger A61H 15/0092
- 6,167,725 B1 * 1/2001 Siekierski A44C 7/003
- D456,300 S * 4/2002 Brisk D11/79
- D538,359 S * 3/2007 Yordinsky D21/681
- 7,189,210 B1 * 3/2007 Hillman A61H 15/00
- D722,907 S * 2/2015 Miceli D11/41

(Continued)

FOREIGN PATENT DOCUMENTS

CN 302790647 * 3/2022

OTHER PUBLICATIONS

Lecellier 16oz (1 Pound) Cannonball Rock, first available Aug. 6, 2021, amazon.com [online], site visited [Apr. 21, 2022], Available from internet URL: <https://www.amazon.com/LECELLIER-16oz-Pound-Cannonball-Weights/dp/B08X14ML8J> (Year: 2019).*

(Continued)

Primary Examiner — Garth Rademaker

Assistant Examiner — Salamah Jordan

(74) *Attorney, Agent, or Firm* — Lewis Kohn & Walker LLP; David M. Kohn; Kari Moyer-Henry

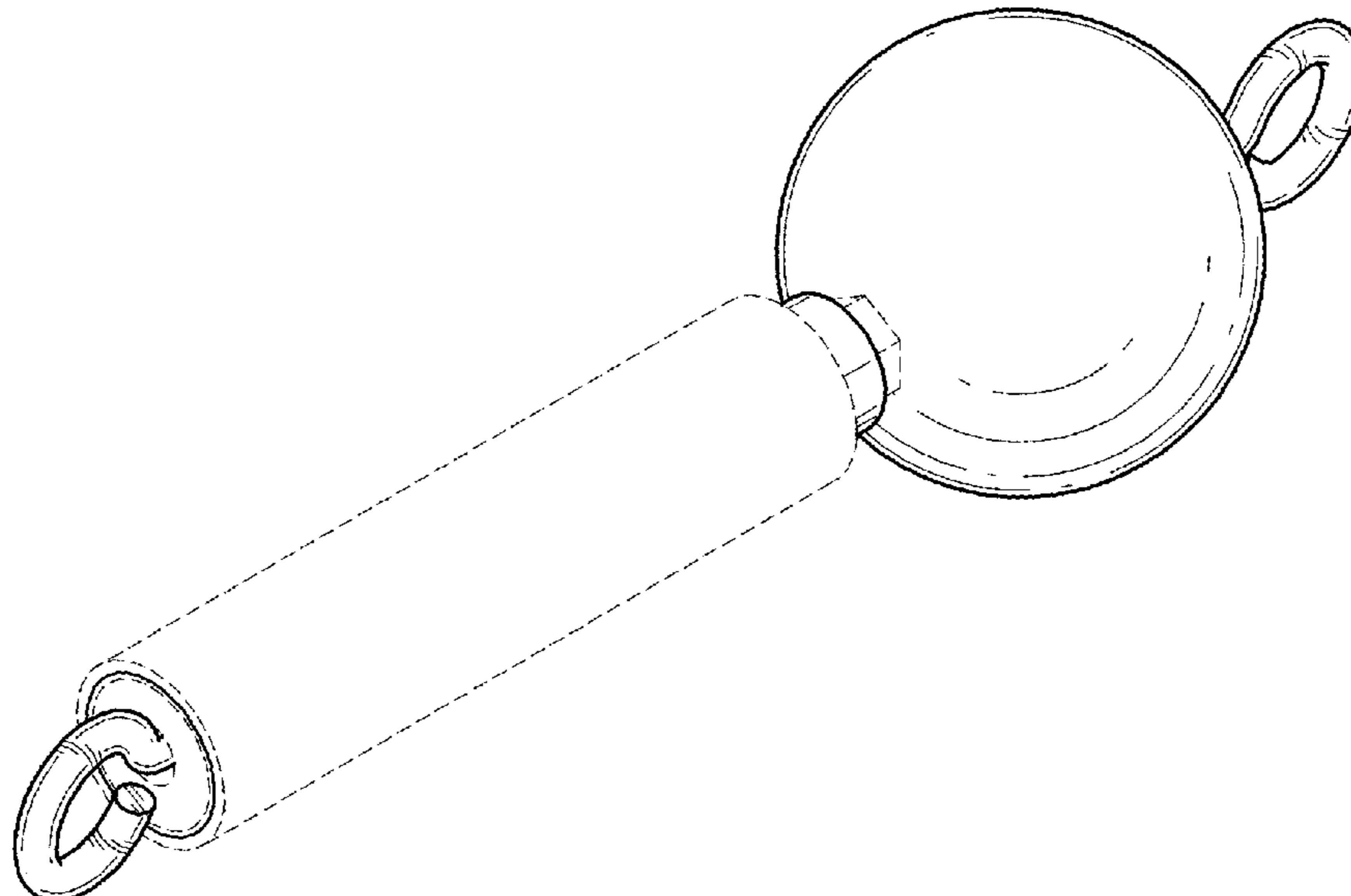
(57) **CLAIM**

The ornamental design for an exercise handle with ball weight and swivel, as shown and described.

DESCRIPTION

FIG. 1 is perspective view of an exercise handle with ball weight and swivel, showing my new design;
 FIG. 2 is a front view of the exercise handle with ball weight and swivel shown in FIG. 1;
 FIG. 3 is a left side view of the exercise handle with ball weight and swivel shown in FIG. 1;
 FIG. 4 is a back view of the exercise handle with ball weight and swivel shown in FIG. 1;
 FIG. 5 is a right side view of the exercise handle with ball weight and swivel shown in FIG. 1;
 FIG. 6 is a top view of the exercise handle with ball weight and swivel shown in FIG. 1; and,
 FIG. 7 is a bottom view of the exercise handle with ball weight and swivel shown in FIG. 1.
 The broken lines in the drawings illustrate portions of the exercise handle with ball weight and swivel, that form not part of the claimed design.

1 Claim, 4 Drawing Sheets



(56)

References Cited

U.S. PATENT DOCUMENTS

D794,143 S * 8/2017 Rex D21/694
D884,093 S * 5/2020 Baker A63H 3/48
D11/86

OTHER PUBLICATIONS

YCHLCHL Wooden Pull Up Grips and Balls, first available, Jan. 8, 2021, amazon.com[online], site visited [Apr. 21, 2022], Available from internet URL: <https://amzn.to/38bVw6a> (Year: 2021).*

* cited by examiner

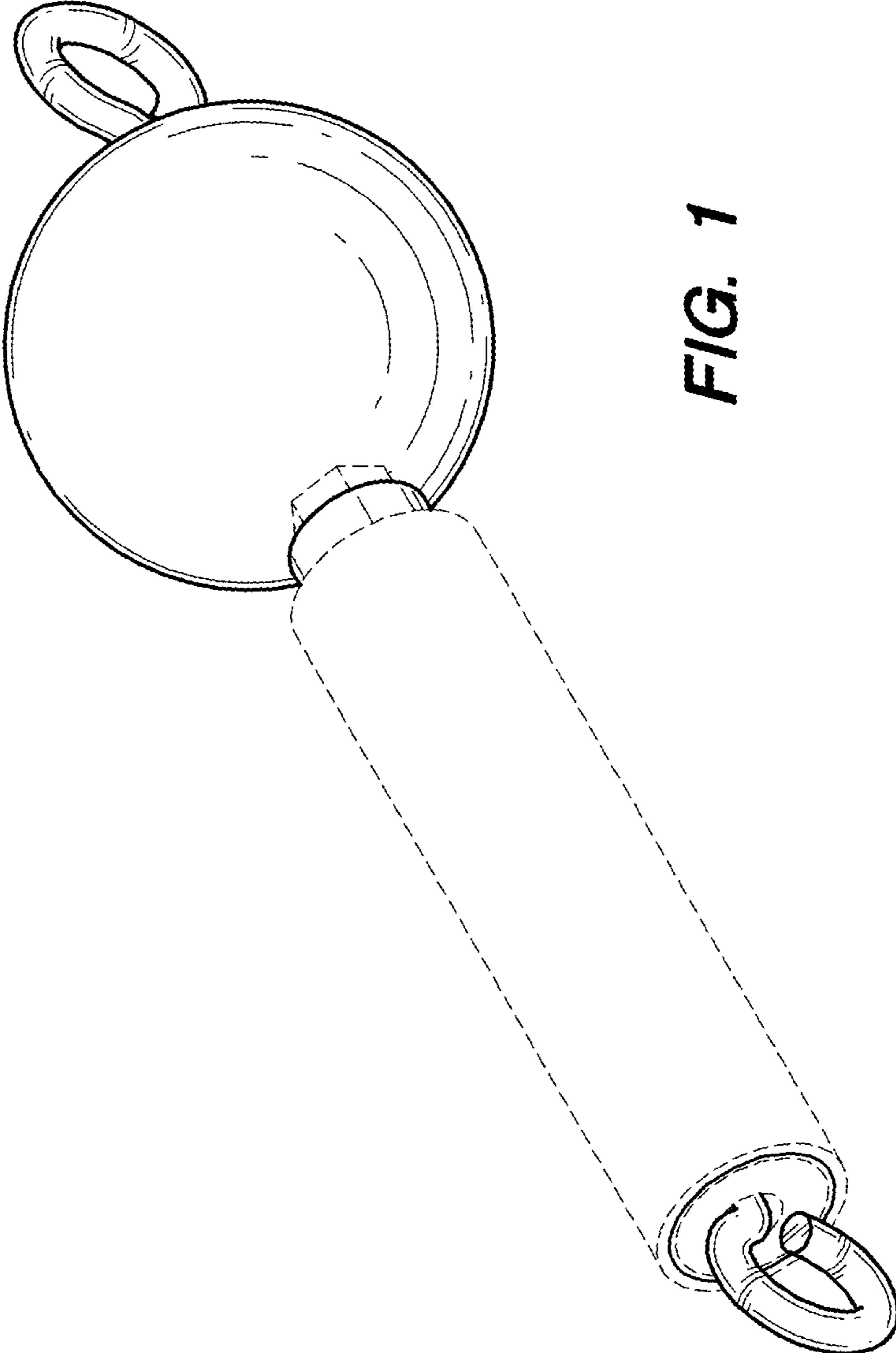


FIG. 1

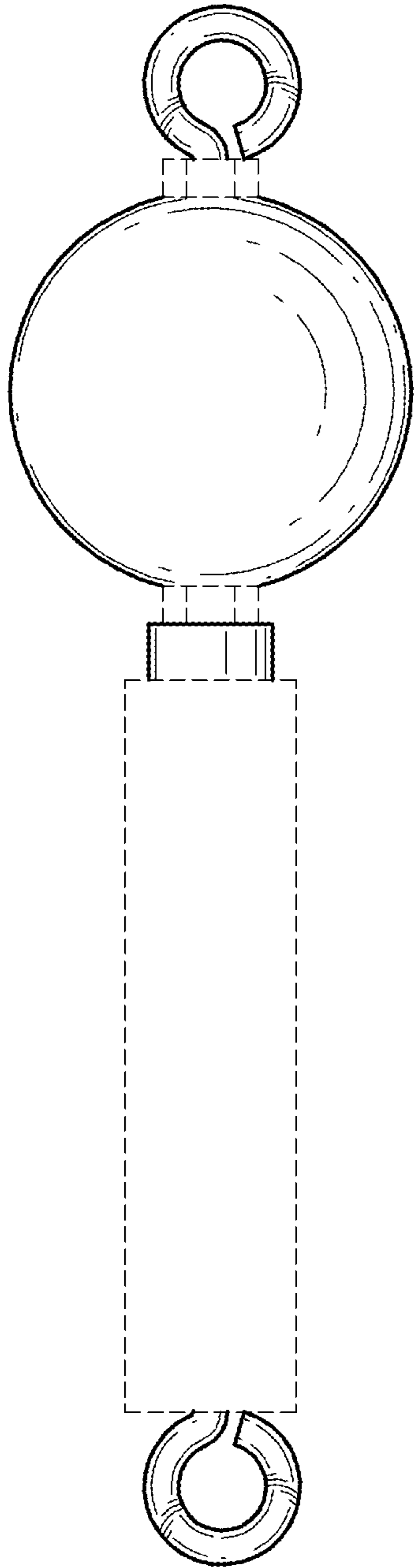


FIG. 2

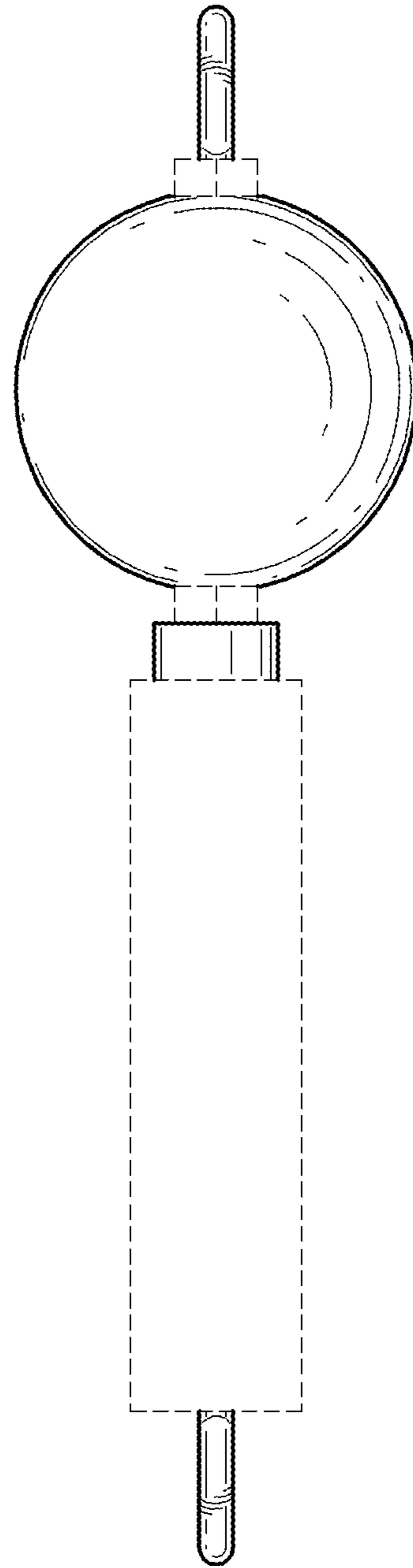


FIG. 3

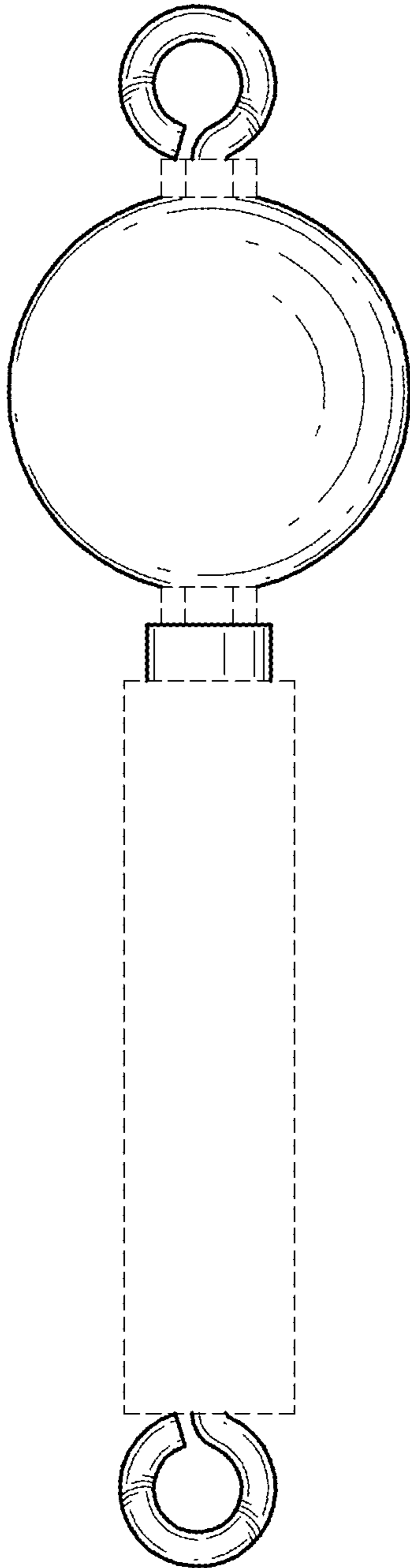


FIG. 4

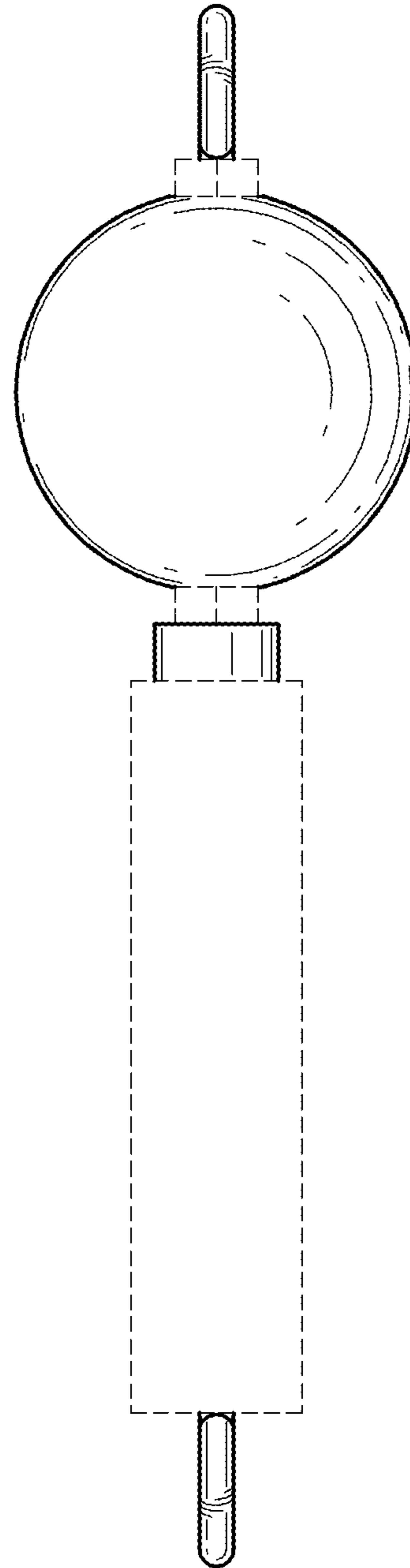


FIG. 5

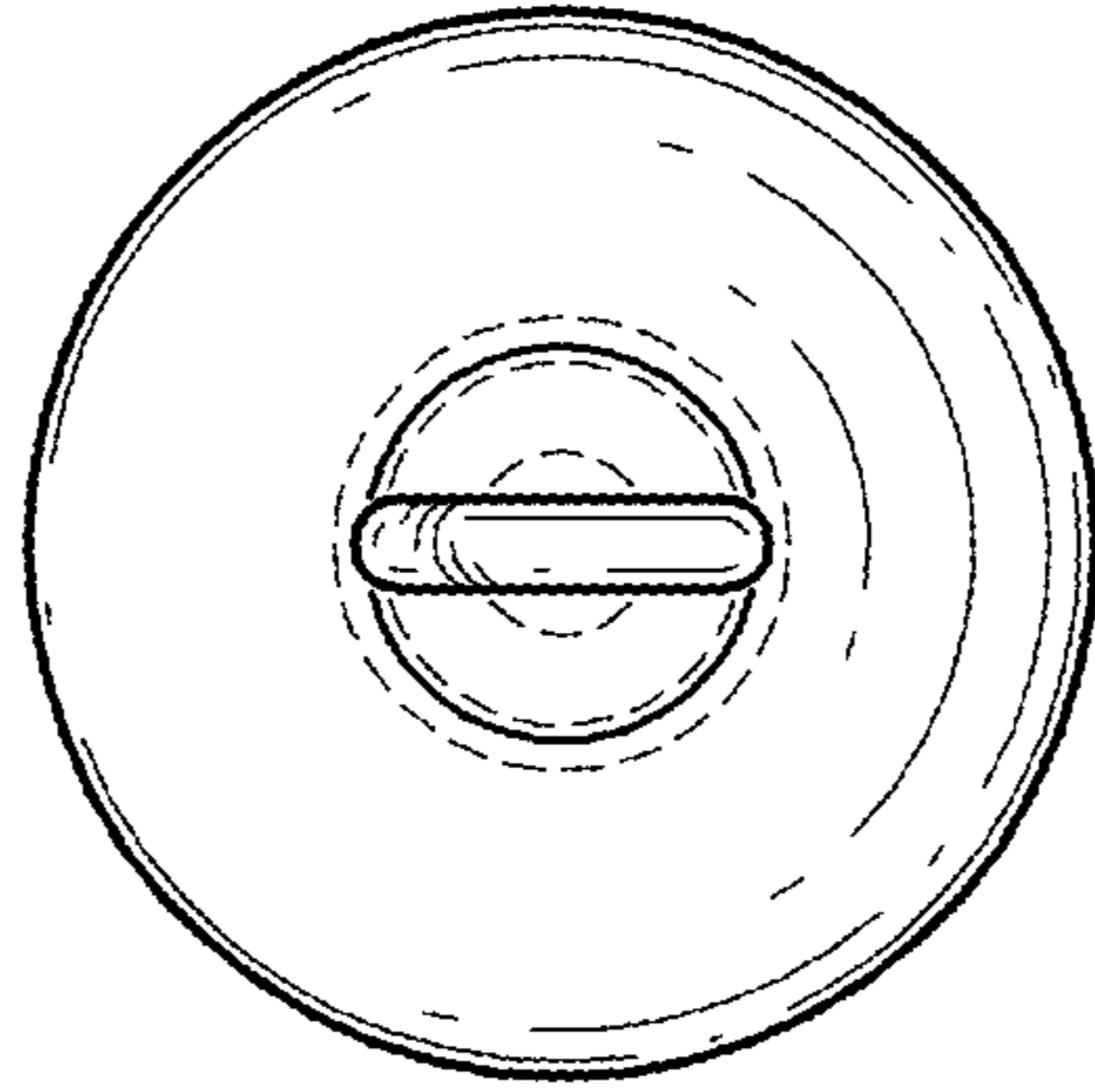


FIG. 7

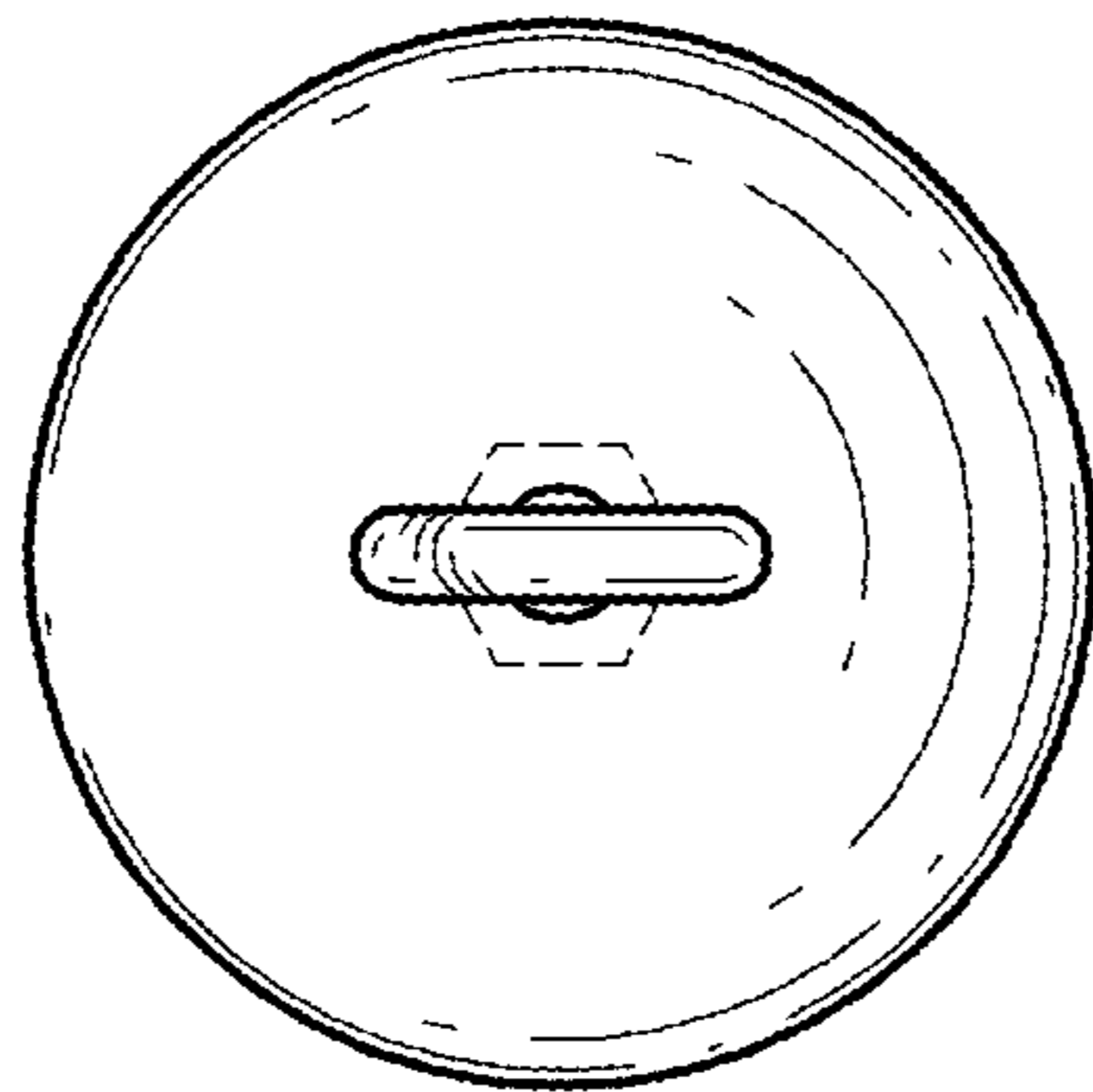


FIG. 6