



US00D973793S

(12) **United States Design Patent** (10) **Patent No.:** **US D973,793 S**
Jones et al. (45) **Date of Patent:** **** Dec. 27, 2022**

(54) **STORAGE RACK**

(71) Applicant: **Coulter Ventures, LLC.**, Columbus, OH (US)
(72) Inventors: **Ahmik Jones**, Upper Arlington, OH (US); **Tyler McClure**, Galena, OH (US); **Charlie Tighe**, Dublin, OH (US)
(73) Assignee: **Coulter Ventures, LLC.**, Columbus, OH (US)
(**) Term: **15 Years**
(21) Appl. No.: **29/769,904**

(22) Filed: **Feb. 8, 2021**
(51) **LOC (13) Cl.** **21-02**
(52) **U.S. Cl.**
USPC **D21/686**; D21/694
(58) **Field of Classification Search**
USPC D21/662, 686, 691, 694, 681; D6/552, D6/678.1, 678.4, 675; 482/104; D32/25
CPC A63B 71/0036; A63B 21/072; A63B 2071/025; A47B 47/021; A47B 55/00; A47B 81/00; A47B 81/007
See application file for complete search history.

(56) **References Cited**

U.S. PATENT DOCUMENTS

D587,491 S * 3/2009 Casper D6/678.4
D862,136 S * 10/2019 Dunahay D6/675
10,456,655 B1 * 10/2019 Orehek B62B 5/06
D882,707 S * 4/2020 Brown D21/686
D893,223 S * 8/2020 Adams D6/678.1
2019/0269992 A1 * 9/2019 Dunahay A47B 81/00

OTHER PUBLICATIONS

Product listing for York Horizontal Plate Racks from <https://web.archive.org/web/20170702224146/http://www.roguefitness.com/york-horizontal-plate-racks>, dated Jul. 2, 2017.

Product listing for York Horizontal Plate Racks from <https://www.roguefitness.com/york-horizontal-plate-racks>, showing additional detail, dated Mar. 26, 2020.
Product listing for Rogue Competition Bumper Plate Cart from <https://web.archive.org/web/20180725133511/https://www.roguefitness.com/rogue-competition-bumper-plate-cart>, dated Jul. 25, 2018.
Product listing for Monster Mass Storage from <https://web.archive.org/web/20180830090150/https://www.roguefitness.com/monster-mass-storage>, dated Aug. 30, 2018.
Product listing for Monster Single Post Storage Shelf from <https://web.archive.org/web/20180830090140/https://www.roguefitness.com/monster-single-post-storage-shelf>, dated Aug. 30, 2018.
Product listing for Rogue Horizontal Plate Rack 2.0 from <https://web.archive.org/web/20180724144551/https://www.roguefitness.com/rogue-horizontal-plate-racks>, dated Jul. 24, 2018.

* cited by examiner

Primary Examiner — Ryan Harvey
(74) *Attorney, Agent, or Firm* — Banner & Witcoff, Ltd.

(57) **CLAIM**

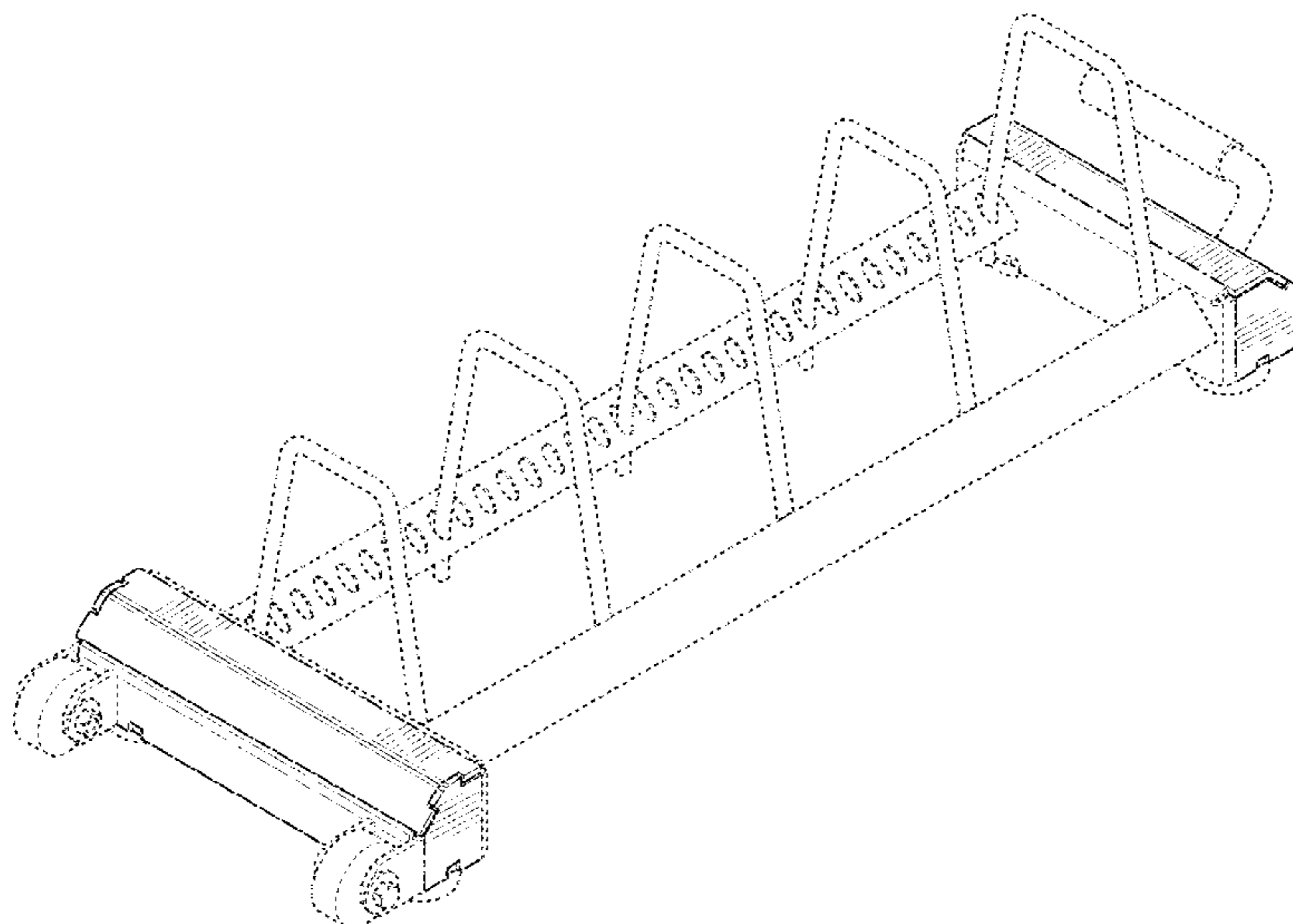
The ornamental design for a storage rack, as shown and described.

DESCRIPTION

FIG. 1 is a top, front, left perspective view of a storage rack showing our new design;
FIG. 2 is a top, rear, left perspective view thereof;
FIG. 3 is a top view thereof;
FIG. 4 is a bottom view thereof;
FIG. 5 is a front view thereof;
FIG. 6 is a rear view thereof;
FIG. 7 is a right side view thereof; and,
FIG. 8 is a left side view thereof.

The uneven-length broken lines immediately adjacent to the shaded areas define the bounds of the claimed design and form no part thereof. The even-length broken lines depicting the remainder of the storage rack show portions forming no part of the claimed design.

1 Claim, 6 Drawing Sheets



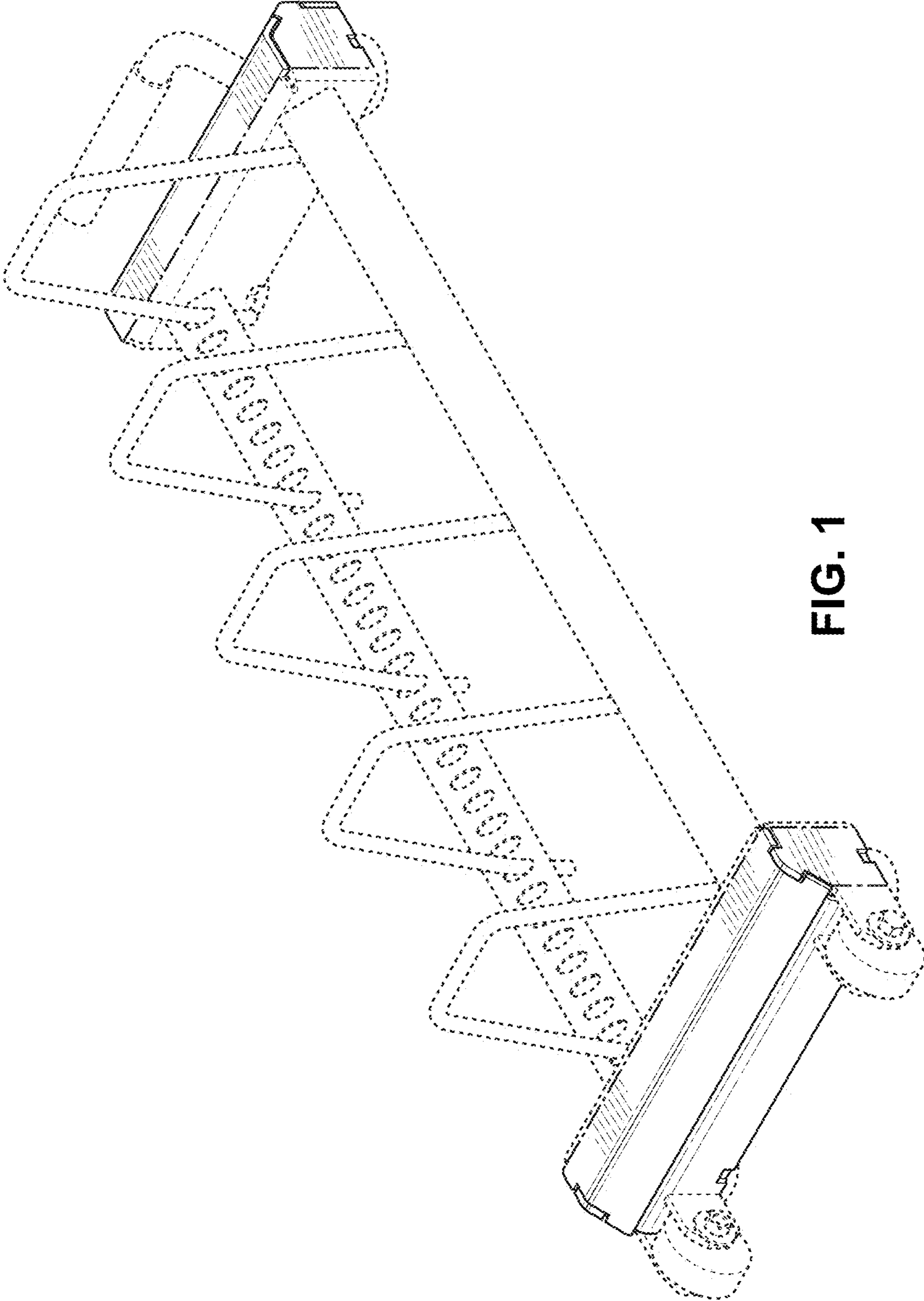


FIG. 1

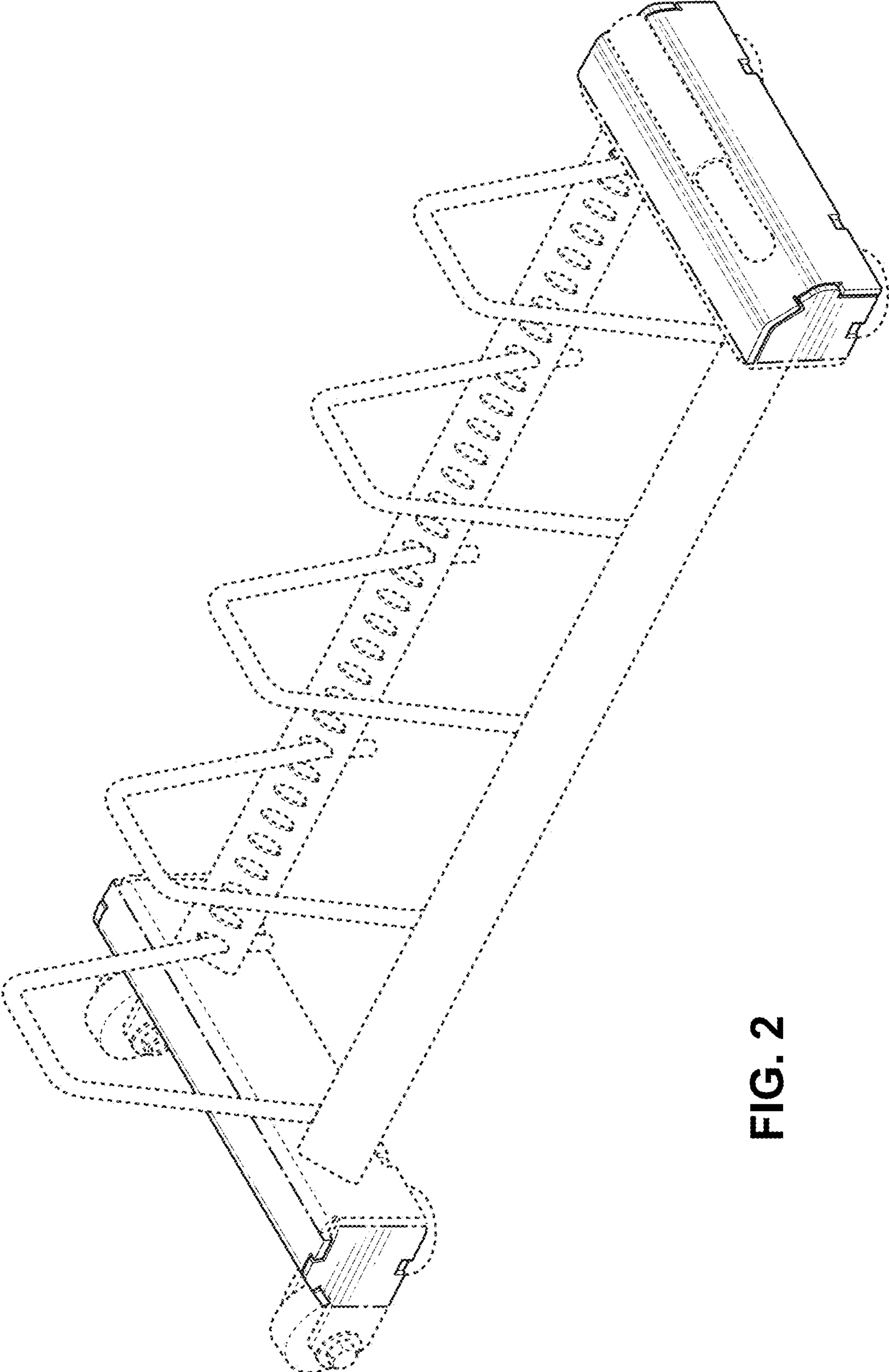


FIG. 2

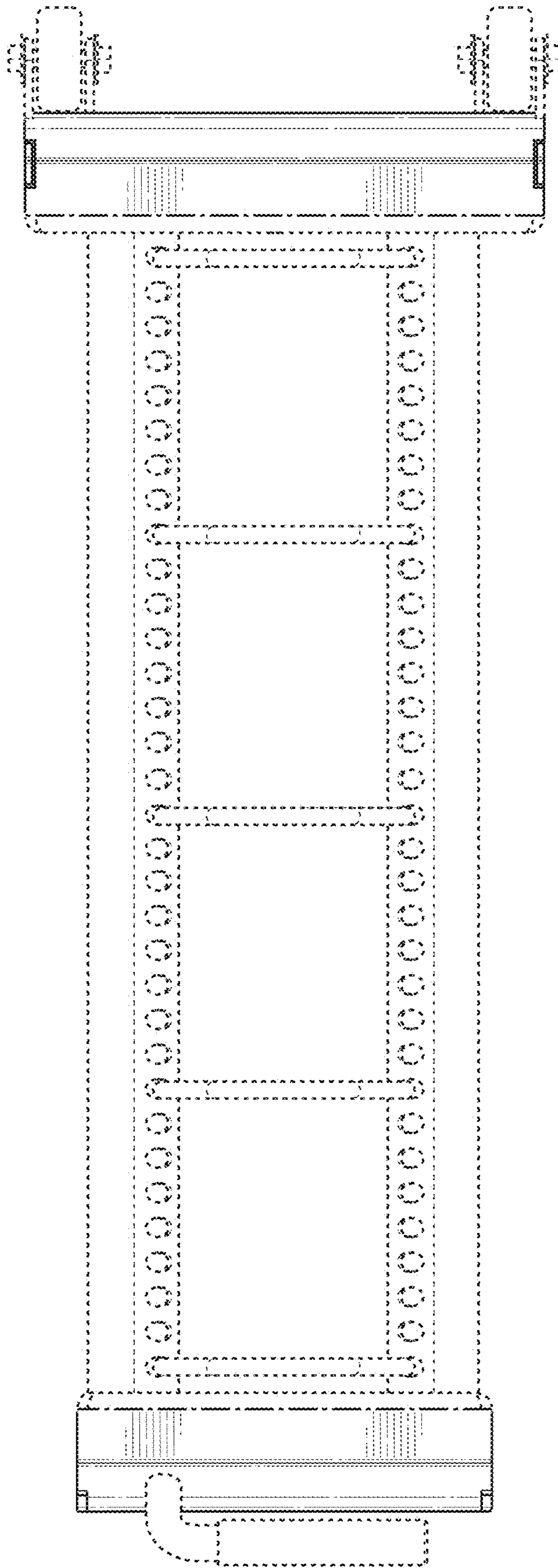


FIG. 3

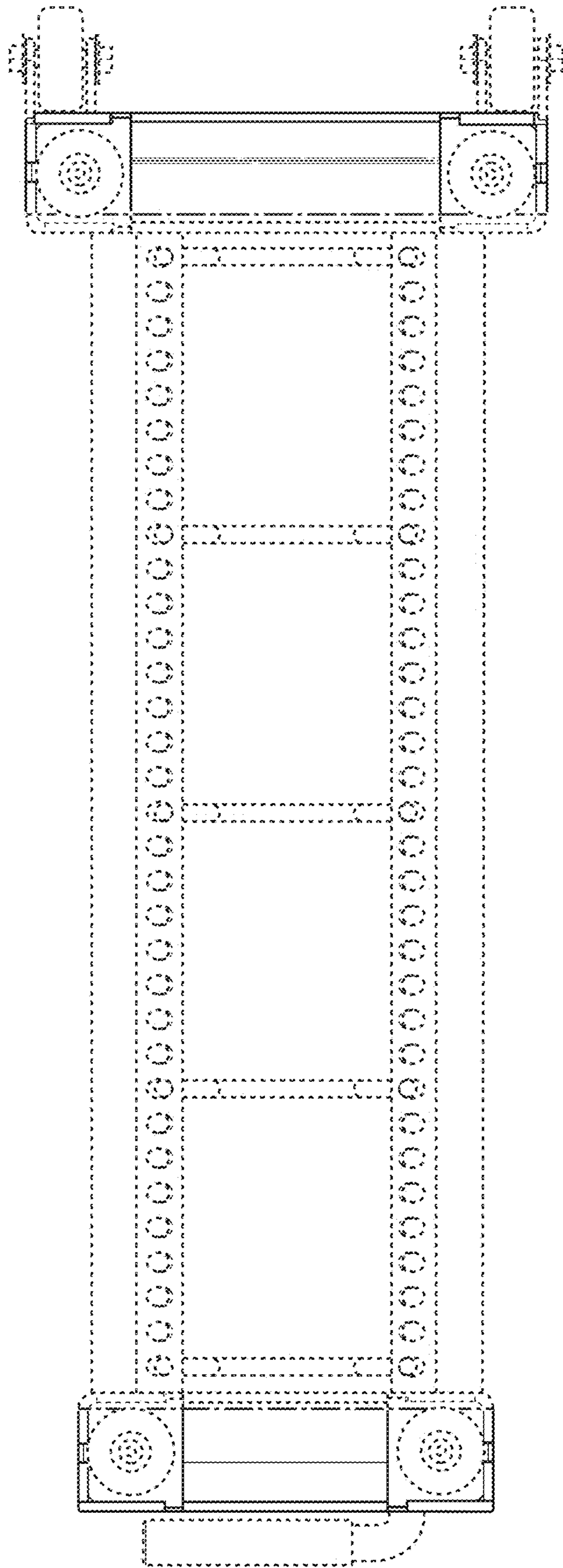
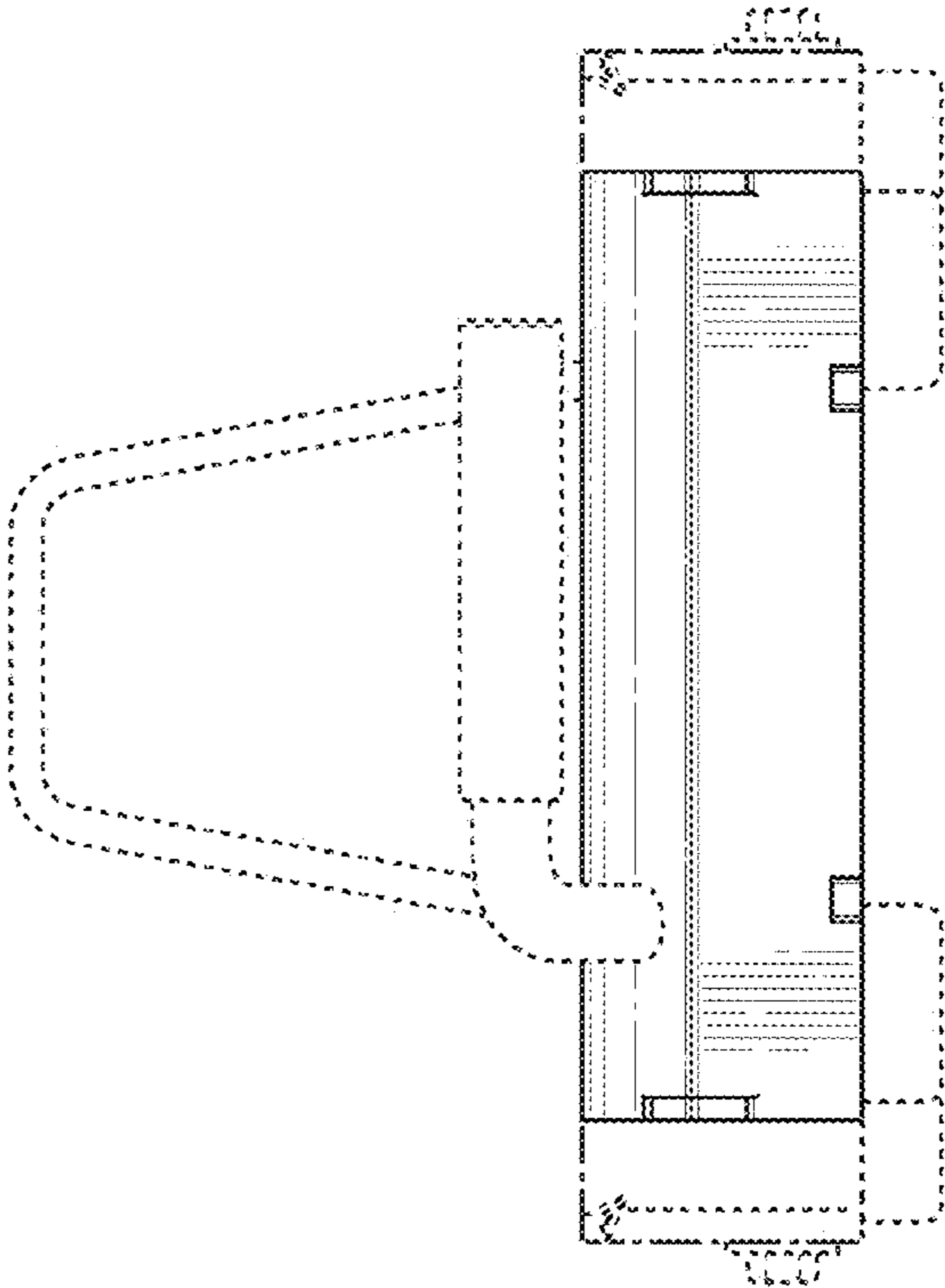
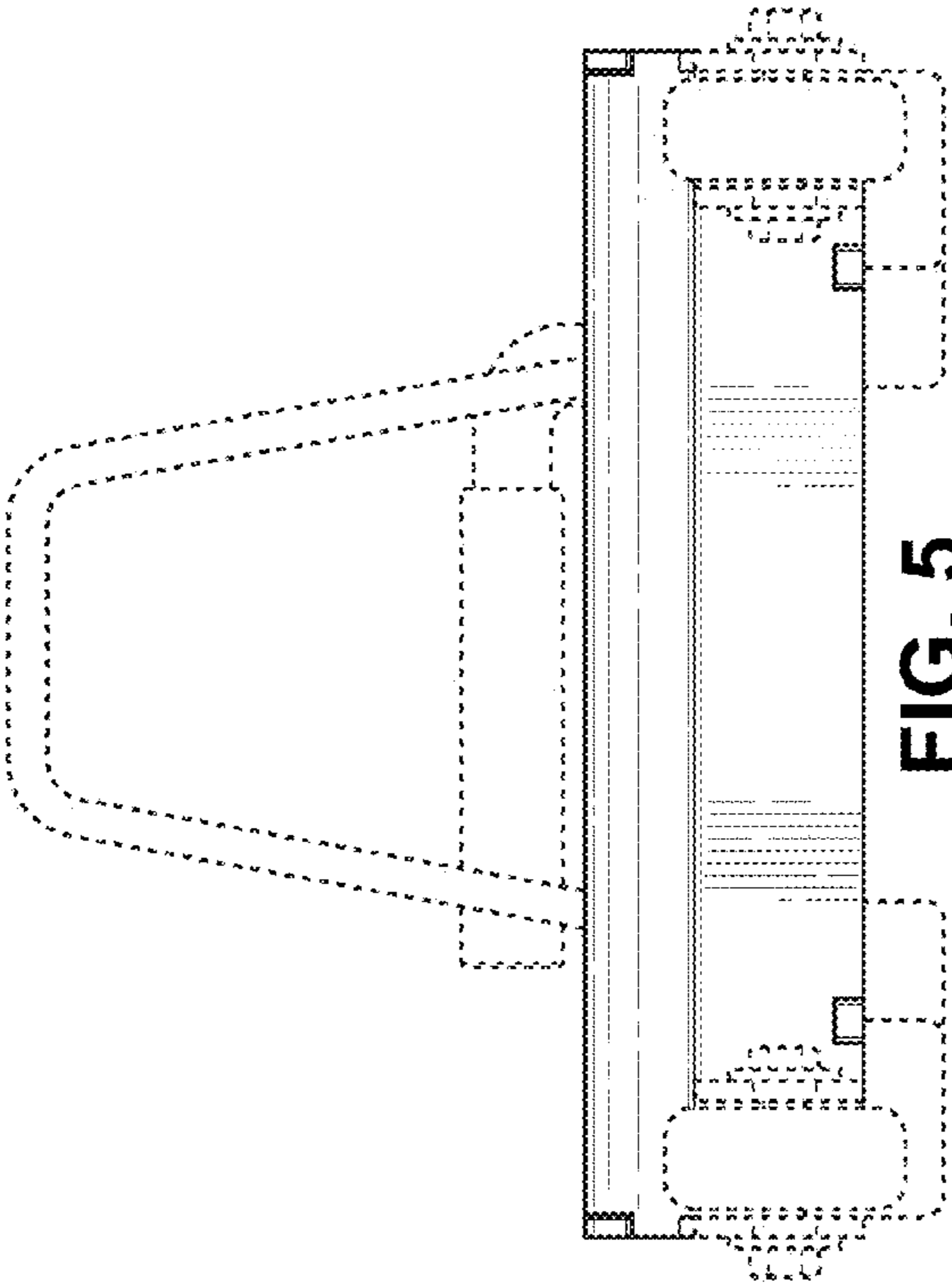


FIG. 4



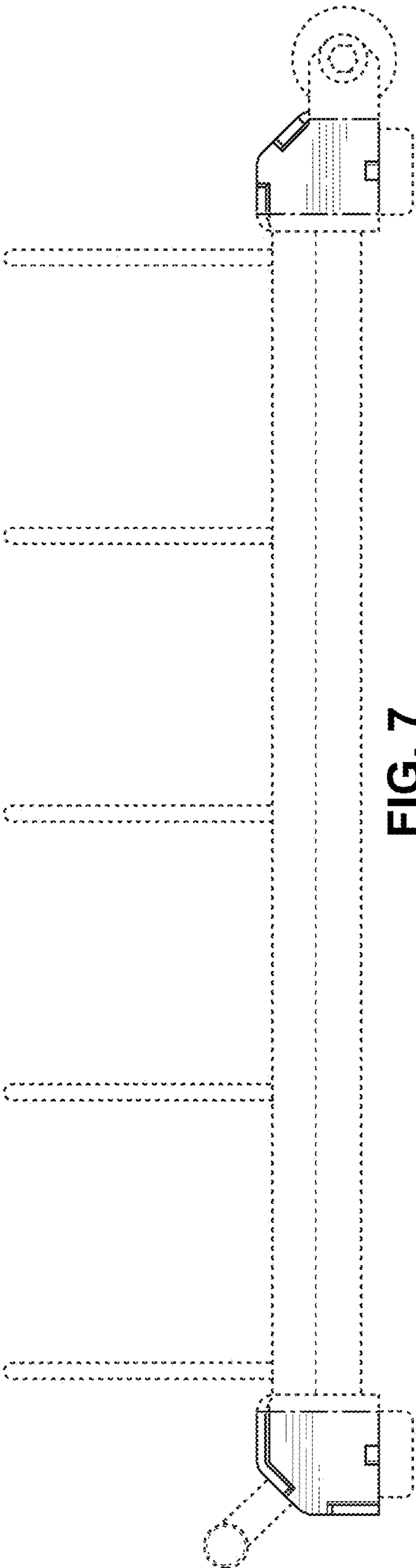


FIG. 7

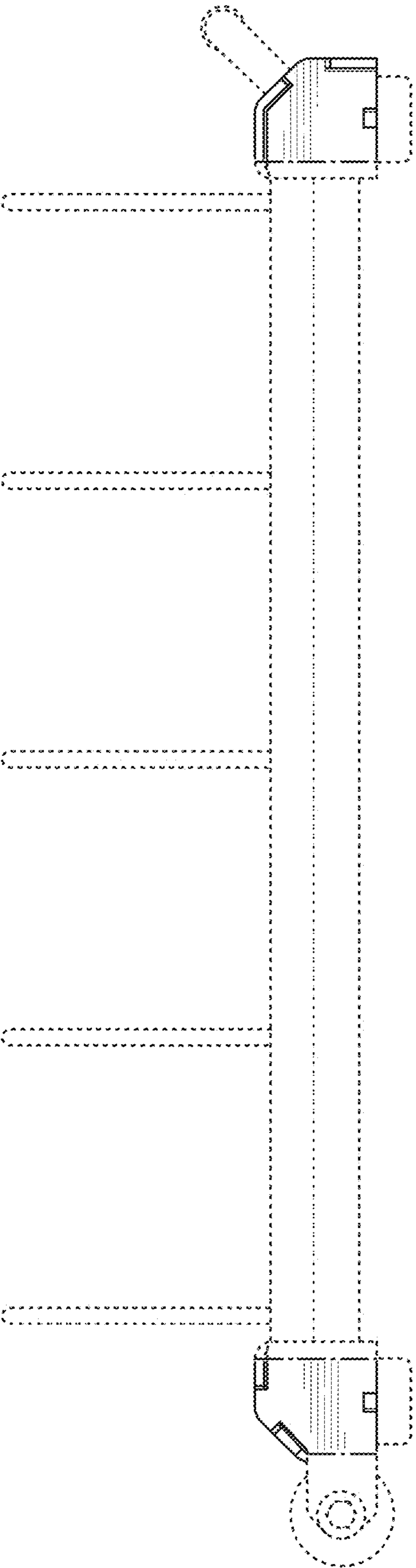


FIG. 8