

US00D973791S

(12) **United States Design Patent** (10) **Patent No.:** **US D973,791 S**
Deng (45) **Date of Patent:** **** Dec. 27, 2022**

- (54) **TOY GUN**
- (71) Applicant: **Shenzhen Gang'ao International Electronic Commerce Co., Ltd.,** Shenzhen (CN)
- (72) Inventor: **Qichang Deng,** Shenzhen (CN)
- (**) Term: **15 Years**
- (21) Appl. No.: **29/786,384**
- (22) Filed: **May 31, 2021**
- (51) **LOC (13) Cl.** **21-01**
- (52) **U.S. Cl.**
USPC **D21/574**
- (58) **Field of Classification Search**
USPC D21/333, 570, 572-575; D14/418;
D22/100, 103, 104
CPC F41B 7/00; F41B 7/003; F41B 7/08; F41B
9/00; F41B 9/0078; F41B 9/0081; F41B
11/89; A63H 5/04
See application file for complete search history.

(56) **References Cited**

U.S. PATENT DOCUMENTS

D570,925 S *	6/2008	Wu	D21/574
D681,131 S *	4/2013	Su	D21/574
D839,970 S	2/2019	Chu		
D839,971 S *	2/2019	Chu	D22/104
D842,390 S	3/2019	Iwasawa		
D846,038 S	4/2019	Lin		
D933,772 S *	10/2021	Sroufe	D22/104
2006/0288990 A1 *	12/2006	Wei	F41B 11/62 124/80

OTHER PUBLICATIONS

Backyard Blasters, Reviewed and online Amazon as early as Nov. 29, 2019 [online], [site visited Apr. 7, 2022]. Available from

Internet: <URL:https://www.amazon.com/Backyard-Blasters-Golden-Desert-Adults/dp/B07PY7BWPQ/> (Year: 2019).*

Anstoy Gel Ball Blaster, Reviewed and online Amazon as early as Apr. 8, 2021 [online], [site visited Apr. 7, 2022]. Available from Internet: <URL:https://www.amazon.com/Anstoy-Blaster-Eco-Friendly-Backyard-Outdoor/dp/B08TMH8KNJ/> (Year: 2021).*

Desert Eagle—Internet Movie Firearms Database, 1983-Present [online], [site visited Apr. 8, 2022]. Available from Internet: <URL:http://www.imfdb.org/wiki/Desert_Eagle> (Year: 1983).*

(Continued)

Primary Examiner — Cynthia M. Chin
(74) *Attorney, Agent, or Firm* — Runit Ranjit Kanakia

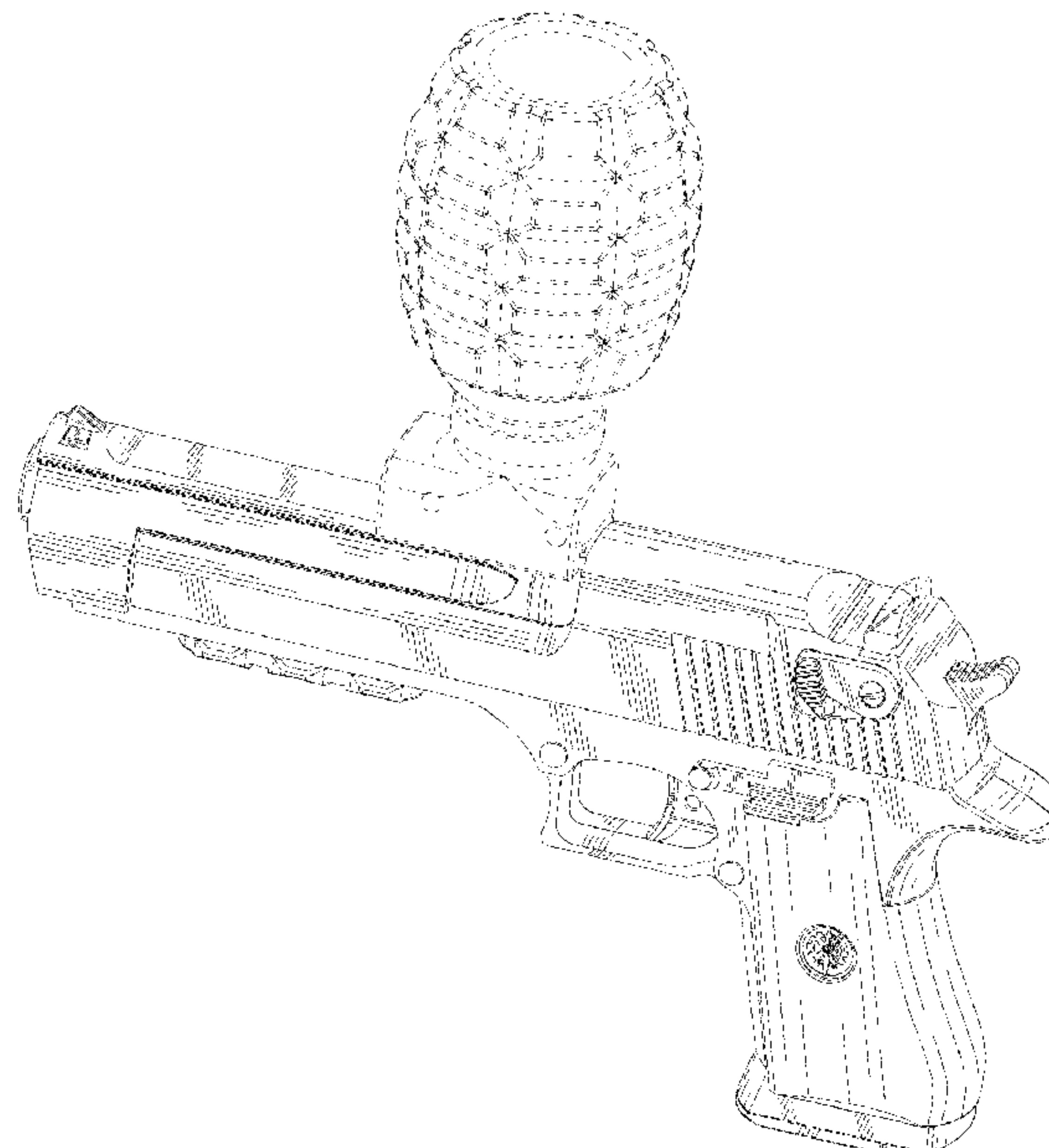
(57) **CLAIM**

The ornamental design for a toy gun, as shown and described.

DESCRIPTION

FIG. 1 is a first perspective view of a toy gun showing my new design;
FIG. 2 is a second perspective view thereof;
FIG. 3 is a front view thereof;
FIG. 4 is a back view thereof;
FIG. 5 is a left side view thereof;
FIG. 6 is a right side view thereof;
FIG. 7 is a top view thereof;
FIG. 8 is a bottom view thereof;
FIG. 9 is an enlarged partial view taken from FIG. 1;
FIG. 10 is an enlarged partial view taken from FIG. 2;
FIG. 11 is an enlarged partial view taken from FIG. 2; and,
FIG. 12 is an enlarged partial view taken from FIG. 2.
The dash-dot broken lines represent the boundaries of the enlarged partial view of FIGS. 9-12. All other broken lines represent portions of the toy gun that form no part of the claimed design. None of the broken lines form a part of the claim.

1 Claim, 12 Drawing Sheets



(56)

References Cited

OTHER PUBLICATIONS

RX Desert Eagle Manual Mag Fed Gel Blaster, posted on YouTube by Backyard Blasters Oct. 29, 2019 [online], [site visited Apr. 8, 2022]. Available from Internet: <URL:https://www.youtube.com/watch?v=pKW_RUhn3DA> (Year: 2019).*

* cited by examiner

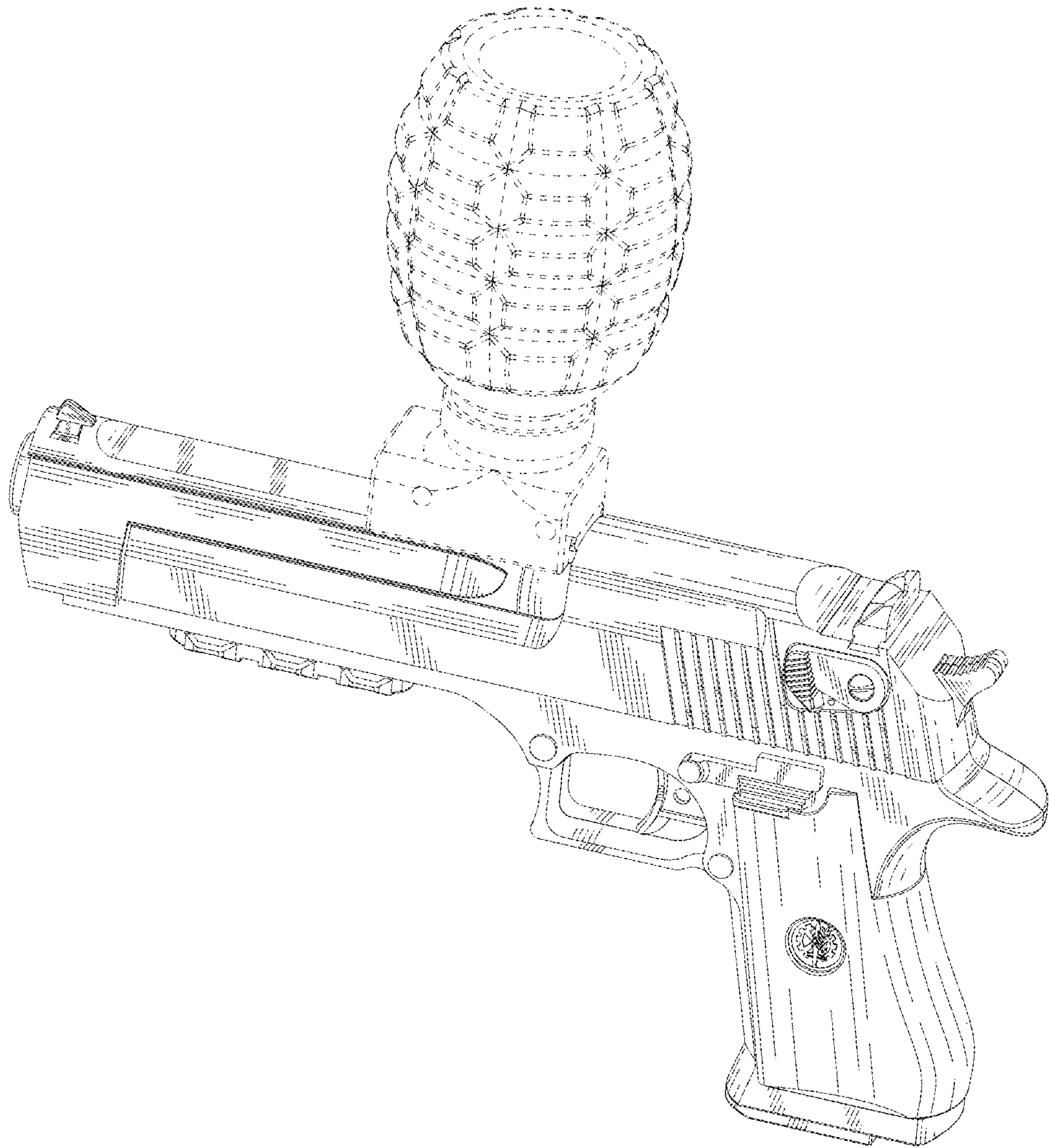


FIG. 1



FIG. 2



FIG. 3

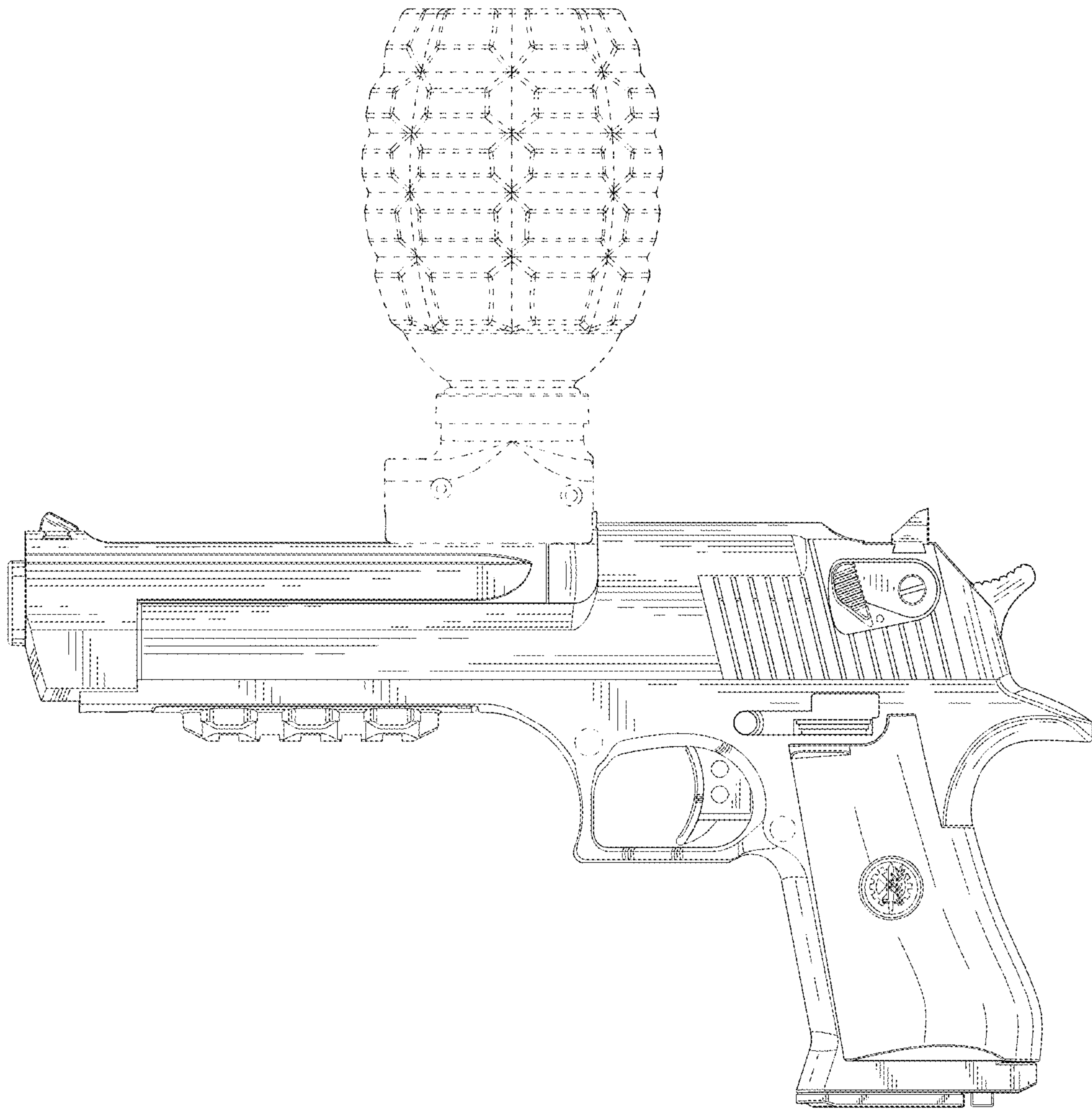


FIG. 4

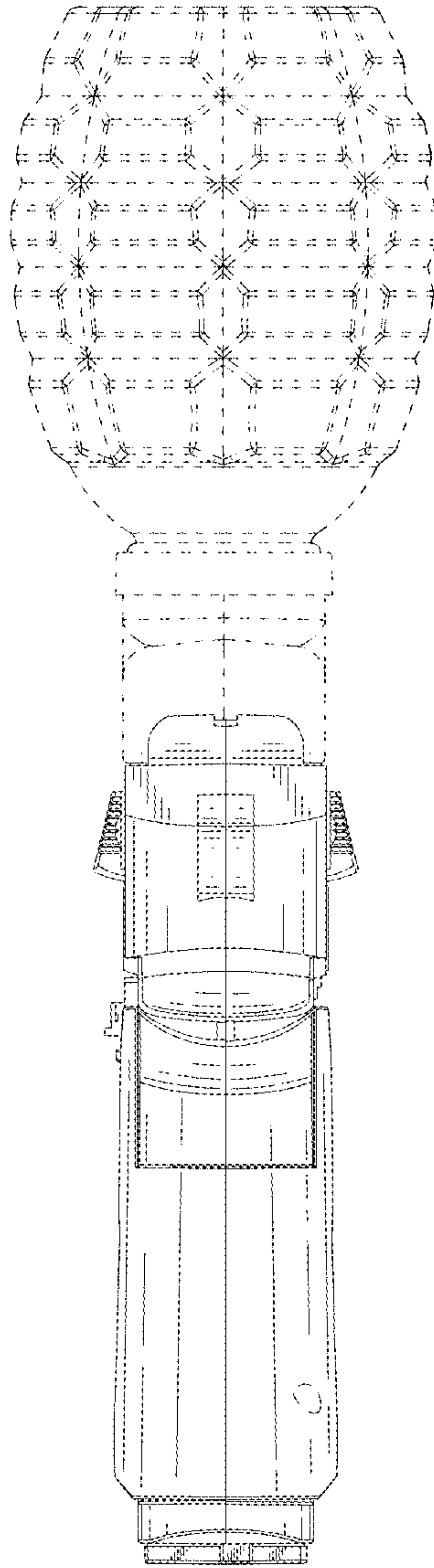


FIG. 5

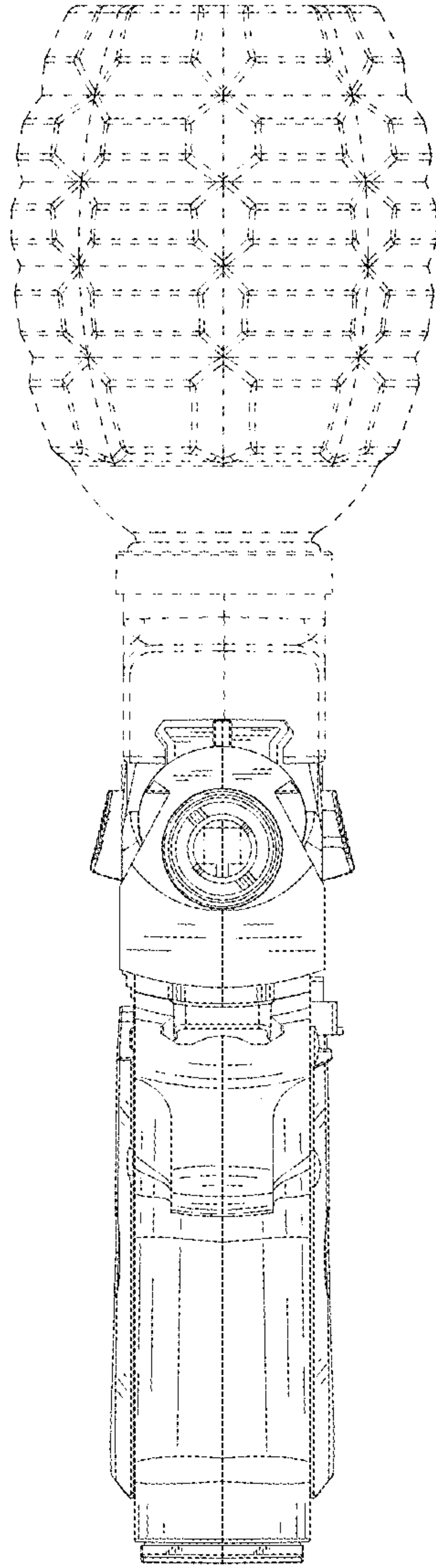


FIG. 6

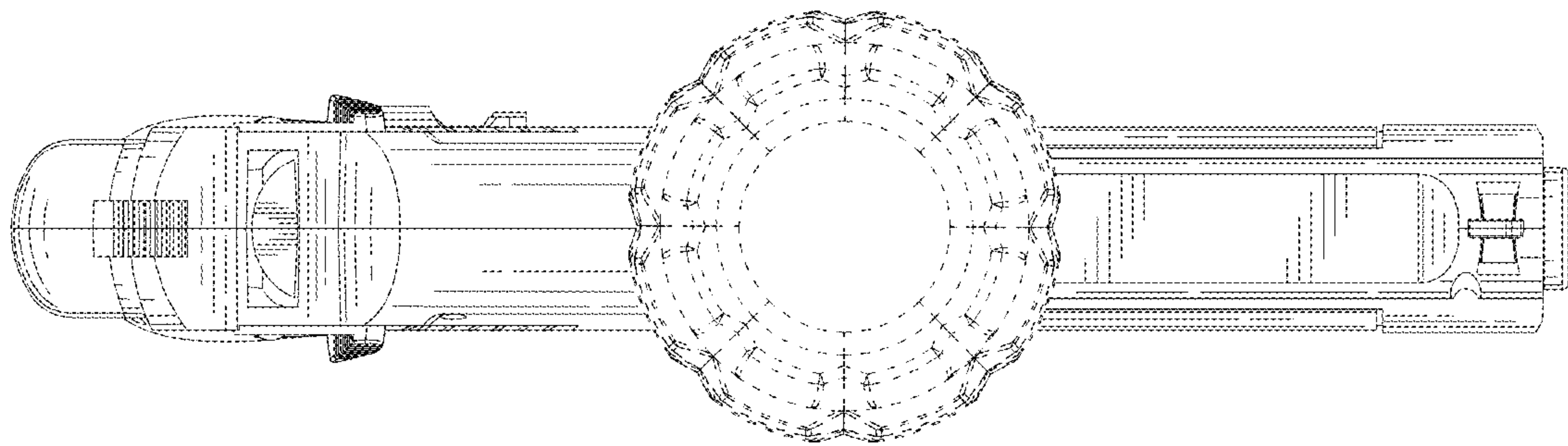


FIG. 7

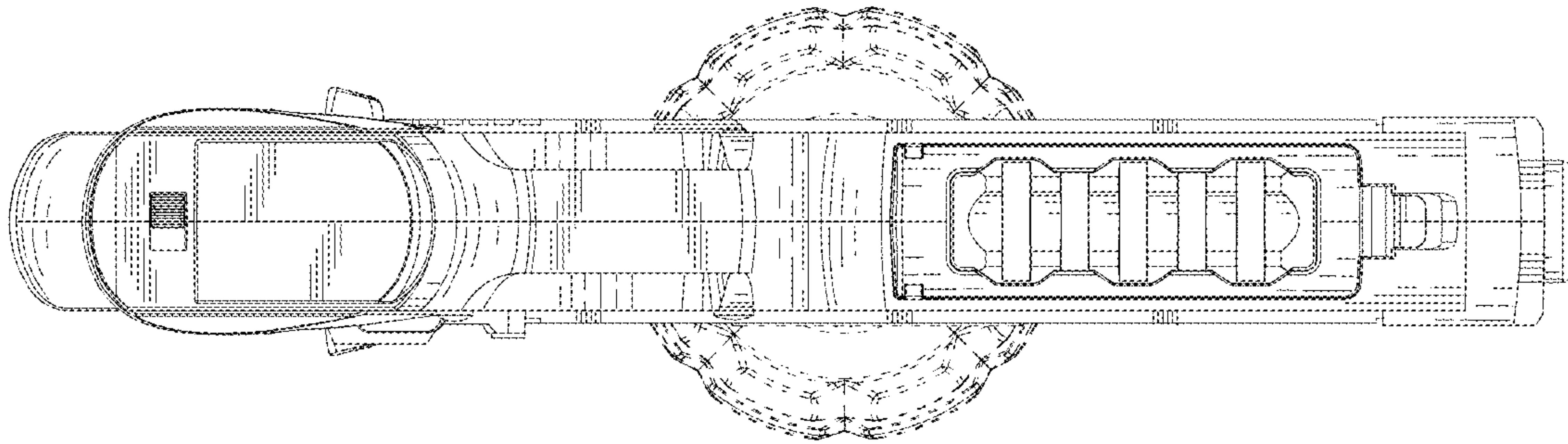


FIG. 8

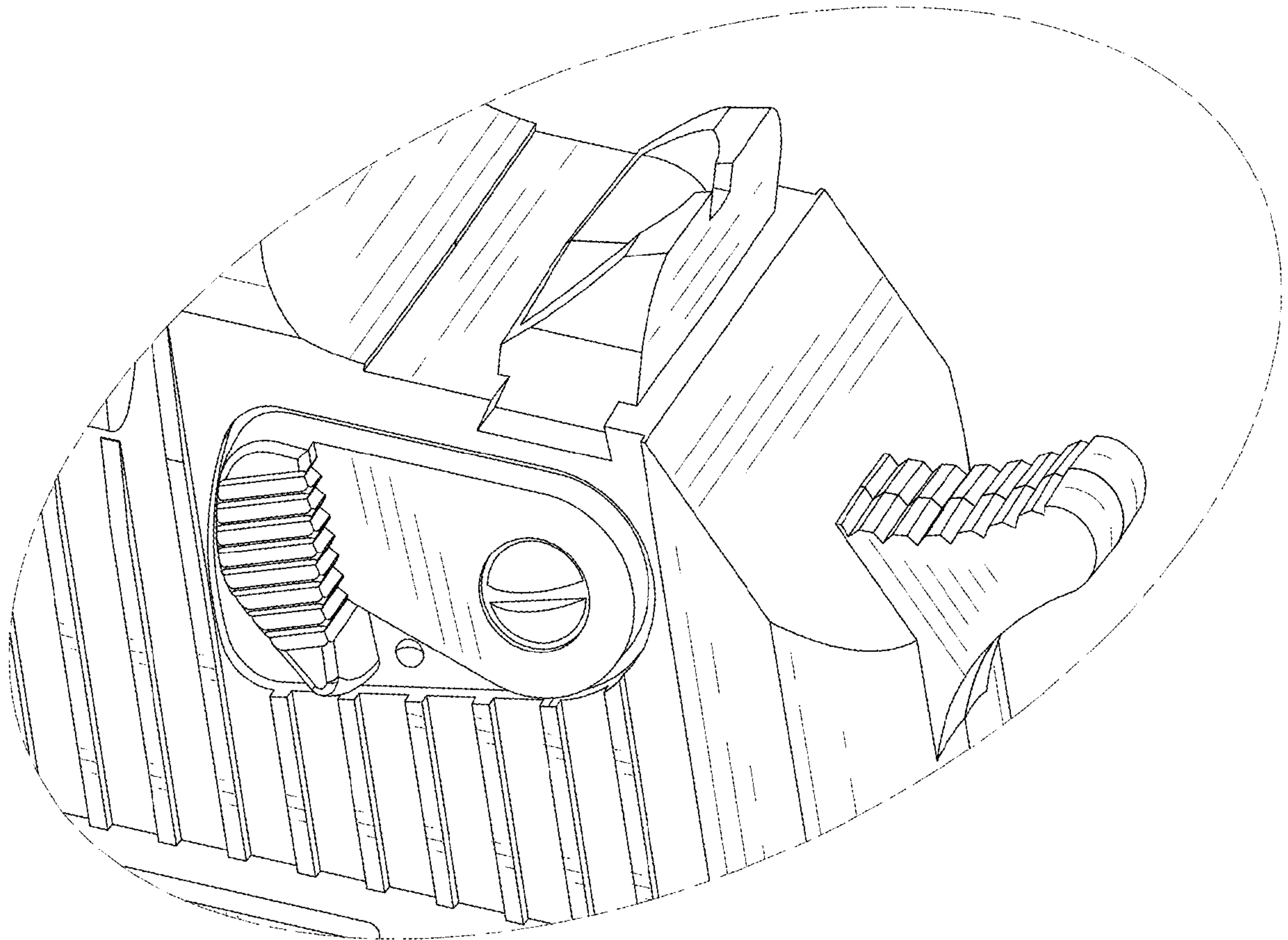


FIG. 9

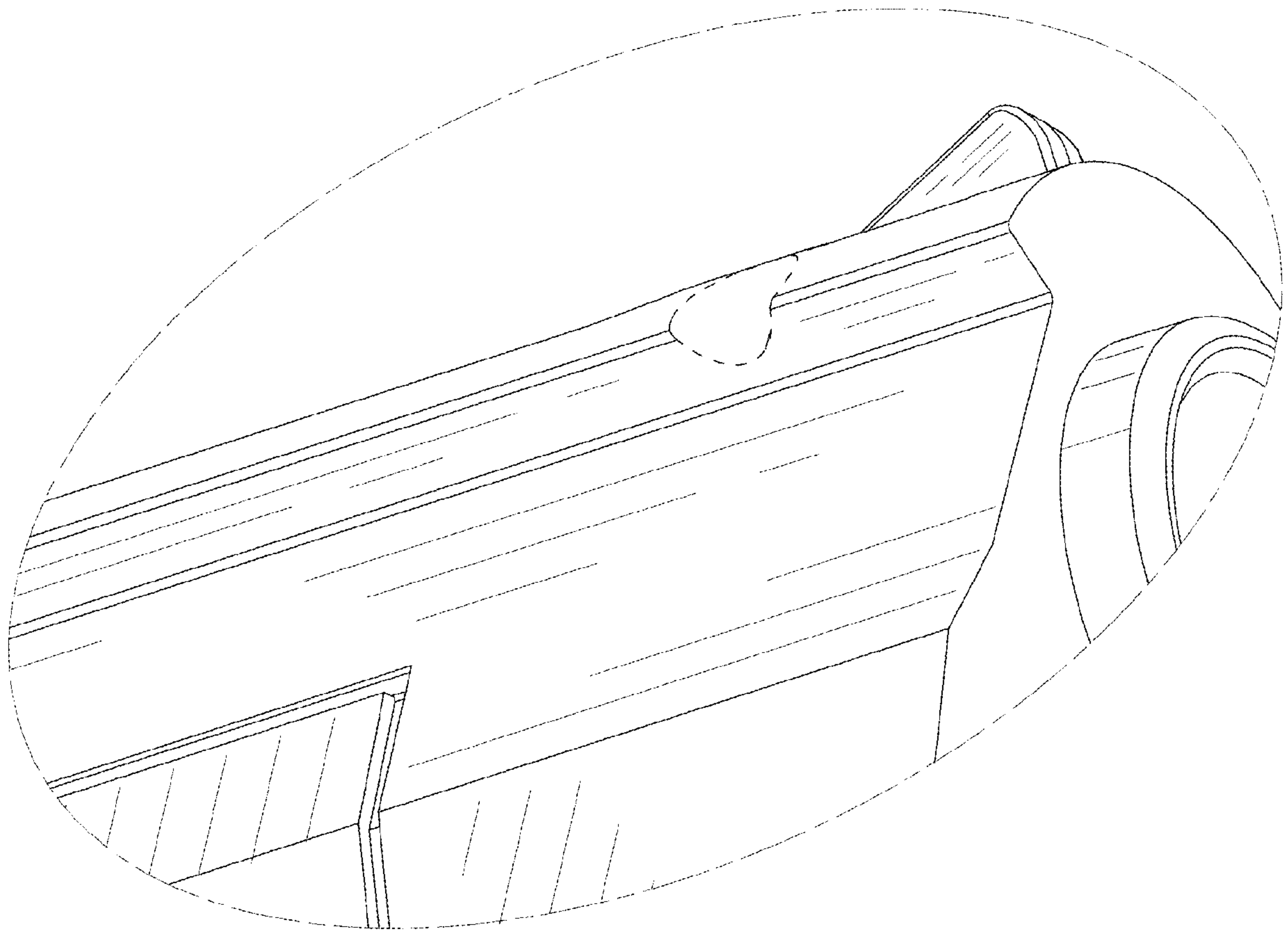


FIG. 10

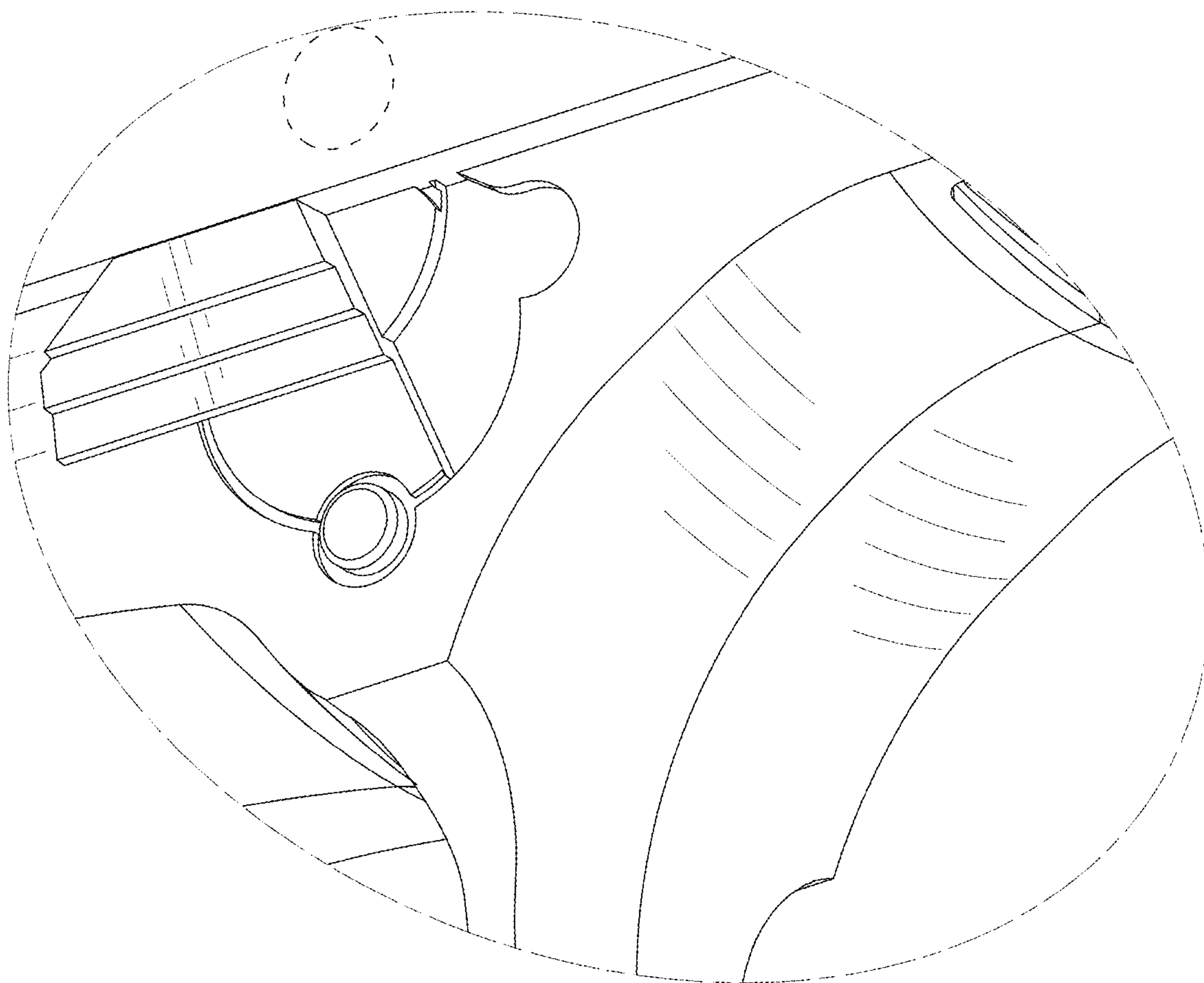


FIG. 11

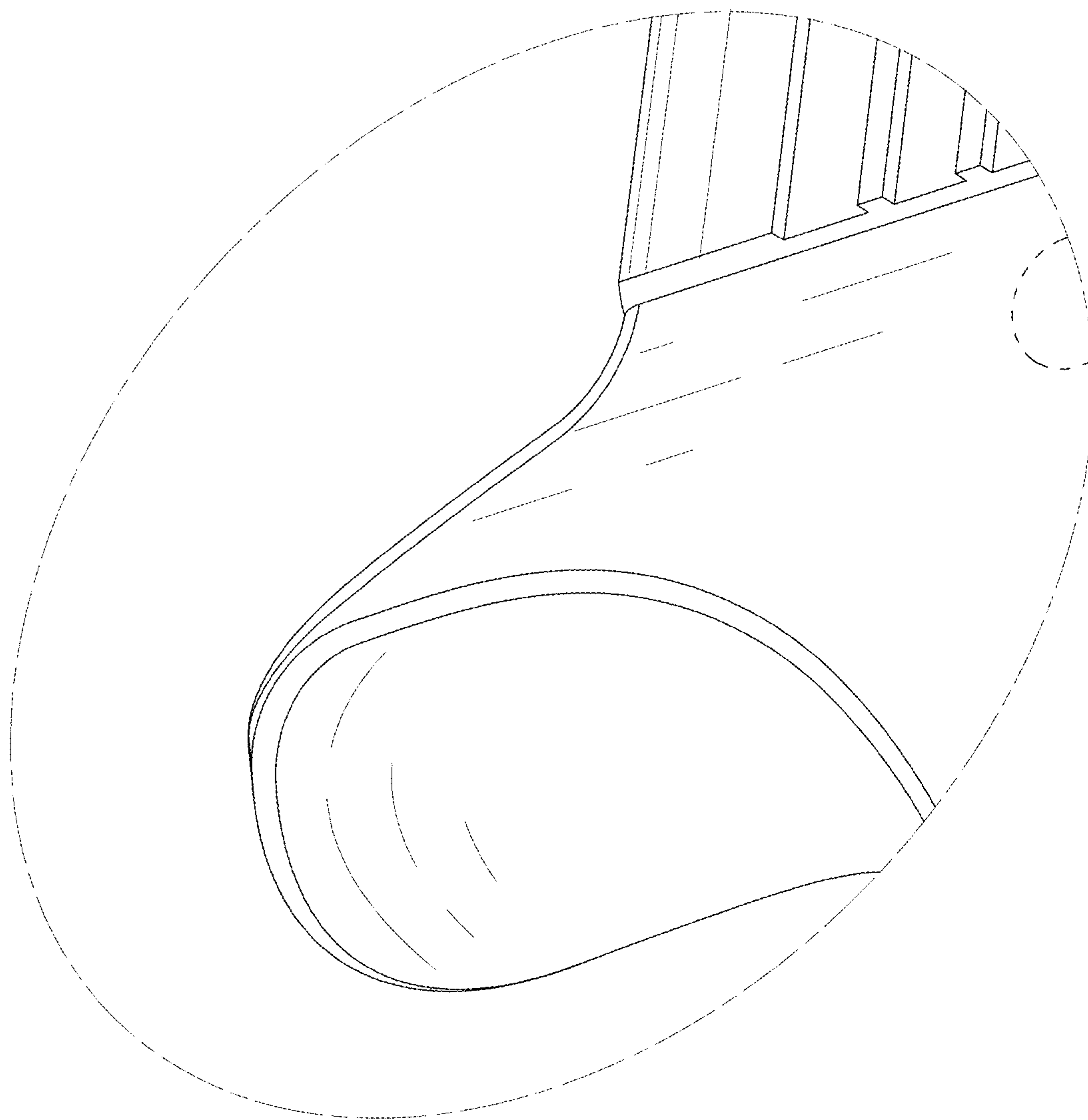


FIG. 12