



US00D973789S

(12) **United States Design Patent**
Zhang

(10) **Patent No.:** **US D973,789 S**

(45) **Date of Patent:** **** Dec. 27, 2022**

(54) **DINOSAUR TOY CAR**

(71) Applicant: **Ancui Zhang**, Sichuan (CN)

(72) Inventor: **Ancui Zhang**, Sichuan (CN)

(**) Term: **15 Years**

(21) Appl. No.: **29/821,936**

(22) Filed: **Jan. 4, 2022**

(51) **LOC (13) Cl.** **21-01**

(52) **U.S. Cl.**

USPC **D21/560**; D21/552; D21/615

(58) **Field of Classification Search**

USPC D21/433–434, 552–561

CPC A63H 17/262; A63H 17/26; A63H 17/00;

A63H 17/004; A63H 17/045; A63H

17/05; A63H 30/00; A63H 11/00; A63H

11/10; A63H 33/005; A63H 11/14; A63H

See application file for complete search history.^{11/12}

(56) **References Cited**

U.S. PATENT DOCUMENTS

D413,838 S *	9/1999	McDaniel	D12/97
D489,776 S *	5/2004	Hoeting	D21/558
D519,578 S *	4/2006	Carruth	D21/615
D819,754 S *	6/2018	Gillenwater	D21/590
D936,756 S	11/2021	Chen		
D939,638 S	12/2021	Chen		
D943,682 S *	2/2022	Alexander	D21/559
D952,055 S *	5/2022	Xu	D21/548
D952,056 S *	5/2022	Xu	D21/548
D952,057 S *	5/2022	Chen	D21/615
2007/0259599 A1 *	11/2007	Swisher	A63H 17/02 446/431
2012/0238182 A1 *	9/2012	Gerber	A63H 11/10 446/279

OTHER PUBLICATIONS

Aotipol, Dinosaur Toy Truck, Aug. 11, 2021, amazon.com, retrieved Aug. 25, 2022, https://www.amazon.com/Dinosaur-Flashing-Lights-Roaring-Carrier/dp/B096VRKSZQ/ref=cm_cr_ar_p_d_pl_foot_top?ie=UTF8 (Year: 2021).*

Tekfun 21 Pack Dinosaur Toy Truck, amazon.com, Dec. 7, 2021, retrieved Aug. 25, 2022, https://www.amazon.com/TEKFUN-Dinosaur-Toddler-Carrier-Playset/product-reviews/B09GFBNDVD/ref=cm_cr_getr_d_paging_btm_next_3?ie=UTF8&reviewerType=all_reviews&sortBy=recent&pageNumber=3 (Year: 2021).*

* cited by examiner

Primary Examiner — Katherine A Holbrow

(74) *Attorney, Agent, or Firm* — ScienBiziP, P.C.

(57) **CLAIM**

The ornamental design for a dinosaur toy car, as shown and described.

DESCRIPTION

FIG. 1 is a front, right, and top perspective view of a dinosaur toy car, showing my design.

FIG. 2 is a rear, left, and bottom perspective view thereof.

FIG. 3 is a front elevation view thereof.

FIG. 4 is a rear elevation view thereof.

FIG. 5 is a left side elevation view thereof.

FIG. 6 is a right side elevation view thereof.

FIG. 7 is a top plan view thereof.

FIG. 8 is a bottom plan view thereof.

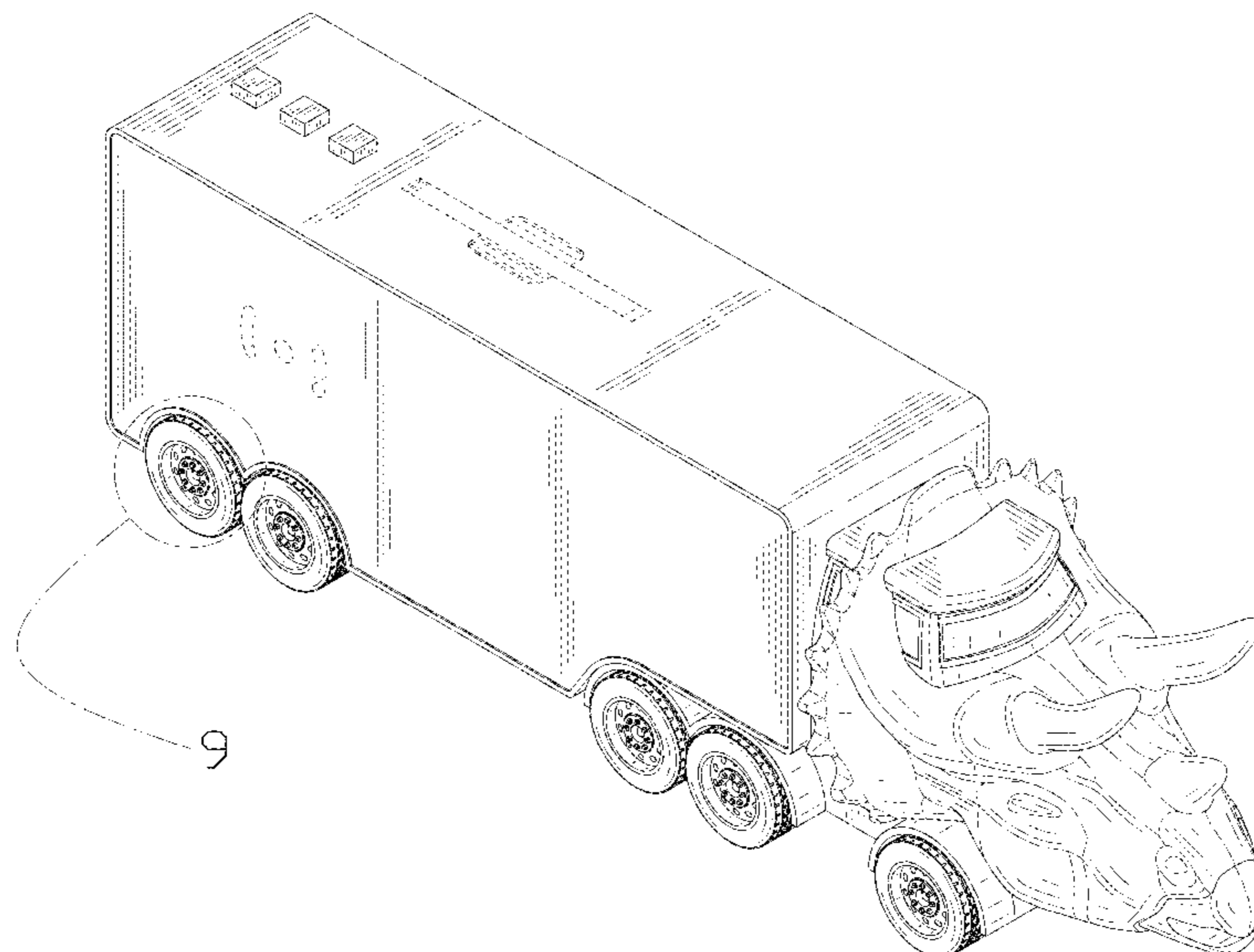
FIG. 9 is a partial enlarged view of an area labeled 9 in FIG. 1 comprising a wheel; and,

FIG. 10 is a partial enlarged view of an area labeled 10 in FIG. 2 comprising a wheel.

The broken lines shown in the drawings are included for the purpose of illustrating portions of the dinosaur toy car that form no part of the claimed design.

Dot-dash broken lines framing portions of the claimed design that are illustrated for enlargements form no part of the claimed design.

1 Claim, 10 Drawing Sheets



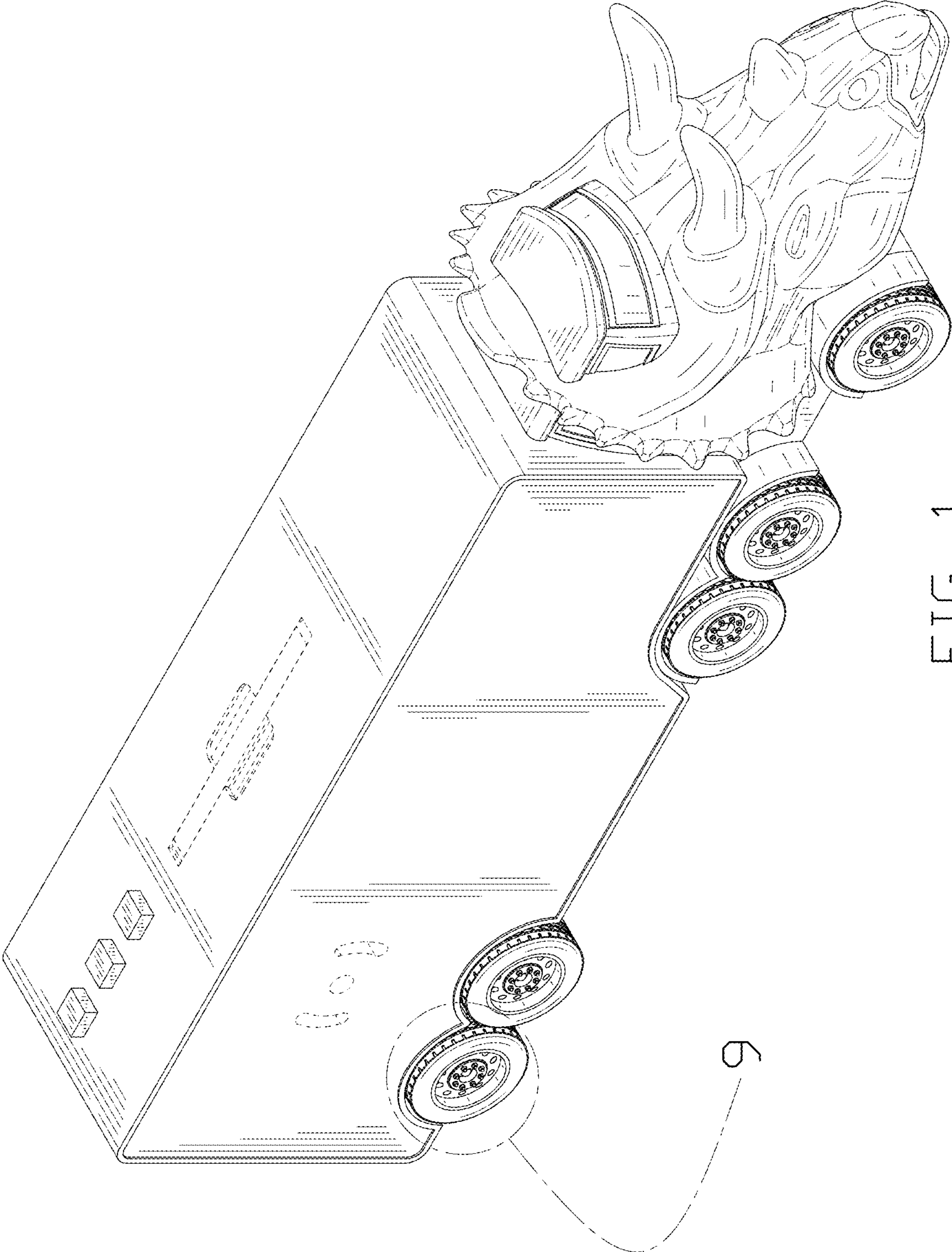
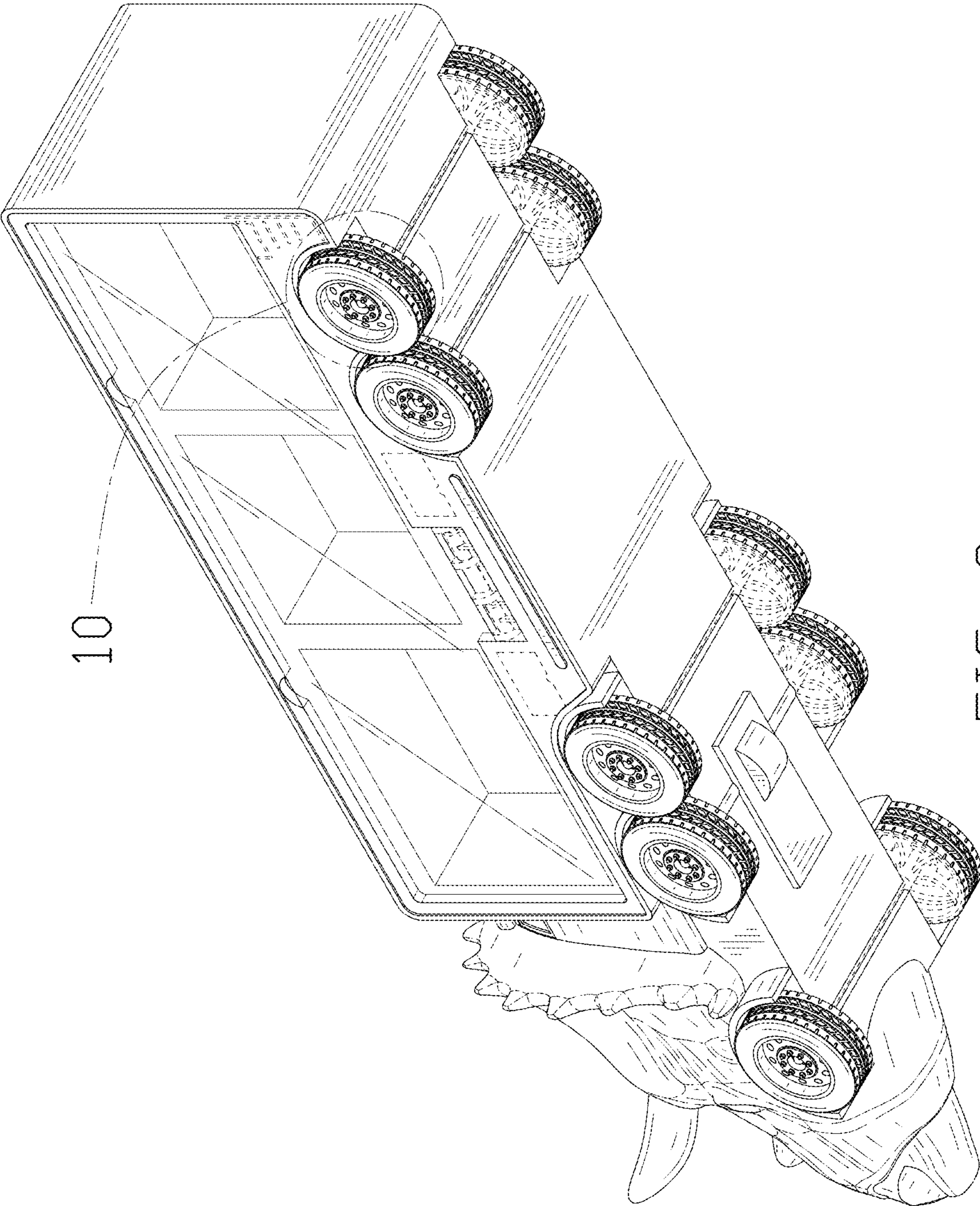


FIG. 1



10

FIG. 2

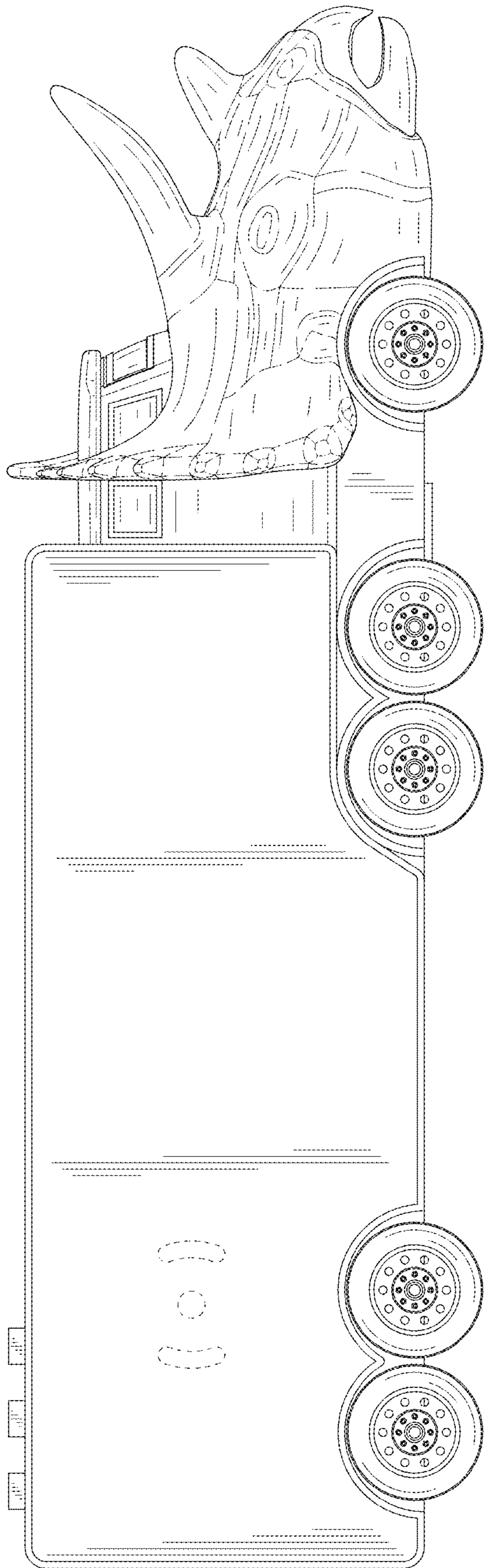


FIG. 3

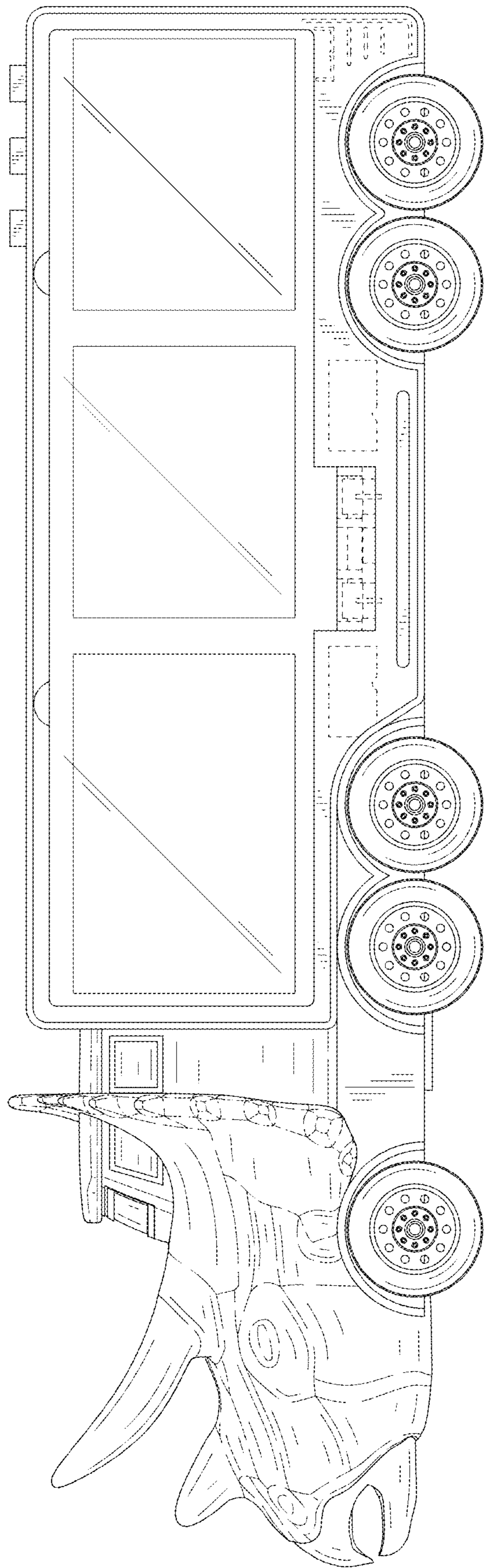


FIG. 4

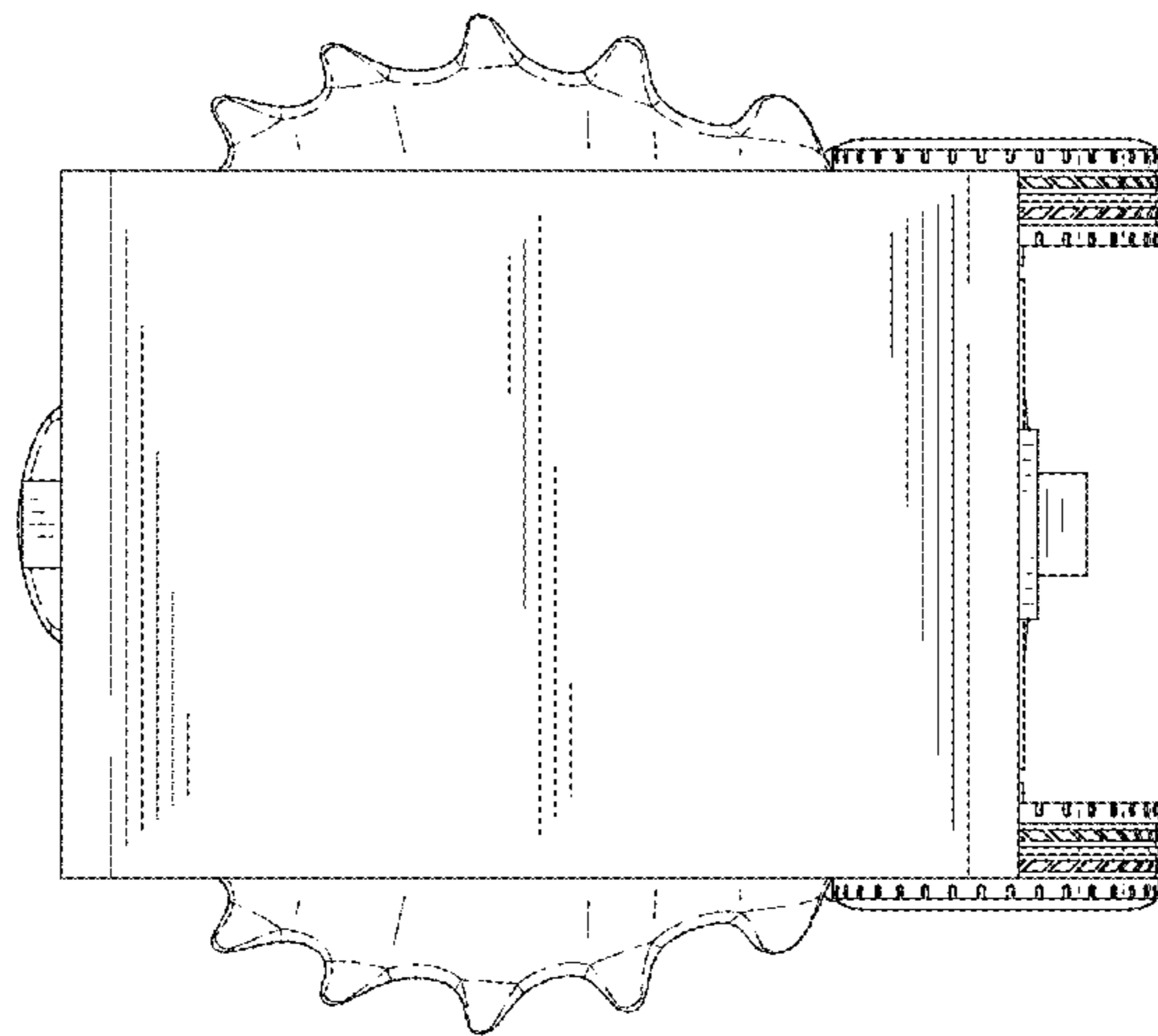


FIG. 5

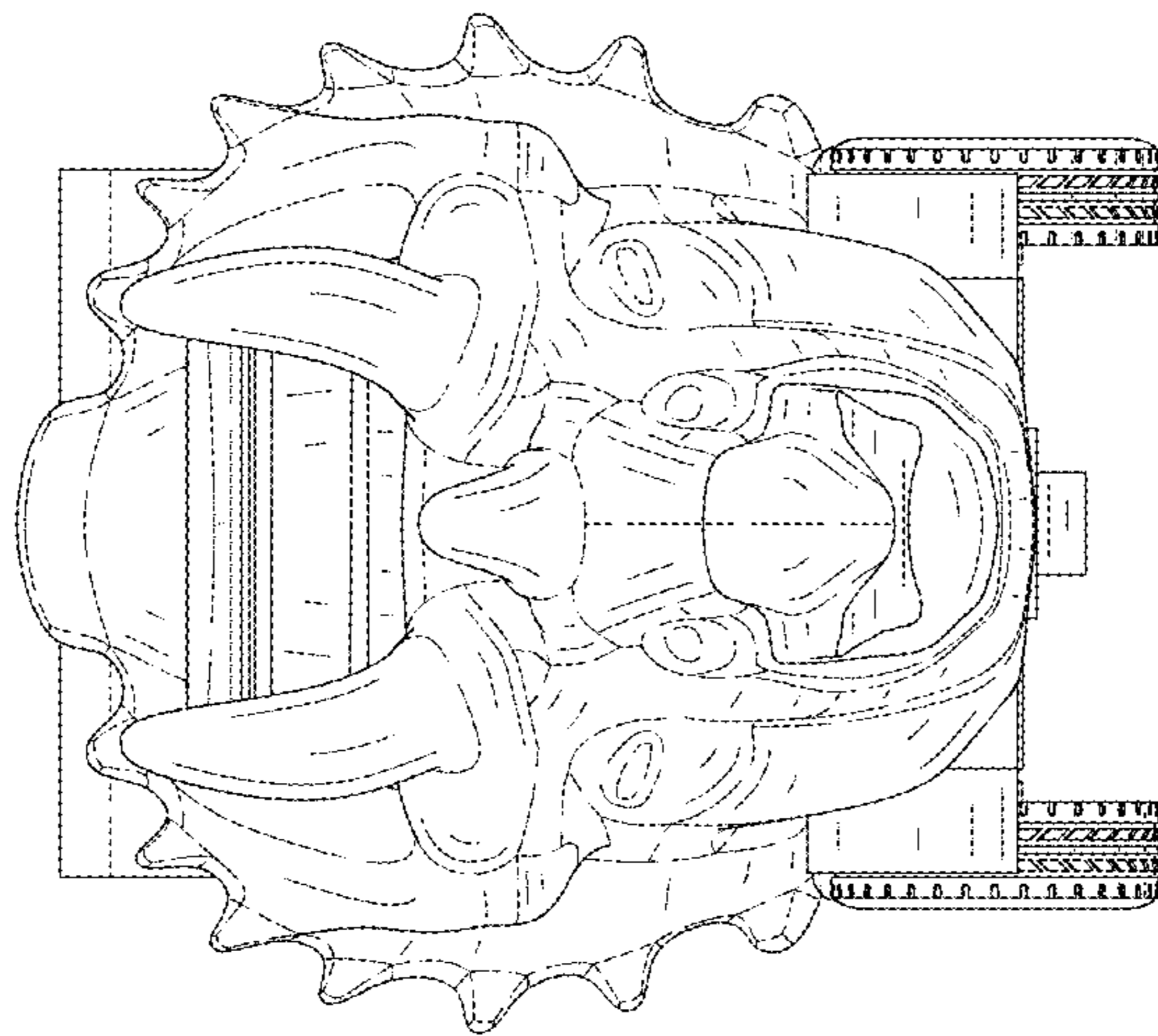


FIG. 6

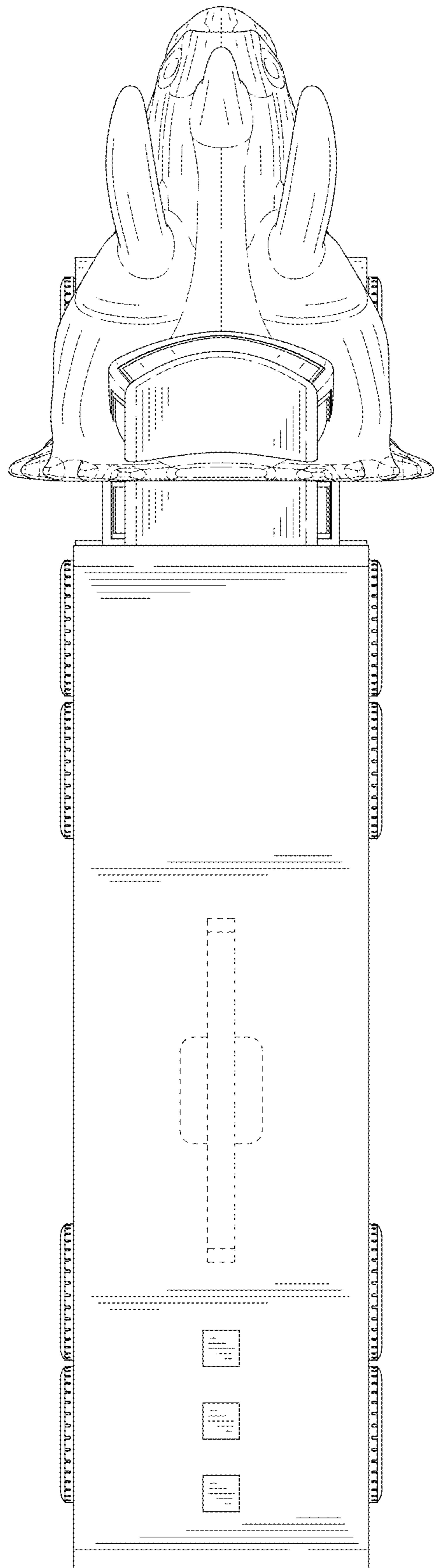


FIG. 7

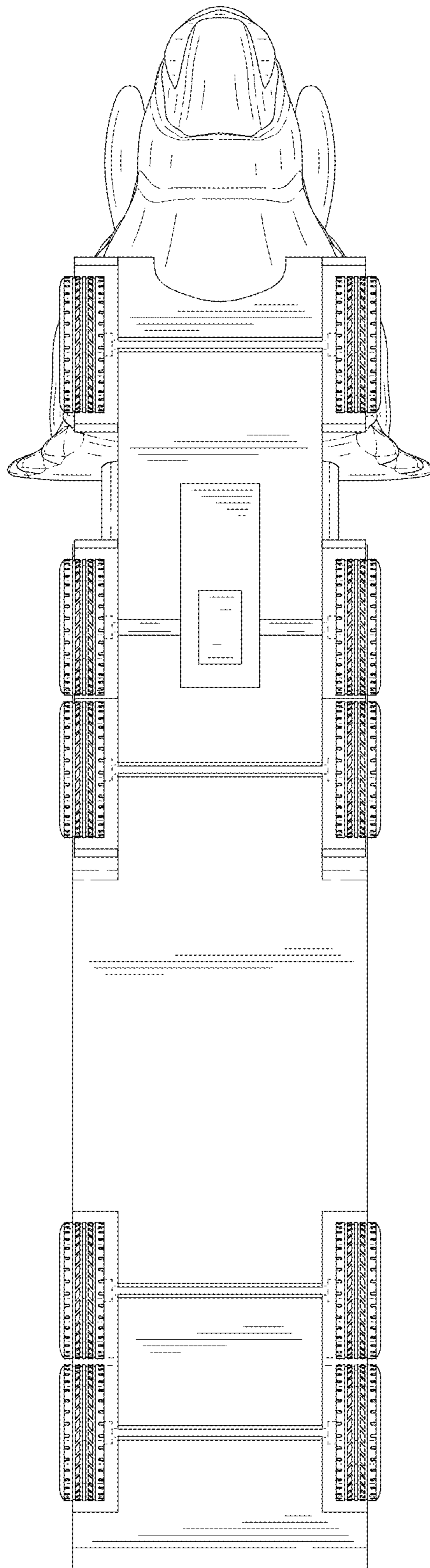


FIG. 8

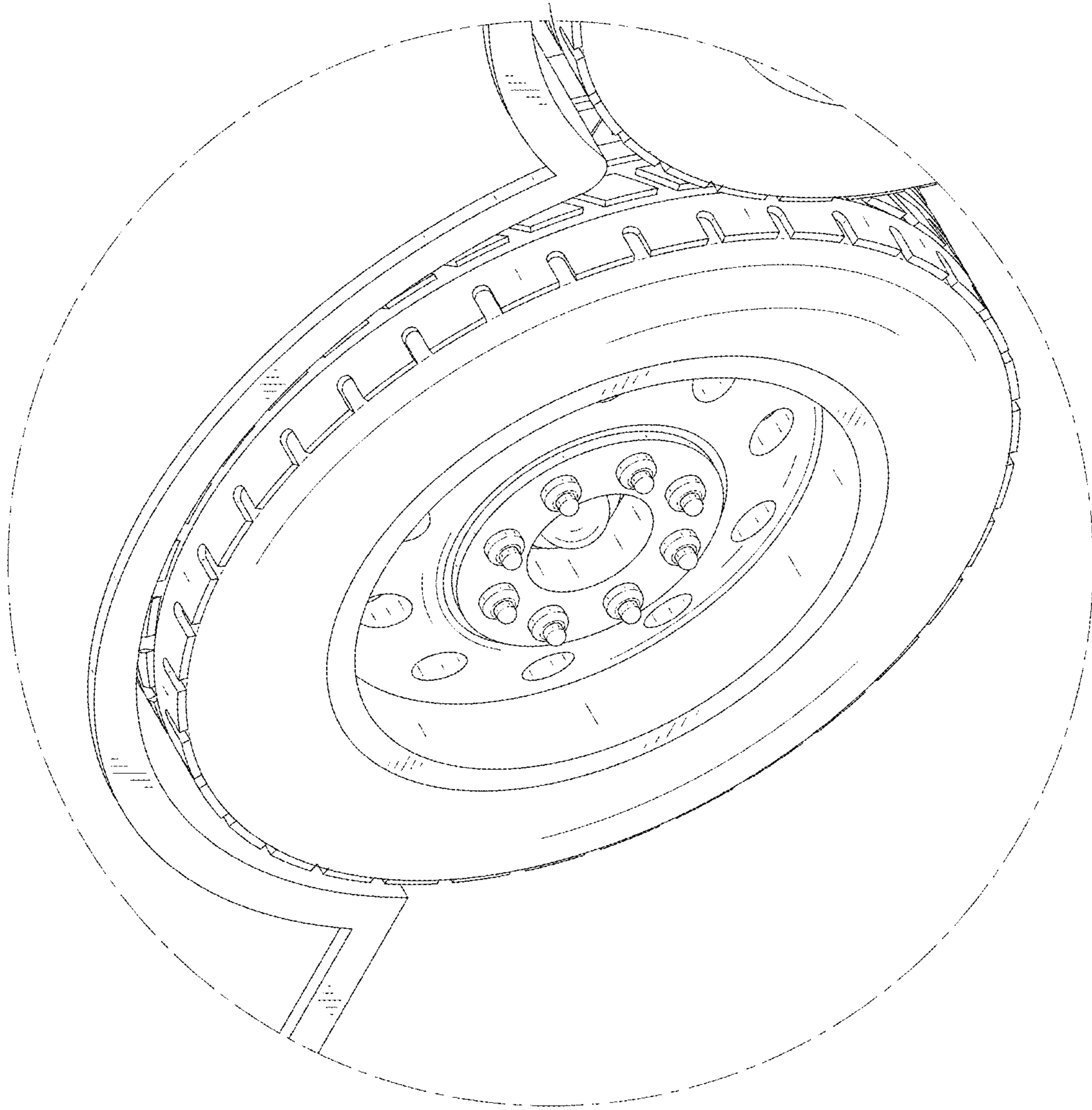


FIG. 9

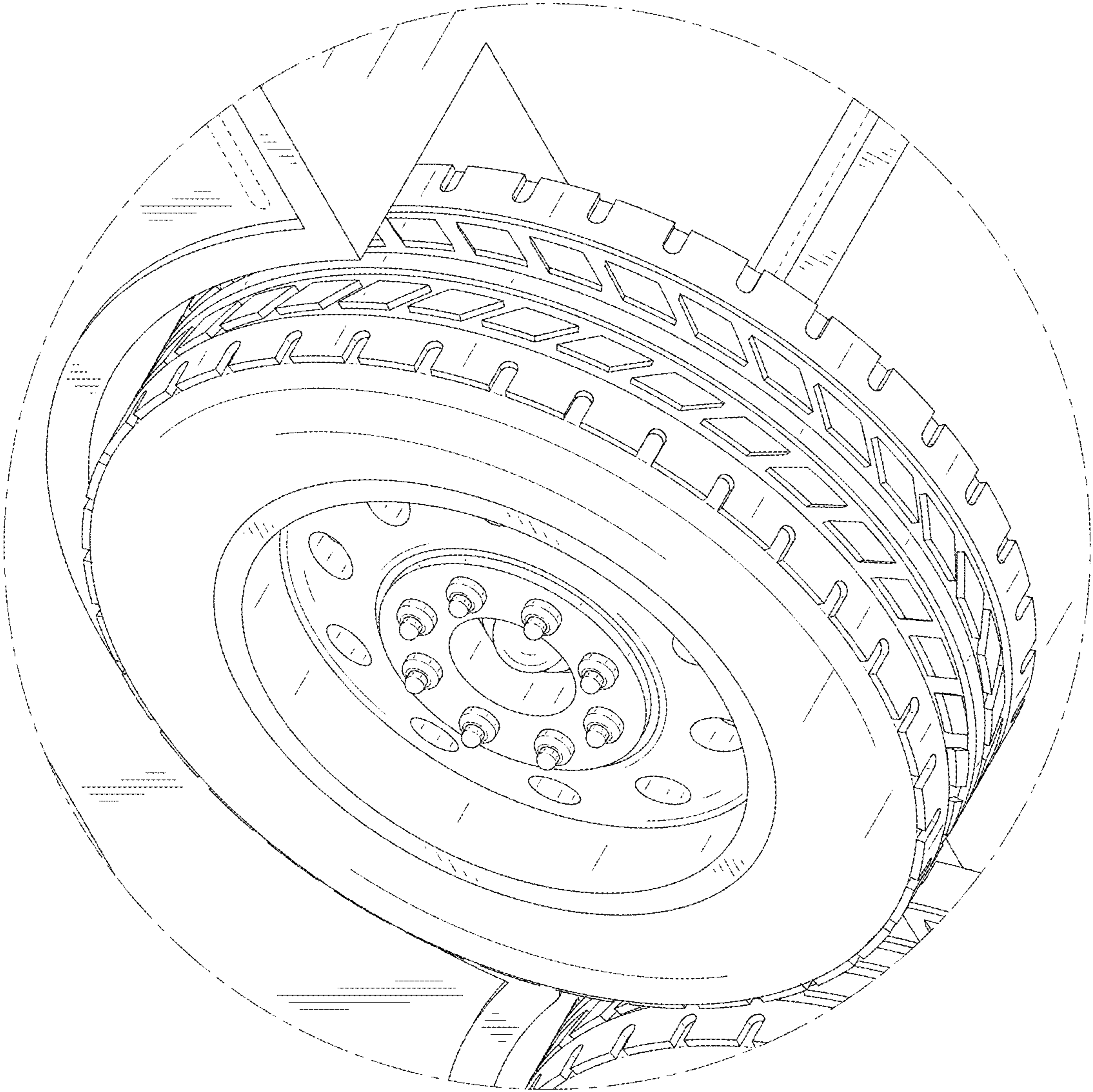


FIG. 10