



US00D973788S

(12) **United States Design Patent**
Park et al.

(10) **Patent No.:** **US D973,788 S**
(45) **Date of Patent:** **** Dec. 27, 2022**

(54) **TOY BLOCK**

(71) Applicant: **GYMWORLD INC.**, Seoul (KR)

(72) Inventors: **Kee Young Park**, Seoul (KR); **Chang Moon Lee**, Gwangmyeong-si (KR); **So Lee Kang**, Seoul (KR); **Jo Un Yi**, Seoul (KR); **Yeong Du Jeon**, Gimpo-si (KR)

(73) Assignee: **GYMWORLD INC.**, Seoul (KR)

(**) Term: **15 Years**

(21) Appl. No.: **29/746,099**

(22) Filed: **Aug. 11, 2020**

(30) **Foreign Application Priority Data**

Jul. 16, 2020 (KR) 30-2020-0032940

(51) **LOC (13) Cl.** **21-01**

(52) **U.S. Cl.**
USPC **D21/500**

(58) **Field of Classification Search**
USPC D21/381, 484, 485, 486, 489, 491, 492, D21/494, 498, 499, 500, 501, 502, 503, D21/504, 505, 398, 455, 467, 468, 470, D21/473, 475, 478, 479, 480, 645, 329, D21/400, 803; D12/316; D7/584-588, D7/601, 602; D9/737, 499

CPC .. A63F 9/06; A63F 9/08; A63H 33/04; G09B 1/00; G09B 1/02; G09B 1/06

See application file for complete search history.

(56) **References Cited**

U.S. PATENT DOCUMENTS

D229,812 S * 1/1974 Swampscott D9/425
D280,122 S * 8/1985 Maertin D21/803
D366,989 S * 2/1996 Zimmerman D7/629
D488,161 S * 4/2004 Korpai D6/300
D514,821 S * 2/2006 Mohundro D6/300
D519,216 S * 4/2006 Sandor D25/103

D532,206 S * 11/2006 Mohundro D6/300
D565,527 S * 4/2008 Riggs D14/129
D616,045 S * 5/2010 Tervo D21/501
D618,516 S * 6/2010 DiPietro D7/629
D628,471 S * 12/2010 Golota D9/425

(Continued)

FOREIGN PATENT DOCUMENTS

JP D1696802 * 10/2021
KR 301030592.0000 * 11/2019
WO WO-D212897-001 * 7/2021

OTHER PUBLICATIONS

Magformers Girl, available on Amazon.com, oldest customer date Apr. 6, 2018, [site visited Apr. 7, 2022], URL: <https://www.amazon.com/Magformers-Character-Educational-Magnetic-Geometric/dp/B06XJH6FZB> (Year: 2018).*

(Continued)

Primary Examiner — Dana K Weiland

Assistant Examiner — Emily Anna Saunders

(74) *Attorney, Agent, or Firm* — Stuebaker & Brackett PC

(57) **CLAIM**

The ornamental design for a toy block, as shown and described.

DESCRIPTION

FIG. 1 is a perspective view of the toy block showing the new design;

FIG. 2 is a front view thereof;

FIG. 3 is a rear view thereof;

FIG. 4 is a left side view thereof;

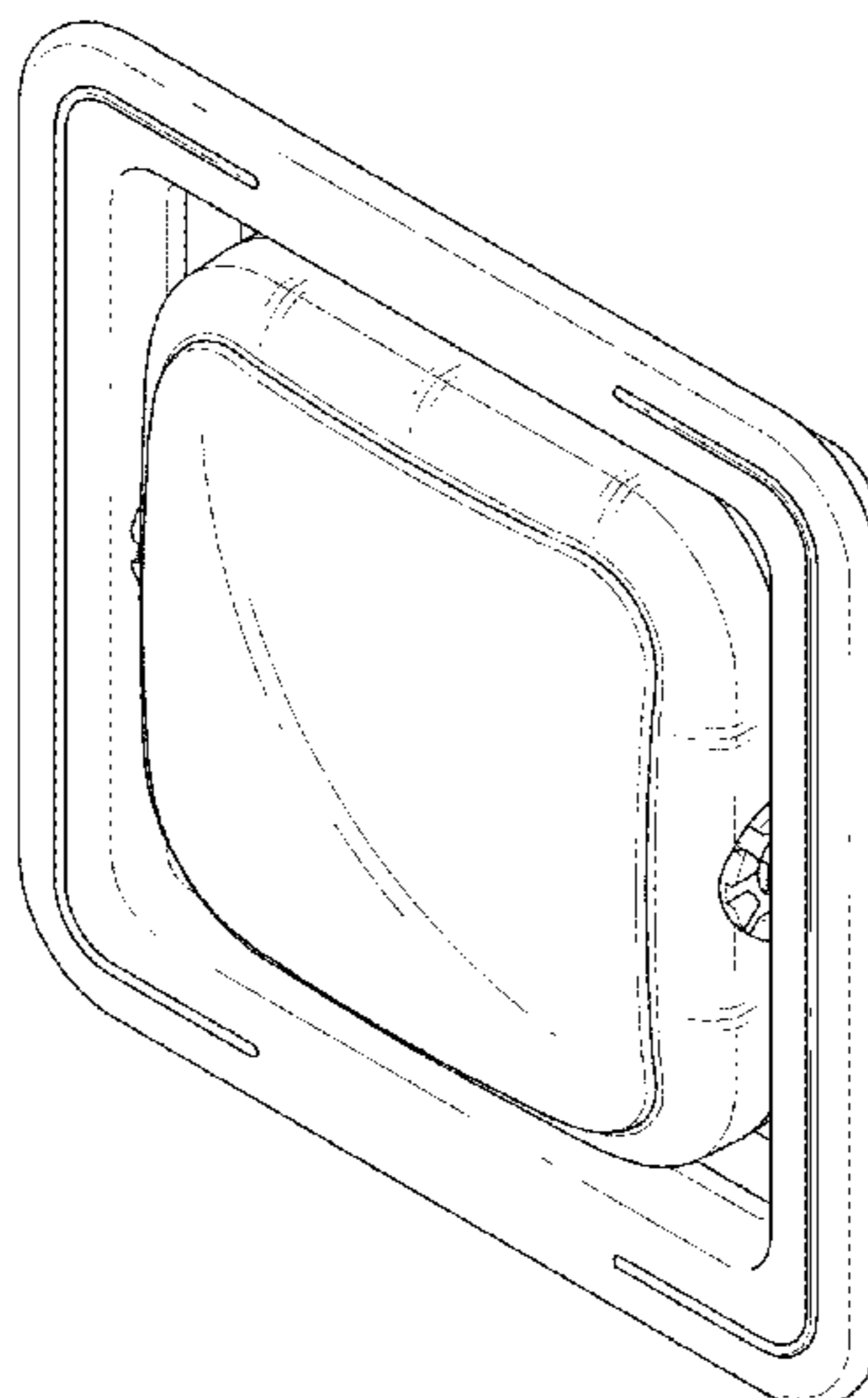
FIG. 5 is a right side view thereof;

FIG. 6 is a top view thereof; and,

FIG. 7 is a bottom view thereof.

The broken lines shown in the figures depict portions of the toy block, that form no part of the claimed design.

1 Claim, 6 Drawing Sheets



(56)

References Cited

U.S. PATENT DOCUMENTS

D631,300 S * 1/2011 Samartgis D7/630
D632,346 S * 2/2011 Hardstaff D21/501
D641,217 S * 7/2011 Chen D7/667
8,157,123 B2 * 4/2012 Tucker B65D 43/0206
220/789
D706,623 S * 6/2014 Murphy D9/426
D712,703 S * 9/2014 Lipinski D7/602
D759,478 S * 6/2016 Fife D9/425
D830,791 S * 10/2018 Lee D7/629
D894,691 S * 9/2020 Nouri D7/602
2016/0074766 A1 * 3/2016 Choi A63H 33/046
446/92
2017/0182429 A1 * 6/2017 Choi A63H 33/046

OTHER PUBLICATIONS

Pngy 25PCS Bubble Fidget, available on Amazon.com, oldest customer review Sep. 23, 2021, [site visited Apr. 7, 2022], URL: <https://www.amazon.com/Pngy-Splicing-Building-Infinity-Emotional/product-reviews/B097T41H9N/> (Year: 2021).*

Magformers LED Lighted Set, available on YouTube.com, date posted Mar. 19, 2015, [site visited Apr. 7, 2022], URL: <https://www.youtube.com/watch?v=CmSXrLCF17w> (Year: 2015).*

Magformers Creative Play Set, available on Faoschwarz.com, [site visited Apr. 7, 2022], URL: <https://faoschwarz.com/products/creative-play-set> (Year: 2022).*

* cited by examiner

FIG. 1

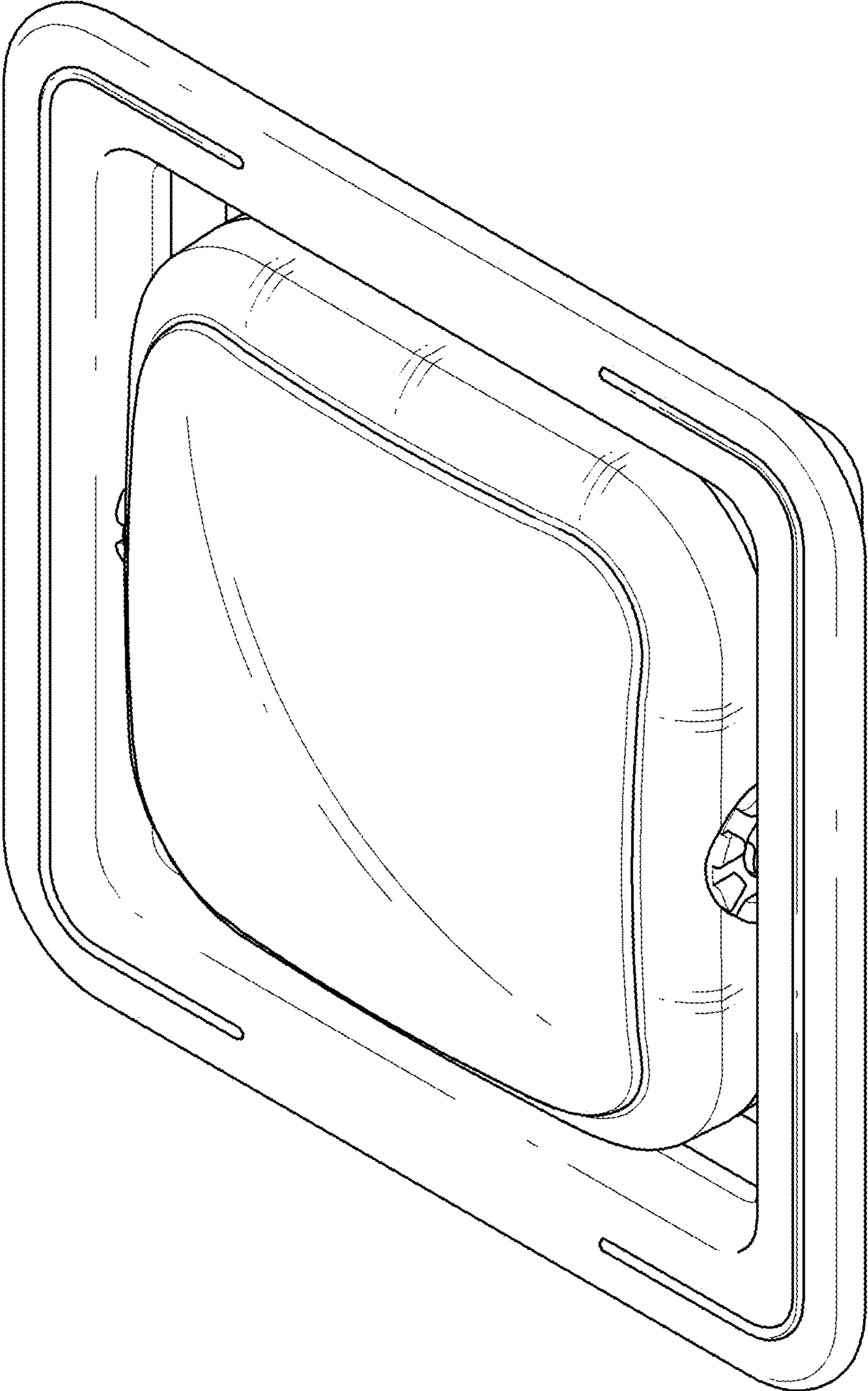


FIG. 2

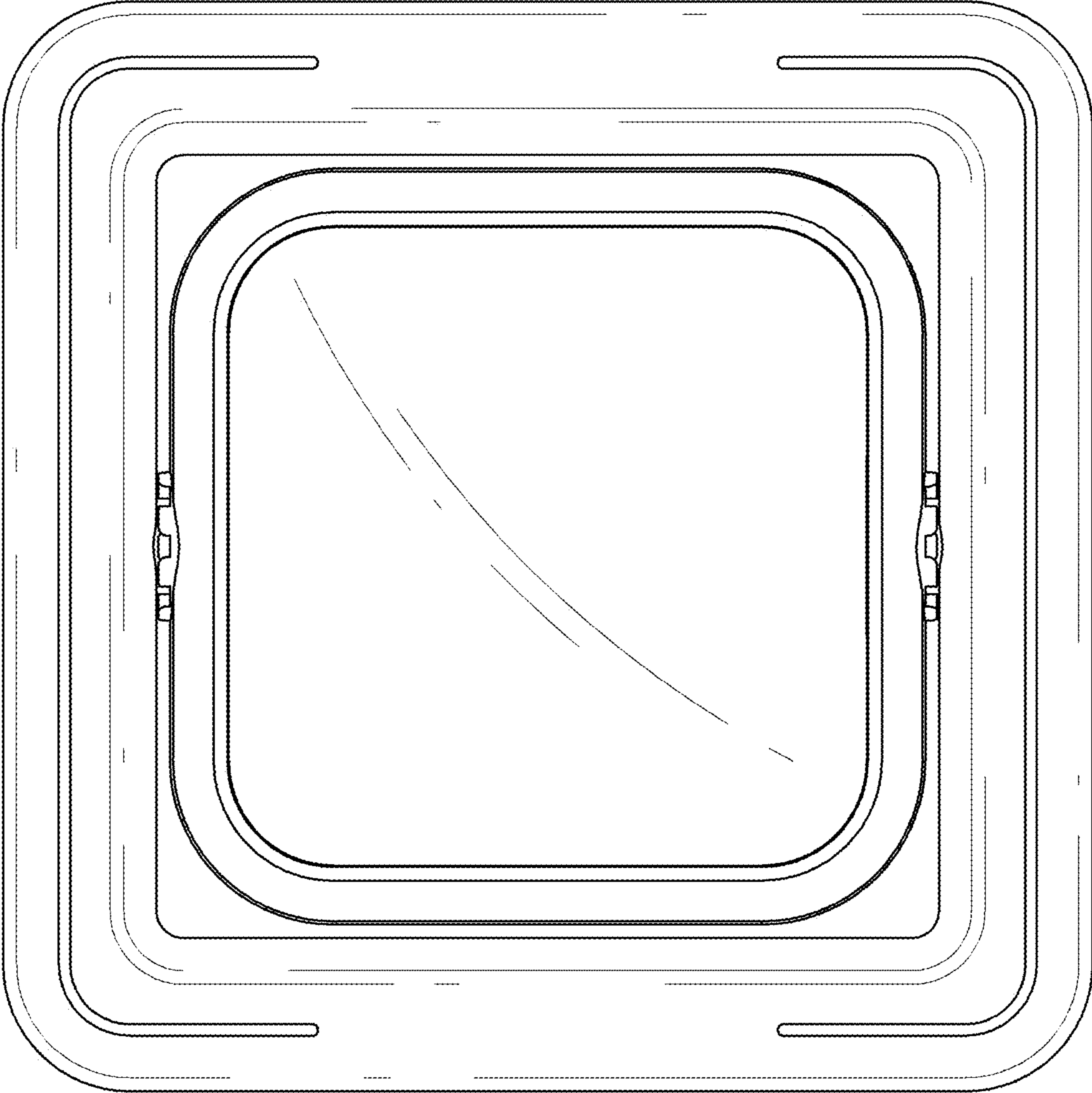


FIG. 3

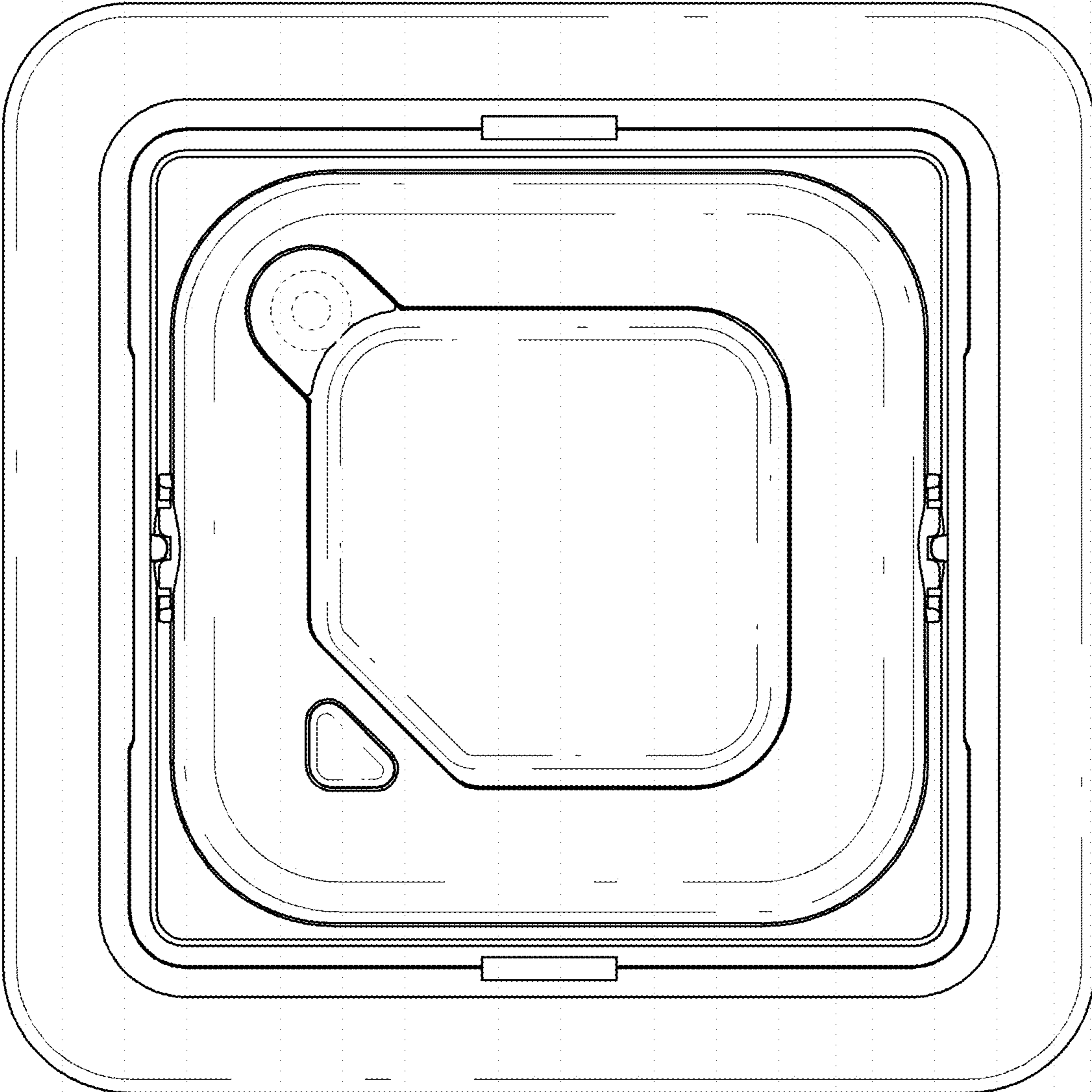


FIG. 4

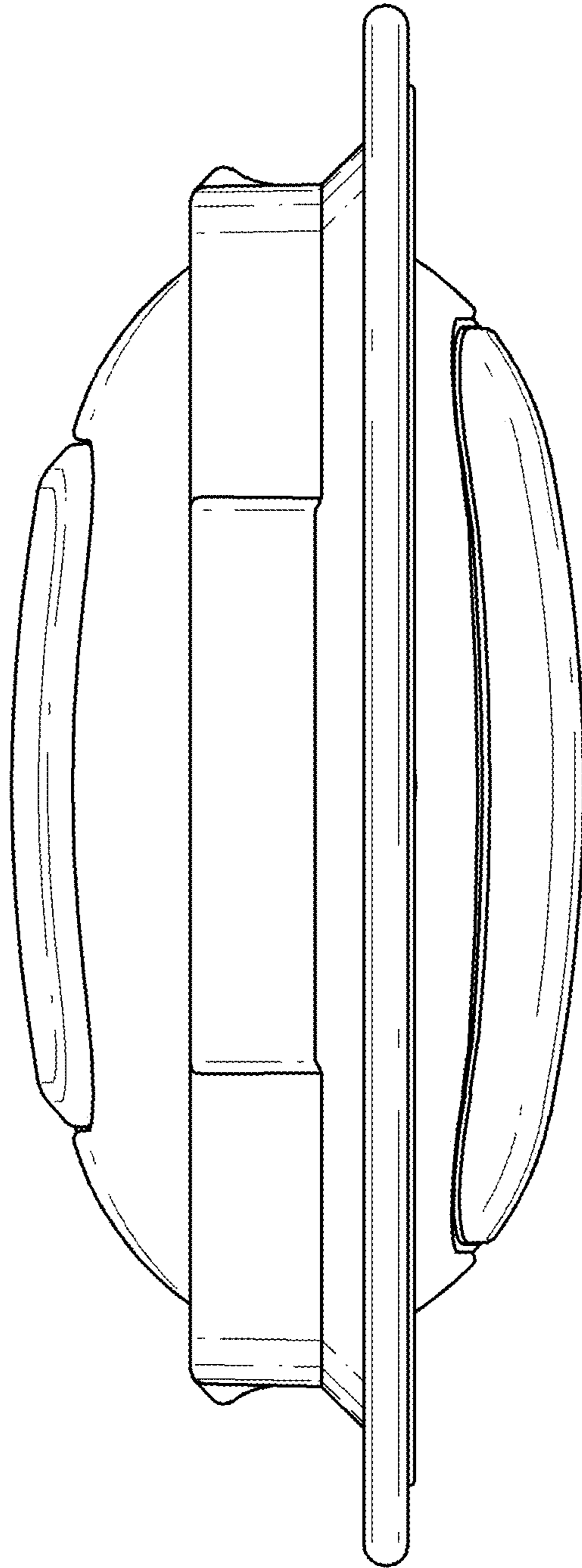


FIG. 5

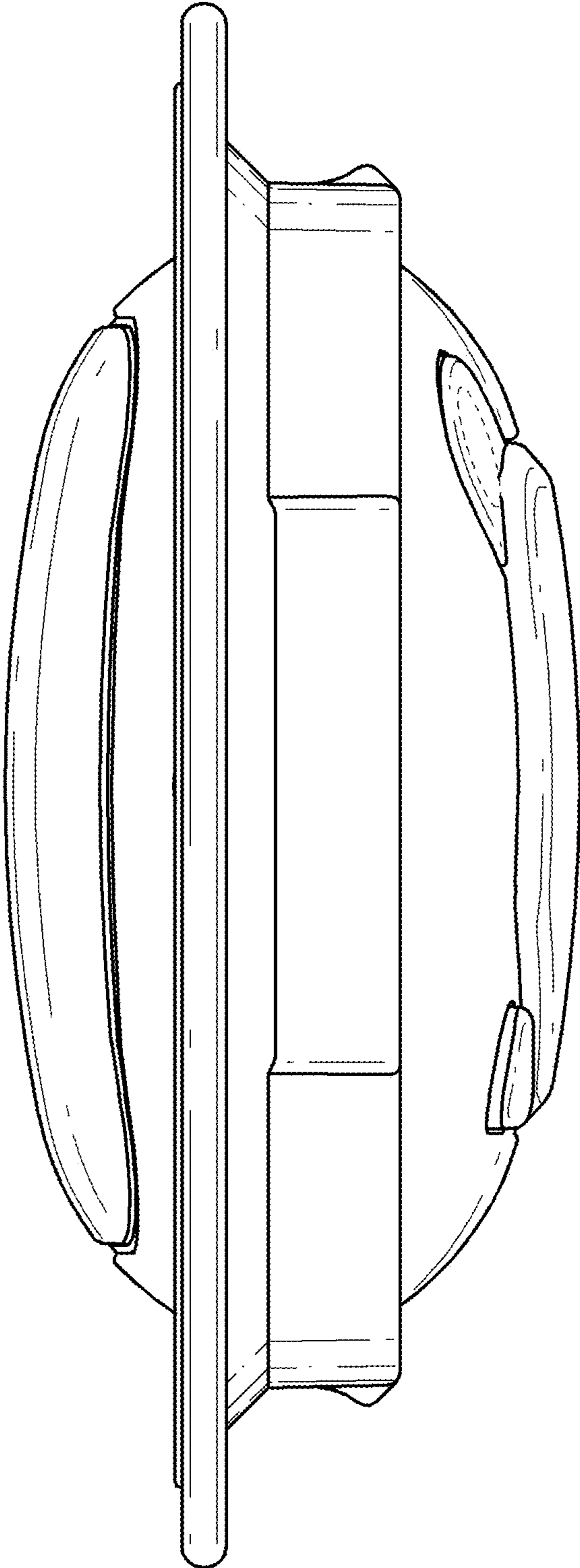


FIG. 6

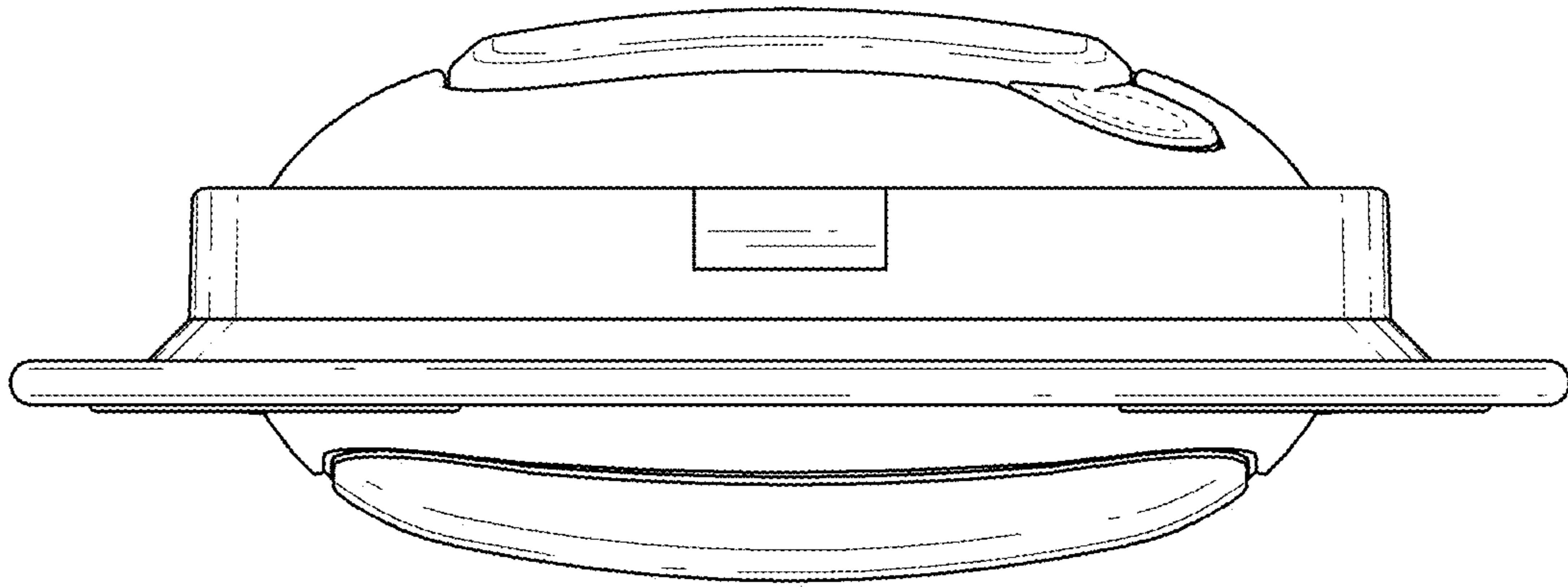


FIG. 7

