



US00D973784S

(12) **United States Design Patent**
Xiao

(10) **Patent No.:** **US D973,784 S**

(45) **Date of Patent:** **** Dec. 27, 2022**

(54) **TOY AIRCRAFT**

(71) Applicant: **GUANGDONG SYMA MODEL AIRCRAFT INDUSTRIAL CO., LTD.**, Shantou (CN)

(72) Inventor: **Jiongliang Xiao**, Shantou (CN)

(73) Assignee: **GUANGDONG SYMA MODEL AIRCRAFT INDUSTRIAL CO., LTD.**, Shantou (CN)

(**) Term: **15 Years**

(21) Appl. No.: **29/775,531**

(22) Filed: **Mar. 24, 2021**

(51) **LOC (13) Cl.** **21-01**

(52) **U.S. Cl.**
USPC **D21/436; D12/16.1**

(58) **Field of Classification Search**
USPC D12/1, 2, 3, 4, 16.1, 174, 319–345;
D21/436–455

CPC B64C 29/0033; B64C 2201/021; B64C 29/02; B64C 2201/088; B64C 2201/104; B64C 2201/141

See application file for complete search history.

(56) **References Cited**

U.S. PATENT DOCUMENTS

D710,452 S * 8/2014 Barajas D21/450
D814,385 S * 4/2018 Zhao D12/328

D849,845 S * 5/2019 Zhao D21/436
D873,175 S * 1/2020 Li D12/328
D875,602 S * 2/2020 Xu D12/328
D891,298 S * 7/2020 Zhao D12/16.1
D906,881 S * 1/2021 Chen D21/441
D913,193 S * 3/2021 Xu D12/328
D944,683 S * 3/2022 Wang D12/328
2015/0051755 A1* 2/2015 Erhart G05D 1/102
701/2
2015/0129711 A1* 5/2015 Caubel B64C 39/024
244/17.23
2015/0336670 A1* 11/2015 Zhang B29C 43/003
244/119

* cited by examiner

Primary Examiner — John A Voytek

(74) *Attorney, Agent, or Firm* — Jeenam Park

(57) **CLAIM**

The ornamental design for a toy aircraft, as shown and described.

DESCRIPTION

FIG. 1 is a front elevation view of a toy aircraft showing my design;

FIG. 2 is a back elevation view thereof;

FIG. 3 is a left side view thereof;

FIG. 4 is a right side view thereof;

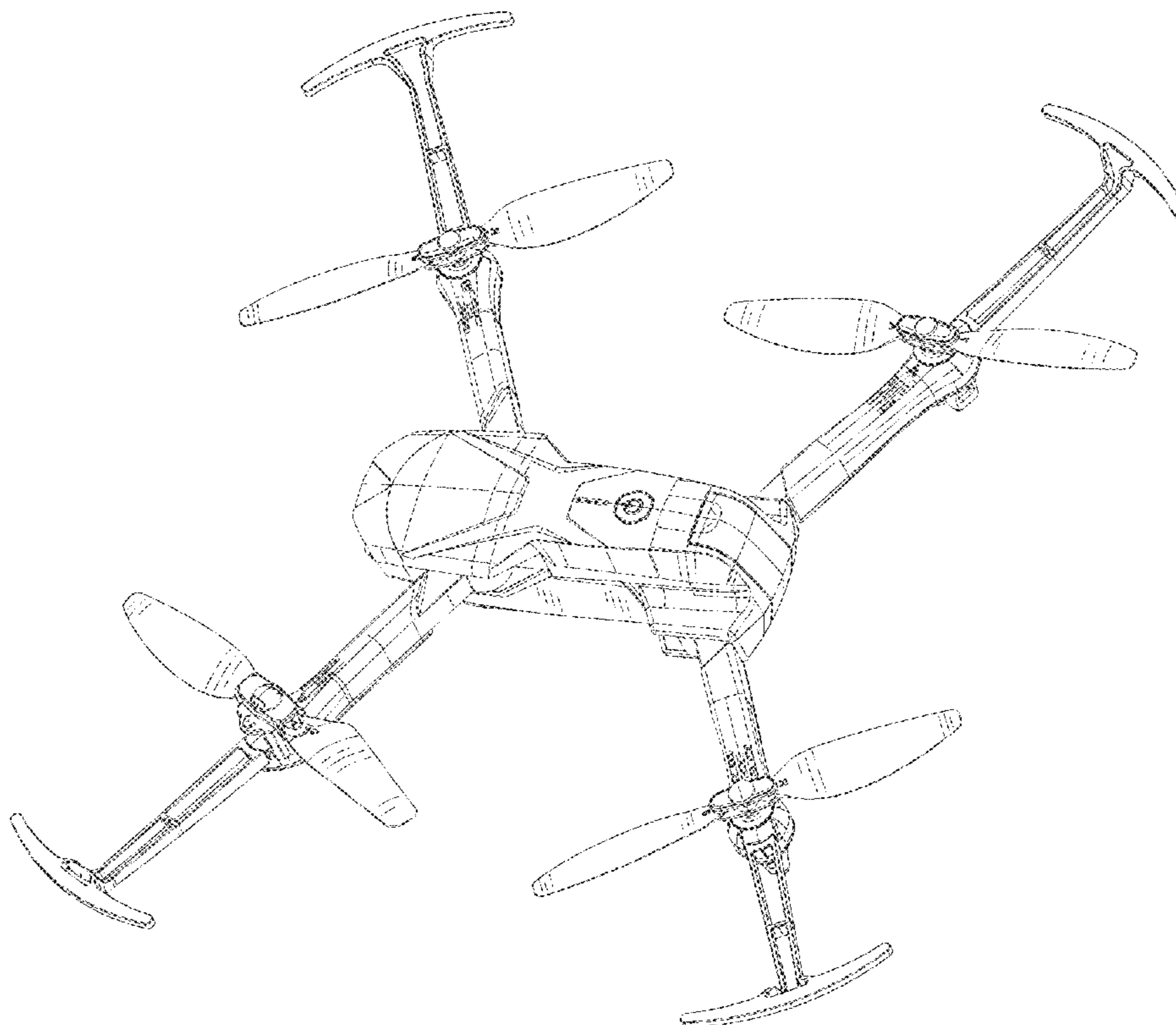
FIG. 5 is a top plan view thereof;

FIG. 6 is a bottom plan view thereof;

FIG. 7 is a perspective view thereof; and,

FIG. 8 is another perspective view thereof.

1 Claim, 8 Drawing Sheets



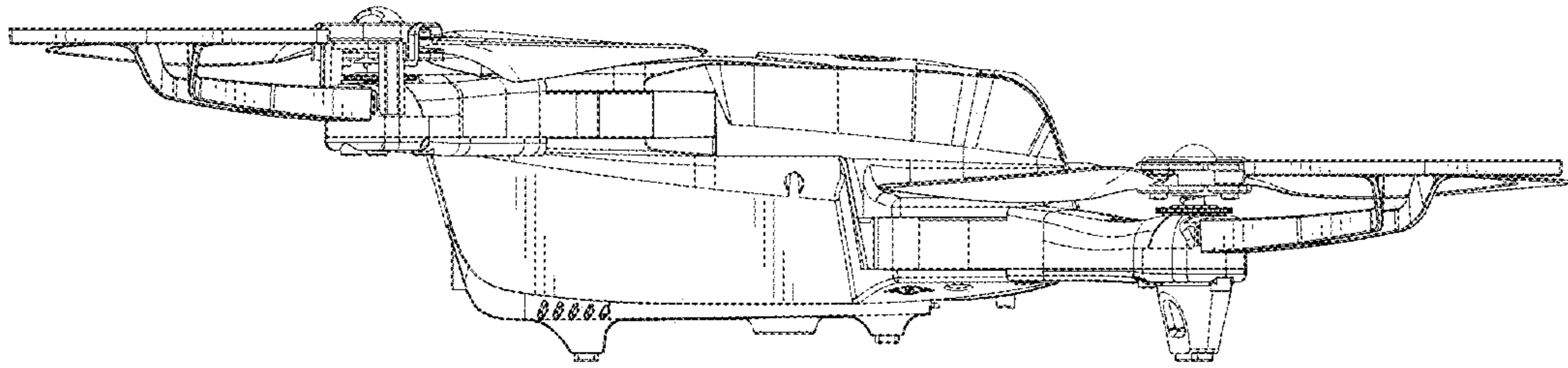


FIG. 1

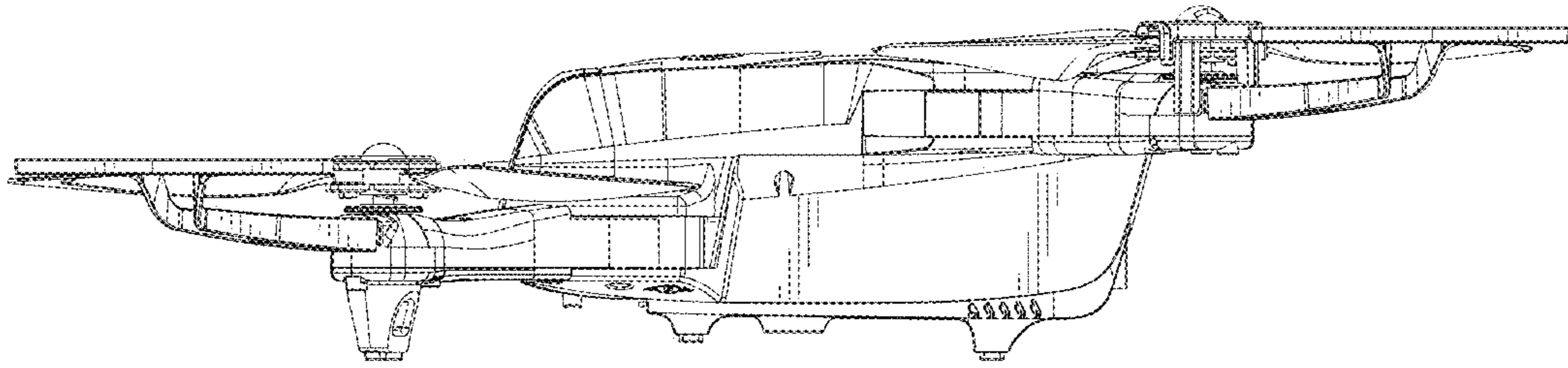


FIG. 2

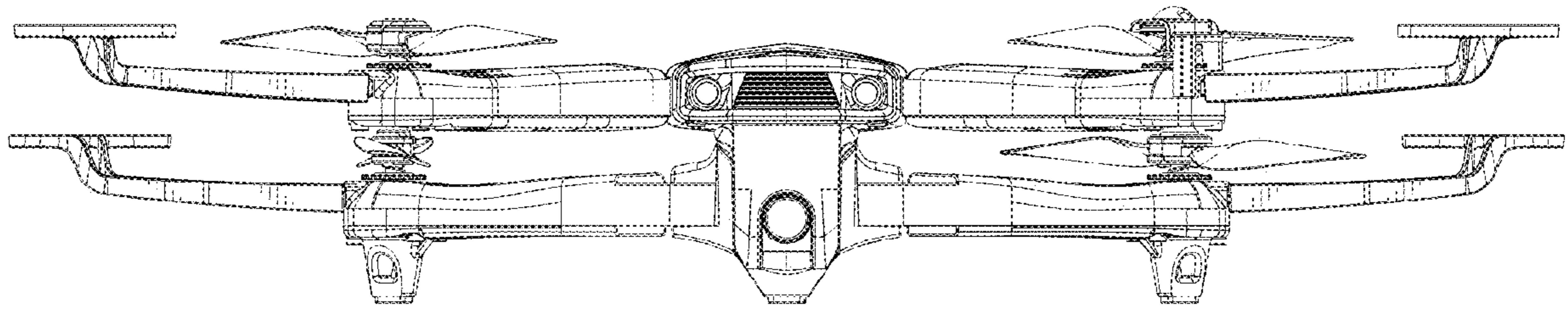


FIG. 3

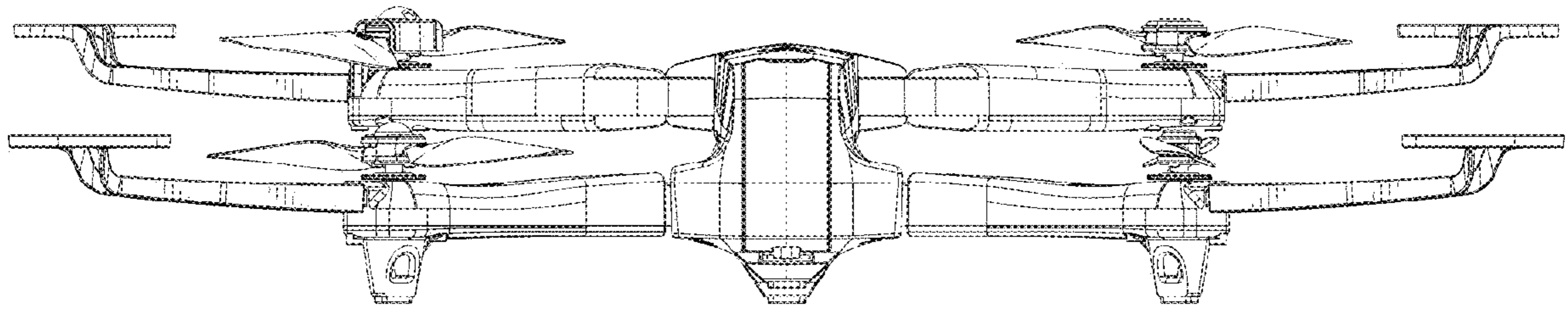


FIG. 4

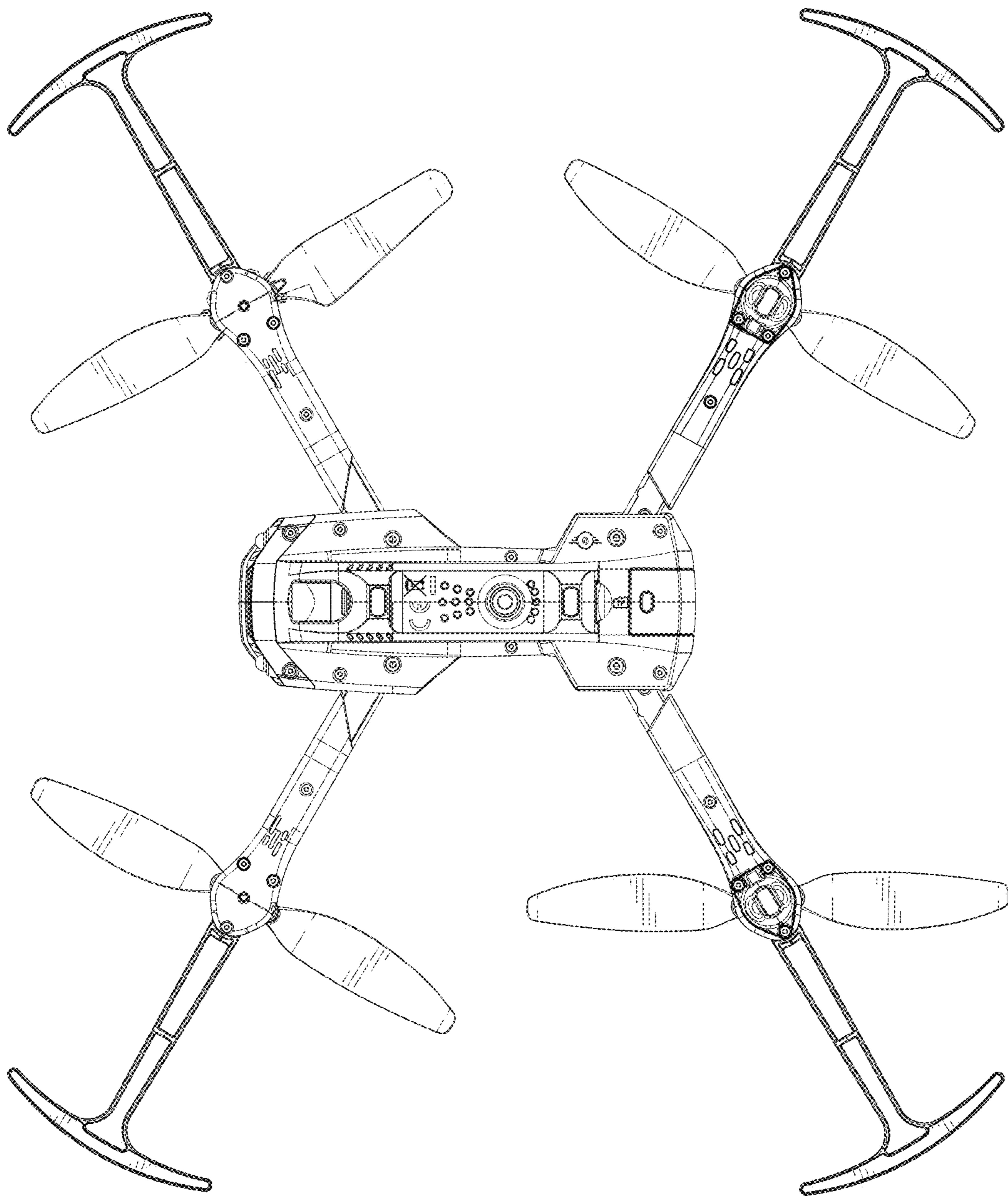


FIG. 5

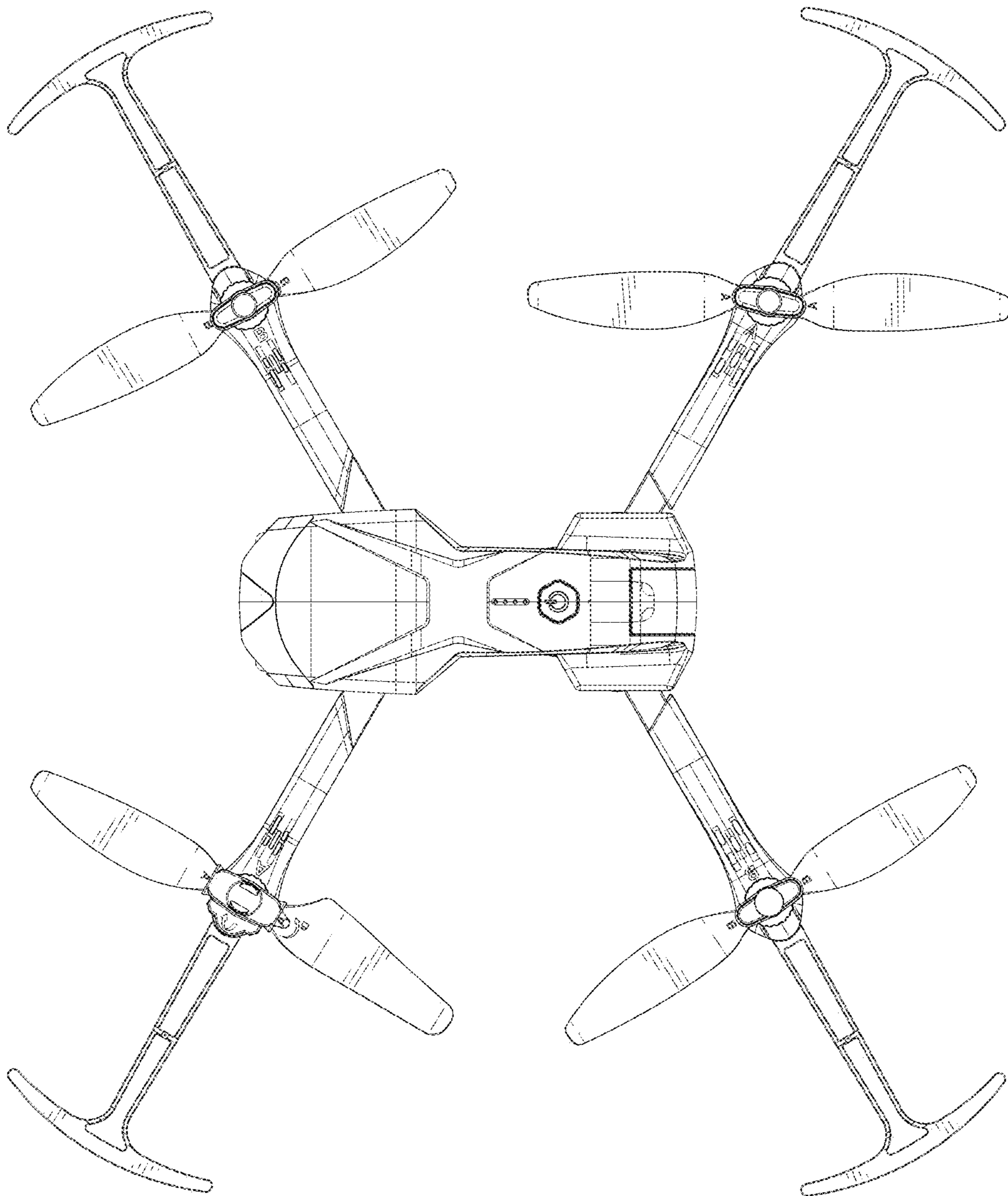


FIG. 6

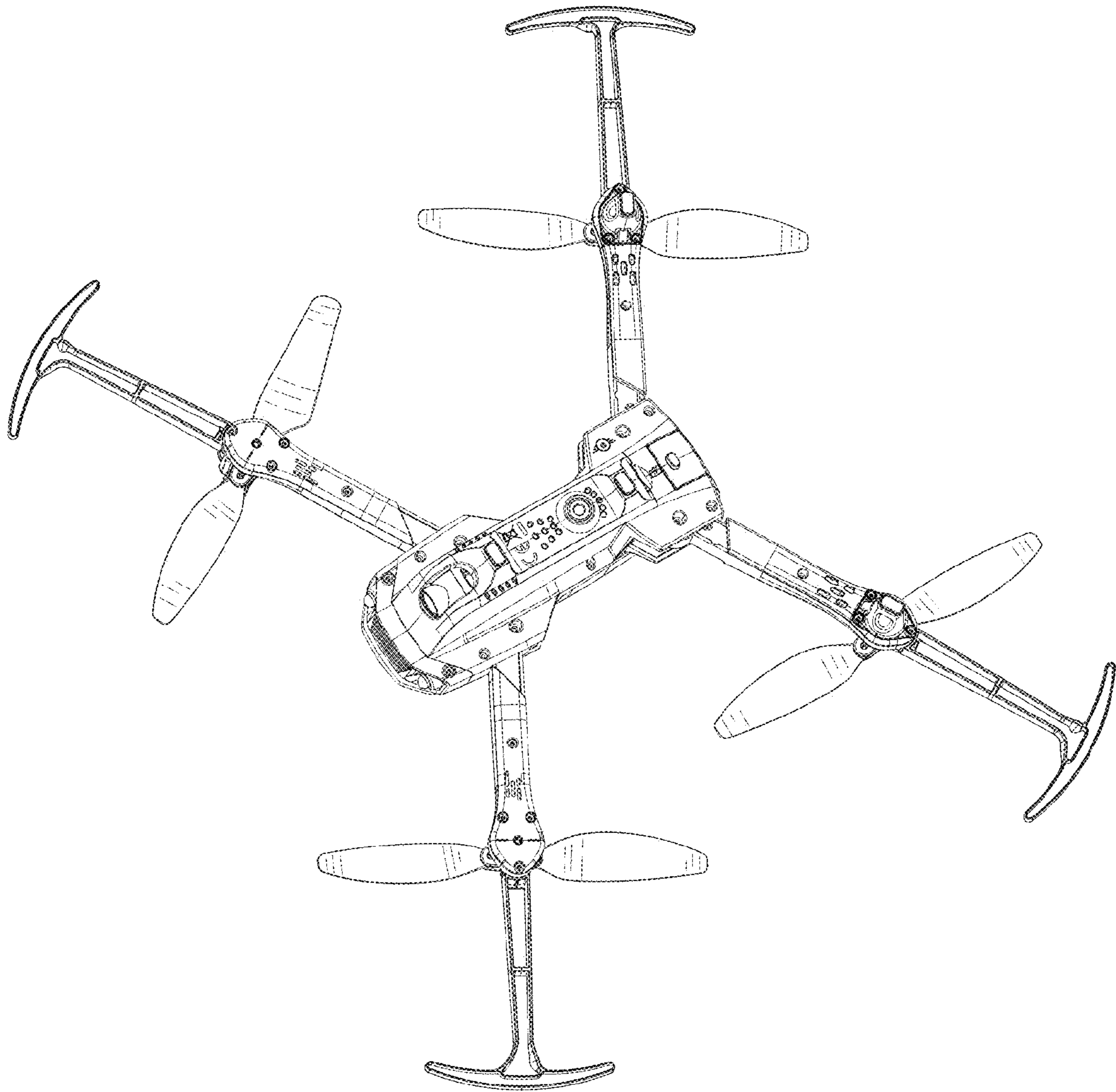


FIG. 7

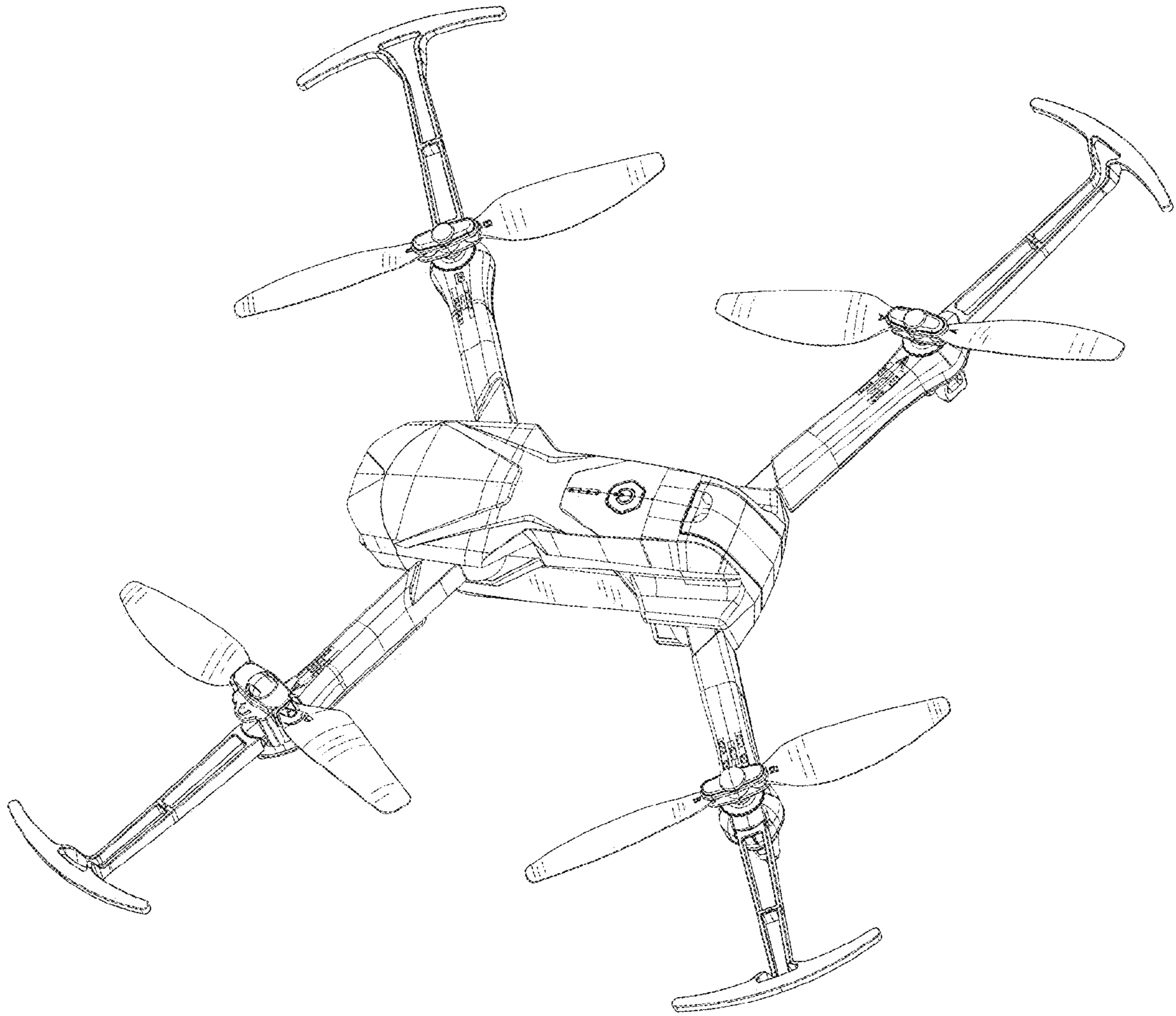


FIG. 8