



US00D973781S

(12) **United States Design Patent** (10) **Patent No.:** **US D973,781 S**
Guo (45) **Date of Patent:** **** Dec. 27, 2022**

(54) **WHAC-A-MOLE BATTLE GAME**

(71) Applicant: **Shuzhong Guo**, Shantou (CN)

(72) Inventor: **Shuzhong Guo**, Shantou (CN)

(**) Term: **15 Years**

(21) Appl. No.: **29/758,373**

(22) Filed: **Nov. 13, 2020**

(51) **LOC (13) Cl.** **21-01**

(52) **U.S. Cl.**
 USPC **D21/388**; D21/341

(58) **Field of Classification Search**
 USPC D21/300, 324, 333–346, 365, 369, 385,
 D21/392–397, 148 R, 309, 459, 460, 360,
 D21/350, 468, 470; 273/342–346, 335,
 273/236, 237, 238, 242, 244.2, 248–263,
 273/274, 275, 277–291, 292, 441, 445,
 273/440, 348, 398, 446; D10/46.1, 46;
 235/90, 1 B–1 D; 463/13, 1, 46, 47;
 16/225; 116/222–225, 325, 326

CPC A63F 1/00; A63F 1/06; A63F 1/062; A63F
 1/067; A63F 1/18; A63F 3/0023; A63F
 3/00574; A63F 3/00006; A63F 3/00643;
 A63F 3/00082; A63F 3/00097; A63F
 3/00173; A63F 3/00157; A63F 3/00261;
 A63F 2003/00233; A63F 2003/00946;
 A63F 2003/00943; A63F 2003/0034;
 A63F 2003/00583; A63F 2003/00182;
 A63F 2003/0022; A63F 2003/00255;
 A63F 2003/00457; A63F 2250/20; A63F
 9/0096; A63F 9/0093; A63F 9/24; A63F
 9/305; A63F 9/0243; A63F 11/0051;
 A63F 2011/0032; A63F 2011/0055; A63F
 2009/245134; A63H 13/02

See application file for complete search history.

(56) **References Cited**

U.S. PATENT DOCUMENTS

1,863,358 A *	6/1932	Terasaka	A63F 9/305 273/447
2,530,898 A *	11/1950	Morrison	A63H 33/00 446/168
2,646,646 A *	7/1953	Glass	A63H 33/00 124/37
D197,656 S *	3/1964	Markham	D21/470
3,545,750 A *	12/1970	Stachnik, Sr.	A63F 9/305 273/447
3,743,293 A *	7/1973	Chodorov	A63F 3/00261 273/281
D233,850 S *	12/1974	Nielsen	D21/479
D245,276 S *	8/1977	Jenkins	273/156
D245,277 S *	8/1977	Jenkins	D21/470
4,118,026 A *	10/1978	Todokoro	A63B 65/12 273/447
4,224,761 A *	9/1980	Wakimura	A63H 13/02 273/330
4,310,156 A *	1/1982	Kulesza	A63F 9/06 273/447
D271,898 S *	12/1983	Hees	D21/470
D272,317 S *	1/1984	Parmentier	D15/90
D277,685 S *	2/1985	Olsen	D21/475
D279,117 S *	6/1985	Adams	D21/470

(Continued)

Primary Examiner — Susan Moon Lee

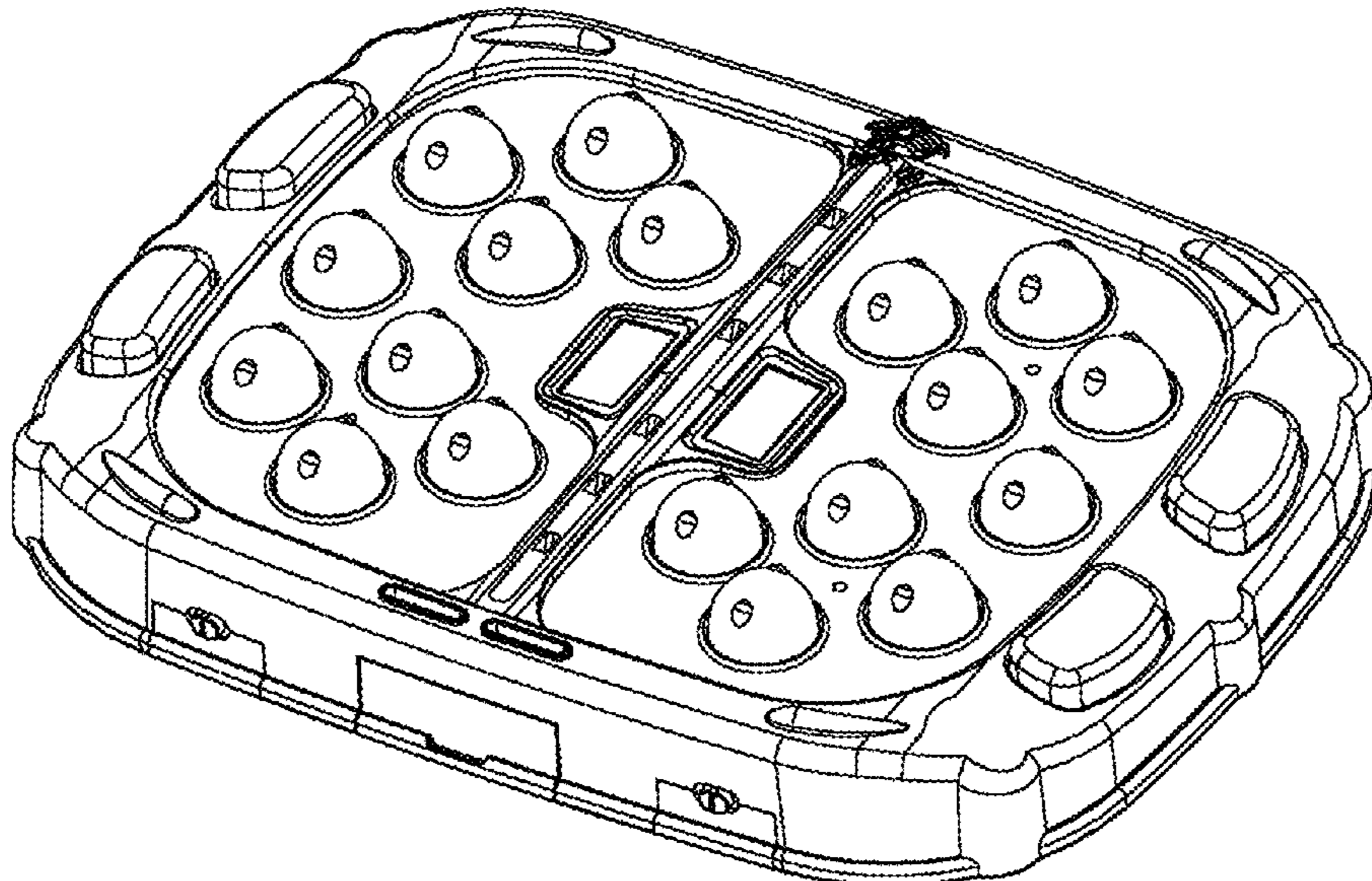
(57) **CLAIM**

The ornamental design for a whac-a-mole battle game, as shown and described.

DESCRIPTION

FIG. 1 is a perspective view of a whac-a-mole battle game showing my new design;
 FIG. 2 is a front view thereof;
 FIG. 3 is a rear view thereof;
 FIG. 4 is a left side view thereof;
 FIG. 5 is a right side view thereof;
 FIG. 6 is a top plan view thereof; and,
 FIG. 7 is a bottom plan view thereof.

1 Claim, 7 Drawing Sheets



(56)

References Cited

U.S. PATENT DOCUMENTS

4,603,860 A * 8/1986 Wey A63F 9/34
273/448
4,790,532 A * 12/1988 Chen A63F 9/0819
273/447
4,890,845 A * 1/1990 Gatewood A63F 3/00261
273/DIG. 26
5,102,148 A * 4/1992 Mizunuma A63F 9/30
273/447
5,163,863 A * 11/1992 Goldfarb A63H 13/02
446/236
D343,656 S * 1/1994 Shiraishi D21/470
D349,135 S * 7/1994 Strayer D21/470
5,571,267 A * 11/1996 Yokoi A63F 9/0096
273/446
5,752,704 A * 5/1998 Todokoro A63F 9/30
273/447
D419,615 S * 1/2000 Thomas D21/470
D428,073 S * 7/2000 Mori D21/468

6,164,653 A * 12/2000 Chuang A63H 13/02
446/72
D491,234 S * 6/2004 Rom D21/478
D501,231 S * 1/2005 Rom D21/478
6,938,768 B2 * 9/2005 Ferretti B65D 43/0212
215/230
D777,688 S * 1/2017 Seidl D13/174
9,730,428 B1 * 8/2017 Kreischer A01K 15/025
D857,110 S * 8/2019 McCloskey D21/470
D903,777 S * 12/2020 Carson D21/468
D908,810 S * 1/2021 Carson D21/468
D908,811 S * 1/2021 Carson D21/468
D910,760 S * 2/2021 Cai D21/360
D915,520 S * 4/2021 Peeters D21/360
D915,521 S * 4/2021 Peeters D21/360
D918,302 S * 5/2021 Michelsson D21/342
D921,125 S * 6/2021 Carson D21/468
D923,108 S * 6/2021 Carson D21/468
D944,332 S * 2/2022 Yu D21/468
D947,953 S * 4/2022 Cui D21/468
2011/0076909 A1 * 3/2011 Hageman A63H 33/042
446/124

* cited by examiner

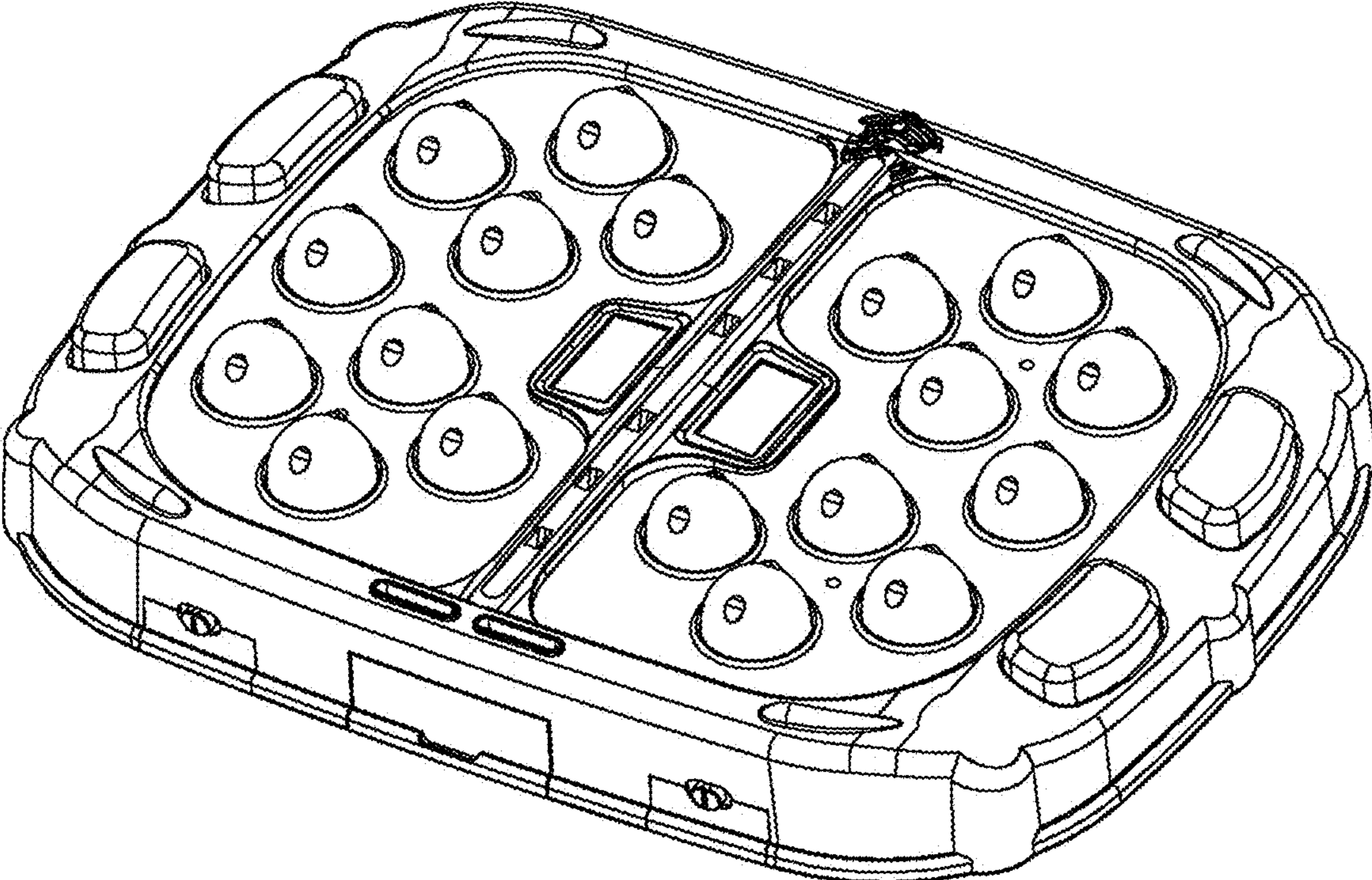


FIG. 1

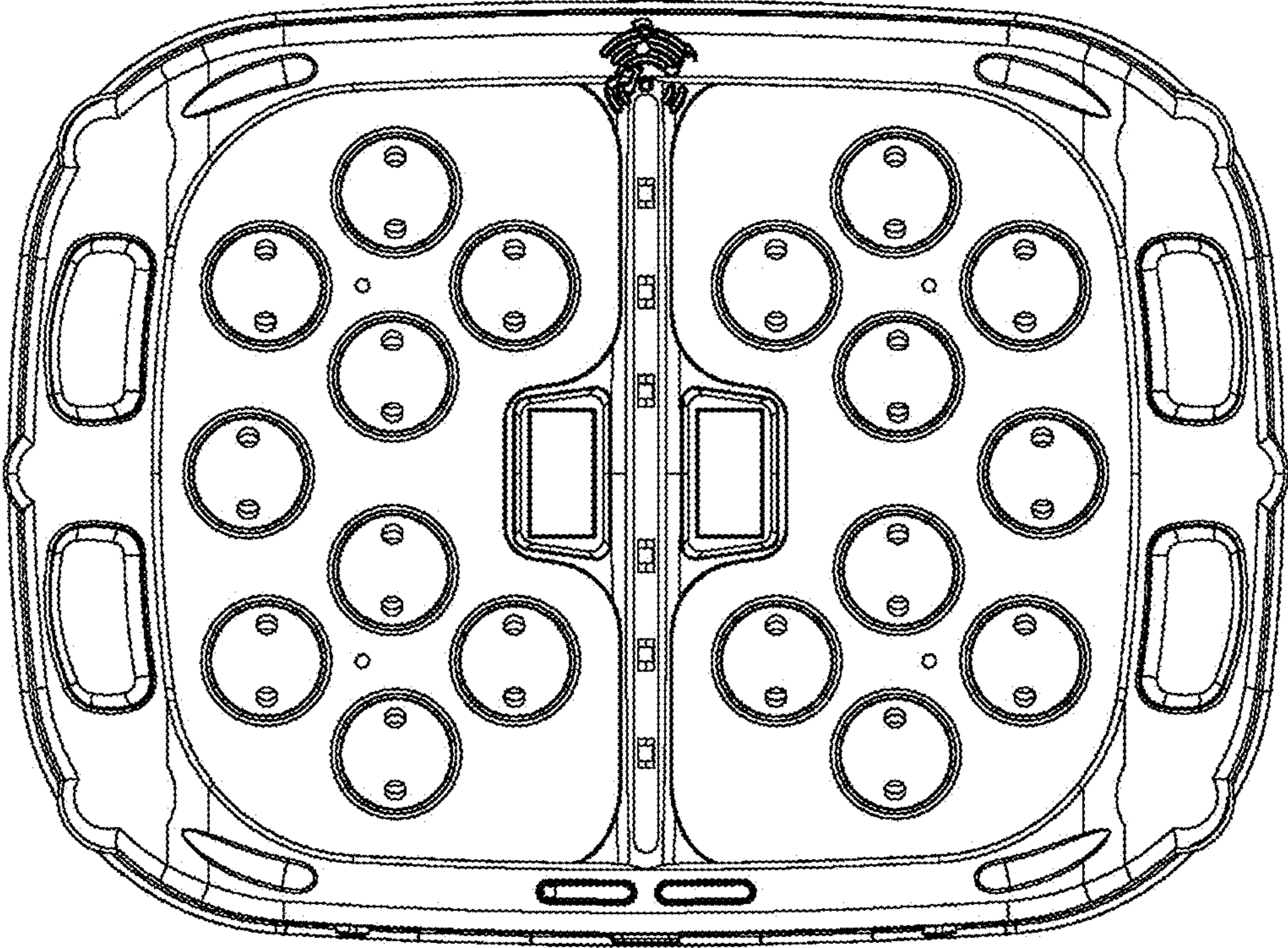


FIG.2

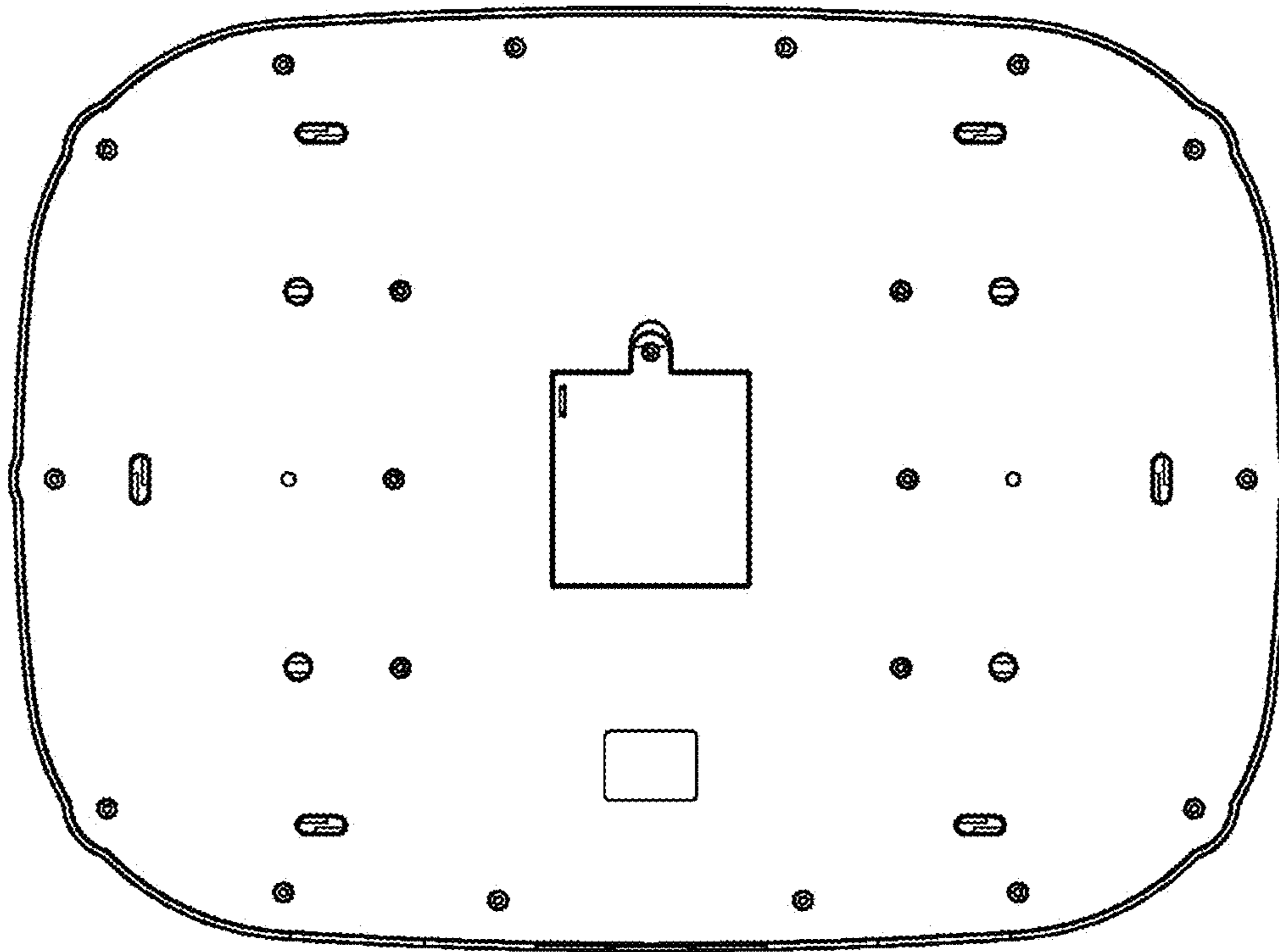


FIG.3

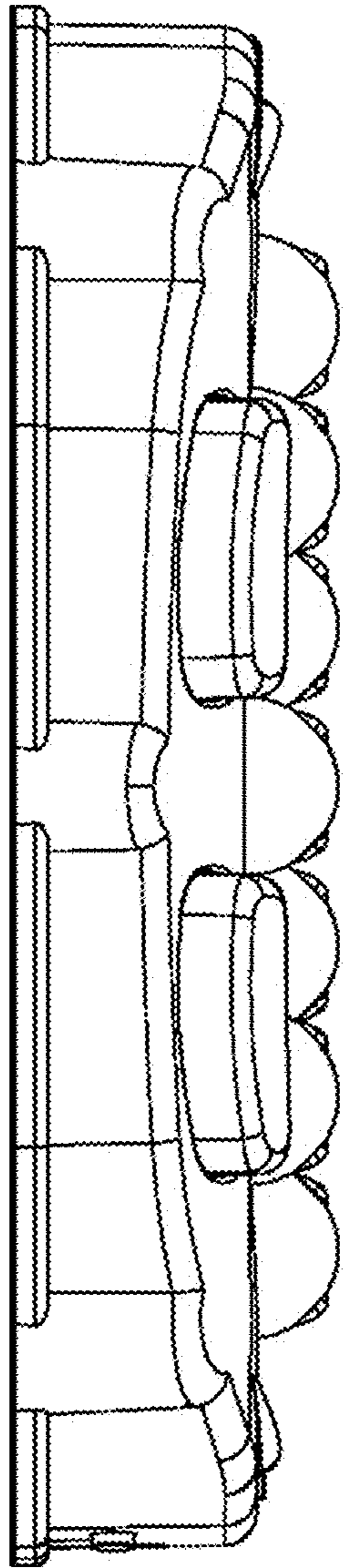


FIG.4

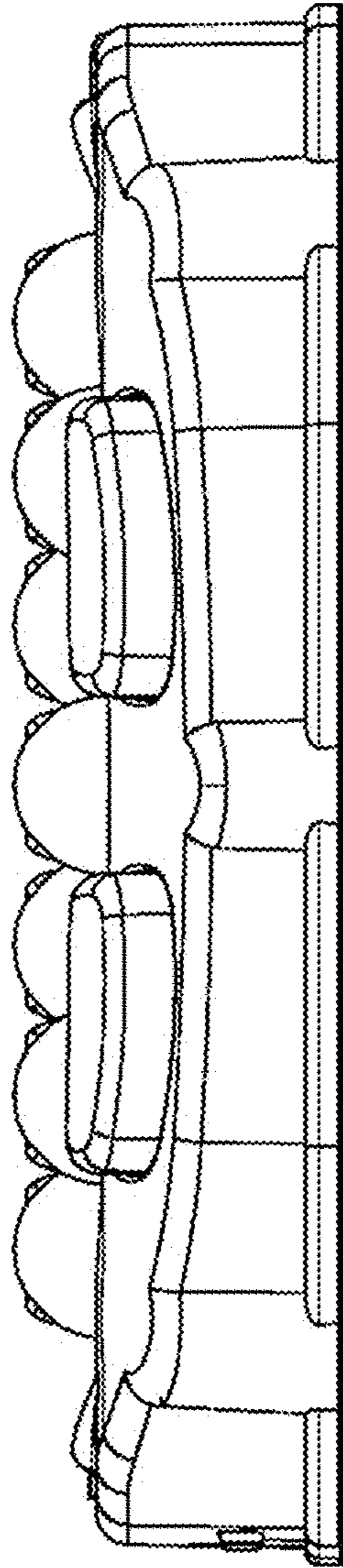


FIG.5

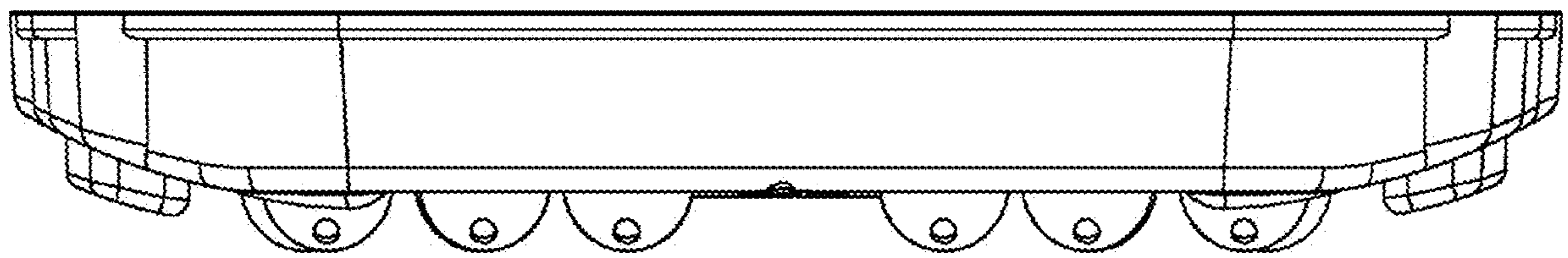


FIG.6

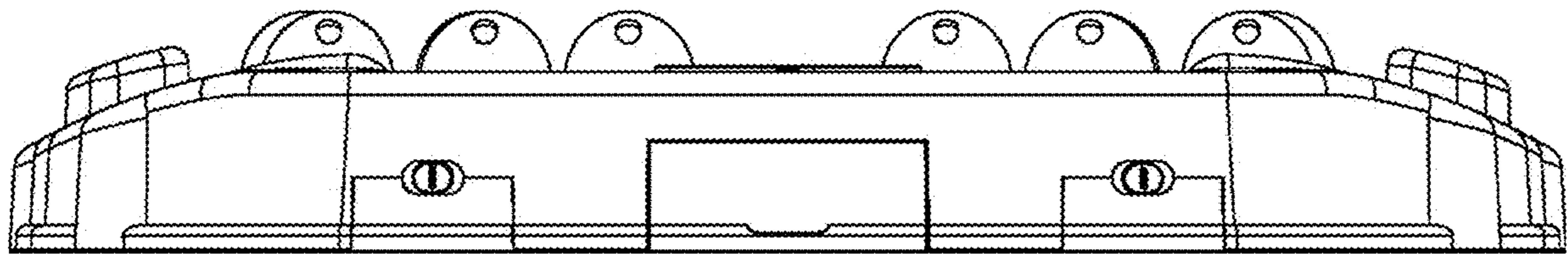


FIG.7