

US00D973776S

(12) **United States Design Patent** (10) **Patent No.:** **US D973,776 S**
Lv (45) **Date of Patent:** **** Dec. 27, 2022**

(54) **GAMEPAD**

(71) Applicant: **Shenzhen Yiqianmi Technology Co., Ltd.**, Guangdong (CN)

(72) Inventor: **Kunjiang Lv**, Guangdong (CN)

(**) Term: **15 Years**

(21) Appl. No.: **29/820,344**

(22) Filed: **Dec. 21, 2021**

(51) **LOC (13) Cl.** **21-01**

(52) **U.S. Cl.**
USPC **D21/333**

(58) **Field of Classification Search**
USPC D21/324, 332-337, 566, 572-574, 328;
D14/217, 218, 356, 387, 388, 389, 400,
D14/401, 415, 418, 426-431, 443, 447,
D14/449, 450, 454, 455, 471, 474, 483,
D14/496, 511; D13/164, 168
CPC .. A63F 9/02; A63F 9/24; A63F 9/0291; A63F
9/0252; A63F 13/00; A63F 13/23; A63F
13/24; A63F 13/26; A63F 13/98; A63F
13/02; A63F 13/12; A63F 9/00; A63F
2300/00; A63F 2300/1031
See application file for complete search history.

(56) **References Cited**

U.S. PATENT DOCUMENTS

D736,859 S *	8/2015	Joynes	D14/401
D810,202 S *	2/2018	Foster	D14/401
D815,211 S *	4/2018	Buller	D21/333
D819,696 S *	6/2018	Ehara	D14/203.7
D870,207 S *	12/2019	Ali	D21/333
D875,836 S *	2/2020	Ehara	D21/333
D882,693 S *	4/2020	Ehara	D21/333
D884,796 S *	5/2020	Zhou	D14/401
D893,629 S	8/2020	Wu		
D912,153 S *	3/2021	Ehara	D14/401
D928,883 S	8/2021	Zhou		

D928,884 S *	8/2021	Zhou	D21/333
D946,658 S *	3/2022	Feng	D21/332
D953,435 S *	5/2022	Hu	D14/401
D953,436 S *	5/2022	Hu	D21/333
D953,437 S *	5/2022	Hu	D21/333
D953,438 S *	5/2022	Liang	D21/333
D954,151 S *	6/2022	Lv	D21/333
2020/0155928 A1 *	5/2020	Guo	A63F 13/98
2020/0269129 A1 *	8/2020	Kira	A63F 13/24
2021/0275907 A1 *	9/2021	Khaira	A63F 13/24

(Continued)

Primary Examiner — Mehri F Bajoul

(74) *Attorney, Agent, or Firm* — Che-Yang Chen; Law Office of Michael Chen

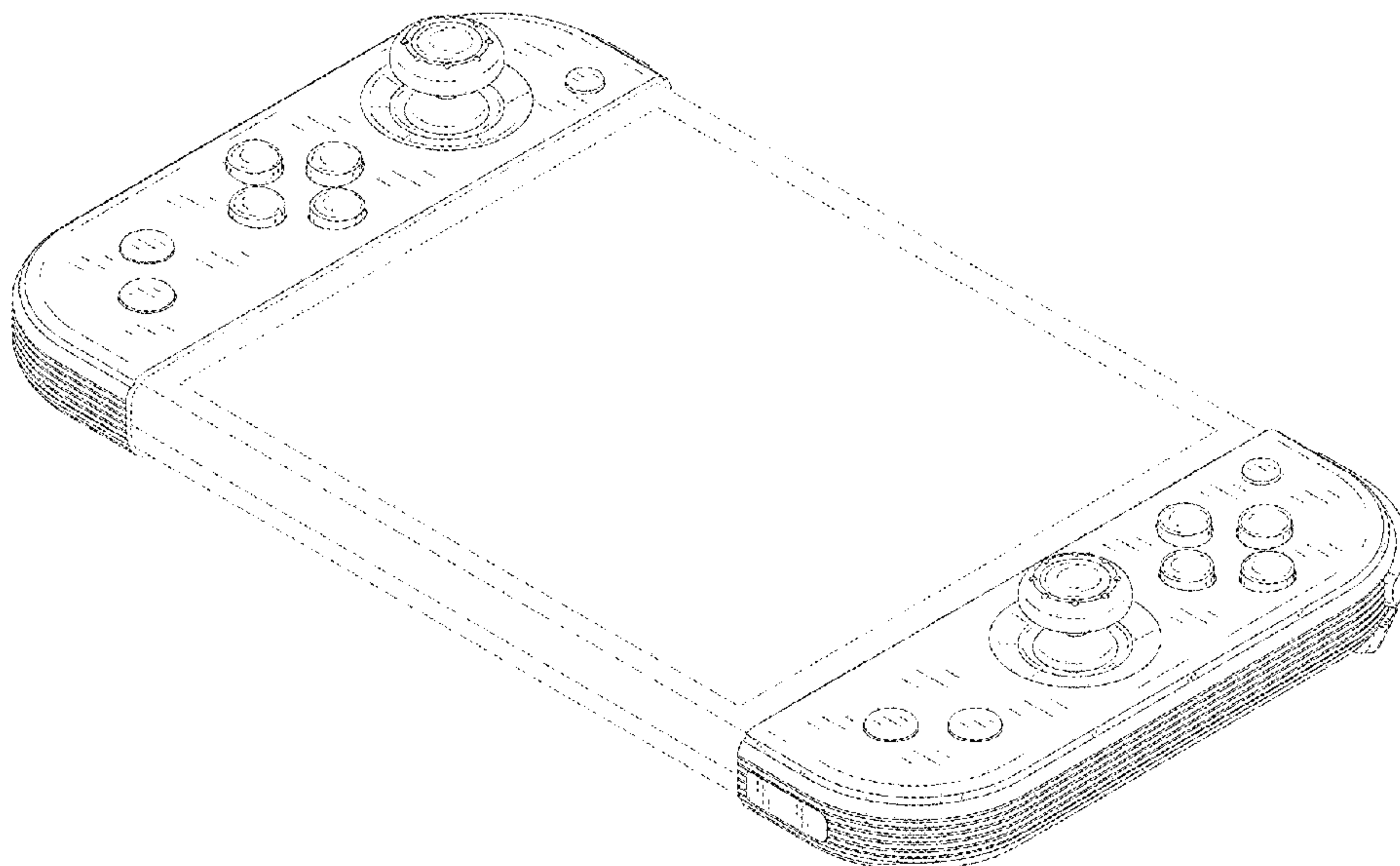
(57) **CLAIM**

The ornamental design for a gamepad, as shown and described.

DESCRIPTION

FIG. 1 is a top right perspective view of a gamepad showing my new design;
 FIG. 2 is a bottom right perspective view thereof;
 FIG. 3 is a front elevational view thereof;
 FIG. 4 is a rear elevational view thereof;
 FIG. 5 is a left side elevational view thereof;
 FIG. 6 is a right side elevational view thereof;
 FIG. 7 is a top plan view thereof;
 FIG. 8 is a bottom plan view thereof;
 FIG. 9 is a top perspective view showing the claimed design in its environment of use; and,
 FIG. 10 is an enlarged view of a portion indicated with numeric 10 in FIG. 1.
 The broken lines showing a pad in, FIG. 9, depict environmental structure that form no part of the claimed design. The long-short broken lines, in FIGS. 1 and 10, depict bounds of the magnified portions and form no part of the claim. The remaining broken lines depict portions of the gamepad that form no part of the claimed design.

1 Claim, 10 Drawing Sheets



(56)

References Cited

U.S. PATENT DOCUMENTS

2022/0032179 A1* 2/2022 Khaira A63F 13/92
2022/0032180 A1* 2/2022 Khaira A63F 13/24

* cited by examiner

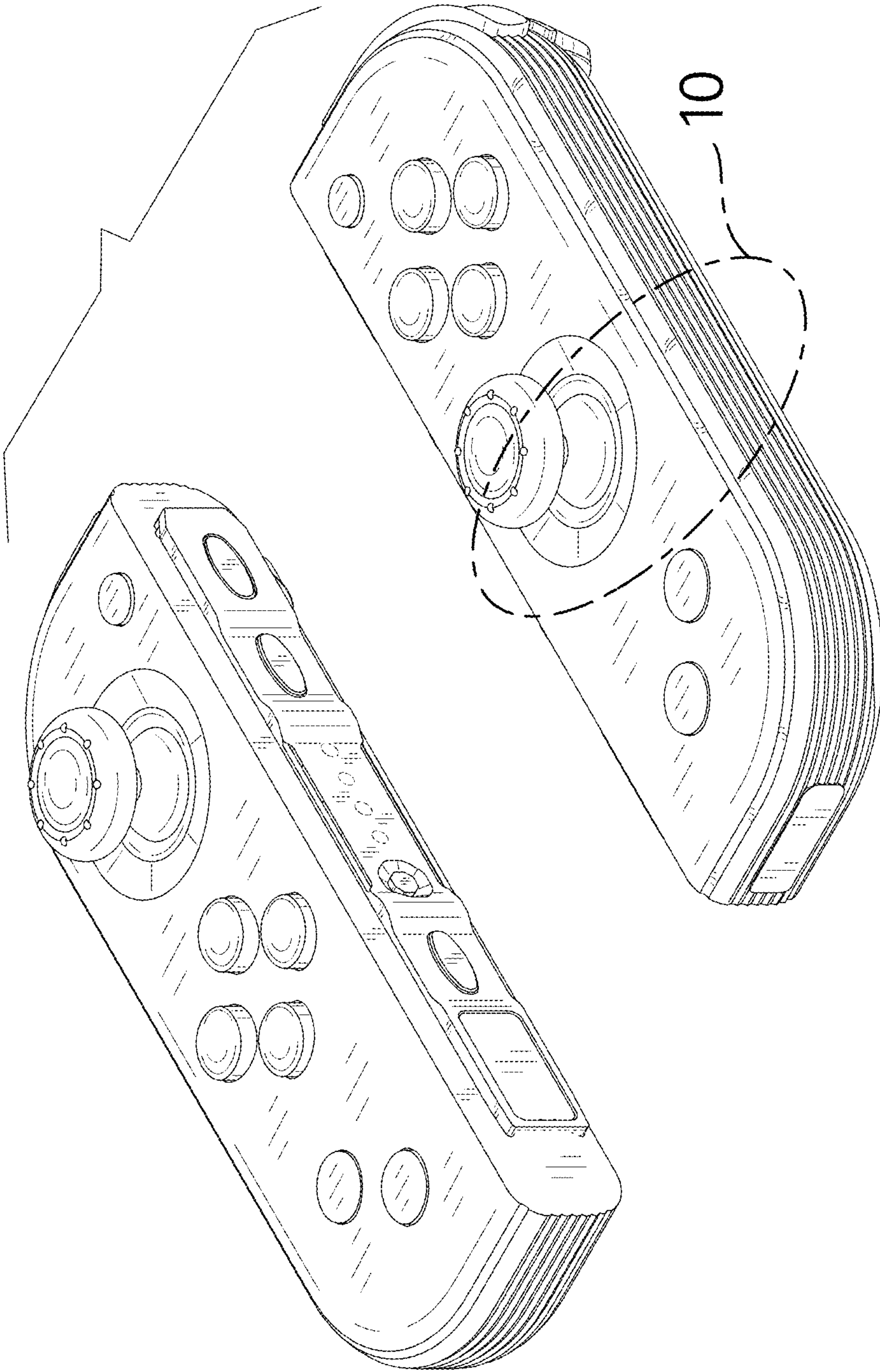


FIG. 1

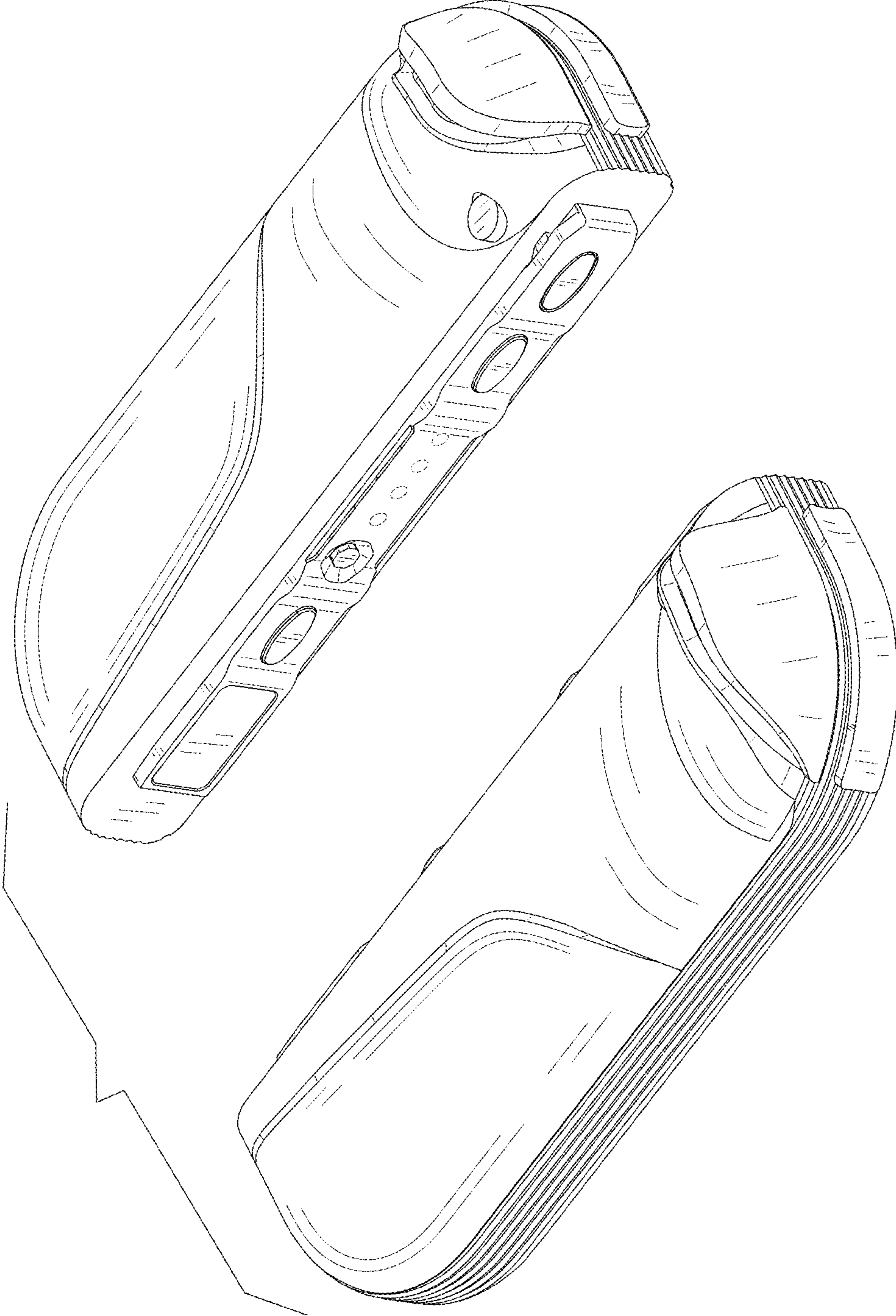


FIG. 2

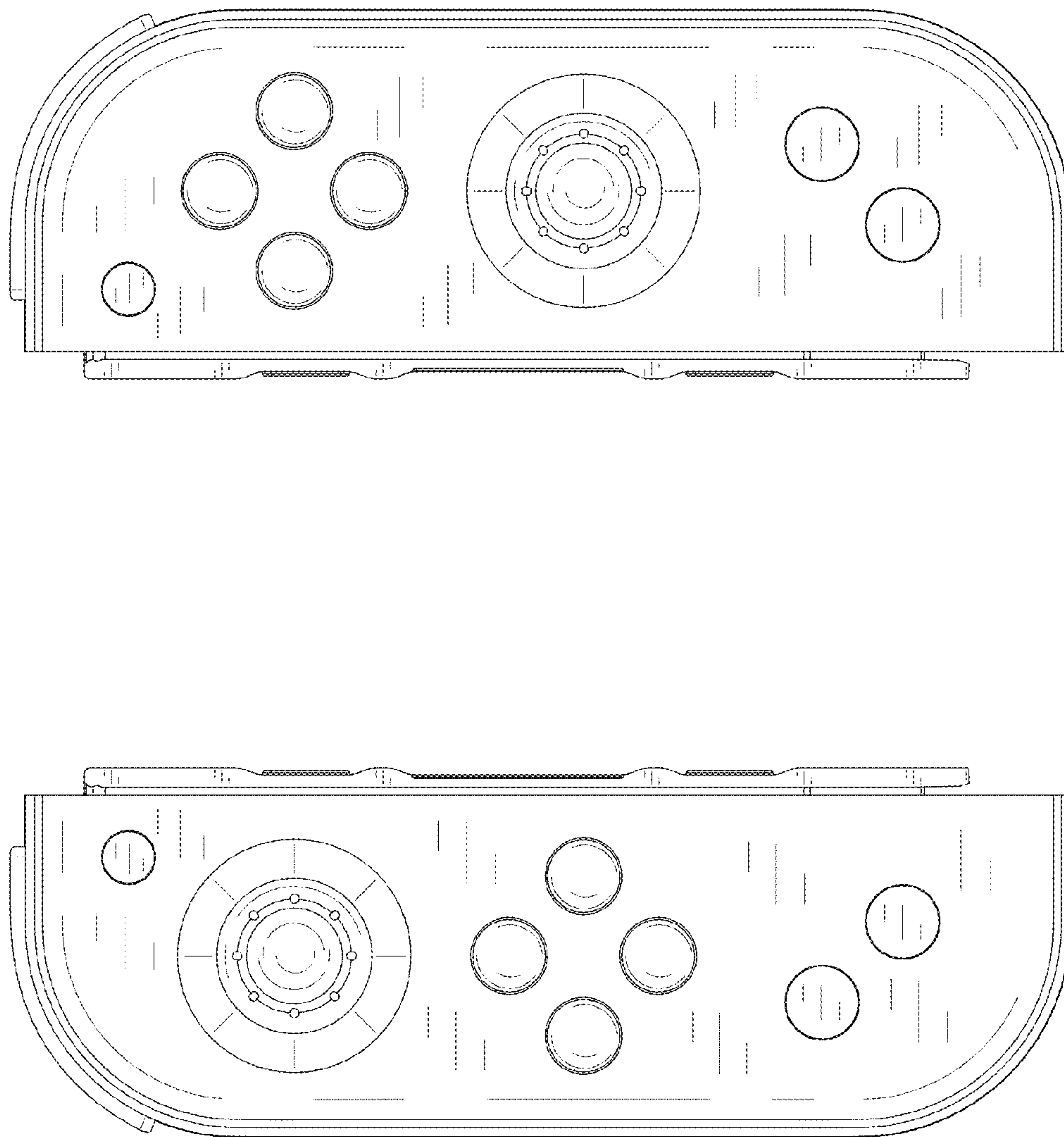


FIG. 3

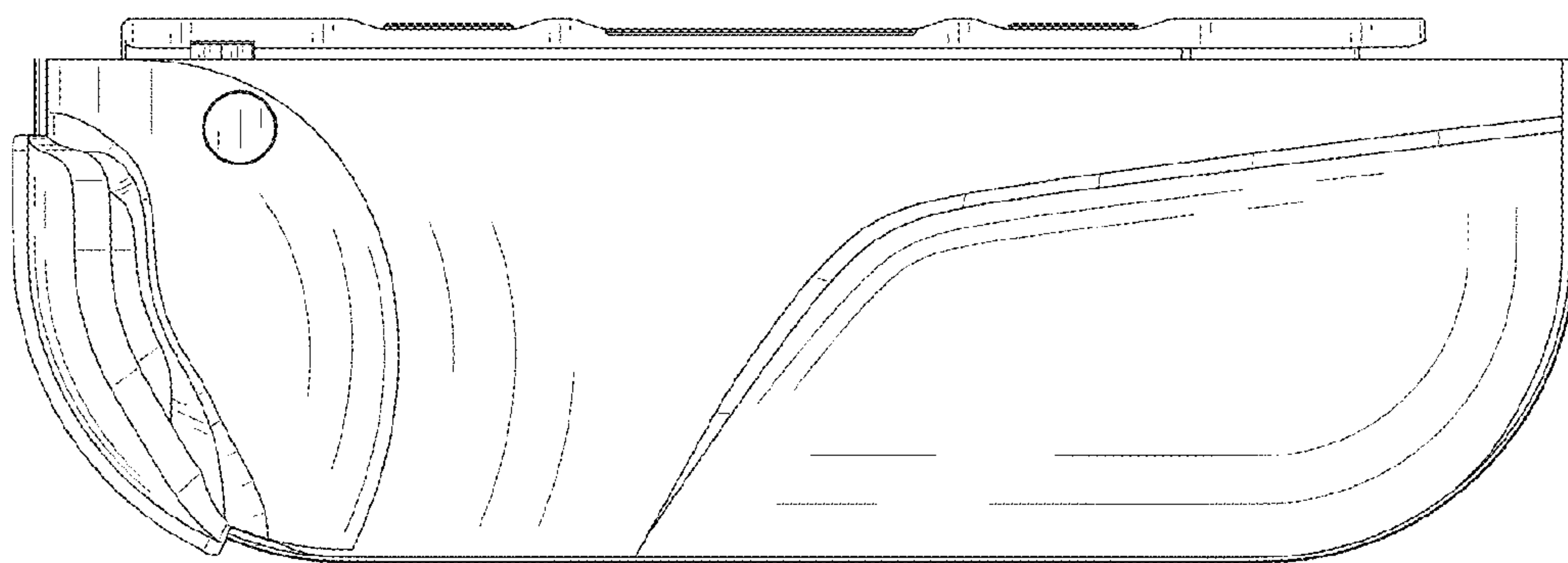
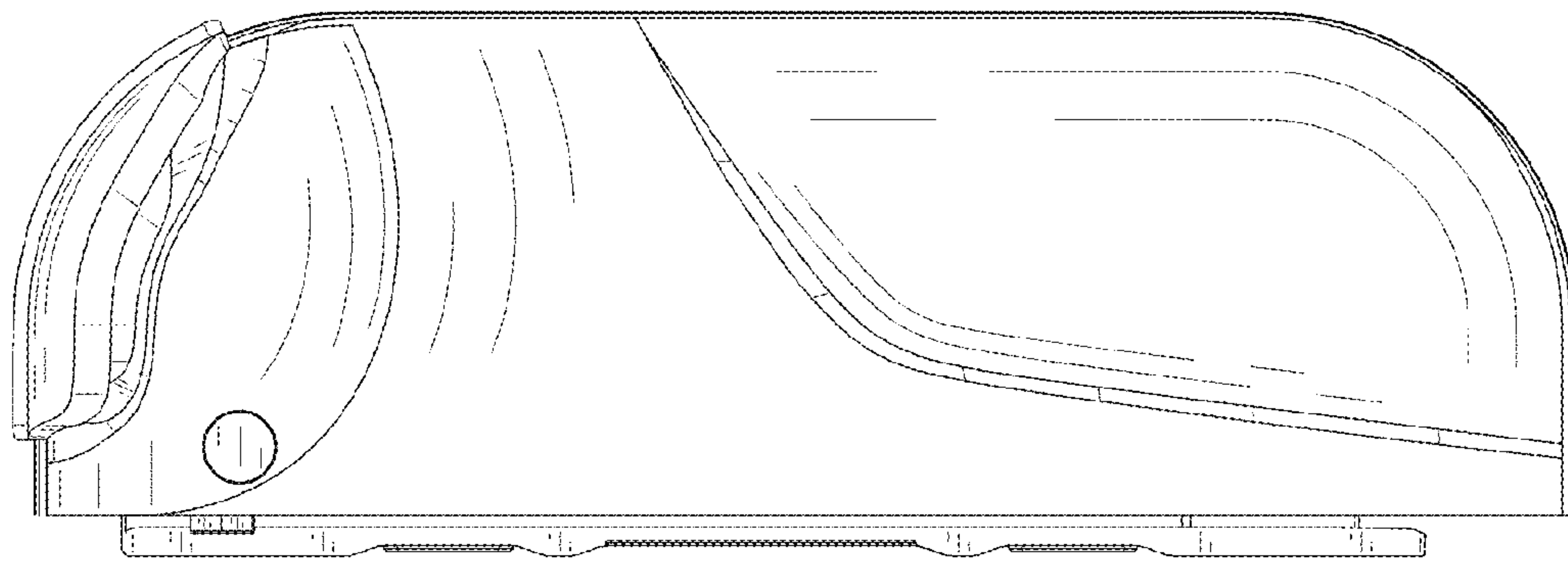


FIG. 4

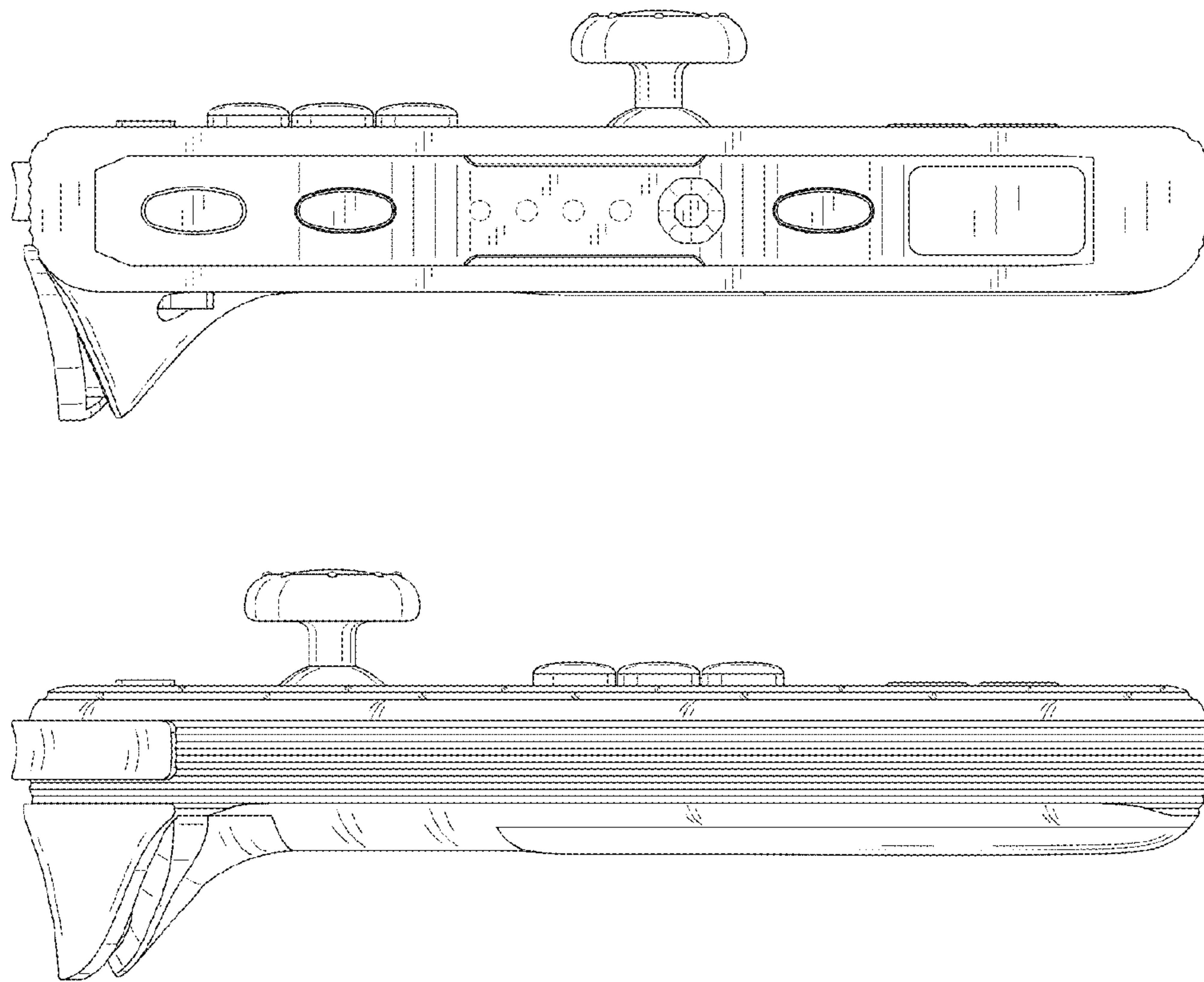


FIG. 5

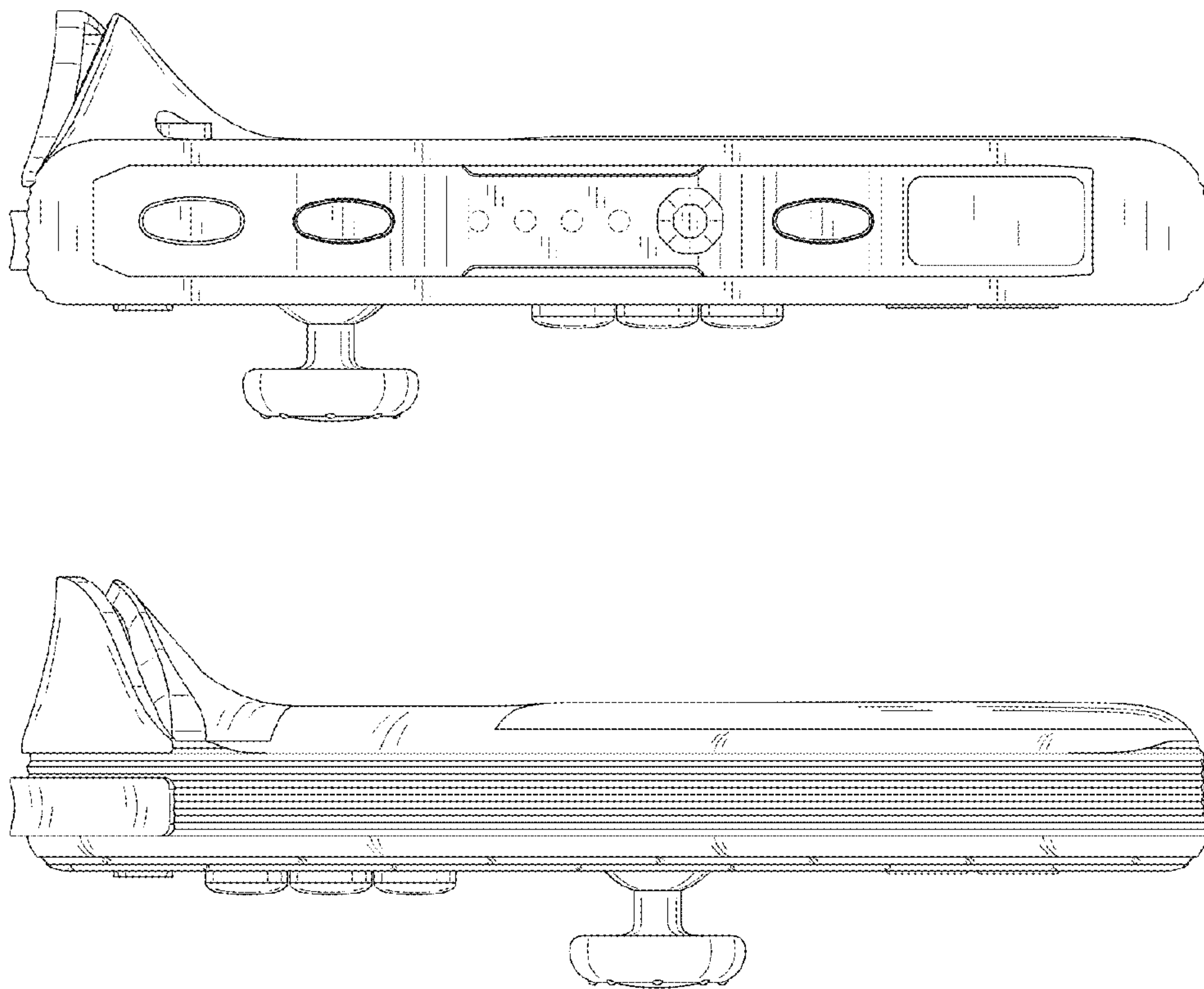


FIG. 6

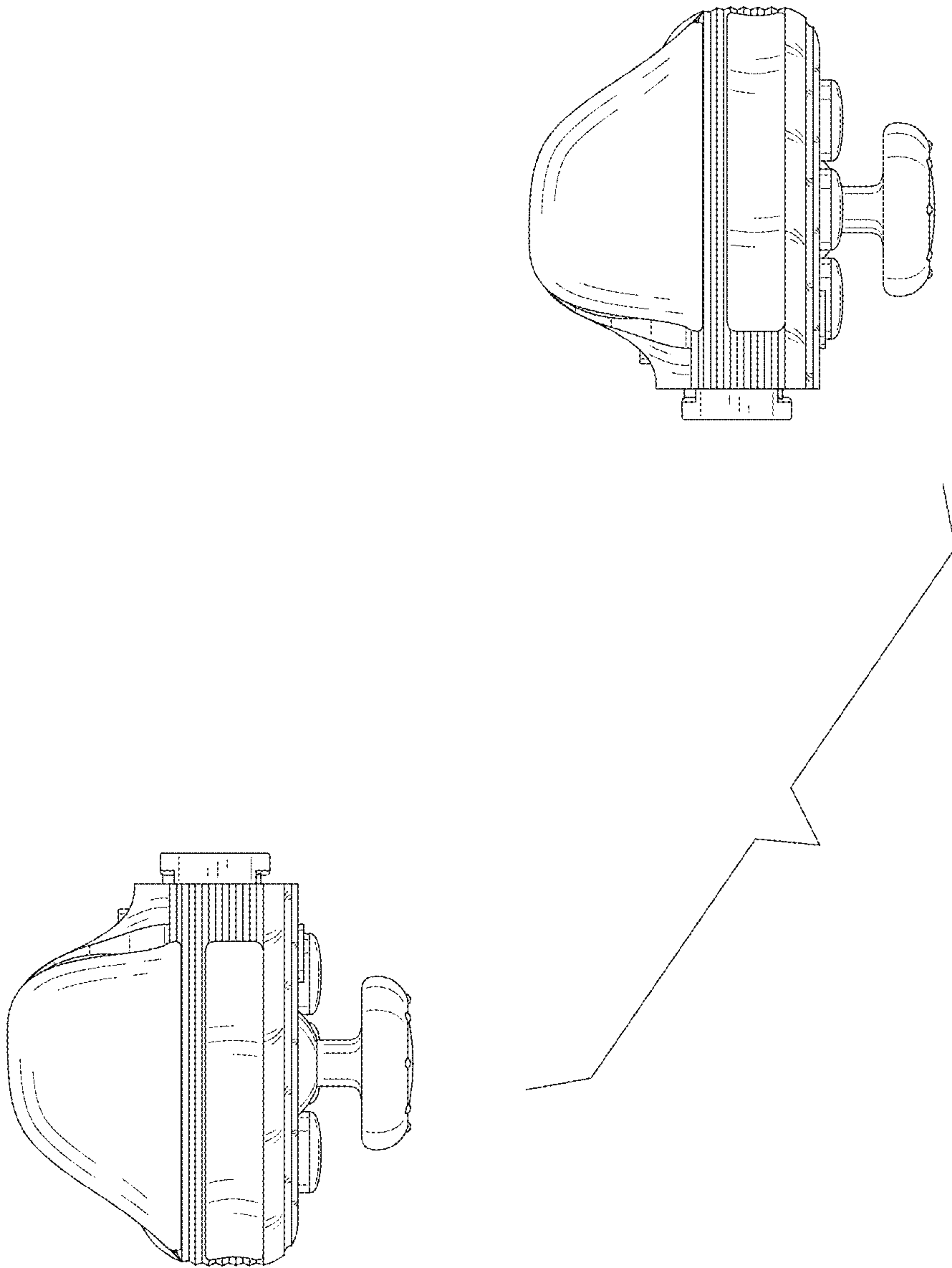


FIG. 7

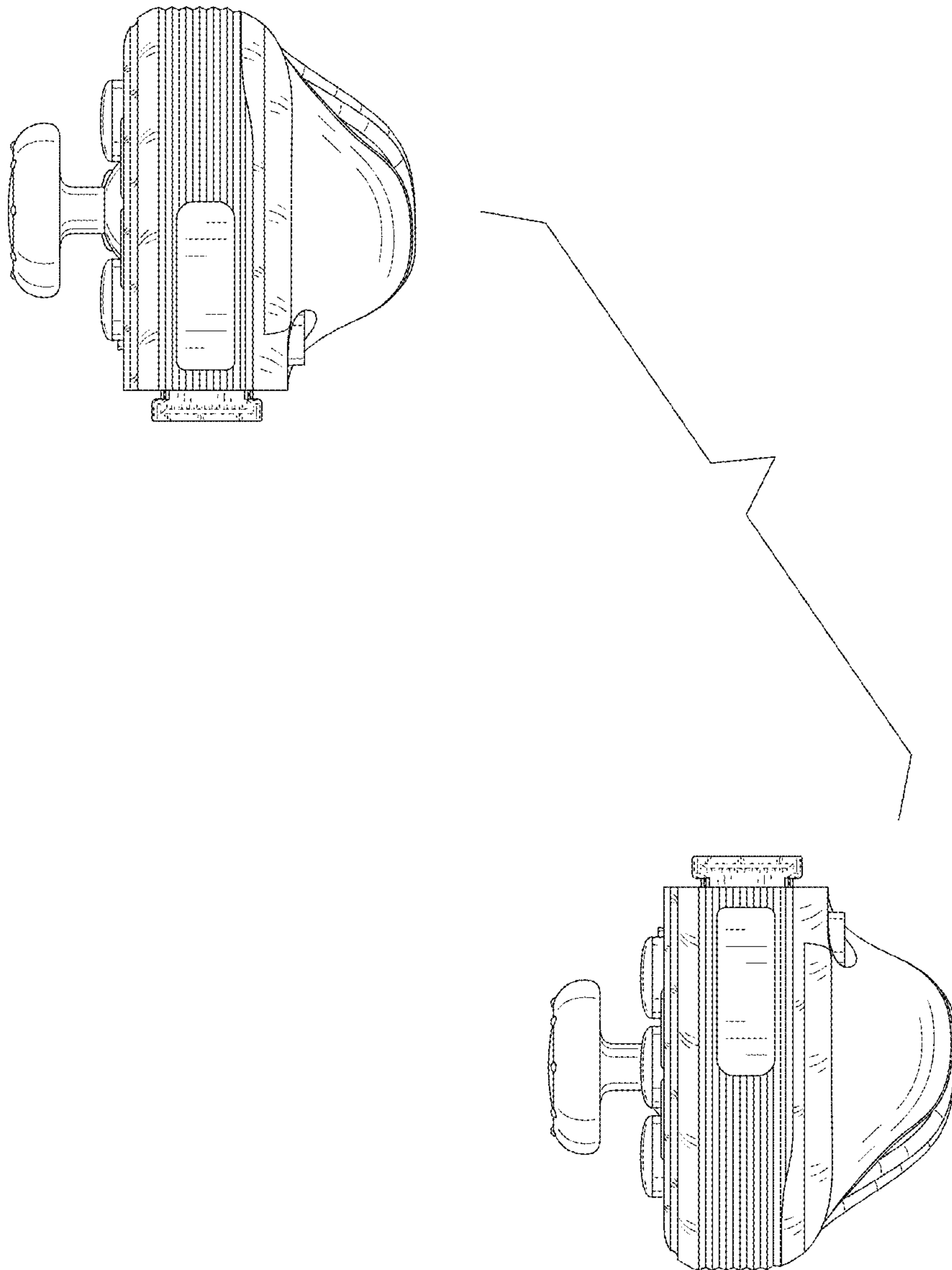


FIG. 8

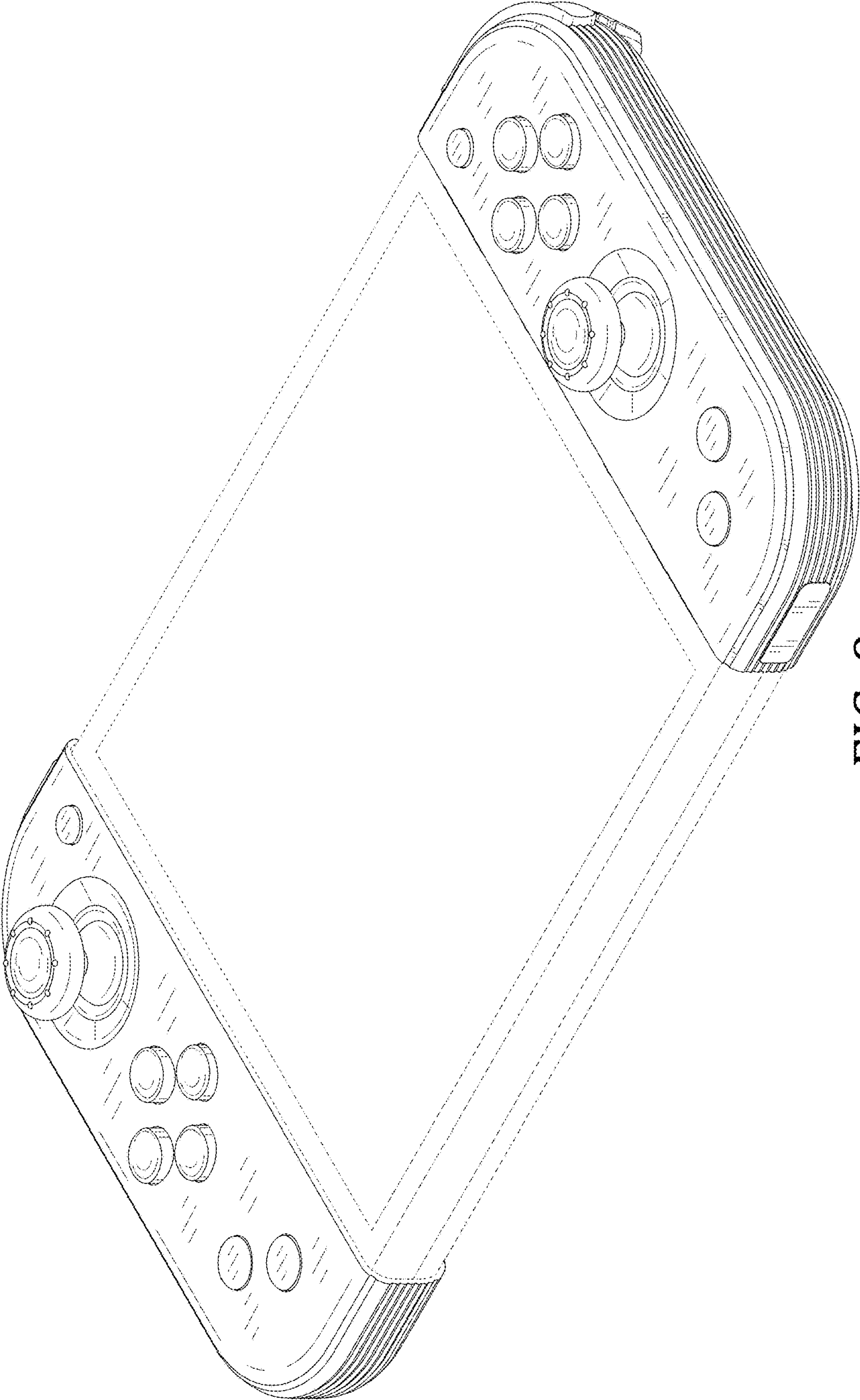


FIG. 9

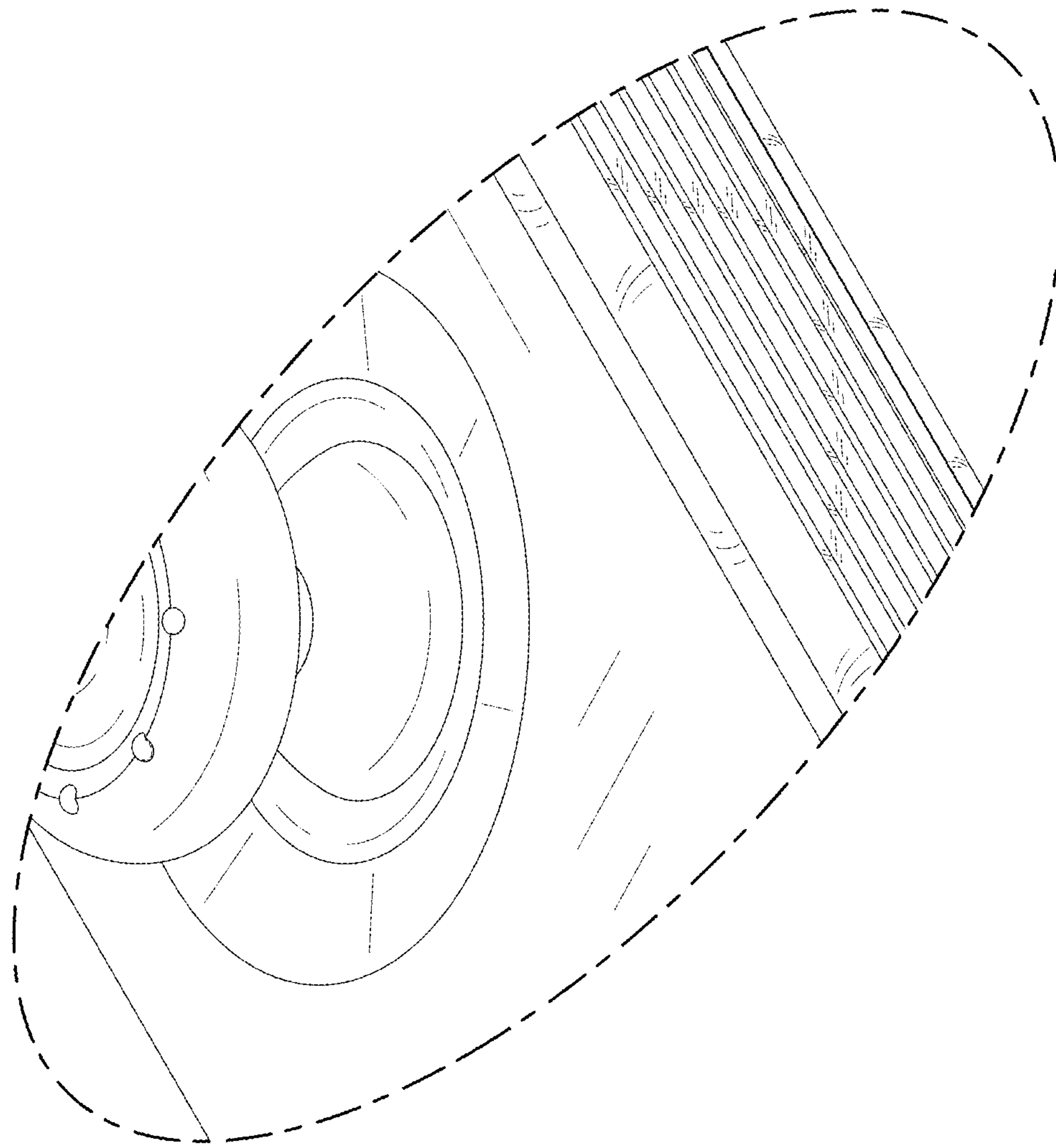


FIG. 10