



US00D973774S

(12) **United States Design Patent** (10) **Patent No.:** **US D973,774 S**
Day et al. (45) **Date of Patent:** **** Dec. 27, 2022**

(54) **GAMING WHEEL**

OTHER PUBLICATIONS

(71) Applicant: **Logitech Europe S.A.**, Lausanne (CH)

Thrustmaster Ferrari 458 Spider Racing Wheel for Xbox One, first available Mar. 7, 2014, amazon.com [online], site visited Dec. 10, 2021], Available from internet URL: https://amzn.to/3oGY8yG (Year: 2014).*

(72) Inventors: **David Day**, Newark, CA (US);
Ping-Hung Lo, Hsinchu (TW); **Davin O'Mahony**, Cork (IE)

(Continued)

(73) Assignee: **Logitech Europe S.A.**, Lausanne (CH)

Primary Examiner — Jack Reickel

(**) Term: **15 Years**

Assistant Examiner — Salamah Jordan

(21) Appl. No.: **29/740,222**

(74) *Attorney, Agent, or Firm* — Kilpatrick Townsend & Stockton LLP

(22) Filed: **Jul. 1, 2020**

(57) **CLAIM**

(51) **LOC (13) Cl.** **21-01**

The ornamental design for a gaming wheel, as shown and described.

(52) **U.S. Cl.**

USPC **D21/333**

(58) **Field of Classification Search**

DESCRIPTION

USPC D12/126, 175, 176, 177; D14/399, 400,
D14/401, 402, 414, 413, 416, 412, 419,
D14/563, 566; D21/320, 324–333
CPC A63F 13/02; A63F 13/06; A63F 13/24;
A63F 13/98; A63F 13/235; A63F 13/245;
A63F 13/803; B60R 21/05; B60R 21/203;
B62D 1/04

See application file for complete search history.

FIG. 1 is a front, left side perspective view of a gaming wheel, shown with environmental base in use, showing our new design;
FIG. 2 is a rear, right side perspective view thereof, shown with environmental base in use;
FIG. 3 is a rear, right side perspective view thereof;
FIG. 4 is a front elevation view thereof;
FIG. 5 is a rear elevation view thereof;
FIG. 6 is a top elevation view thereof;
FIG. 7 is a bottom elevation view thereof;
FIG. 8 is a left side elevation view thereof; and,
FIG. 9 is a right side elevation view thereof.

(56) **References Cited**

U.S. PATENT DOCUMENTS

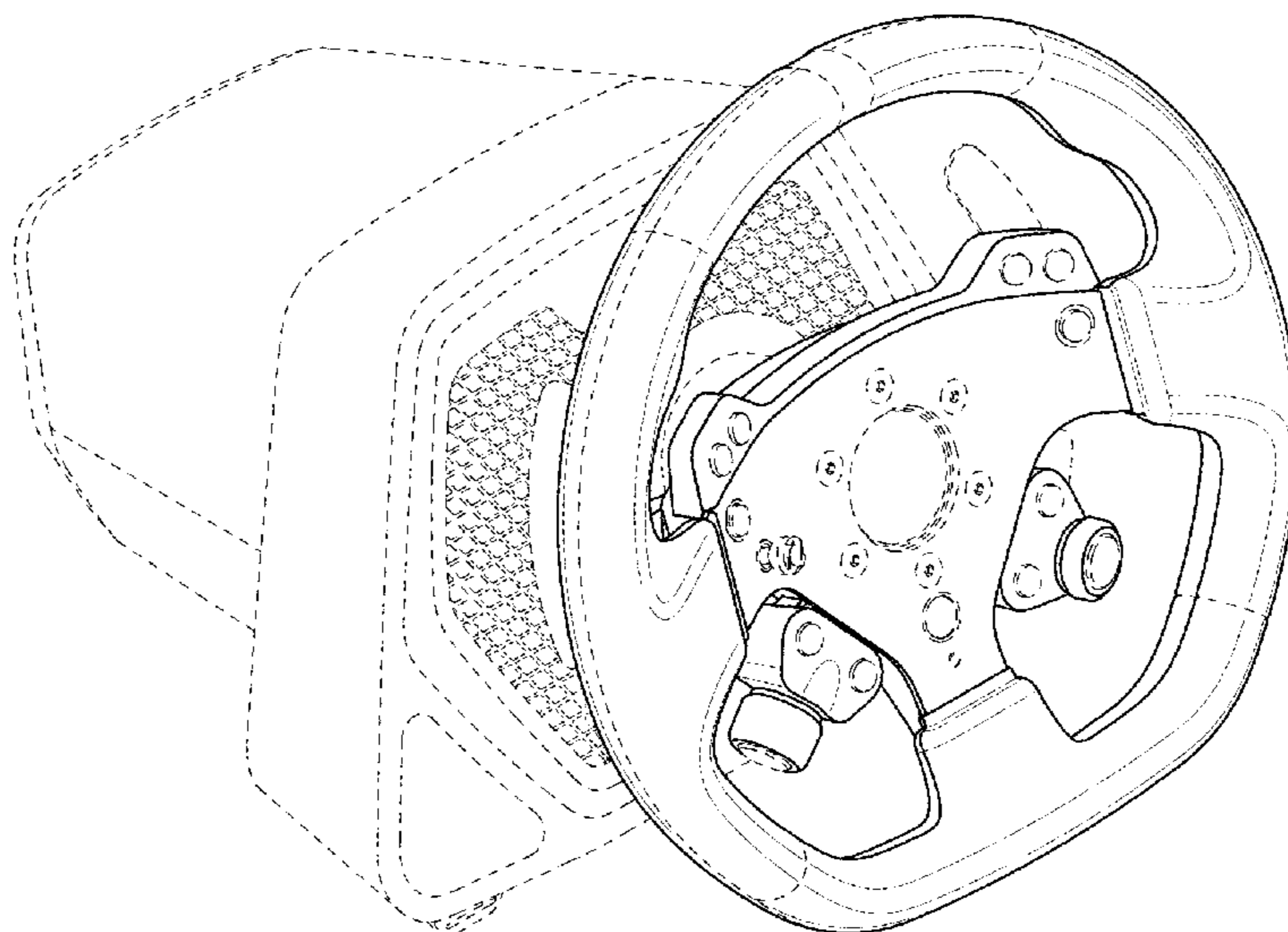
D410,970 S *	6/1999	Larian	D21/329
D420,708 S *	2/2000	Holmes	D21/329
D434,086 S *	11/2000	Ford	D21/328
D451,557 S *	12/2001	Yu	D21/333
D522,516 S *	6/2006	Hussaini	D14/414
D553,622 S *	10/2007	Petrotta	D21/324
D568,409 S *	5/2008	Ikeda	D14/416
D573,198 S *	7/2008	Bramfitt	D21/324

(Continued)

FOREIGN PATENT DOCUMENTS

CN 306963717 * 11/2021

1 Claim, 7 Drawing Sheets



(56)

References Cited

U.S. PATENT DOCUMENTS

D602,096 S * 10/2009 Ashida D21/333
D615,131 S * 5/2010 Biheller D21/333
D695,839 S * 12/2013 Lin D14/401
D696,992 S * 1/2014 Pohanka D12/176
D756,865 S * 5/2016 Salomé D12/175
D766,147 S * 9/2016 Ritchie D12/176
D795,963 S * 8/2017 Sakai D21/333
D814,999 S * 4/2018 Lokers D12/176
D827,522 S * 9/2018 Villamizar D12/176
D899,328 S * 10/2020 Roo-Clefas D12/176
10,868,436 B1 * 12/2020 Chen A63F 13/24
D912,155 S * 3/2021 Yang D21/333
D933,554 S * 10/2021 Jenkins D12/176
D935,963 S * 11/2021 Hamada D12/176
D954,841 S * 6/2022 Conrad D21/333
2001/0049302 A1 * 12/2001 Hagiwara A63F 13/02
2007/0265078 A1 * 11/2007 Yu A63F 13/06
2007/0265079 A1 * 11/2007 Yu A63F 13/803
2011/0281649 A1 * 11/2011 Jaouen A63F 13/245

OTHER PUBLICATIONS

“Thrustmaster T80 Ferrari” Nov. 17, 2017, Amazon, site visited, Jul. 27, 2022: <https://amzn.to/3Ja6fMO> (Year: 2017).*

“Thrustmaster T150 RS Racing Wheel”, Sep. 3, 2015, Amazon, site visited Jul. 27, 2022: <https://amzn.to/3Ja6fMO> (Year: 2015).*

“Thrustmaster T300 RS”, Oct. 1, 2016, Amazon, site visited Jul. 27, 2022: <https://amzn.to/3JiyEQX> (Year: 2016).*

* cited by examiner

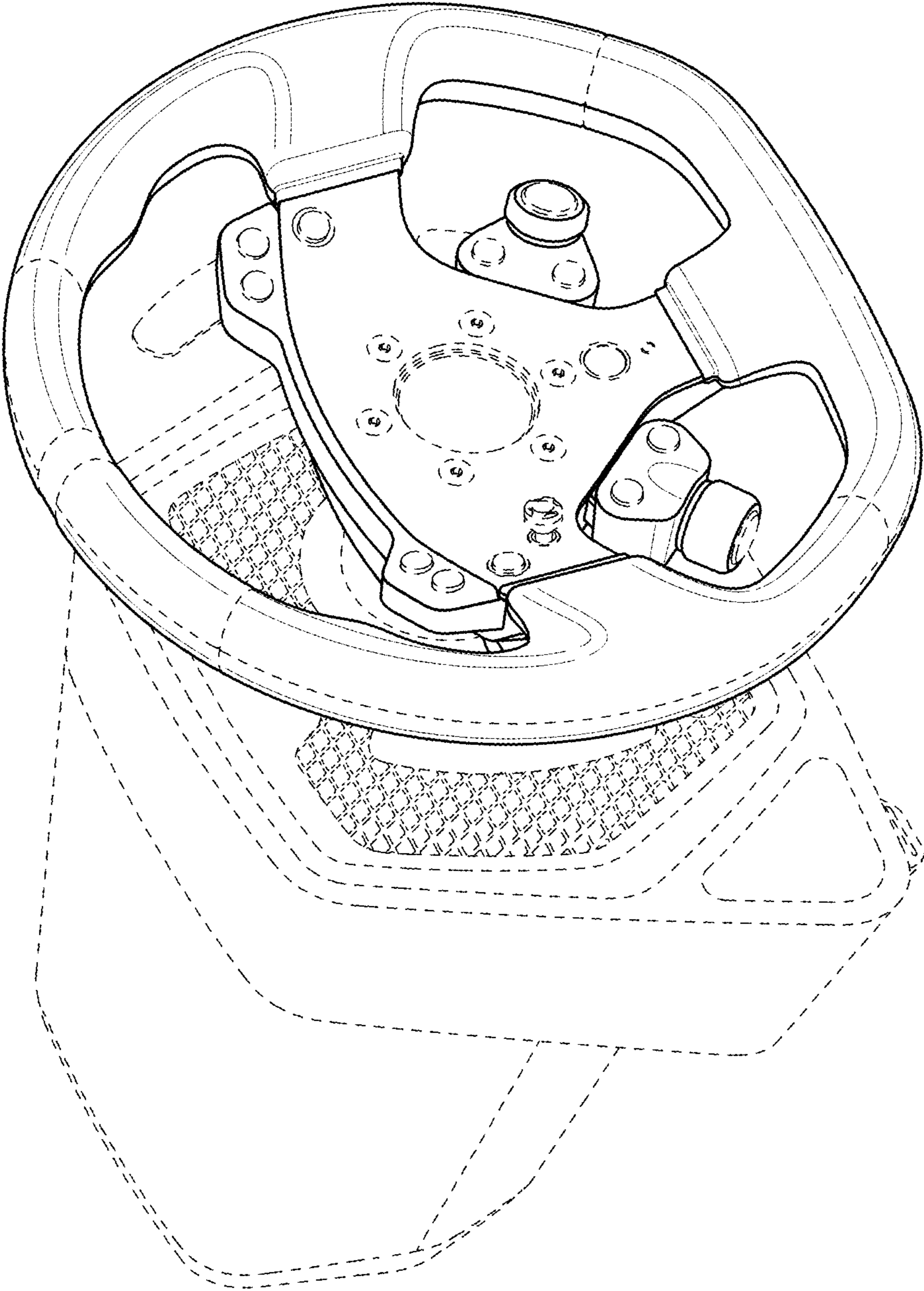


FIG. 1

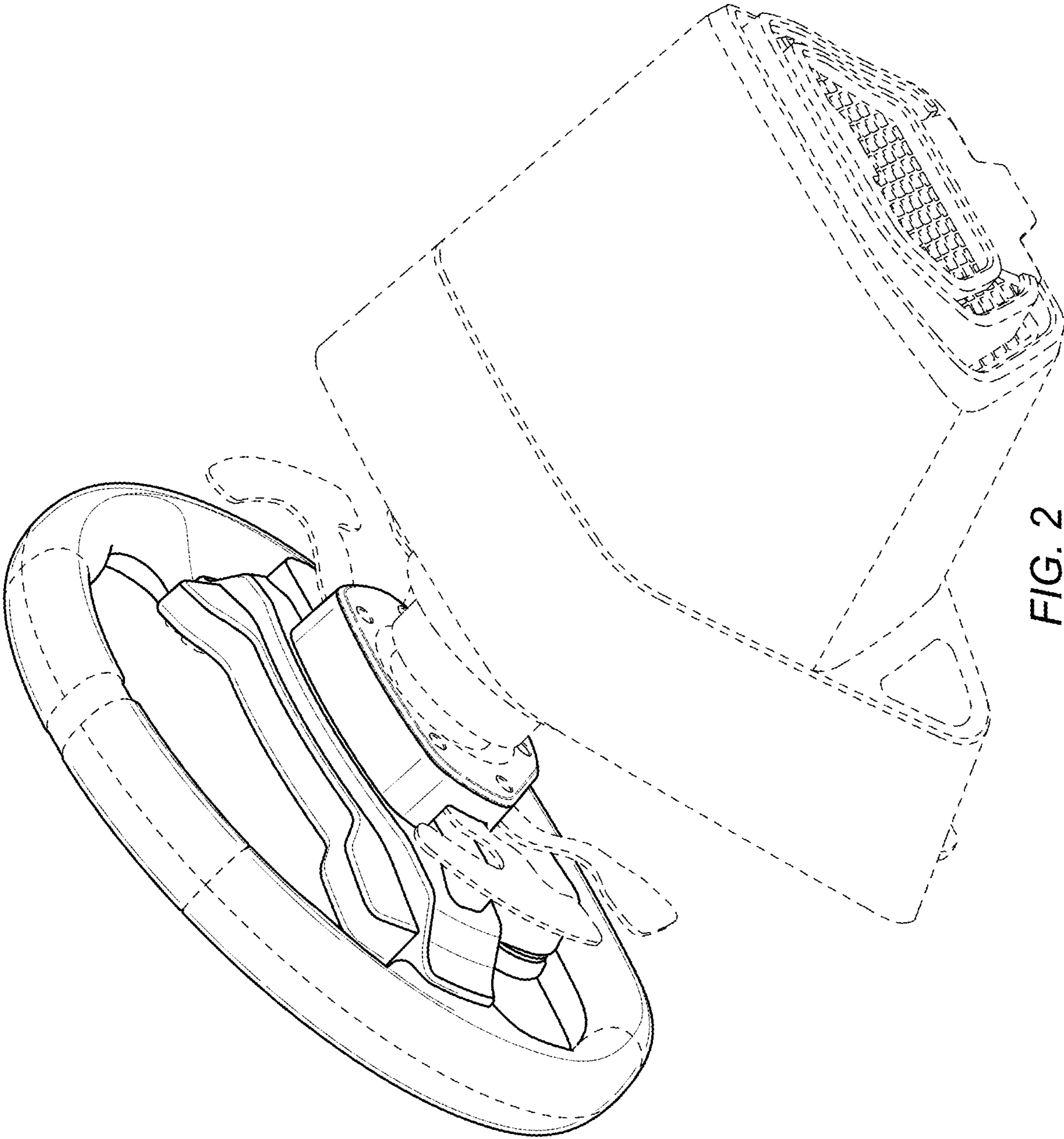


FIG. 2

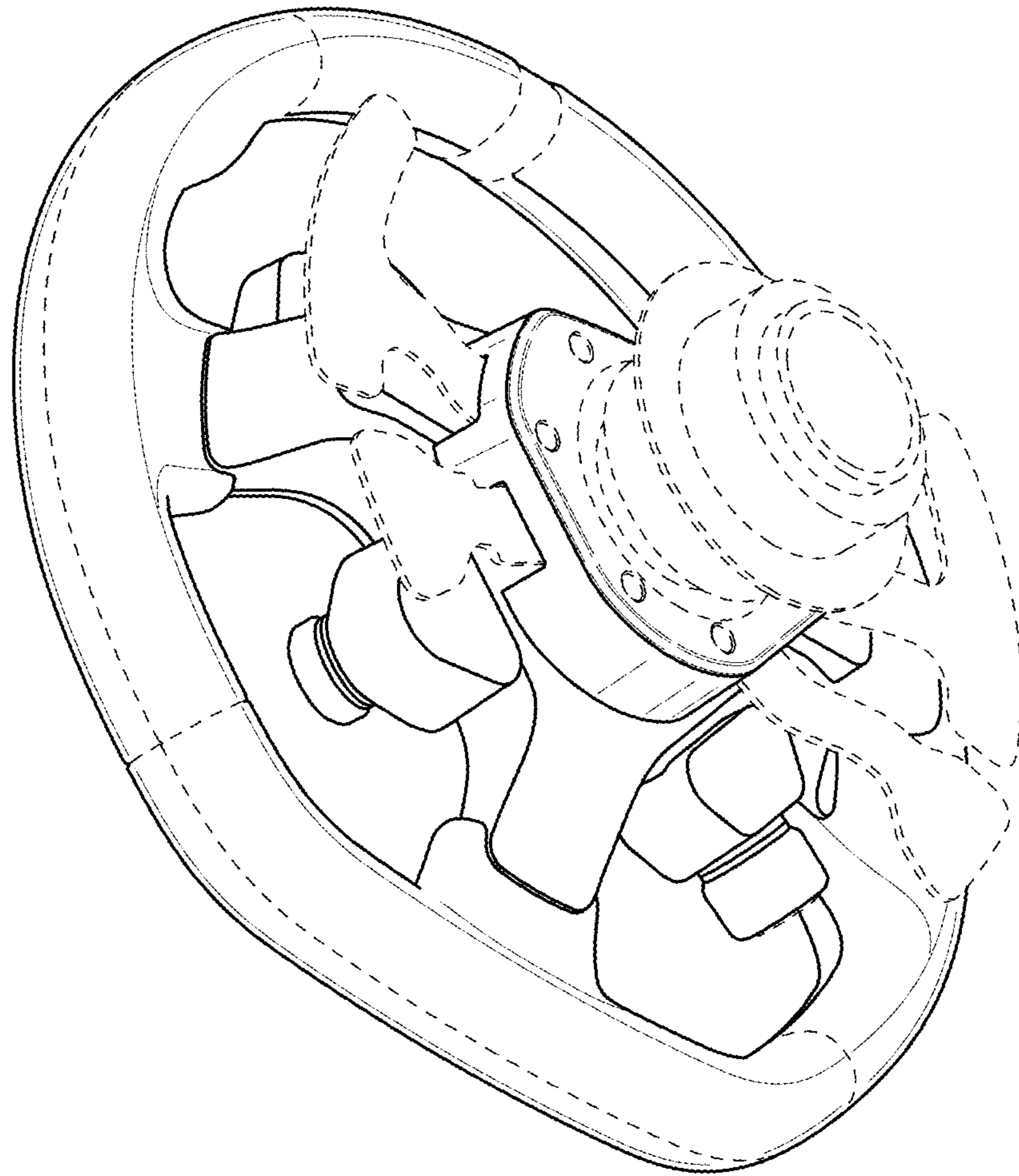


FIG. 3

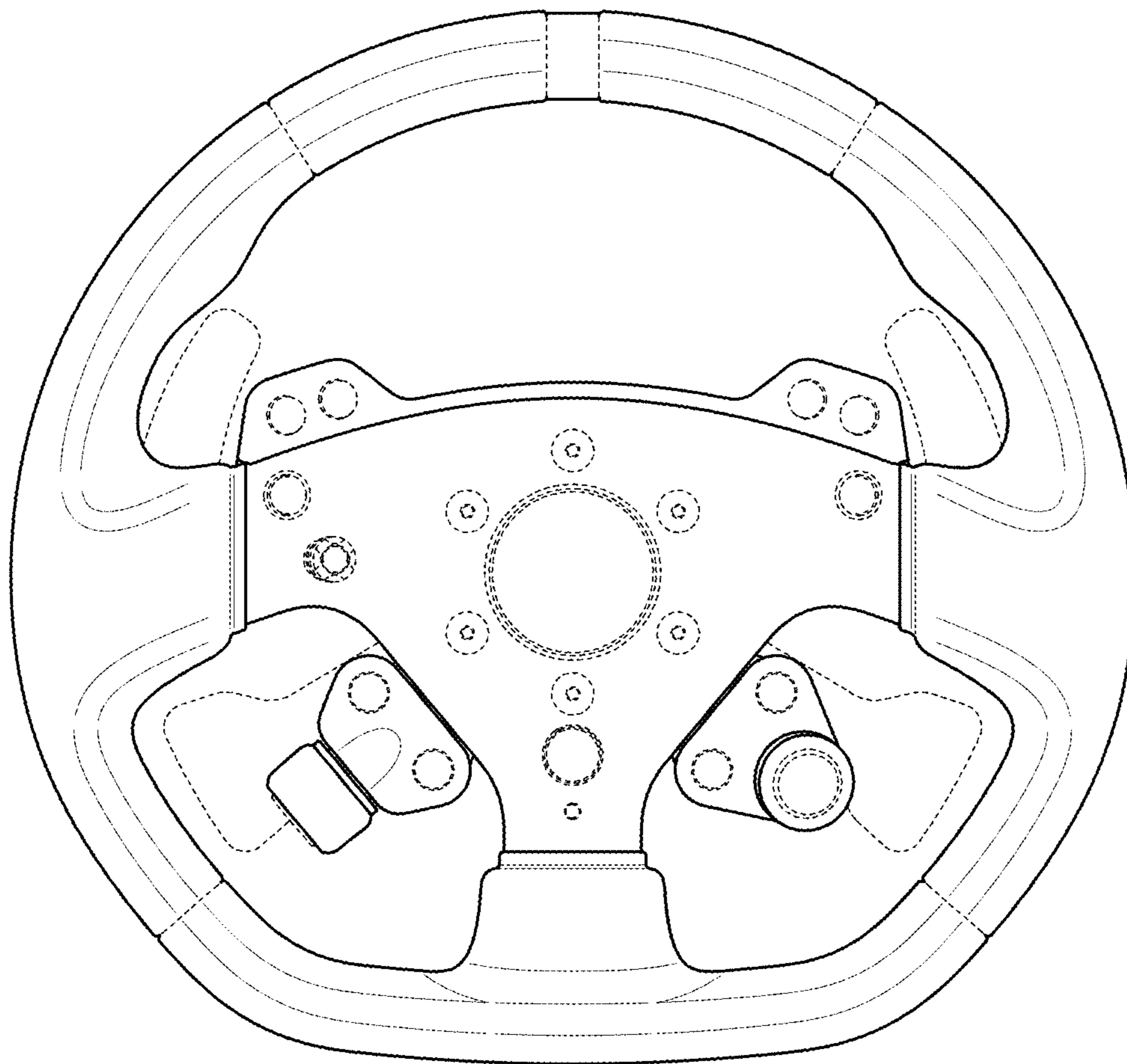


FIG. 4

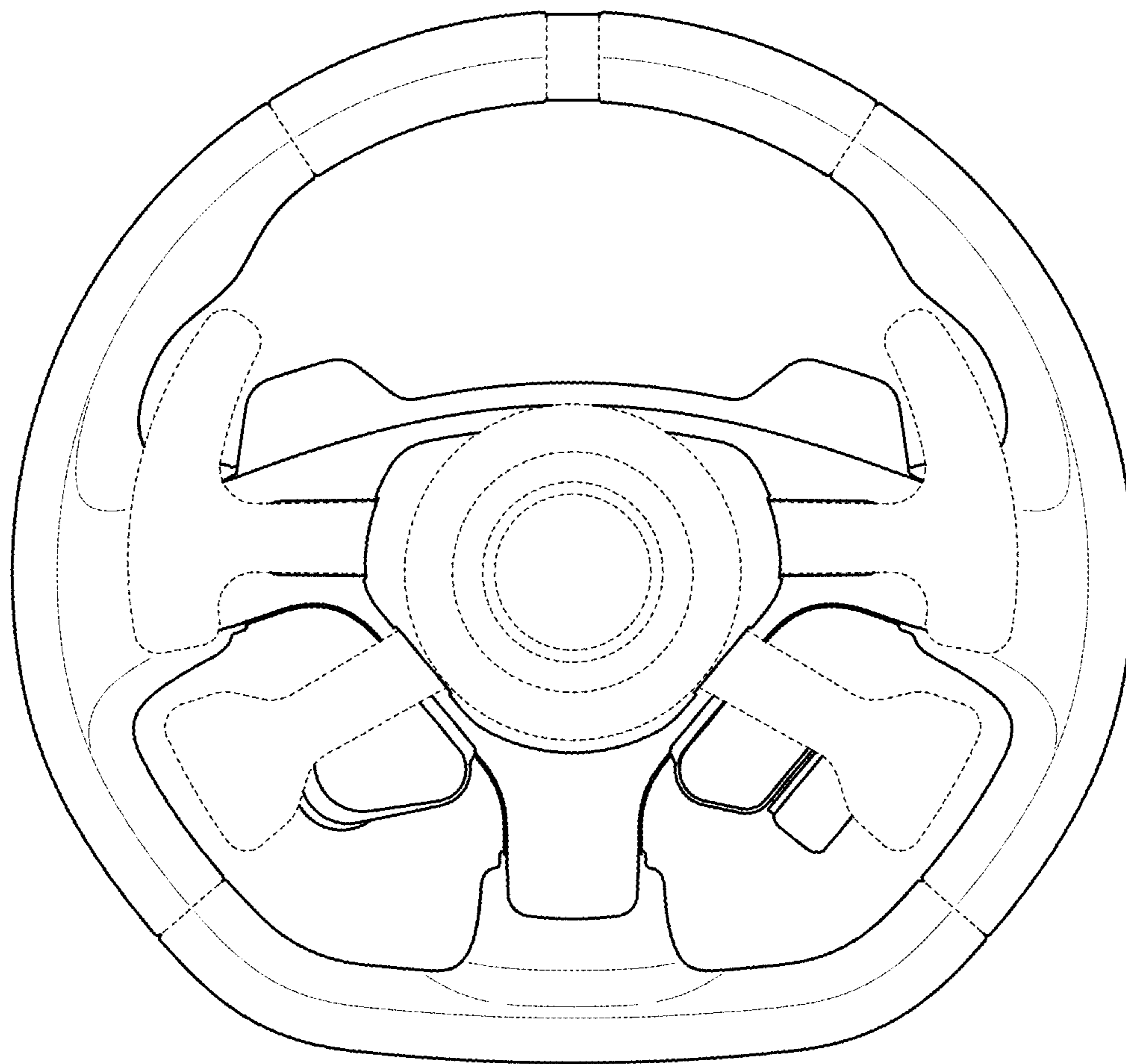


FIG. 5

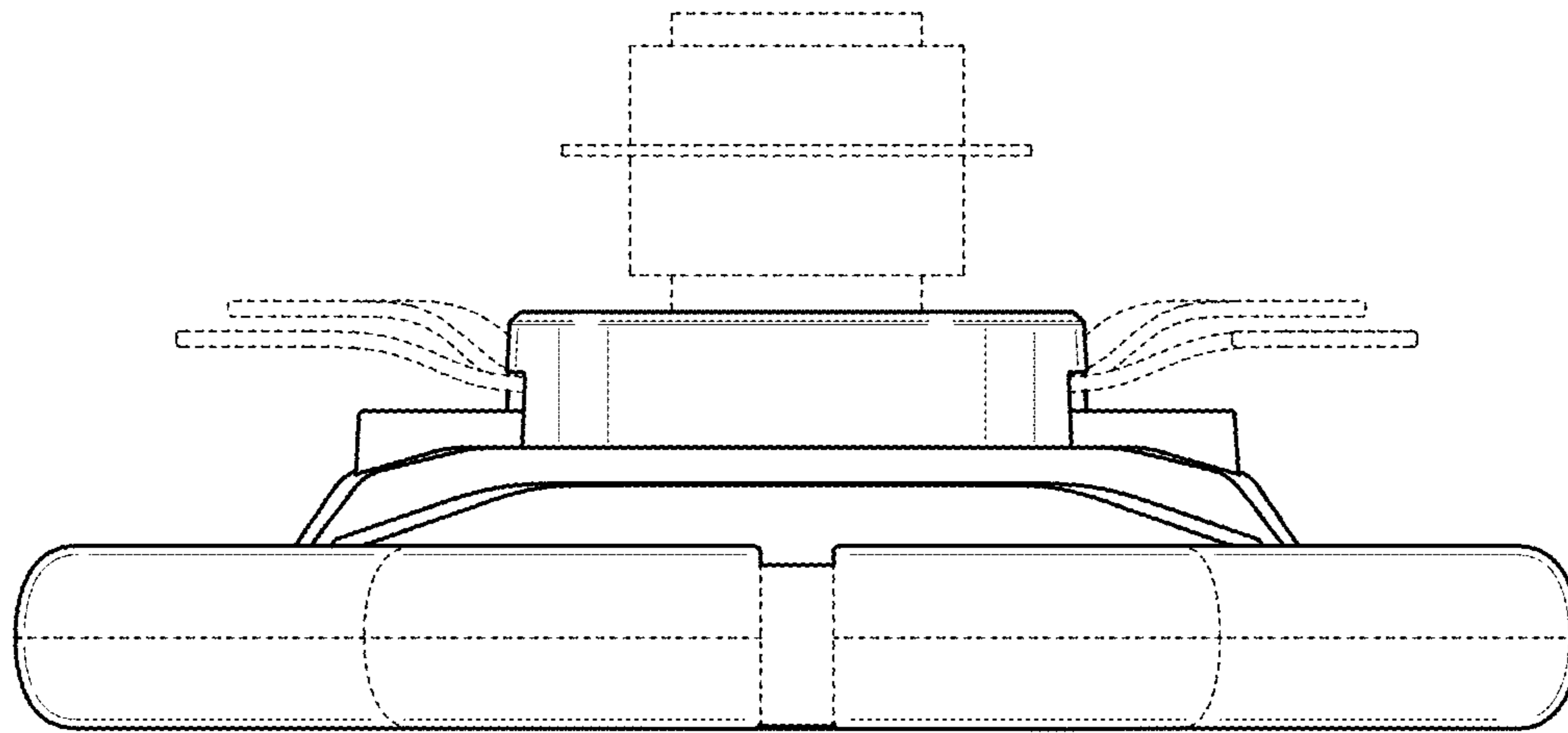


FIG. 6

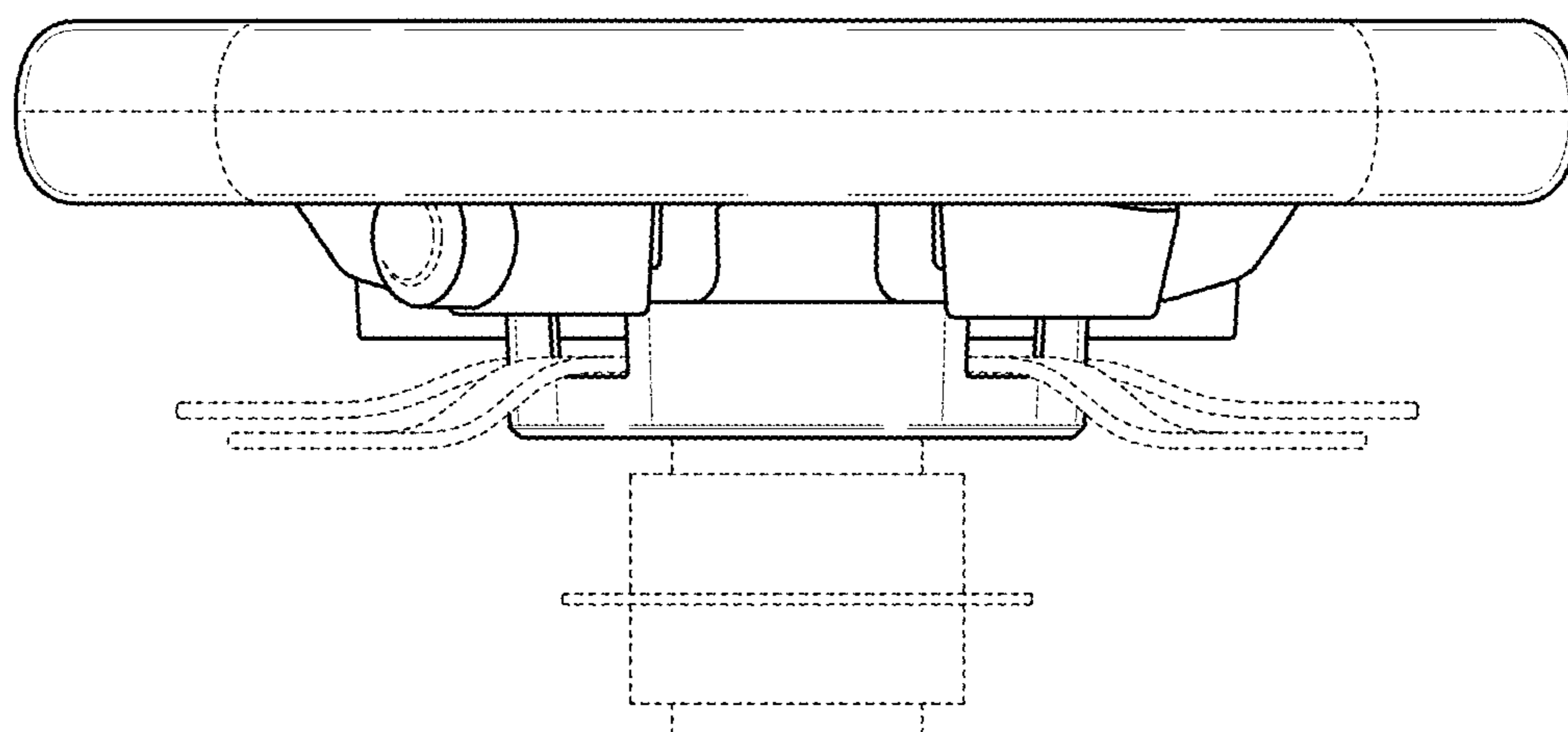


FIG. 7

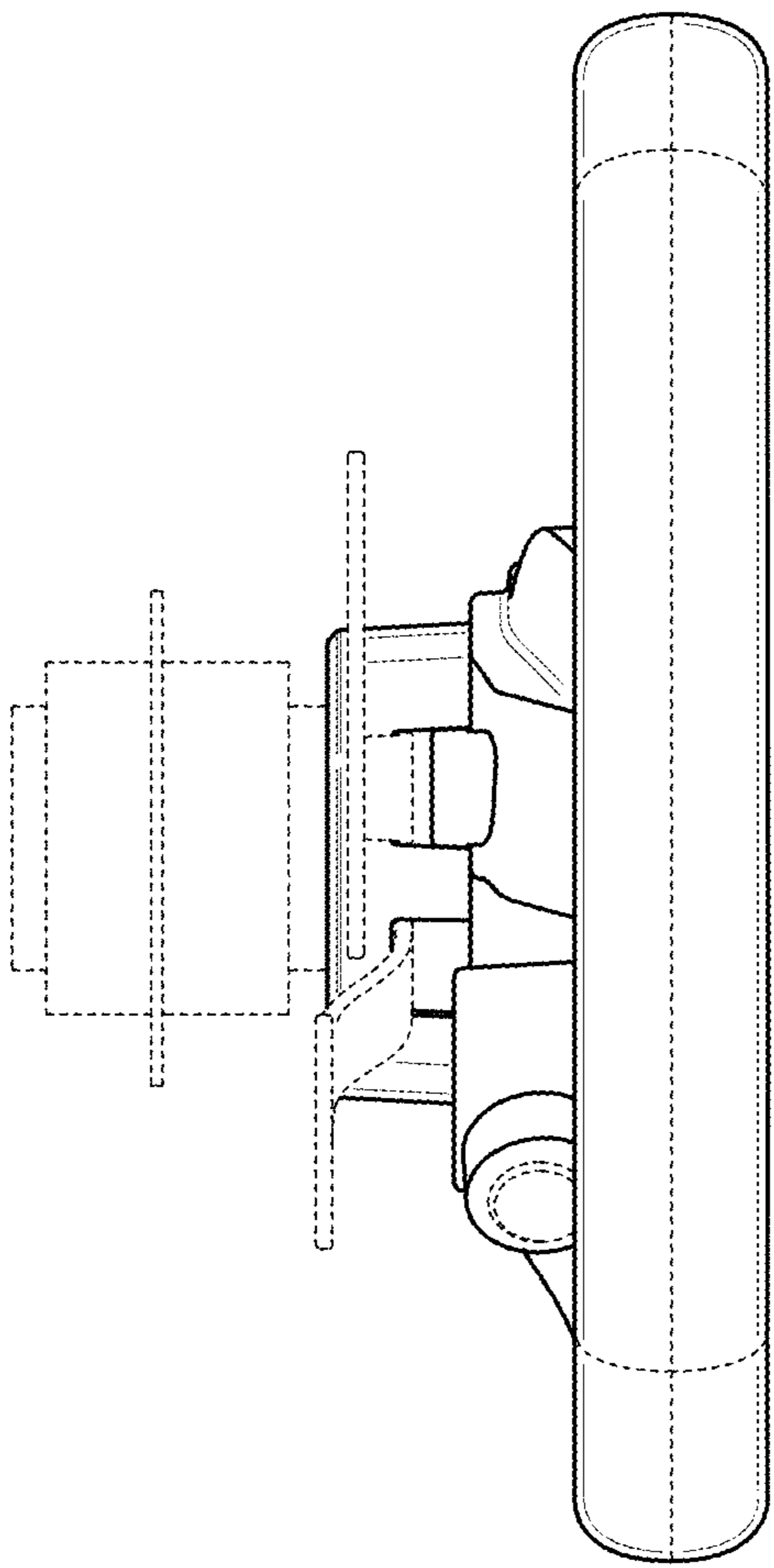


FIG. 8

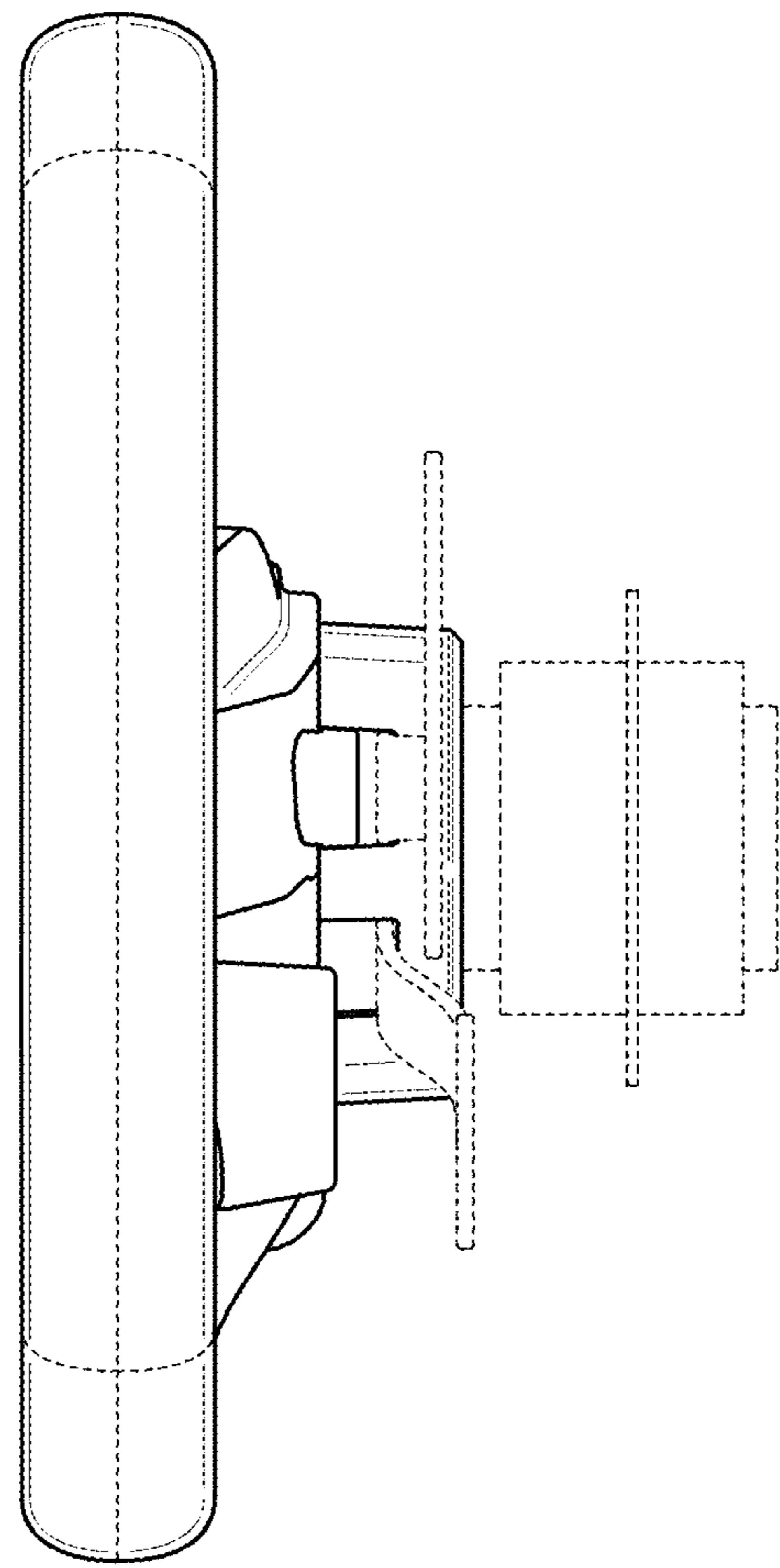


FIG. 9