

US00D973773S

(12) **United States Design Patent**
Hussey et al.

(10) **Patent No.:** **US D973,773 S**
(45) **Date of Patent:** **** Dec. 27, 2022**

(54) **BARTOP GAMING CONSOLE**

(71) Applicant: **IGT**, Las Vegas, NV (US)

(72) Inventors: **Lance Hussey**, Thousand Oaks, CA (US); **Shushuo Wu**, Thousand Oaks, CA (US)

(73) Assignee: **IGT**, Las Vegas, NV (US)

(**) Term: **15 Years**

(21) Appl. No.: **29/673,196**

(22) Filed: **Dec. 12, 2018**

(51) **LOC (13) Cl.** **21-02**

(52) **U.S. Cl.**
USPC **D21/325**; D14/172

(58) **Field of Classification Search**
USPC D14/172–173, 188, 203.1–203.7, 265,
D14/324, 496; D21/324–326, 329, 330,
D21/332, 333

(Continued)

(56) **References Cited**

U.S. PATENT DOCUMENTS

D306,582 S * 3/1990 Miyahara D14/126
5,813,914 A 9/1998 Mckay et al.

(Continued)

OTHER PUBLICATIONS

“PeakBarTop™ Gaming Machine by IGT—Product Video” Mar. 16, 2020, site visited Jul. 21, 2021: <https://youtu.be/bvo4-k0dDj8> (Year: 2020).*

Primary Examiner — Michael C Stout

Assistant Examiner — Melvin L Davis

(74) *Attorney, Agent, or Firm* — Neal, Gerber & Eisenberg LLP

(57) **CLAIM**

The ornamental design for a bartop gaming console, as shown and described.

DESCRIPTION

FIG. 1 is a top view of a first embodiment of a bartop gaming console;

FIG. 2 is a front view of the first embodiment of the bartop gaming console;

FIG. 3 is a left, side view of the first embodiment of the bartop gaming console;

FIG. 4 is a right, side view of the first embodiment of the bartop gaming console;

FIG. 5 is a rear view of the first embodiment of the bartop gaming console;

FIG. 6 is a bottom view of the first embodiment of the bartop gaming console;

FIG. 7 is a front, elevated view of the first embodiment of the bartop gaming console;

FIG. 8 is a rear, elevated view of the first embodiment of the bartop gaming console;

FIG. 9 is a top view of a second embodiment of a bartop gaming console;

FIG. 10 is a front view of the second embodiment of the bartop gaming console;

FIG. 11 is a left, side view of the second embodiment of the bartop gaming console;

FIG. 12 is a right, side view of the second embodiment of the bartop gaming console;

FIG. 13 is a rear view of the second embodiment of the bartop gaming console;

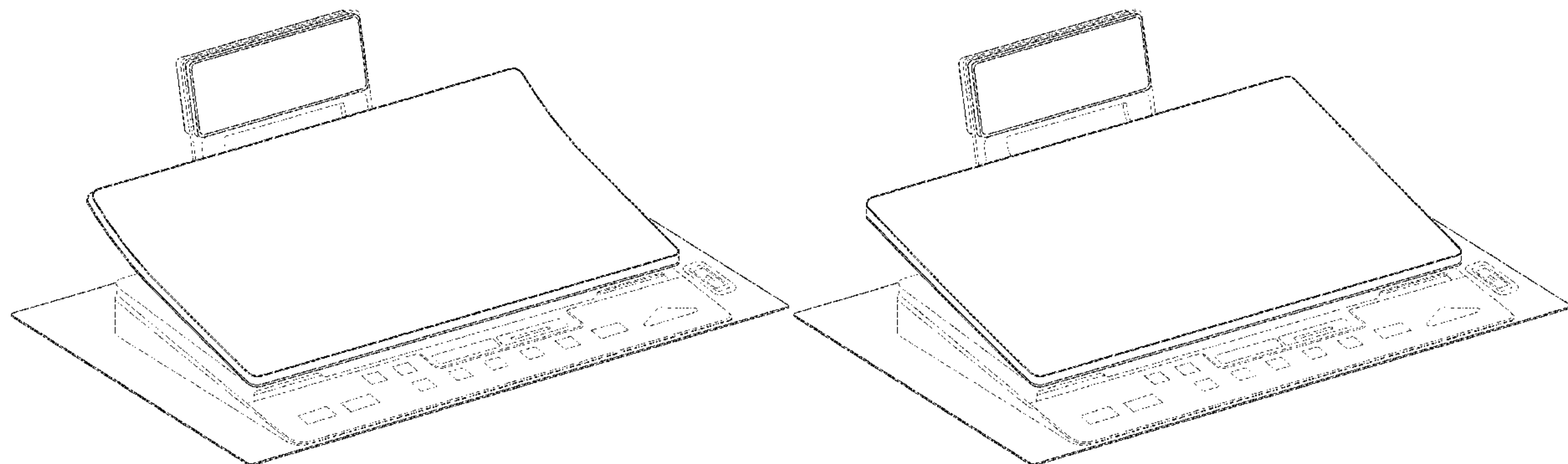
FIG. 14 is a bottom view of the second embodiment of the bartop gaming console;

FIG. 15 is a front elevated view of the second embodiment of the bartop gaming console; and,

FIG. 16 is a rear, elevated view of the second embodiment of the bartop gaming console.

The broken line showing of the bartop gaming console is for the purpose of illustrating portions of the article that forms no part of the claimed design.

1 Claim, 16 Drawing Sheets



(58) **Field of Classification Search**
 CPC A63F 9/00; A63F 9/24
 See application file for complete search history.

(56) **References Cited**

U.S. PATENT DOCUMENTS

D460,120 S * 7/2002 Lynch D21/325
 D460,915 S * 7/2002 Lynch D21/329
 6,688,984 B2 2/2004 Cole
 6,997,810 B2 2/2006 Cole
 7,267,613 B2 9/2007 Cole
 D559,917 S 1/2008 Cole
 7,396,282 B2 7/2008 Gauselmann
 7,993,198 B2 8/2011 Walker et al.
 8,033,902 B2 10/2011 Wells et al.
 8,272,947 B2 9/2012 Gagner et al.
 8,864,135 B2 10/2014 Baerlocher et al.
 8,870,663 B2 10/2014 Cole
 9,367,835 B2 * 6/2016 Nelson G07F 17/3223
 9,396,606 B2 * 7/2016 Baerlocher G07F 17/32
 9,443,385 B2 9/2016 Adiraju et al.
 9,508,220 B2 11/2016 Walker et al.
 9,824,523 B2 11/2017 Cannon et al.
 9,852,578 B2 * 12/2017 Nelson G07F 17/3241

10,169,957 B2 * 1/2019 Hightower G07F 17/3225
 D842,929 S * 3/2019 Hung D21/325
 D849,816 S * 5/2019 Klein D16/131
 10,380,843 B2 * 8/2019 Higgins G06Q 20/3223
 D872,188 S 1/2020 Bernard et al.
 D872,189 S 1/2020 Bernard et al.
 D873,921 S 1/2020 Bernard et al.
 D880,609 S 4/2020 Bernard et al.
 D886,905 S 6/2020 Bernard et al.
 D890,848 S * 7/2020 Johnson D21/369
 D890,849 S * 7/2020 Johnson D21/369
 D893,628 S * 8/2020 Thoeni D21/300
 D893,632 S * 8/2020 McGahn D21/369
 10,807,000 B2 * 10/2020 Nelson G07F 17/3246
 10,825,287 B2 * 11/2020 Feng G10K 11/178
 10,885,736 B2 * 1/2021 Idris G07F 17/3209
 10,895,918 B2 * 1/2021 Bean G06N 3/08
 10,916,086 B2 * 2/2021 Edick G07F 17/3213
 D918,225 S * 5/2021 Moody D14/485
 11,011,015 B2 * 5/2021 Achmueller G07F 17/3204
 11,030,847 B2 * 6/2021 Rosander G07F 17/3213
 2009/0111573 A1 4/2009 Iddings
 2009/0221375 A1 9/2009 Luciano et al.
 2009/0233681 A1 9/2009 Tsukahara
 2014/0274252 A1 9/2014 Chun

* cited by examiner

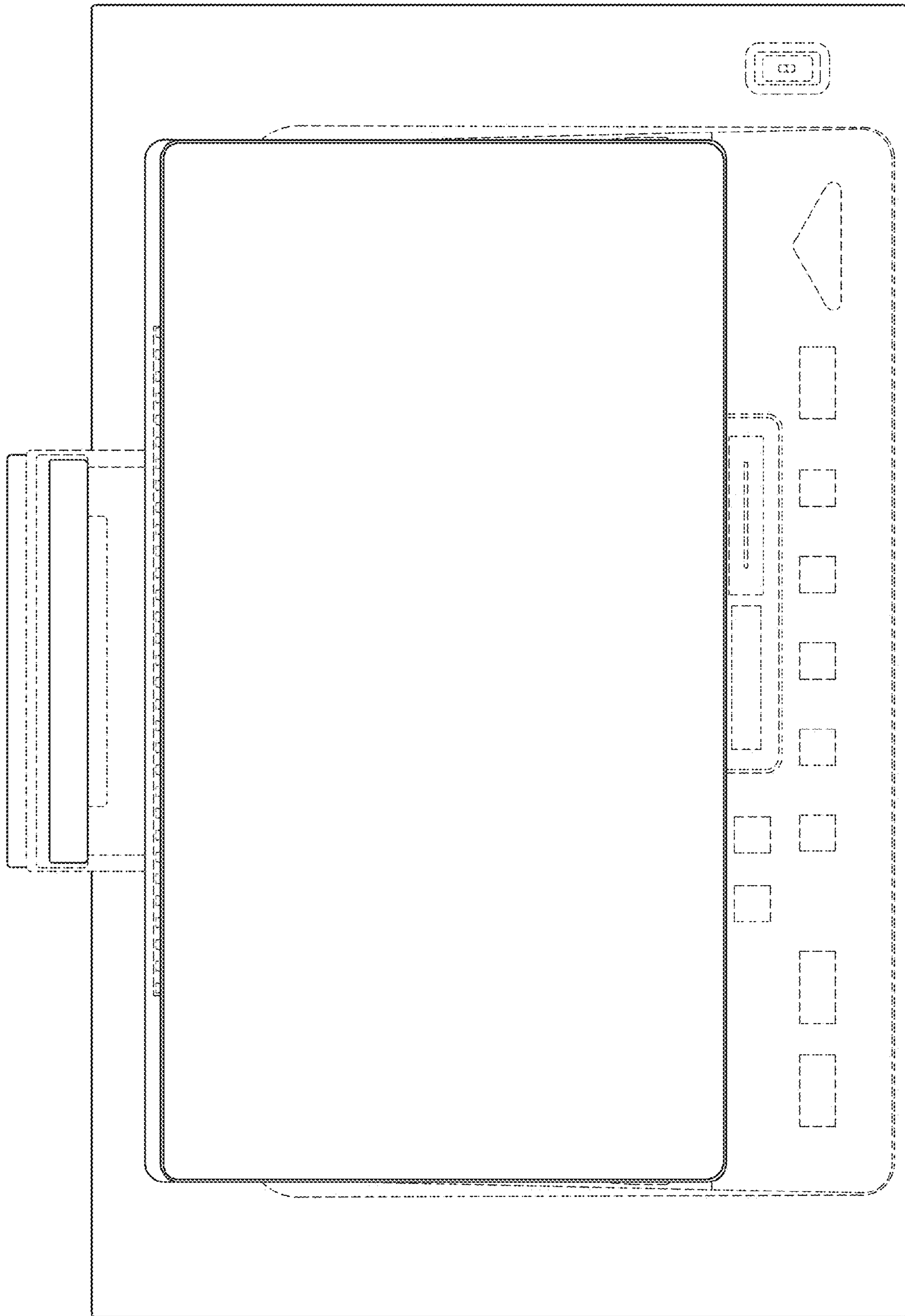


FIG. 1

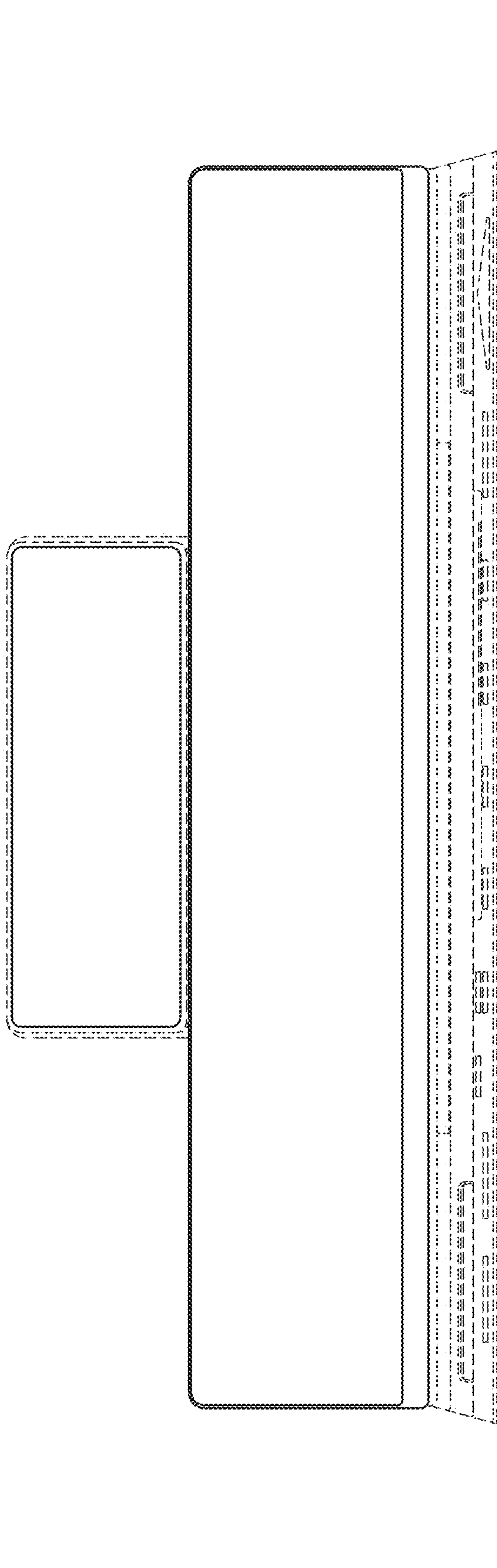


FIG. 2

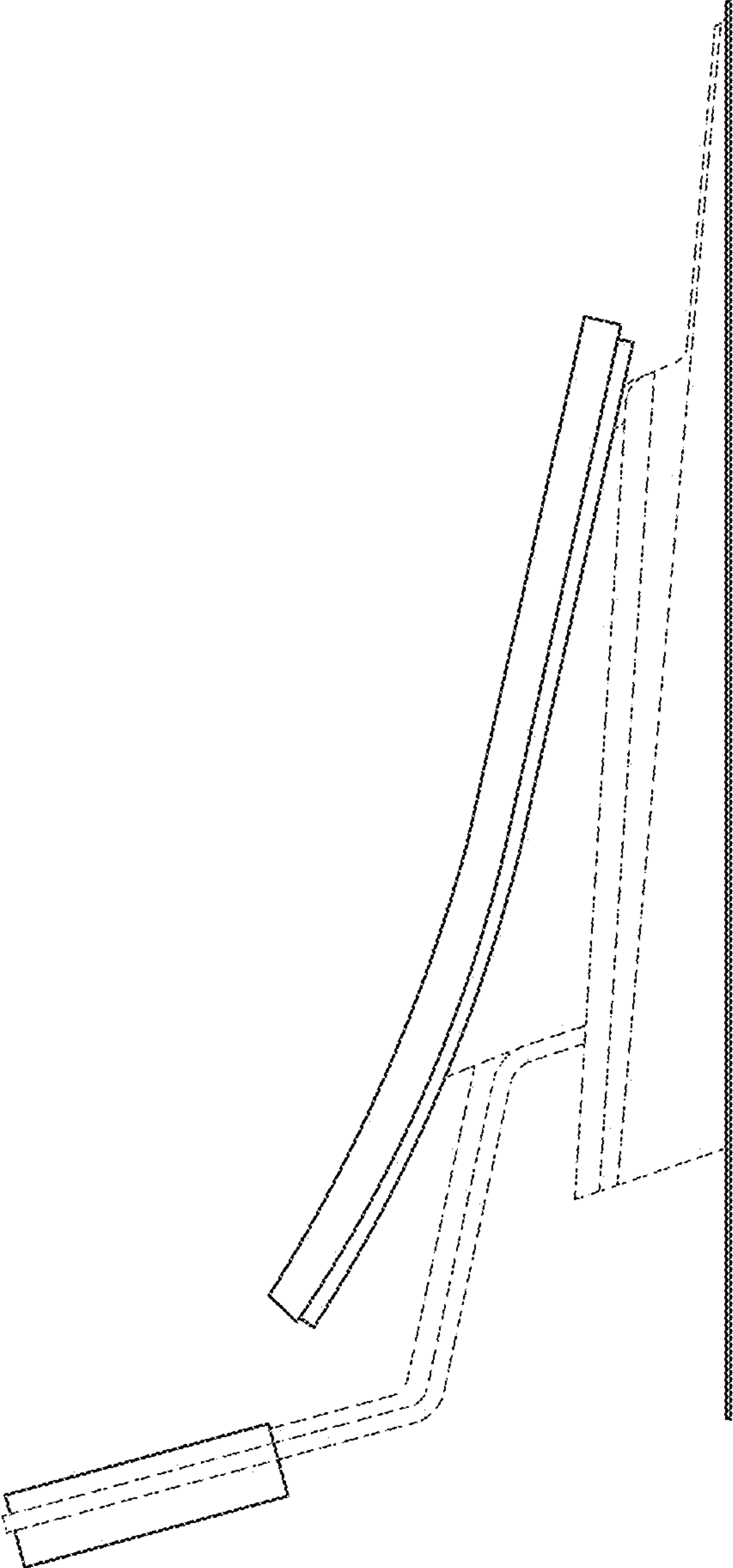


FIG. 3

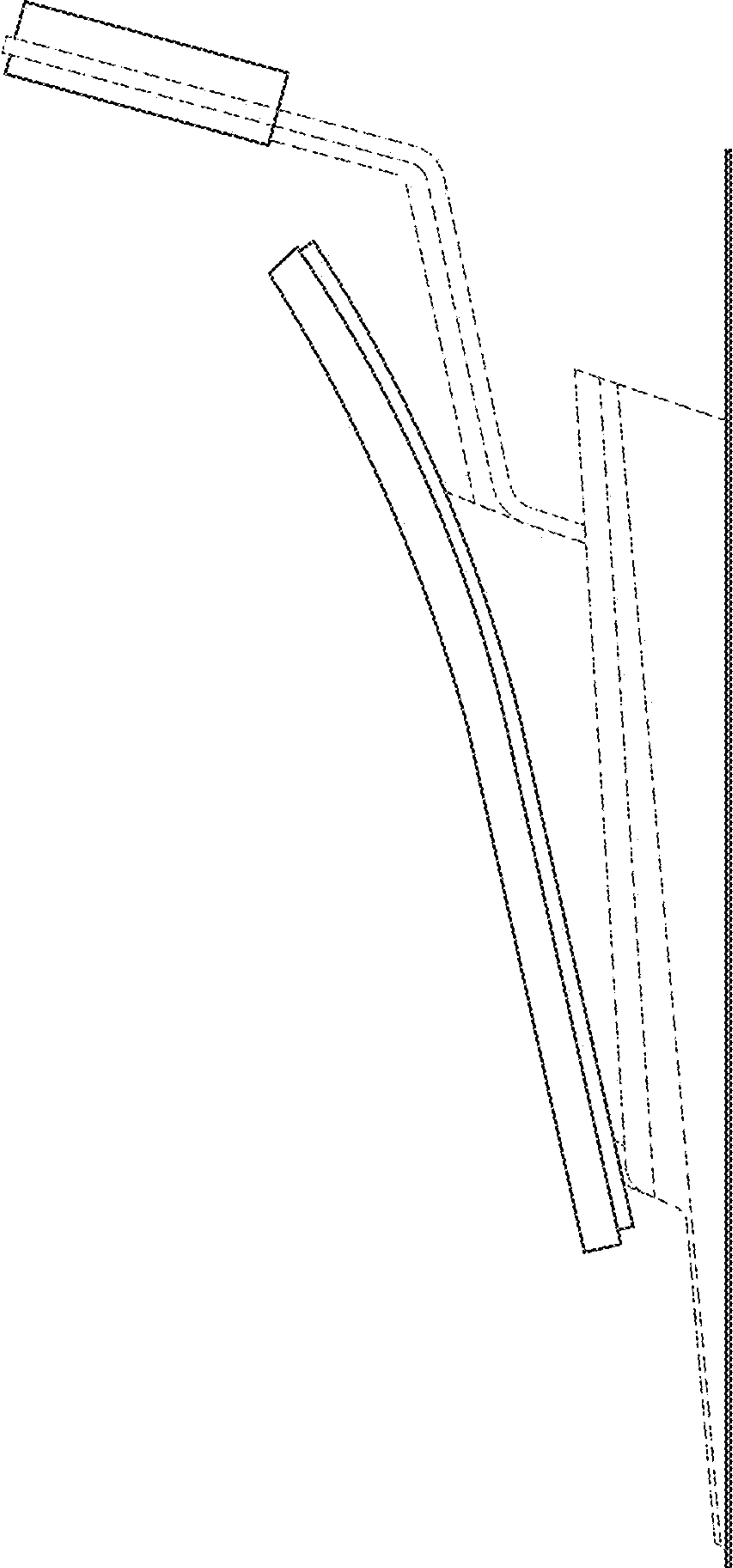


FIG. 4

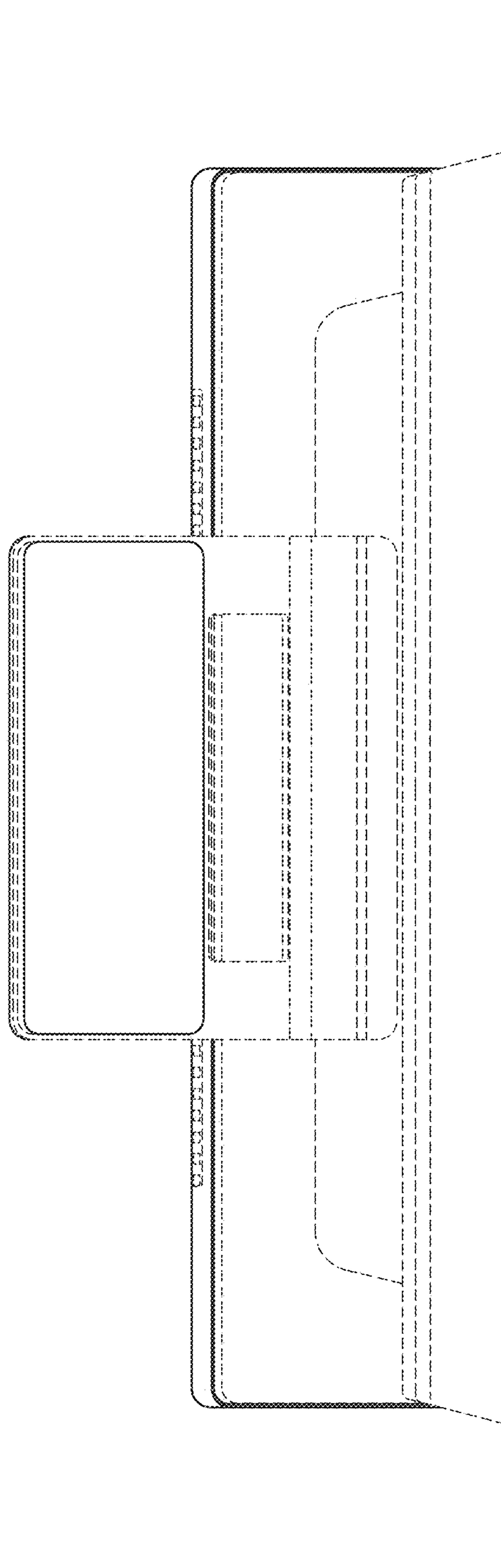


FIG. 5

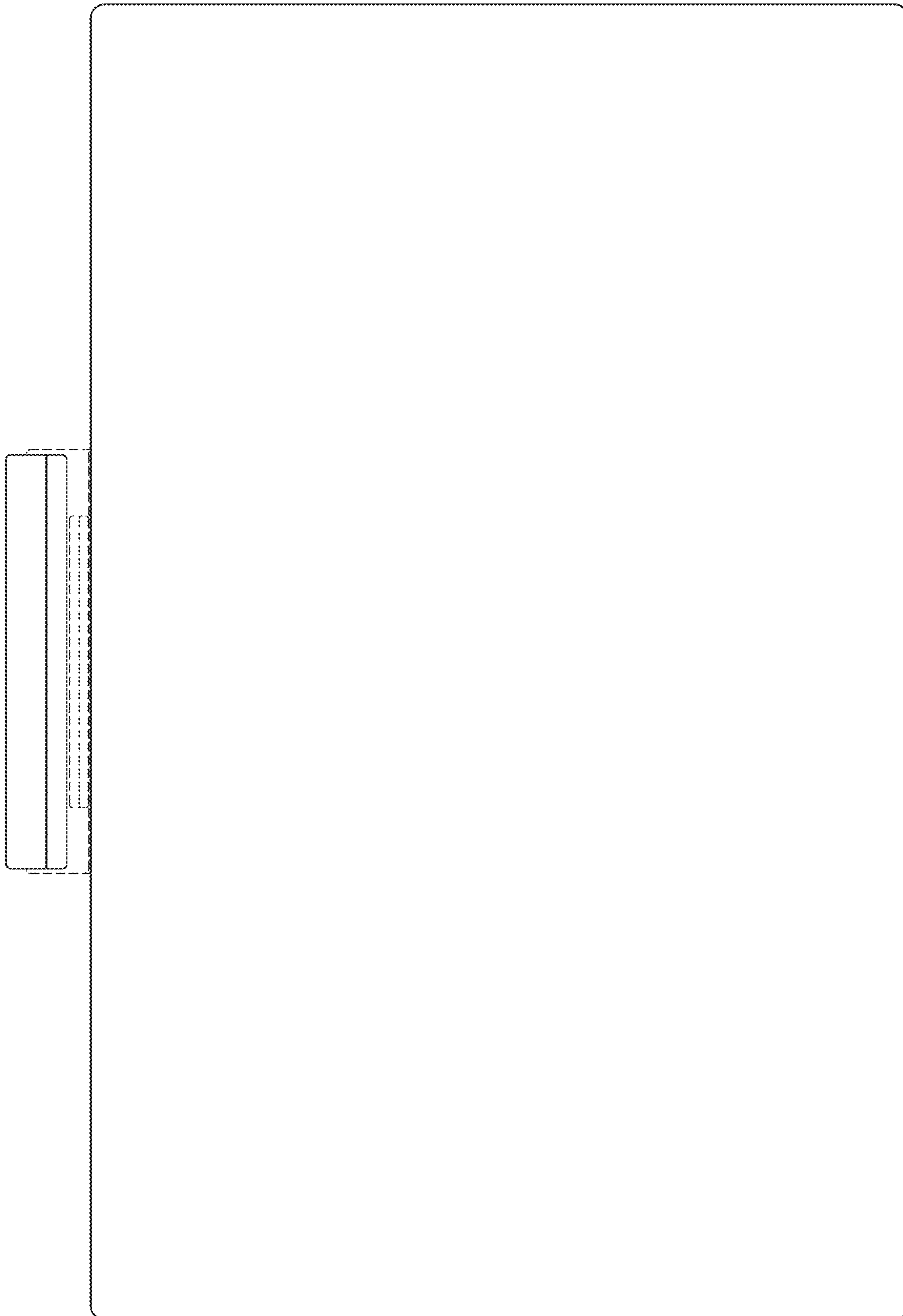


FIG. 6

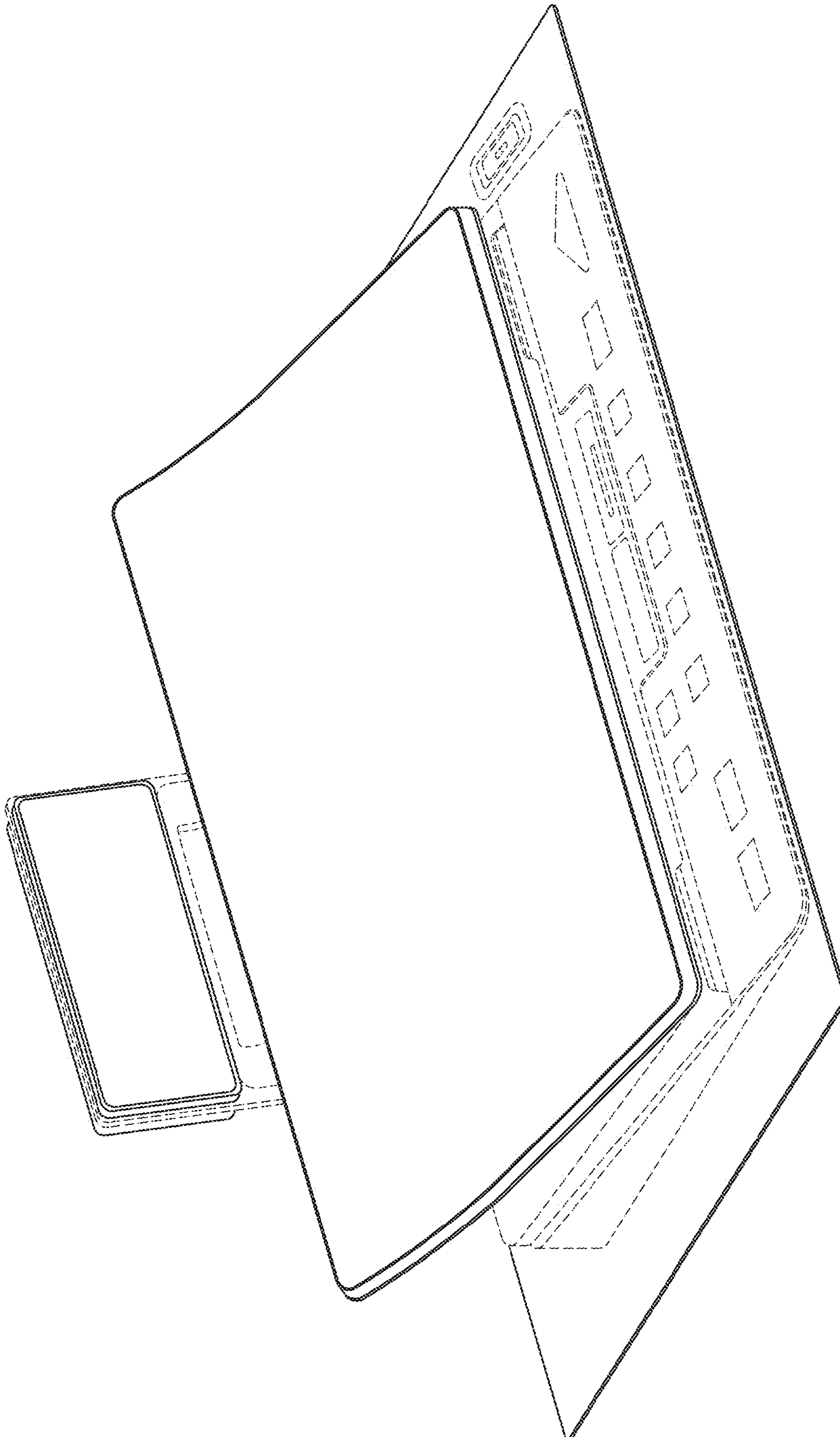


FIG. 7

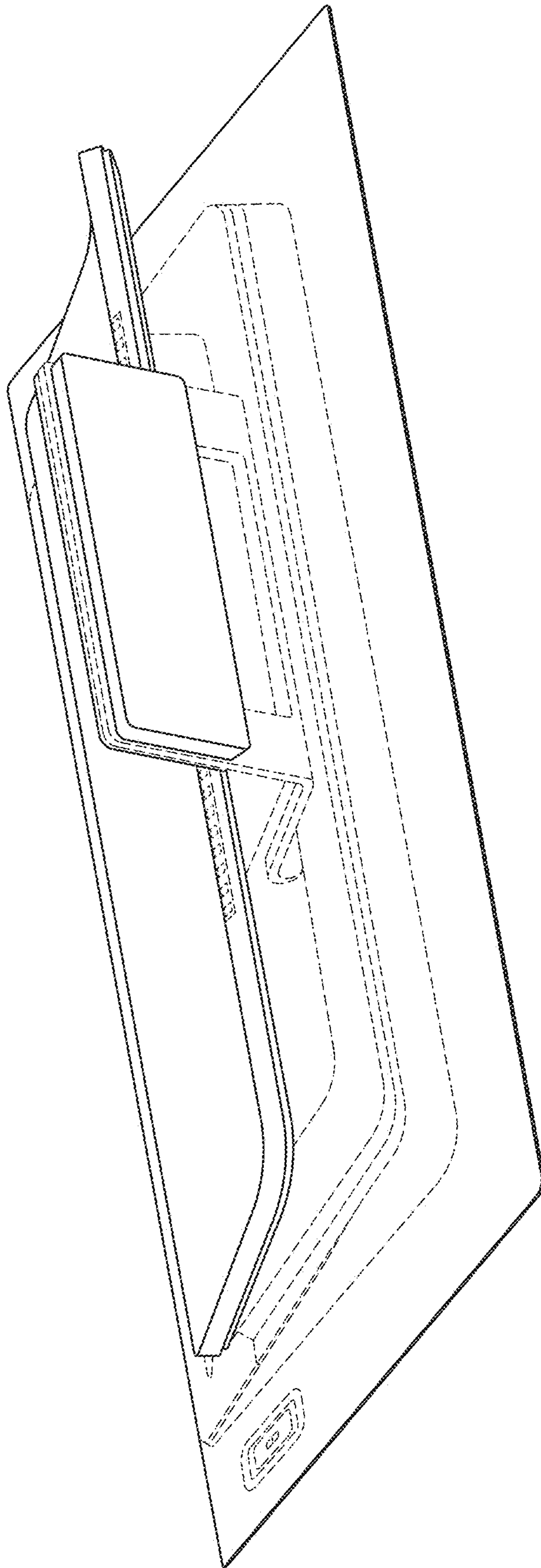


FIG. 8

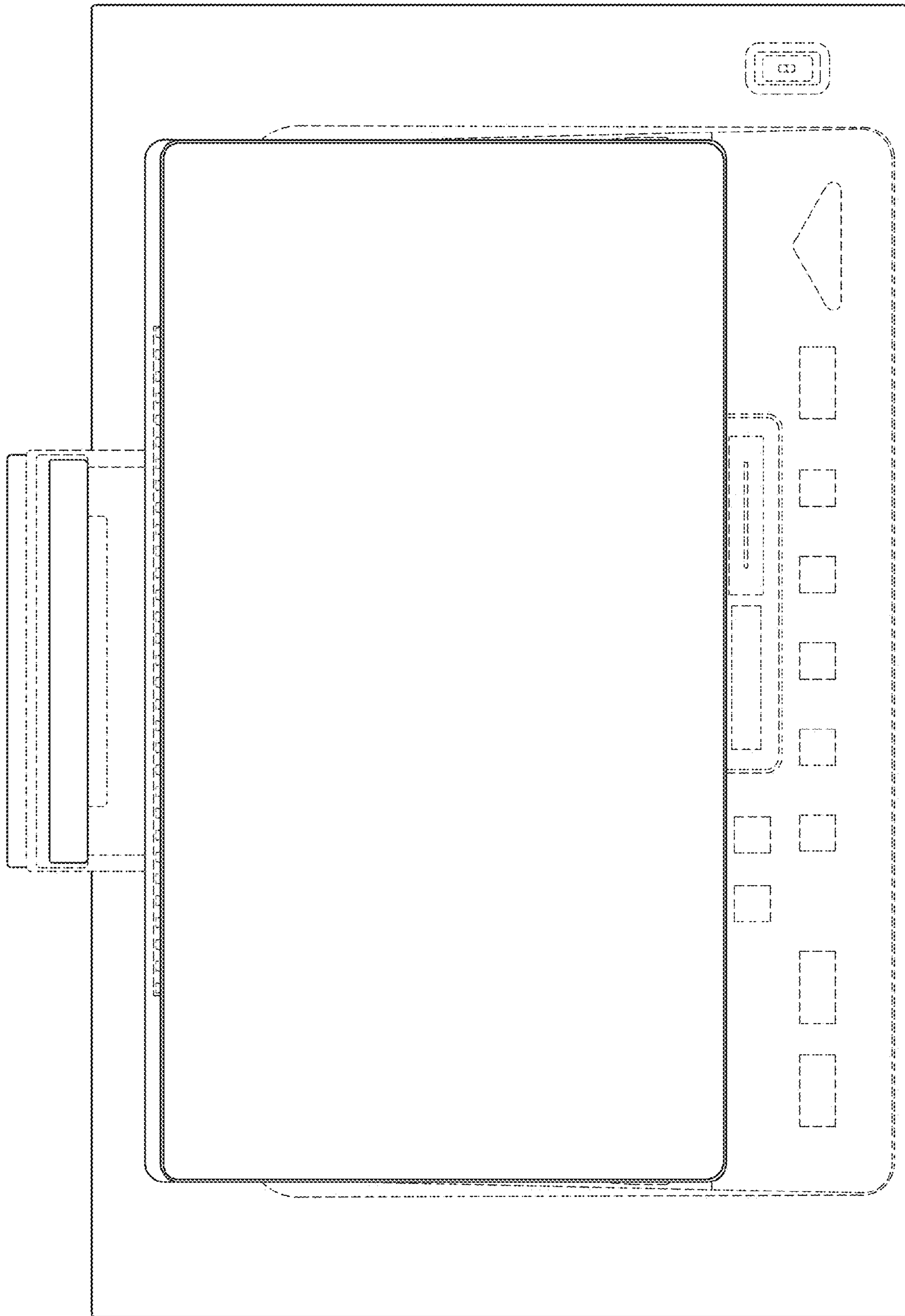


FIG. 9

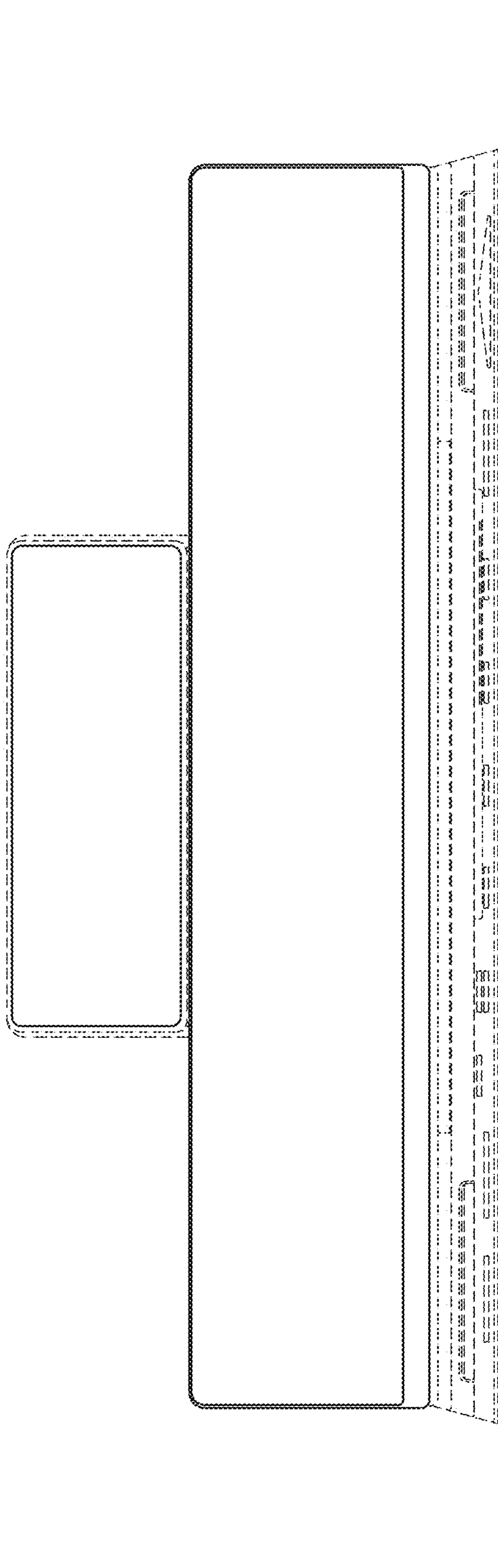


FIG. 10

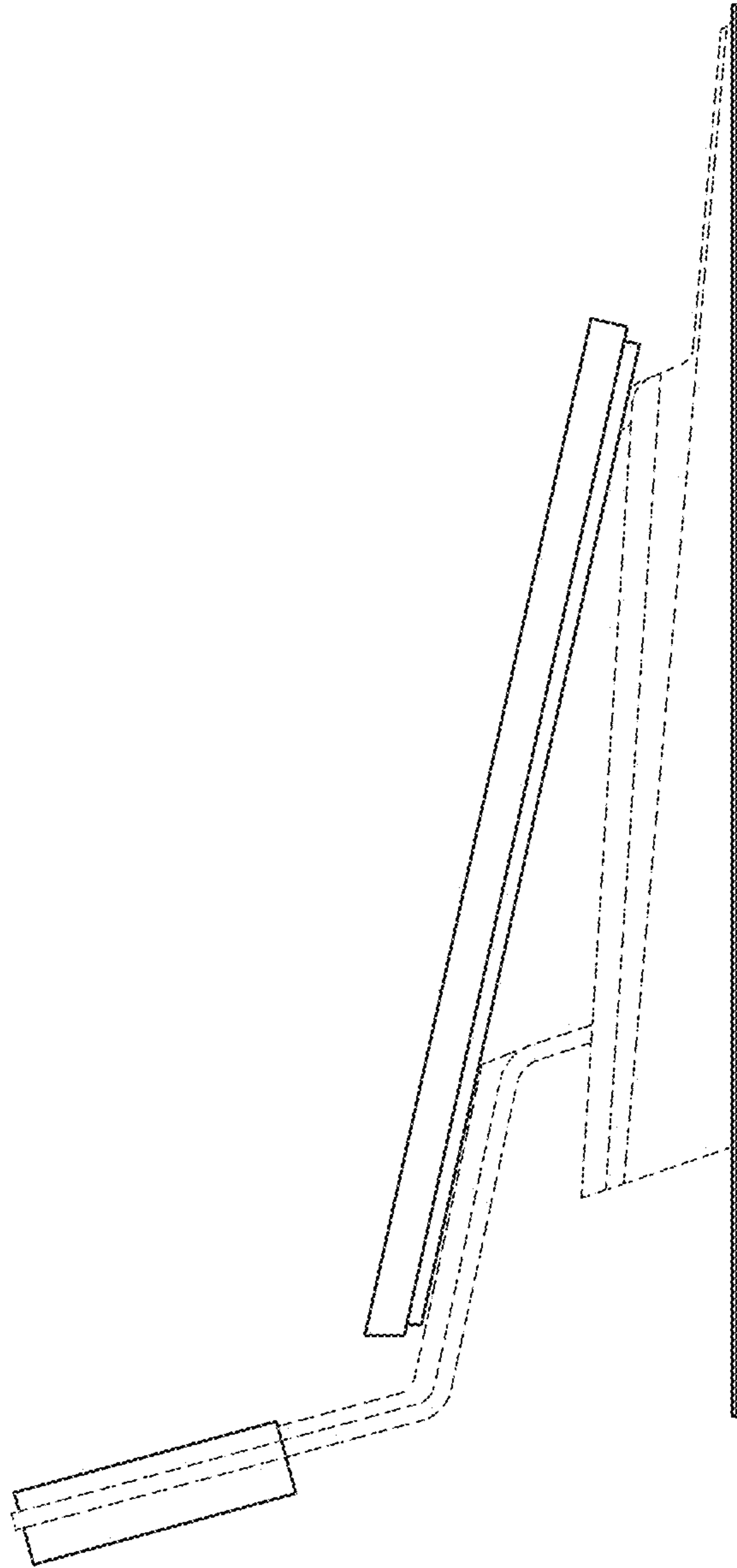


FIG. 11

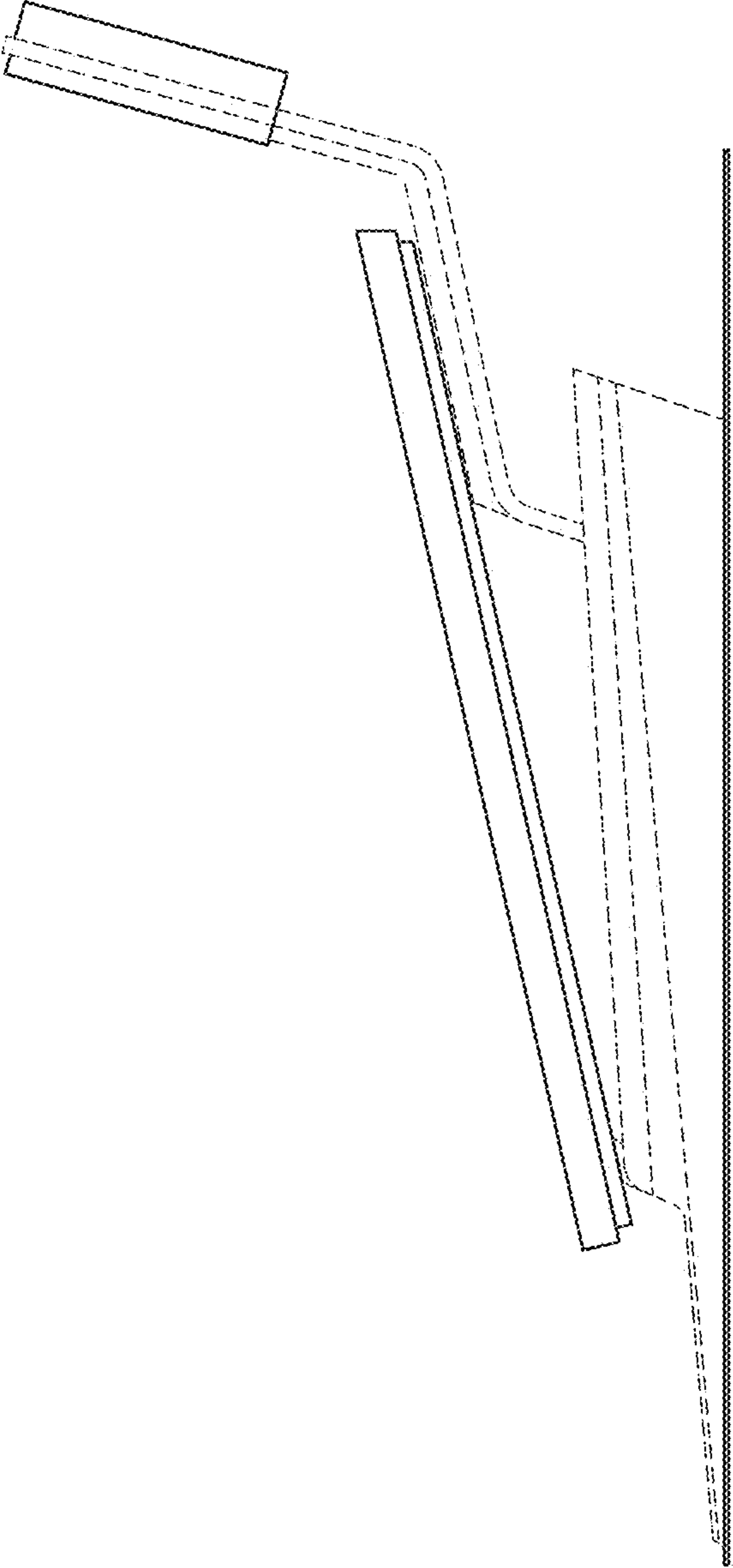


FIG. 12

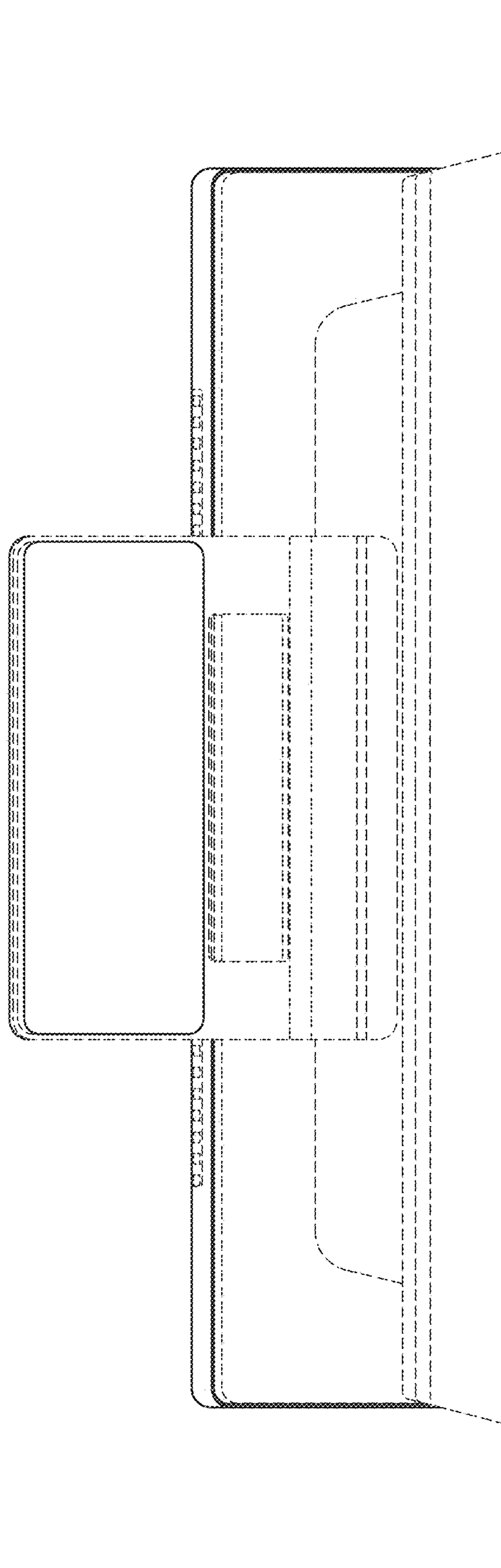


FIG. 13

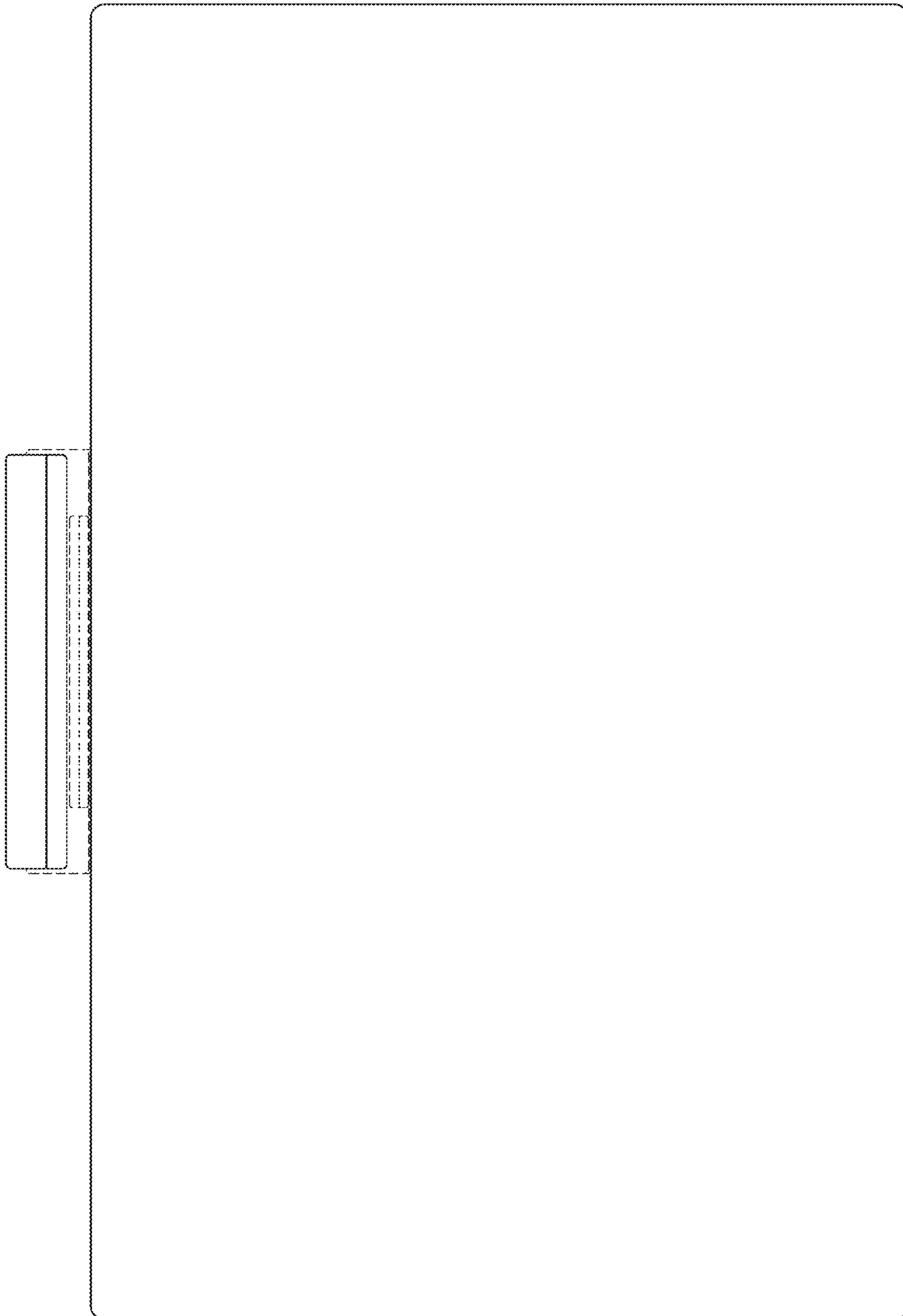


FIG. 14

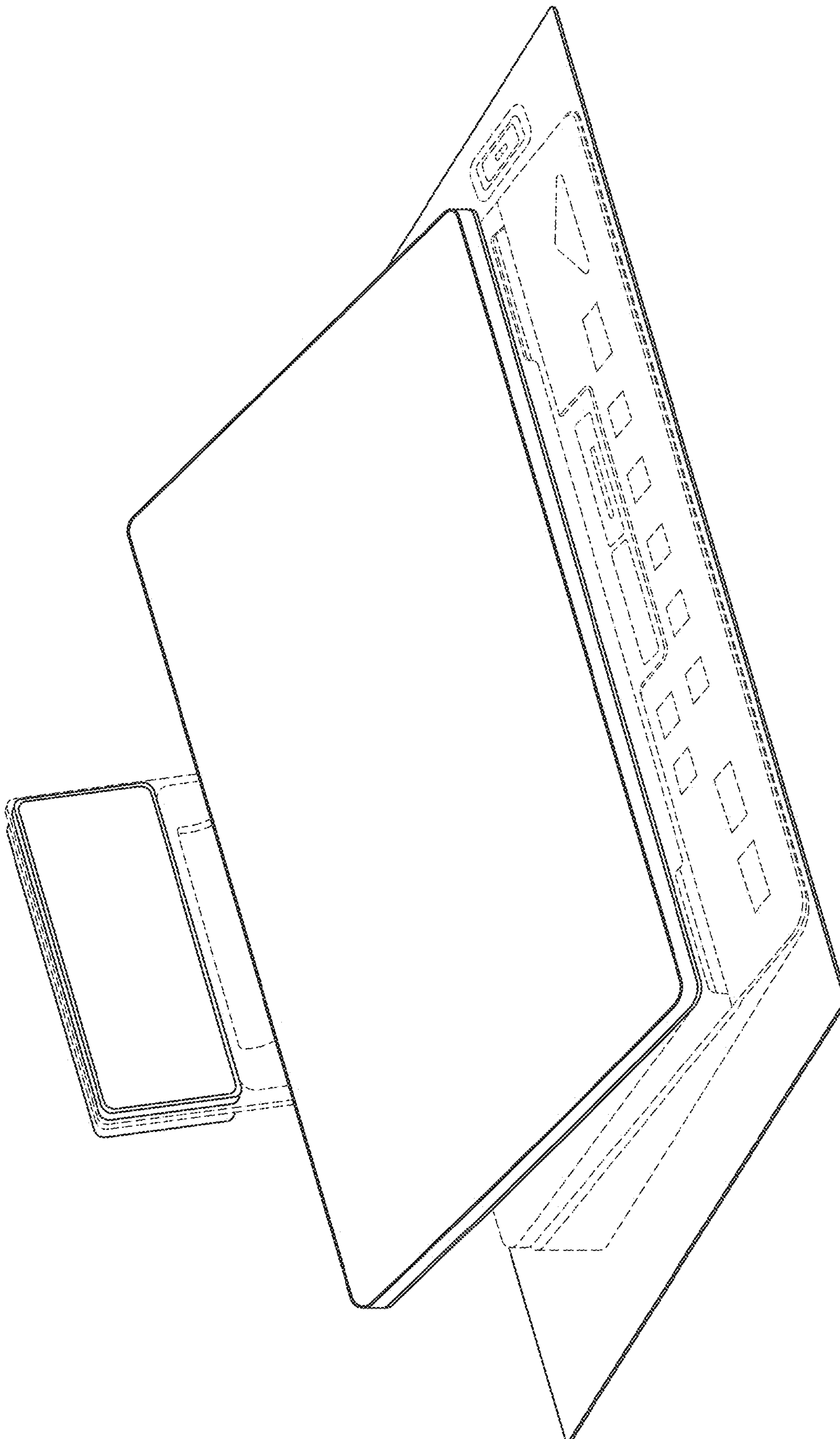


FIG. 15

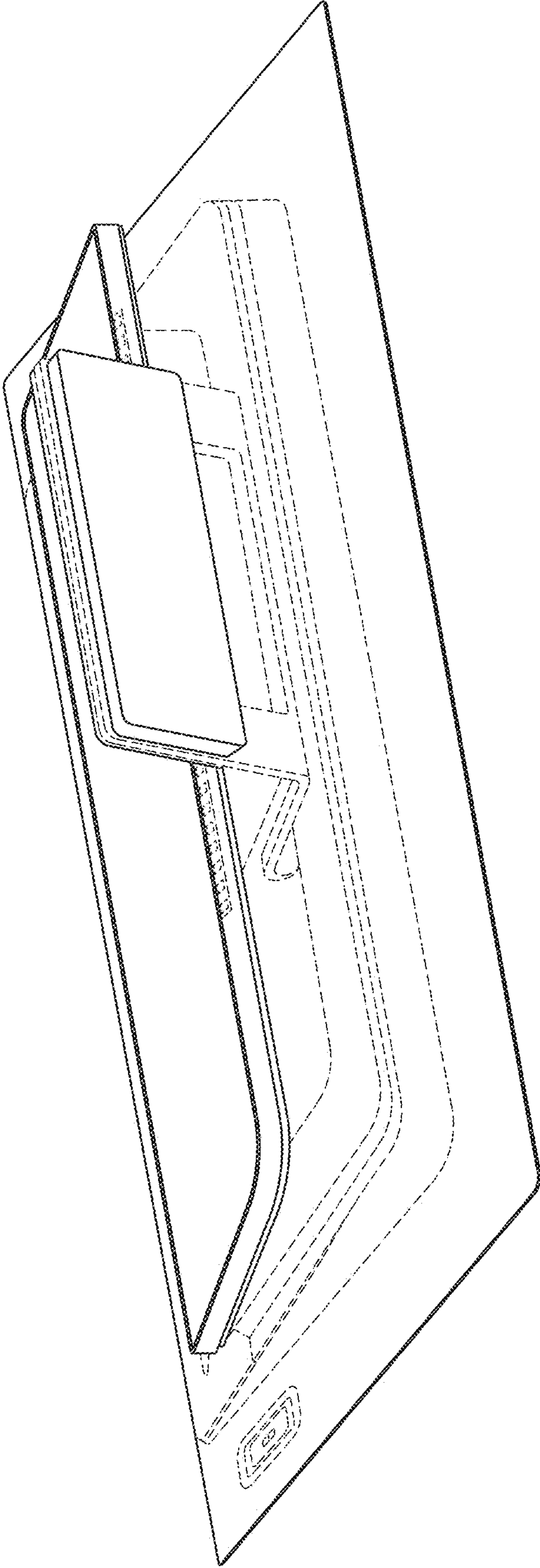


FIG. 16