



US00D973772S

(12) **United States Design Patent**
Baller

(10) **Patent No.:** **US D973,772 S**

(45) **Date of Patent:** **** Dec. 27, 2022**

(54) **TOSSING GAME**

(71) Applicant: **Todd S. Baller**, Bluffton, IN (US)

(72) Inventor: **Todd S. Baller**, Bluffton, IN (US)

(**) Term: **15 Years**

(21) Appl. No.: **29/717,343**

(22) Filed: **Dec. 17, 2019**

(51) **LOC (13) Cl.** **21-01**

(52) **U.S. Cl.**

USPC **D21/303**

(58) **Field of Classification Search**

USPC D21/303, 301, 302, 304, 300, 334, 336,
D21/341, 342, 343, 319, 789, 790, 791,
D21/792, 397, 312, 322, 699, 705;
273/398-404, 343, 317, 336, 348, 407,
273/408, 410, 108, 287, 331, 236, 118 R,
273/123 R, 127 R, 120 R, 127 B, 395,
273/396, 245; 473/180, 175, 179, 182,
473/185, 187, 569, 592; D6/392, 718;
5/110-114, 120-123, 89.1, 127-130, 625,
5/627, 655, 630-634

CPC A63B 63/00; A63B 63/003; A63B 63/08;
A63B 67/00; A63B 67/02; A63B 67/06;
A63B 67/066; A63B 2063/001; A63B
2063/002; A63B 2067/065; A63B
2067/063; A63B 2067/061; A63B
2208/12; A63B 71/00; A63B 2210/50;
A63B 2024/0046; A63B 69/3661; A63B
69/0097; A63F 7/386

See application file for complete search history.

(56) **References Cited**

U.S. PATENT DOCUMENTS

1,558,766 A * 10/1925 Frank A63B 57/357
473/184
4,513,964 A 4/1985 Gunderson

4,938,485 A 7/1990 Hockridge et al.
4,943,065 A * 7/1990 DeLapa A63B 67/06
D21/303
4,961,586 A * 10/1990 Conville A63F 9/02
273/402
5,909,877 A * 6/1999 Bour A63F 9/0204
273/402
6,244,598 B1 * 6/2001 Conville A63B 67/06
273/402
7,607,666 B1 * 10/2009 Studier A63B 63/00
116/222
D635,197 S * 3/2011 Pryor D21/303
8,127,689 B2 * 3/2012 Christian A63B 67/002
108/11
8,157,265 B2 * 4/2012 Conville A63B 67/06
273/402
8,162,318 B1 * 4/2012 Peterson A63B 67/06
273/343
8,465,022 B2 6/2013 Weiss et al.
D688,749 S 8/2013 Pavony
D706,353 S 6/2014 Montenare
D706,354 S 6/2014 Montenare
D706,355 S 6/2014 Montenare

(Continued)

Primary Examiner — Susan Moon Lee

(74) *Attorney, Agent, or Firm* — Cramer Patent & Design,
PLLC; Aaron R. Cramer

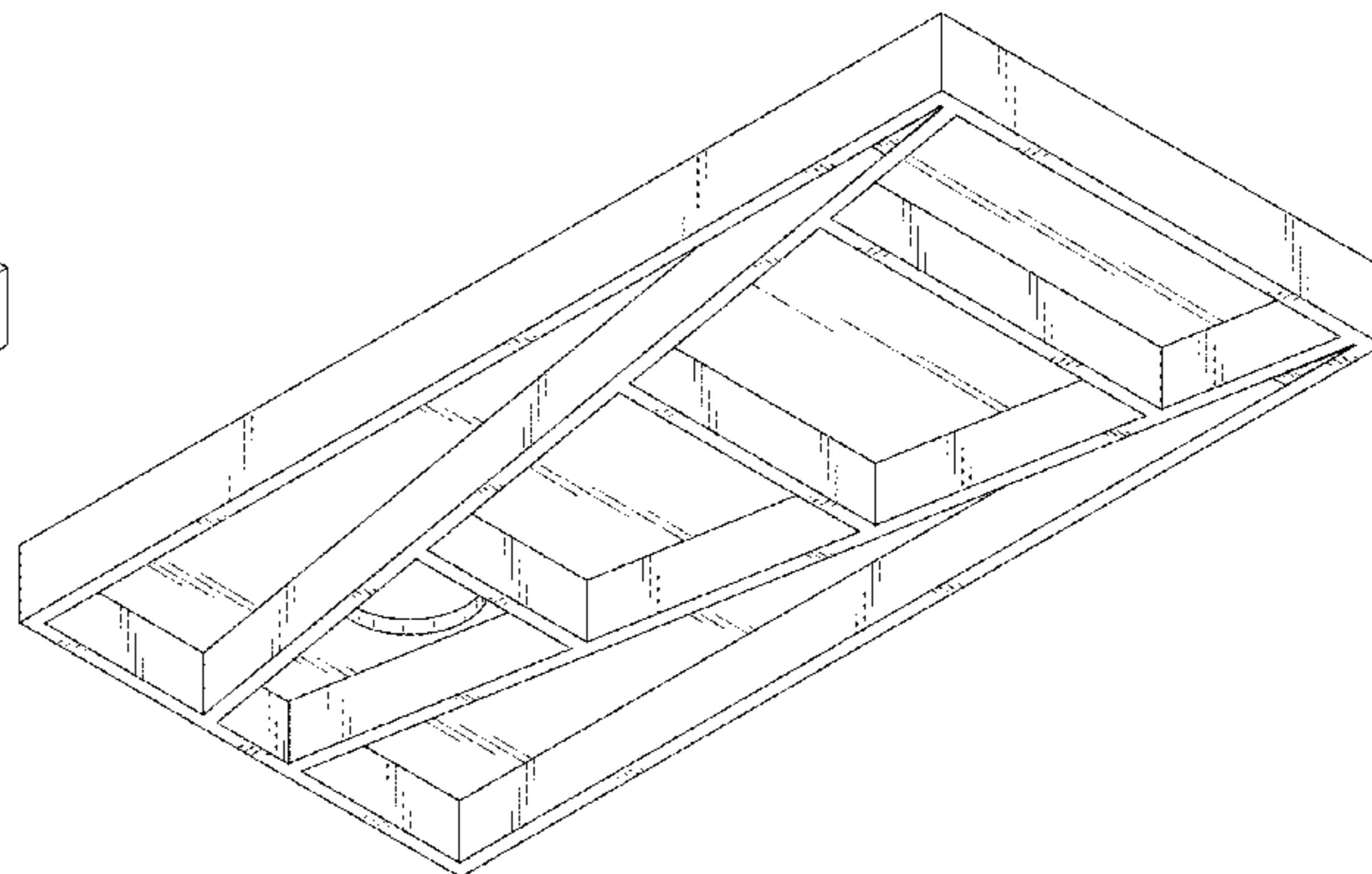
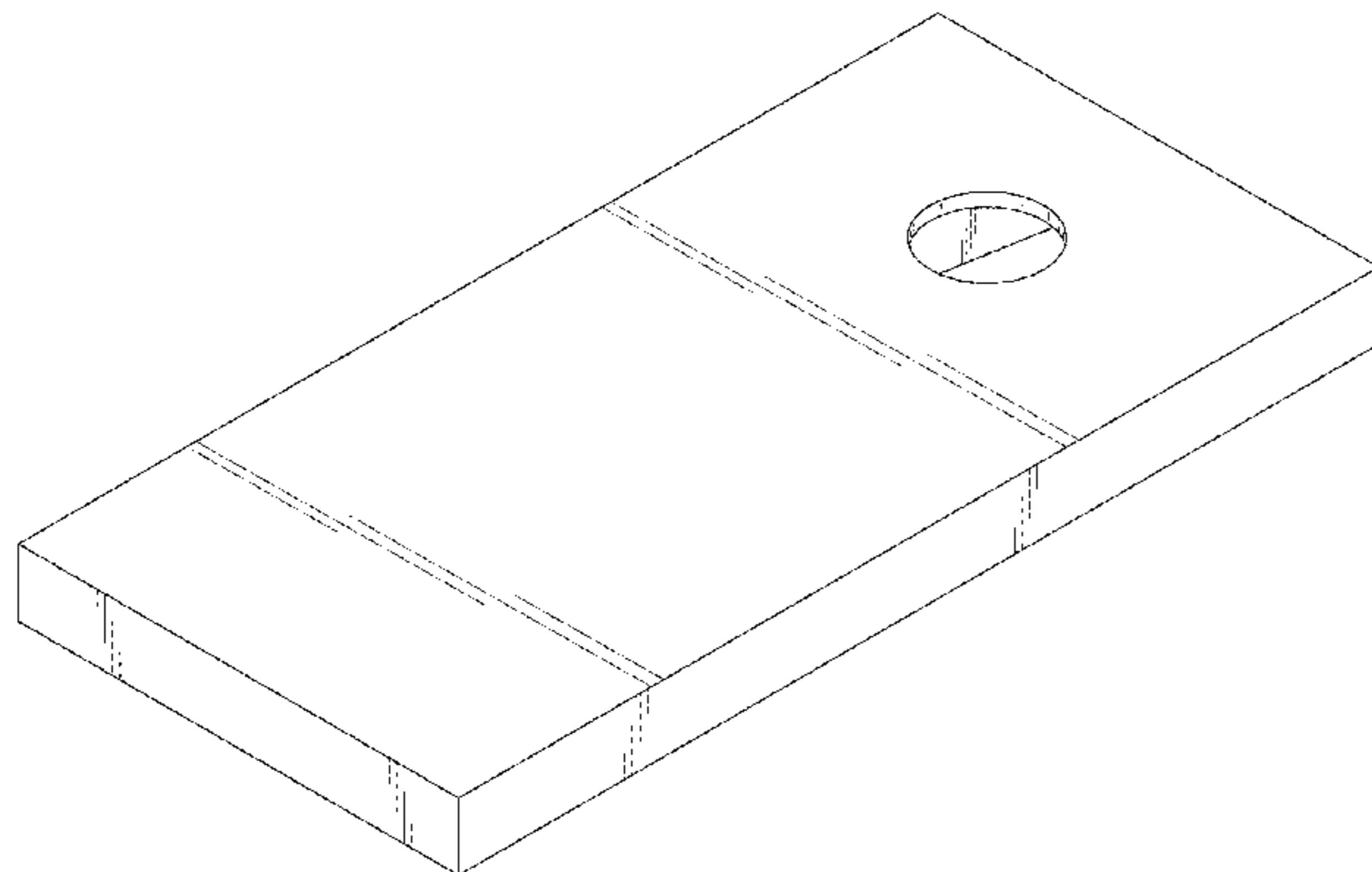
(57) **CLAIM**

The ornamental design for a tossing game, as shown and described.

DESCRIPTION

FIG. 1 is a perspective top front right view of a tossing game, showing my new design;
FIG. 2 is a perspective top rear left view thereof;
FIG. 3 is a front elevation view thereof;
FIG. 4 is a rear elevation view thereof;
FIG. 5 is a top plan view thereof;
FIG. 6 is a bottom plan view thereof; and,
FIG. 7 is a perspective bottom front left view thereof.

1 Claim, 6 Drawing Sheets



(56)

References Cited

U.S. PATENT DOCUMENTS

D709,557 S 7/2014 Thomasson
 D729,319 S * 5/2015 Meissner D21/303
 D741,951 S * 10/2015 Angel D21/303
 9,248,357 B2 2/2016 Francis
 9,381,414 B1 * 7/2016 Gatton A63B 63/08
 D781,960 S * 3/2017 Czwalga D21/303
 D803,321 S * 11/2017 Hodur D21/303
 D807,963 S 1/2018 Zandonella
 D827,031 S * 8/2018 Valladares D21/303
 D868,917 S * 12/2019 Engler D21/303
 10,543,412 B2 * 1/2020 McAuley A63B 63/08
 D876,549 S * 2/2020 Wolters D21/302
 D879,626 S * 3/2020 Schrock D10/46.1
 D895,732 S * 9/2020 Saleeby D21/303
 D898,122 S * 10/2020 Rivard D21/364
 10,835,794 B1 * 11/2020 McMahon G01B 5/14
 D910,757 S * 2/2021 Green D21/303
 11,090,540 B2 * 8/2021 Voss A63B 67/06
 11,179,625 B2 * 11/2021 Bauer A63F 7/0668
 D954,827 S * 6/2022 Good D21/303
 D955,482 S * 6/2022 Turner D21/303
 2007/0080499 A1 * 4/2007 Greiwe A63B 67/06
 273/400
 2010/0164175 A1 7/2010 Buchanan

2010/0317470 A1 * 12/2010 Cea A63B 67/06
 473/570
 2011/0215528 A1 * 9/2011 Conville A63B 67/06
 273/402
 2012/0038109 A1 2/2012 Battista
 2012/0235356 A1 * 9/2012 Weiss A63F 1/04
 273/398
 2013/0082442 A1 * 4/2013 Hanel A63B 67/06
 273/398
 2013/0234394 A1 * 9/2013 Voden A63B 67/06
 273/402
 2014/0151963 A1 * 6/2014 Bennett A63B 71/0036
 29/890.035
 2016/0008689 A1 * 1/2016 Janeri A47C 4/08
 273/402
 2016/0023095 A1 * 1/2016 Nally A63F 9/0208
 273/343
 2017/0014704 A1 * 1/2017 Bell A63F 9/0278
 2017/0138586 A1 * 5/2017 Finch F21V 23/04
 2017/0340937 A1 * 11/2017 Poetter A63B 67/06
 2018/0036630 A1 * 2/2018 Wilder H04R 7/045
 2018/0056155 A1 * 3/2018 McAuley A63B 69/3623
 2021/0038958 A1 * 2/2021 Kowtko A63B 63/08
 2021/0060399 A1 * 3/2021 Dingel A63B 67/06
 2021/0308550 A1 * 10/2021 Li A63B 71/0622

* cited by examiner

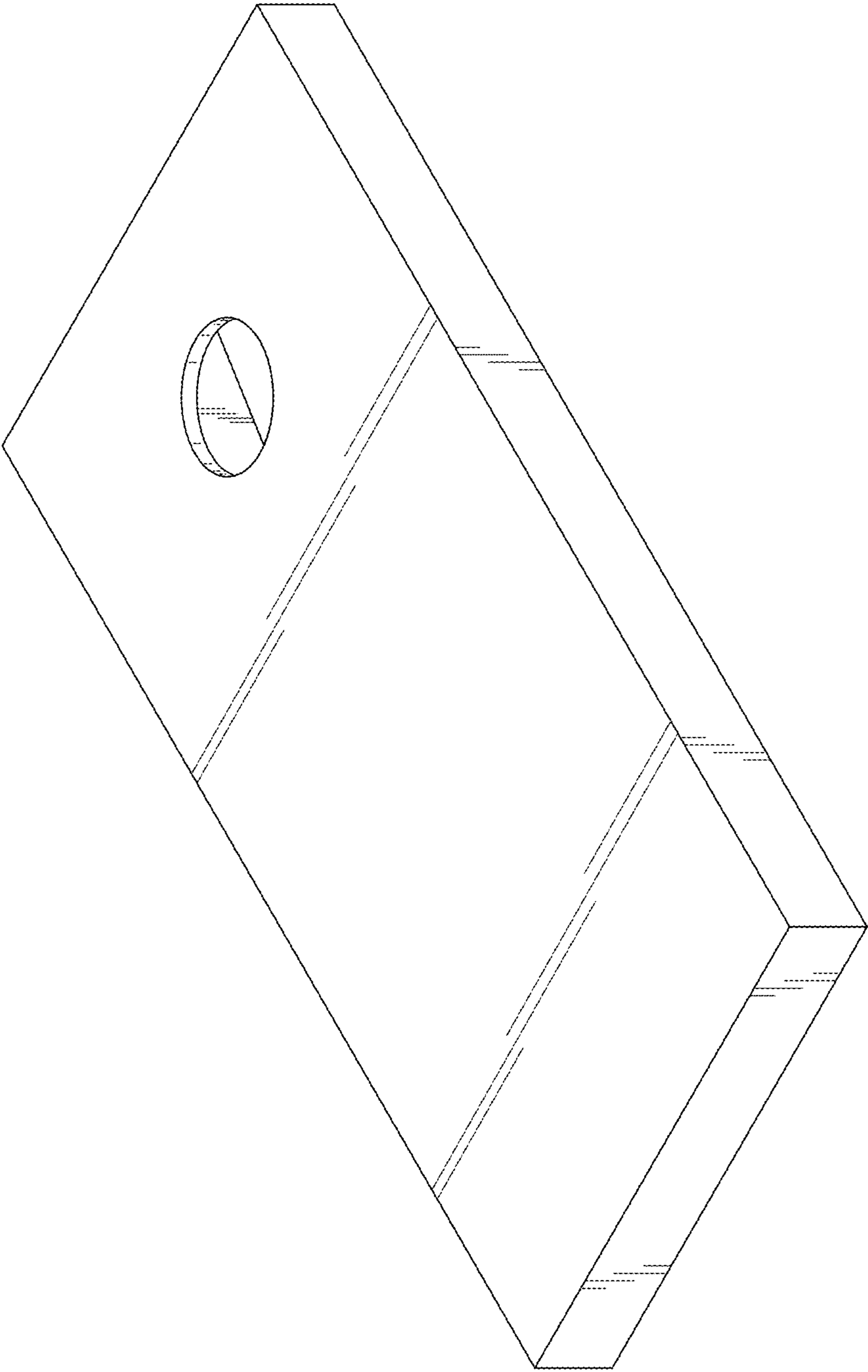


FIG. 1

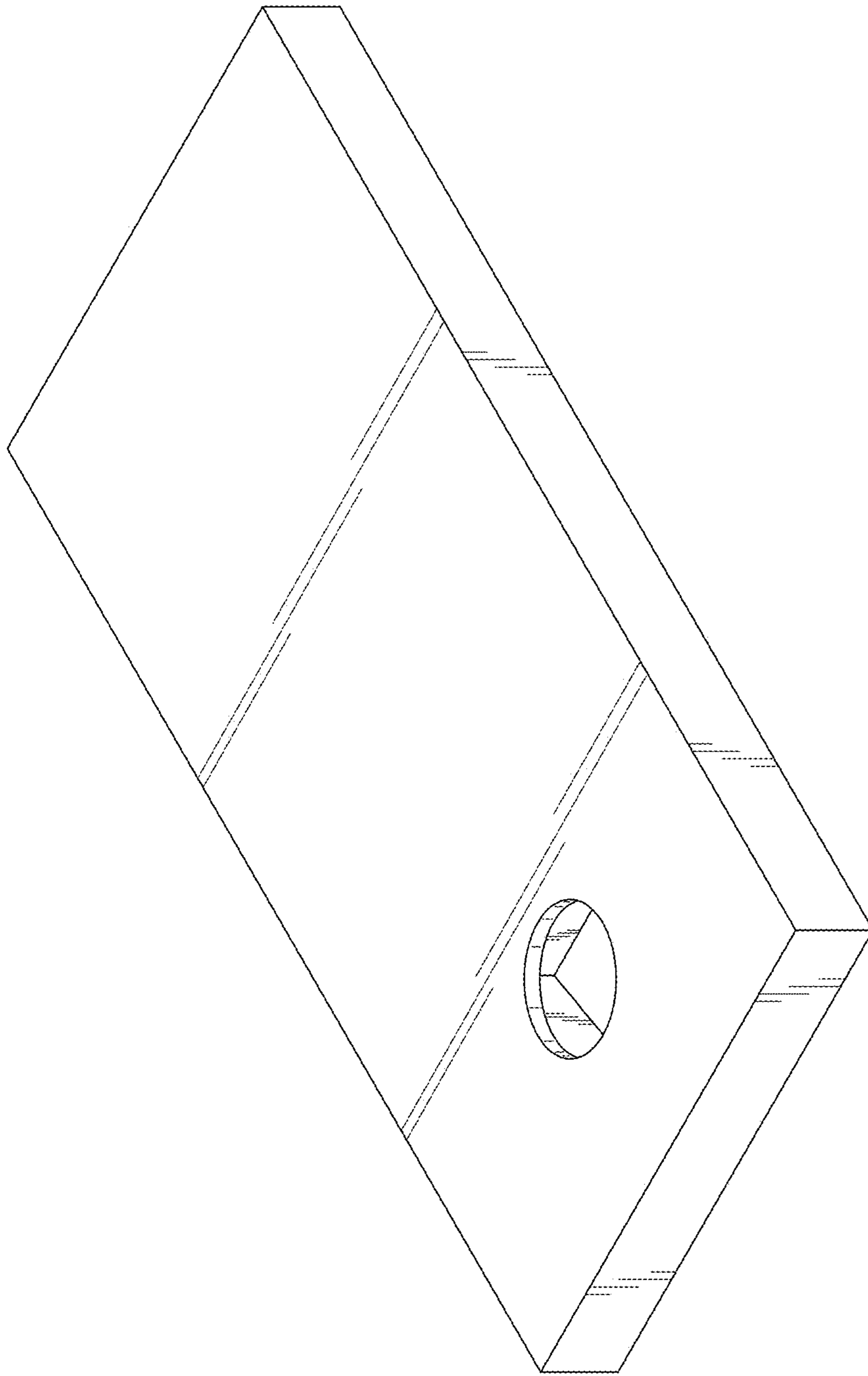


FIG. 2

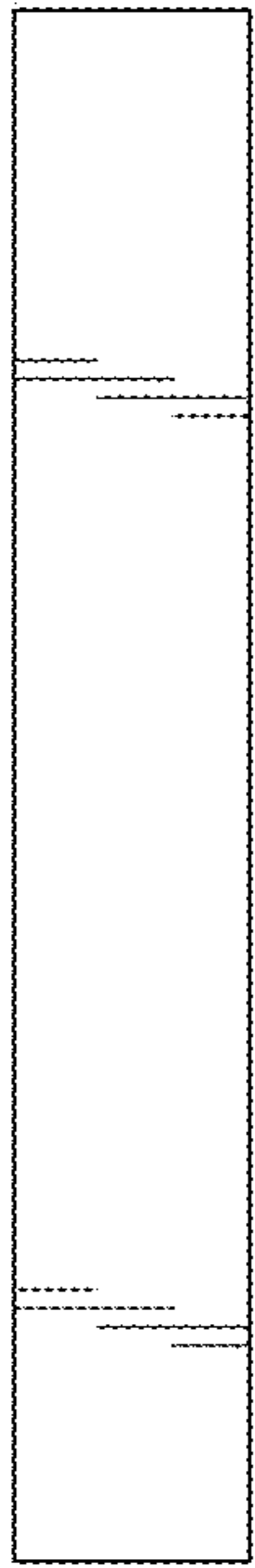


FIG. 3

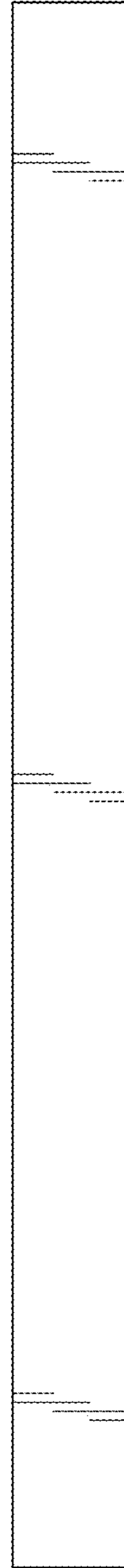


FIG. 4

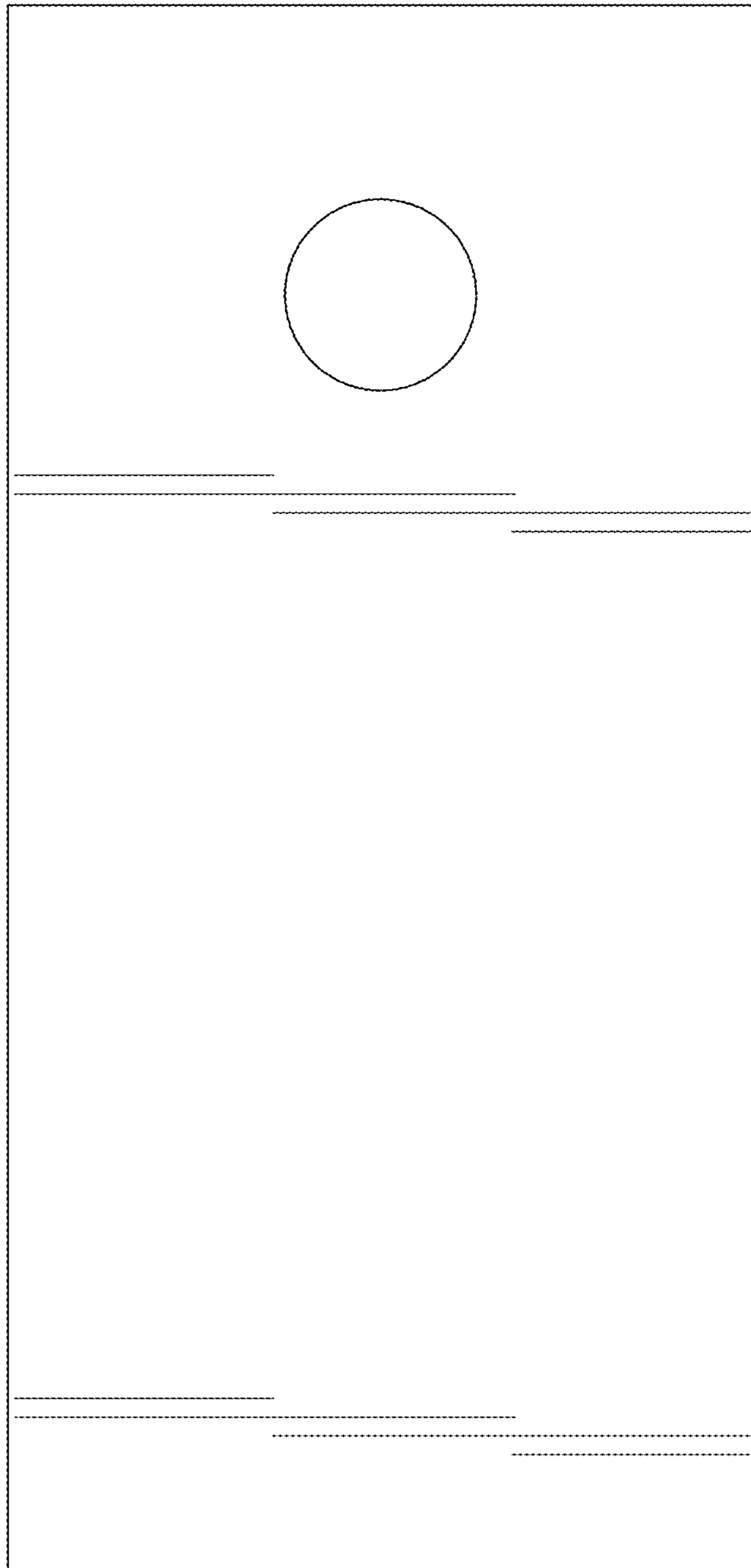


FIG. 5

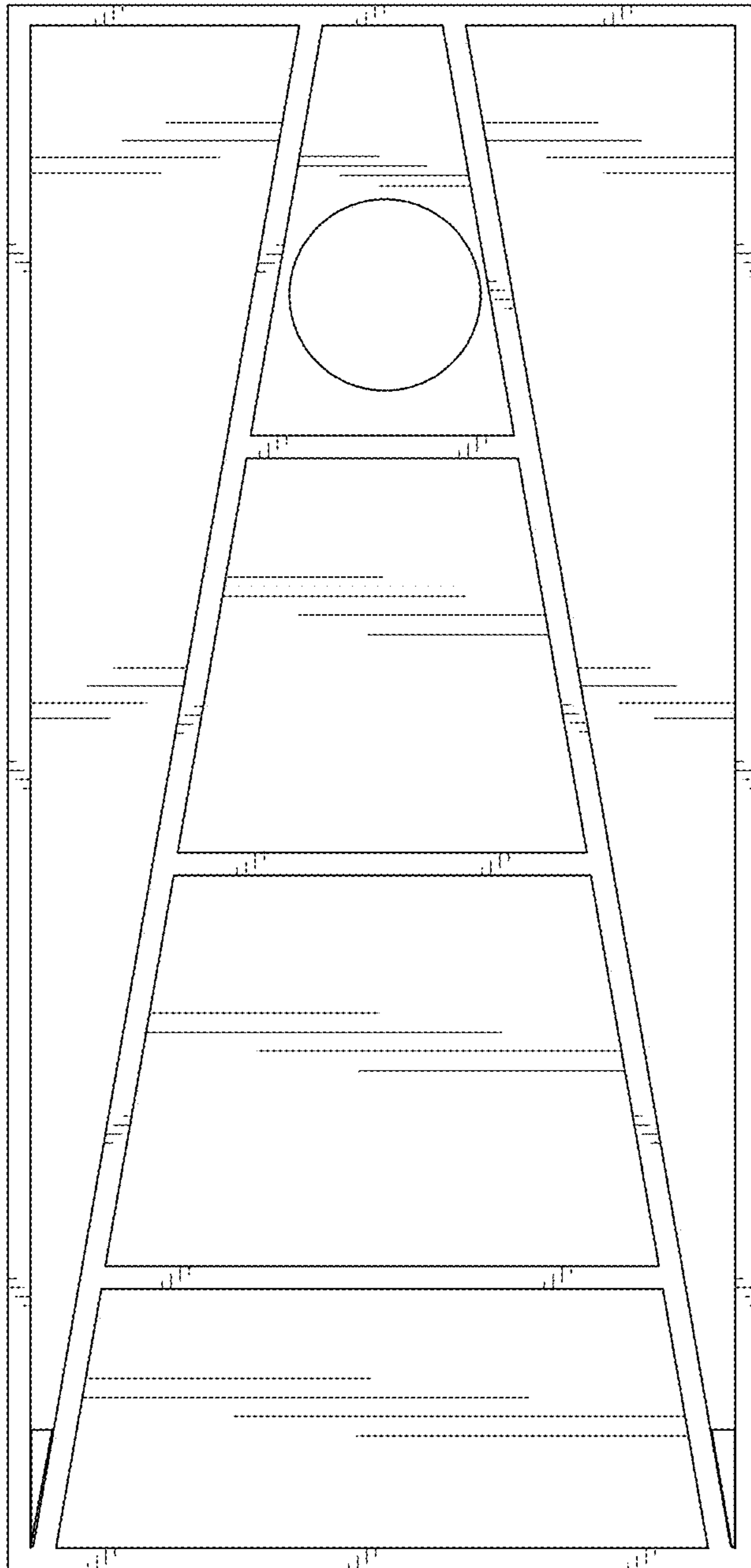


FIG. 6

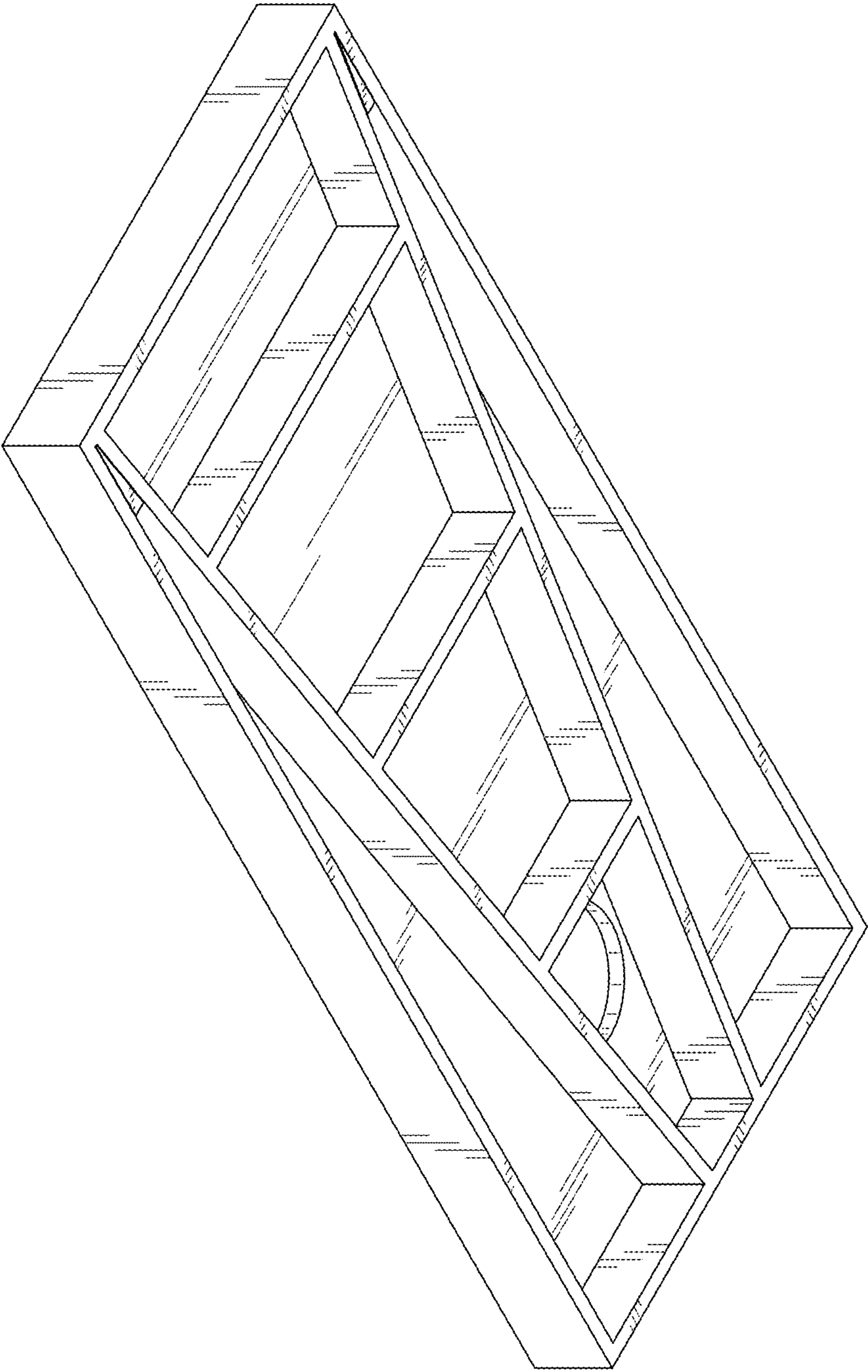


FIG. 7