

US00D973771S

(12) **United States Design Patent**
Hunt

(10) **Patent No.:** **US D973,771 S**

(45) **Date of Patent:** **** Dec. 27, 2022**

(54) **ORGANIZER**

(71) Applicant: **Spectrum Diversified Designs, LLC**,
Streetsboro, OH (US)

(72) Inventor: **Bridget Hunt**, Cleveland, OH (US)

(73) Assignee: **SPECTRUM DIVERSIFIED
DESIGNS, LLC**, Streetsboro, OH (US)

(**) Term: **15 Years**

(21) Appl. No.: **29/798,449**

(22) Filed: **Jul. 8, 2021**

(51) **LOC (13) Cl.** **19-02**

(52) **U.S. Cl.**
USPC **D19/90**

(58) **Field of Classification Search**
USPC D19/92, 75-91, 99, 135; D3/206, 304,
D3/306, 310, 315; D6/675.5, 683, 683.1;
D7/631, 637-641; D9/427, 432, 611;
D14/253
CPC .. B43M 99/00; B43M 99/001; B43M 99/003;
B43M 99/006; B43M 99/007; B43M
99/008; B43M 99/009; B42D 3/12; B42D
3/16; B42D 3/18; B43K 23/001; B43K
23/002; A47B 55/00; A47B 63/00
See application file for complete search history.

(56) **References Cited**

U.S. PATENT DOCUMENTS

| | | | | | | |
|-----------|---|---|--------|-----------|-------|------------|
| 1,895,725 | A | * | 1/1933 | Nuckols | | A47F 5/112 |
| | | | | | | 211/72 |
| D277,819 | S | * | 3/1985 | Crosslen | | D6/555 |
| D294,665 | S | * | 3/1988 | Solomon | | D6/407 |
| D317,178 | S | * | 5/1991 | Kheng | | D19/78 |
| D324,144 | S | * | 2/1992 | Watrous | | D10/2 |
| D329,154 | S | * | 9/1992 | Waterston | | D6/683.1 |
| D347,921 | S | * | 6/1994 | Yoshikawa | | D34/1 |
| D358,049 | S | * | 5/1995 | Wilson | | D6/567 |
| D473,592 | S | * | 4/2003 | Hardy | | D19/78 |

| | | | | | | |
|----------|---|---|---------|-----------|-------|----------|
| D479,660 | S | * | 9/2003 | Vinson | | D6/300 |
| D481,761 | S | * | 11/2003 | Walsh | | D19/75 |
| D484,666 | S | * | 12/2003 | Caya | | D34/27 |
| D570,634 | S | * | 6/2008 | Goodman | | D6/566 |
| D585,494 | S | * | 1/2009 | Yoshikawa | | D19/78 |
| D674,215 | S | * | 1/2013 | McDonough | | D6/683.1 |
| D689,943 | S | * | 9/2013 | Hu | | D19/90 |
| D689,944 | S | * | 9/2013 | Hu | | D19/90 |
| D689,945 | S | * | 9/2013 | Hu | | D19/90 |
| D784,698 | S | * | 4/2017 | Goodman | | D3/306 |
| D805,583 | S | * | 12/2017 | Melnick | | D19/90 |

OTHER PUBLICATIONS

Collapsible File Holder posted by Marte Vanci posted date Sep. 10, 2020, © Amazon, [online], [site visited Jul. 20, 2022]. Available from Internet, https://www.amazon.com/Marte-Vanci-Collapsible-Compartment-Adjustable/dp/B08HS3VNNN?ref_=ast_sto_dp&th=1 (Year: 2020).*

* cited by examiner

Primary Examiner — Garth Rademaker

Assistant Examiner — Laura H Yu

(74) *Attorney, Agent, or Firm* — Tucker Ellis LLP

(57) **CLAIM**

The ornamental design for an organizer, as shown and described.

DESCRIPTION

FIG. 1 is a front left perspective view of an organizer showing my new design.

FIG. 2 is a front right perspective view thereof.

FIG. 3 is a front view thereof.

FIG. 4 is a rear view thereof.

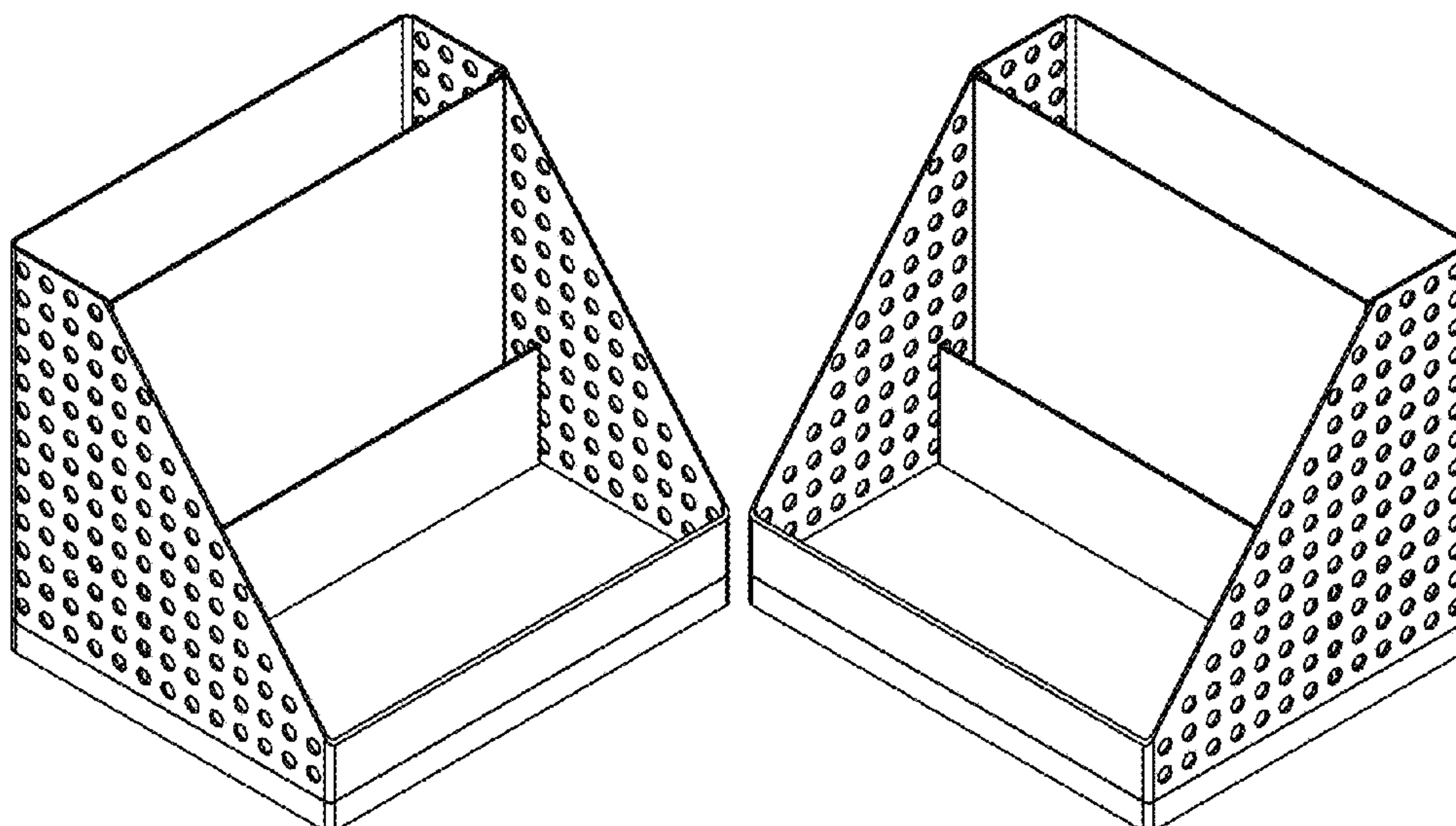
FIG. 5 is a left side view thereof.

FIG. 6 is a right side view thereof.

FIG. 7 is a top view thereof; and,

FIG. 8 is a bottom view thereof.

1 Claim, 8 Drawing Sheets



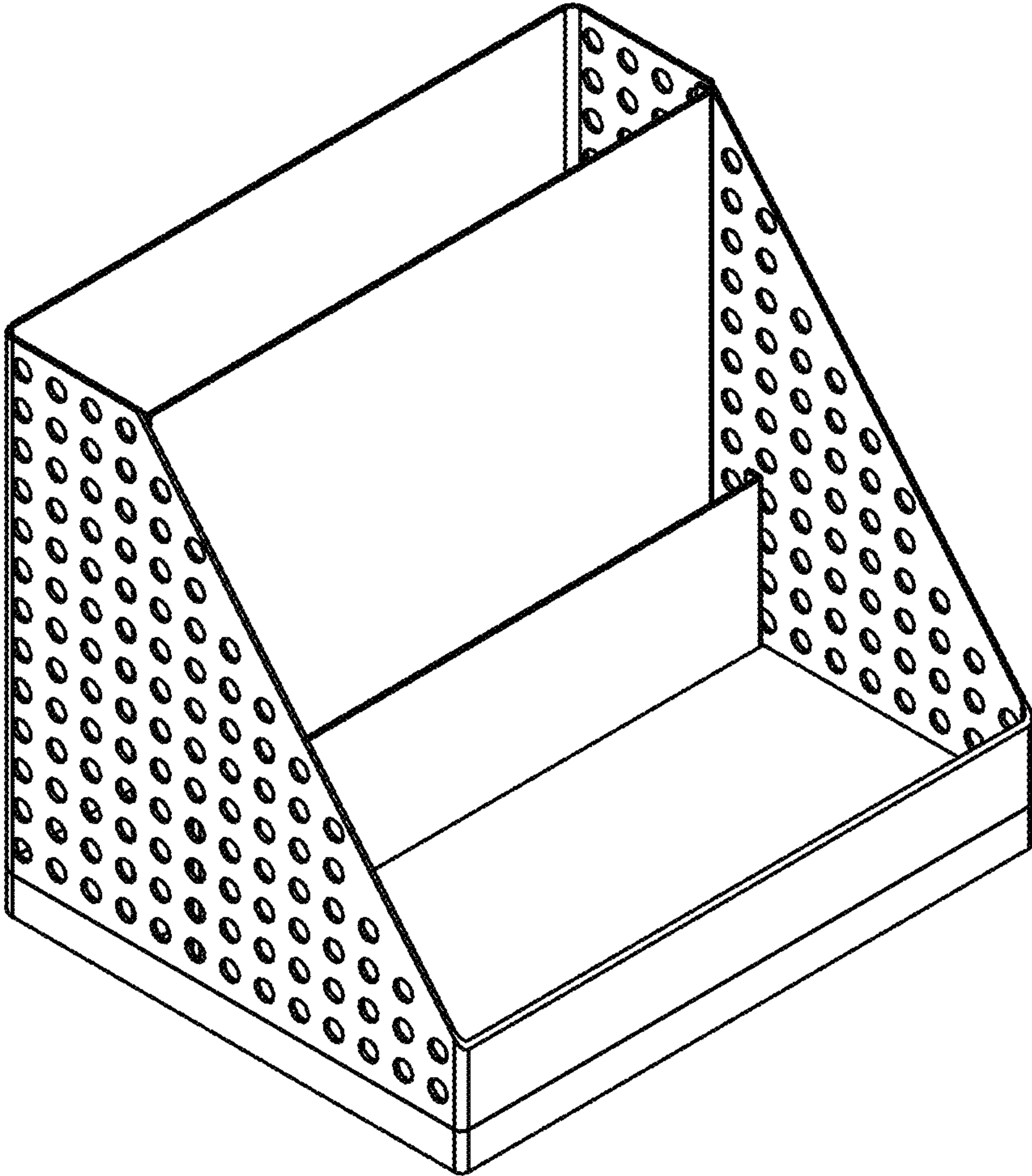


FIG. 1

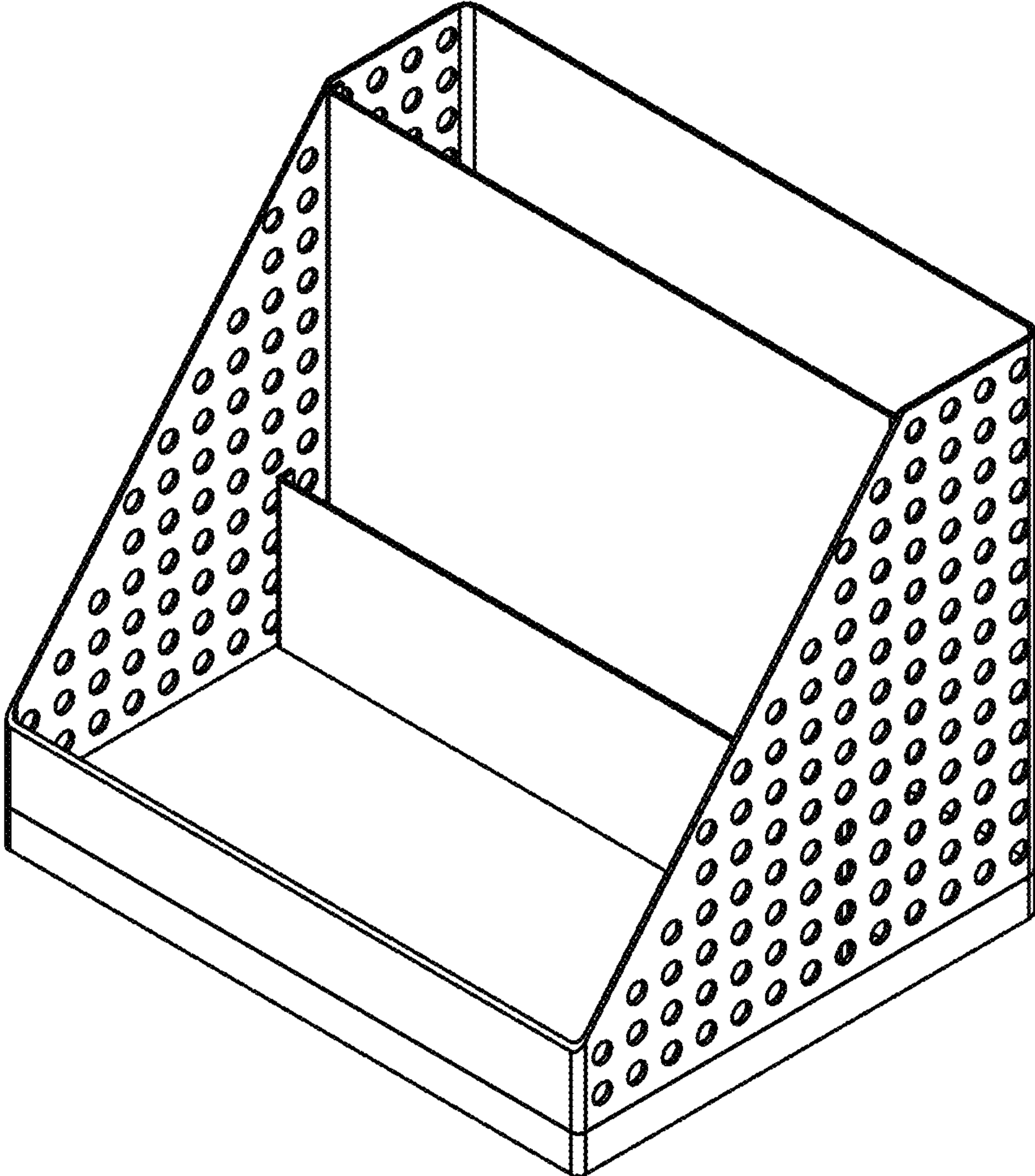


FIG. 2

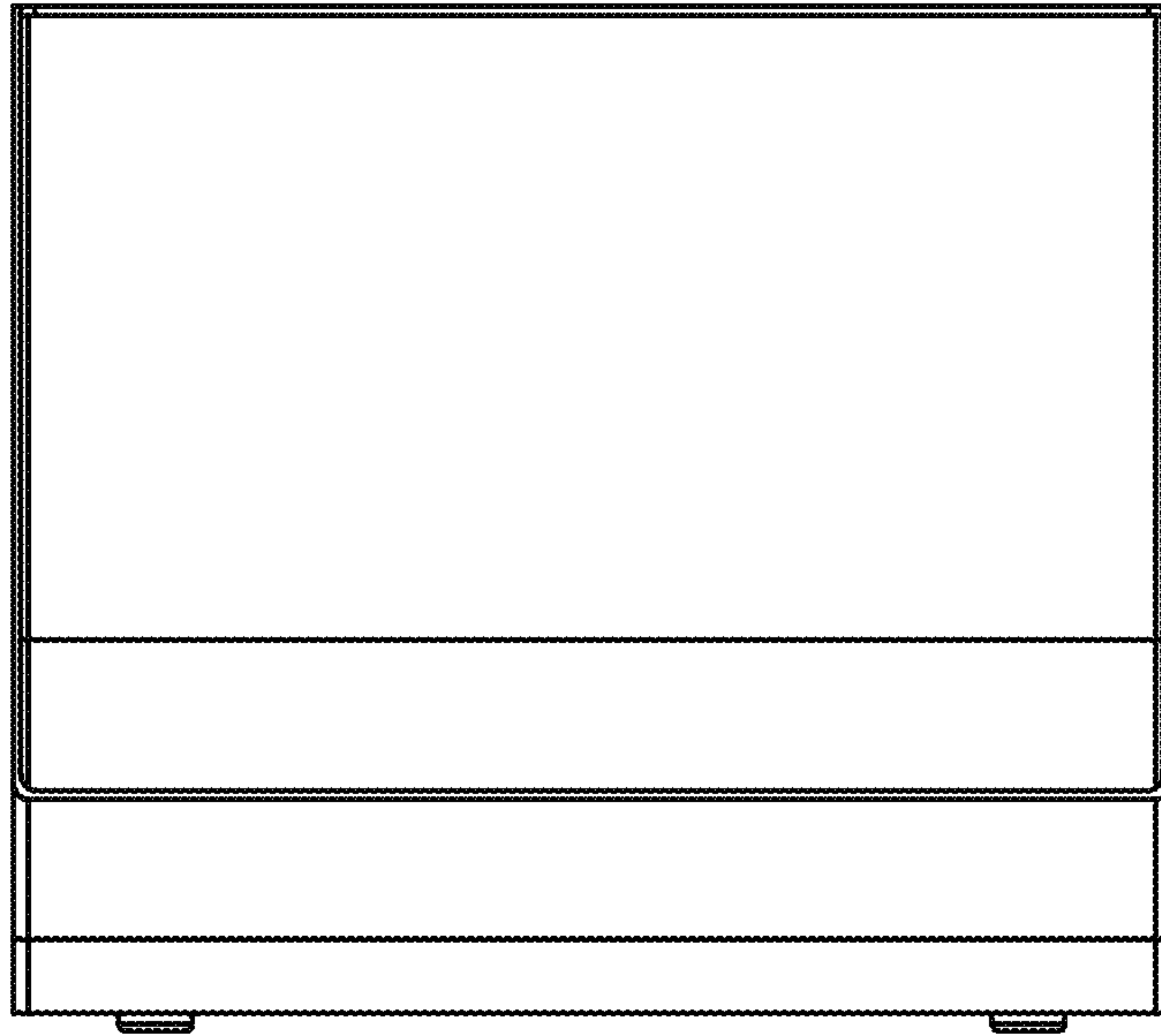


FIG. 3

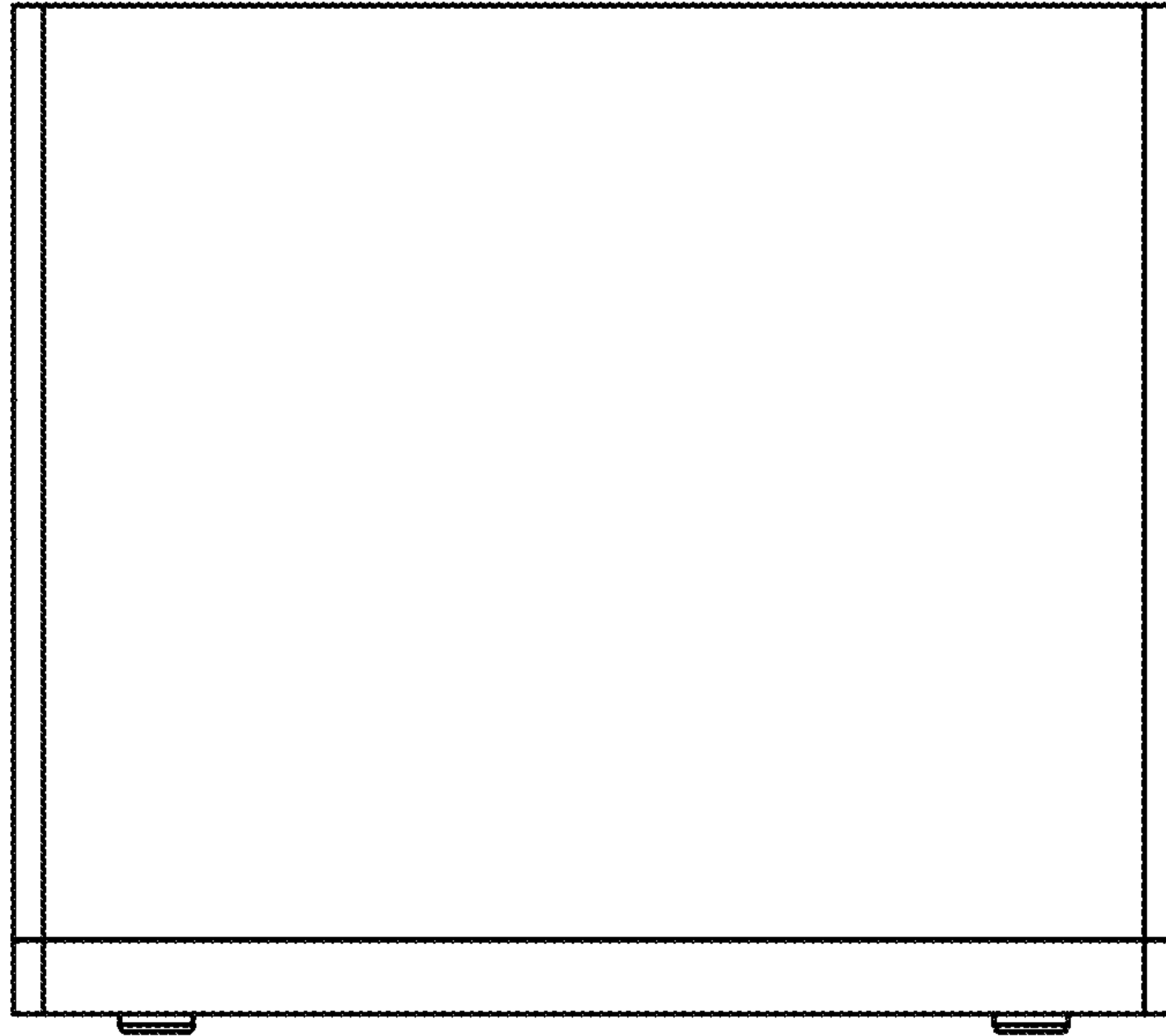


FIG. 4

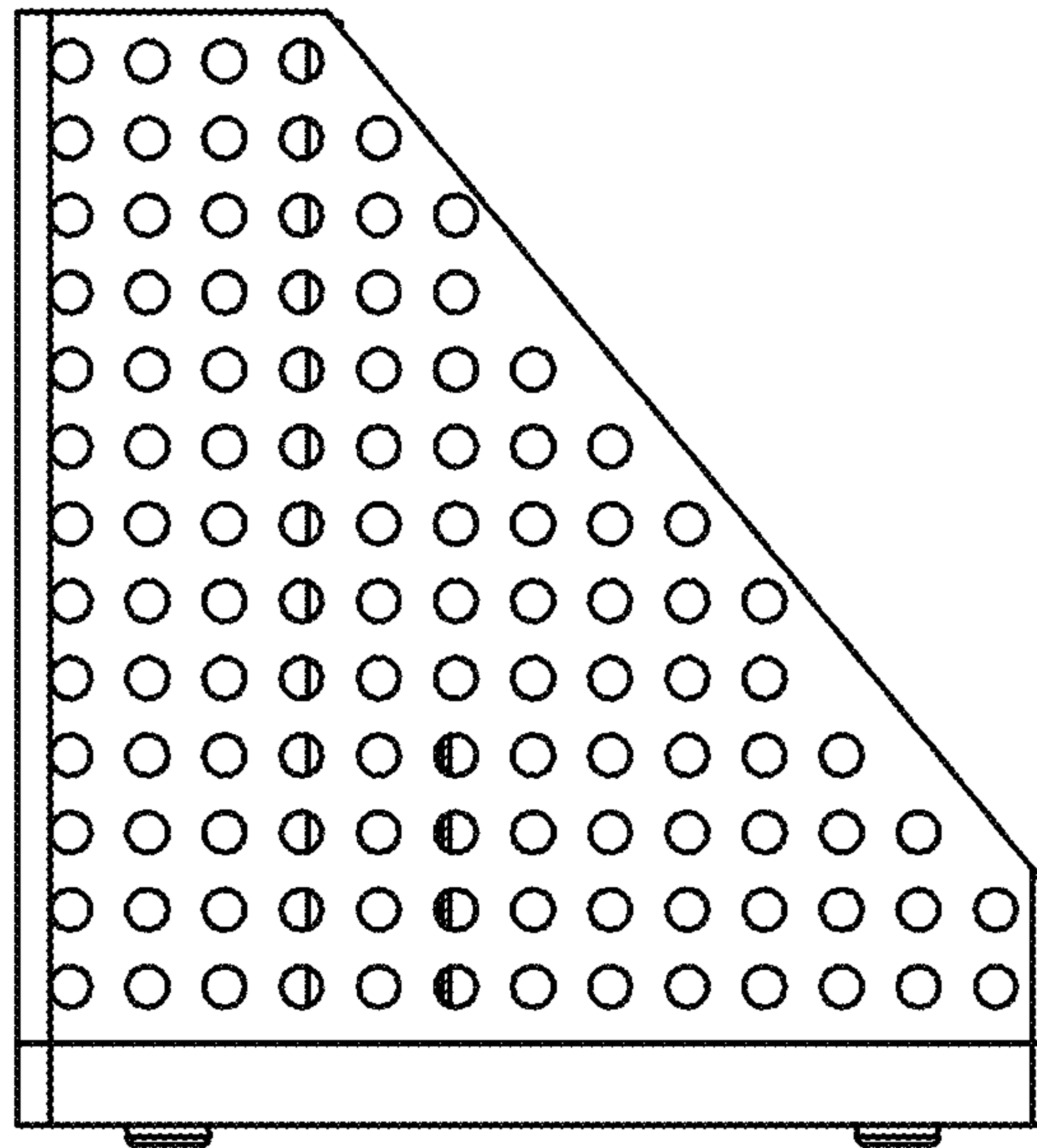


FIG. 5

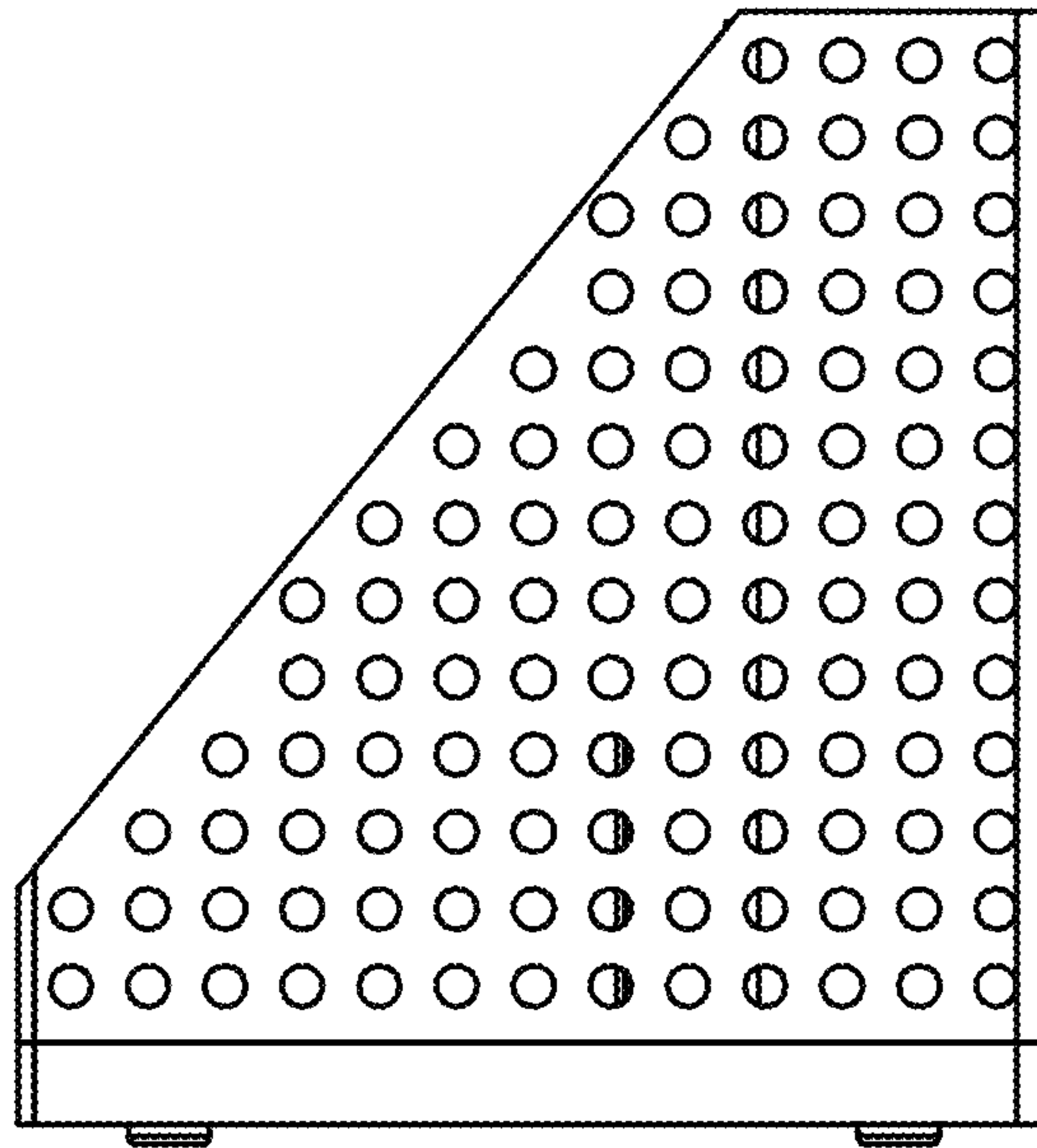


FIG. 6

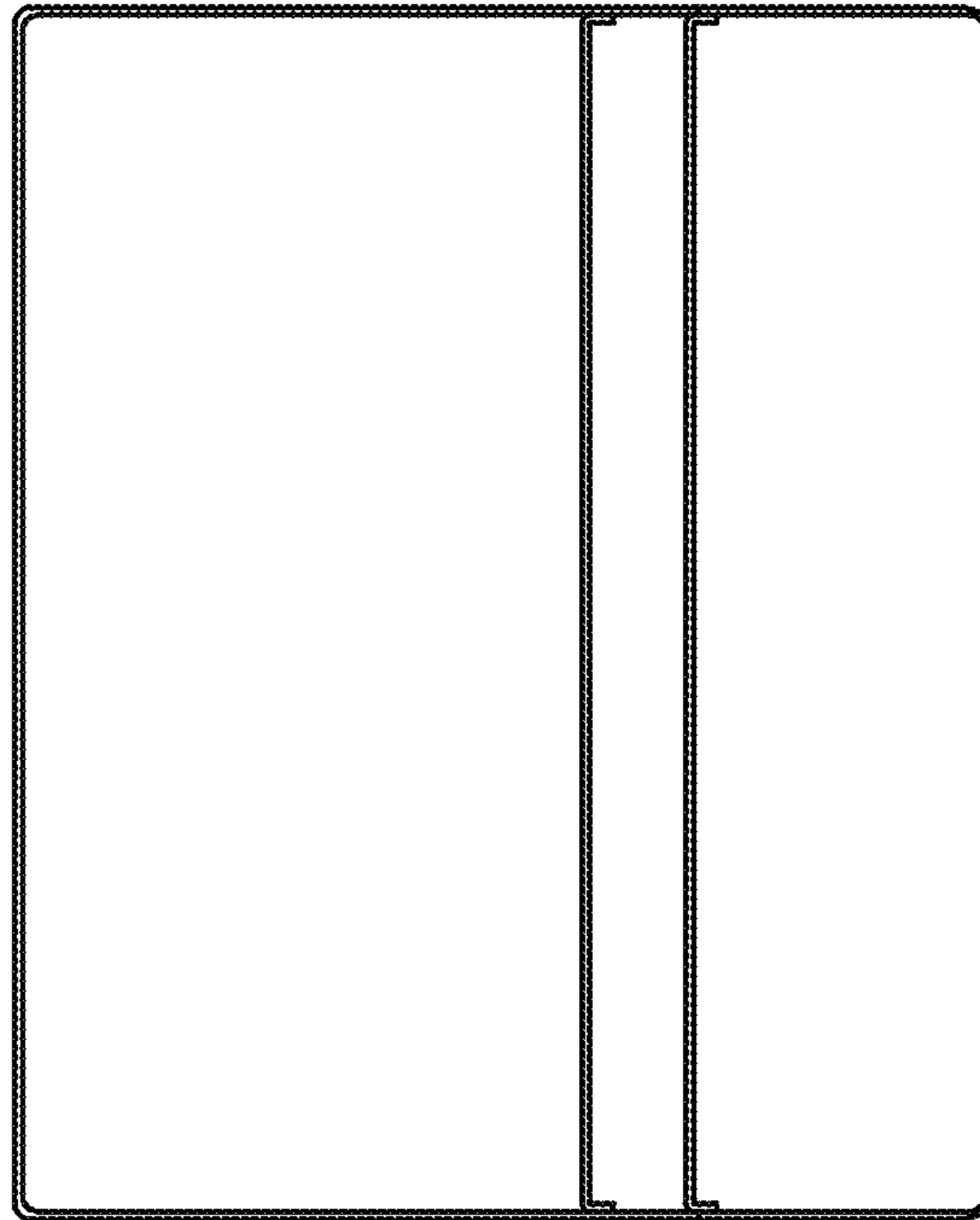


FIG. 7

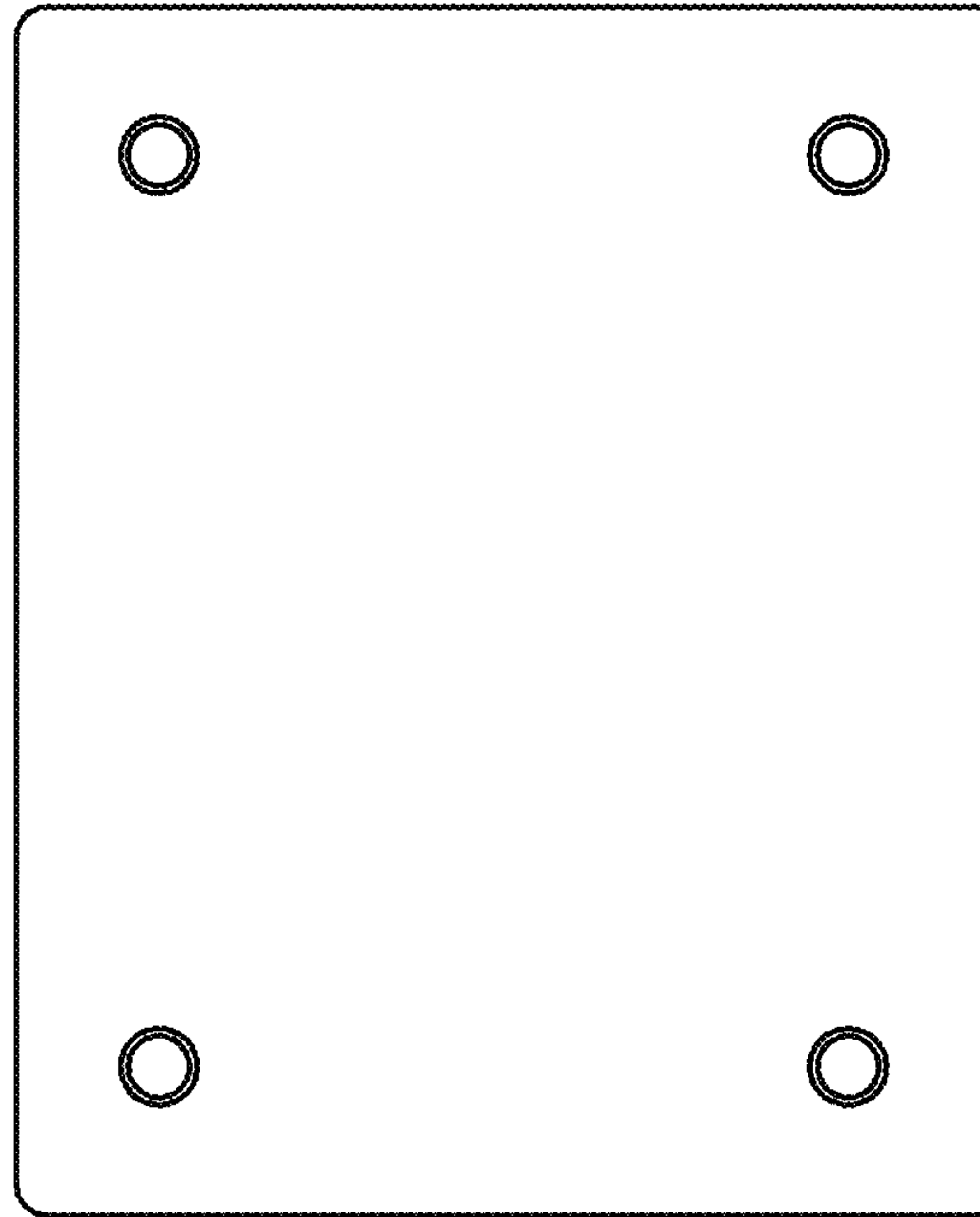


FIG. 8