



US00D973767S

(12) **United States Design Patent**  
**He et al.**

(10) **Patent No.:** **US D973,767 S**

(45) **Date of Patent:** **\*\* Dec. 27, 2022**

(54) **PRINTER**

(71) Applicant: **Zhuhai Pantum Electronics Co., Ltd.**,  
Zhuhai (CN)

(72) Inventors: **Xinchao He**, Zhuhai (CN); **Hua Tang**,  
Zhuhai (CN)

(73) Assignee: **ZHUHAI PANTUM ELECTRONICS**  
**CO., LTD.**, Zhuhai (CN)

(\*\*) Term: **15 Years**

(21) Appl. No.: **29/749,103**

(22) Filed: **Sep. 2, 2020**

(30) **Foreign Application Priority Data**

Mar. 6, 2020 (CN) ..... 202030072023.X

(51) **LOC (13) Cl.** ..... **14-02**

(52) **U.S. Cl.**  
USPC ..... **D18/50**

(58) **Field of Classification Search**  
USPC ..... D14/300, 301, 302, 303, 307, 308, 314,  
D14/321, 365, 445, 446; D18/4.1, 4.4,  
(Continued)

(56) **References Cited**

**U.S. PATENT DOCUMENTS**

D378,218 S \* 2/1997 Hong ..... D18/55  
D391,603 S \* 3/1998 Ikenaga ..... D18/50  
(Continued)

**FOREIGN PATENT DOCUMENTS**

JP D1589392 \* 2/2018

**OTHER PUBLICATIONS**

Pantum P3302DW Compact Black & White Laser Printer, p. 6,  
2019—Amazon.com\_29749103—<https://www.amazon.com/Pantum-P3302DW-Monochrome-Wireless-Two-Sided/dp/B07WZHS748> (Year:  
2019).\*

*Primary Examiner* — Jennifer L Rempfer

*Assistant Examiner* — Danielle Nichole Bowly

(74) *Attorney, Agent, or Firm* — Anova Law Group,  
PLLC

(57) **CLAIM**

The ornamental design for a printer, as shown and described.

**DESCRIPTION**

FIG. 1 is a front, top, and right-side perspective view of a first embodiment of a printer in accordance with the present disclosure.

FIG. 2 is a front view of the first embodiment of the printer shown in FIG. 1.

FIG. 3 is a left-side view of the first embodiment of the printer shown in FIG. 1.

FIG. 4 is a right-side view of the first embodiment of the printer shown in FIG. 1.

FIG. 5 is a top view of the first embodiment of the printer shown in FIG. 1.

FIG. 6 is a rear view of the first embodiment of the printer shown in FIG. 1.

FIG. 7 is a front, top, and right-side perspective view of a second embodiment of a printer in accordance with the present disclosure.

FIG. 8 is a front view of the second embodiment of the printer shown in FIG. 7.

FIG. 9 is a left-side view of the second embodiment of the printer shown in FIG. 7.

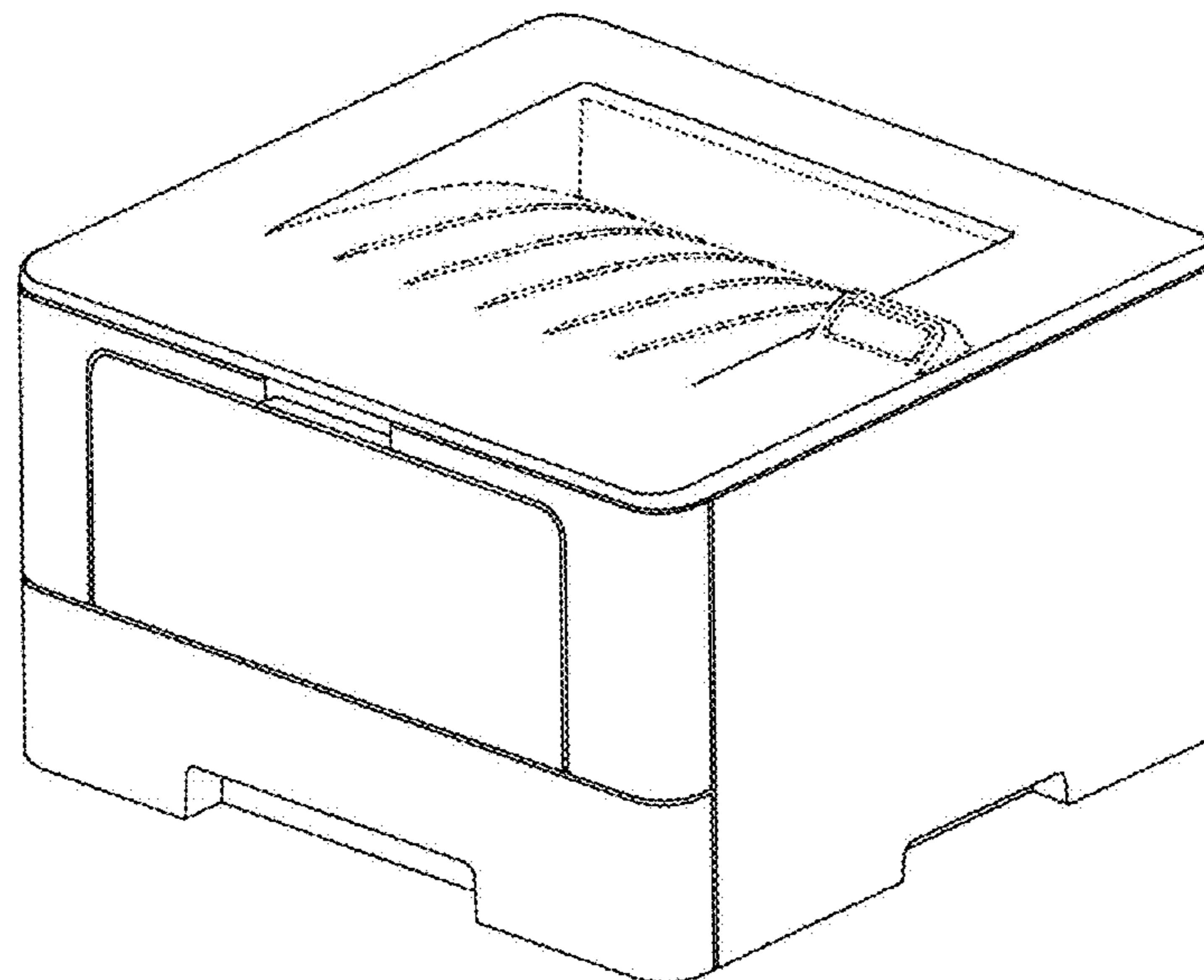
FIG. 10 is a right-side view of the second embodiment of the printer shown in FIG. 7.

FIG. 11 is a top view of the second embodiment of the printer shown in FIG. 7; and,

FIG. 12 is a rear view of the second embodiment of the printer shown in FIG. 7.

The broken lines in the figures illustrate portions of the printer that form no part of the claimed design.

**1 Claim, 9 Drawing Sheets**



(58) **Field of Classification Search**

USPC ..... D18/4.6, 34.1, 6, 7, 14, 19, 34.3, 34.7,  
D18/34.8, 34.9, 36, 37, 38, 39, 46, 47,  
D18/48, 49, 50, 53, 54, 55, 56  
CPC .... H04N 1/00278; B26D 1/045; B26D 1/065;  
B41J 15/044; B41J 2/1752; B41J 29/02;  
G06F 3/02

See application file for complete search history.

(56) **References Cited**

U.S. PATENT DOCUMENTS

D415,192	S	*	10/1999	Laidlaw	.....	D18/49
D534,579	S	*	1/2007	Yamaguchi	.....	D18/55
D549,771	S	*	8/2007	Egami	.....	D18/50
D552,170	S	*	10/2007	Kim	.....	D18/55
D554,698	S	*	11/2007	Miller	.....	D18/55
D601,186	S	*	9/2009	Kim	.....	D18/55
D607,928	S	*	1/2010	Kim	.....	D18/55
D643,058	S	*	8/2011	Seki	.....	D18/55
D653,703	S	*	2/2012	Seki	.....	D18/55
D723,615	S	*	3/2015	Sato	.....	D18/50
D724,141	S	*	3/2015	Kim	.....	D18/55
D750,164	S	*	2/2016	So	.....	D18/50
D772,977	S	*	11/2016	Kim	.....	D18/55
D795,954	S	*	8/2017	Hirota	.....	D18/55
D800,125	S	*	10/2017	Yin	.....	D14/421
D810,194	S	*	2/2018	Kim	.....	D18/50
D850,530	S	*	6/2019	Wei	.....	D18/55

\* cited by examiner

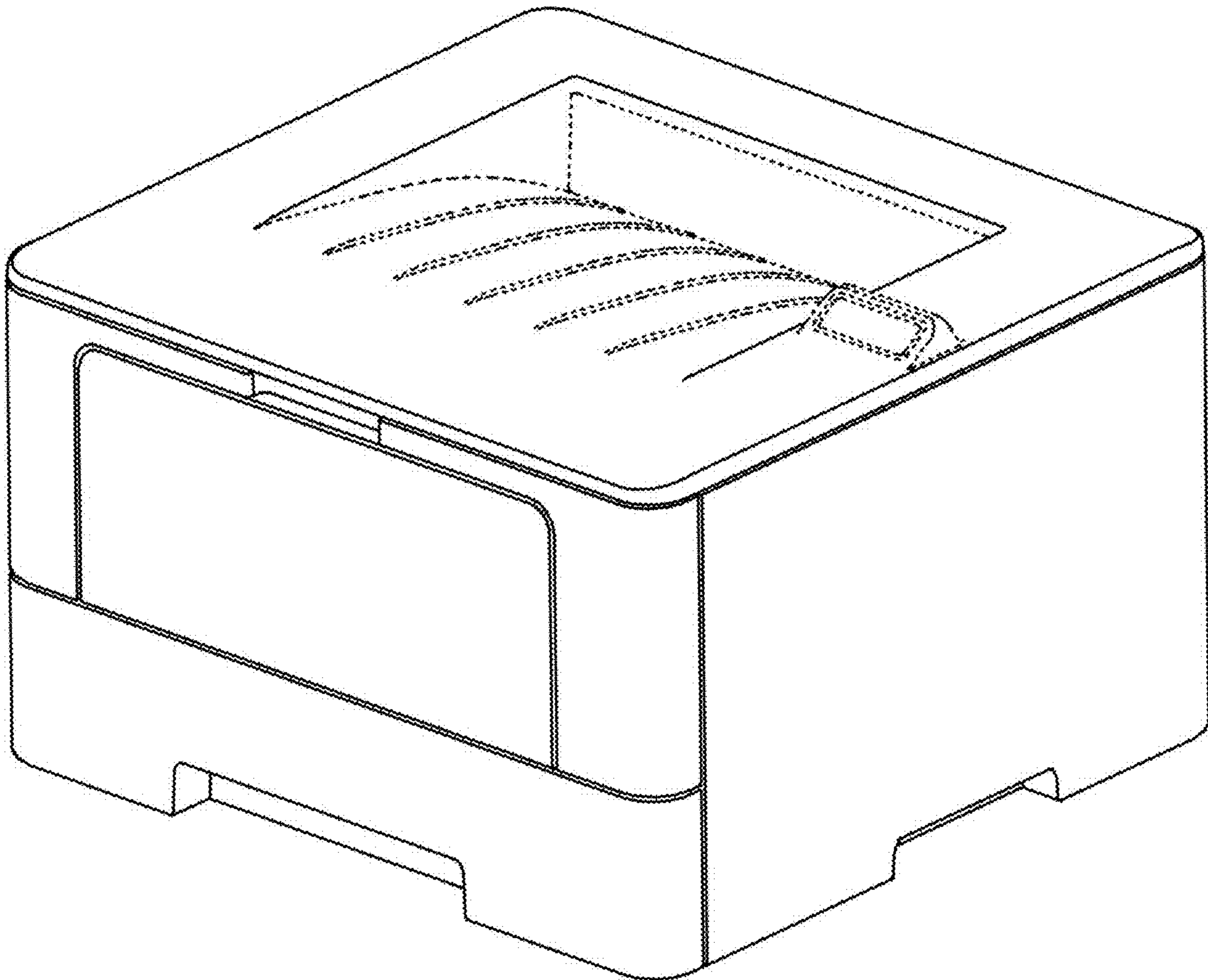


FIG. 1

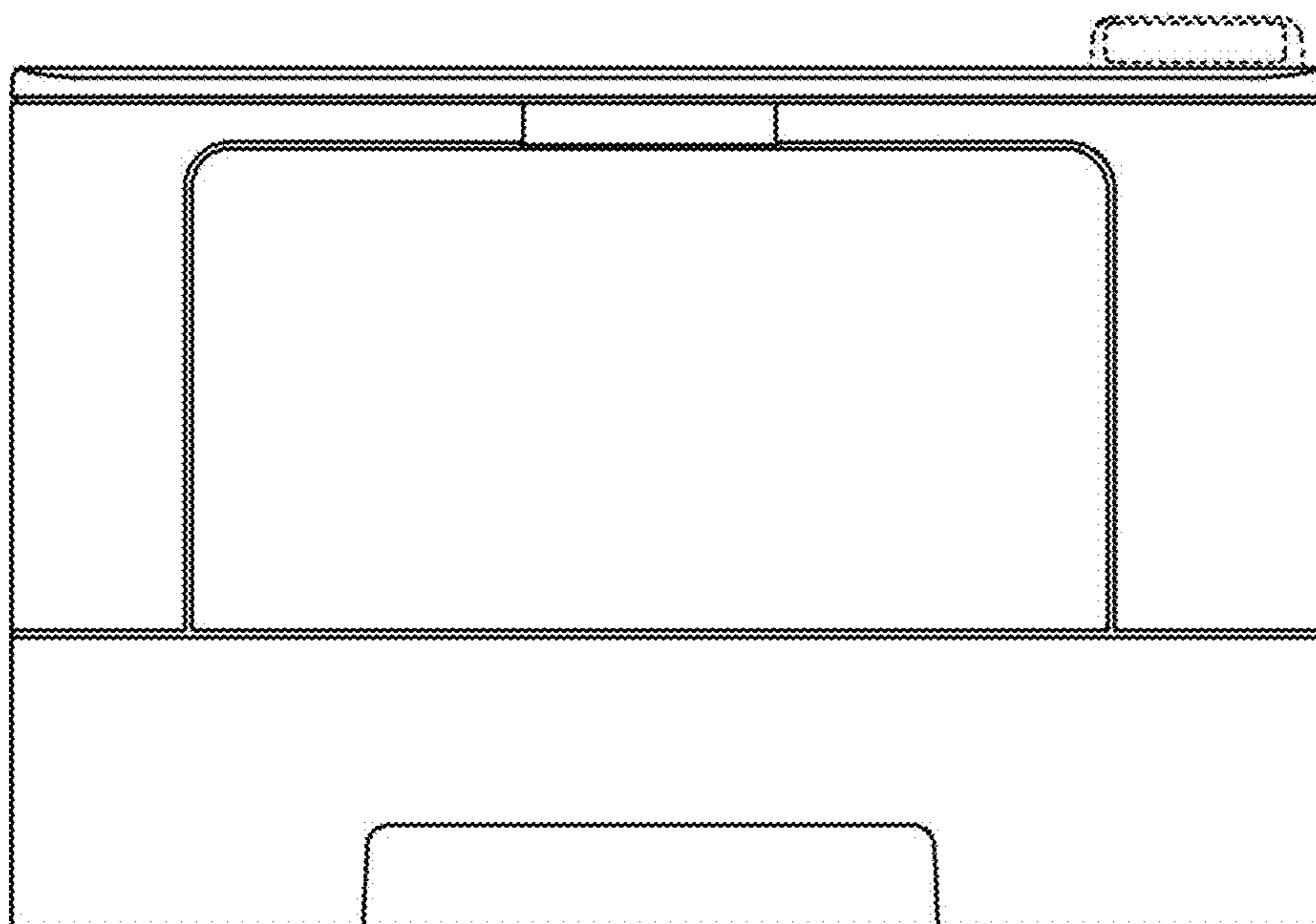


FIG. 2

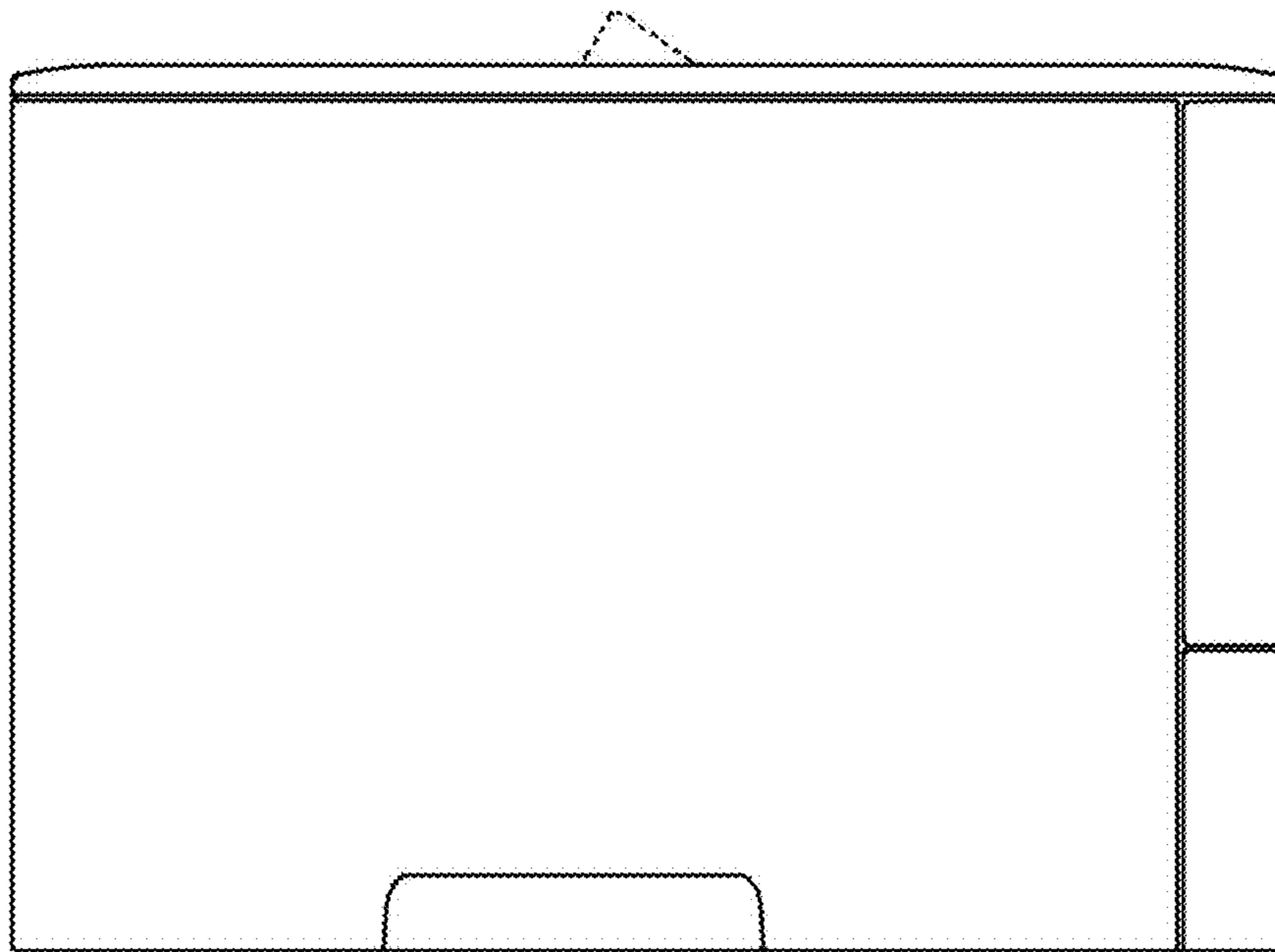


FIG. 3

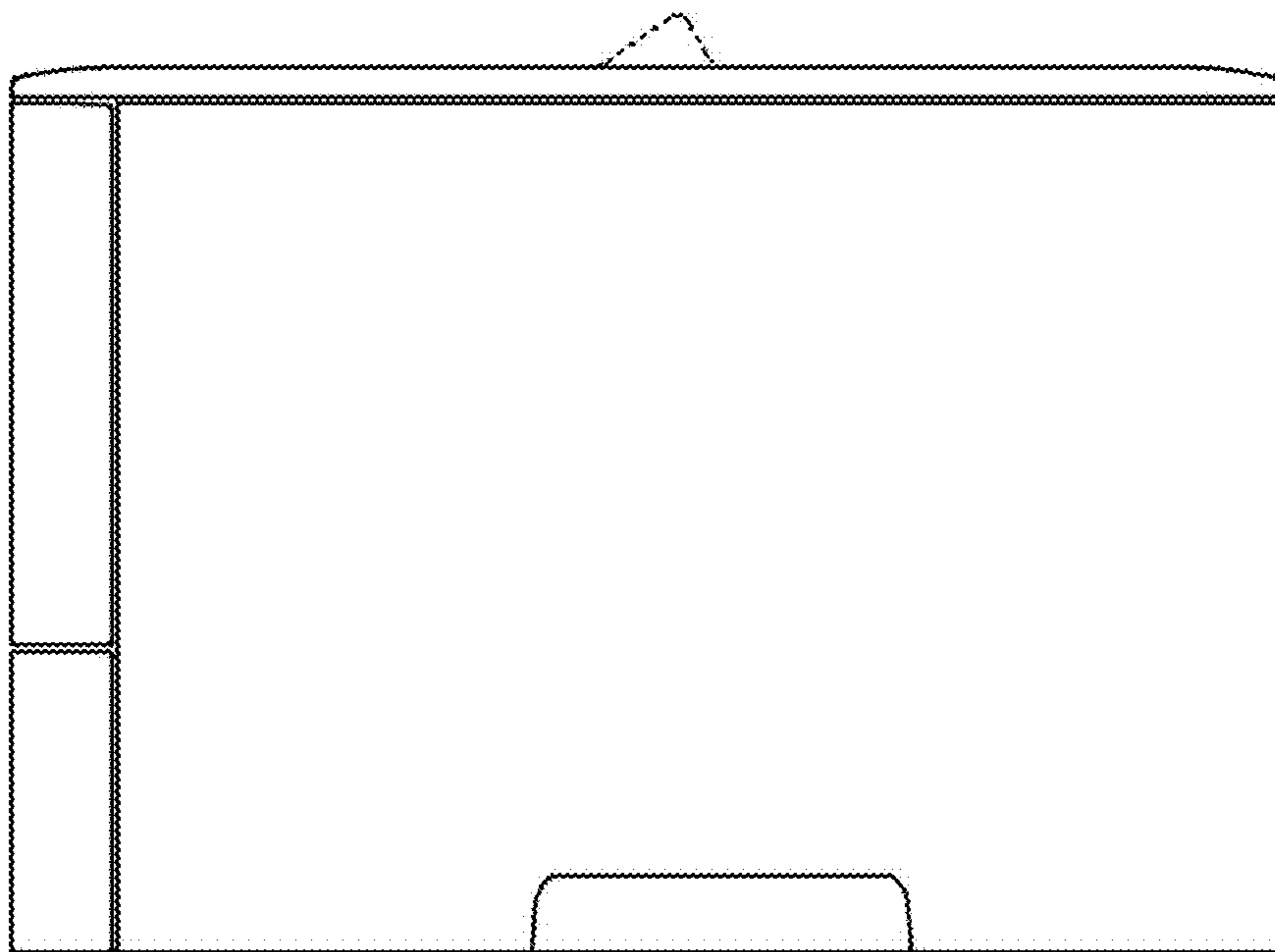


FIG. 4

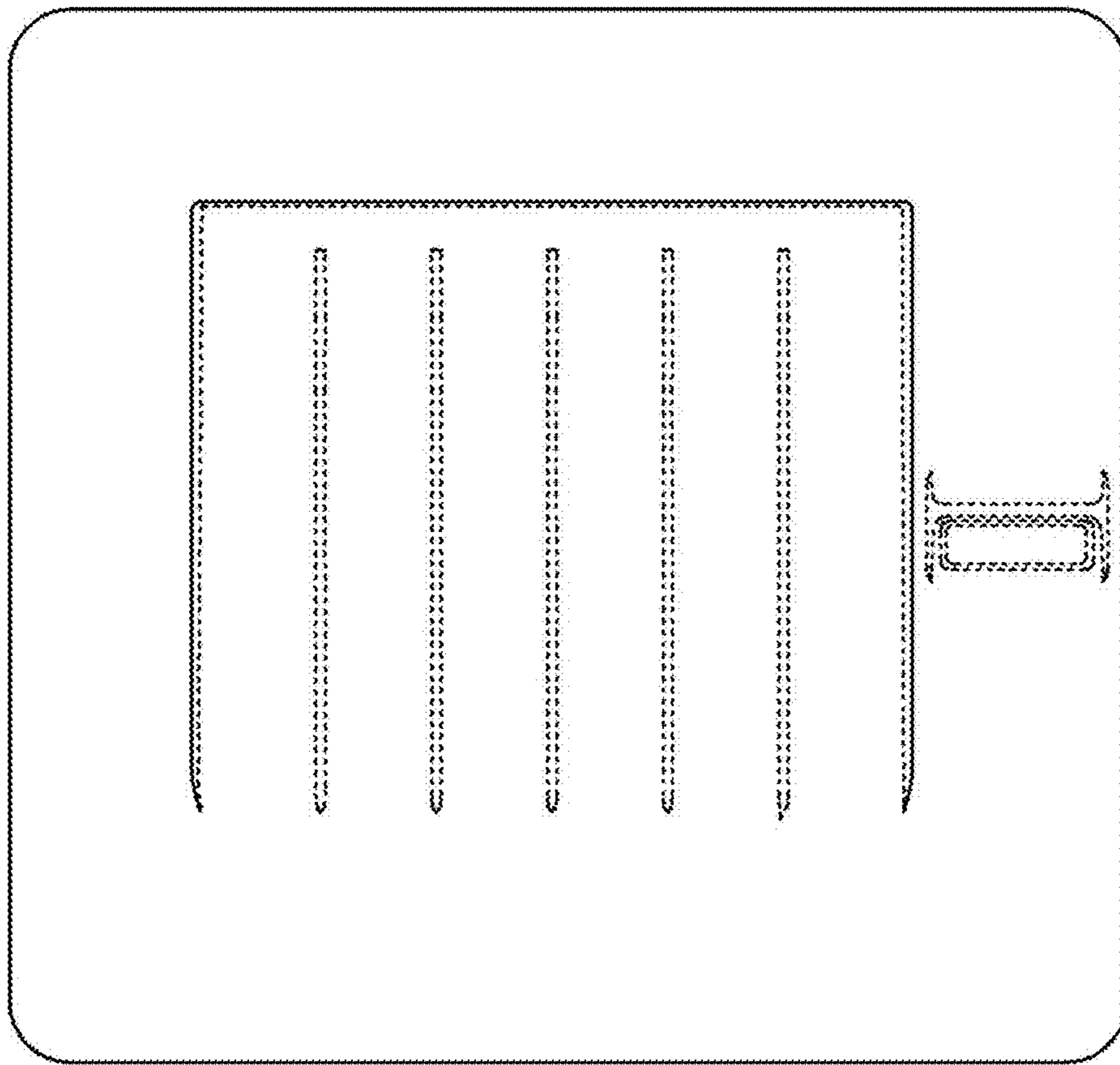


FIG. 5

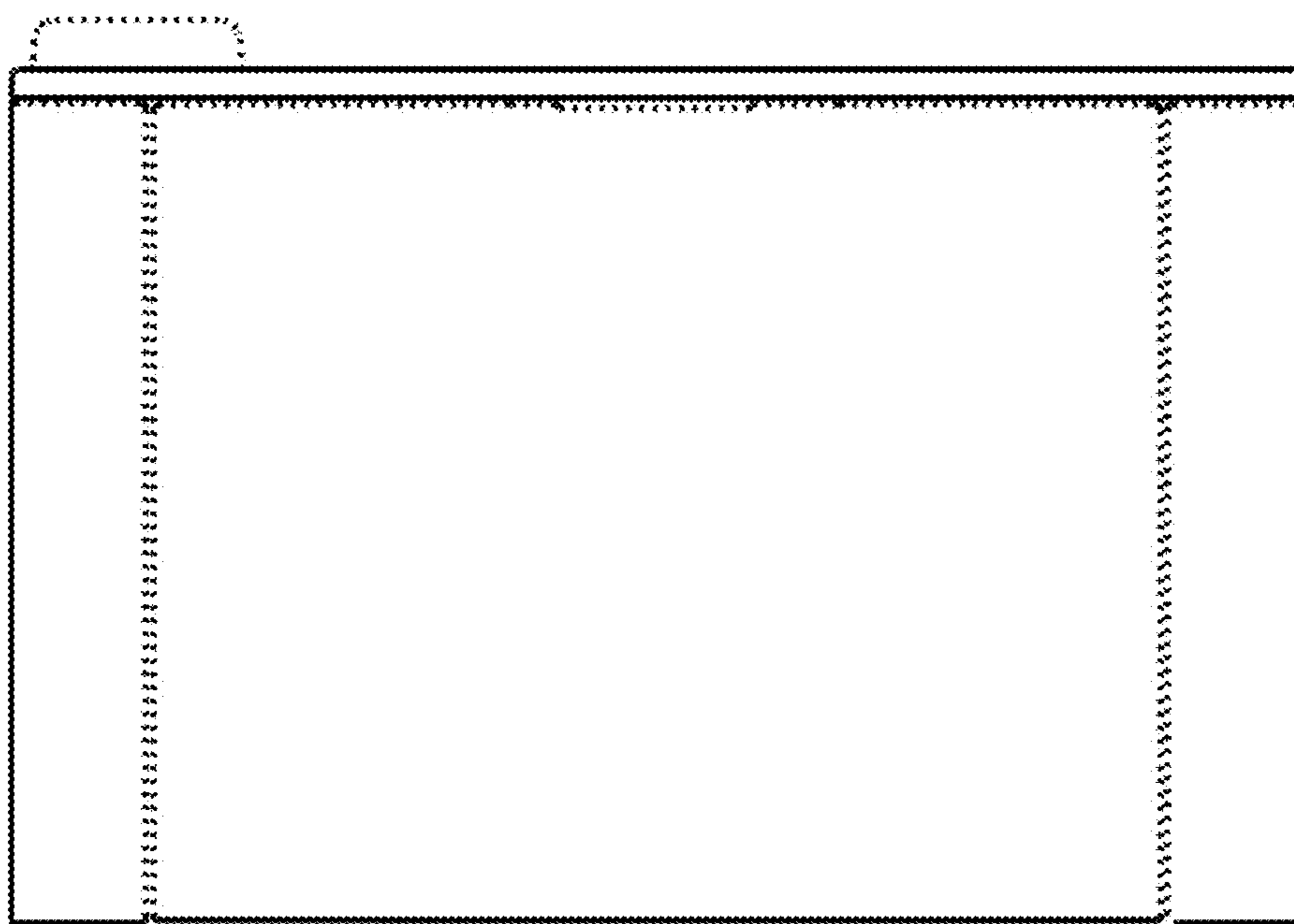


FIG. 6

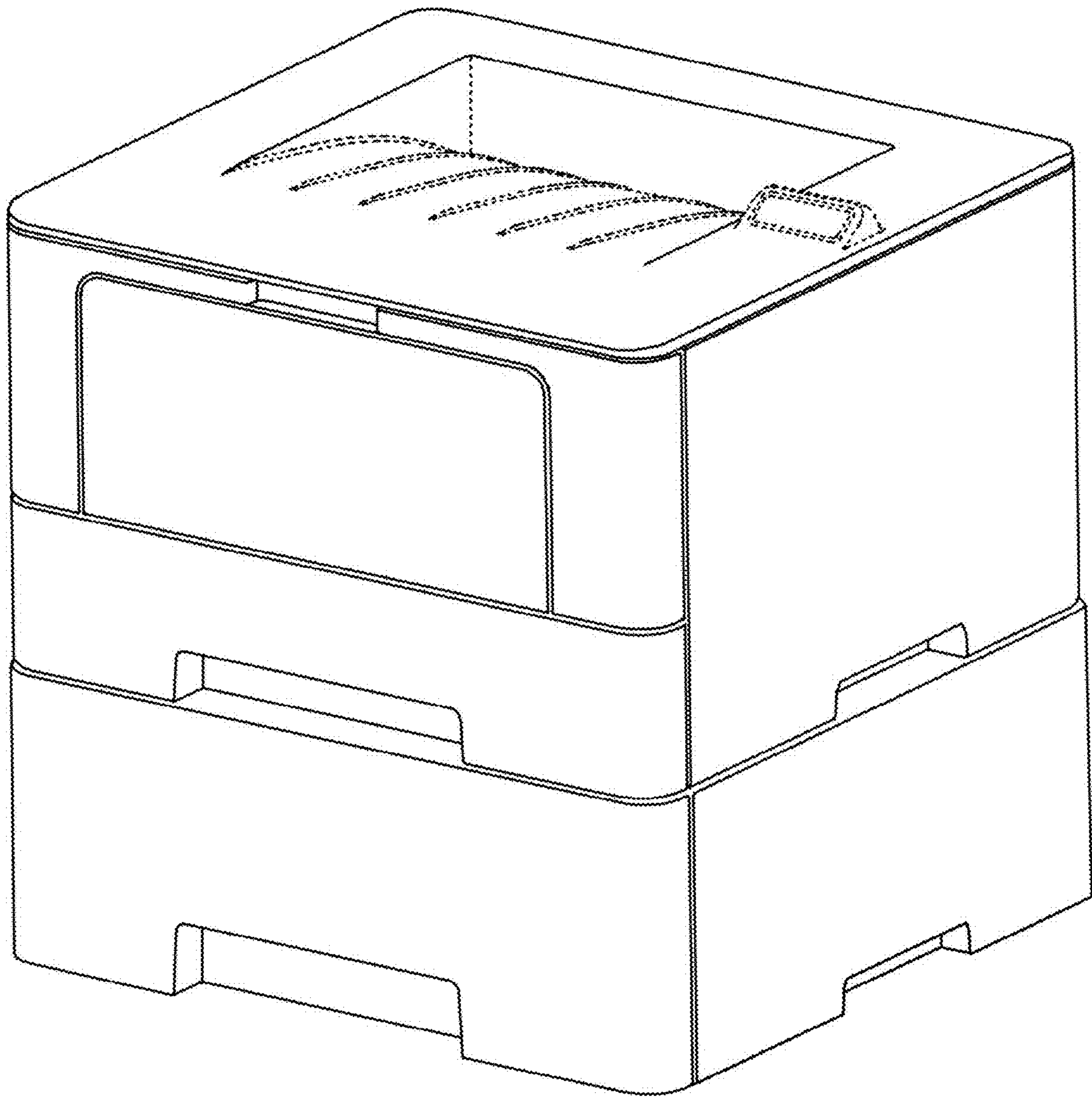


FIG. 7

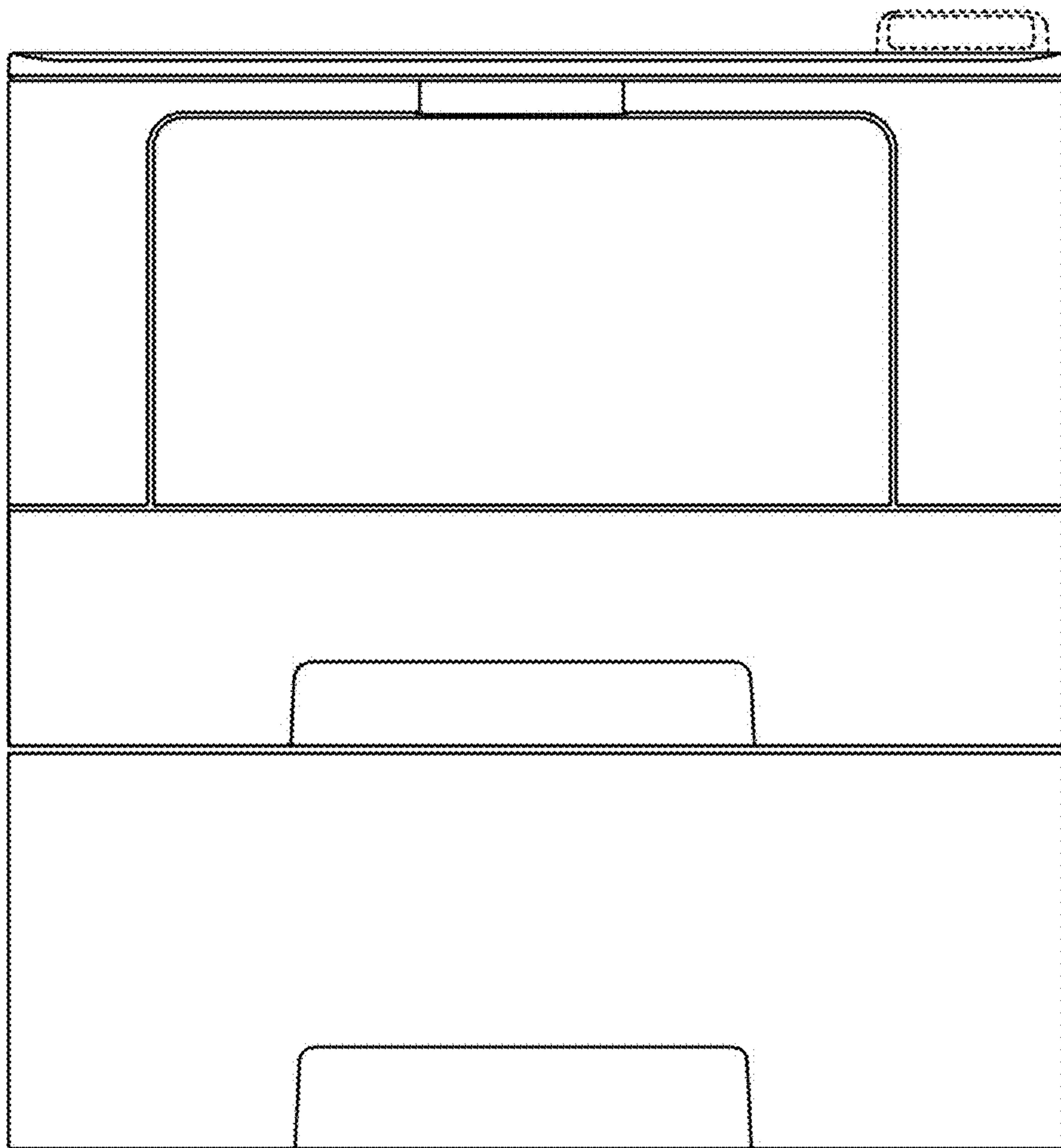


FIG. 8

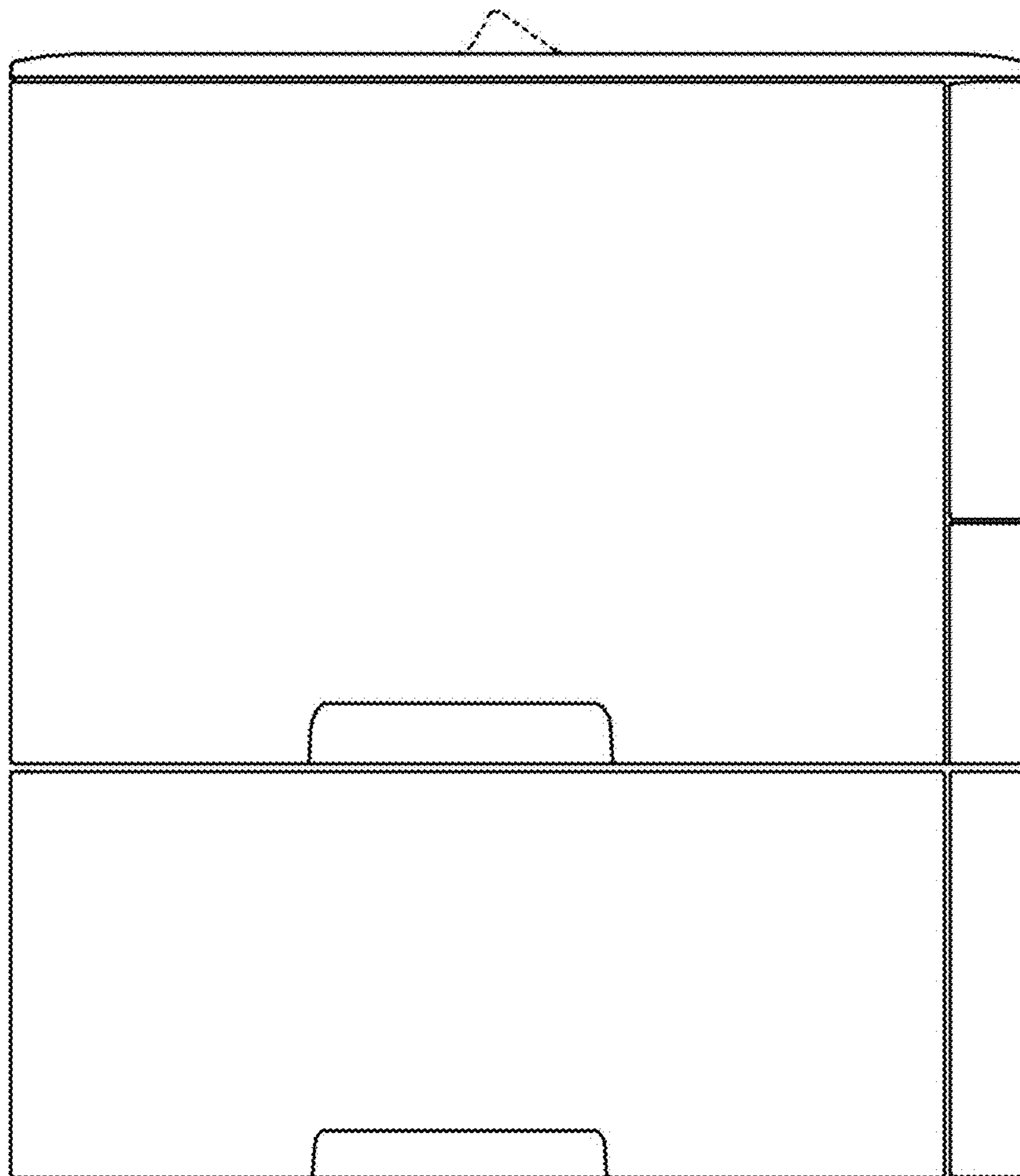


FIG. 9



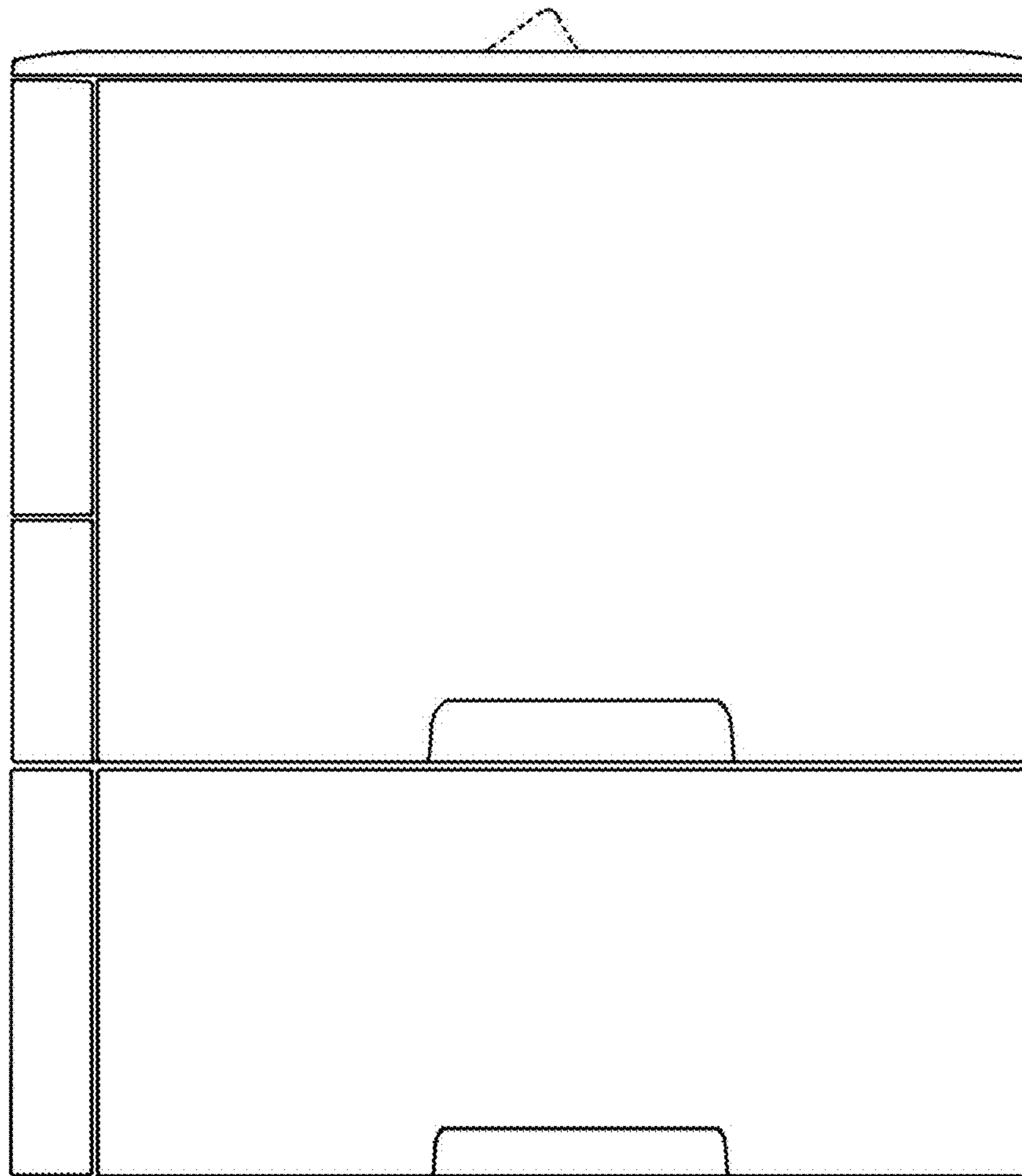


FIG. 10

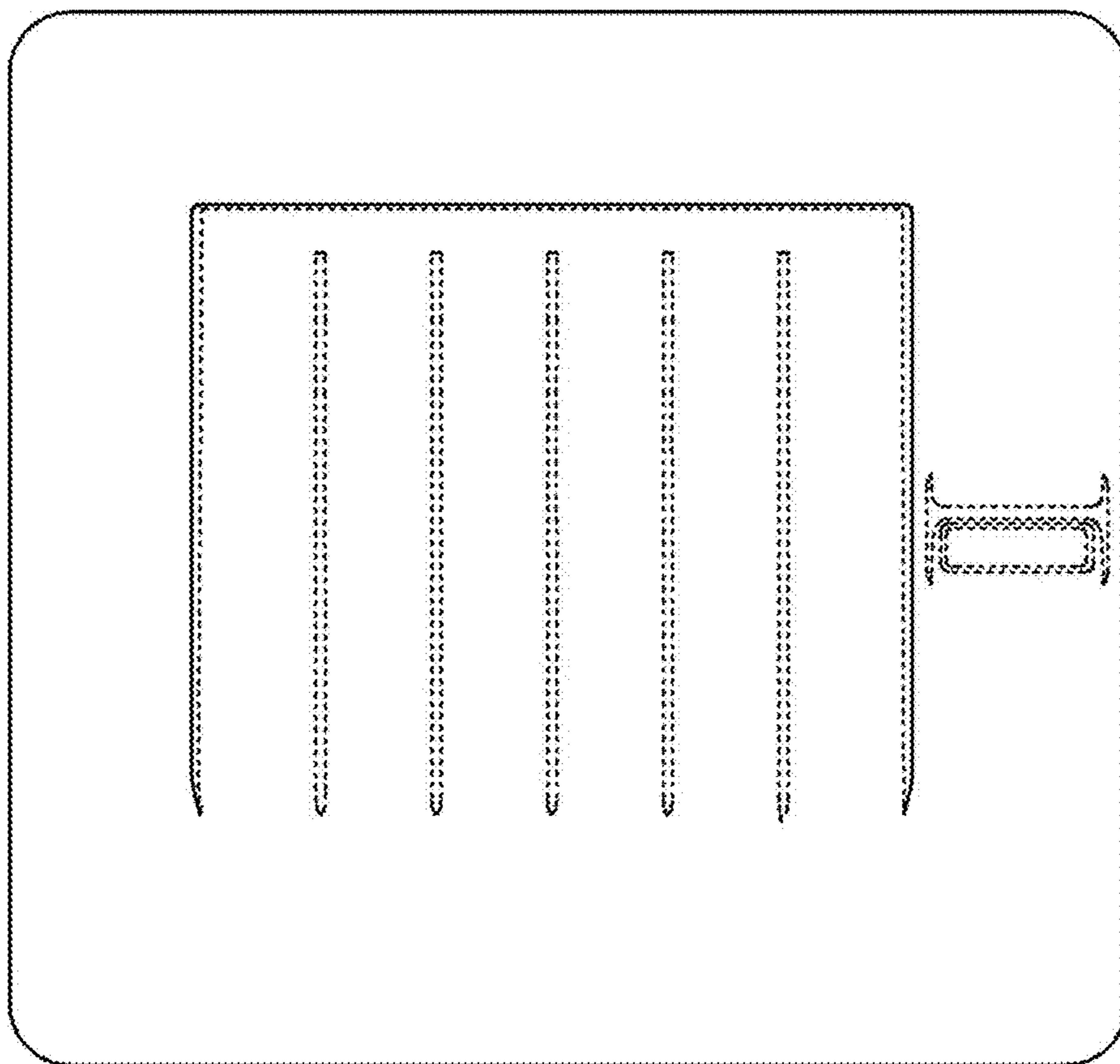


FIG. 11

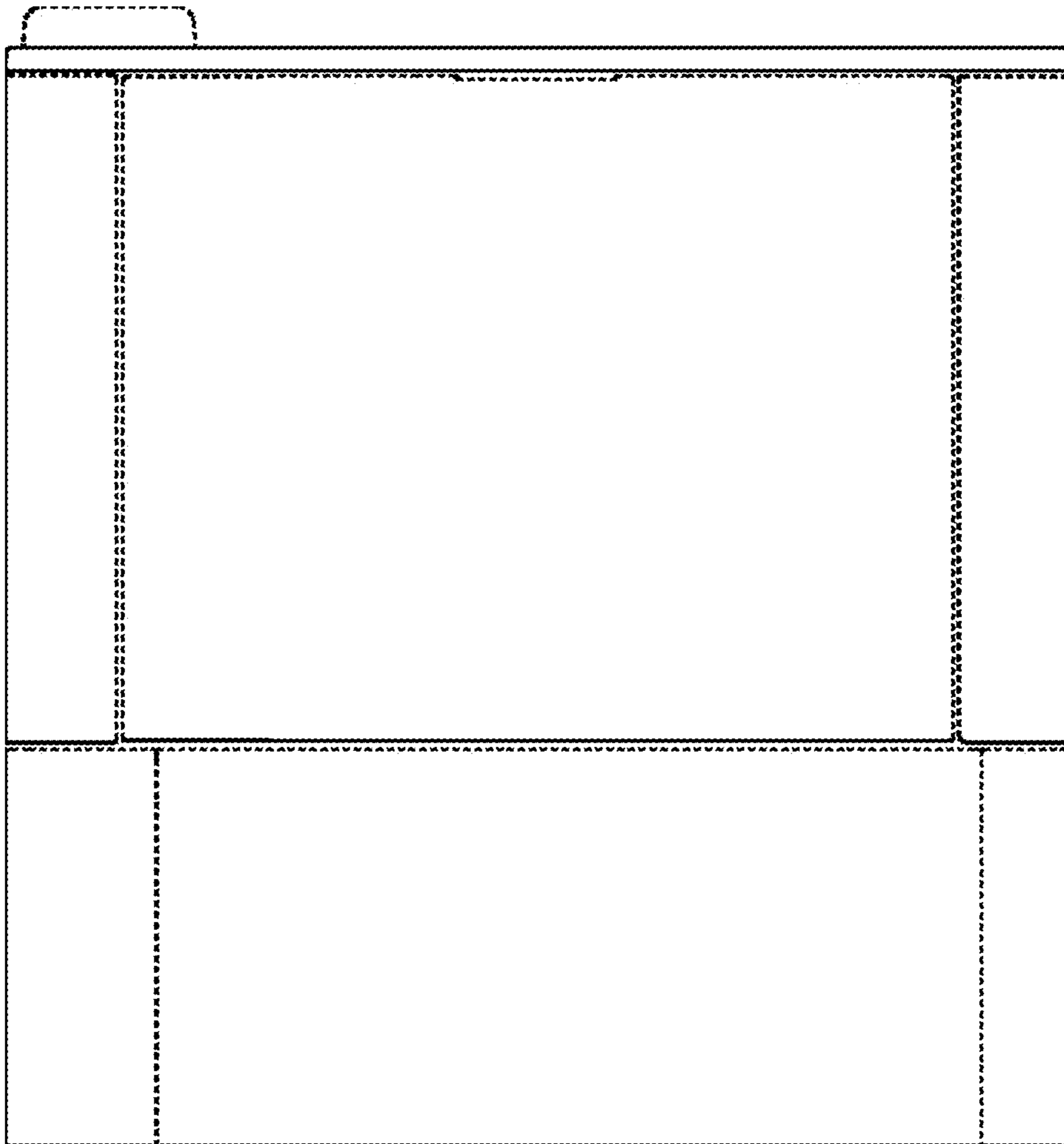


FIG. 12