



US00D973766S

(12) **United States Design Patent**  
**Zhao**

(10) **Patent No.:** **US D973,766 S**  
(45) **Date of Patent:** **\*\* Dec. 27, 2022**

- (54) **LABEL PRINTER**
- (71) Applicant: **Guangzhou Chuanbu Electronic Technology Co., Ltd.,** Guangzhou (CN)
- (72) Inventor: **Zugan Zhao,** Shangrao (CN)
- (\*\*) Term: **15 Years**
- (21) Appl. No.: **29/796,204**
- (22) Filed: **Jun. 23, 2021**
- (51) **LOC (13) Cl.** ..... **18-99**
- (52) **U.S. Cl.**  
USPC ..... **D18/19**
- (58) **Field of Classification Search**  
USPC ..... D18/14, 15, 16, 17, 18, 19, 36, 37, 38, D18/39, 40, 41, 45, 54, 55, 50, 53, 43, D18/56; D19/65, 66, 67, 68, 69, 70, 71; D14/301, 307, 121  
CPC ..... H04N 1/00204; H04N 1/00249; H04N 1/00278; G06K 15/12; G06K 15/14; B41J 3/00; B41J 3/28; B41J 3/445; B41J 3/46; B41J 11/0045; B41J 2/3358; B41J 3/36; B41J 3/382  
See application file for complete search history.

D913,287 S \* 3/2021 Tanaka ..... D14/422  
 D942,535 S \* 2/2022 Wang ..... D18/50  
 D946,651 S \* 3/2022 Faro ..... D18/53

**FOREIGN PATENT DOCUMENTS**

CN 306224292 \* 12/2020  
 CN 306368021 \* 3/2021  
 CN 306541396 \* 5/2021

**OTHER PUBLICATIONS**

Amazon. Link: [https://www.amazon.com/AOBIO-Shipping-Packages-Business-Compatible/dp/B097PCJMP5/ref=sr\\_1\\_2?keywords=B097PCJMP5&qid=163759069%E2%80%A6](https://www.amazon.com/AOBIO-Shipping-Packages-Business-Compatible/dp/B097PCJMP5/ref=sr_1_2?keywords=B097PCJMP5&qid=163759069%E2%80%A6). Jun. 22, 2021. AOBIO Shipping Label Printer. (Year: 2021).\*  
 Amazon. Link: [https://www.amazon.com/Eyoyo-Shipping-High-Speed-Business-Compatible/dp/B09JKQ6SDB/ref=sr\\_1\\_1?crid=NLNYSJ4SBNQU&keywords=B09JKQ6SDB&qid=1644522439&s=electronics&sprefix=b09jkq6sdb%2Celectronics%2C82&sr=1-1](https://www.amazon.com/Eyoyo-Shipping-High-Speed-Business-Compatible/dp/B09JKQ6SDB/ref=sr_1_1?crid=NLNYSJ4SBNQU&keywords=B09JKQ6SDB&qid=1644522439&s=electronics&sprefix=b09jkq6sdb%2Celectronics%2C82&sr=1-1). Oct. 15, 2021. Eyoyo Barcode Label Printer. (Year: 2021).\*

(Continued)

*Primary Examiner* — Lauren D McVey

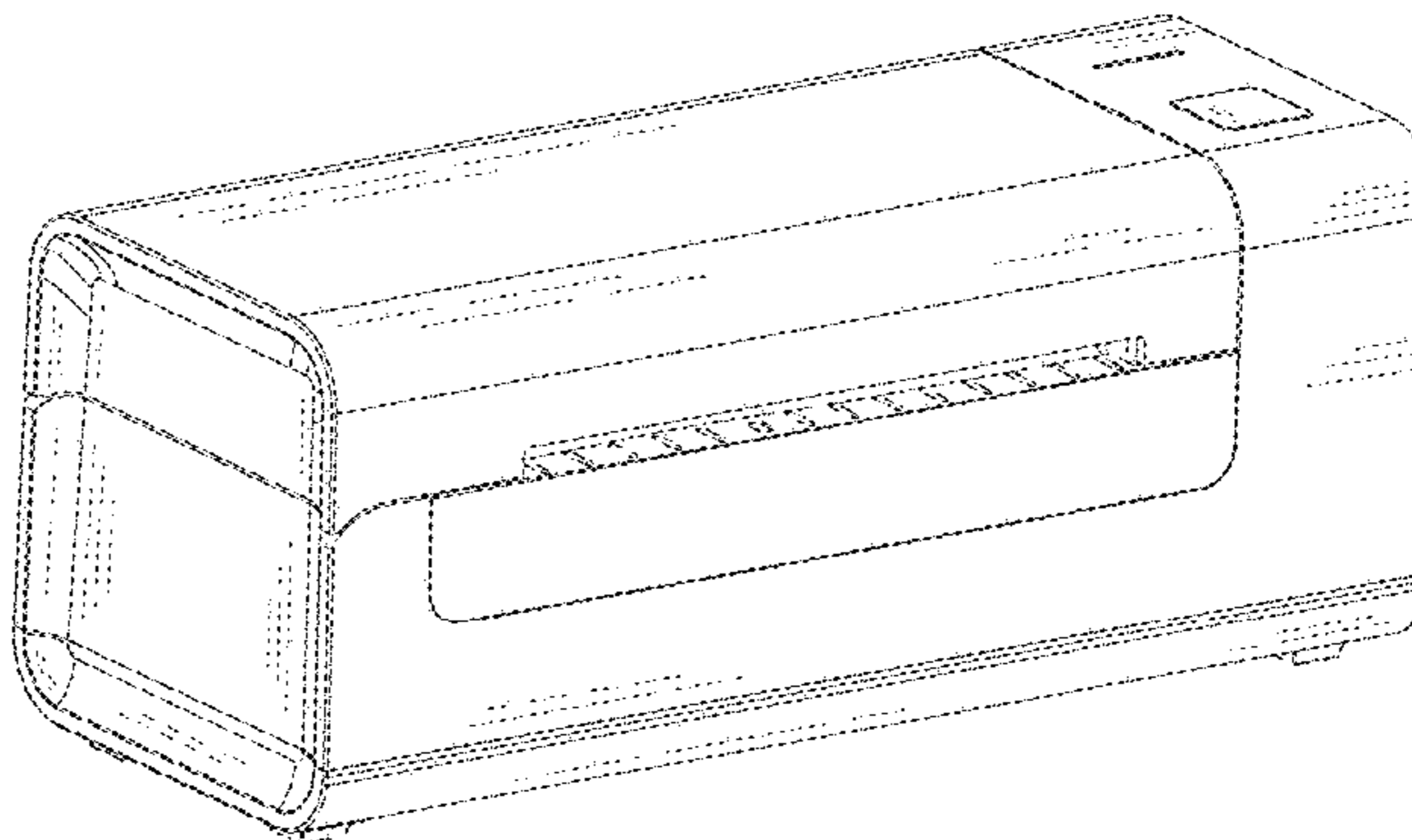
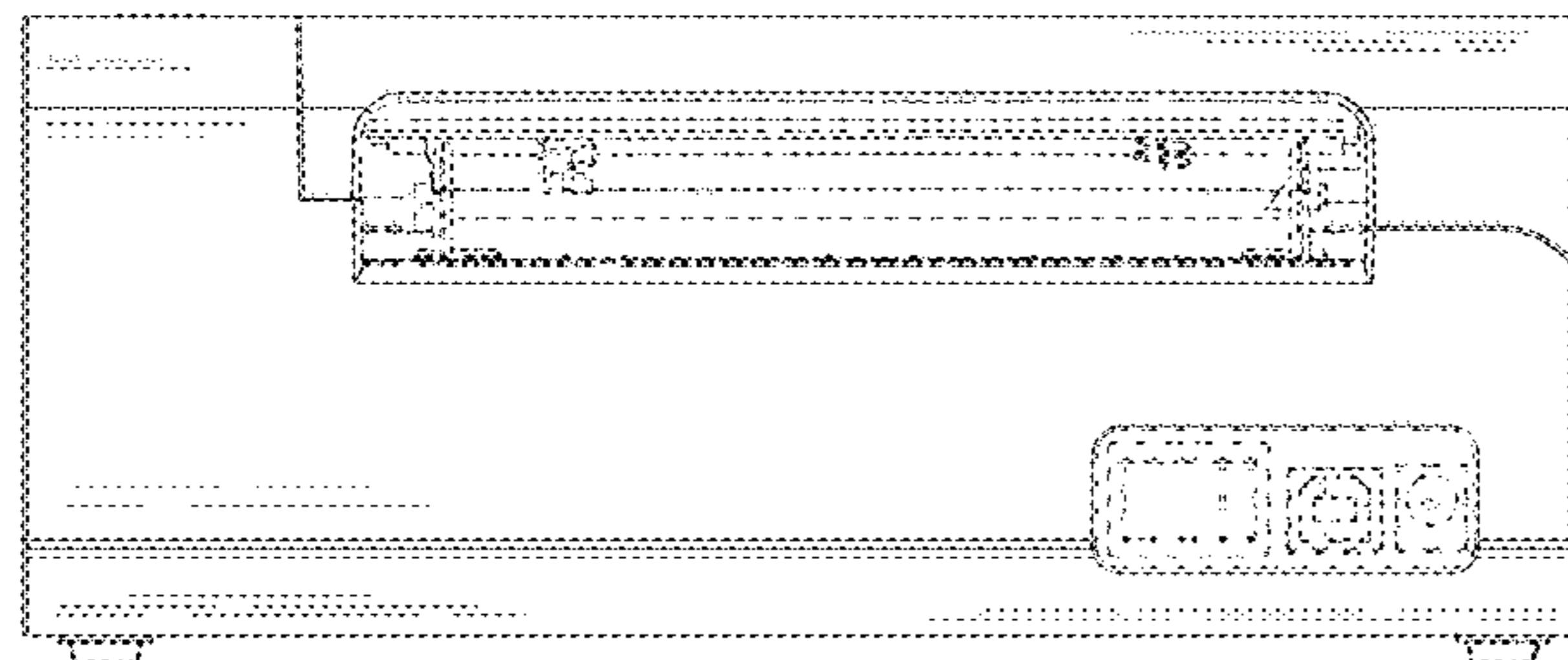
(57) **CLAIM**

The ornamental design for a label printer, as shown and described.

**DESCRIPTION**

FIG. 1 is a front elevation view thereof of a label printer, showing our new design.  
 FIG. 2 is a rear elevation view thereof  
 FIG. 3 is a right side elevation view thereof  
 FIG. 4 is a left side elevation view thereof  
 FIG. 5 is a top view thereof  
 FIG. 6 is a bottom plan view thereof; and,  
 FIG. 7 is a top, front and right side perspective view thereof.  
 The broken lines in the drawings illustrate the portions of the label printer which form no part of the claimed design.

**1 Claim, 7 Drawing Sheets**



(56)

**References Cited**

OTHER PUBLICATIONS

Amazon. Link: [https://www.amazon.com/Jiose-Shipping-Printer-Compatible-Shipstation/dp/B08J7BBPYQ/ref=sr\\_1\\_4?crid=25G4S4H4MF8RK&keywords=B08J7BBPYQ&qid=1644522568&s=electronics&smid=A1MSJWGL35CNA5&srefix=b08j7bbpyq%2CElectronics%2C60&sr=1-4&th=1](https://www.amazon.com/Jiose-Shipping-Printer-Compatible-Shipstation/dp/B08J7BBPYQ/ref=sr_1_4?crid=25G4S4H4MF8RK&keywords=B08J7BBPYQ&qid=1644522568&s=electronics&smid=A1MSJWGL35CNA5&srefix=b08j7bbpyq%2CElectronics%2C60&sr=1-4&th=1). Sep. 16, 2020. Jiose Shipping Label Printer. (Year: 2020).\*

Amazon. Link: [https://www.amazon.com/Rollo-Label-Printer-Commercial-Compatible/dp/B01MA3EYC5/ref=pd\\_di\\_sccai\\_1?pd\\_rd\\_w=sjKiD&pf\\_rd\\_p=c9443270-b91%E2%80%A6](https://www.amazon.com/Rollo-Label-Printer-Commercial-Compatible/dp/B01MA3EYC5/ref=pd_di_sccai_1?pd_rd_w=sjKiD&pf_rd_p=c9443270-b91%E2%80%A6). Oct. 13, 2016. ROLLO Shipping Label Printer. (Year: 2016).\*

\* cited by examiner

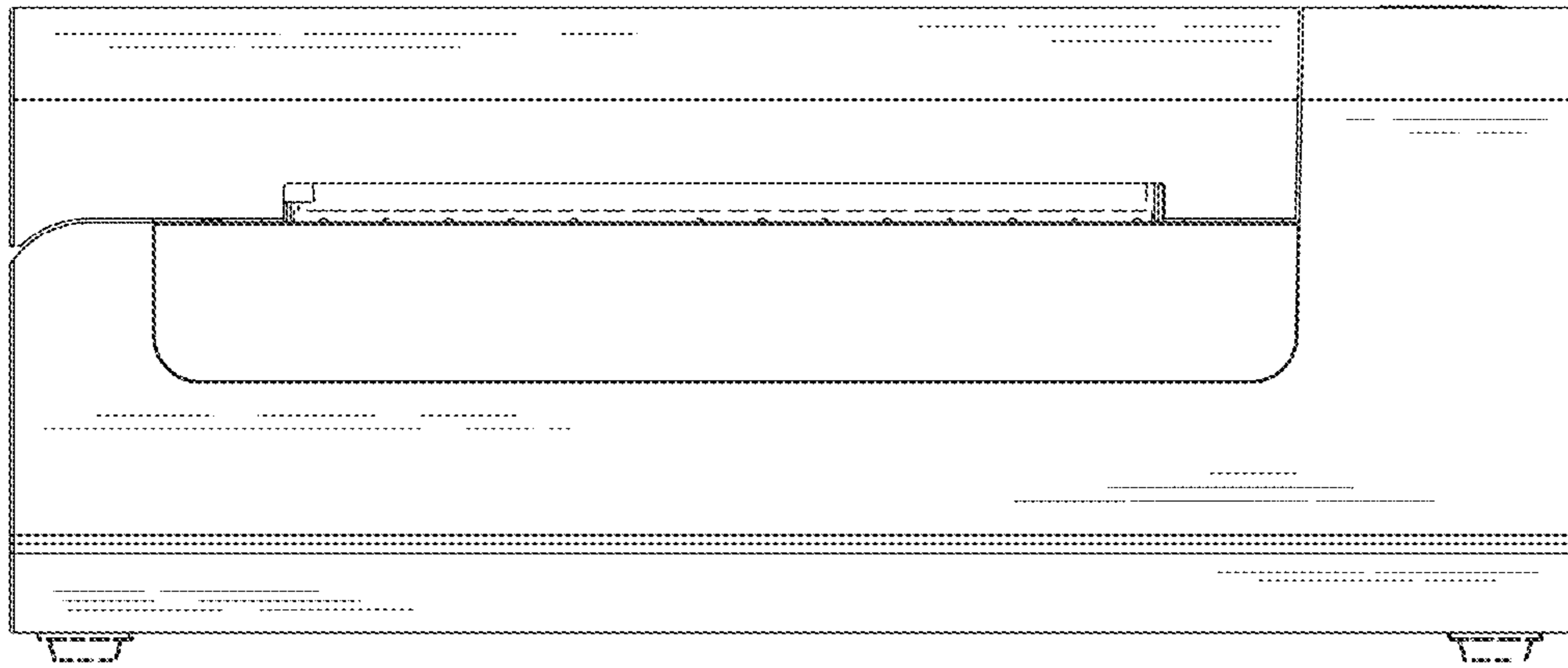


FIG. 1

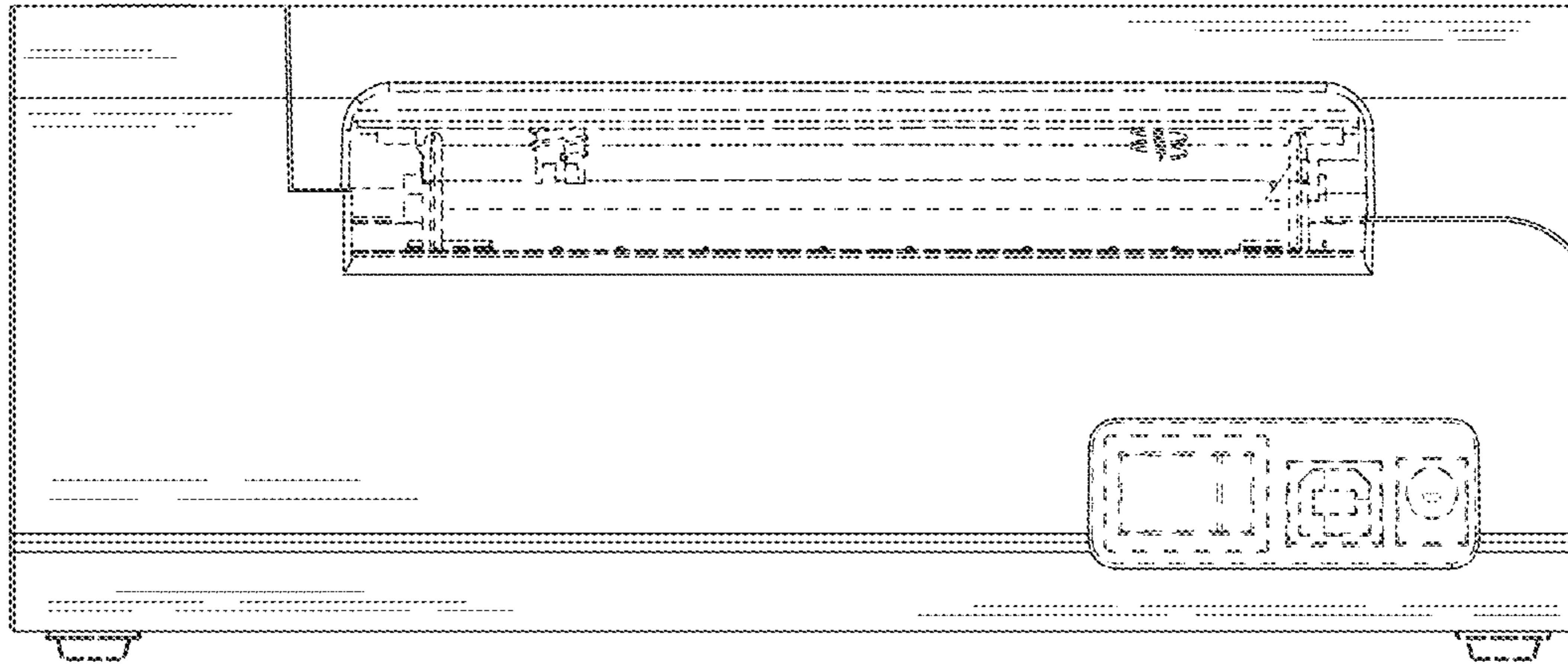


FIG. 2

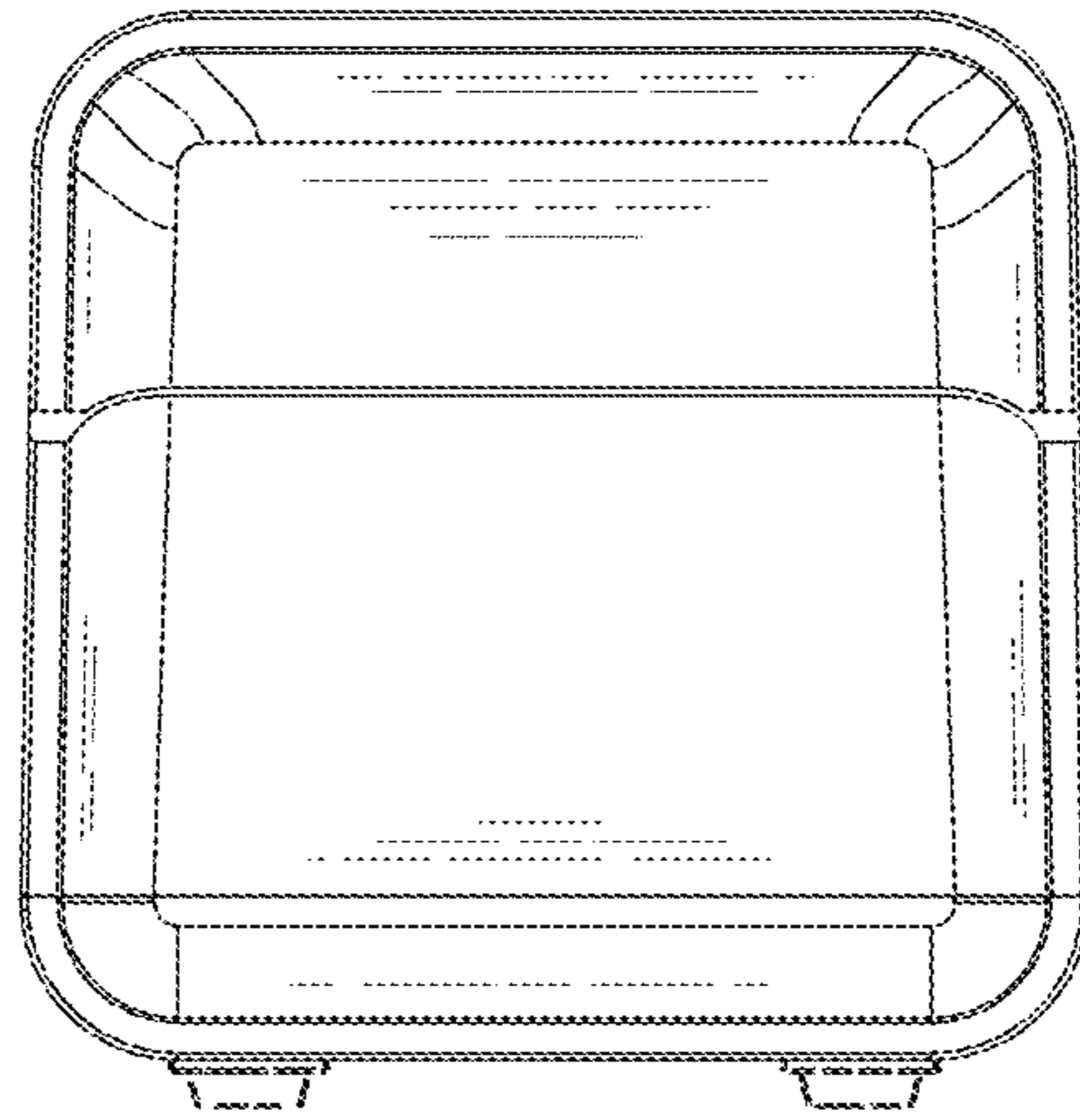


FIG. 3

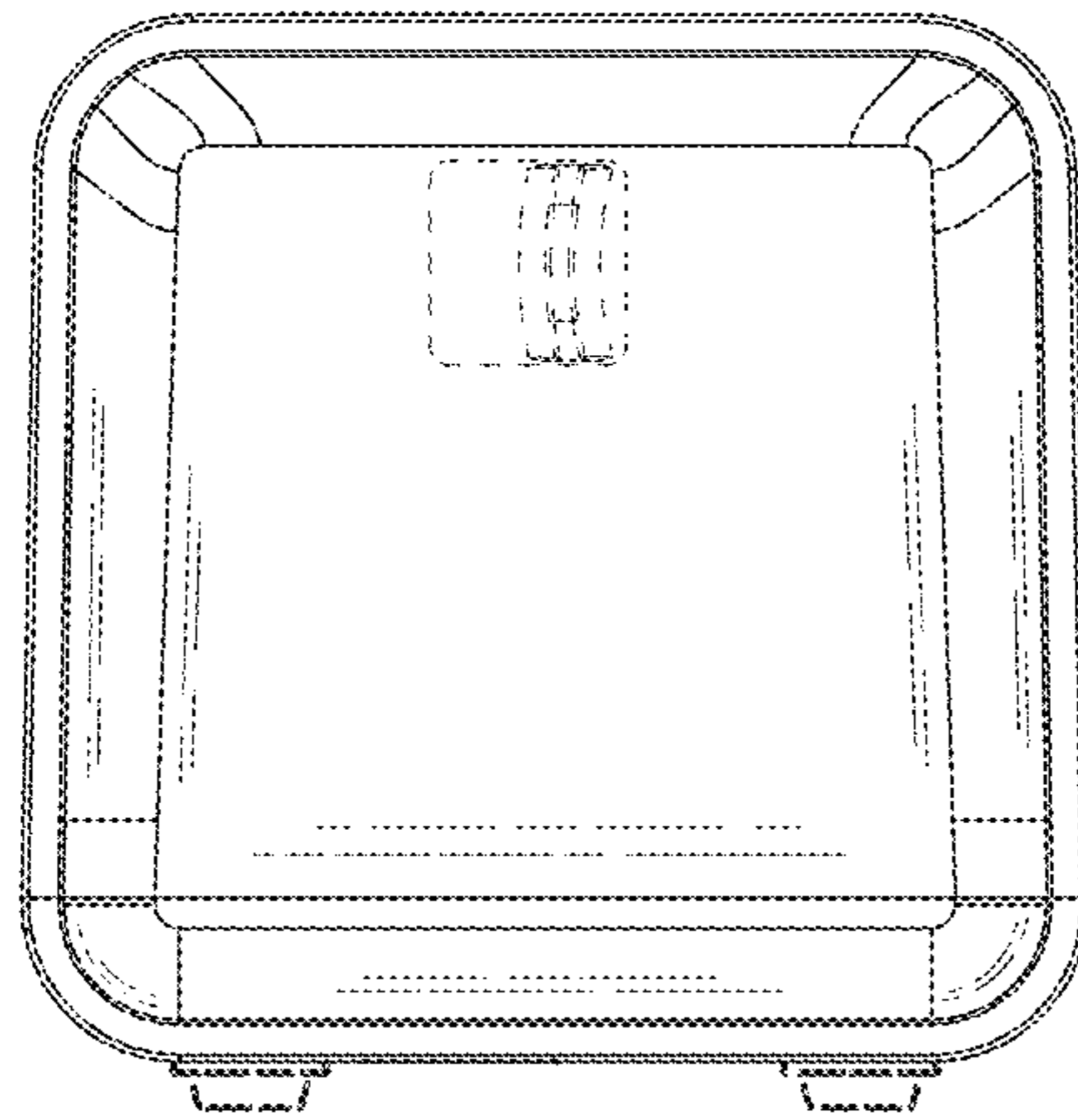


FIG. 4

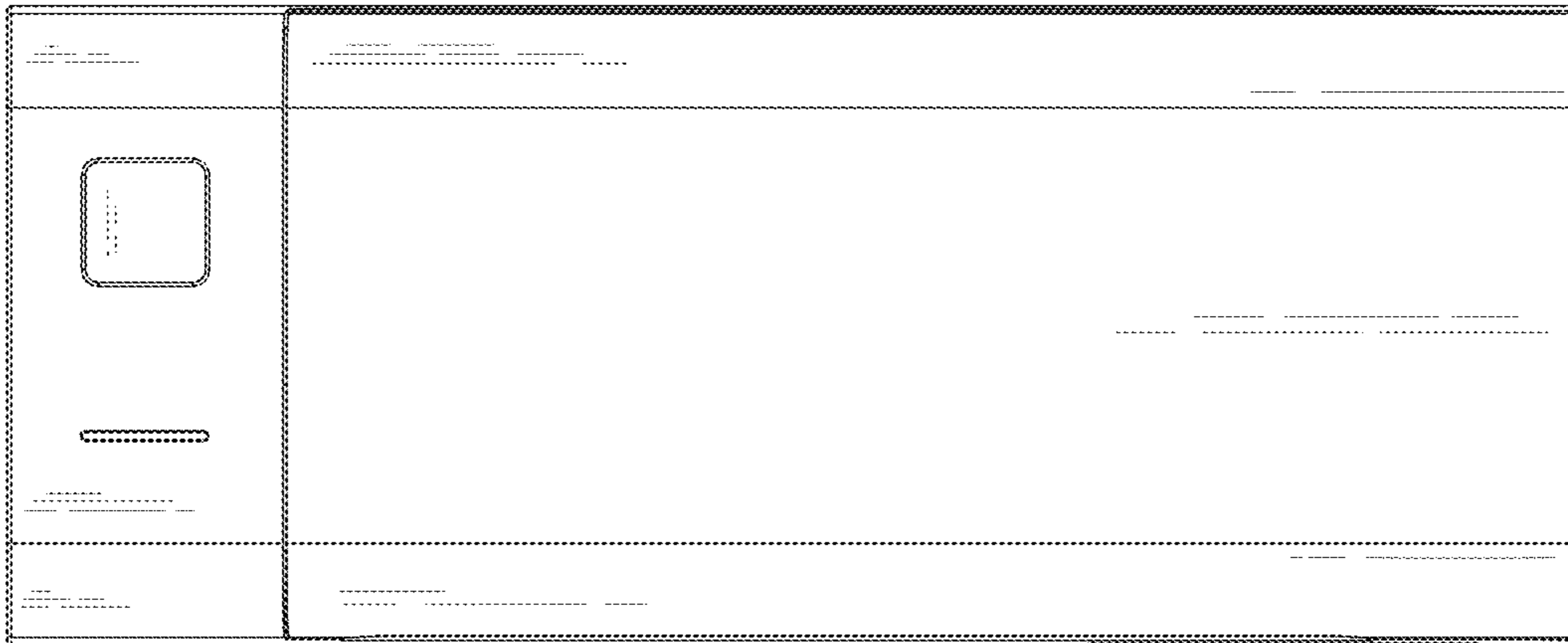


FIG. 5

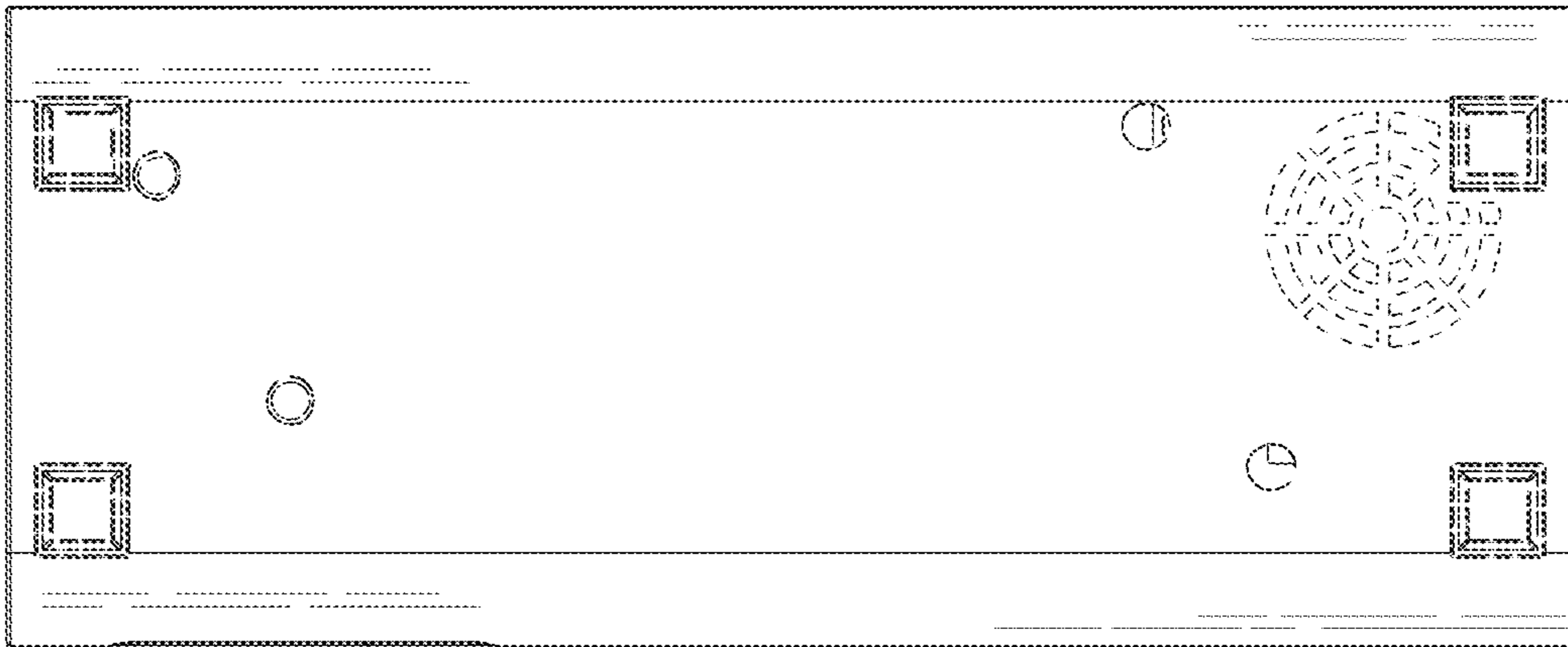


FIG. 6



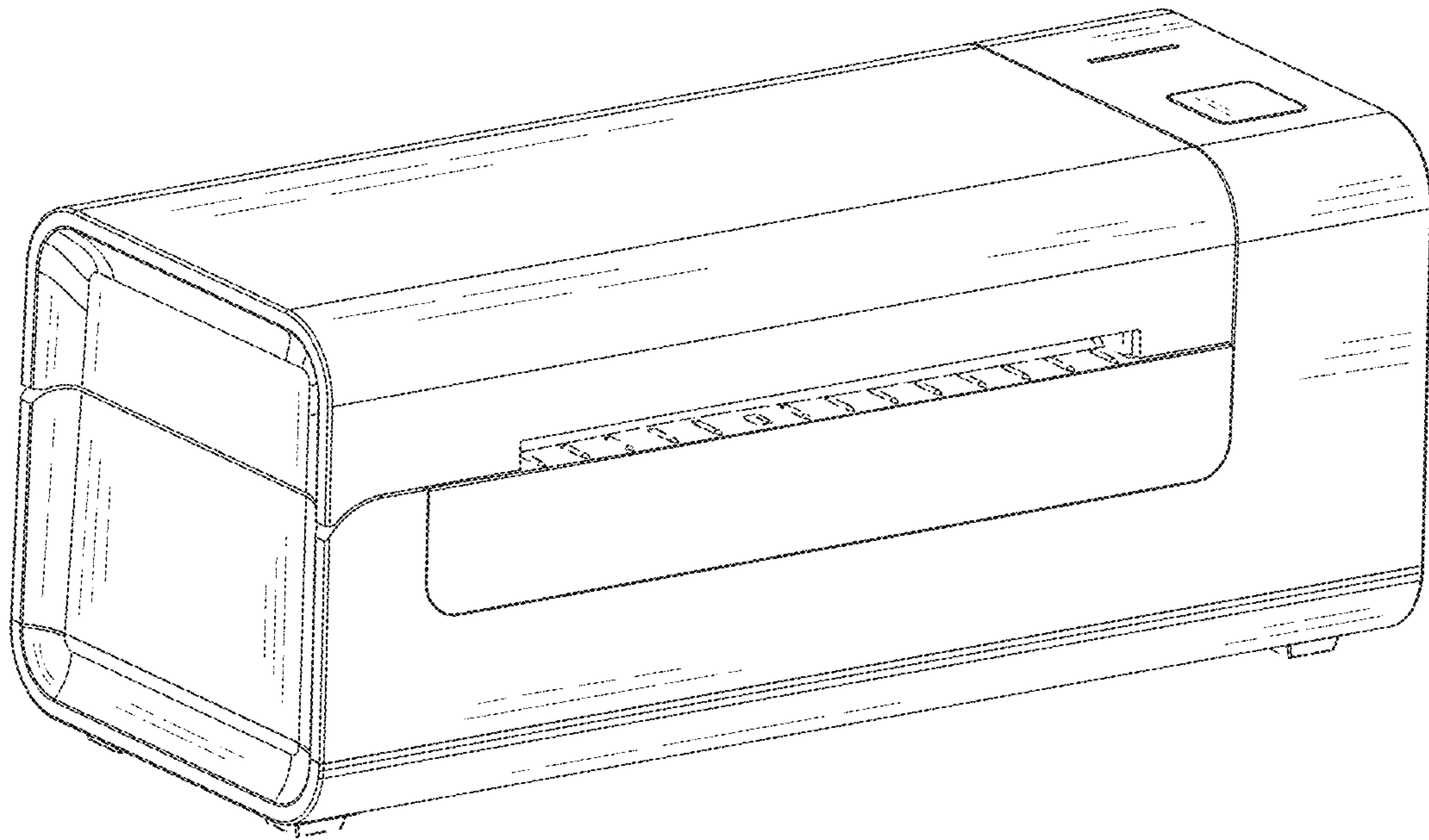


FIG. 7