



US00D973765S

(12) **United States Design Patent** (10) **Patent No.:** **US D973,765 S**
Chang (45) **Date of Patent:** **** Dec. 27, 2022**

(54) **PRINTING MACHINE**
(71) Applicant: **Top Vending Machine Electronics Co., Ltd., Taoyuan (TW)**
(72) Inventor: **Yuan-Fong Chang, Taoyuan (TW)**
(73) Assignee: **Top Vending Machine Electronics Co., Ltd., Taoyuan (TW)**

2005/0286954 A1* 12/2005 Suzuki G07F 19/201
400/663
2008/0304835 A1* 12/2008 Chang H04N 1/00188
399/4
2011/0017795 A1* 1/2011 Lin B41J 15/042
226/2

(Continued)

(**) Term: **15 Years**

FOREIGN PATENT DOCUMENTS

CN 306872048 * 10/2021
EP 0293089 A2 * 11/1988 B41J 3/28
JP 2000280538 A * 10/2000 B26D 1/205

(Continued)

(21) Appl. No.: **29/780,574**

OTHER PUBLICATIONS

(22) Filed: **Apr. 26, 2021**

Alibaba. Link: https://www.alibaba.com/product-detail/flexo-adhesive-tape-printing-machine-with_60752060815.html. Visited Mar. 23, 2022. Flexo adhesive tape printing machine with die cutting. (Year: 2022).*

(Continued)

(51) **LOC (13) Cl.** **18-99**

(52) **U.S. Cl.**
USPC **D18/19**

(58) **Field of Classification Search**
USPC D18/12, 14-19, 36-41, 50, 45, 54, 55,
D18/53, 56; D19/65, 66, 67, 68, 69, 70,
D19/71; D14/301, 307, 121
CPC H04N 1/00204; H04N 1/00249; H04N
1/00278; G06K 15/12; G06K 15/14; B41J
3/00; B41J 3/46; B41J 2/3358; B41J
3/382; B41J 3/445; B41J 3/28; B41J
11/0045; B41J 3/36

See application file for complete search history.

Primary Examiner — Lauren D McVey
(74) *Attorney, Agent, or Firm* — Karin L. Williams; Alan D. Kamrath; Mayer & Williams PC

(57) **CLAIM**

The ornamental design for a printing machine, as shown and described.

DESCRIPTION

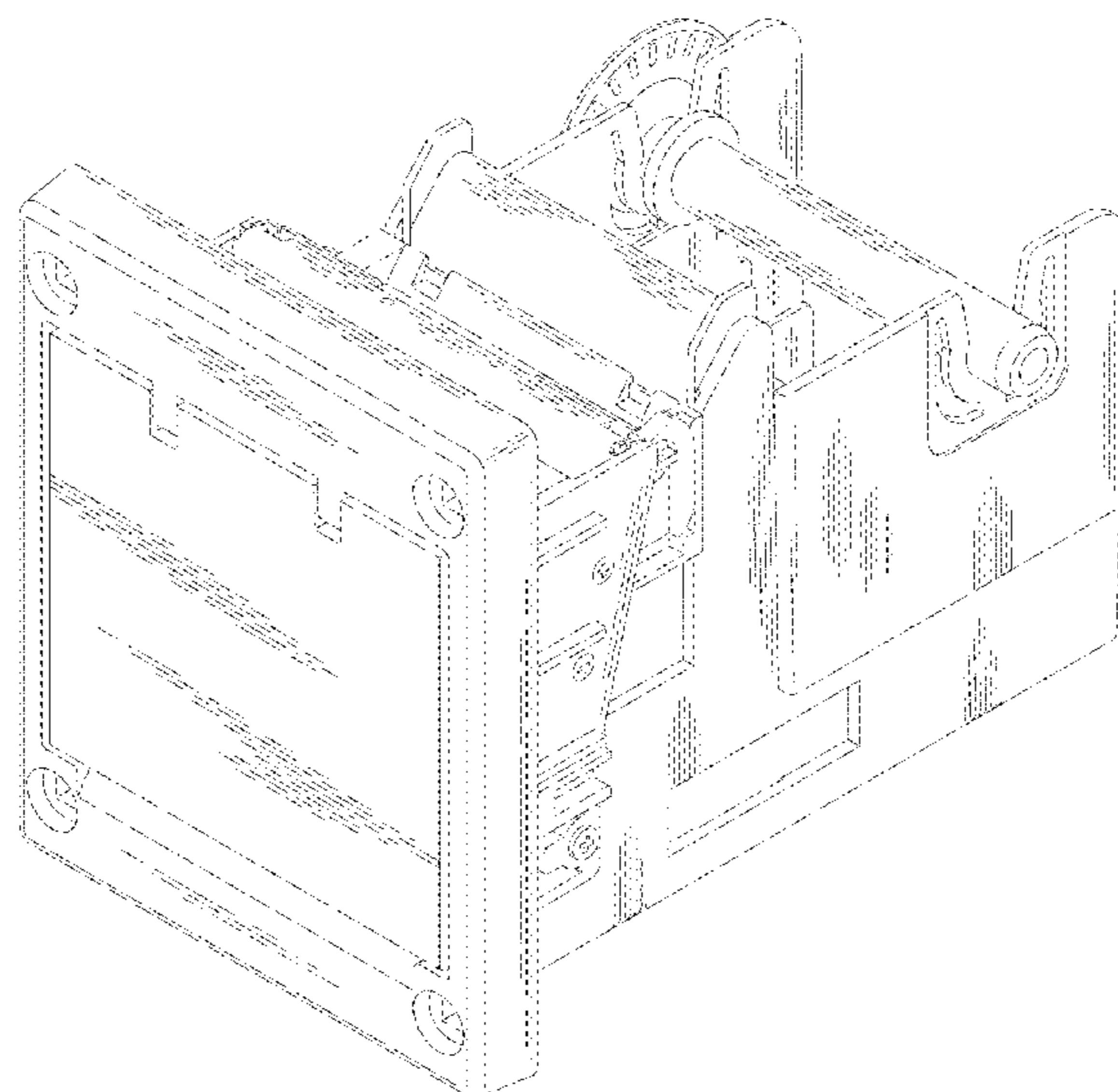
(56) **References Cited**

U.S. PATENT DOCUMENTS

D324,695 S * 3/1992 Malone D18/12
D472,917 S * 4/2003 Iwata D18/12
D593,148 S * 5/2009 Polidoro D18/12.1
D593,595 S * 6/2009 Kubota D18/12
D614,694 S * 4/2010 Nishizaka D18/19
D753,217 S * 4/2016 Ozawa D18/50
D827,707 S * 9/2018 Campanini D18/56
D846,634 S * 4/2019 Chang D18/50
2005/0057633 A1* 3/2005 Meyerhofer G07F 17/32
347/105

FIG. 1 is a front, top, perspective view of a printing machine showing my design;
FIG. 2 is a rear, top, perspective view thereof;
FIG. 3 is a front elevational view thereof;
FIG. 4 is a rear elevational view thereof;
FIG. 5 is a left elevational view thereof;
FIG. 6 is a right elevational view thereof;
FIG. 7 is a top plan view thereof; and,
FIG. 8 is a bottom plan view thereof.

1 Claim, 8 Drawing Sheets



(56)

References Cited

U.S. PATENT DOCUMENTS

2021/0155441 A1* 5/2021 Chang B65H 35/008

FOREIGN PATENT DOCUMENTS

JP D1509938 * 10/2014
WO WO-0218147 A1 * 3/2002 B41J 11/42
WO WO-0218254 A1 * 3/2002 B41J 11/42
WO WO-2015099061 A * 7/2015 B41J 11/0045

OTHER PUBLICATIONS

Amazon. Link: https://www.amazon.com/Brother-TD-4650TNWB-Transfer-Barcodes-Bluetooth/dp/B08GL41GJL/ref=sr_1_1?crid=1T827OXBPO4K&keywords=B08GL41GJL&qid=1648064334&s=industrial&prefix=b08gl41gjl%2Cindustrial%2C56&sr=1-1. Oct. 1, 2020. Brother TD-4650TNWB 4-inch Thermal Transfer Printer (Year: 2020).*

YouTube. Link: <https://www.youtube.com/watch?v=vEP6V0yKc4c>. Feb. 4, 2020. Setting the Bottle Carriage on the TAL-3100R. (Year: 2020).*

* cited by examiner

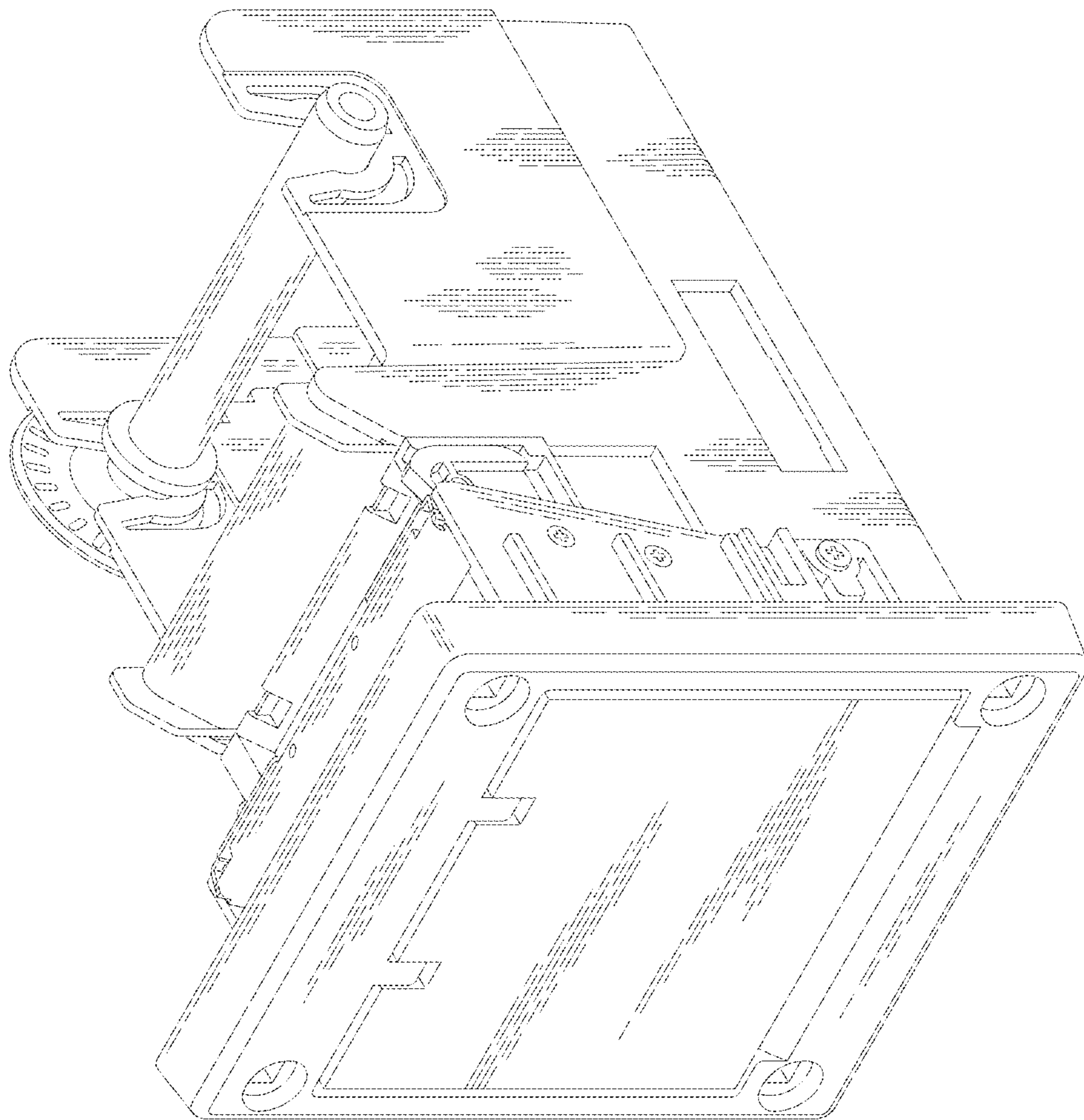


FIG. 1

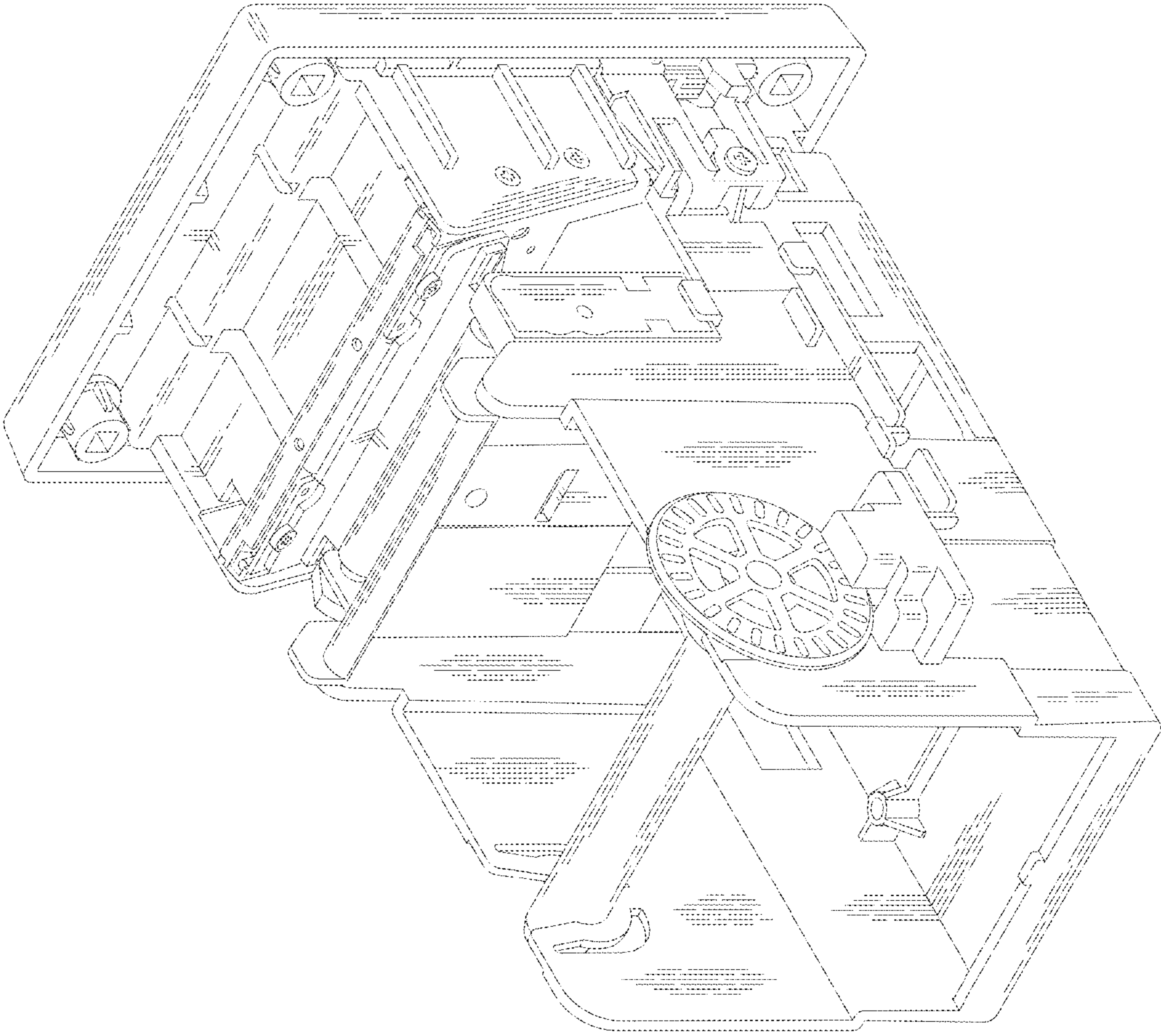


FIG. 2

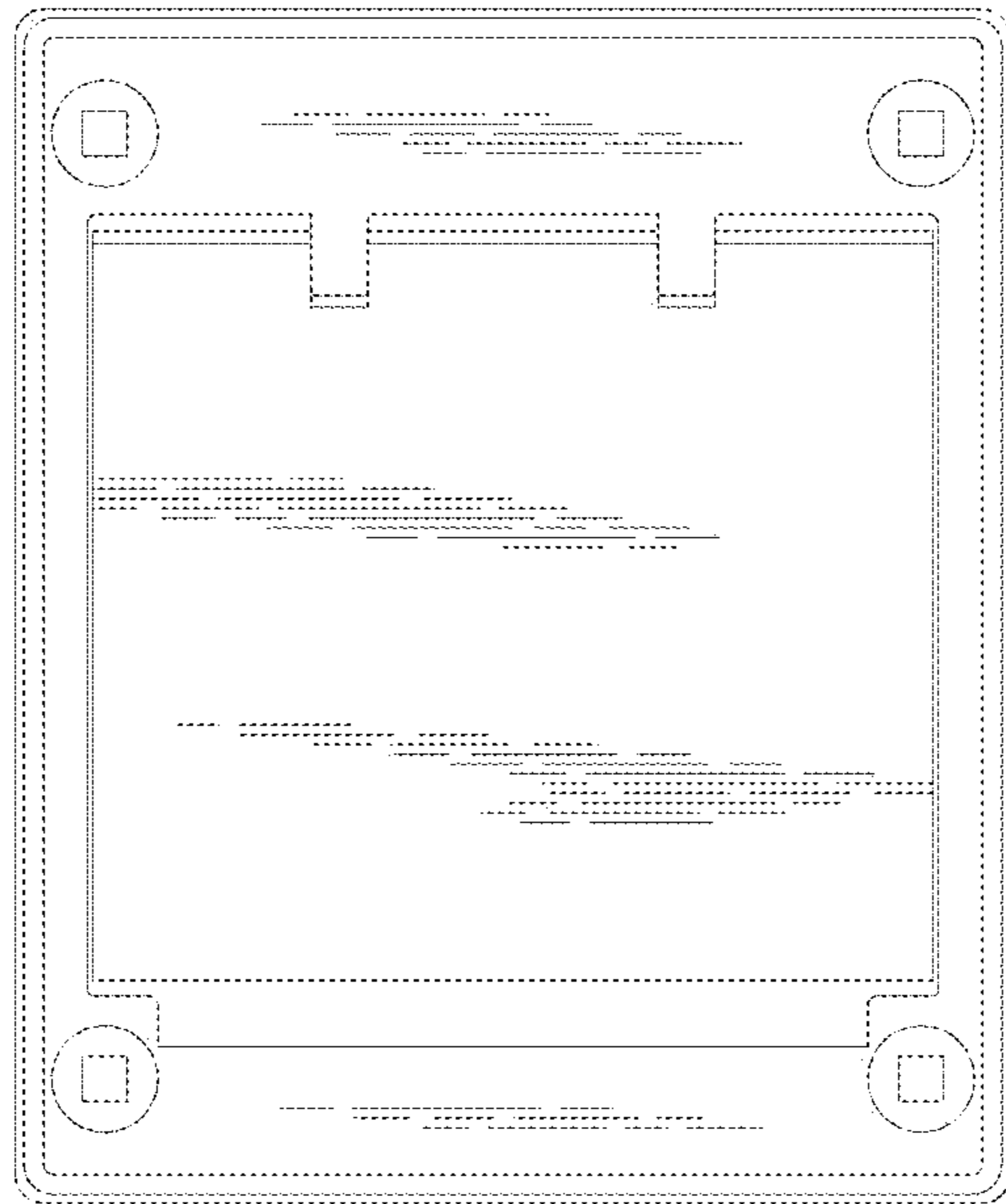


FIG. 3

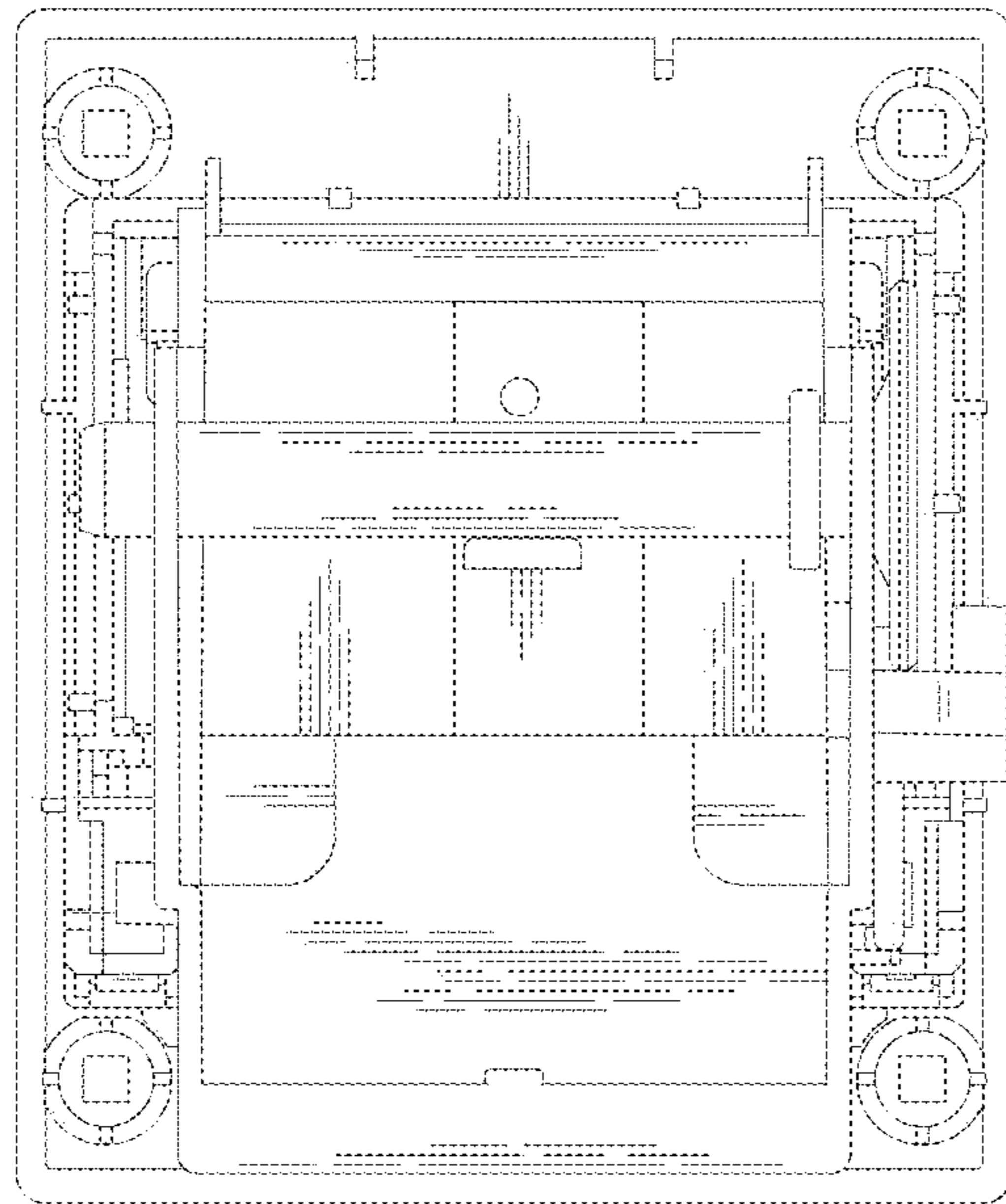


FIG. 4

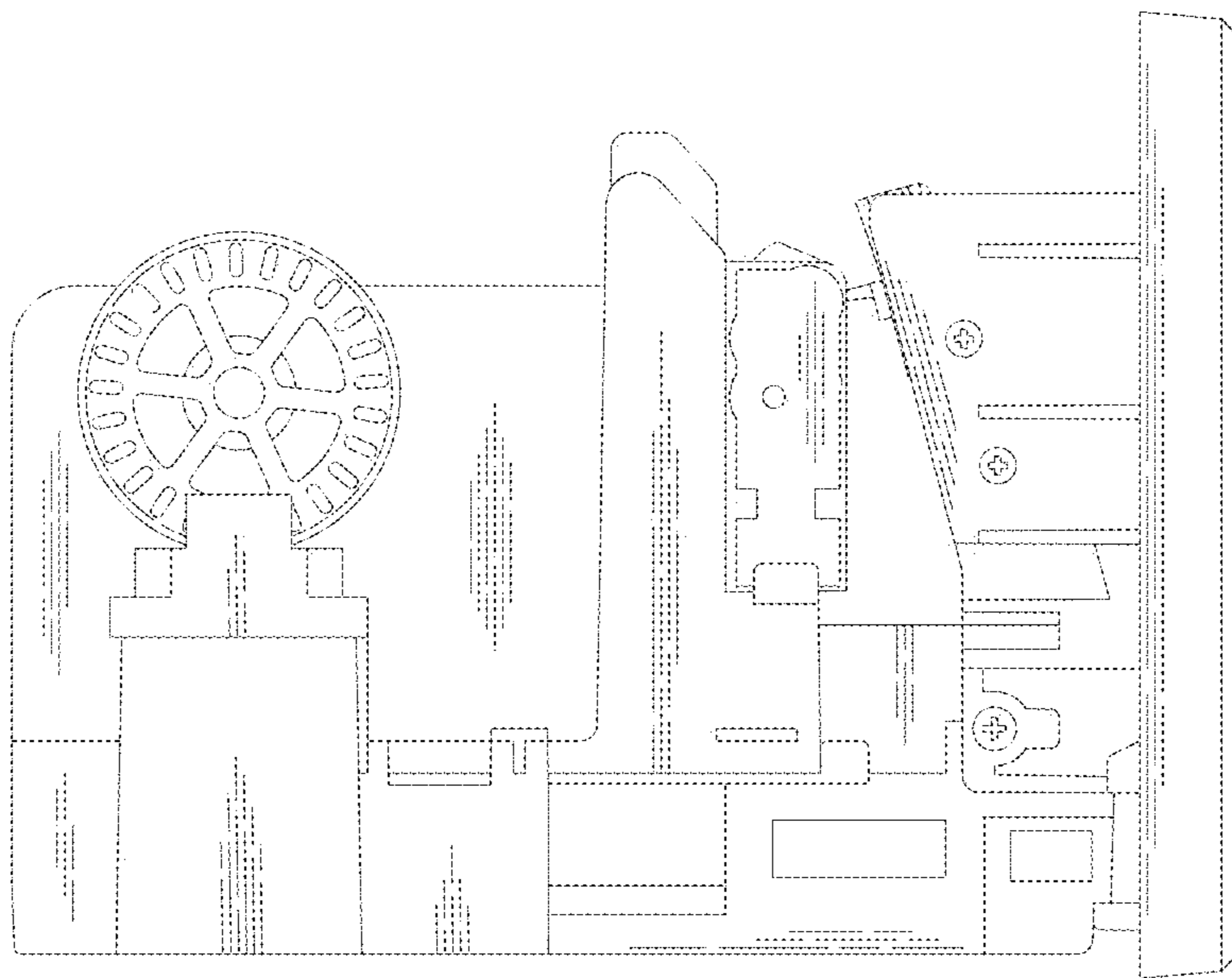


FIG. 5

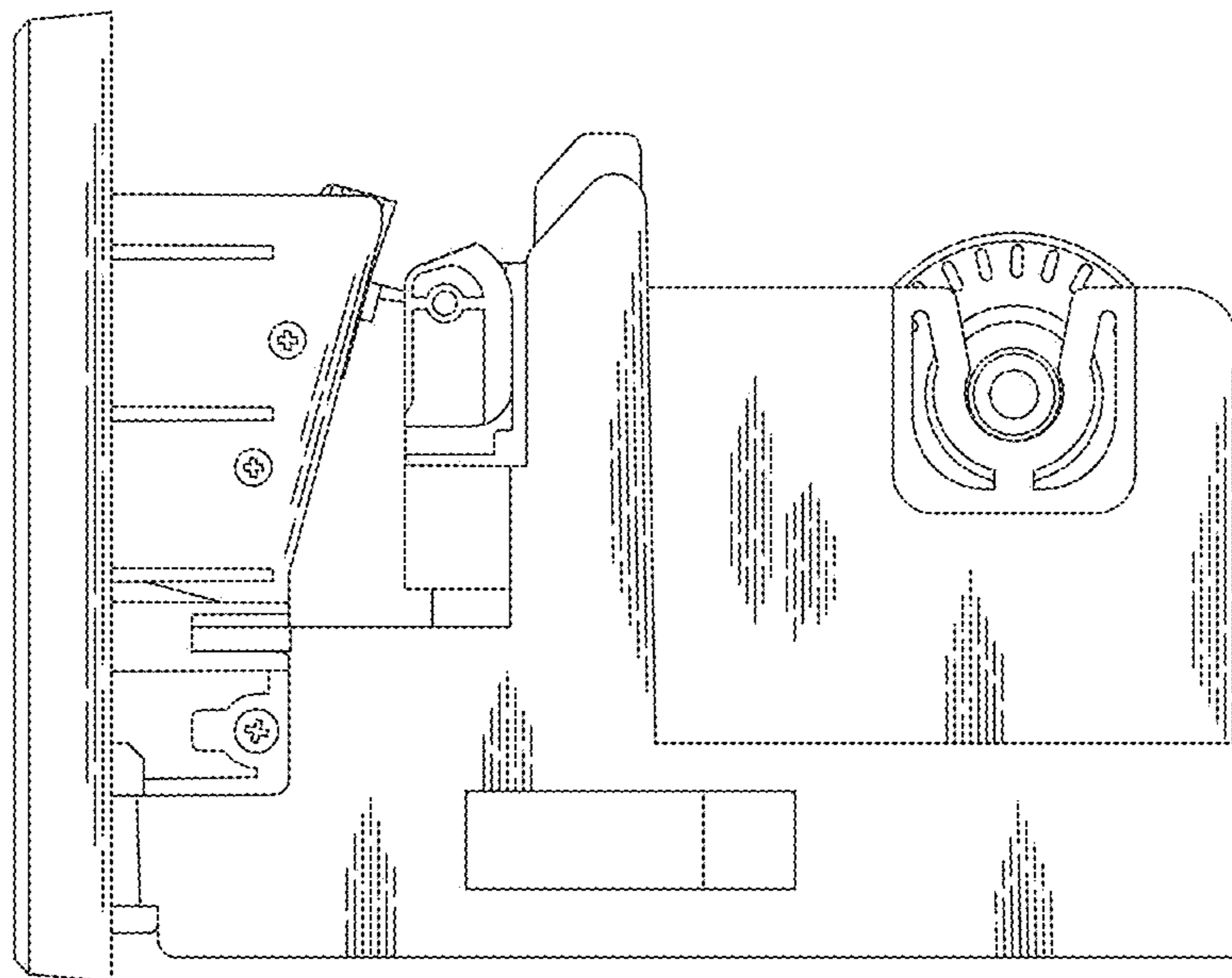


FIG. 6

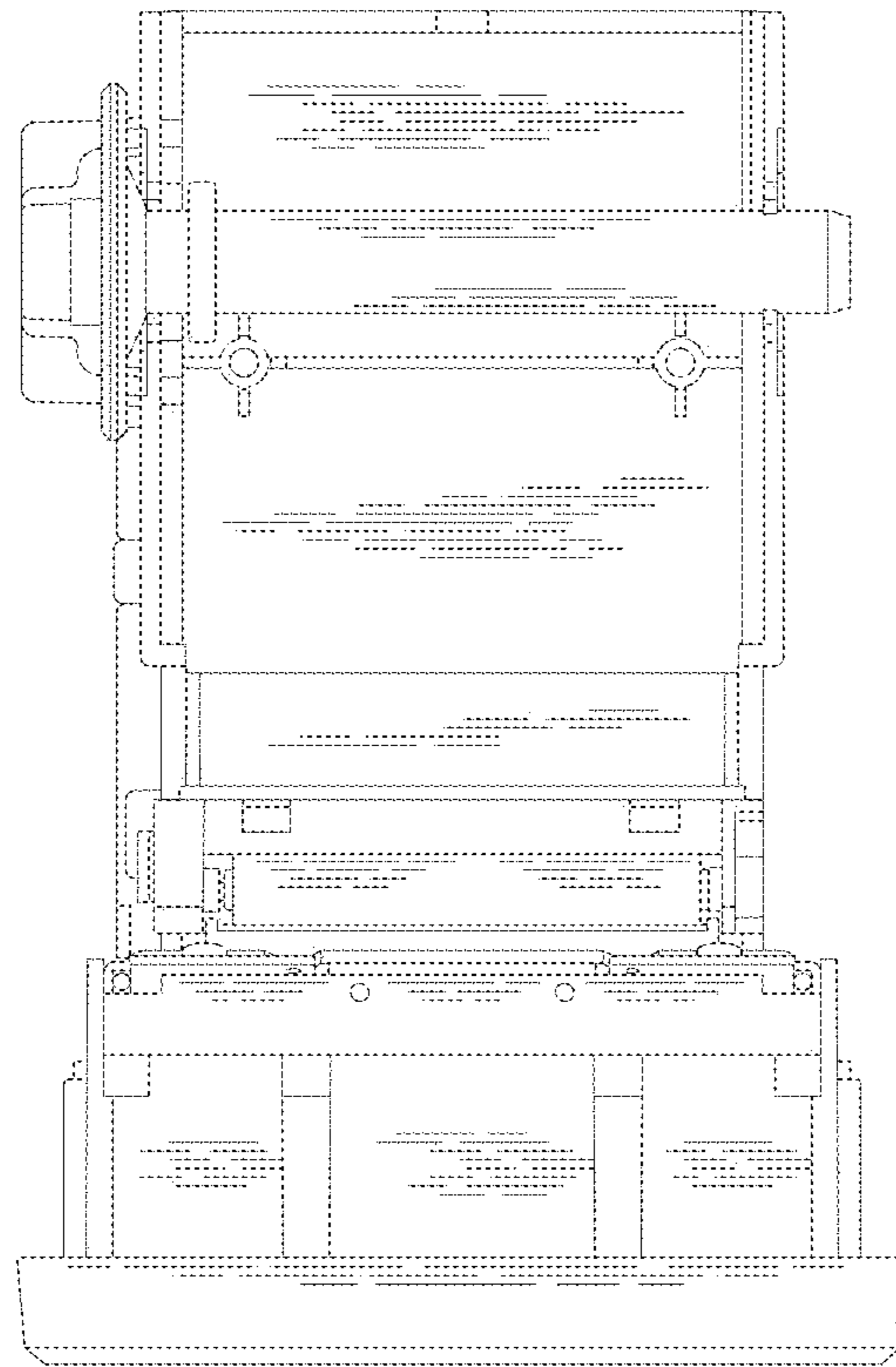


FIG. 7

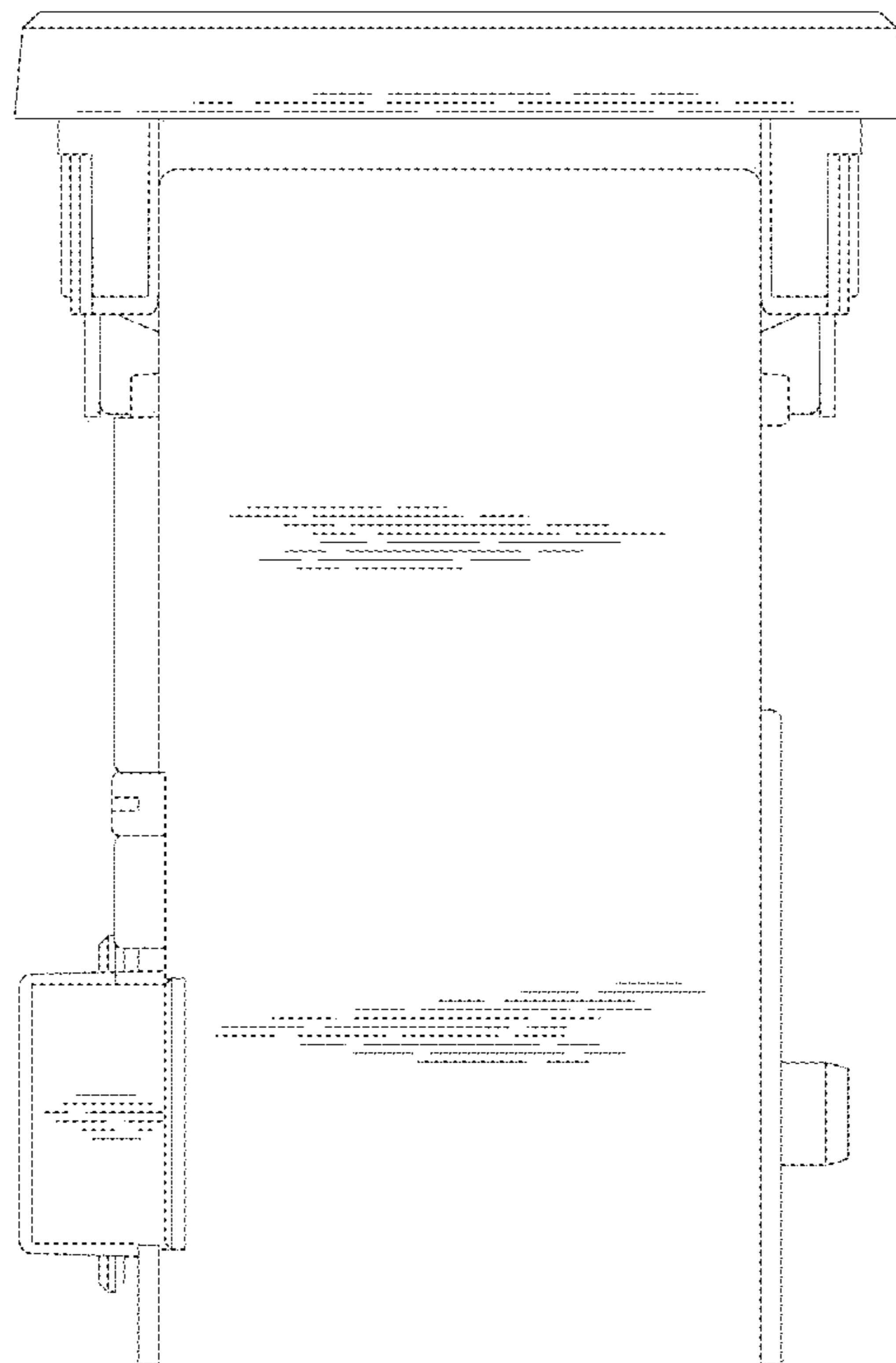


FIG. 8