



US00D973757S

(12) **United States Design Patent**
Wang et al.

(10) **Patent No.:** **US D973,757 S**
(45) **Date of Patent:** **** Dec. 27, 2022**

- (54) **QUICK RELEASE PLATE**
- (71) Applicant: **SHENZHEN NEEWER TECHNOLOGY CO. LTD**, Shenzhen (CN)
- (72) Inventors: **Jun Wang**, Shenzhen (CN); **Yan Ke**, Shenzhen (CN)
- (73) Assignee: **SHENZHEN NEEWER TECHNOLOGY CO. LTD**, Shenzhen (CN)

(**) Term: **15 Years**

(21) Appl. No.: **29/847,246**

(22) Filed: **Jul. 22, 2022**

(51) **LOC (13) Cl.** **16-05**

(52) **U.S. Cl.**
USPC **D16/245**

(58) **Field of Classification Search**
 USPC D16/208–209, 219, 237–250; D14/253
 CPC G03B 17/02; G03B 17/56; G03B 17/04;
 G03B 17/561–566; G03B 15/03; H04N
 5/2251; H04N 5/2252; H04N 5/2253;
 H04N 5/2254; G02B 7/02; G02B 7/04;
 G02B 7/14
 See application file for complete search history.

(56) **References Cited**

U.S. PATENT DOCUMENTS

| | | | | | |
|------------|---|---------|--------------|-------|---------|
| D349,717 S | * | 8/1994 | Akaike | | D16/244 |
| D483,789 S | | 12/2003 | Dordick | | |
| D602,974 S | * | 10/2009 | Zen | | D16/245 |
| D604,352 S | * | 11/2009 | Carlesso | | D16/245 |
| D621,865 S | * | 8/2010 | Chidester | | D16/245 |
| D649,576 S | * | 11/2011 | Jannard | | D16/242 |
| D674,807 S | | 1/2013 | Derry et al. | | |
| D709,940 S | | 7/2014 | Racah et al. | | |

| | | | | |
|------------|---|--------|----------------|---------------|
| D712,907 S | | 9/2014 | Derry et al. | |
| D725,645 S | | 3/2015 | Schulter | |
| D752,677 S | | 3/2016 | Fliger | |
| D765,646 S | * | 9/2016 | Deng | D14/253 |
| D798,305 S | | 9/2017 | Wengreen | |
| D798,306 S | | 9/2017 | Wengreen | |
| D851,161 S | | 6/2019 | DiCarlo et al. | |
| D852,871 S | | 7/2019 | Wilson | |
| D910,108 S | * | 2/2021 | Yuan | D16/237 |
| D915,869 S | | 4/2021 | Seekins | |
| D947,928 S | * | 4/2022 | Zeng | D16/237 |
| D957,508 S | | 7/2022 | Möller et al. | |

* cited by examiner

Primary Examiner — Ramzi Almatrahi
(74) *Attorney, Agent, or Firm* — Westbridge IP LLC

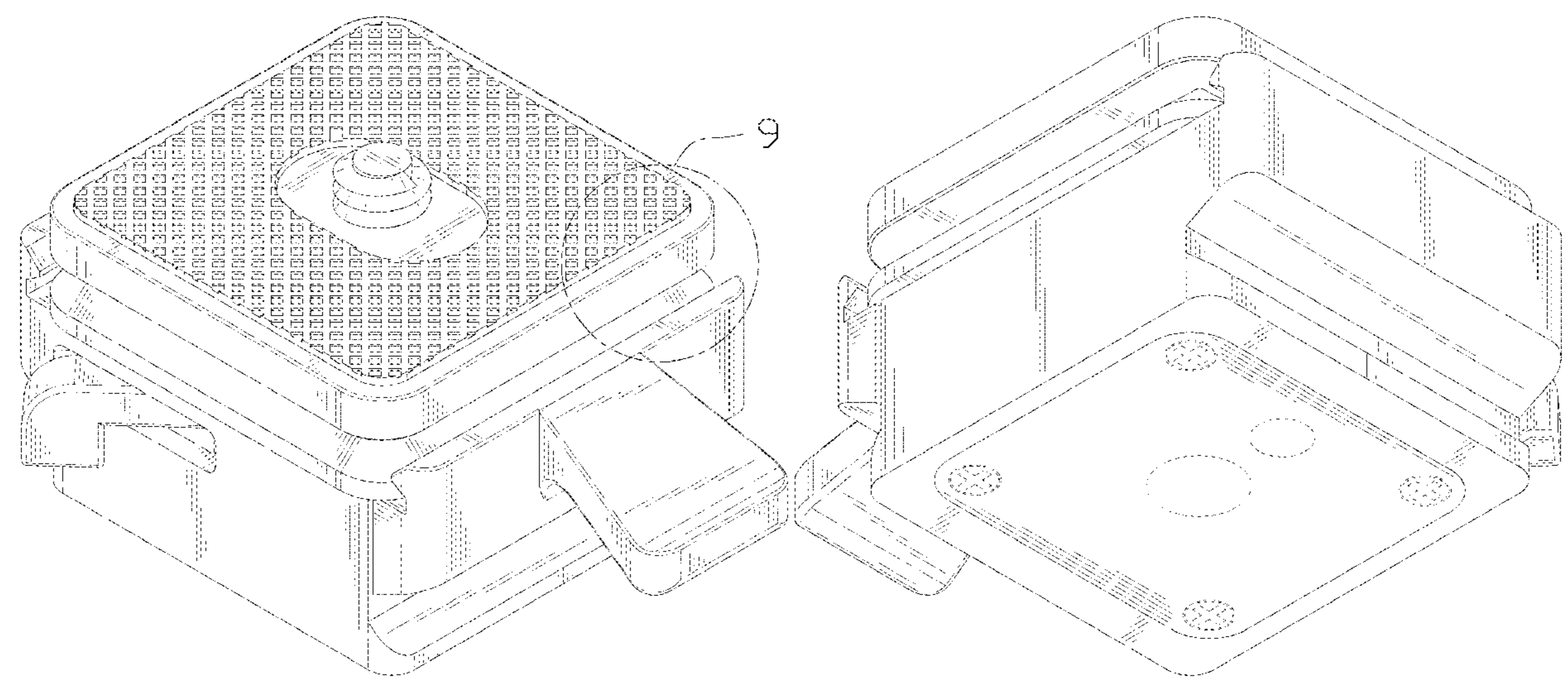
(57) **CLAIM**

The ornamental design for a quick release plate, as shown and described.

DESCRIPTION

FIG. 1 is a top perspective view of a quick release plate showing our new design;
 FIG. 2 is a bottom perspective view thereof;
 FIG. 3 is a front elevation view thereof;
 FIG. 4 is a rear elevation view thereof;
 FIG. 5 is a left side elevation view thereof;
 FIG. 6 is a right side elevation view thereof;
 FIG. 7 is a top plan view thereof;
 FIG. 8 is a bottom plan view thereof;
 FIG. 9 is an enlarged view of portion 9 shown in FIG. 1;
 FIG. 10 is an exploded top perspective view thereof; and,
 FIG. 11 is an exploded top perspective view thereof; shown with the quick release plate in an alternate configuration.
 The broken lines depict portions of the quick release plate that form no part of the claimed design. The dot-dash broken lines encircling an enlargement portion of the design forms no part of the claimed design.

1 Claim, 11 Drawing Sheets



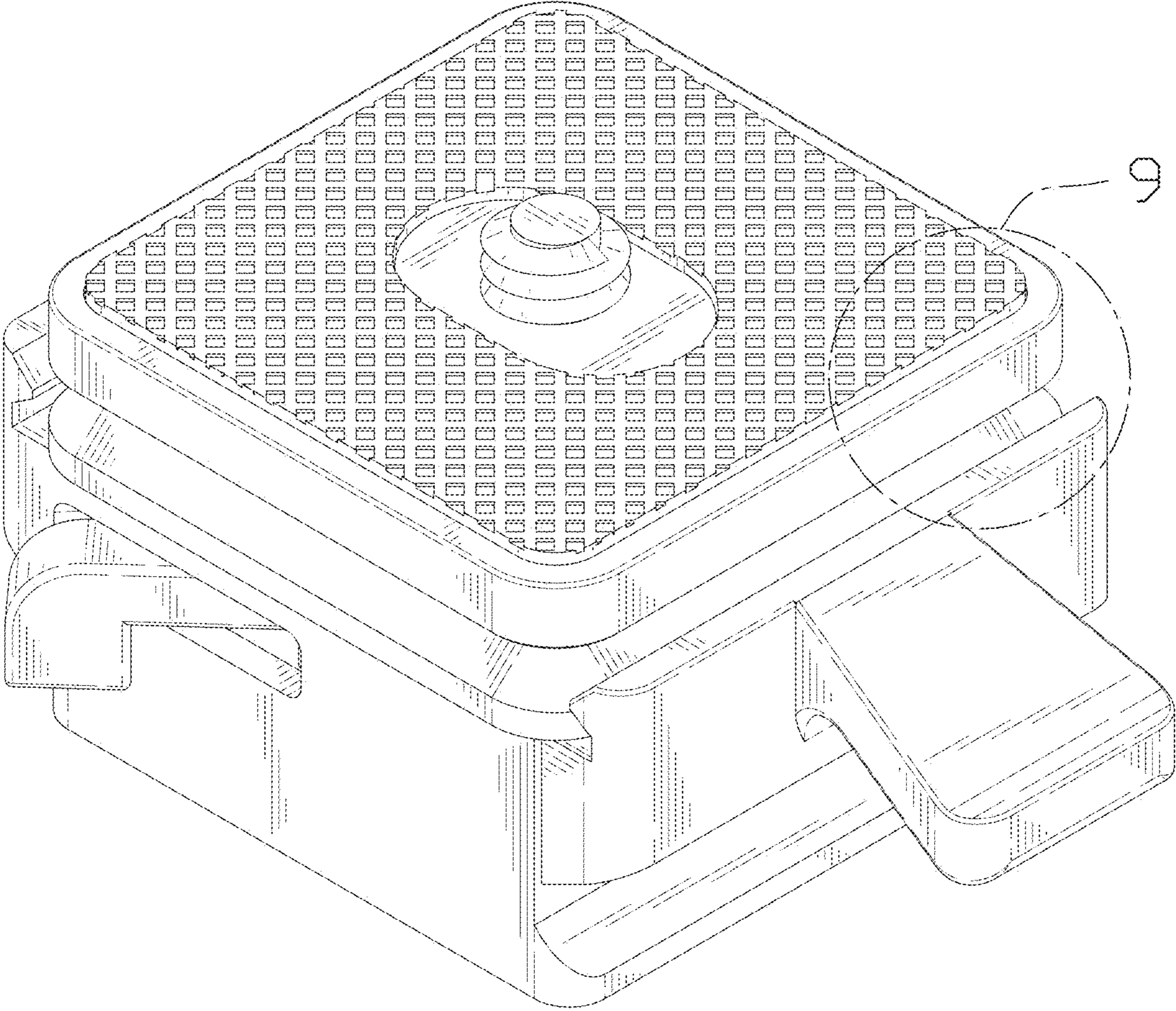


FIG. 1

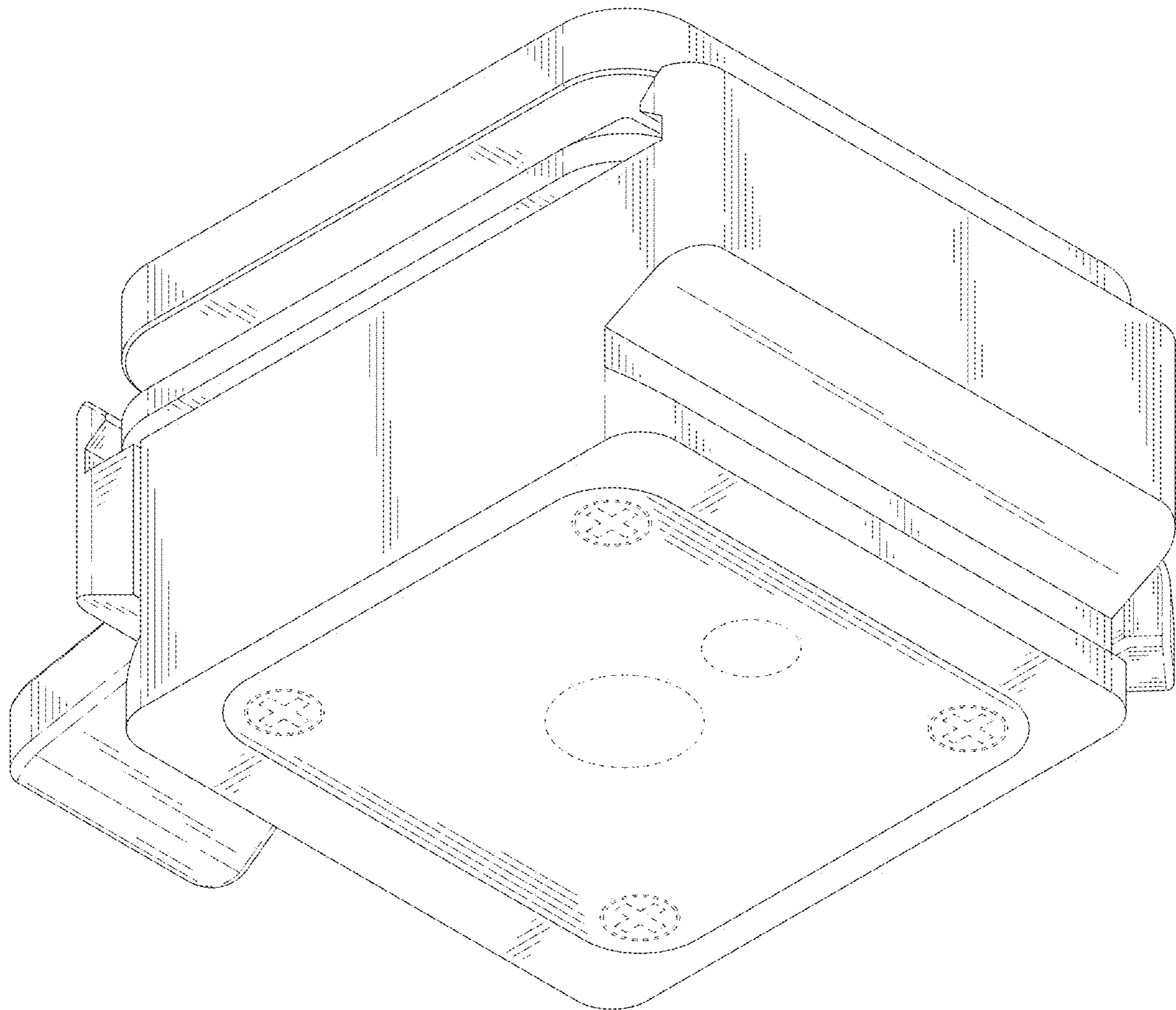


FIG. 2

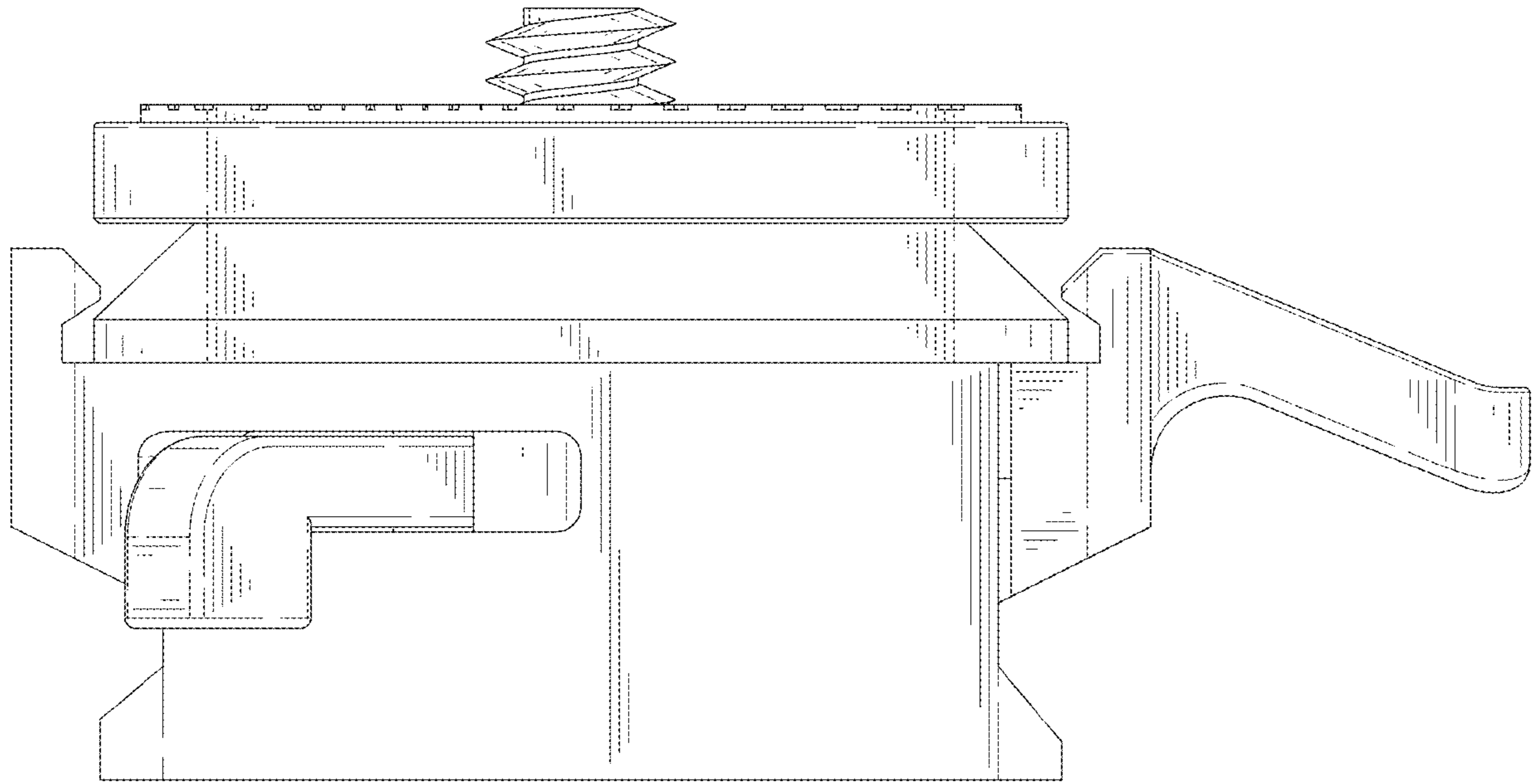


FIG. 3

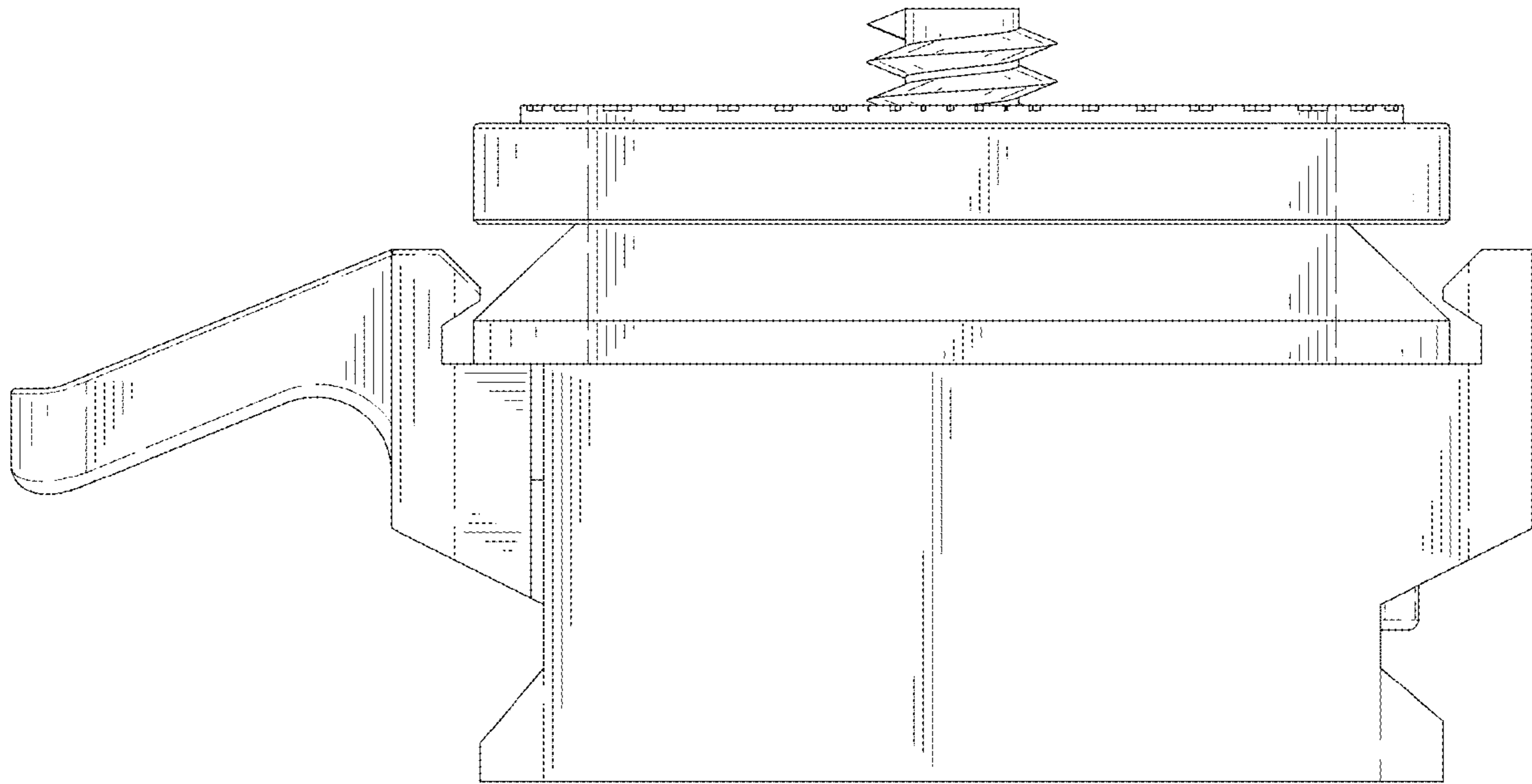


FIG. 4

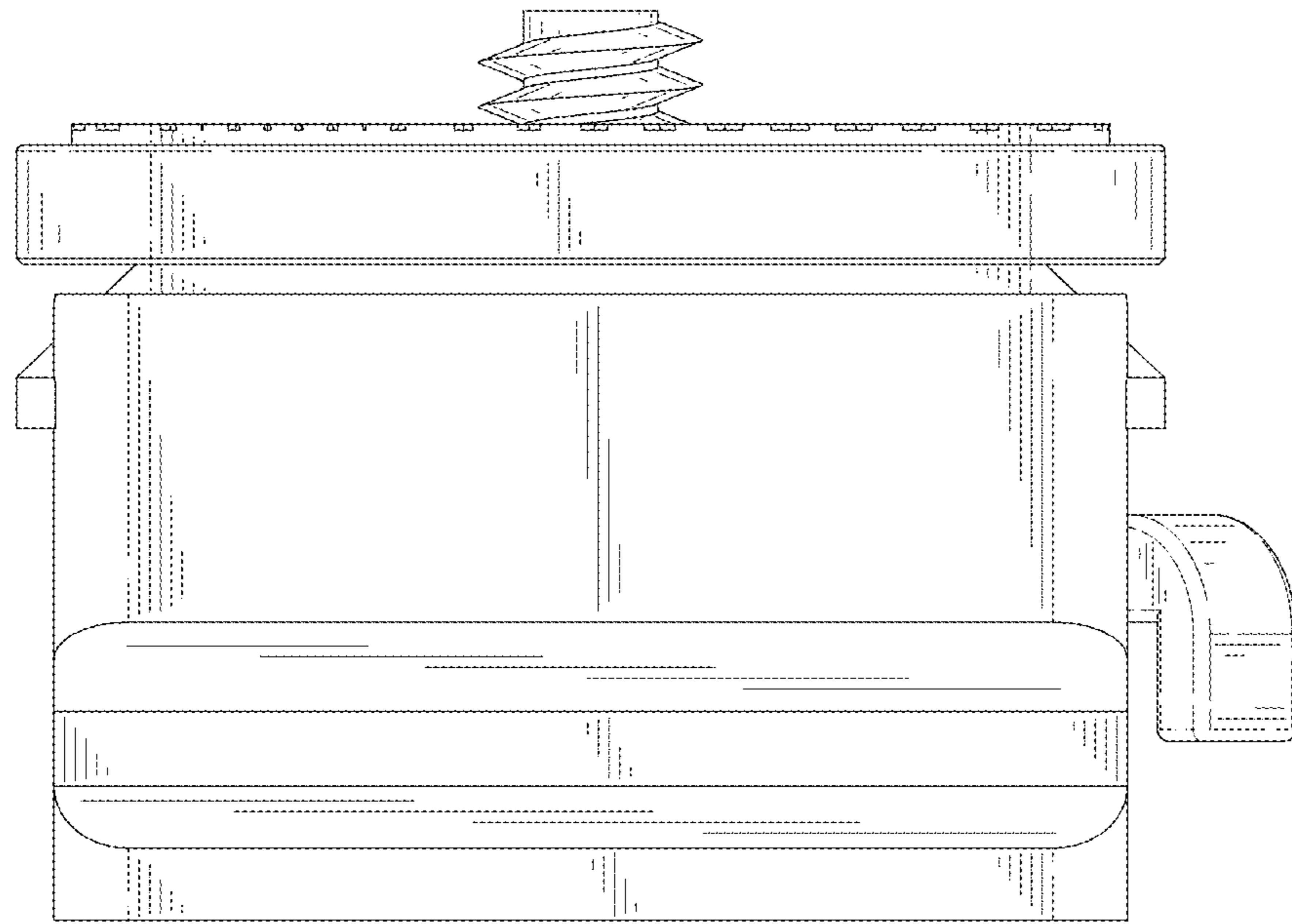


FIG. 5

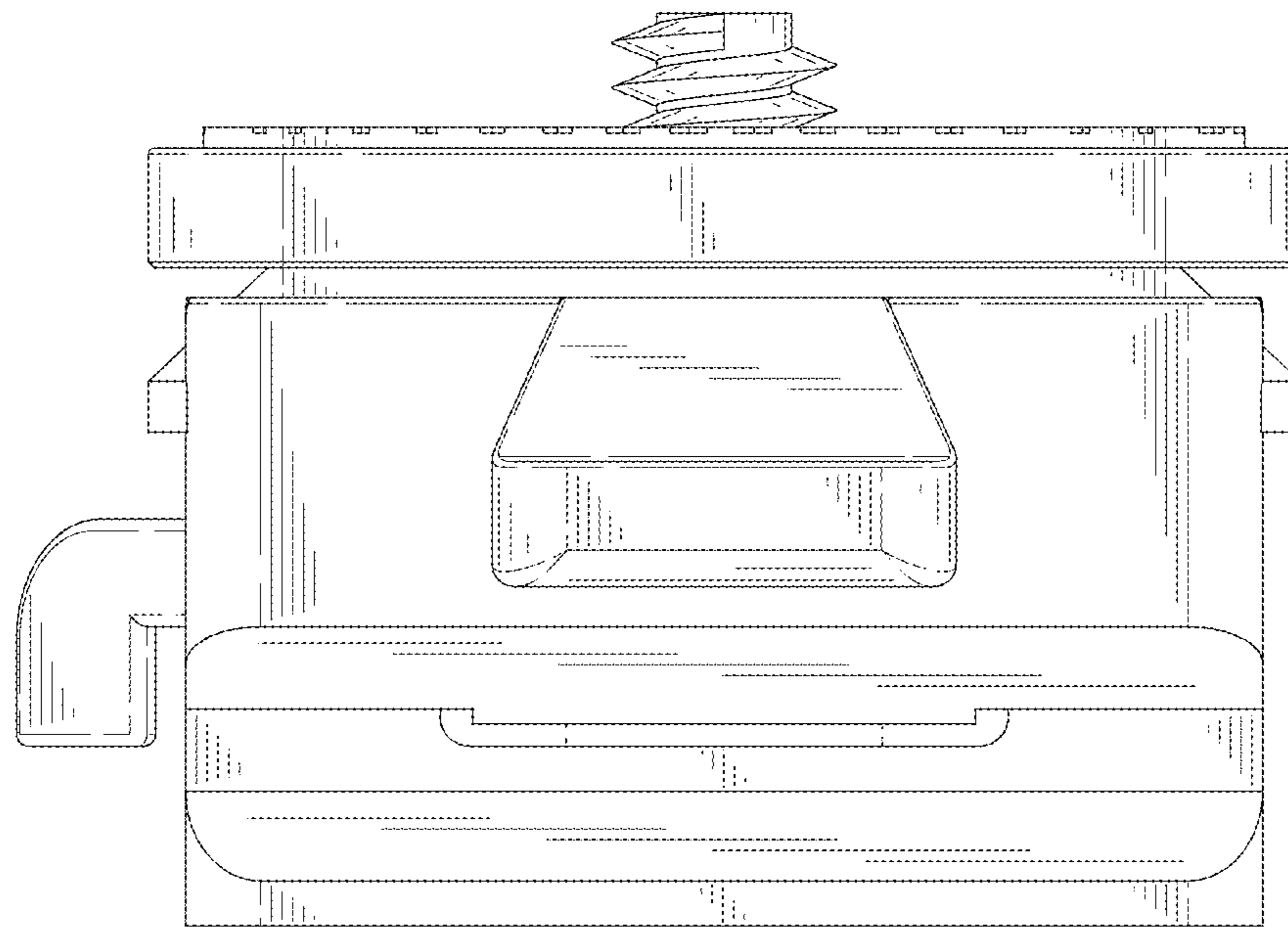


FIG. 6

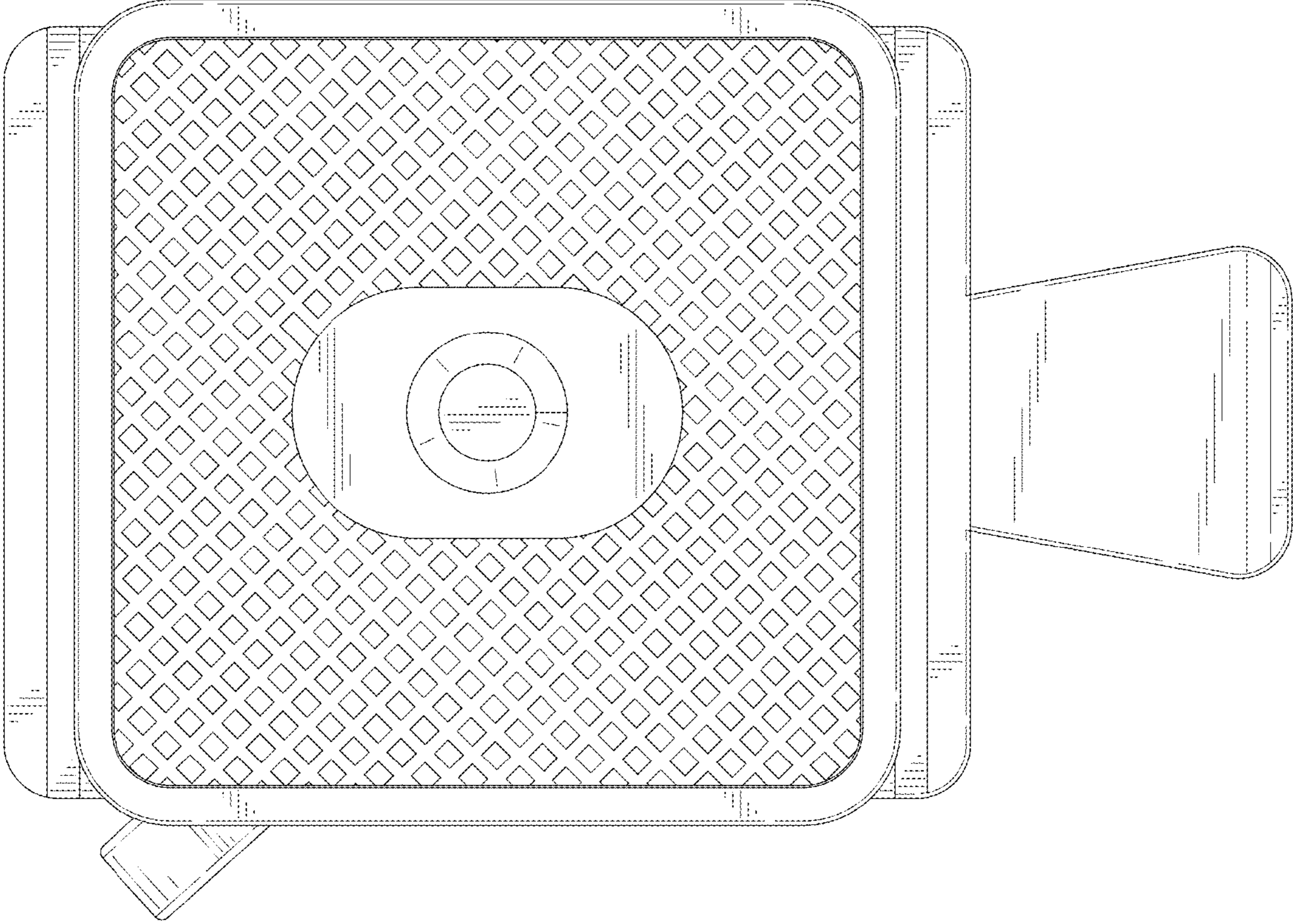


FIG. 7

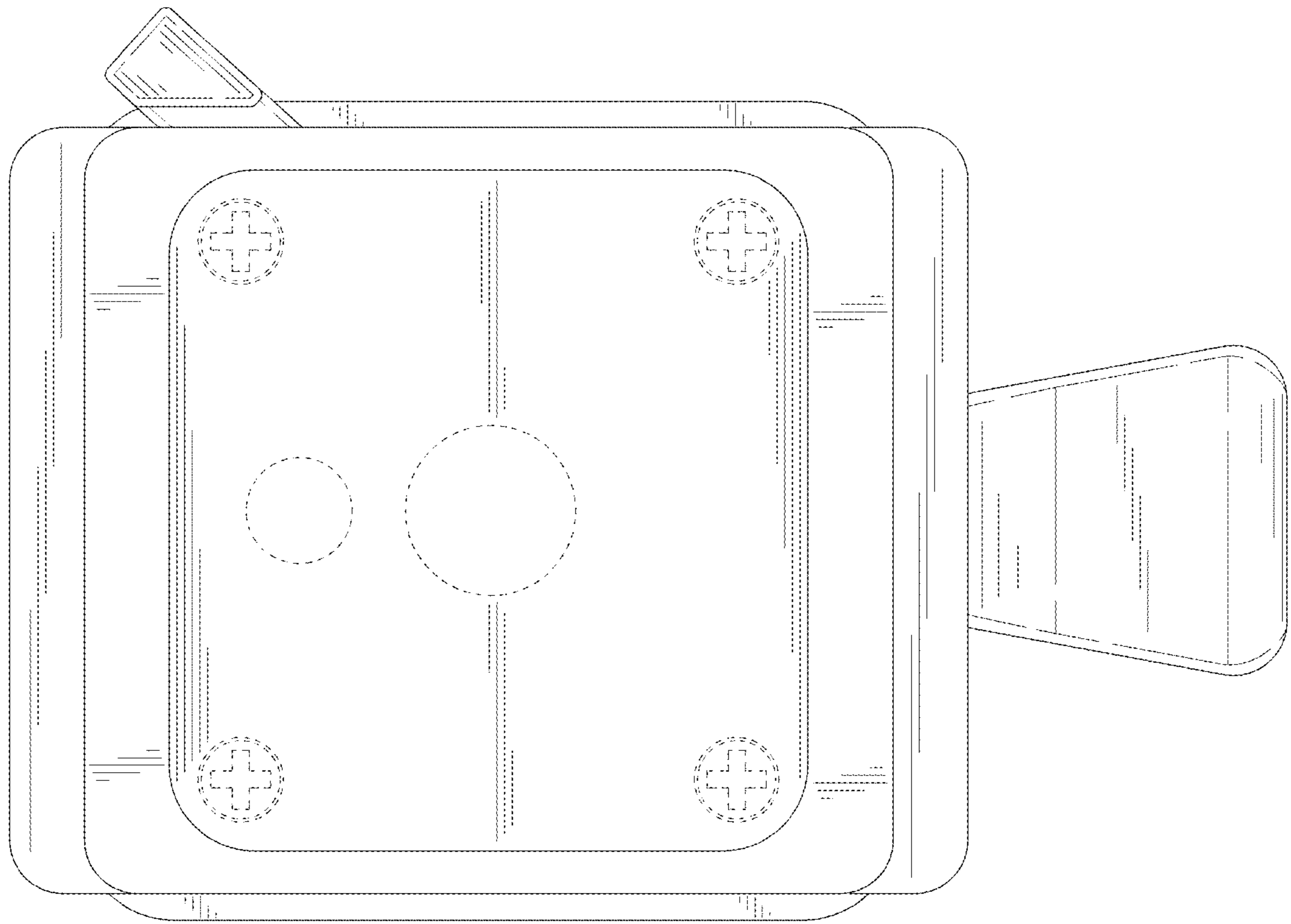


FIG. 8

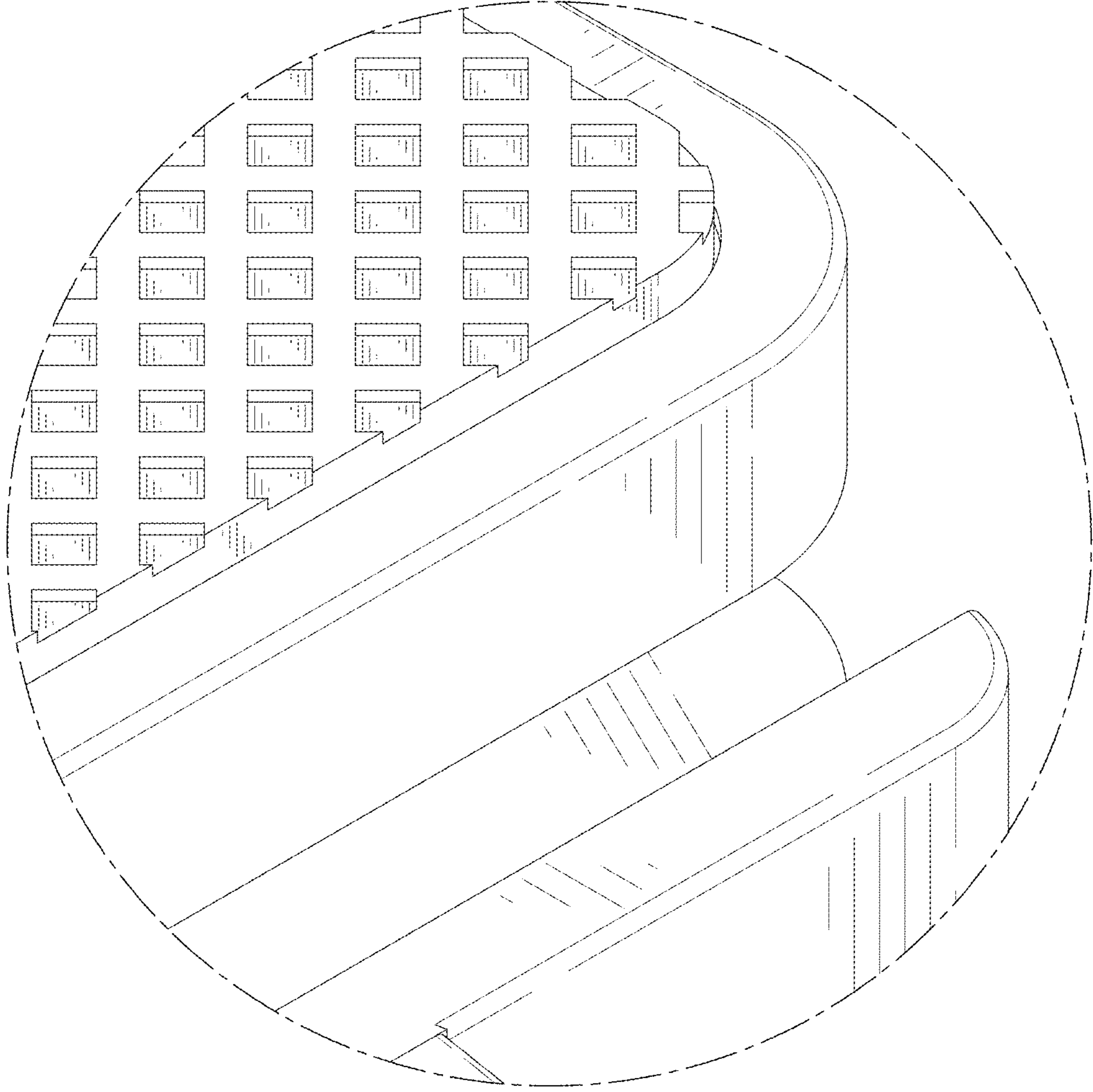


FIG. 9

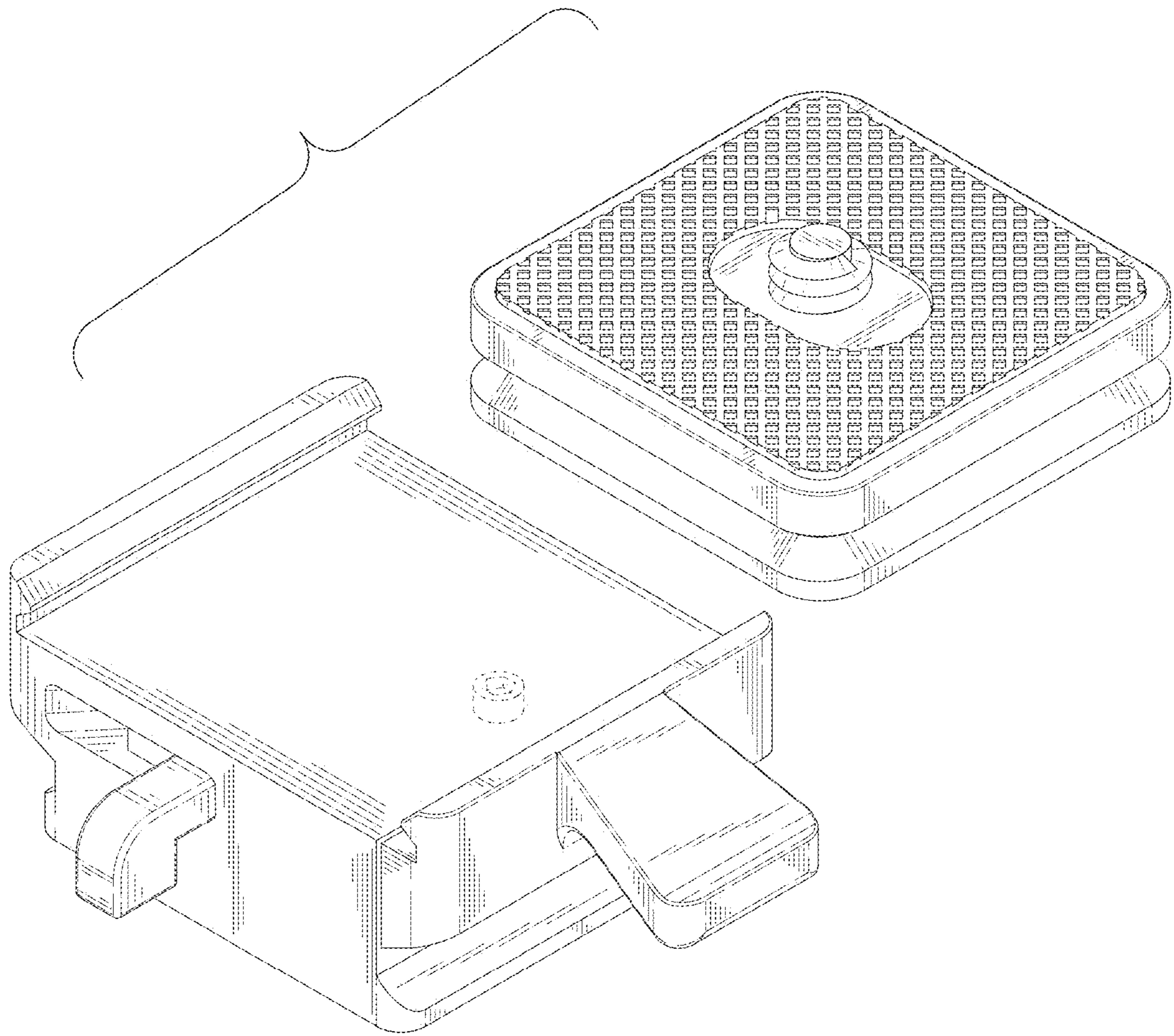


FIG. 10

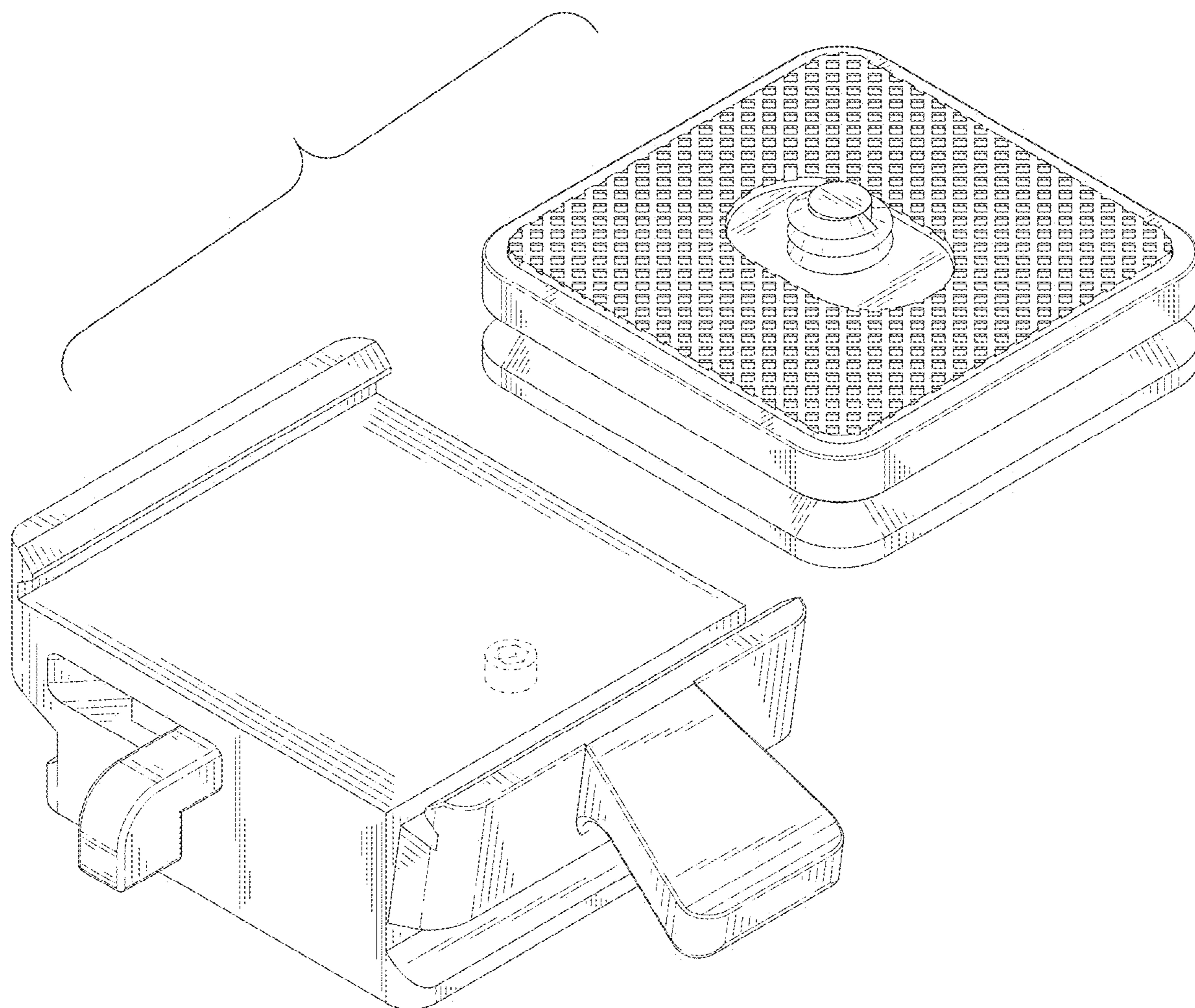


FIG. 11