



US00D973756S

(12) **United States Design Patent**
Wang et al.

(10) **Patent No.:** **US D973,756 S**
(45) **Date of Patent:** **** Dec. 27, 2022**

- (54) **TRIPOD**
- (71) Applicant: **Shenzhen Xingyingda Industry Co., Ltd., Shenzhen (CN)**
- (72) Inventors: **Jun Wang, Shenzhen (CN); Yan Ke, Shenzhen (CN)**
- (73) Assignee: **Shenzhen Xingyingda Industry Co., Ltd., Shenzhen (CN)**
- (**) Term: **15 Years**
- (21) Appl. No.: **29/845,864**
- (22) Filed: **Jul. 11, 2022**
- (51) **LOC (13) Cl.** **16-05**
- (52) **U.S. Cl.**
USPC **D16/244**
- (58) **Field of Classification Search**
USPC D16/208–209, 219, 237, 242–250
CPC G03B 17/02; G03B 17/56; G03B 17/04;
G03B 17/561–566; G03B 15/03; H04N
5/2251; H04N 5/2252; H04N 5/2253;
H04N 5/2254; G02B 7/02; G02B 7/04;
G02B 7/14
See application file for complete search history.

(56) **References Cited**

U.S. PATENT DOCUMENTS

D624,578 S	*	9/2010	Smith	D16/242
D670,752 S	*	11/2012	Barber	D16/244
D720,384 S	*	12/2014	Holmen	D16/244
D857,085 S	*	8/2019	Yamaguchi	D16/244
D871,492 S	*	12/2019	Xiao	D16/244
D901,579 S	*	11/2020	Wang	D16/244
D907,106 S	*	1/2021	Li	D16/244
D911,427 S	*	2/2021	Silva Casas	D16/244
D915,495 S	*	4/2021	Zeng	D16/244

D916,173 S	*	4/2021	Zeng	D16/244
D930,223 S		9/2021	Ran		
D930,734 S		9/2021	Li et al.		
D930,886 S		9/2021	Xiao		
D944,883 S		3/2022	Li et al.		
D946,076 S		3/2022	Zhou		
D947,930 S		4/2022	Chen		
D950,634 S		5/2022	Fan		
D951,332 S	*	5/2022	Ni	D16/237
D954,787 S		6/2022	Li		
D956,128 S		6/2022	Lin		

* cited by examiner

Primary Examiner — Ramzi Almatrahi

(74) *Attorney, Agent, or Firm* — Westbridge IP LLC

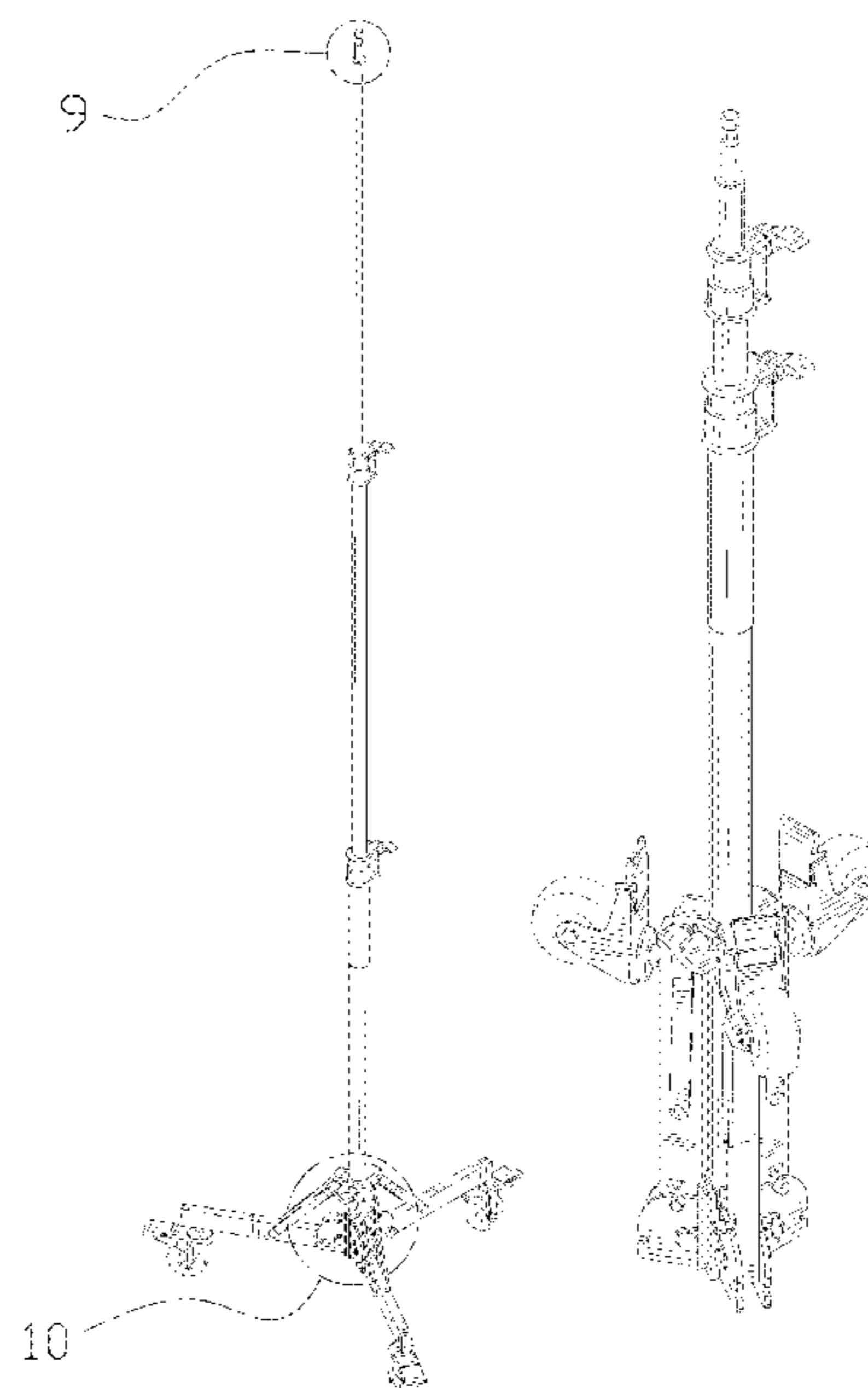
(57) **CLAIM**

The ornamental design for a tripod, as shown and described.

DESCRIPTION

FIG. 1 is a rear perspective view of a tripod showing our new design;
 FIG. 2 is a front perspective view thereof;
 FIG. 3 is a front elevation view thereof;
 FIG. 4 is a rear elevation view thereof;
 FIG. 5 is a left side elevation view thereof;
 FIG. 6 is a right side elevation view thereof;
 FIG. 7 is a top plan view thereof;
 FIG. 8 is a bottom plan view thereof;
 FIG. 9 is an enlarged view of portion 9 shown in FIG. 1;
 FIG. 10 is an enlarged view of portion 10 shown in FIG. 1;
 and,
 FIG. 11 is a rear perspective view thereof, shown with the tripod in a folded configuration.
 The broken lines depict portions of the tripod that form no part of the claimed design. The dot-dash broken lines encircling an enlargement portion of the design forms no part of the claimed design.

1 Claim, 11 Drawing Sheets



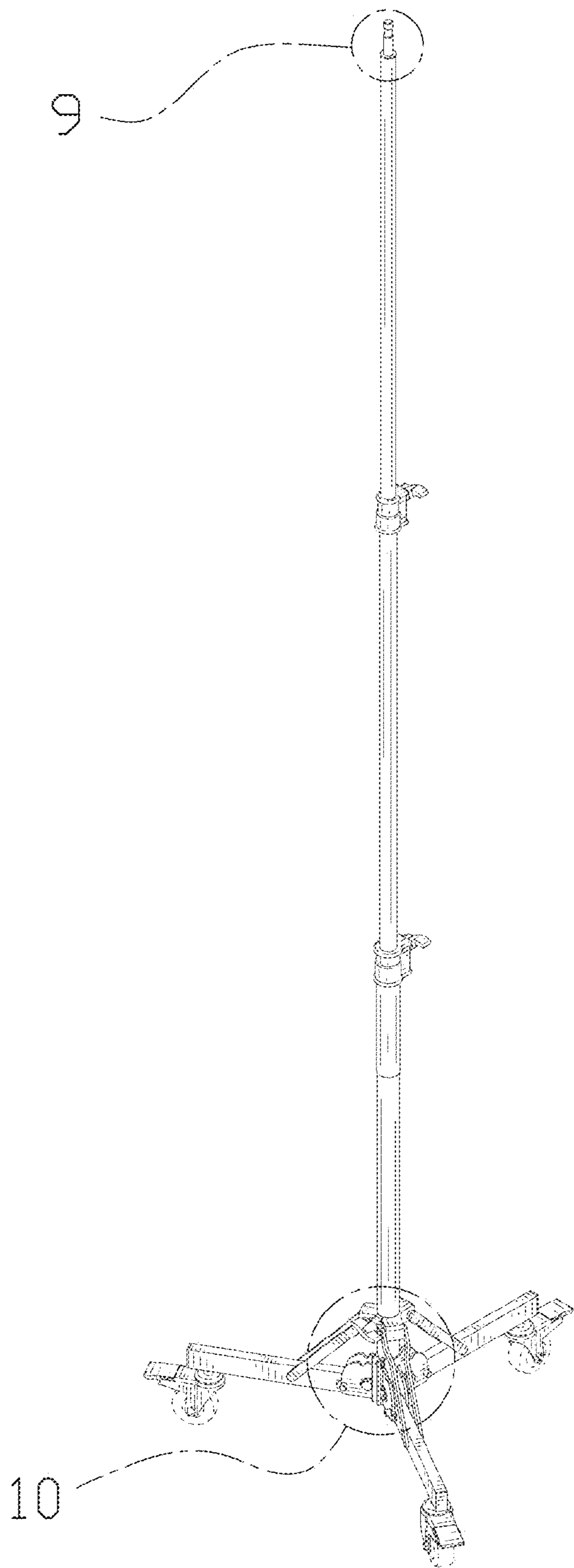


FIG. 1

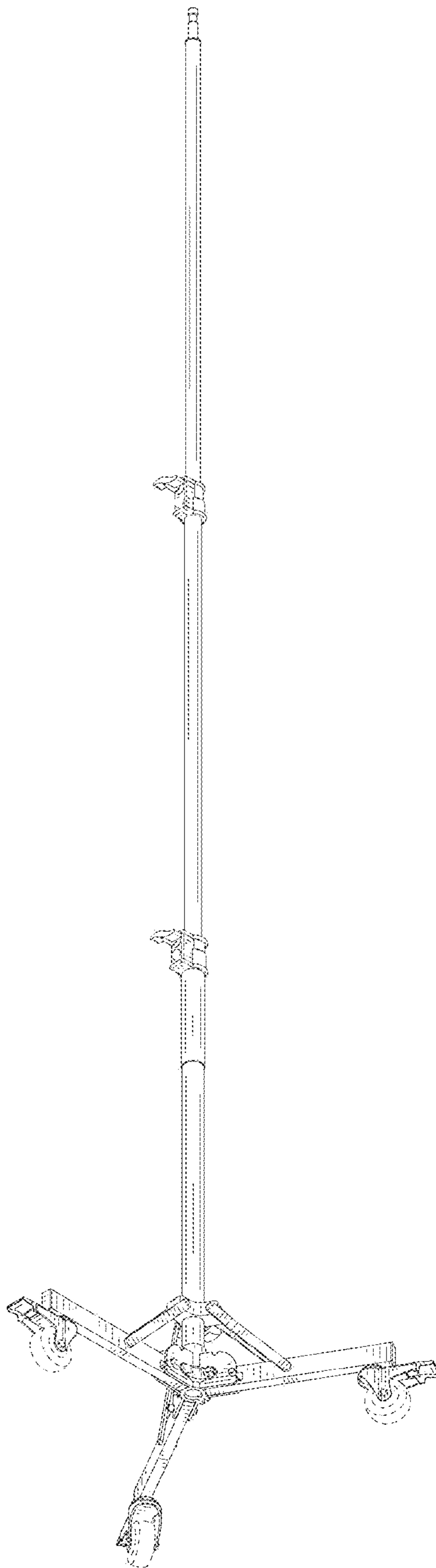


FIG. 2

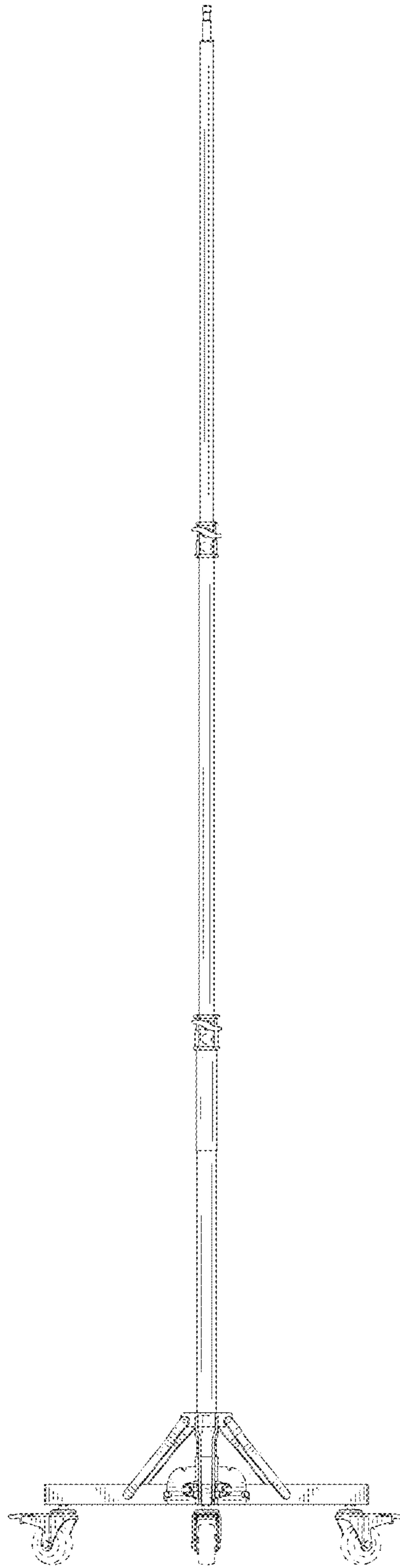


FIG. 3

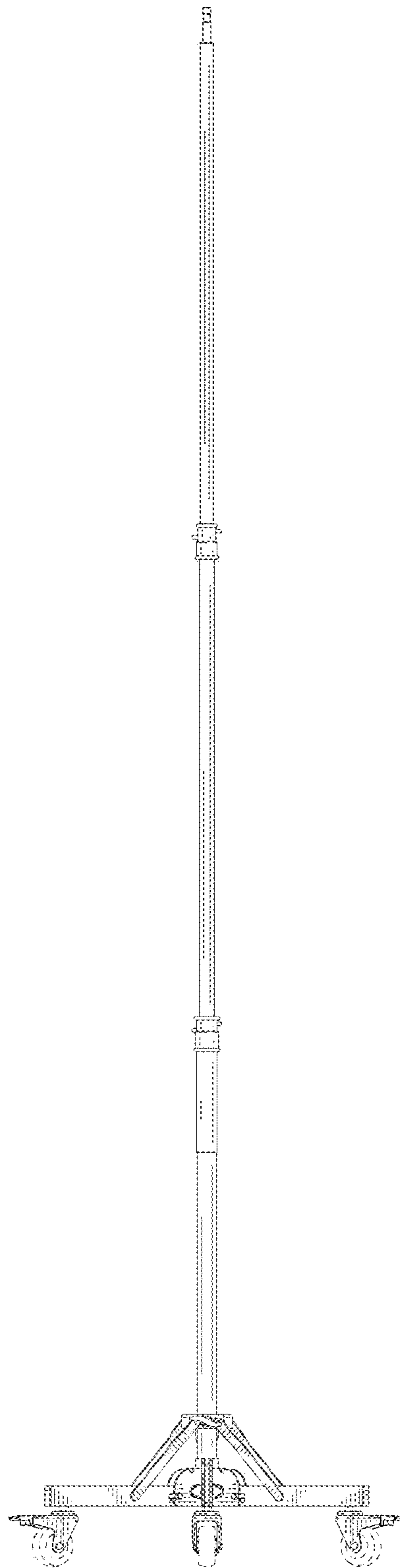


FIG. 4

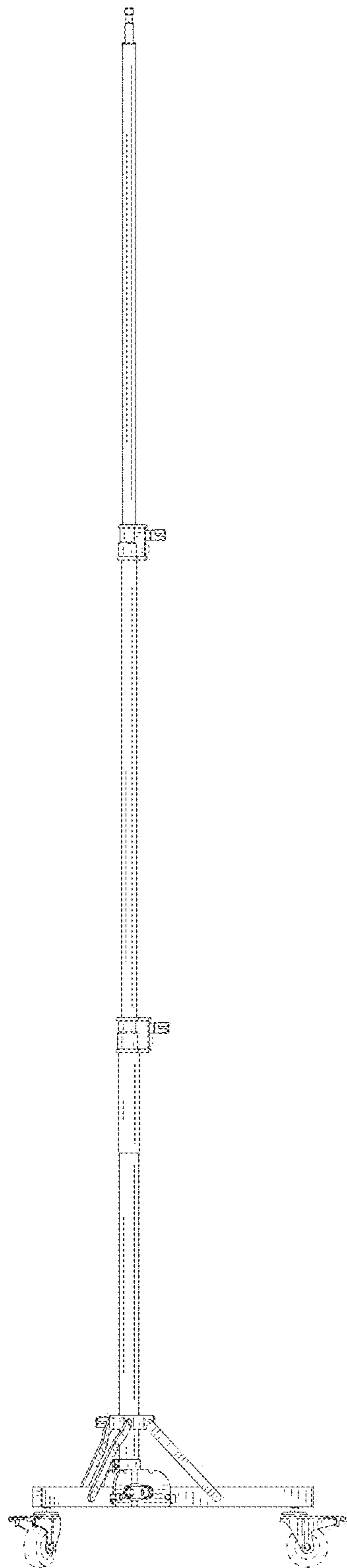


FIG. 5

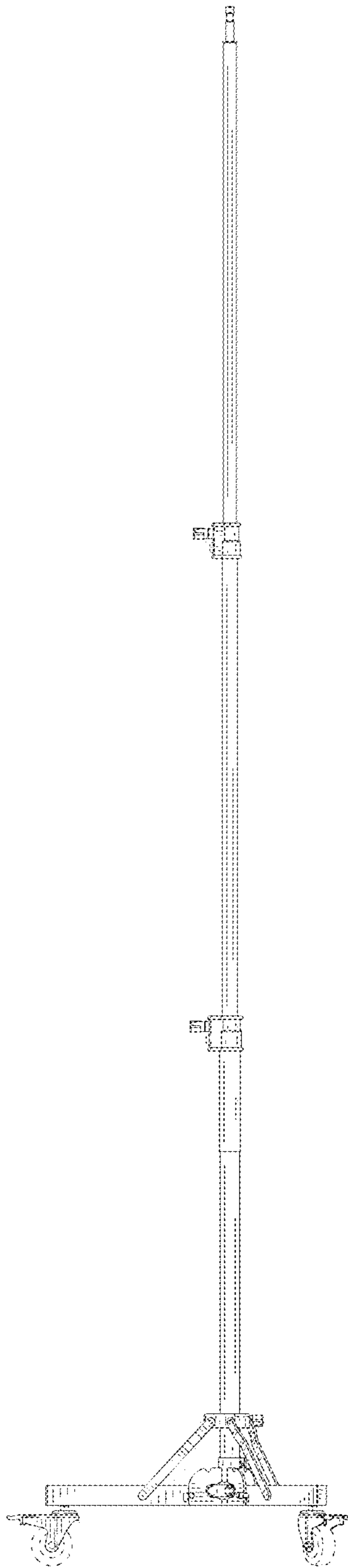


FIG. 6

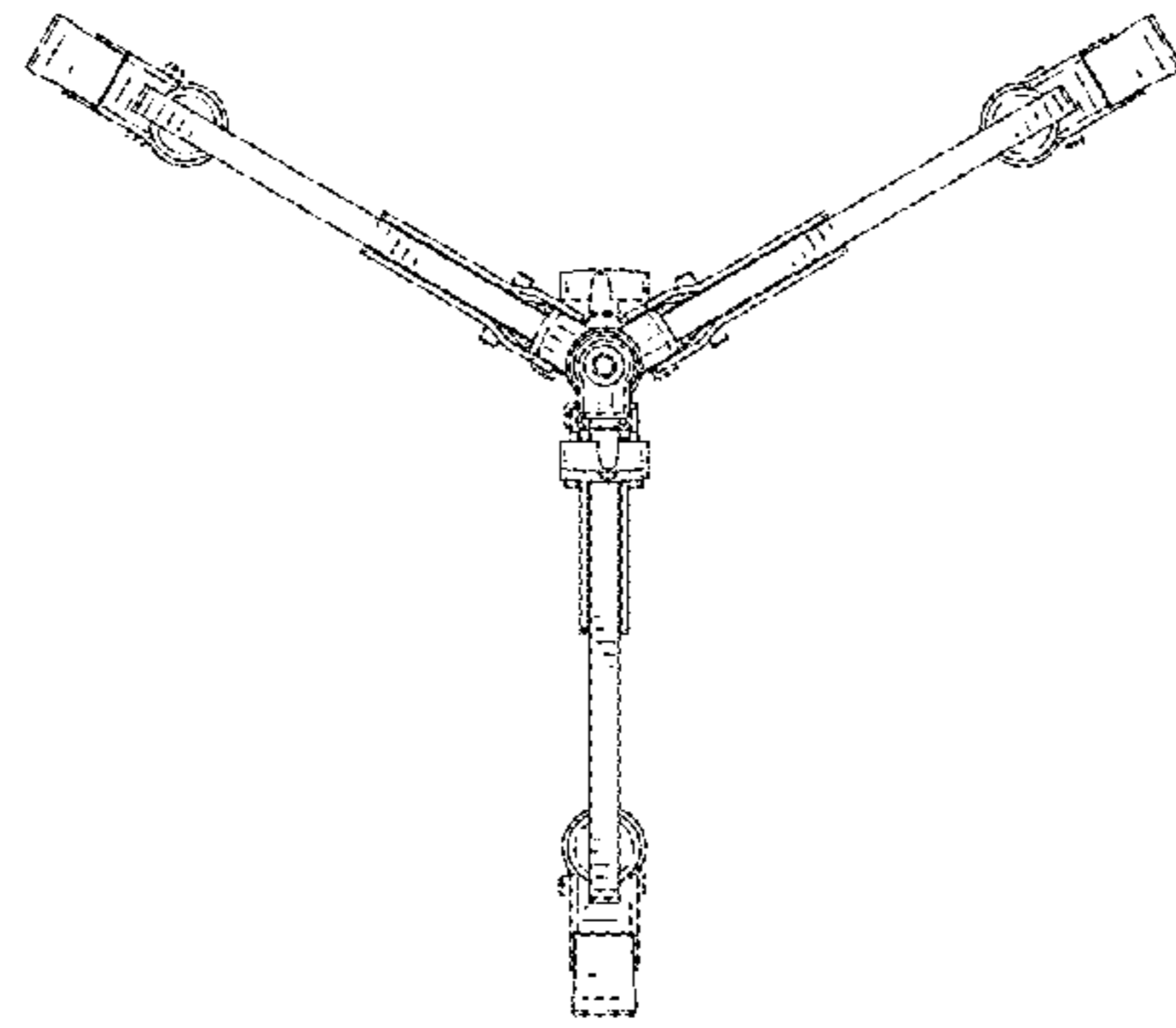


FIG. 7

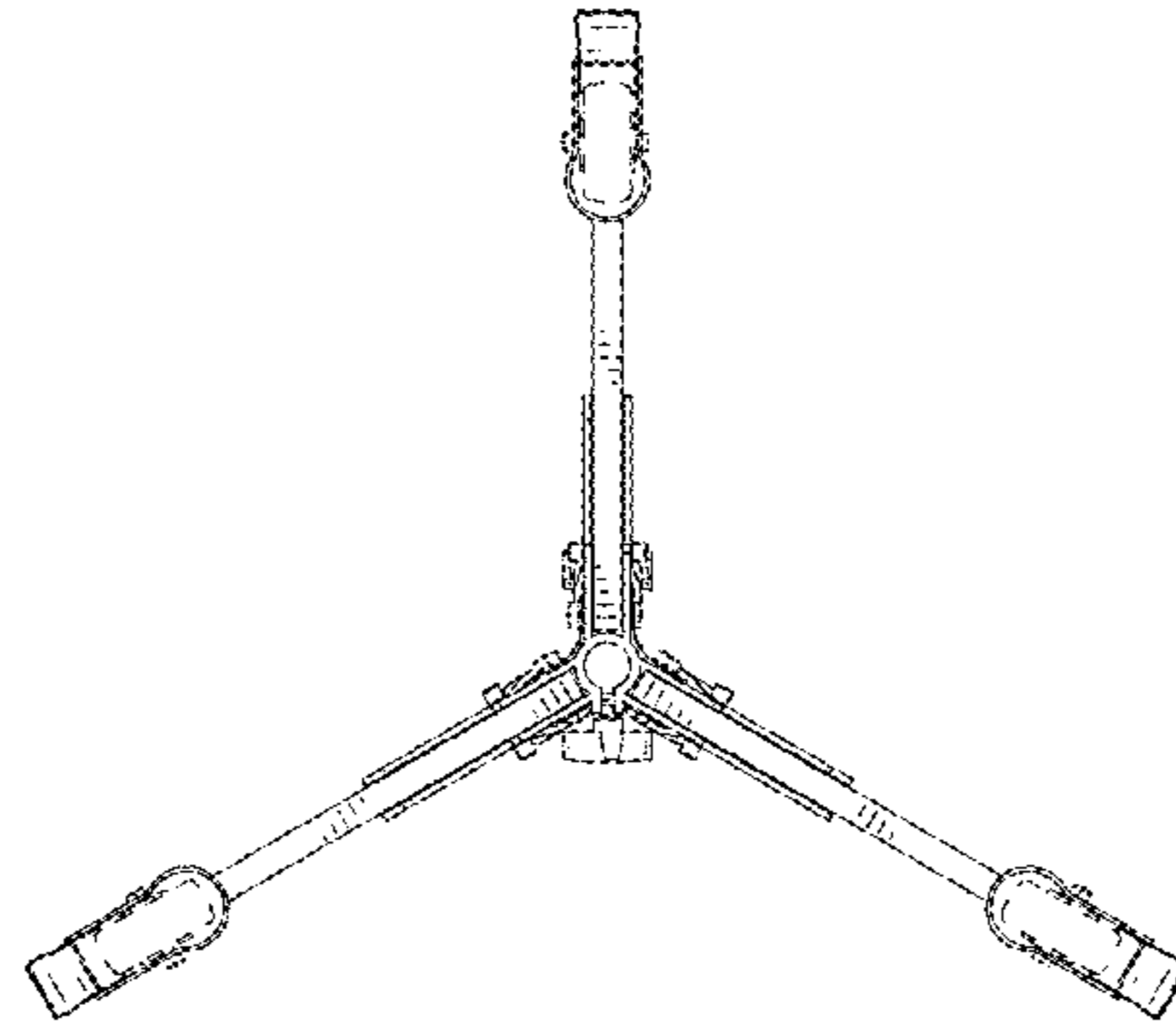


FIG. 8

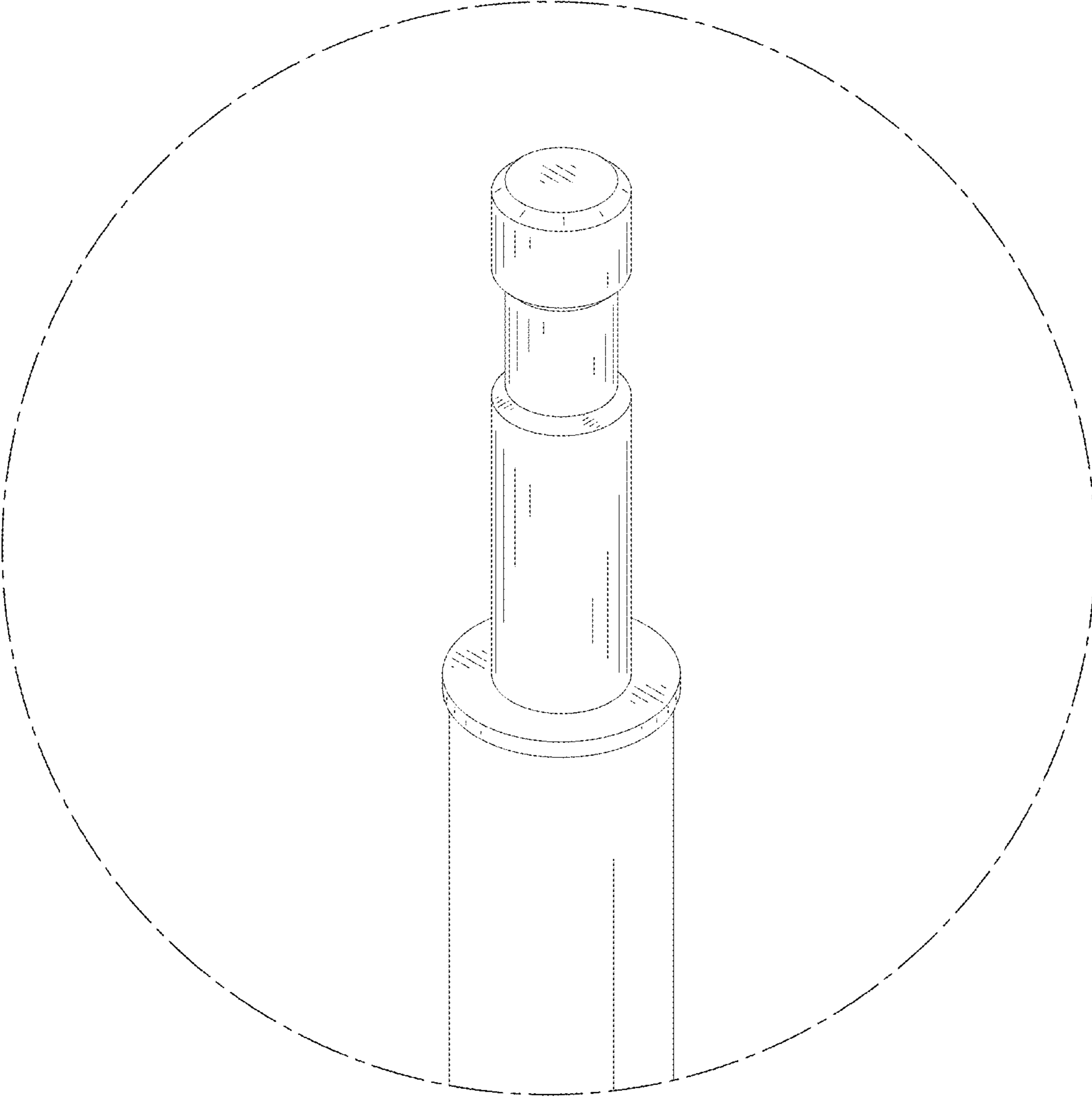


FIG. 9

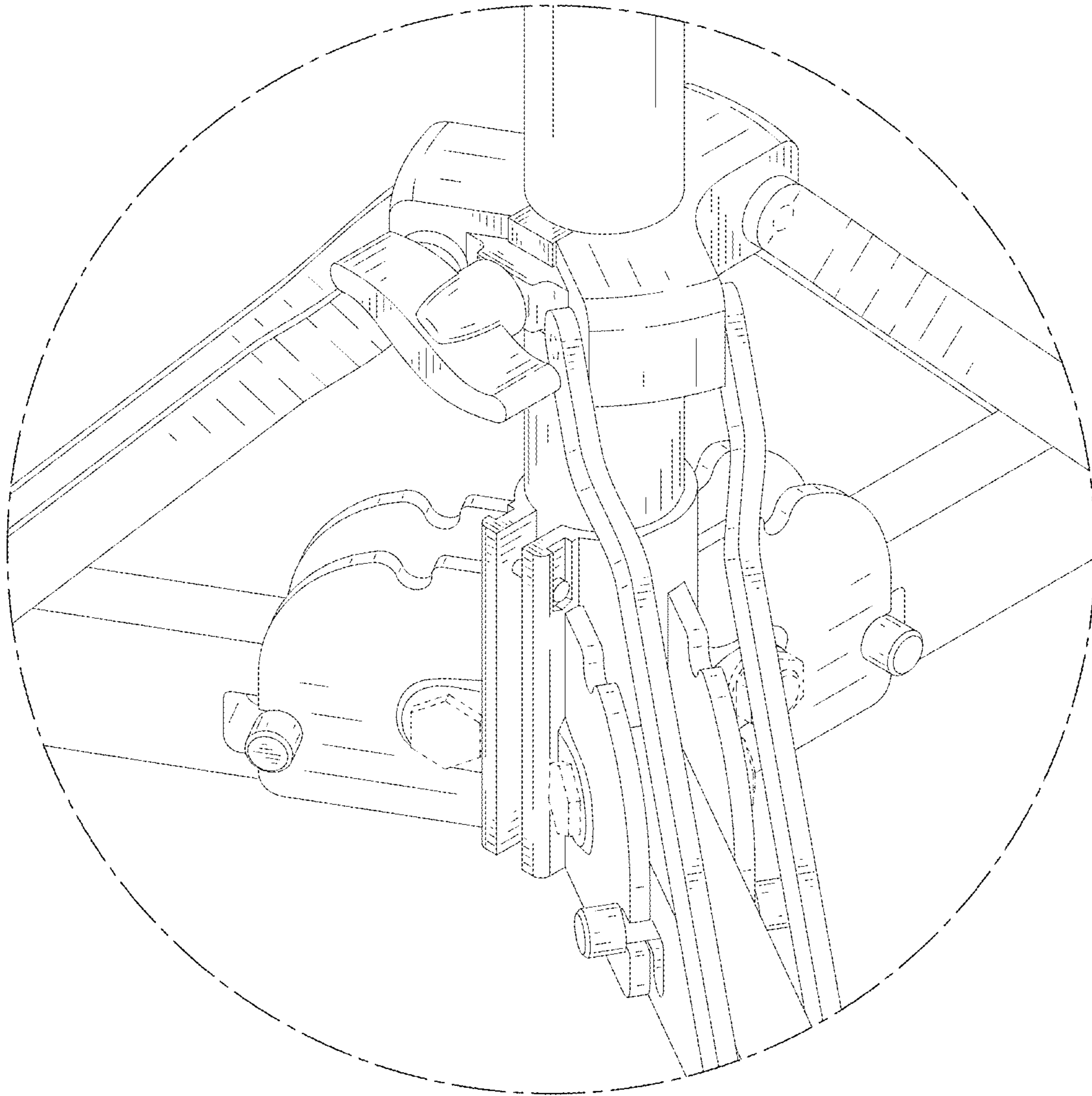


FIG. 10

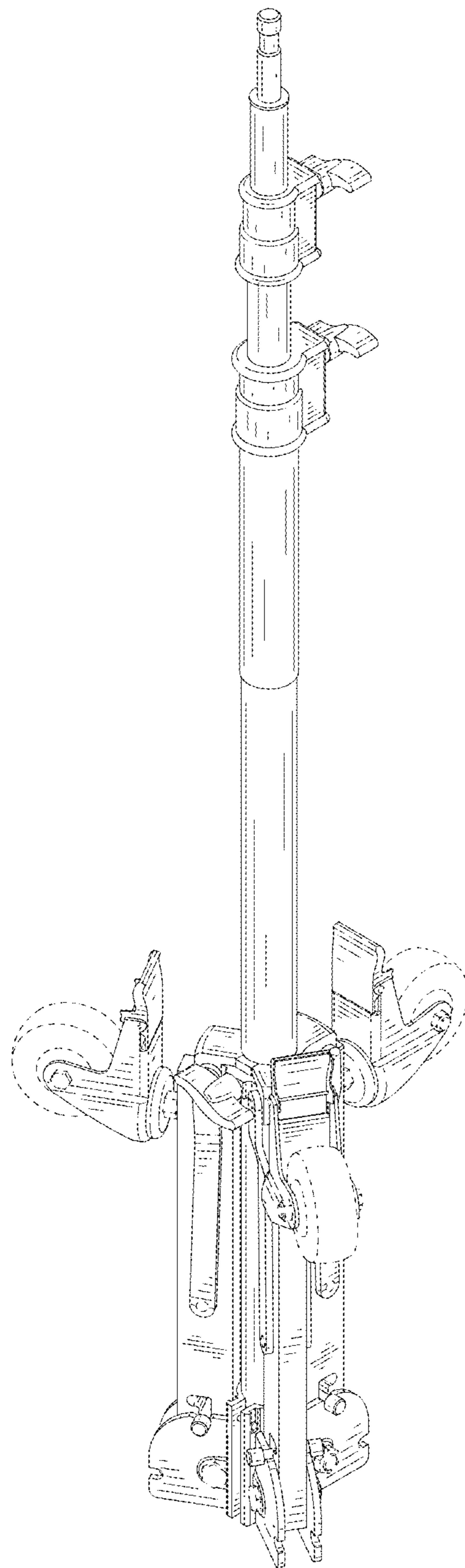


FIG. 11