



US00D973755S

(12) **United States Design Patent** (10) **Patent No.:** **US D973,755 S**
Rao et al. (45) **Date of Patent:** **** Dec. 27, 2022**

(54) **CAMERA**
(71) Applicant: **Shenzhen LinQiJing Technology Co., Ltd.**, Shenzhen (CN)
(72) Inventors: **Weinian Rao**, Shenzhen (CN); **Weihong Wu**, Shenzhen (CN); **Mingyao Mai**, Shenzhen (CN); **Guiqun Xie**, Shenzhen (CN)
(73) Assignee: **SHENZHEN LINQIJING TECHNOLOGY CO., LTD.**, Shenzhen (CN)

D801,409 S * 10/2017 Tsuge D16/219
D847,138 S * 4/2019 Malimovka D16/237
D872,727 S * 1/2020 Chung D12/415
D879,090 S * 3/2020 Chung D12/415
10,938,974 B1 * 3/2021 Knoppert F16M 11/08
D918,890 S * 5/2021 Wang D14/253
D931,358 S * 9/2021 England D16/219
D934,941 S * 11/2021 Cheng D16/203
D936,721 S * 11/2021 Guo D16/203
D939,494 S * 12/2021 Leeds-Frank D12/415
D952,013 S * 5/2022 Li D16/203
D954,697 S * 6/2022 Donna D14/253
D956,127 S * 6/2022 Zhang D16/242

(Continued)

(**) Term: **15 Years**
(21) Appl. No.: **29/771,407**
(22) Filed: **Feb. 23, 2021**
(30) **Foreign Application Priority Data**

Dec. 3, 2020 (CN) 202030742680.0

(51) **LOC (13) Cl.** **16-05**
(52) **U.S. Cl.**
USPC **D16/242**
(58) **Field of Classification Search**
USPC D16/237, 219, 239–245, 250, 214, 200,
D16/201, 203, 204, 209
CPC F16M 11/08; F16M 11/12; G03B 17/561;
G03B 17/563
See application file for complete search history.

(56) **References Cited**
U.S. PATENT DOCUMENTS
D451,504 S * 12/2001 Edwards D14/254
D673,528 S * 1/2013 Trotsky D14/434
D743,468 S * 11/2015 Ribeiro D16/214
D761,343 S * 7/2016 Schmidt D16/202
D763,244 S * 8/2016 McGarry D14/253
D793,994 S * 8/2017 Herbst D14/217

OTHER PUBLICATIONS

“Pivo Pod,” reviewed on Nov. 16, 2020, retrieved on Aug. 16, 2022 from <https://www.amazon.com/Pivo-Pod-Silver-Auto-Tracking-Interactive/dp/B08C2JFLQY> (Year: 2020).*

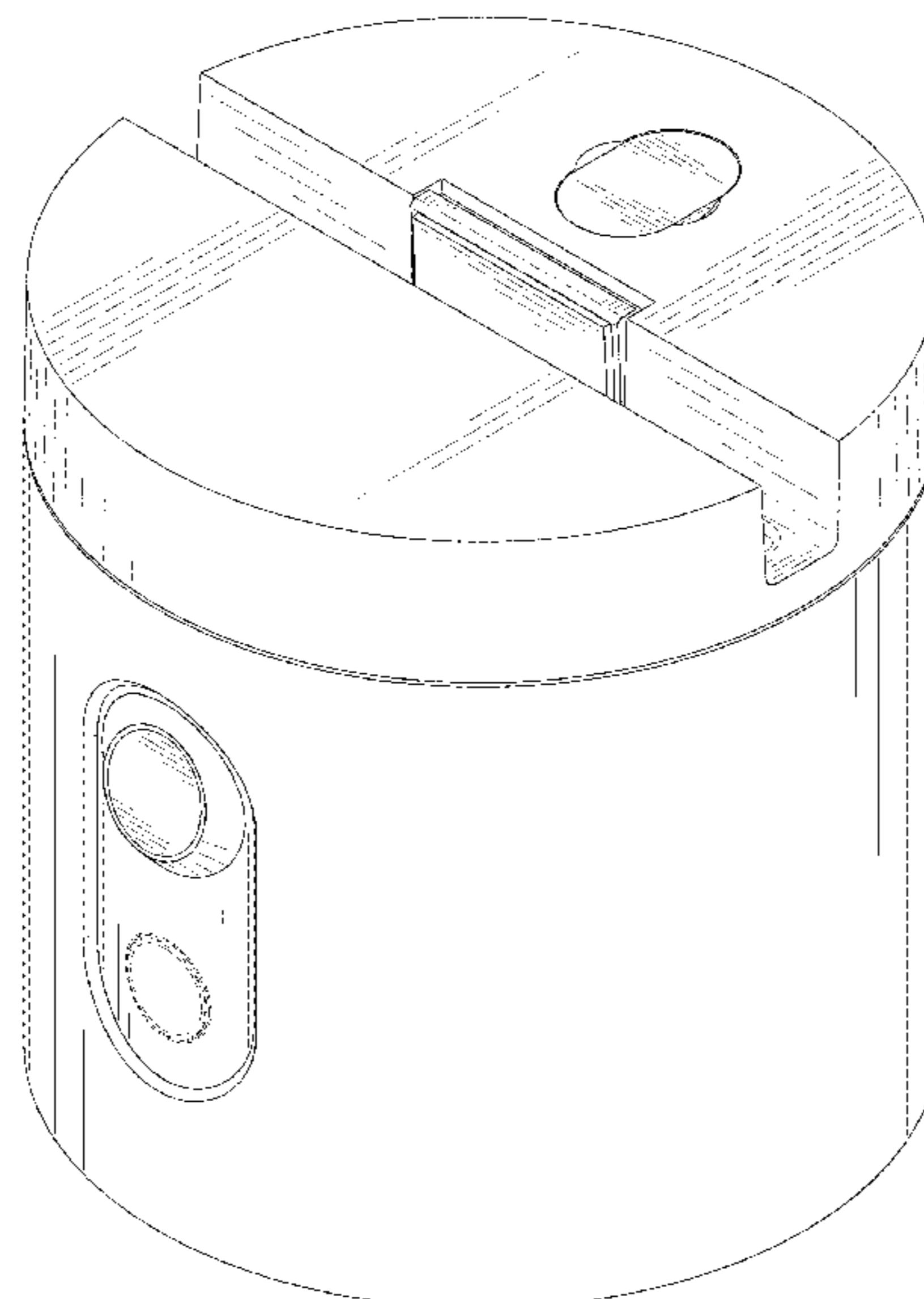
Primary Examiner — Maria J. Edwards
Assistant Examiner — Dina Michelle Hoeyneck

(57) **CLAIM**
The ornamental design for a gimbal, as shown and described.

DESCRIPTION

FIG. 1 is a perspective view of a gimbal showing my new design;
FIG. 2 is another perspective view thereof;
FIG. 3 is a front elevational view thereof;
FIG. 4 is a rear elevational view thereof;
FIG. 5 is a left side elevational view thereof;
FIG. 6 is a right side elevational view thereof;
FIG. 7 is a top plan view thereof; and,
FIG. 8 is a bottom plan view thereof.
The broken lines in the drawings are for the purpose of illustrating portions of the gimbal that form no part of the claimed design.

1 Claim, 8 Drawing Sheets



(56)

References Cited

U.S. PATENT DOCUMENTS

2013/0229569 A1* 9/2013 Bevirt F16M 11/12
248/349.1
2021/0341818 A1* 11/2021 Chen H04N 5/2256

* cited by examiner

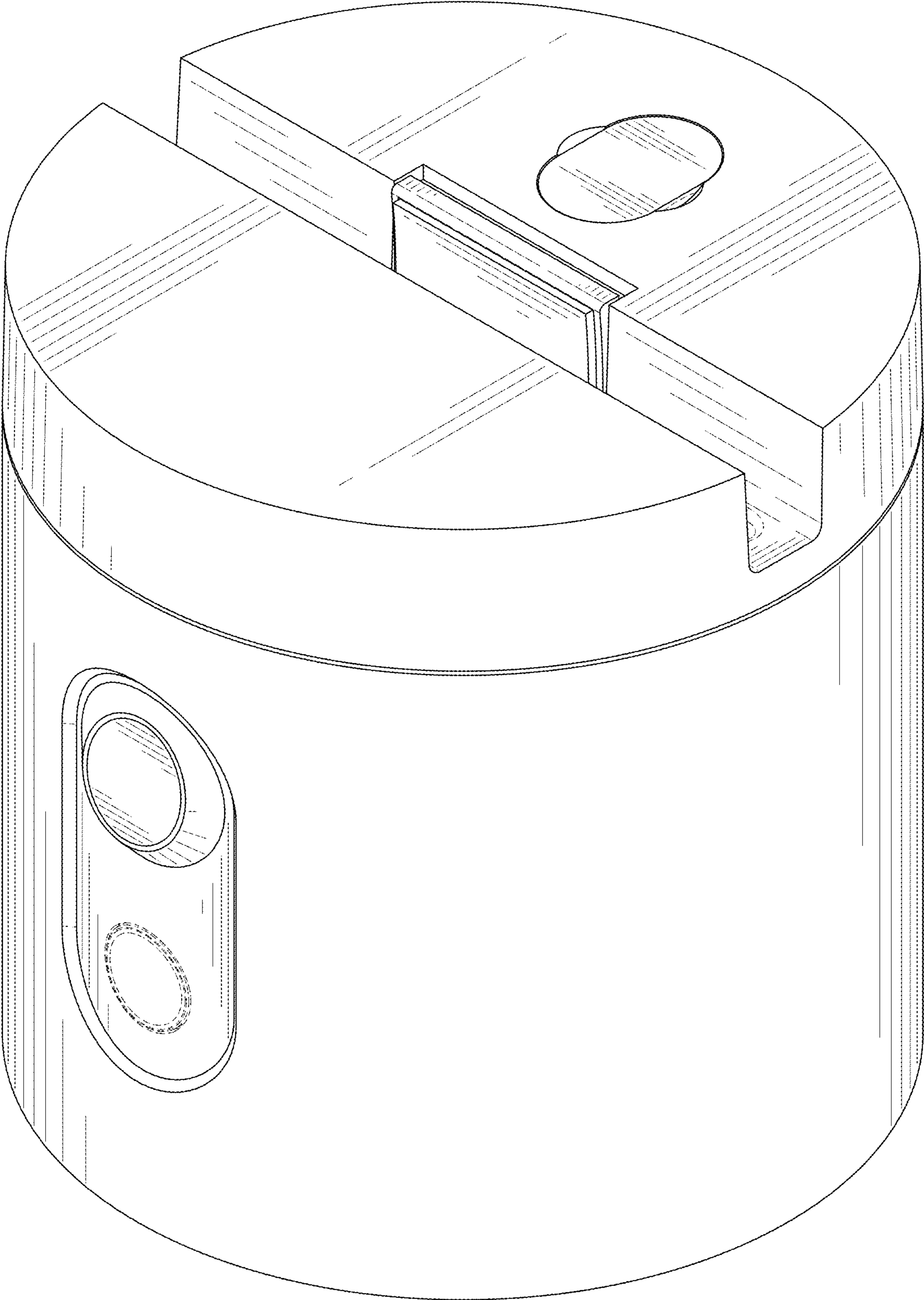


FIG. 1

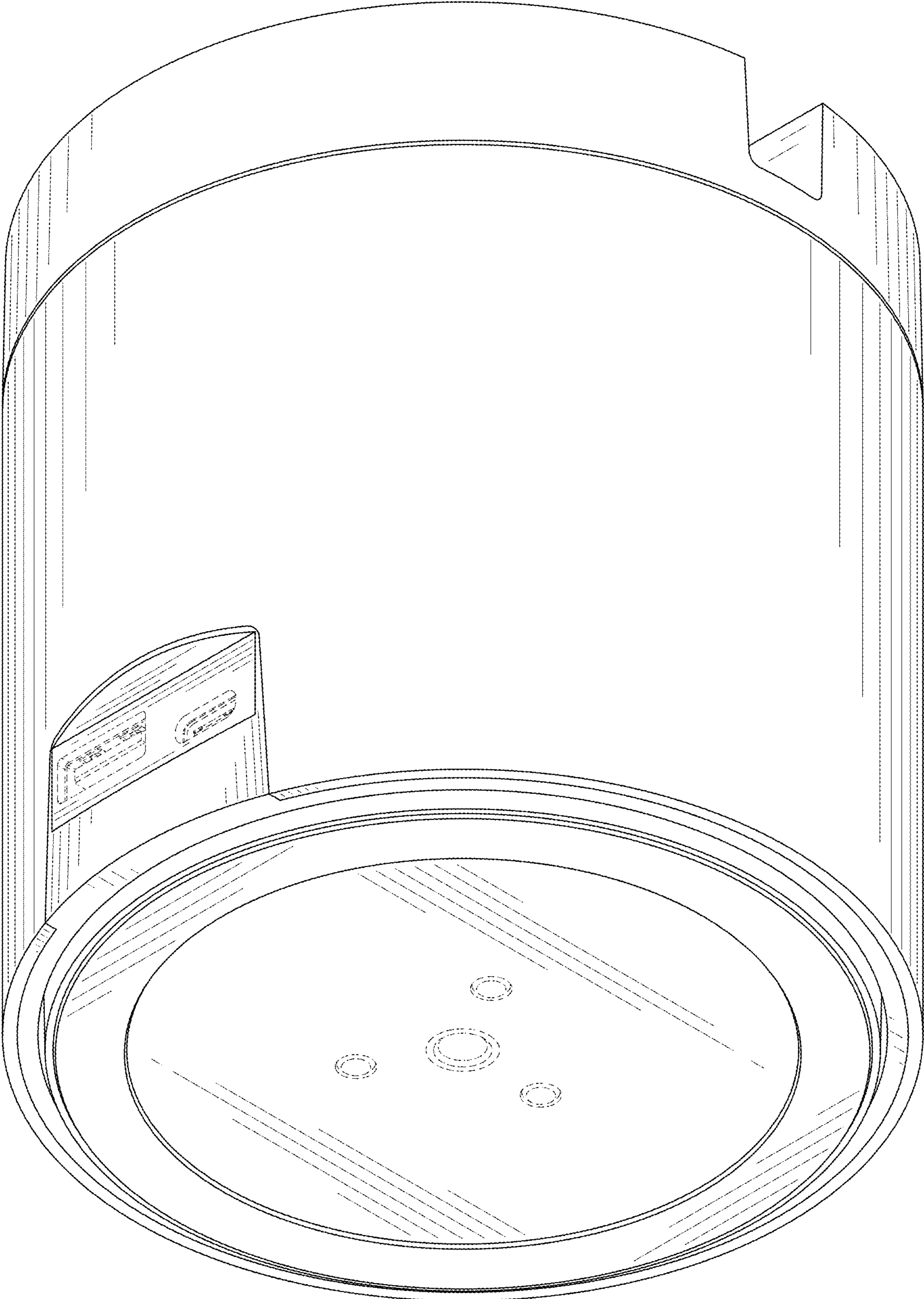


FIG. 2

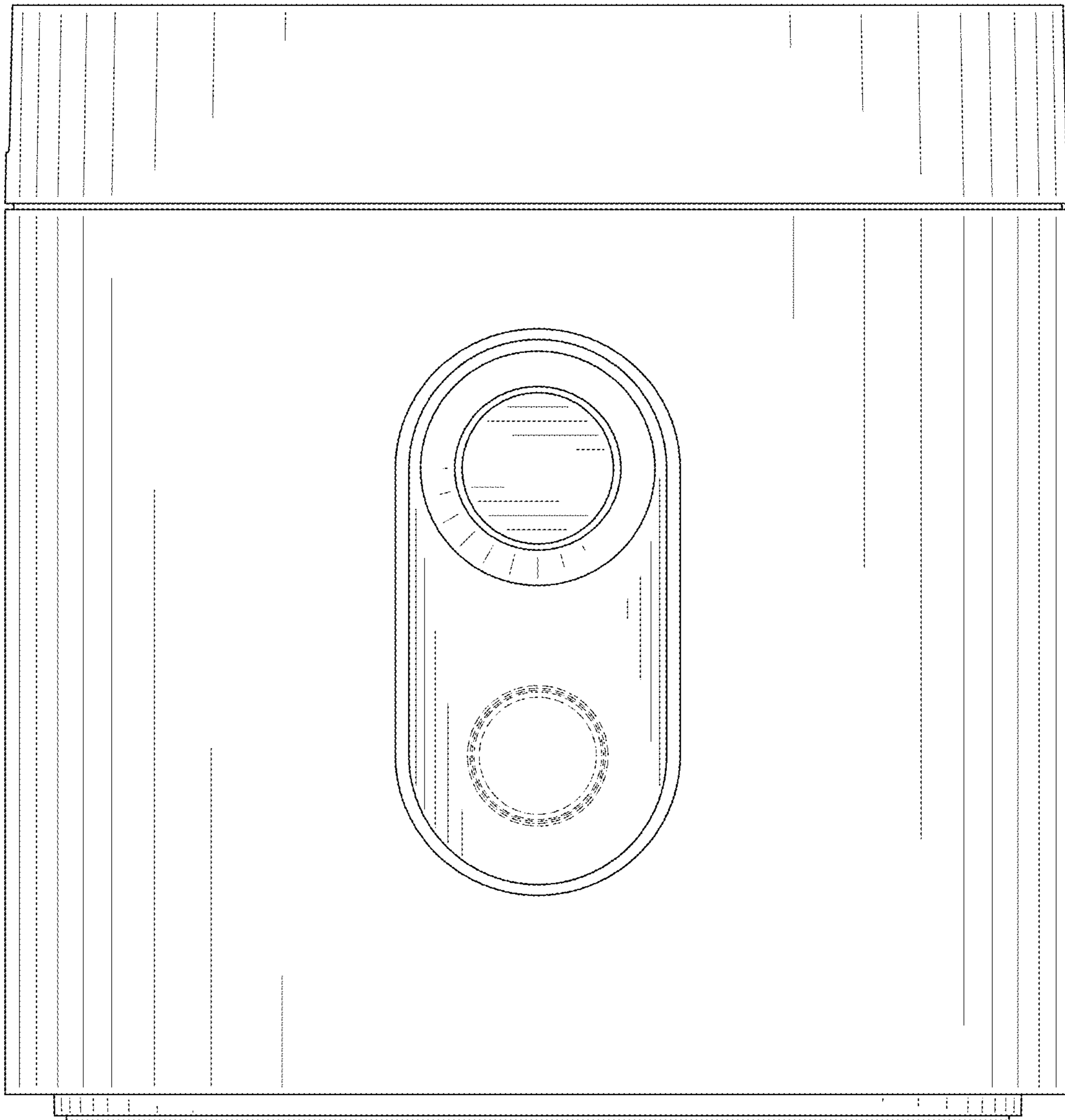


FIG. 3

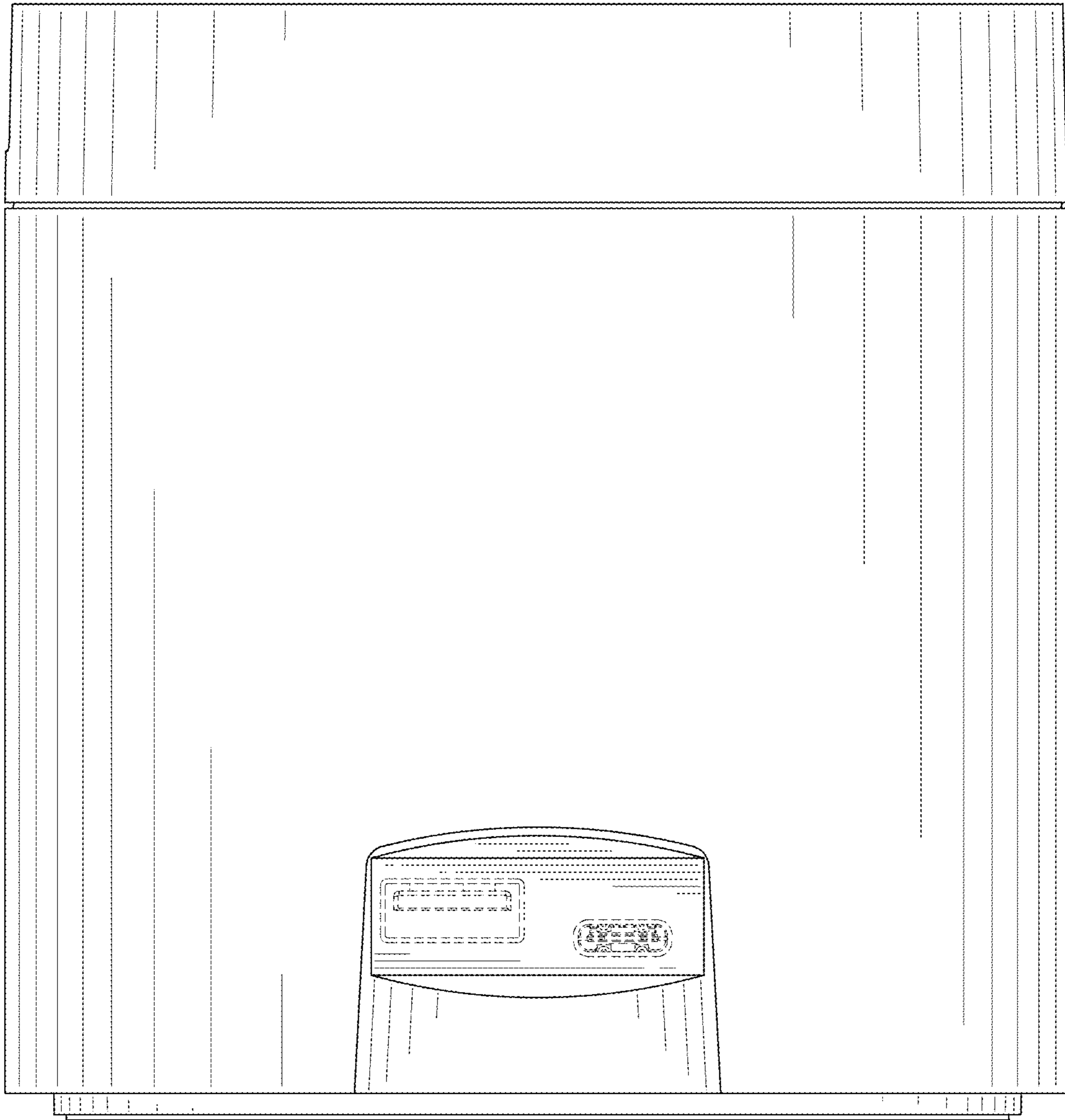


FIG. 4

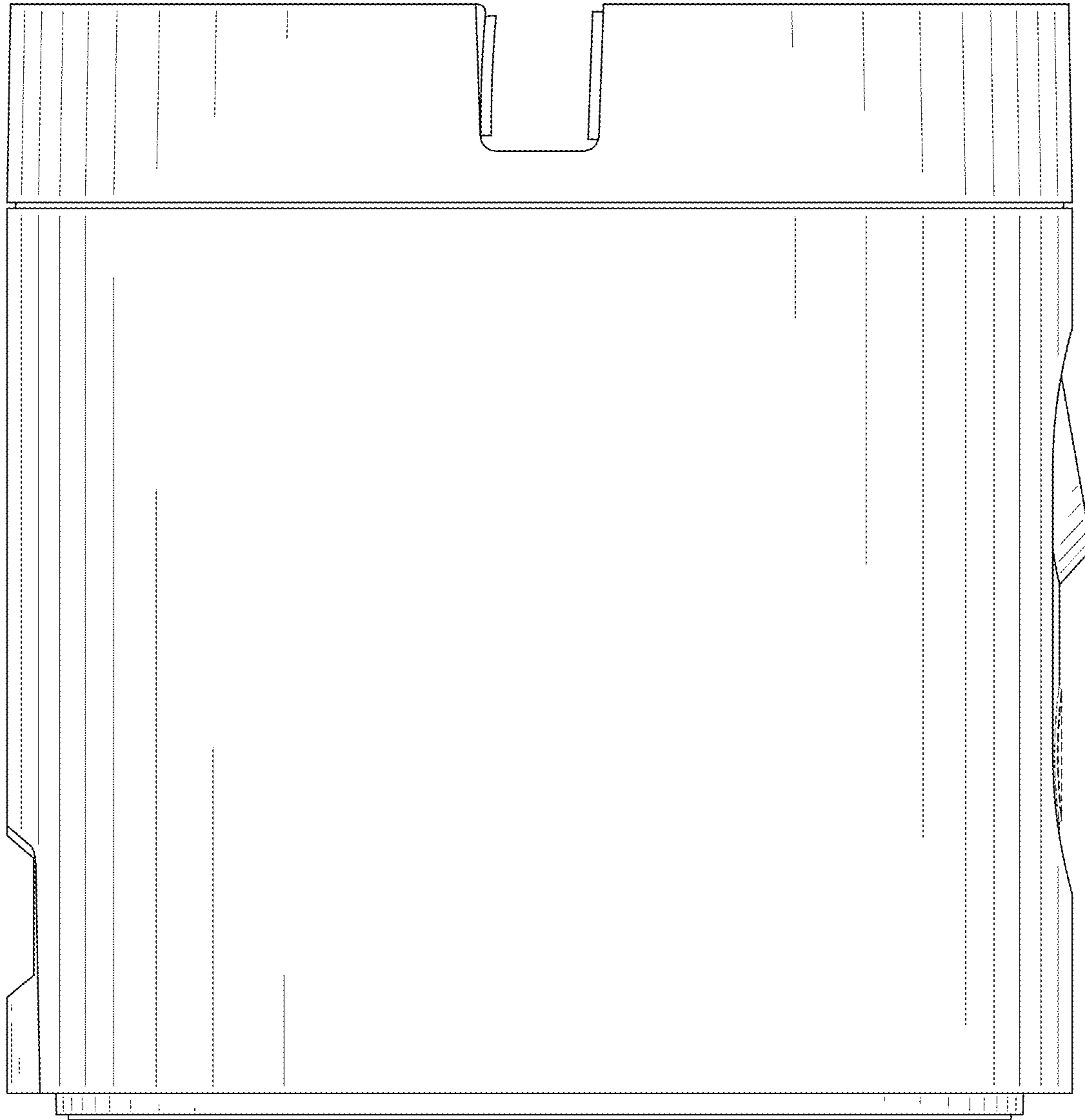


FIG. 5

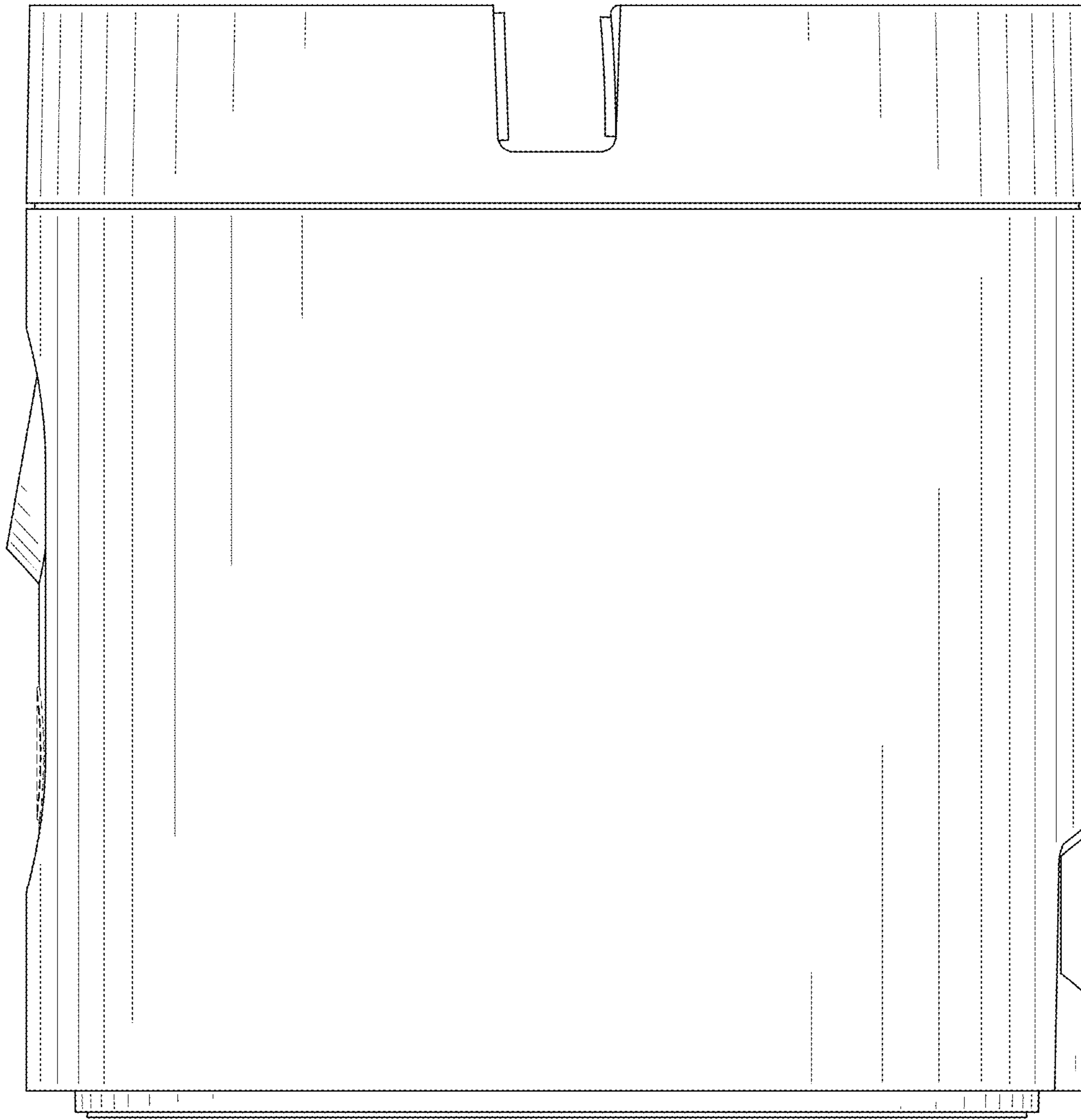


FIG. 6

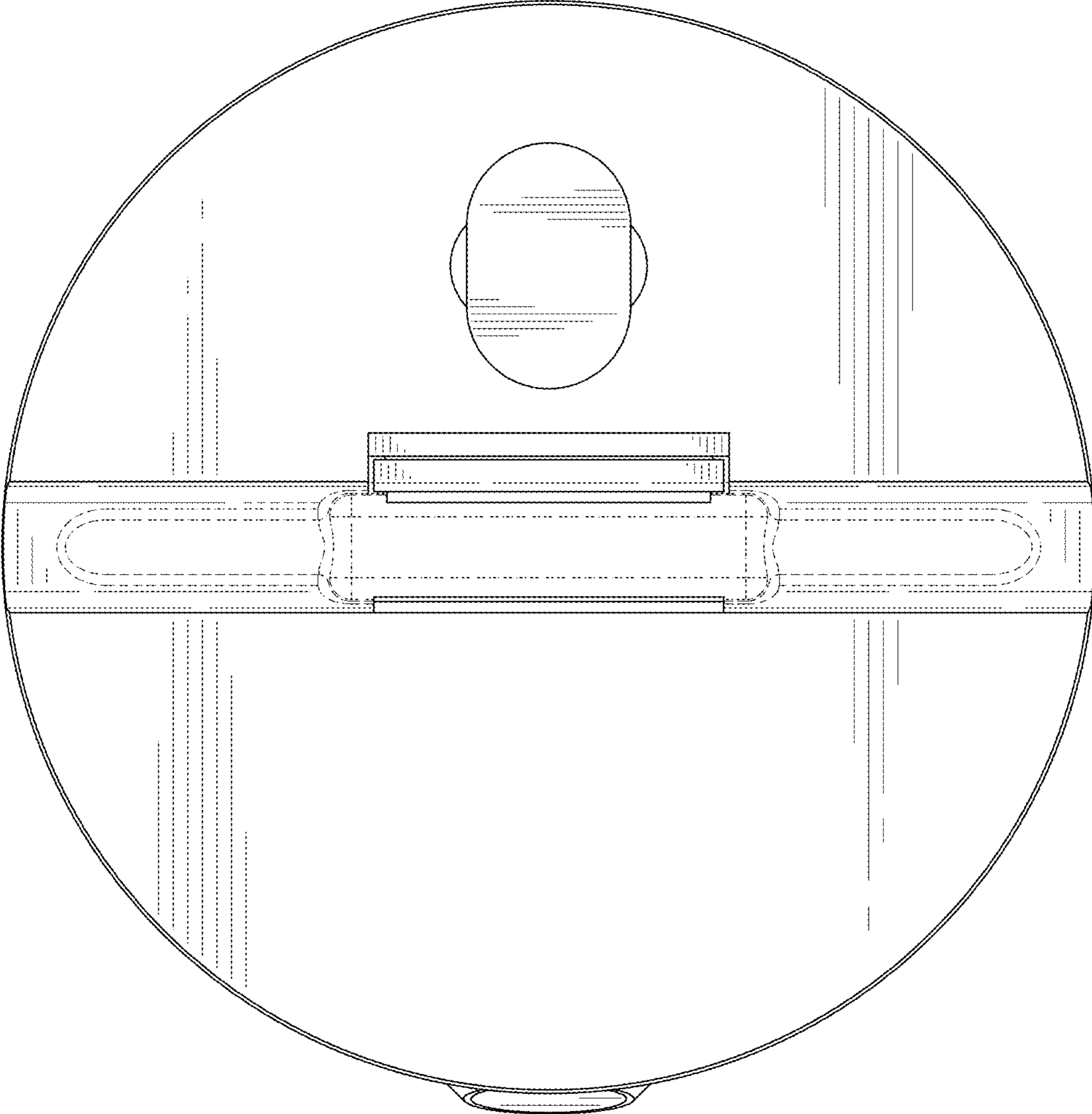


FIG. 7

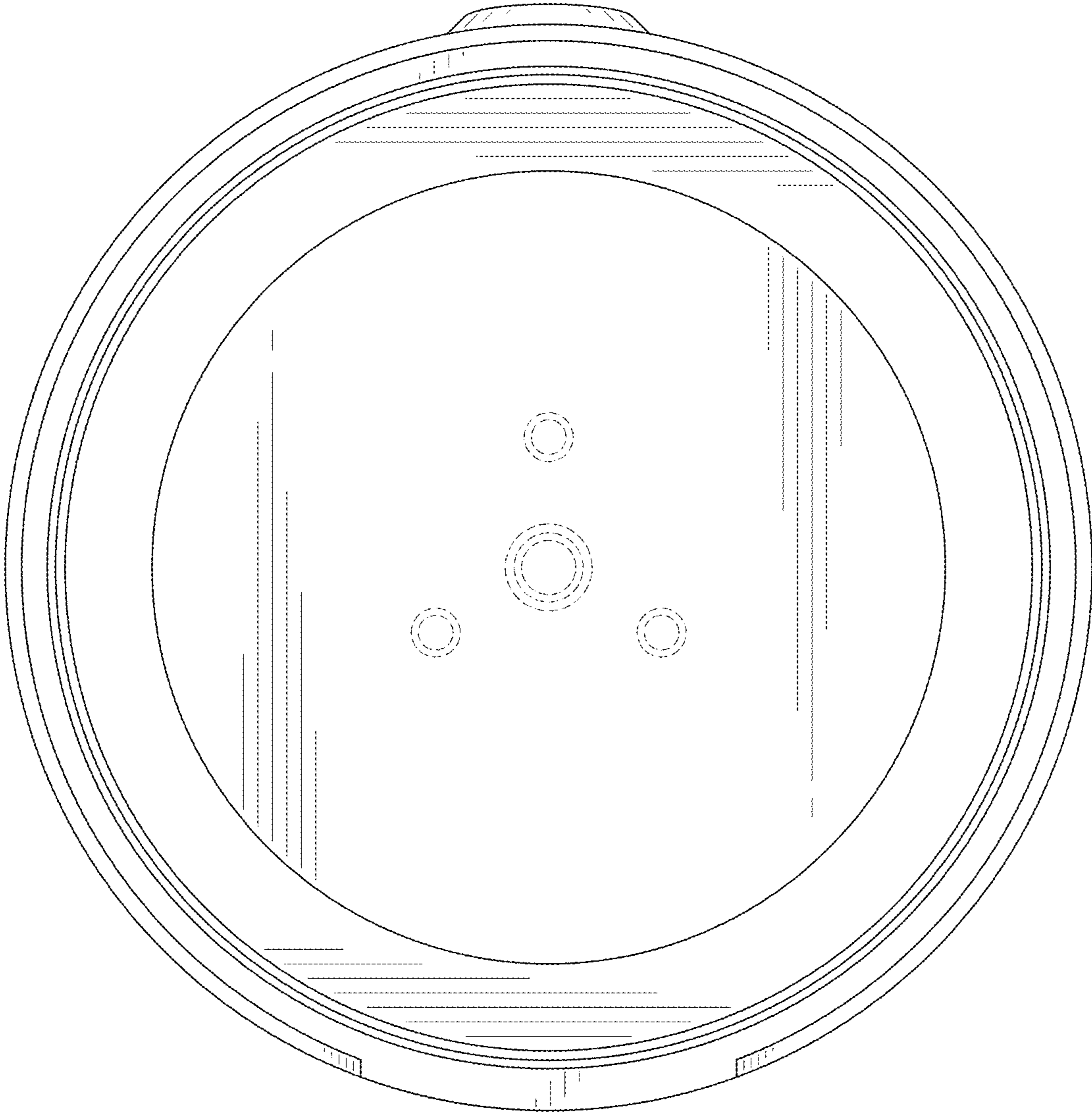


FIG. 8