



US00D973753S

(12) **United States Design Patent**
Chen

(10) **Patent No.:** **US D973,753 S**

(45) **Date of Patent:** **** Dec. 27, 2022**

(54) **SOFTBOX**

(71) Applicant: **Yueqing Originality Photography Equipment Co., Ltd., Yueqing (CN)**

(72) Inventor: **Qingyuan Chen, Zhejiang (CN)**

(**) Term: **15 Years**

(21) Appl. No.: **29/731,396**

(22) Filed: **Apr. 15, 2020**

(30) **Foreign Application Priority Data**

Jan. 21, 2020 (CN) 202030043425.7

(51) **LOC (13) Cl.** **16-05**

(52) **U.S. Cl.**
USPC **D16/237**

(58) **Field of Classification Search**
USPC D16/209, 237, 239, 245; D24/209, 210;
26/1, 2, 3, 4, 24, 26, 35, 36, 37, 40, 60,
(Continued)

(56) **References Cited**

U.S. PATENT DOCUMENTS

2,806,134 A * 9/1957 Tarcici F21V 7/18
126/696
3,703,635 A * 11/1972 Burkarth G02B 17/0694
362/264

(Continued)

FOREIGN PATENT DOCUMENTS

CN 306498573 * 4/2020
CN 305855019 * 6/2020

(Continued)

OTHER PUBLICATIONS

Hudson Spider Ball Diffuser for Redback LED Light, product available unknown [online], no video/pictured review available

[online], [site visited Apr. 14, 2022]:URL:<https://www.bhphotovideo.com/c/product/1572607-REG/hudson_spider_f_rbbk_ball_for_redback.html> (Year: 2022).*

(Continued)

Primary Examiner — Bao-Yen T Nguyen

Assistant Examiner — Loryn K. Leblanc

(57) **CLAIM**

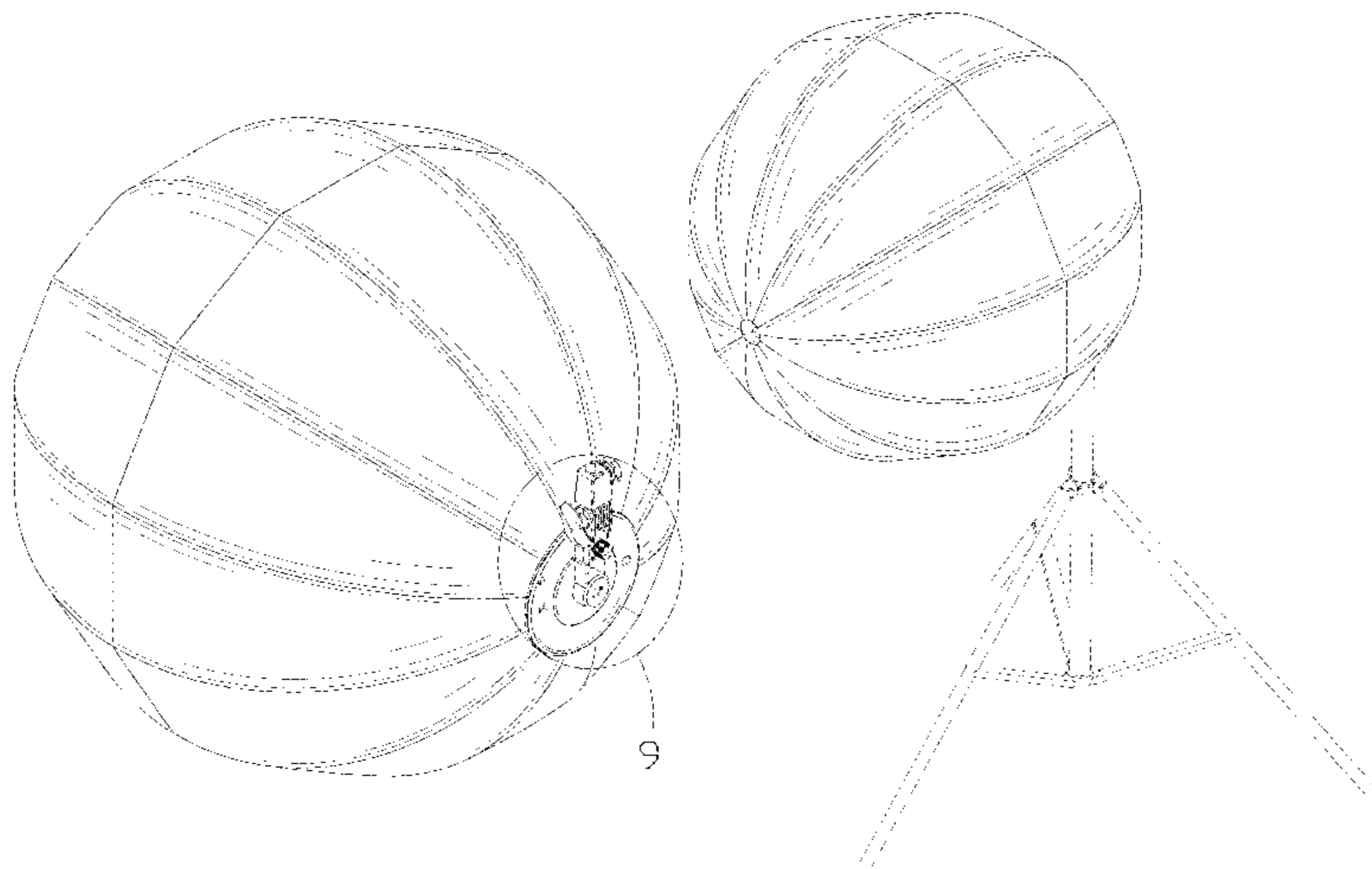
The ornamental design for a softbox, as shown and described.

DESCRIPTION

FIG. 1 is a front and top perspective view of a softbox, showing my new design;
FIG. 2 is a rear and bottom perspective view thereof;
FIG. 3 is a front elevational view thereof;
FIG. 4 is a rear elevational view thereof;
FIG. 5 is a left side elevational view thereof;
FIG. 6 is a right side elevational view thereof;
FIG. 7 is a top plan view thereof;
FIG. 8 is a bottom plan view thereof;
FIG. 9 is an enlarged view of a portion indicated in FIG. 2;
FIG. 10 is an enlarged view of detail "10" identified in FIG. 3;
FIG. 11 is an enlarged view of detail "11" identified in FIG. 4;
FIG. 12 is an enlarged view of detail "12" identified in FIG. 5;
FIG. 13 is an enlarged view of detail "13" identified in FIG. 6;
FIG. 14 is an enlarged view of detail "14" identified in FIG. 7;
FIG. 15 is an enlarged view of detail "15" identified in FIG. 8; and,
FIG. 16 is a perspective view of the softbox showing the softbox in a using status.

The broken lines in the figures illustrate portions of the softbox that form no part of the claimed design. The dash dot dash lines in FIGS. 2 to 15 are for the purpose of denoting the area of the softbox that has been enlarged and form no

(Continued)



part of the claim. The broken lines showing of tripod in FIG. 16 depict environmental structure and form no part of the claimed design.

1 Claim, 16 Drawing Sheets

(58) Field of Classification Search

USPC 26/61, 62, 63, 64, 65, 69, 70, 79, 93, 94,
26/102, 108, 113, 118, 122, 123, 124,
26/128, 130, 131, 132, 133, 134, 136,
26/148, 149, 244

CPC G03B 15/05; G03B 15/06; G03B 15/07;
F21V 7/00; F21V 7/0075; F21V 7/0008

See application file for complete search history.

(56) References Cited

U.S. PATENT DOCUMENTS

4,146,918 A * 3/1979 Tureck G03B 15/0442
362/16
D254,215 S * 2/1980 Yahraus D26/89
4,490,776 A * 12/1984 Kluch G03B 15/06
362/311.06
4,633,374 A * 12/1986 Waltz G03B 15/02
362/17
5,421,376 A * 6/1995 Sinha D03D 19/00
343/915
D393,919 S * 4/1998 Dolan D26/136
5,838,860 A * 11/1998 Kingstone F21V 29/70
385/100
6,024,469 A * 2/2000 Greif F21V 7/09
362/346
D433,763 S * 11/2000 Donato D26/118
6,595,665 B1 * 7/2003 Park F21V 1/06
362/427
D497,458 S * 10/2004 Nauert A01K 39/00
D26/118
D545,994 S * 7/2007 Hargreaves D26/118
D622,440 S * 8/2010 Briese D26/118
7,976,198 B1 * 7/2011 Gordin F21V 13/10
362/297
8,192,038 B2 * 6/2012 Lin G03B 15/06
362/17
D683,064 S * 5/2013 Tuck D26/118
D692,609 S * 10/2013 Waltz D26/118
9,438,817 B1 * 9/2016 Baker G03B 15/07
D770,082 S * 10/2016 Reynolds D26/118
D786,487 S * 5/2017 Reynolds D26/118
10,203,083 B2 * 2/2019 Lin F21V 1/06
10,429,030 B2 * 10/2019 Jiang F21V 7/0091
D872,930 S * 1/2020 Nykolyshyn D26/118
D888,137 S * 6/2020 Nykolyshyn D16/237
D888,811 S * 6/2020 Chen D16/237
D905,900 S * 12/2020 Nykolyshyn D16/237
D940,782 S * 1/2022 Zhu D16/244
D940,783 S * 1/2022 Lin D16/244
2003/0189834 A1 * 10/2003 Hsing F21V 17/164
362/454
2004/0042209 A1 * 3/2004 Wehner F21V 7/0025
362/345
2004/0179360 A1 * 9/2004 Kalinski G03B 15/05
362/230
2007/0223231 A1 * 9/2007 Maes G03B 15/06
362/311.06
2008/0273335 A1 * 11/2008 Gordin F21V 11/00
362/296.07
2011/0063858 A1 * 3/2011 Ortiz-Gavin G02B 5/201
362/343

2011/0216521 A1 * 9/2011 Howe B32B 37/14
362/351
2013/0010495 A1 * 1/2013 Moon G02B 6/0083
362/609
2013/0120960 A1 * 5/2013 Harooni G03B 17/56
362/16
2013/0169860 A1 * 7/2013 Yang G03B 15/05
362/11
2014/0022758 A1 * 1/2014 Shirilla G03B 17/56
362/18
2018/0039164 A1 * 2/2018 Chen F21V 7/18
2018/0119920 A1 * 5/2018 Lin F21V 7/00
2019/0377242 A1 * 12/2019 Boerup G03B 15/06
2021/0349375 A1 * 11/2021 Nykolyshyn F21V 7/18

FOREIGN PATENT DOCUMENTS

CN 305890167 * 6/2020
CN 307101553 * 2/2022
CN 307212735 * 3/2022
EM 008263586-0003 * 11/2020
GB 6183056 * 12/2021
JP D1194233 * 1/2004
JP D1194234 * 1/2004
JP D1429752 * 12/2011
KR 301098582.0000 * 3/2021
KR 301141174.0000 * 12/2021

OTHER PUBLICATIONS

Newer 26 inches/65cm Lantern Softbox Soft Light Diffuser with Skirt, product available Jan. 14, 2021 [online], pictured review Apr. 4, 2022 [online], [site visited Apr. 14, 2022]:URL:<https://www.amazon.com/gp/product/B08T22BYVN/ref=sw_img_1?smid=AH6NV5LDS04JR&psc=1> (Year: 2021).*

Bi-Color LED Video Light product available Jul. 22, 2020 [online], pictured review Jan. 27, 2021 [online], [site visited Apr. 14, 2022]:URL:<https://www.amazon.com/gp/product/B08DFT65FS/ref=sw_img_1?smid=ACEJBV5IP8GDR&psc=1> (Year: 2021).*

Godox Softbox Lantern Softbox, product available Aug. 25, 2020 [online], pictured review Nov. 27, 2020 [online], [site visited Apr. 14, 2022]:URL:<https://www.amazon.com/gp/product/B08GKSSSMZ/ref=sw_img_1?smid=A3A14HZTSPRLX&th=1> (Year: 2020).*

RAUBAY Photography Video Lighting Kit, product available Sep. 15, 2021 [online], video review Mar. 9, 2022 [online], [site visited Apr. 14, 2022]:URL:<https://www.amazon.com/gp/product/B09G9XGLWS/ref=sw_img_1?smid=AGCJ9903VA8JD&psc=1> (Year: 2021).*

Lapgood CS-85D 85 cm Lantern, product available Jul. 27, 2021 [online], no video/pictured review available [online], [site visited Apr. 14, 2022]:URL:<https://www.amazon.com/gp/product/B09B9ZPX13/ref=sw_img_1?smid=A1NRIT14VE46FK&psc=1> (Year: 2021).*

GVM Bi-Color LED Video Light, product available May 5, 2021 [online], pictured review Dec. 25, 2021 [online], [site visited Apr. 14, 2022]: URL:<https://www.amazon.com/gp/product/B09L4MHK2M/ref=sw_img_1?smid=A7GSXY3Q89548&psc=1> (Year: 2021).*

VELVETlight DopChoice Large Lantern Dome, product availability date unknown [online], no video/pictured review available [online], [site visited Apr. 14, 2022]:URL:<https://www.bhphotovideo.com/c/product/1658905-REG/velvetlight_vk400_sl_dopchoice_large_lantern_dome.html> (Year: 2022).*

Nanlite Lantern 80 Ball Easy-Up Softboxwith Bowens Mount, product availability date unknown [online], no video/pictured review available [online], [site visited Apr. 14, 2022]:URL:<<https://nanliteus.com/nanlite-lantern-80-ball-easy-up-softbox-with-bowens-mount-31in/>>(Year: 2022).*

* cited by examiner

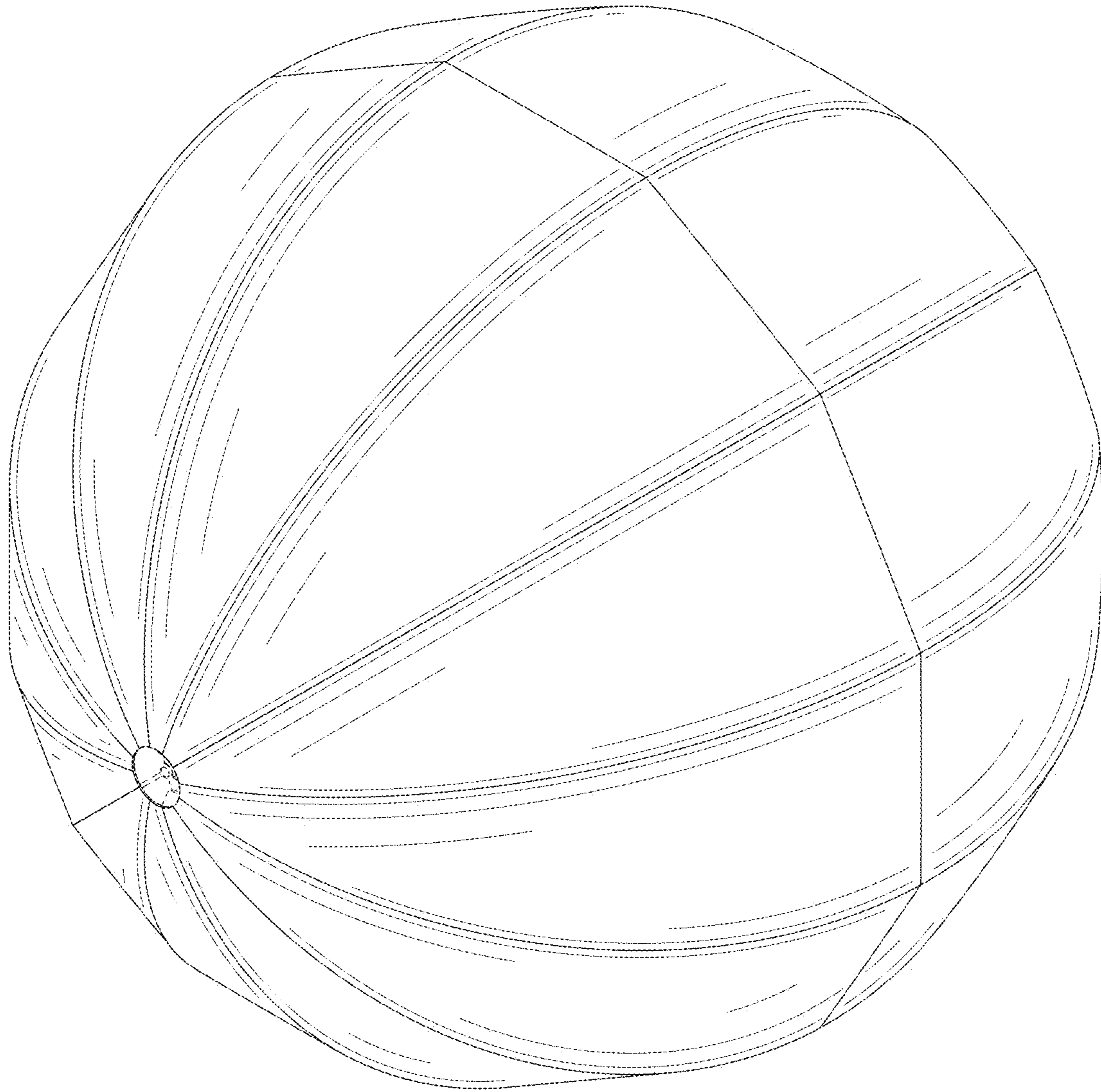


FIG. 1

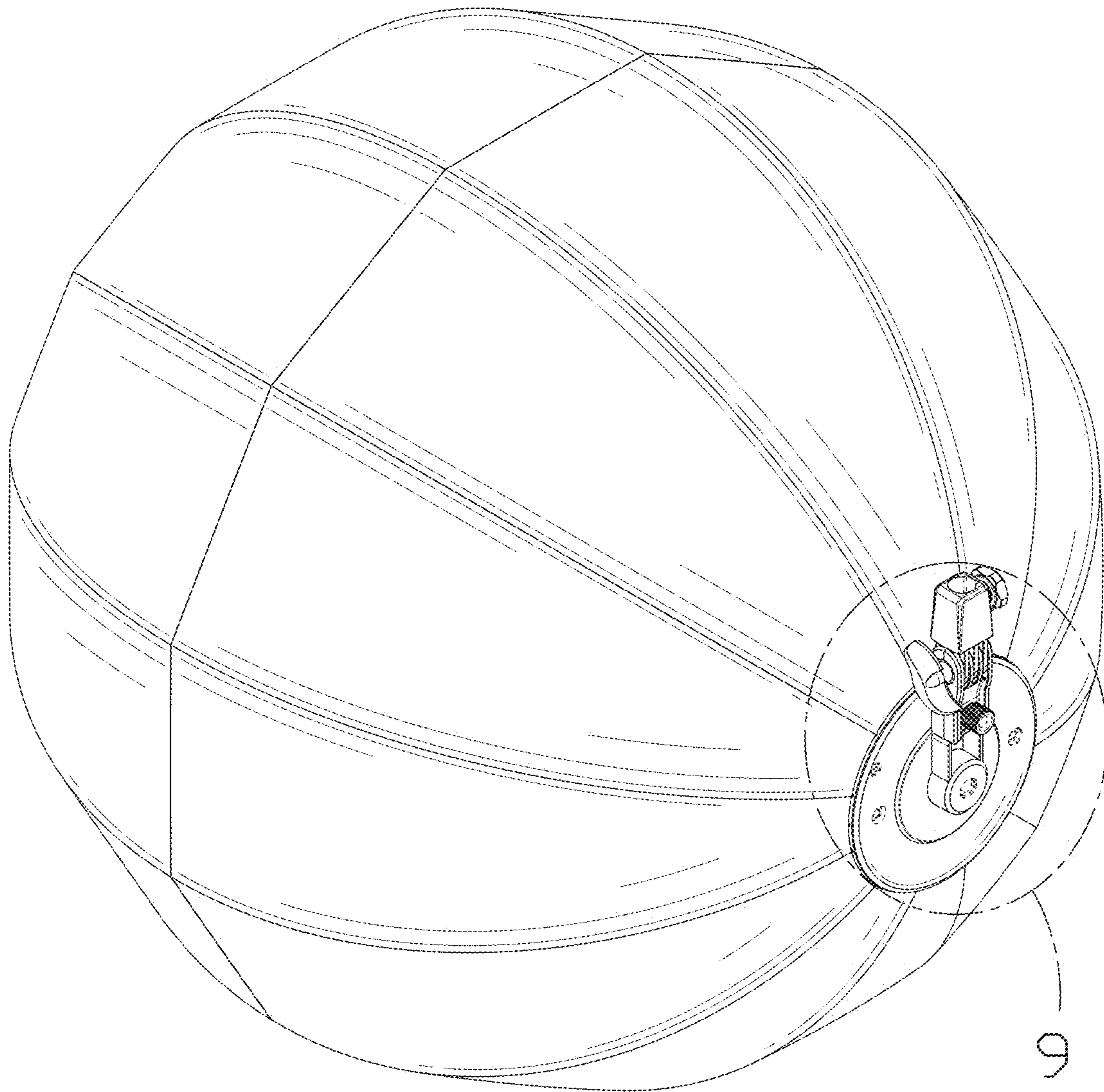


FIG. 2

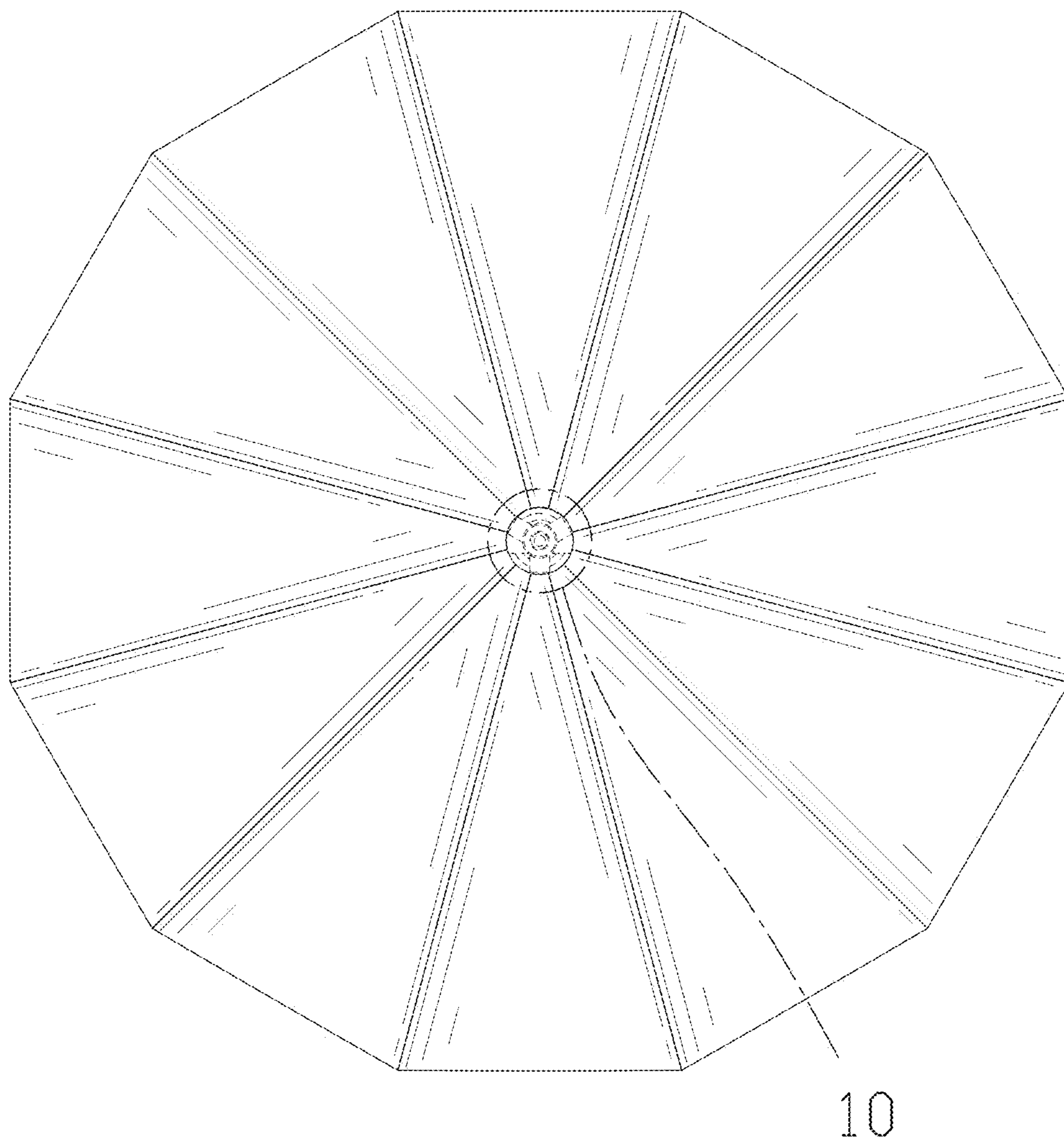


FIG. 3

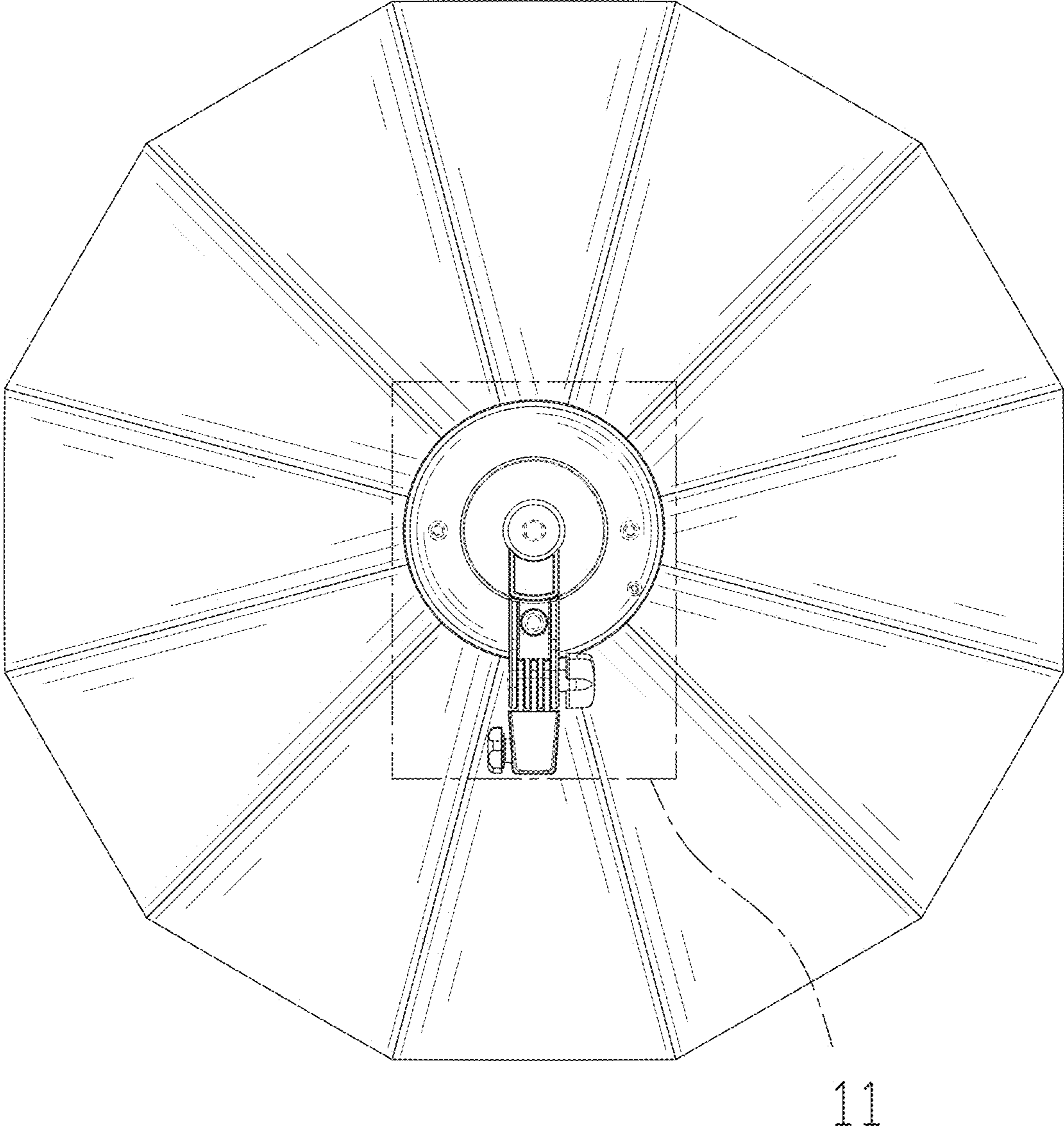


FIG. 4

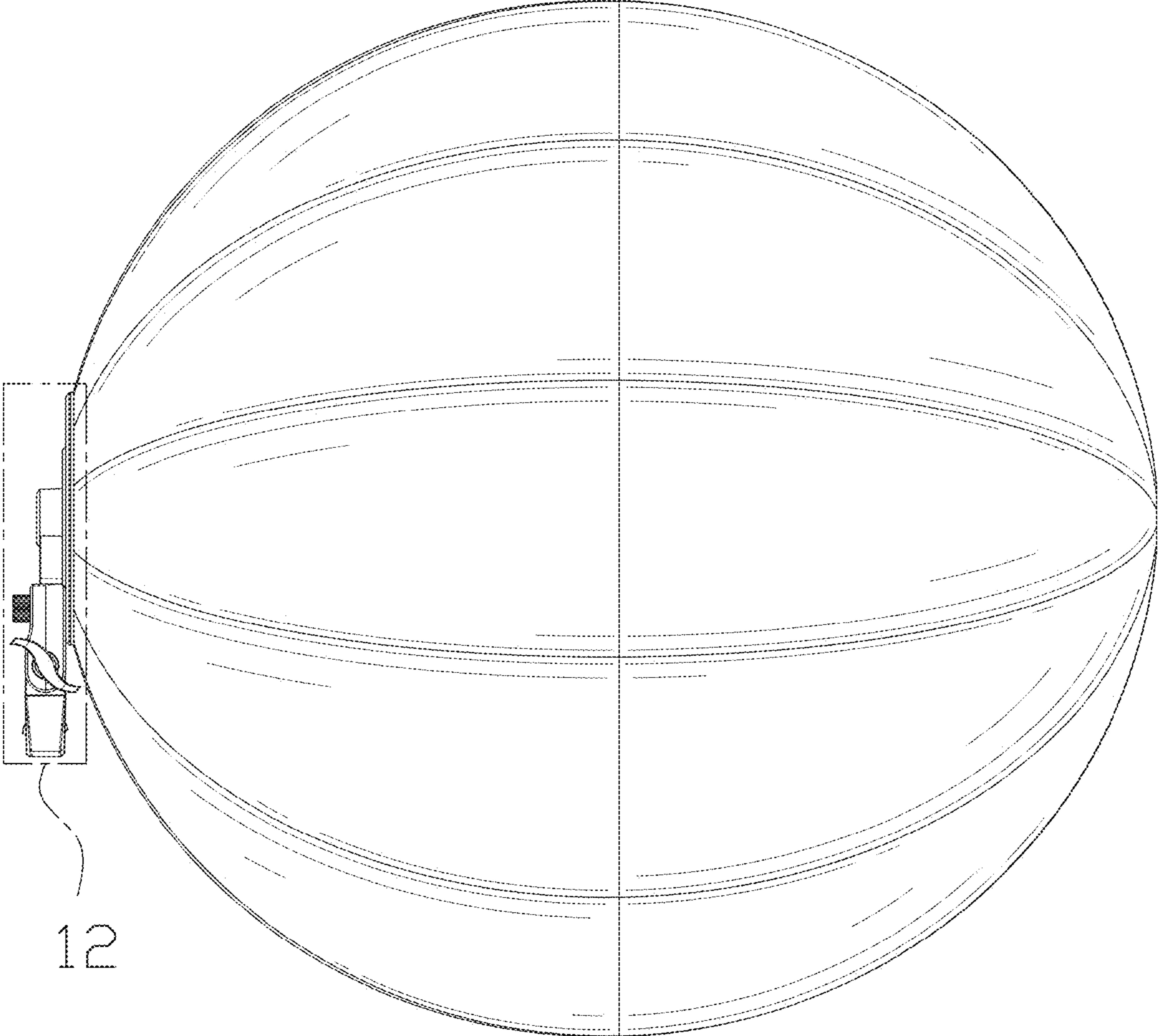


FIG. 5

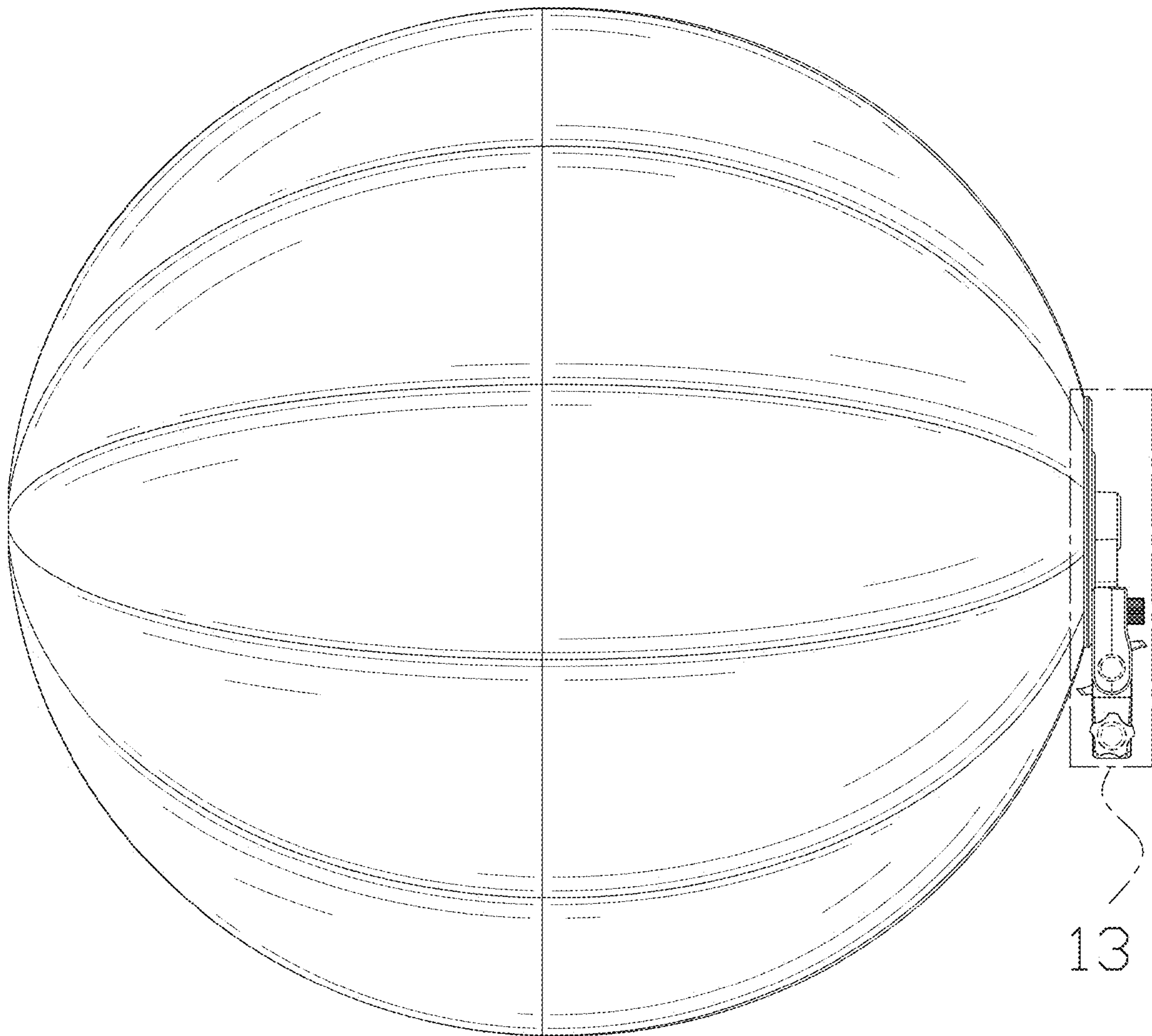


FIG. 6

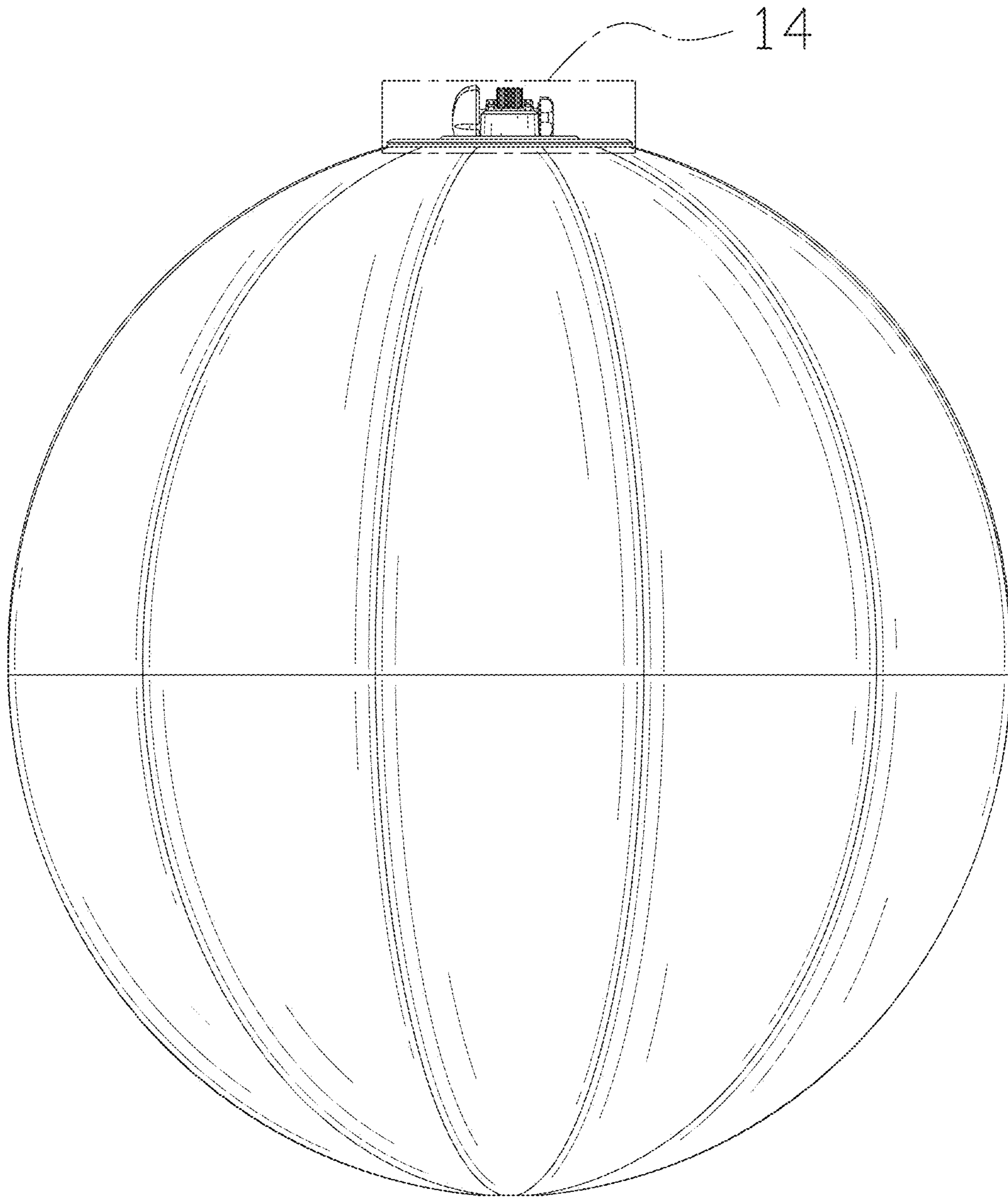


FIG. 7

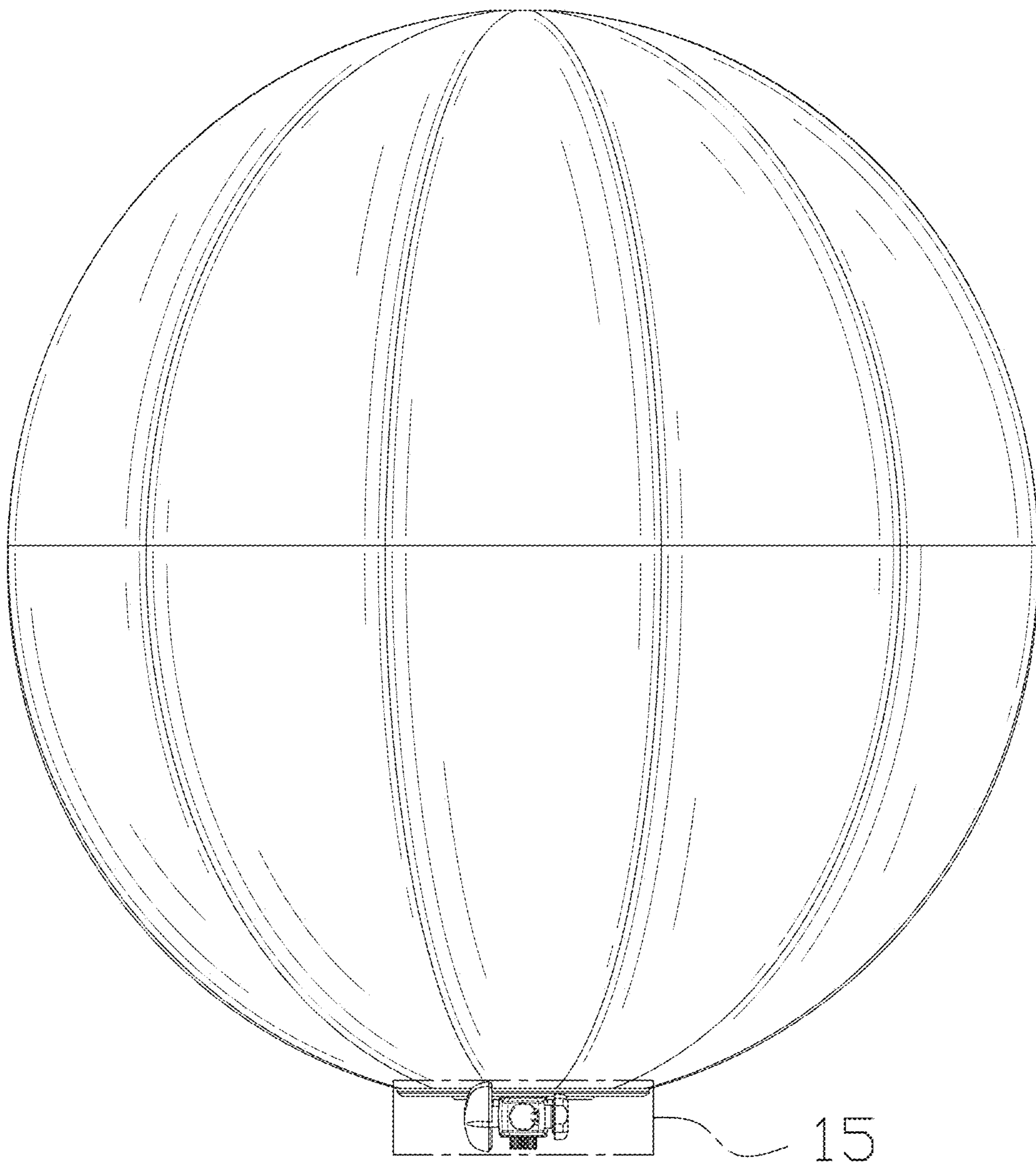


FIG. 8

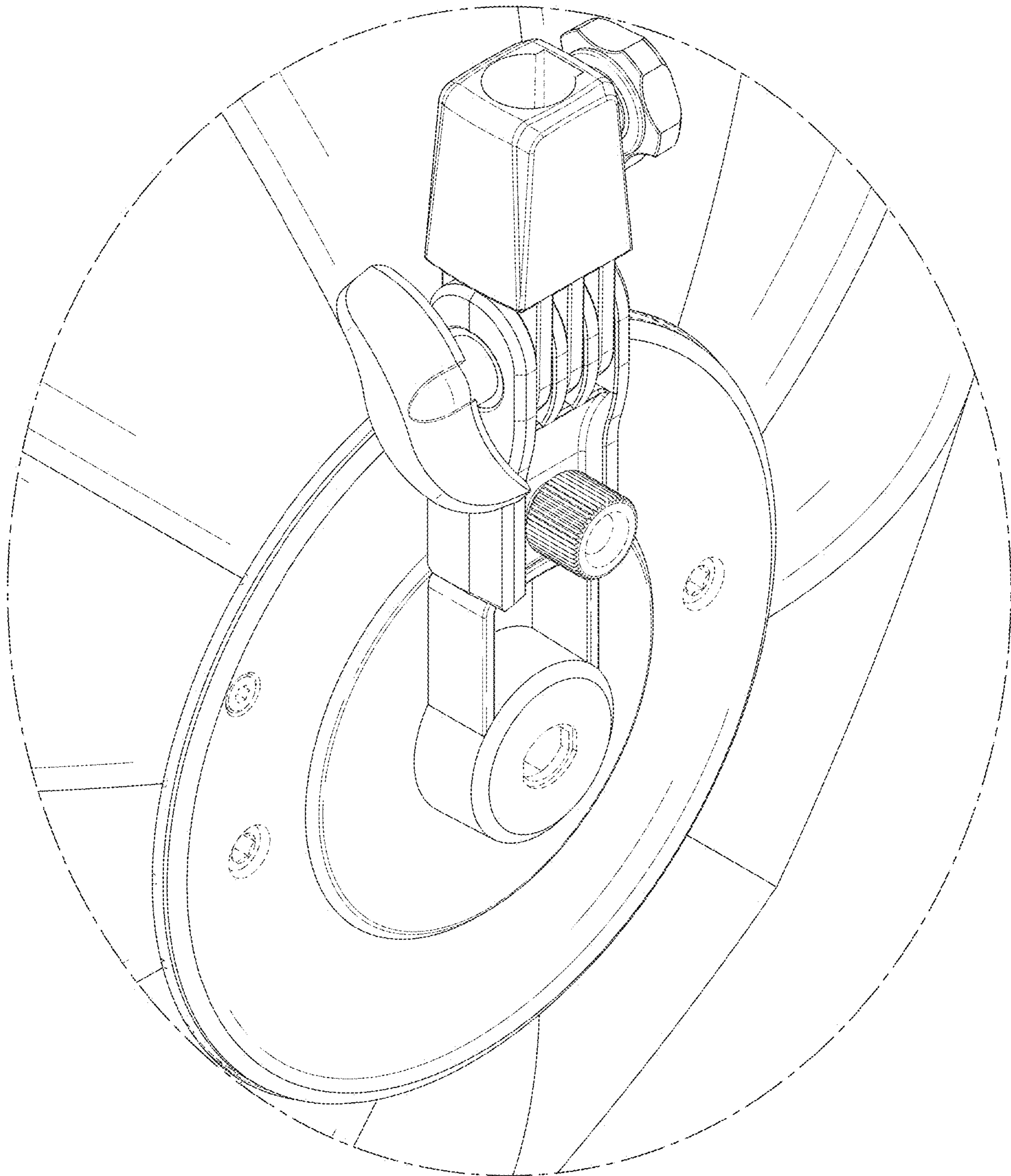


FIG. 9

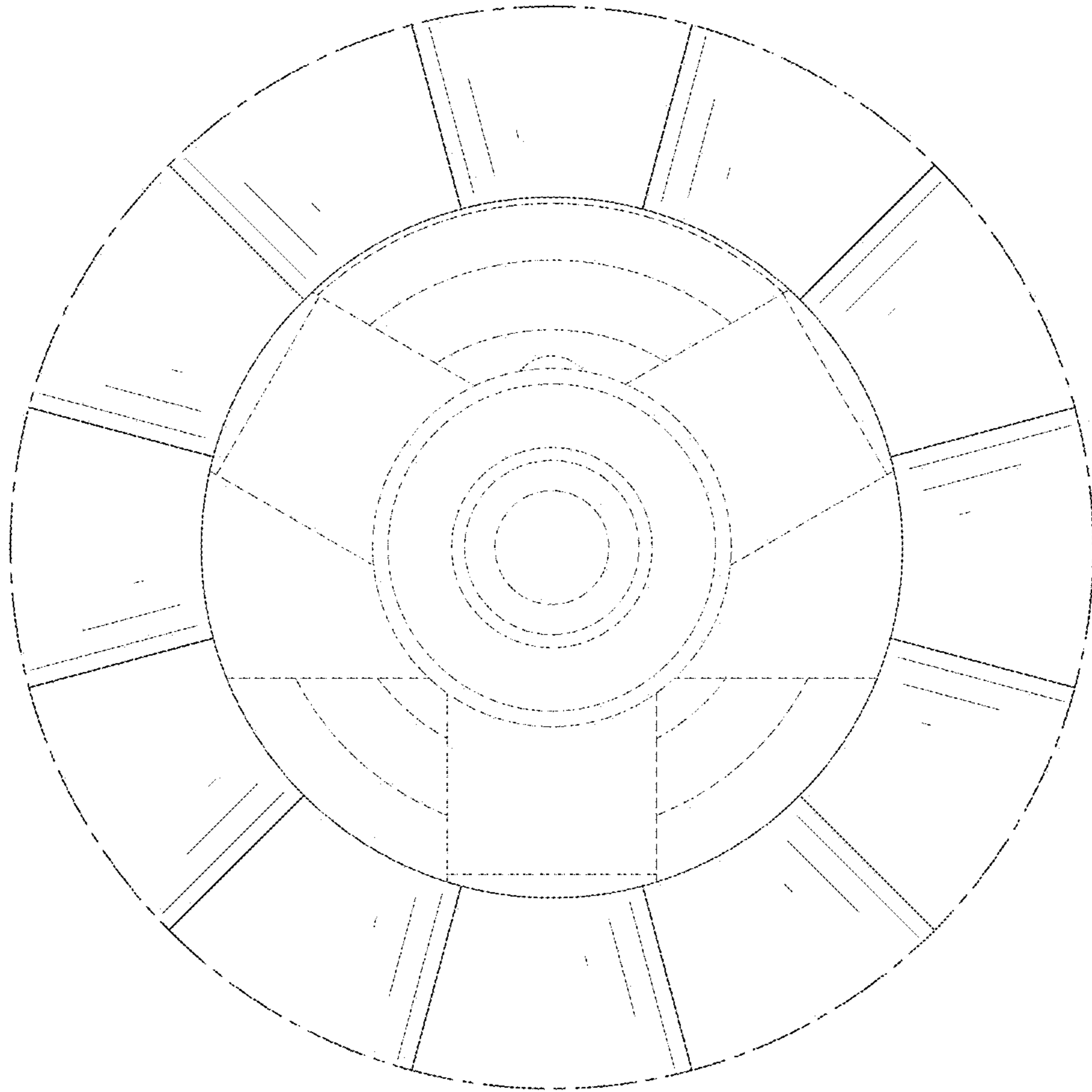


FIG. 10

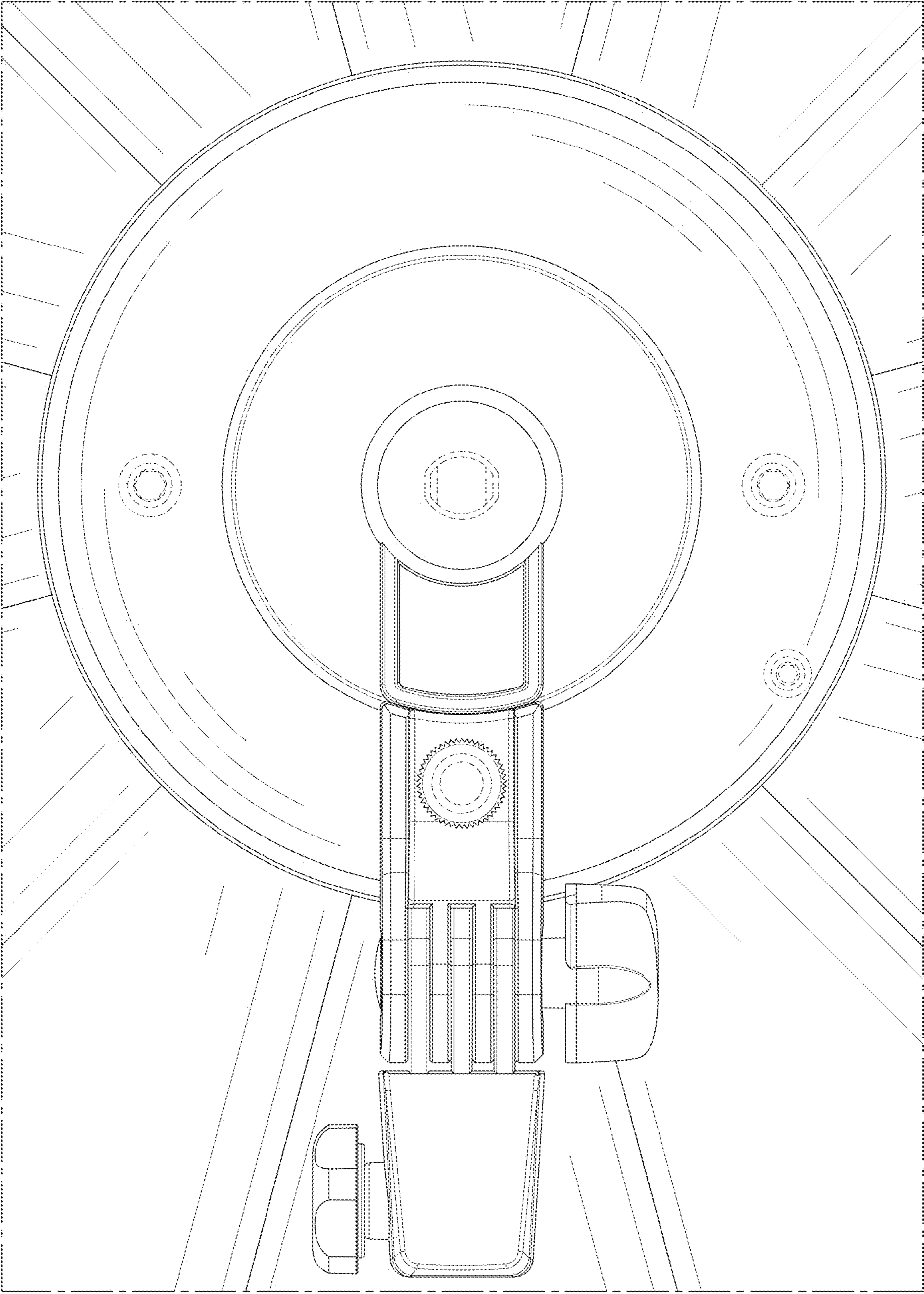


FIG. 11

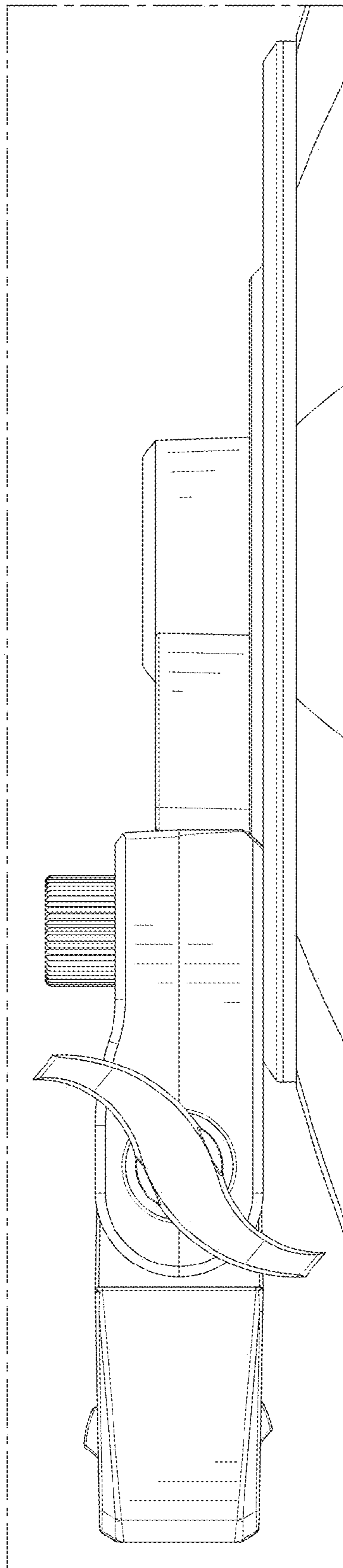


FIG. 12

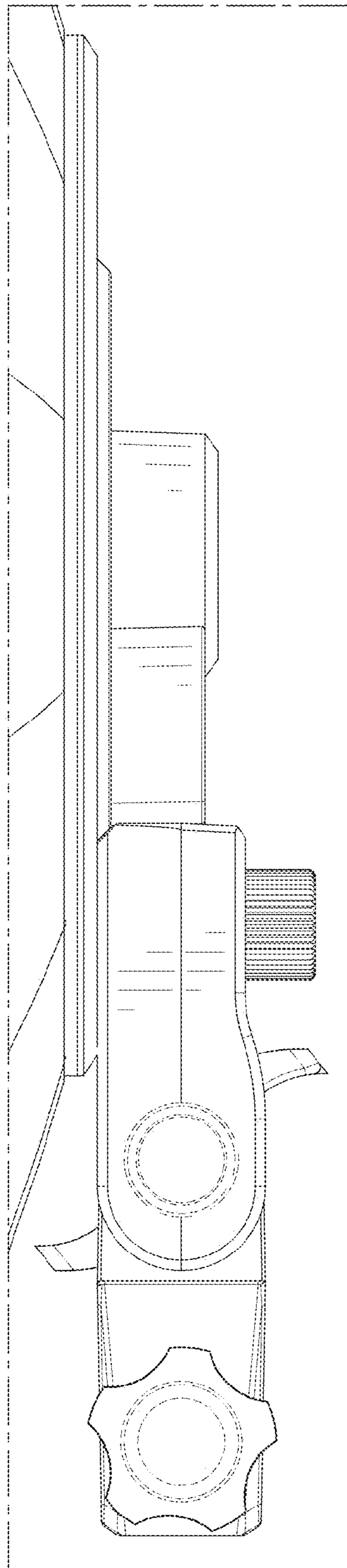


FIG. 13

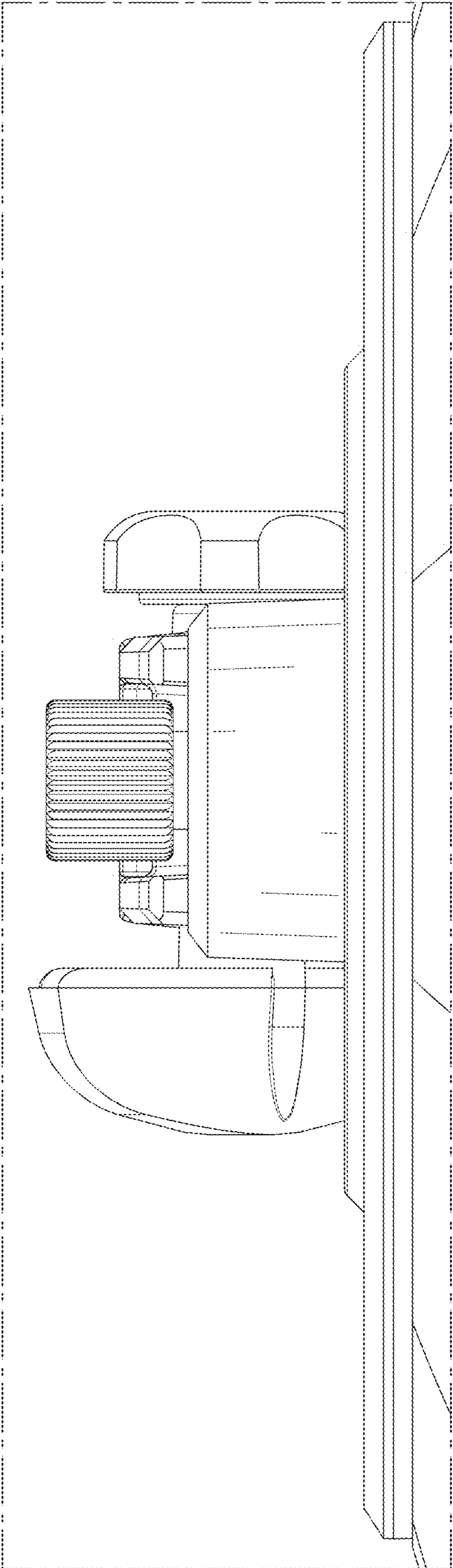


FIG. 14

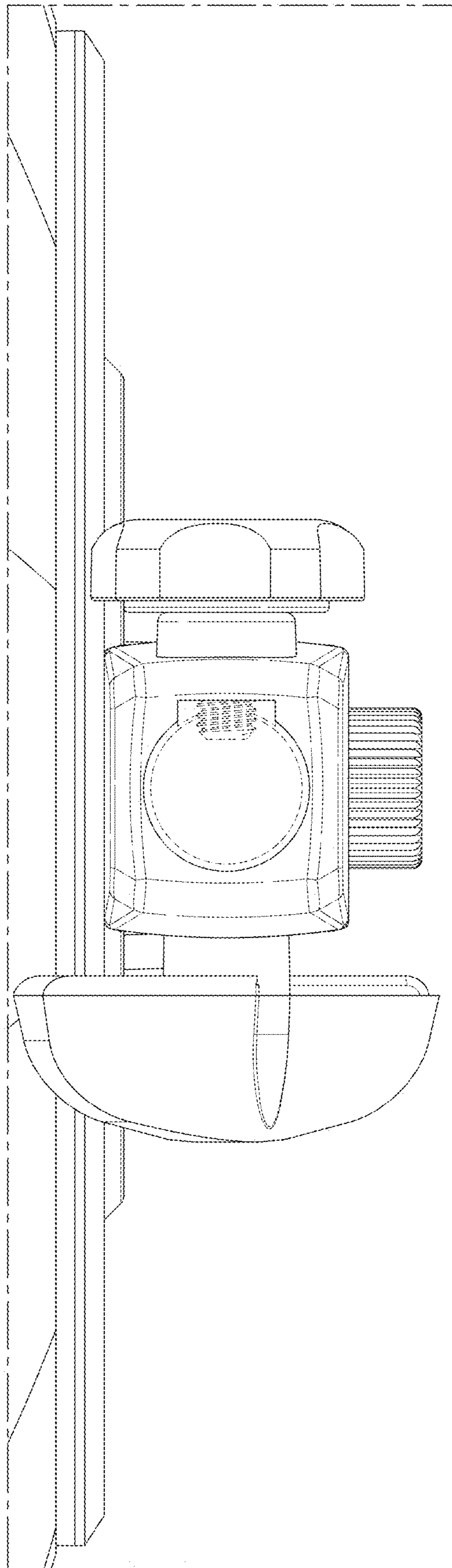


FIG. 15

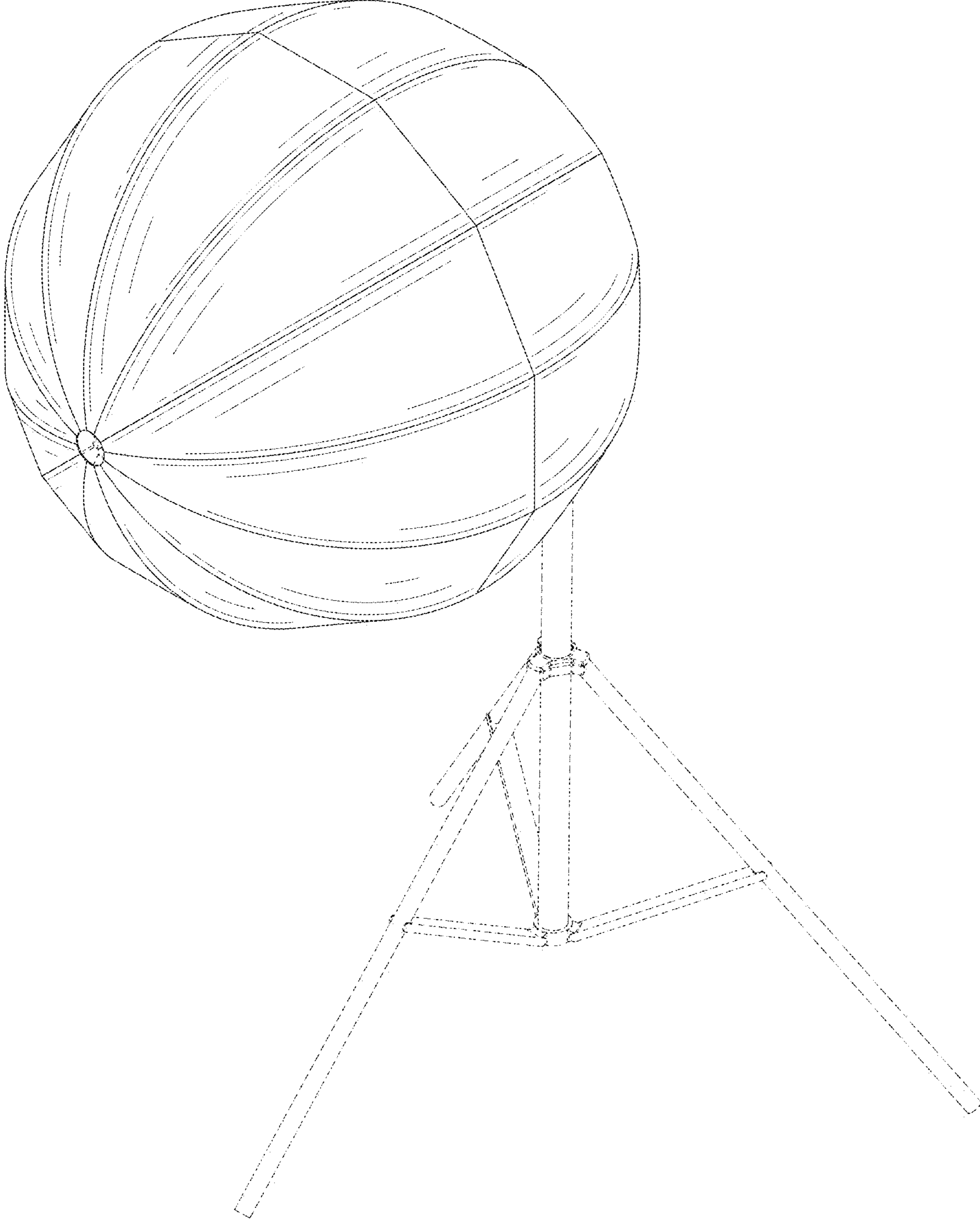


FIG. 16