



US00D973752S

(12) **United States Design Patent** (10) **Patent No.:** **US D973,752 S**  
**Li** (45) **Date of Patent:** **\*\* Dec. 27, 2022**

(54) **PROJECTOR**  
(71) Applicant: **SHENZHEN LIANJIXING TECHNOLOGY CO., LTD.**, Shenzhen (CN)  
(72) Inventor: **Hongwu Li**, Shenzhen (CN)  
(73) Assignee: **SHENZHEN LIANJIXING TECHNOLOGY CO., LTD.**, Shenzhen (CN)  
(\*\*) Term: **15 Years**

8,104,902 B2 \* 1/2012 Mao ..... G03B 21/145 348/241  
D670,322 S \* 11/2012 Lee ..... D16/230  
D727,996 S \* 4/2015 Ogawa ..... D16/230  
D850,518 S \* 6/2019 Gan ..... D16/230  
D854,072 S \* 7/2019 Gan ..... D16/230  
D865,033 S \* 10/2019 Cheng ..... D16/230  
D933,116 S \* 10/2021 Li ..... D16/230  
D939,012 S \* 12/2021 Liang ..... D16/230

\* cited by examiner

Primary Examiner — Wan Laymon

(74) Attorney, Agent, or Firm — Jeenam Park

(21) Appl. No.: **29/767,605**  
(22) Filed: **Jan. 24, 2021**  
(30) **Foreign Application Priority Data**

Sep. 4, 2020 (CN) ..... 202030519660.7

(51) **LOC (13) Cl.** ..... **16-02**

(52) **U.S. Cl.**  
USPC ..... **D16/230**

(58) **Field of Classification Search**  
USPC ..... D16/221, 225, 230–231, 234; D21/514  
CPC ..... G03B 21/00; G03B 21/14; G03B 21/145;  
G03B 21/16; G03B 21/001; G03B 21/003; G03B 21/12  
See application file for complete search history.

(56) **References Cited**  
U.S. PATENT DOCUMENTS

D503,733 S \* 4/2005 Kurokawa ..... D16/230  
D555,185 S \* 11/2007 Nozue ..... D16/230

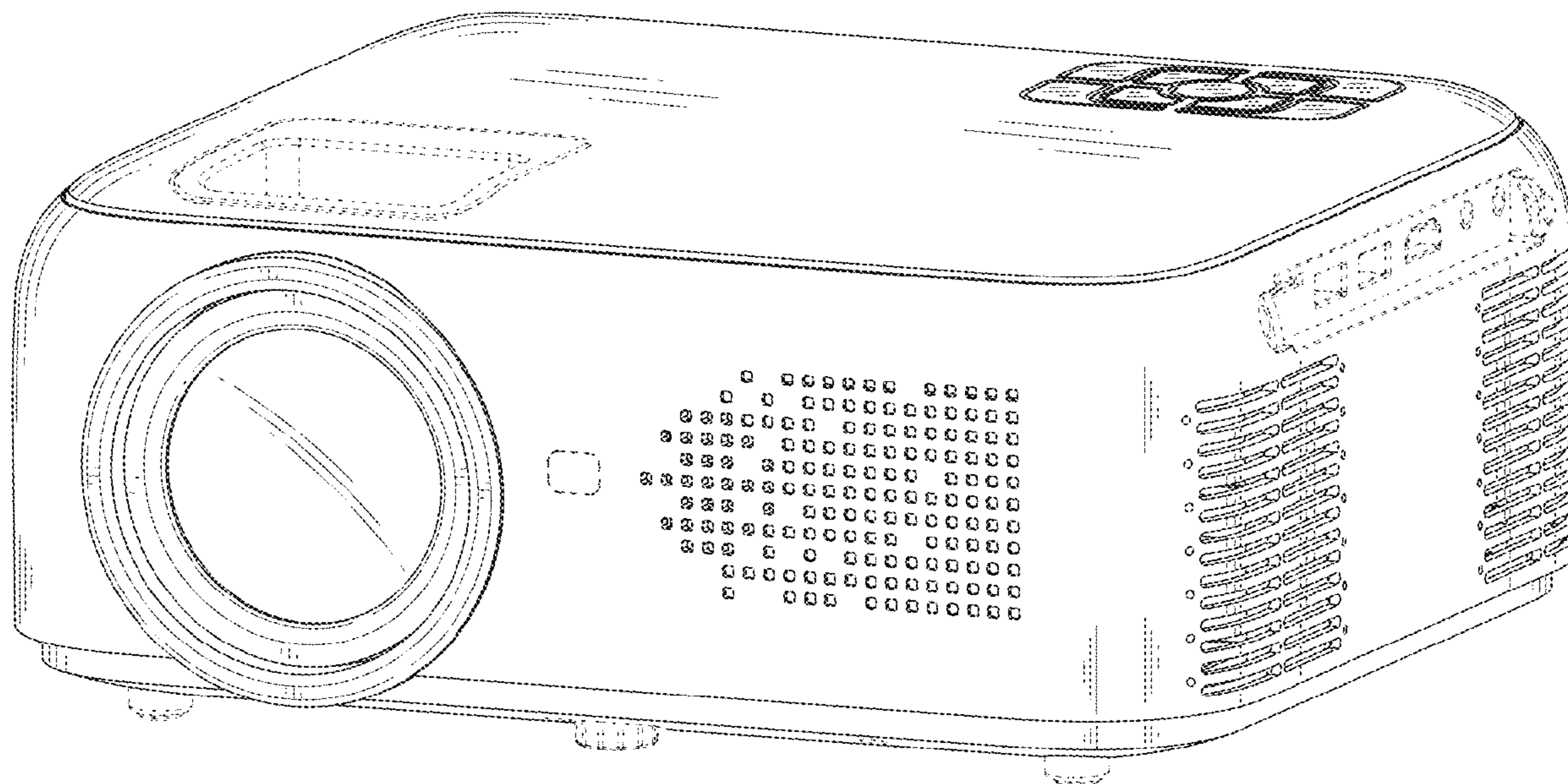
(57) **CLAIM**

The ornamental design for a projector, as shown and described.

**DESCRIPTION**

FIG. 1 is a front view of a projector showing my new design; FIG. 2 is a rear view thereof; FIG. 3 is a left side view thereof; FIG. 4 is a right side view thereof; FIG. 5 is a top plan view thereof; FIG. 6 is a bottom plan view thereof; FIG. 7 is a perspective view thereof; and, FIG. 8 is another perspective view thereof. The dashed or broken lines shown in the drawings depict portions of the projector in which the design is embodied that form no part of the claimed design.

**1 Claim, 8 Drawing Sheets**



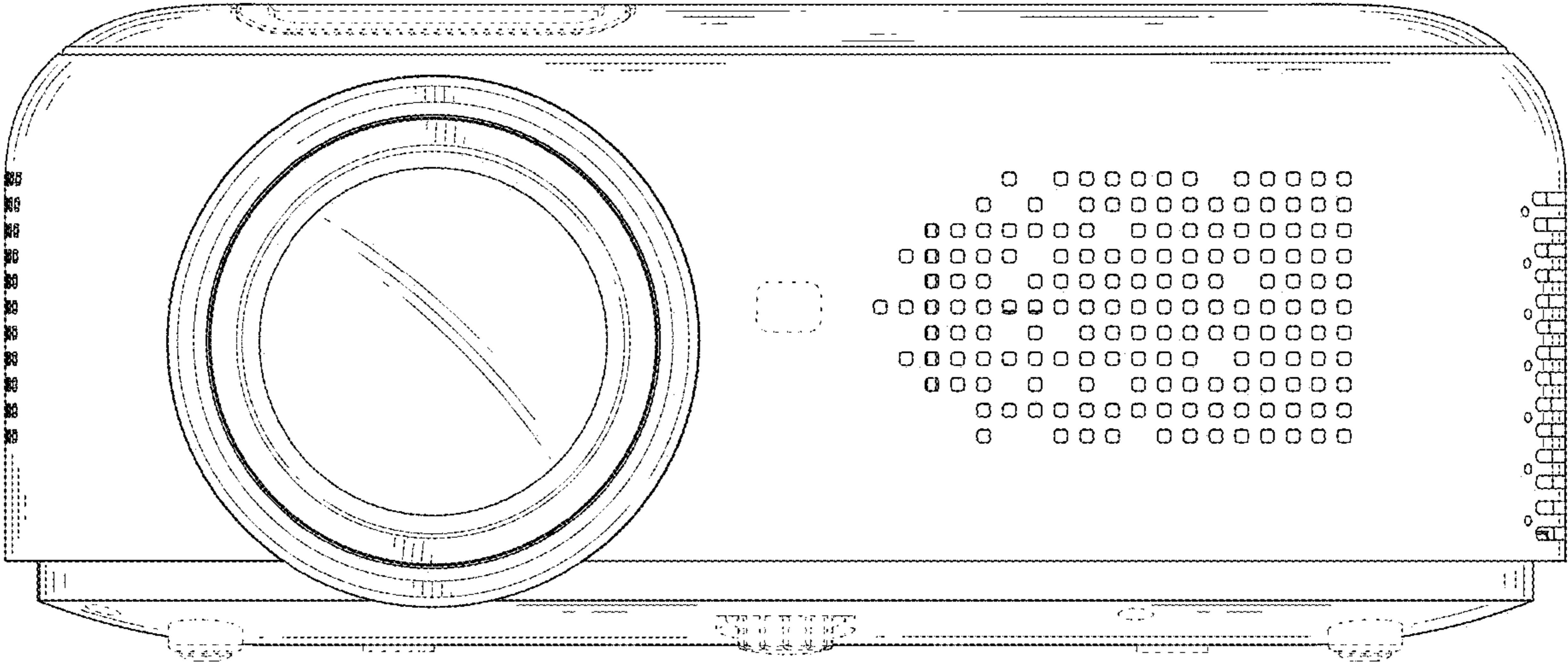


FIG. 1

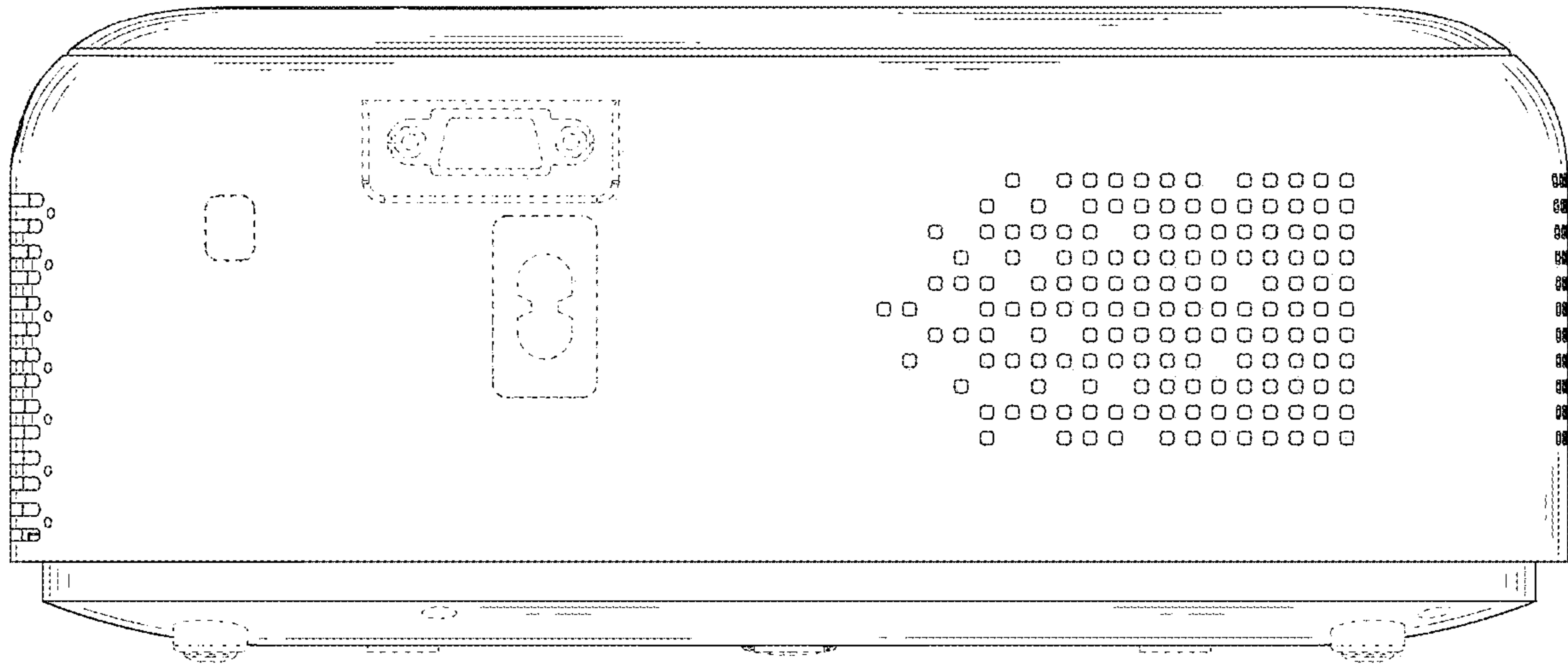


FIG. 2

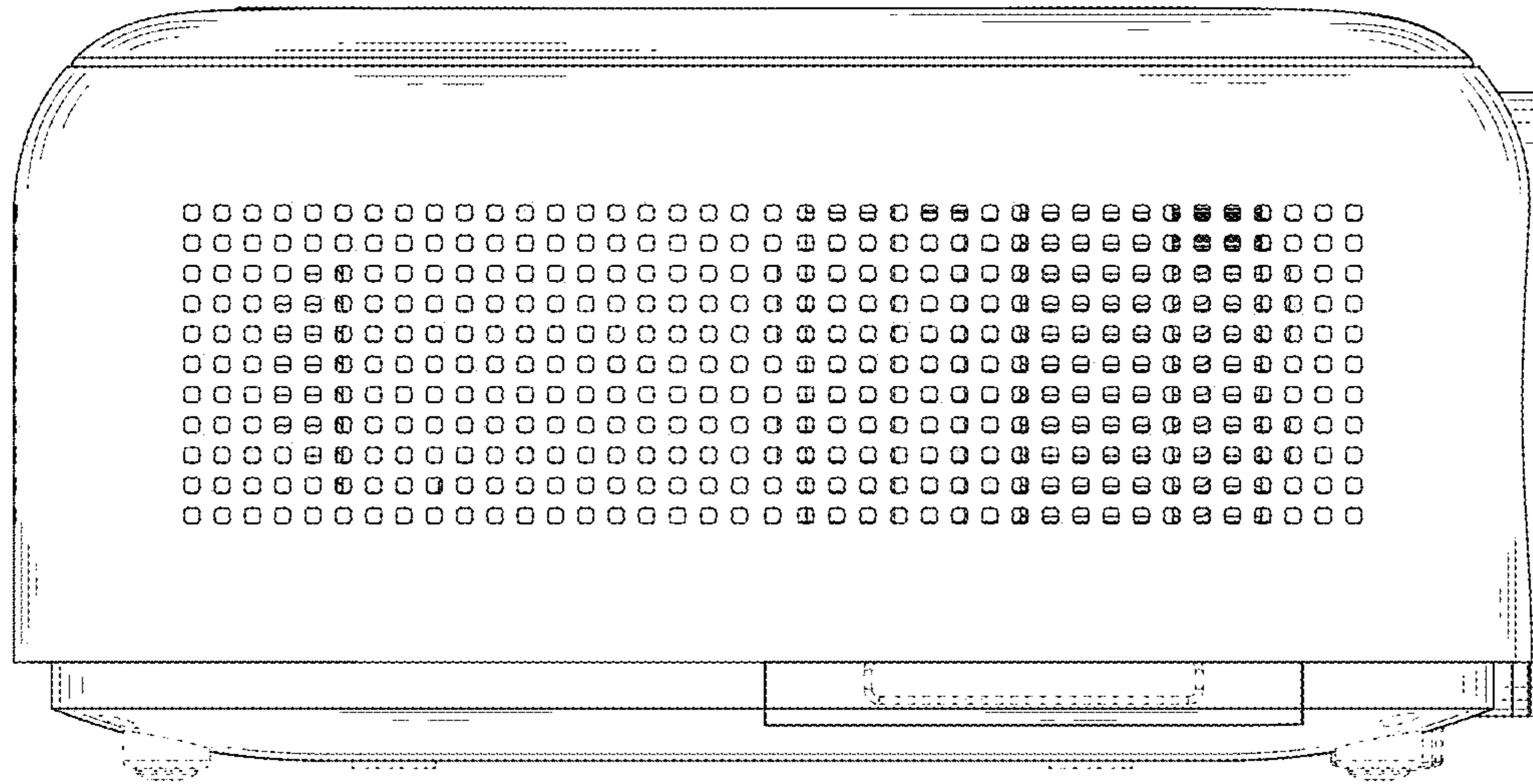


FIG. 3

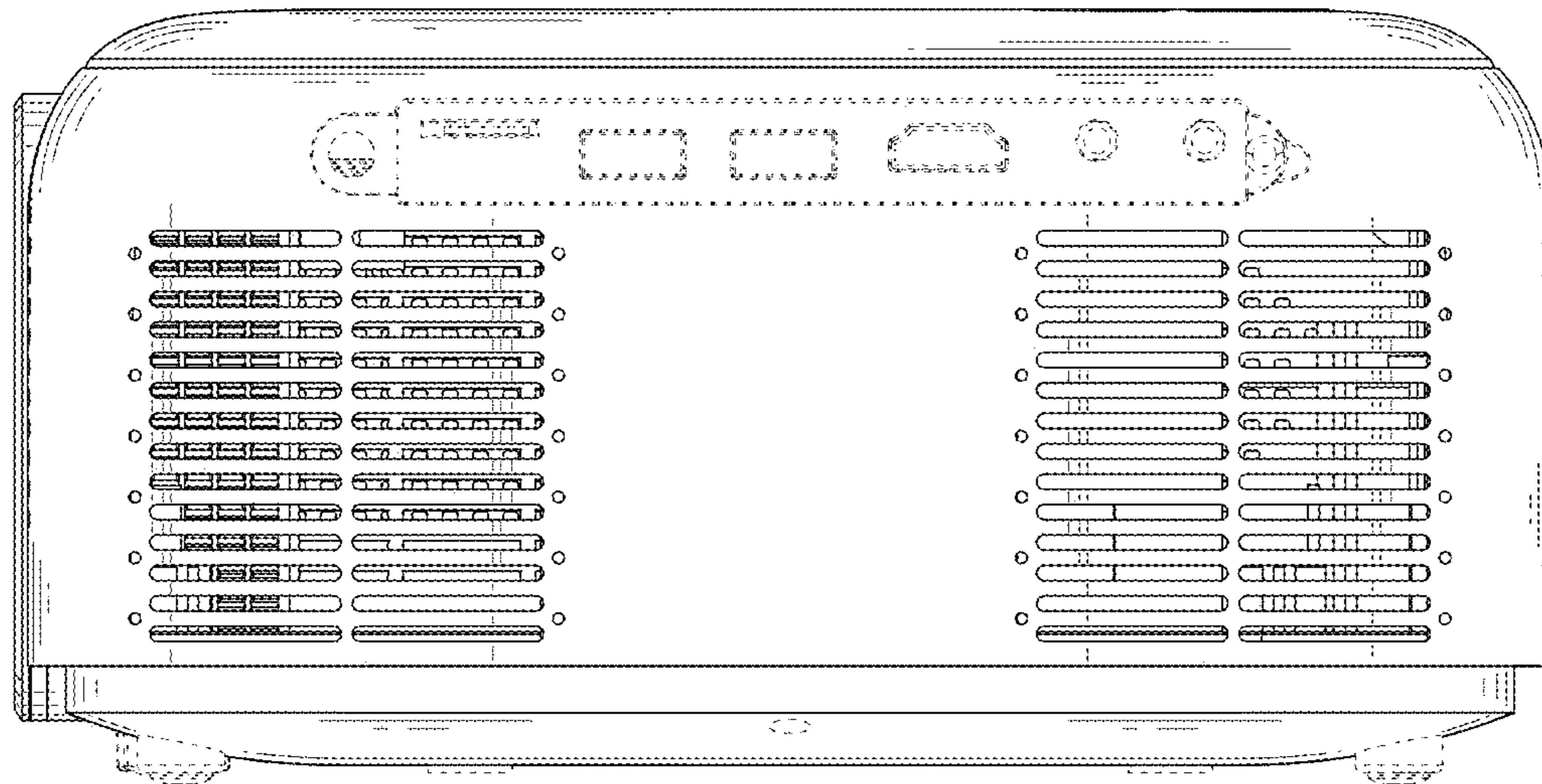


FIG. 4

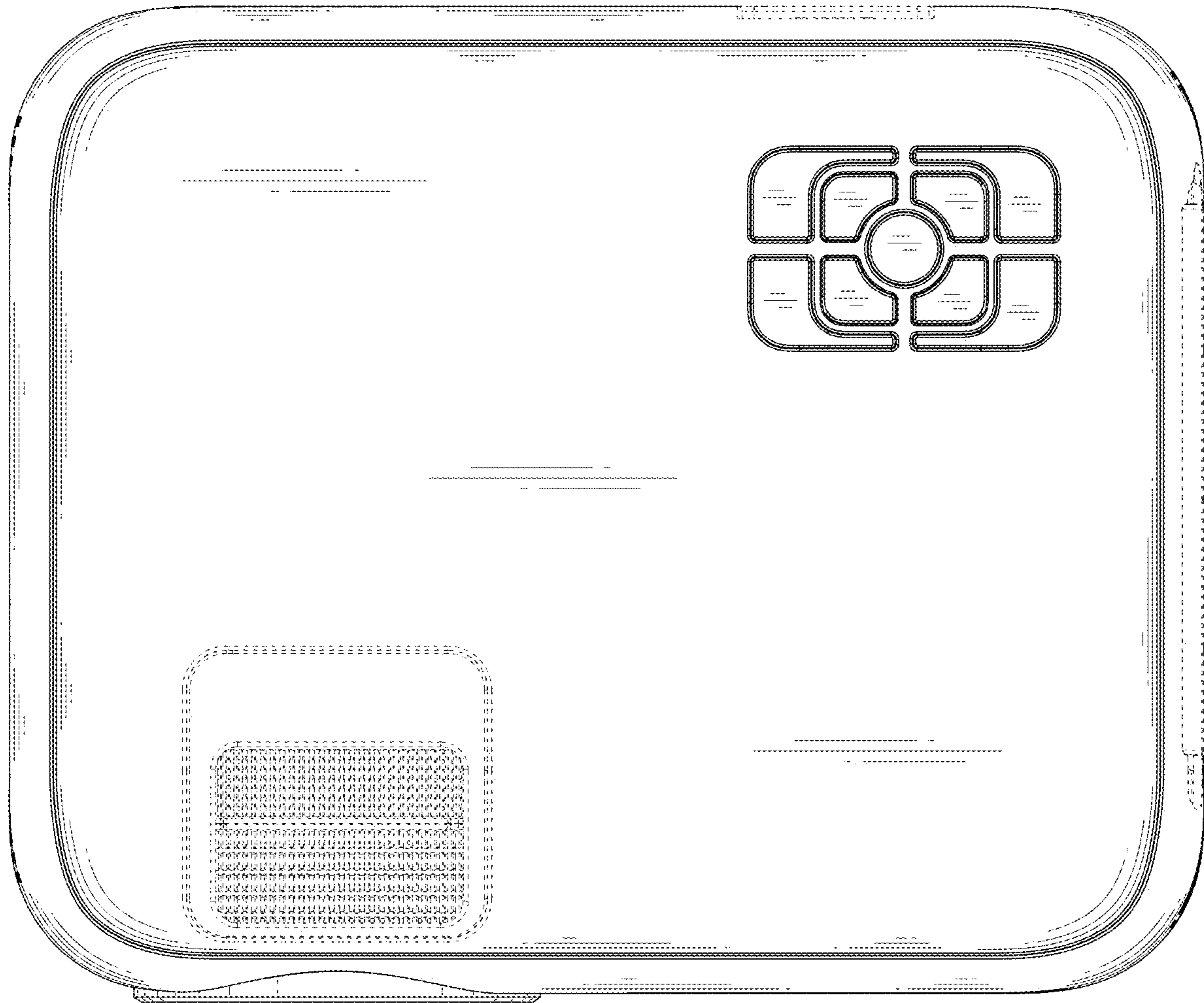


FIG. 5

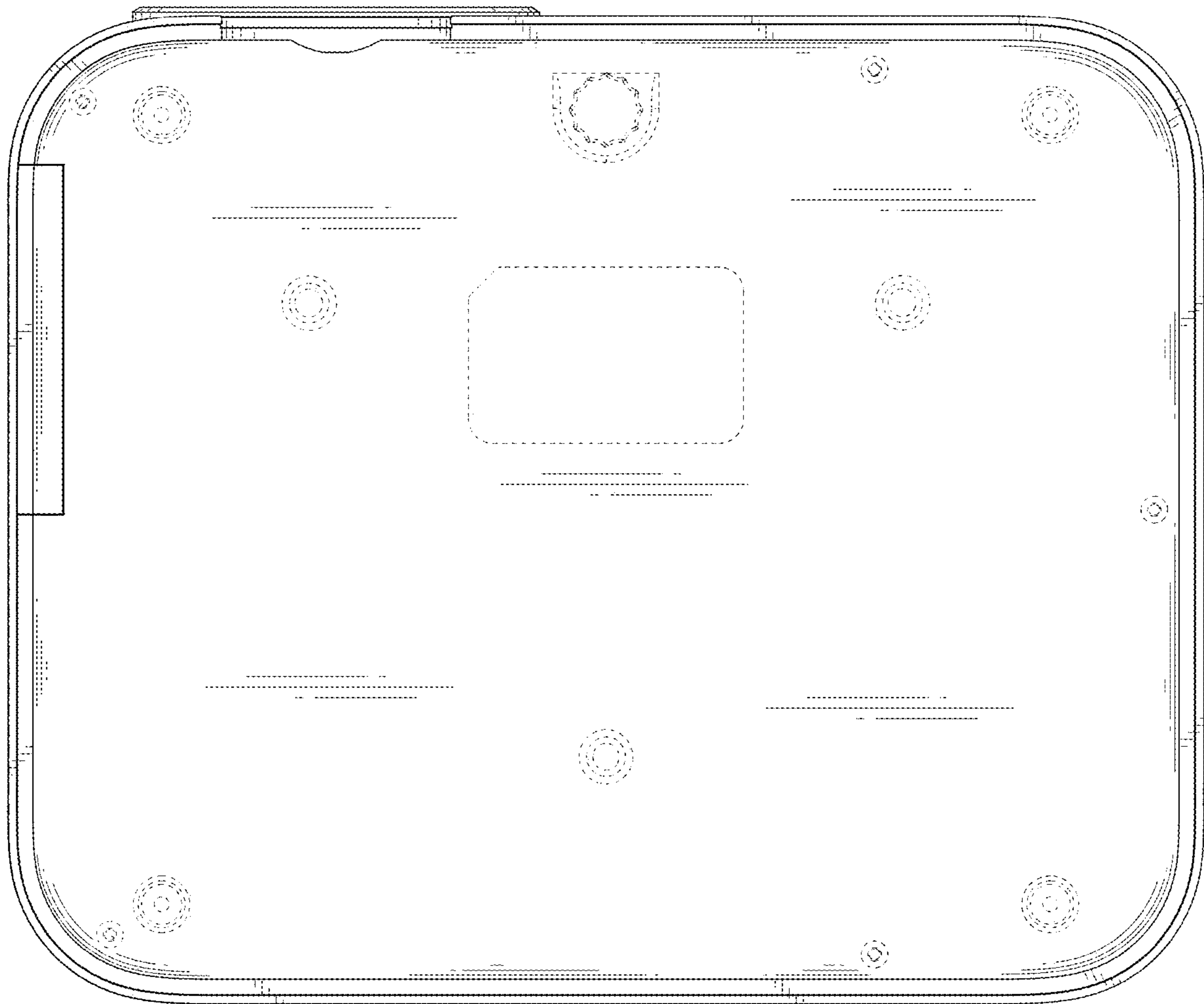


FIG. 6

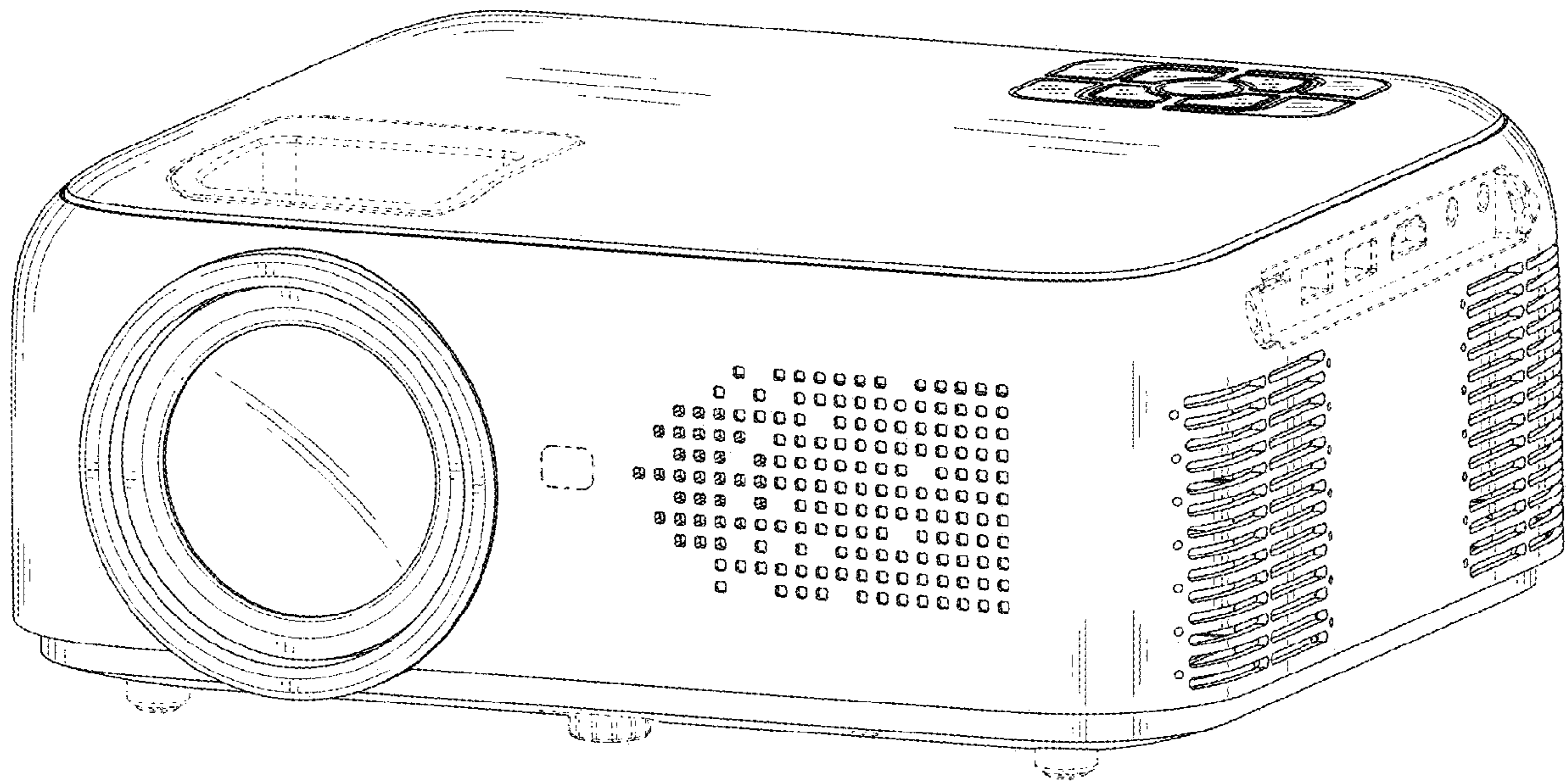


FIG. 7



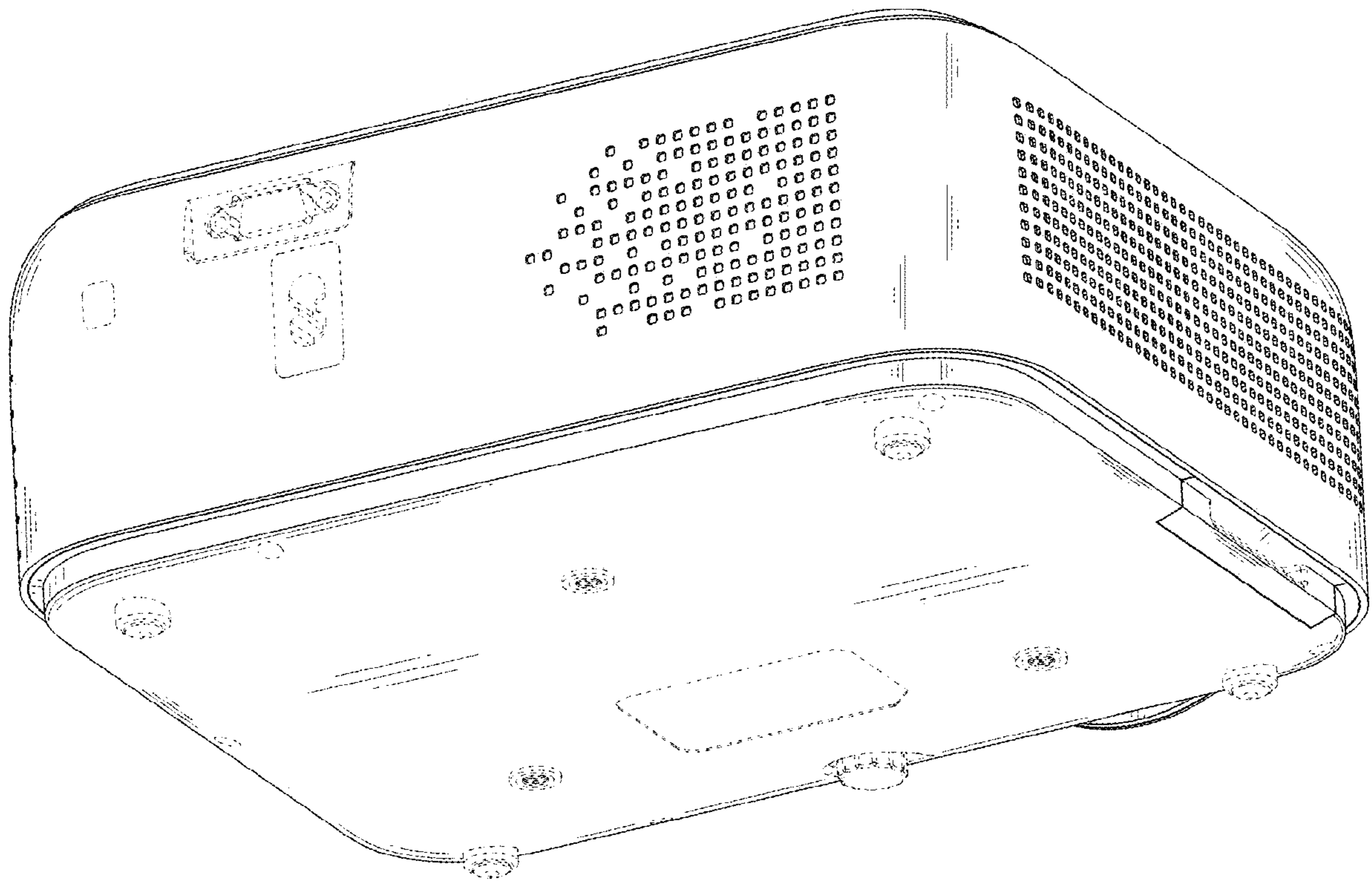


FIG. 8