

US00D973751S

(12) **United States Design Patent**  
**Wang et al.**

(10) **Patent No.:** **US D973,751 S**  
(45) **Date of Patent:** **\*\* Dec. 27, 2022**

- (54) **CAMERA LENS**
- (71) Applicant: **Shenzhen Xingyingda Industry Co., Ltd.**, Shenzhen (CN)
- (72) Inventors: **Jun Wang**, Shenzhen (CN); **Yan Ke**, Shenzhen (CN)
- (73) Assignee: **Shenzhen Xingyingda Industry Co., Ltd.**, Shenzhen (CN)
- (\*\*) Term: **15 Years**
- (21) Appl. No.: **29/842,126**
- (22) Filed: **Jun. 10, 2022**
- (51) **LOC (13) Cl.** ..... **16-05**
- (52) **U.S. Cl.**  
USPC ..... **D16/219**
- (58) **Field of Classification Search**  
USPC ..... D16/134, 136, 200, 202–205, 218, 219, D16/235  
CPC ..... G03B 17/02; G03B 19/04; G03B 17/56; G03B 17/04; G03B 15/03; H04N 5/2251; H04N 5/2252; H04N 5/2253; H04N 5/2254; G02B 7/02; G02B 7/04; G02B 7/14  
See application file for complete search history.

- D904,492 S \* 12/2020 Saito ..... D16/219
- D918,987 S \* 5/2021 Mori ..... D16/219
- D929,490 S 8/2021 Miyazawa
- D930,731 S 9/2021 Uetsuji
- D932,536 S 10/2021 Yoon et al.
- D934,329 S 10/2021 Imamizu et al.
- D937,925 S 12/2021 Takano
- D937,926 S 12/2021 Nagaoka et al.

(Continued)

*Primary Examiner* — Ramzi Almatrahi  
(74) *Attorney, Agent, or Firm* — Westbridge IP LLC

(57) **CLAIM**

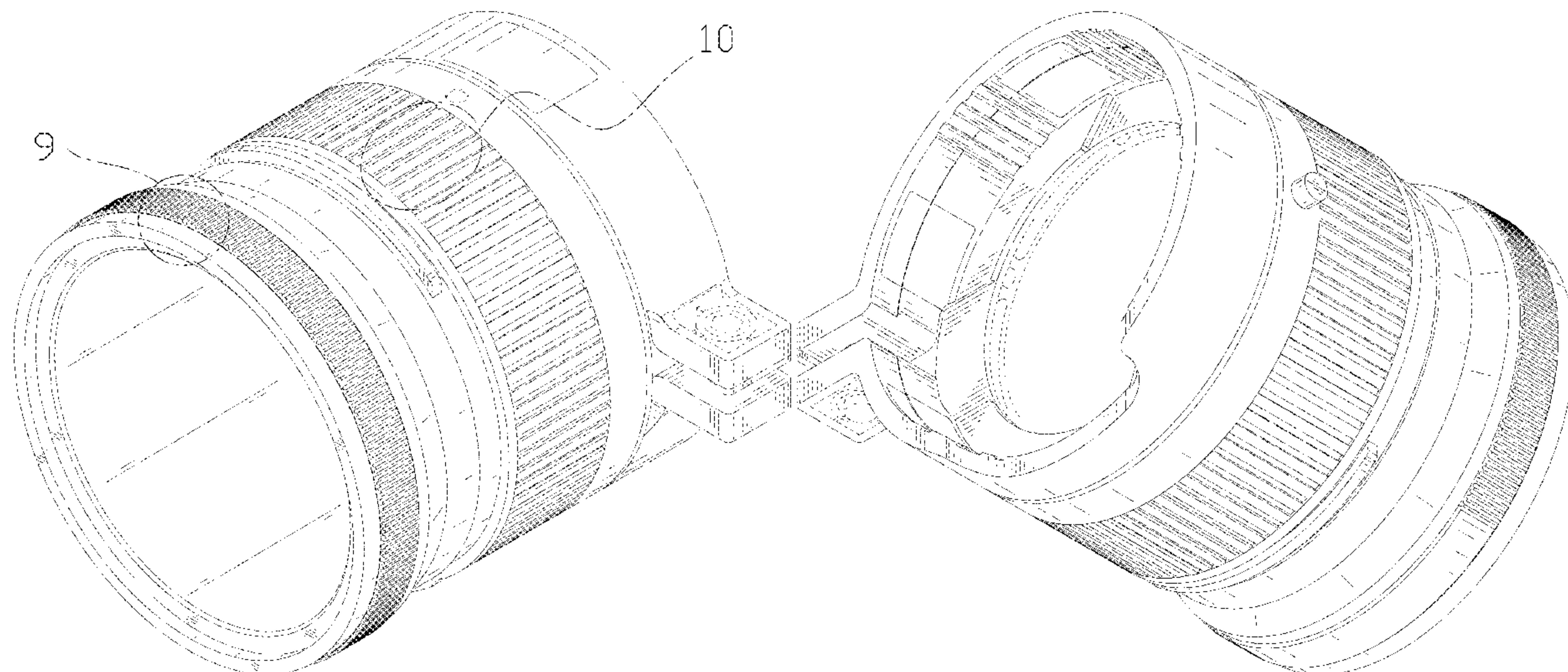
The ornamental design for a camera lens, as shown and described.

**DESCRIPTION**

FIG. 1 is a front and top perspective view of a camera lens showing our new design;  
 FIG. 2 is a rear and bottom perspective view thereof;  
 FIG. 3 is a front elevation view thereof;  
 FIG. 4 is a rear elevation view thereof;  
 FIG. 5 is a left side elevation view thereof;  
 FIG. 6 is a right side elevation view thereof;  
 FIG. 7 is a top plan view thereof;  
 FIG. 8 is a bottom plan view thereof;  
 FIG. 9 is an enlarged view of portion 9 shown in FIG. 1;  
 FIG. 10 is an enlarged view of portion 10 shown in FIG. 1;  
 FIG. 11 is an exploded front and top perspective view thereof;  
 FIG. 12 is a front and top perspective view thereof, shown with the camera lens in an alternate configuration; and  
 FIG. 13 is an exploded front and top perspective view thereof.

The broken lines depict portions of the camera lens in which the design is embodied that form no part of the claimed design. The dot-dash broken lines encircling an enlargement portion of the design forms no part of the claimed design.

**1 Claim, 13 Drawing Sheets**



(56)

**References Cited**

U.S. PATENT DOCUMENTS

D949,946 S	4/2022	Sakai
D954,779 S	6/2022	Ikegame
D955,462 S	6/2022	Sakai

\* cited by examiner



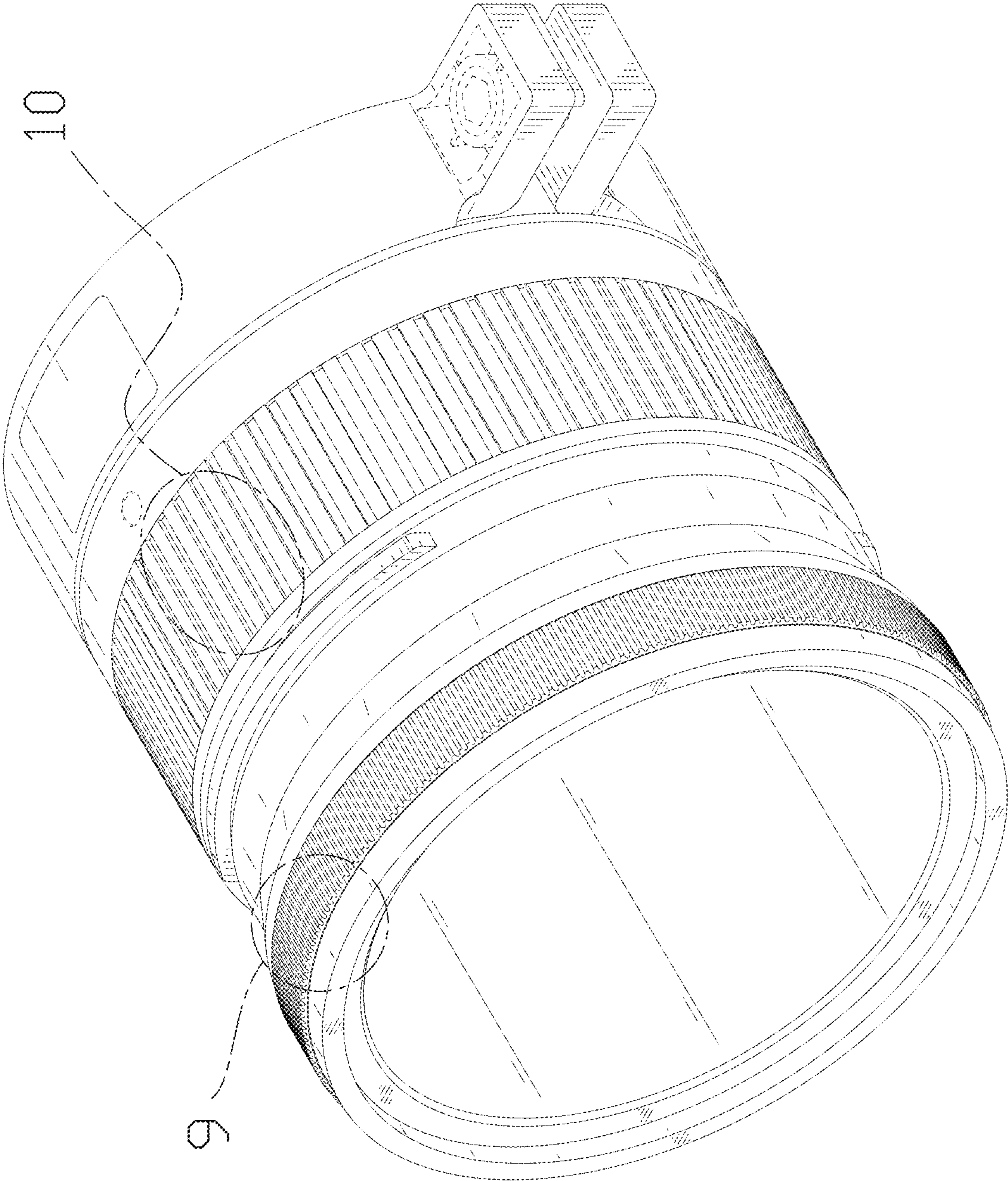


FIG. 1

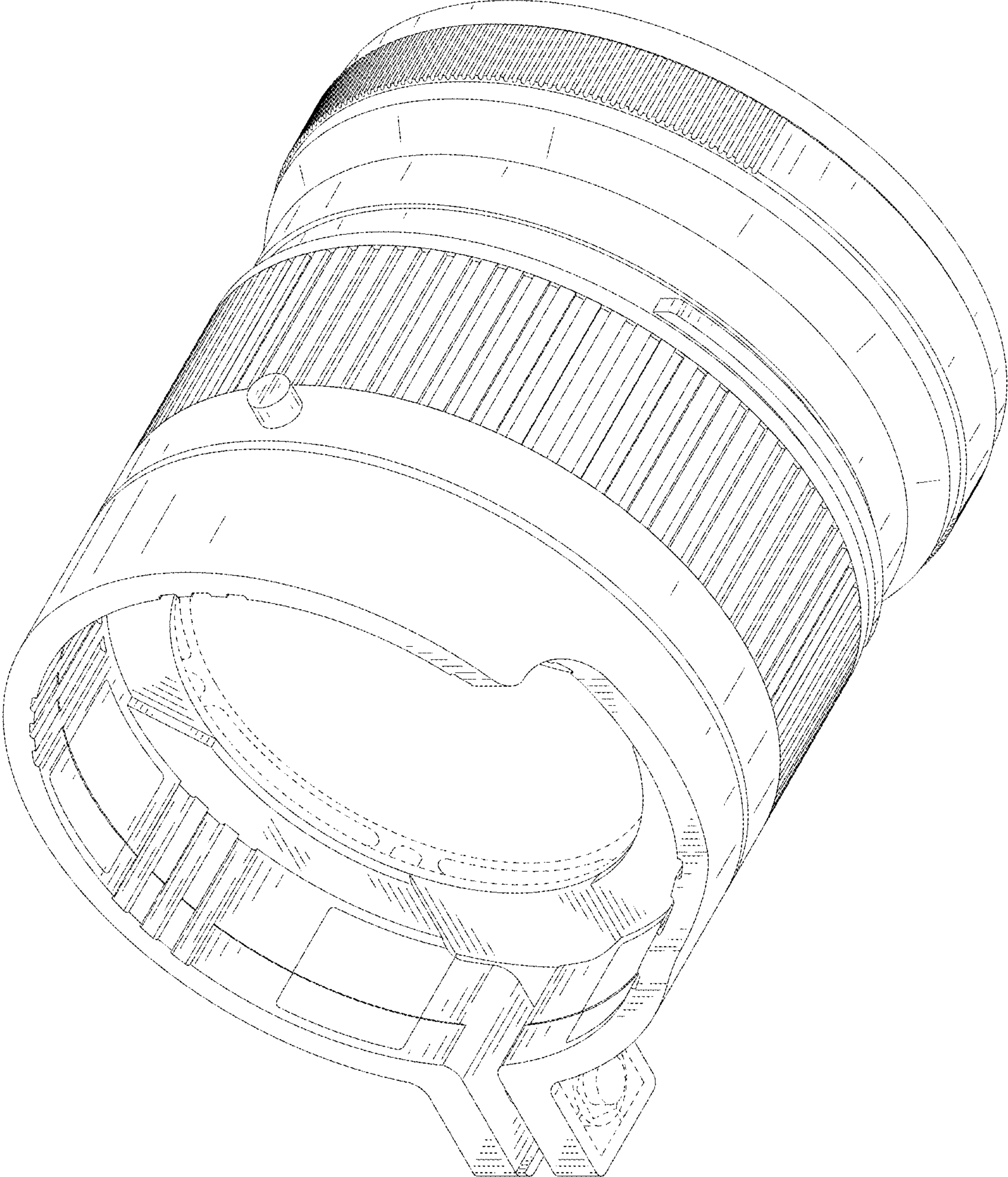


FIG. 2

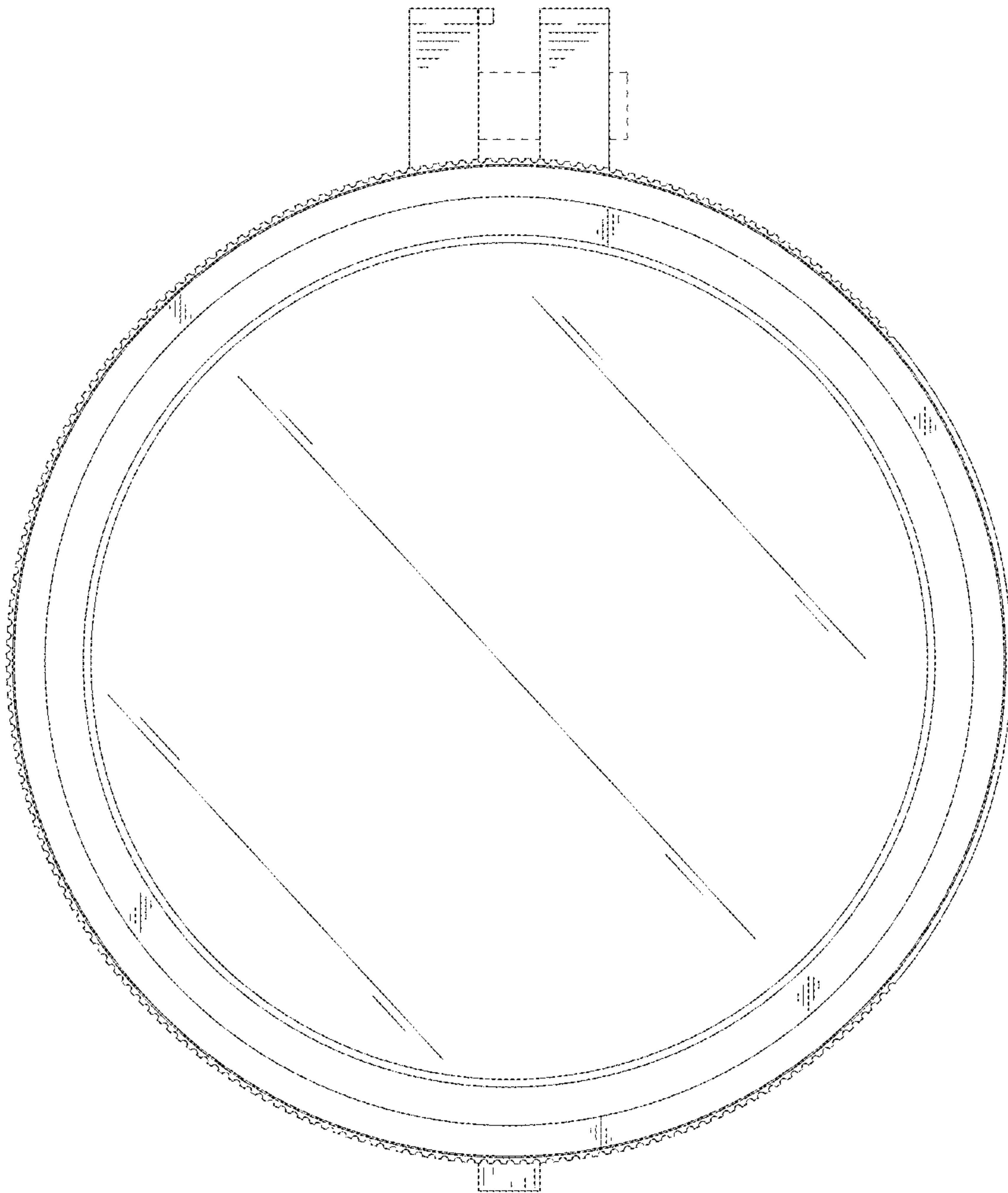


FIG. 3



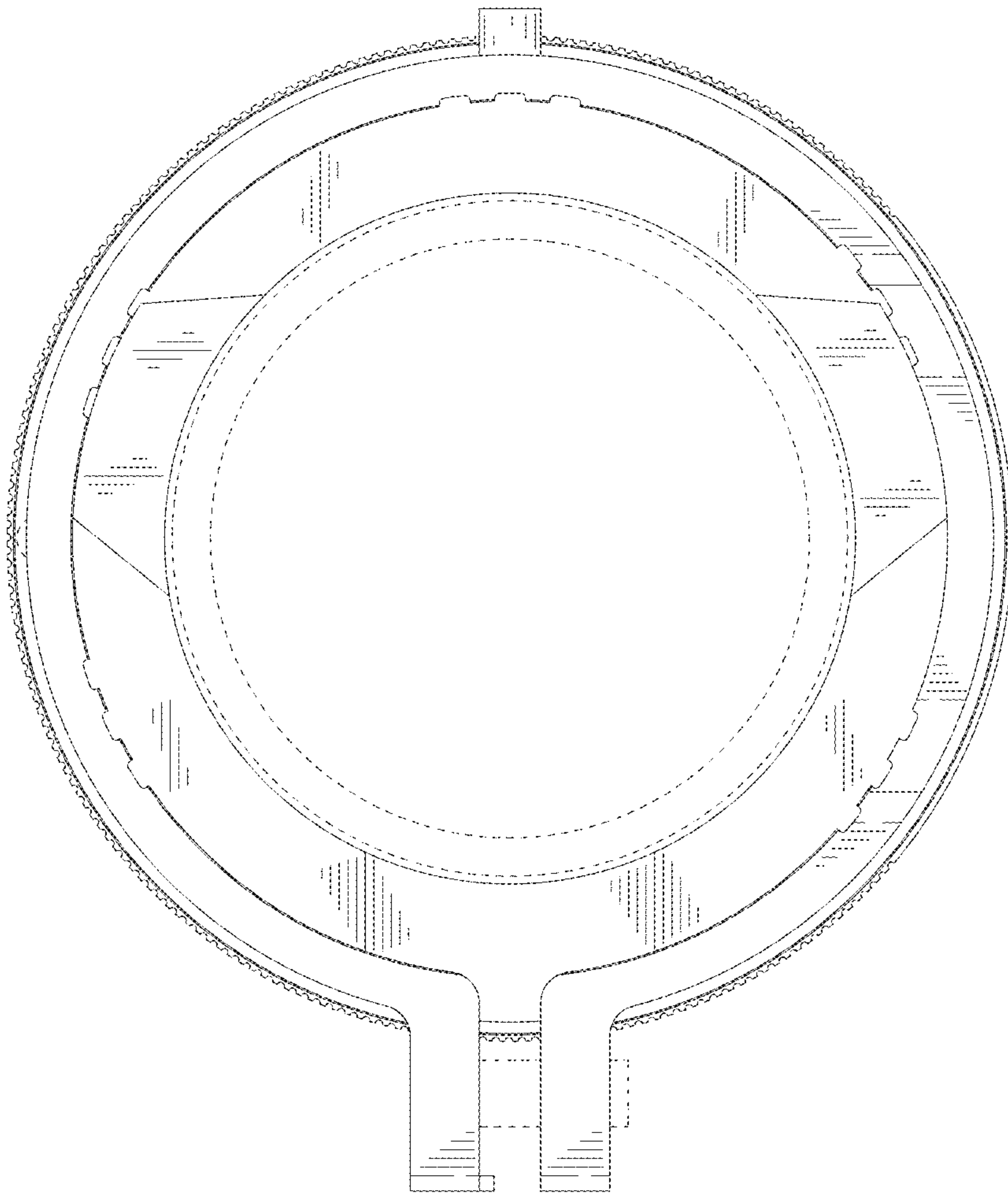


FIG. 4

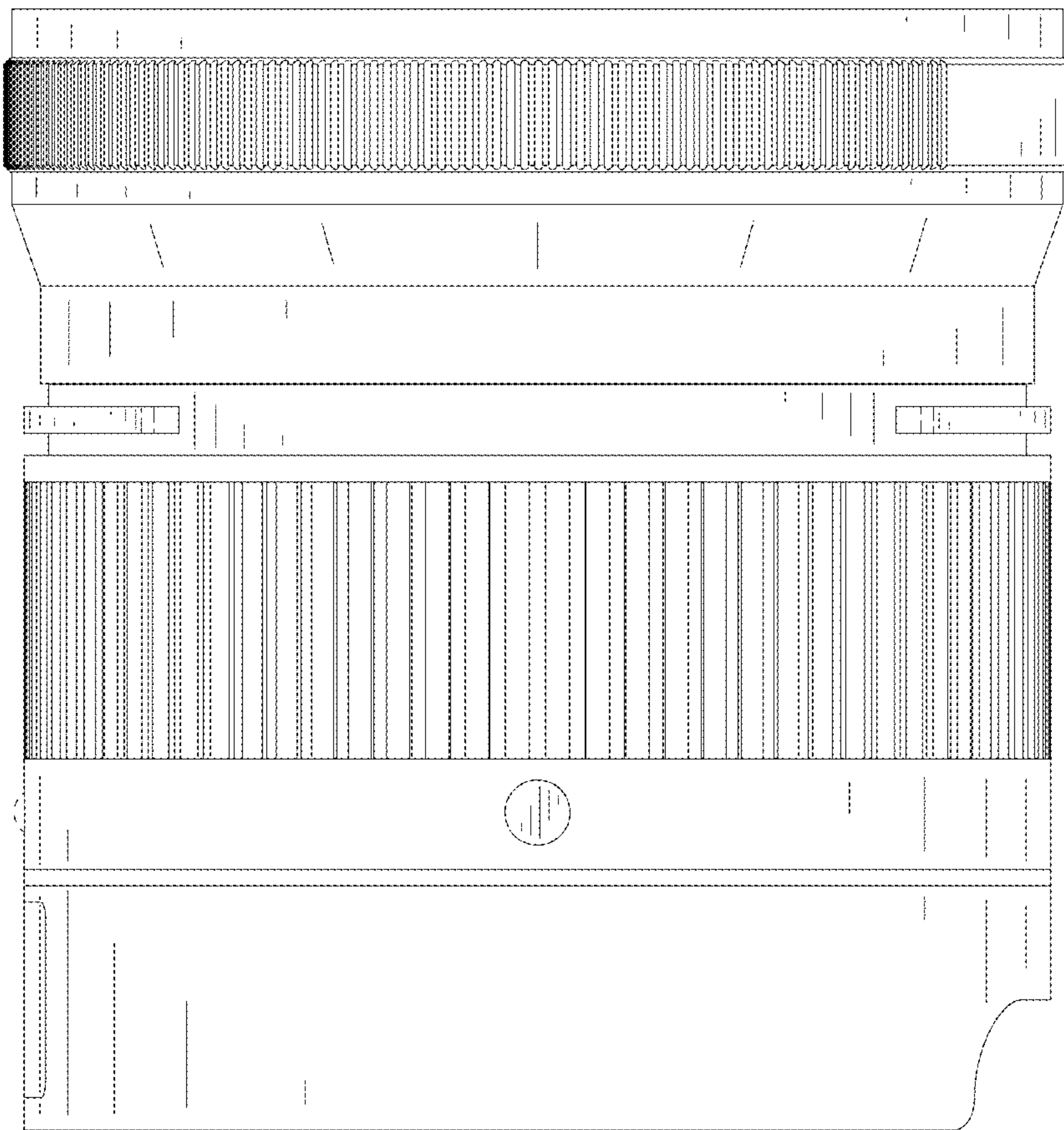


FIG. 5

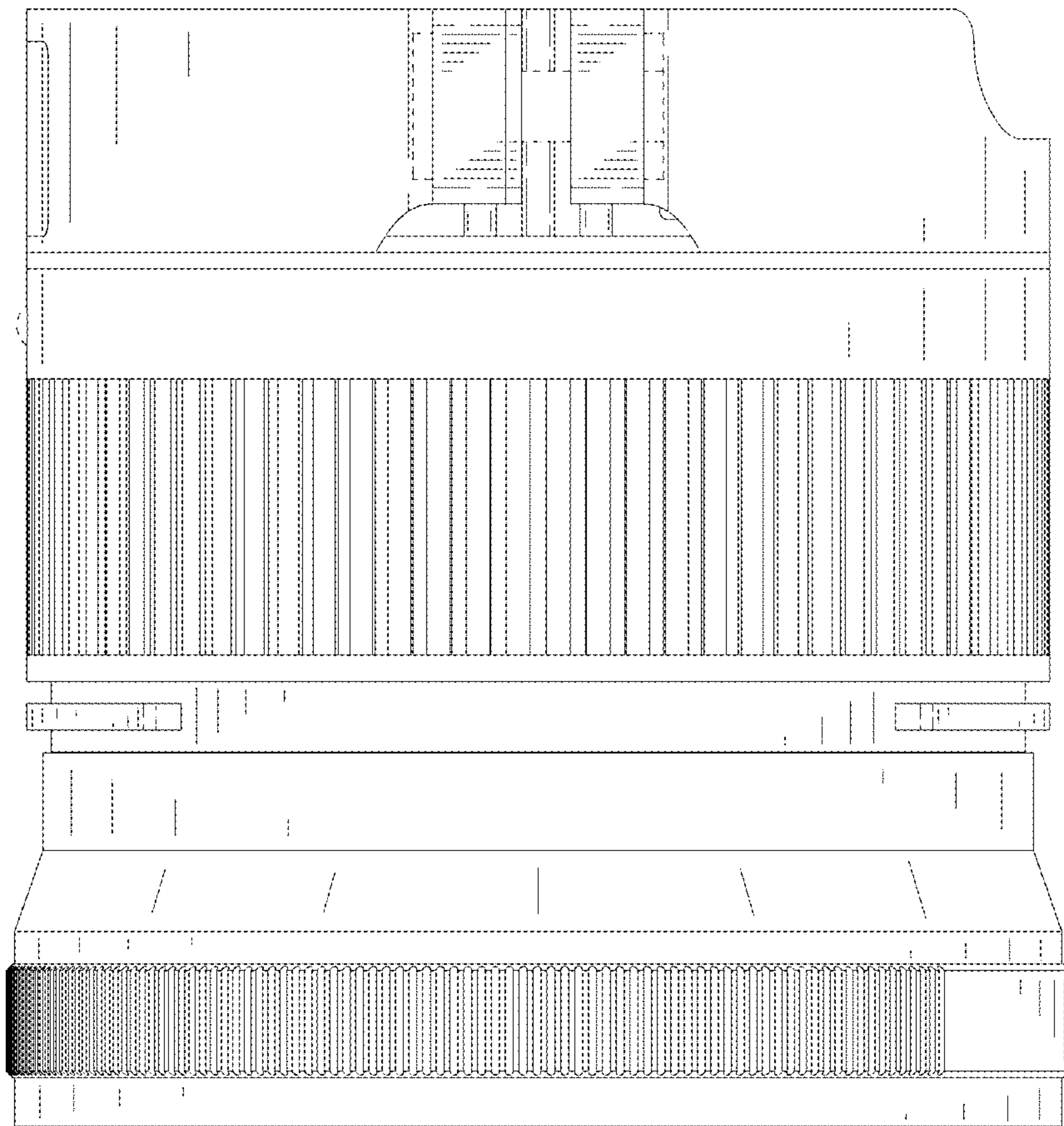


FIG. 6



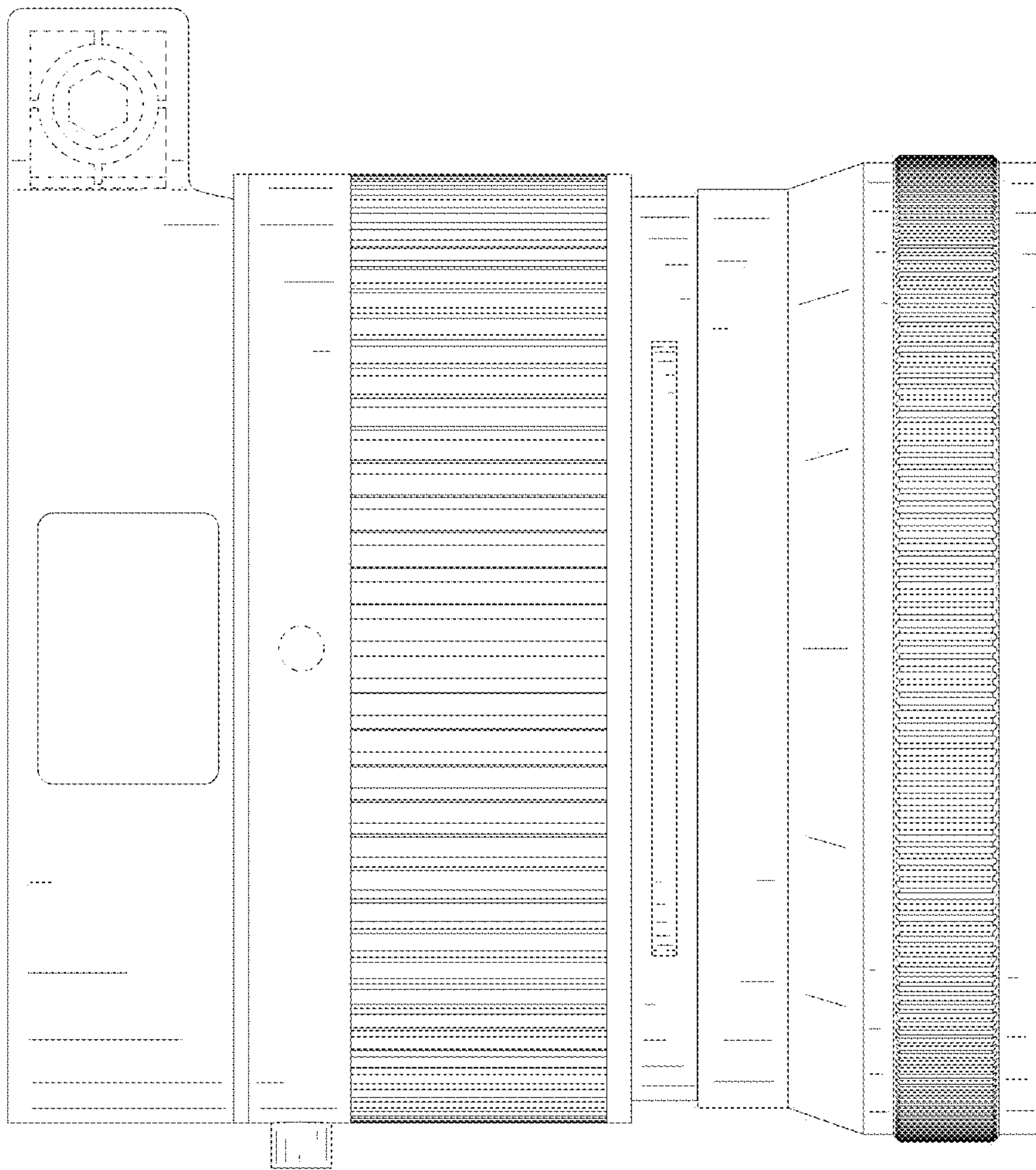


FIG. 7

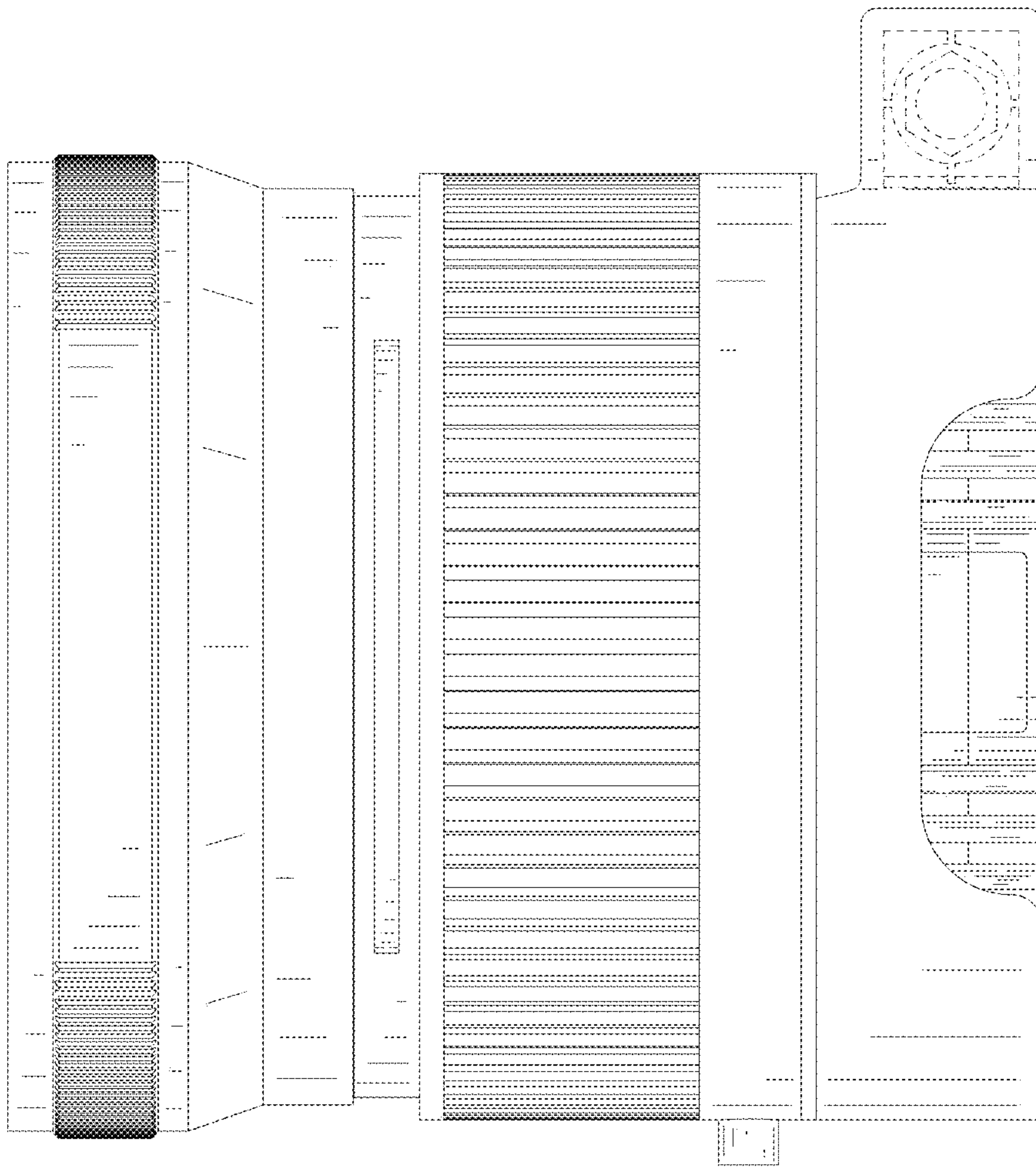


FIG. 8

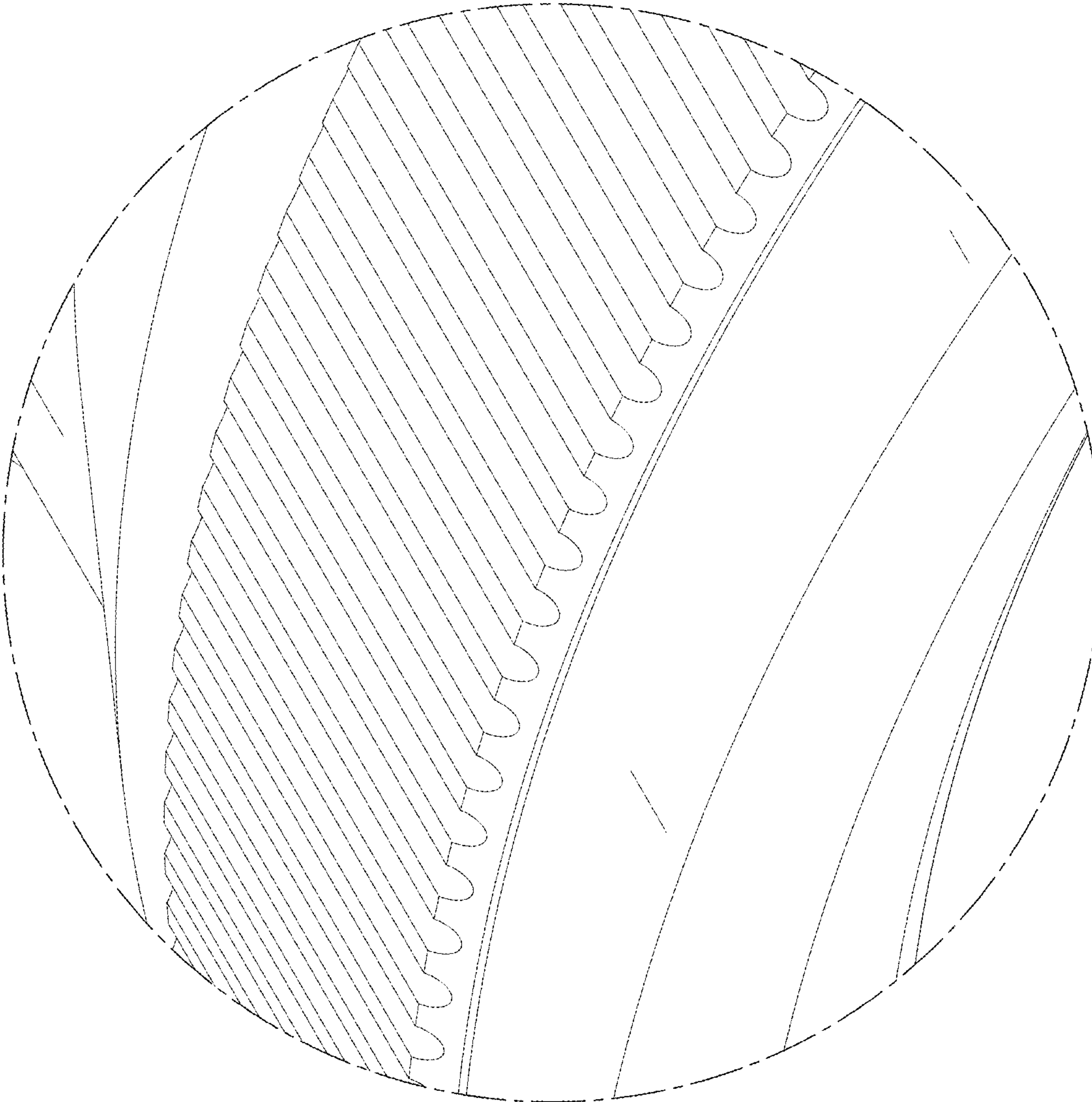


FIG. 9



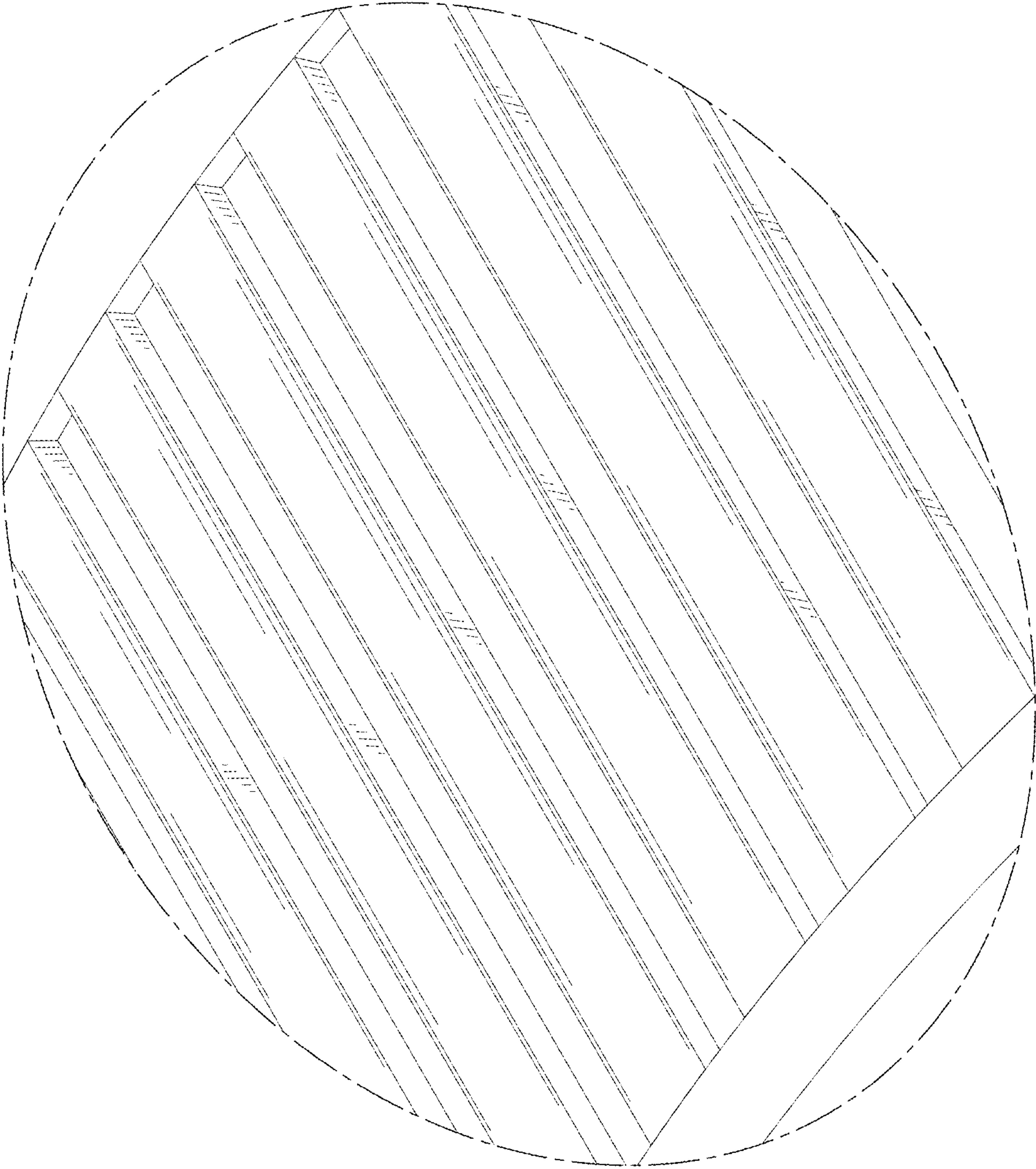


FIG. 10

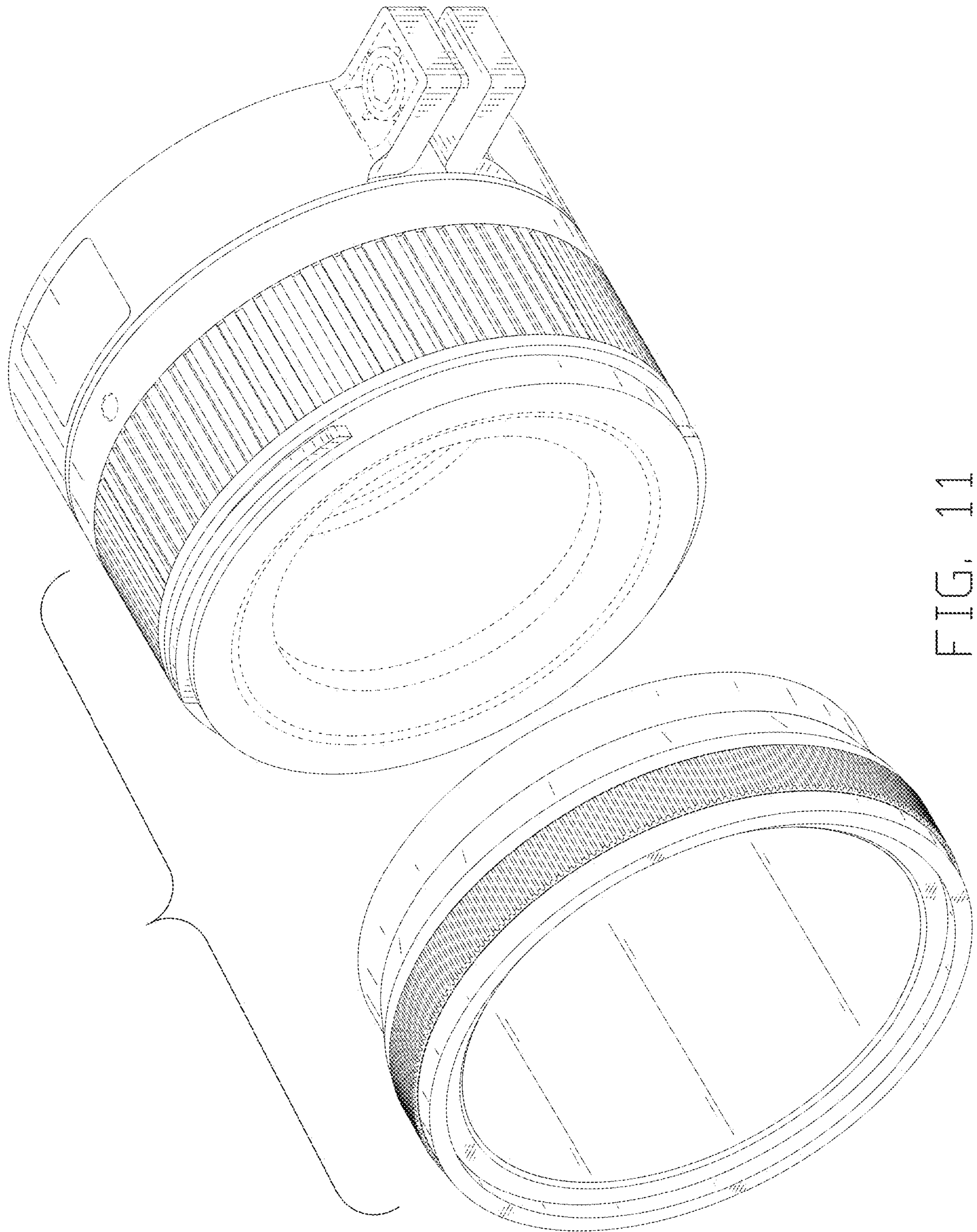


FIG. 11



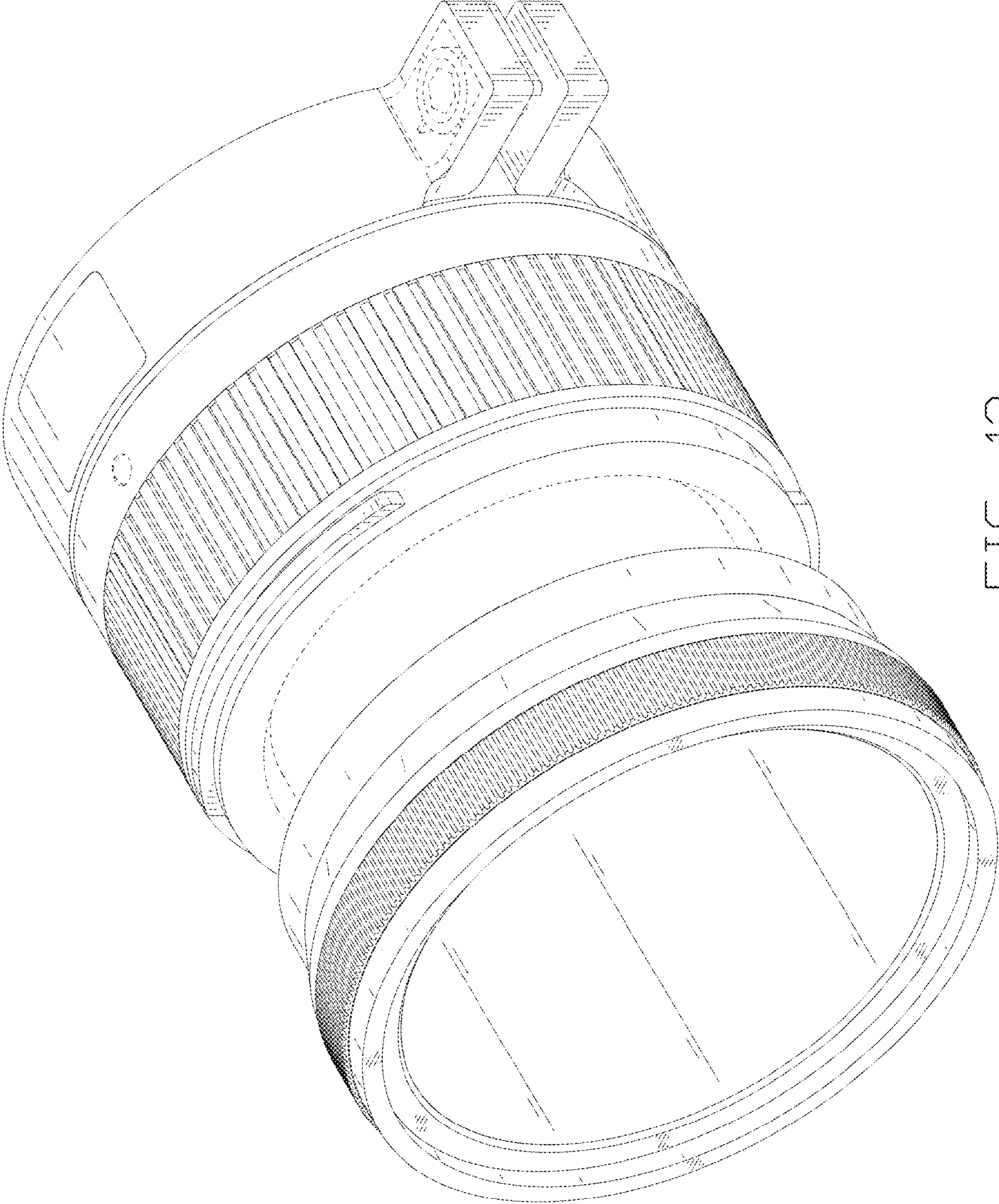


FIG. 12



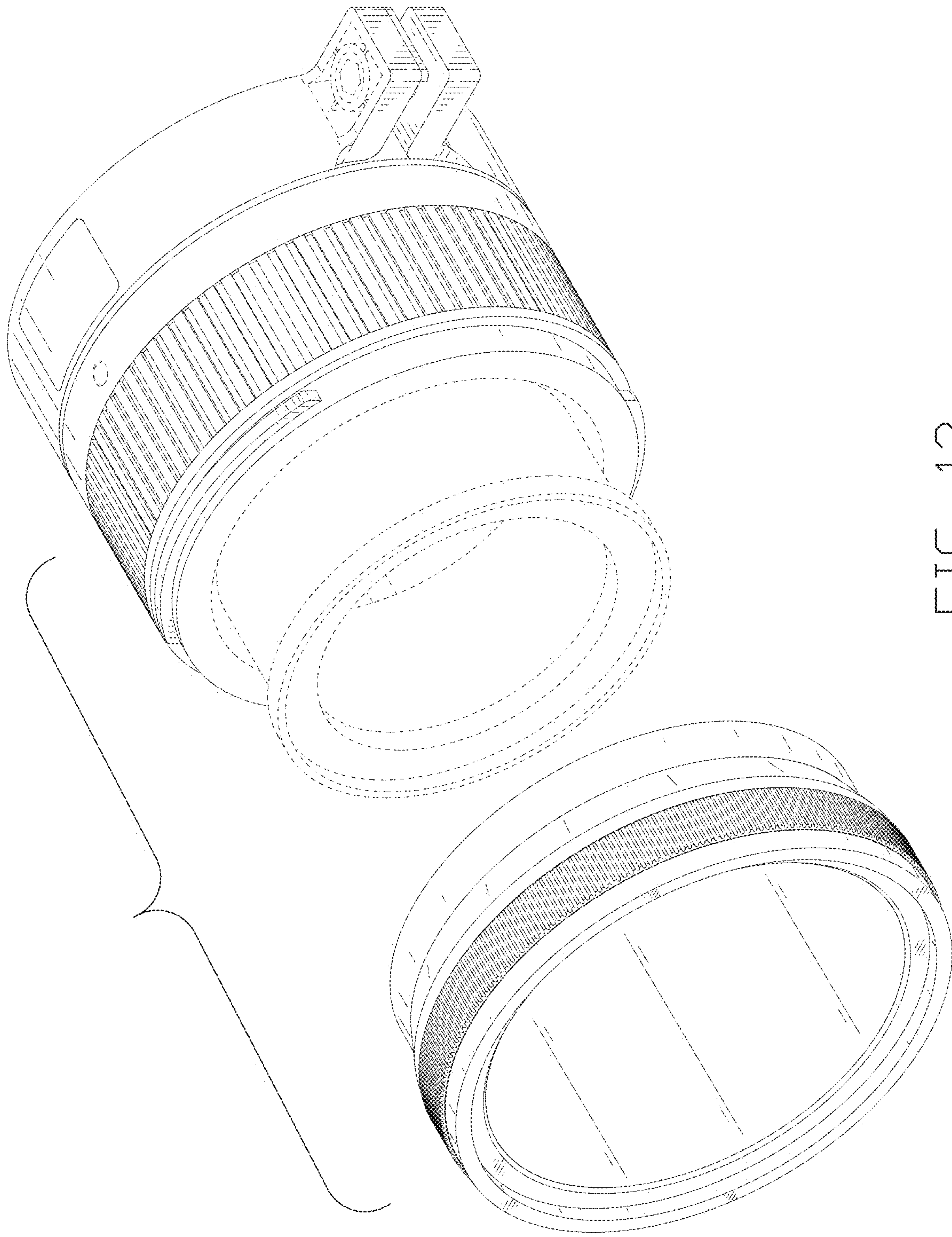


FIG. 13