



US00D973750S

(12) **United States Design Patent**  
**Xu et al.**

(10) **Patent No.:** **US D973,750 S**

(45) **Date of Patent:** **\*\* Dec. 27, 2022**

(54) **CAMERA**

(71) Applicant: **SHENZHEN RUIBOSI ELECTRONIC CO., LTD.**, Shenzhen (CN)

(72) Inventors: **Haifei Xu**, Shenzhen (CN); **Huiqiang Zhong**, Shenzhen (CN)

(73) Assignee: **SHENZHEN RUIBOSI ELECTRONIC CO., LTD.**, Shenzhen (CN)

(\*\*) Term: **15 Years**

(21) Appl. No.: **29/780,801**

(22) Filed: **Apr. 27, 2021**

(30) **Foreign Application Priority Data**

Feb. 22, 2021 (CN) ..... 20213010169.0

(51) **LOC (13) Cl.** ..... **16-01**

(52) **U.S. Cl.**  
USPC ..... **D16/203**

(58) **Field of Classification Search**  
USPC ..... D16/200, 202-204, 208, 211, 214, 218,  
D16/219, 243; D10/57, 70  
CPC .... G03B 17/00; G03B 17/02; G03B 2217/00;  
H04N 5/225  
See application file for complete search history.

(56) **References Cited**

**U.S. PATENT DOCUMENTS**

D467,952 S *	12/2002	Nakamura	.....	D16/202
D502,196 S *	2/2005	Miyazaki	.....	D16/202
D556,803 S *	12/2007	Ishida	.....	D16/202
D558,249 S *	12/2007	Hsia	.....	D16/203
D583,845 S *	12/2008	Hayashi	.....	D16/203
D626,984 S *	11/2010	Miyaji	.....	D16/202
D661,718 S *	6/2012	Tang	.....	D16/202
D728,654 S *	5/2015	Lee	.....	D16/202

D752,675 S *	3/2016	Ravat	.....	D16/203
D813,926 S *	3/2018	Shin	.....	D16/203
D836,148 S *	12/2018	Jeong	.....	D16/203
D845,373 S *	4/2019	Mittleman	.....	D16/202
D861,762 S *	10/2019	Gan	.....	D16/203
D869,540 S *	12/2019	Huang	.....	D16/202
D924,961 S *	7/2021	Xu	.....	D16/203
D952,022 S *	5/2022	Yang	.....	D16/203
D956,851 S *	7/2022	Zhang	.....	D16/203
D957,500 S *	7/2022	Li	.....	D16/203
D960,955 S *	8/2022	Liu	.....	D16/203
2006/0147194 A1 *	7/2006	Jones	.....	H04N 5/2252 348/E5.026
2007/0040930 A1 *	2/2007	Lee	.....	H04N 5/2251 239/602

(Continued)

**OTHER PUBLICATIONS**

“RBX-S10,” Jul. 21, 2020, retrieved Sep. 18, 2022 from <https://fccid.io/2AWT7-RBX-S10> (Year: 2020).\*

*Primary Examiner* — Maria J. Edwards  
*Assistant Examiner* — Dina Michelle Hoeynck

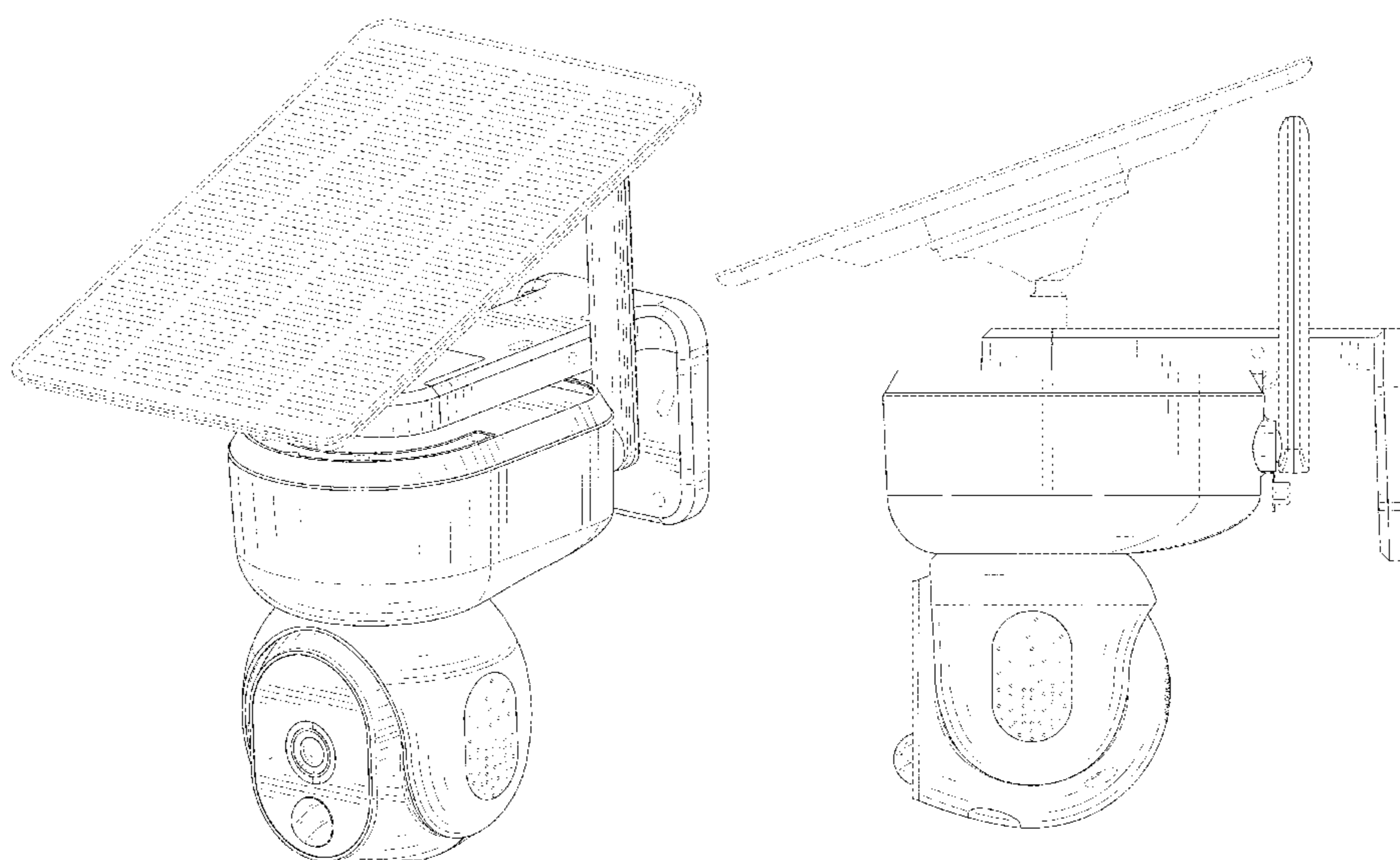
(57) **CLAIM**

The ornamental design for a camera, as shown and described.

**DESCRIPTION**

FIG. 1 is a rear and bottom perspective view of a camera, showing our new design;  
FIG. 2 is a front and top perspective view thereof;  
FIG. 3 is a front elevation view thereof;  
FIG. 4 is a rear elevation view thereof;  
FIG. 5 is a left side elevation view thereof;  
FIG. 6 is a right side elevation view thereof;  
FIG. 7 is a top plan view thereof; and,  
FIG. 8 is a bottom plan view thereof.  
The broken lines in the figures illustrate portions of the camera that form no part of the claimed design.

**1 Claim, 8 Drawing Sheets**



(56)

**References Cited**

U.S. PATENT DOCUMENTS

2008/0008467 A1\* 1/2008 Liu ..... H04N 5/2251  
396/427  
2014/0240494 A1\* 8/2014 Wada ..... H04N 5/23299  
348/143  
2022/0100060 A1\* 3/2022 Obana ..... H04N 5/2252

\* cited by examiner

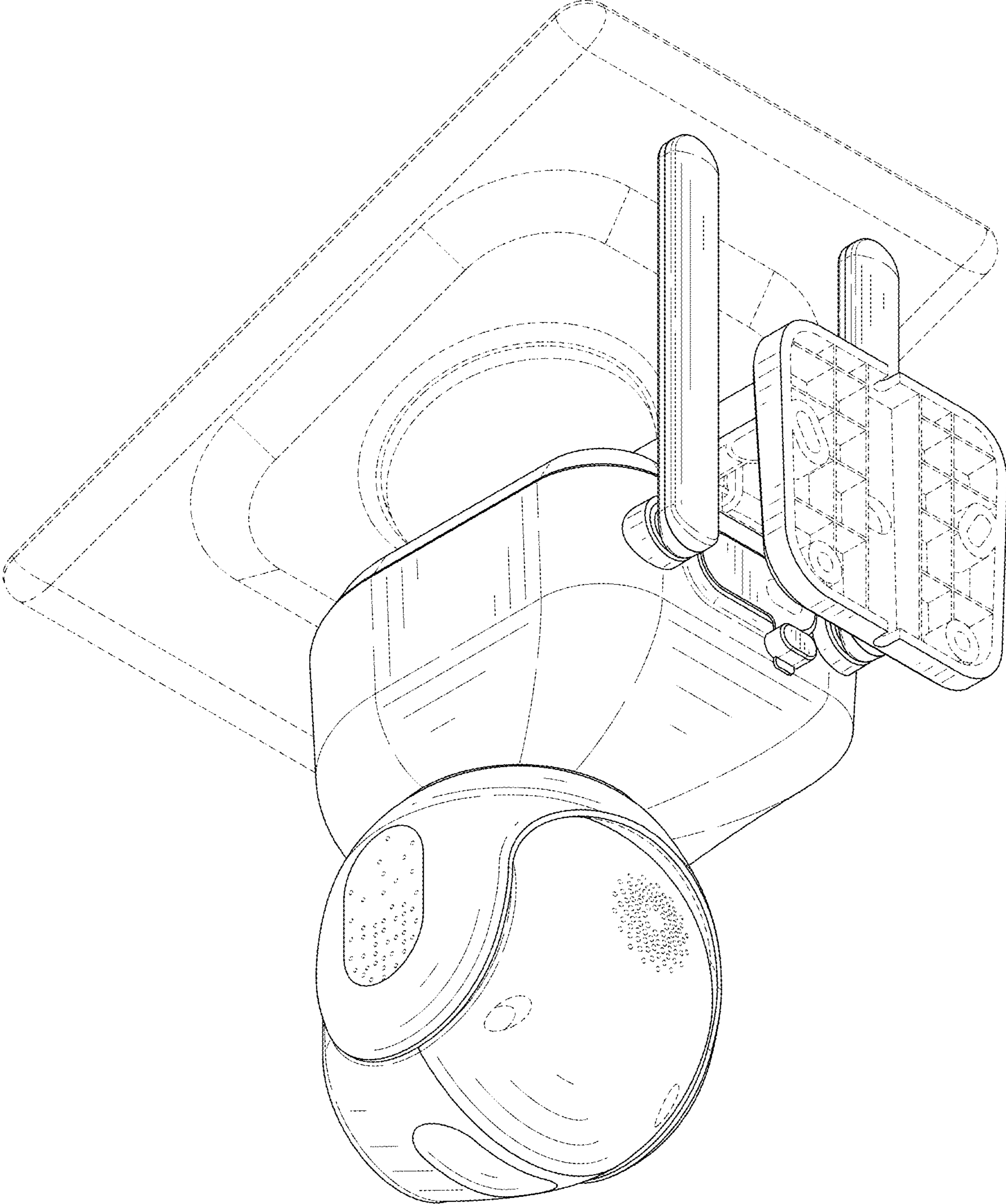


FIG. 1



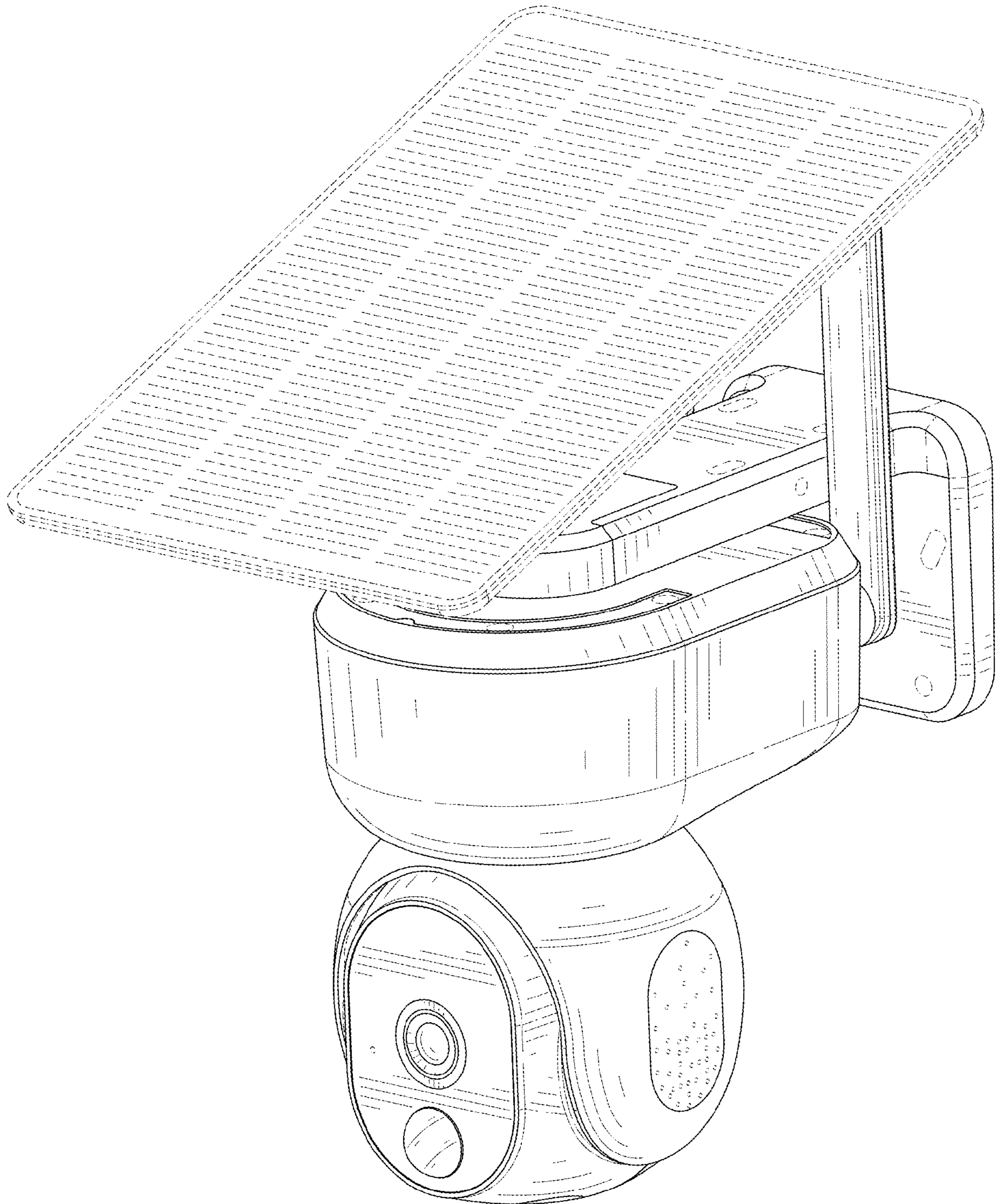


FIG. 2

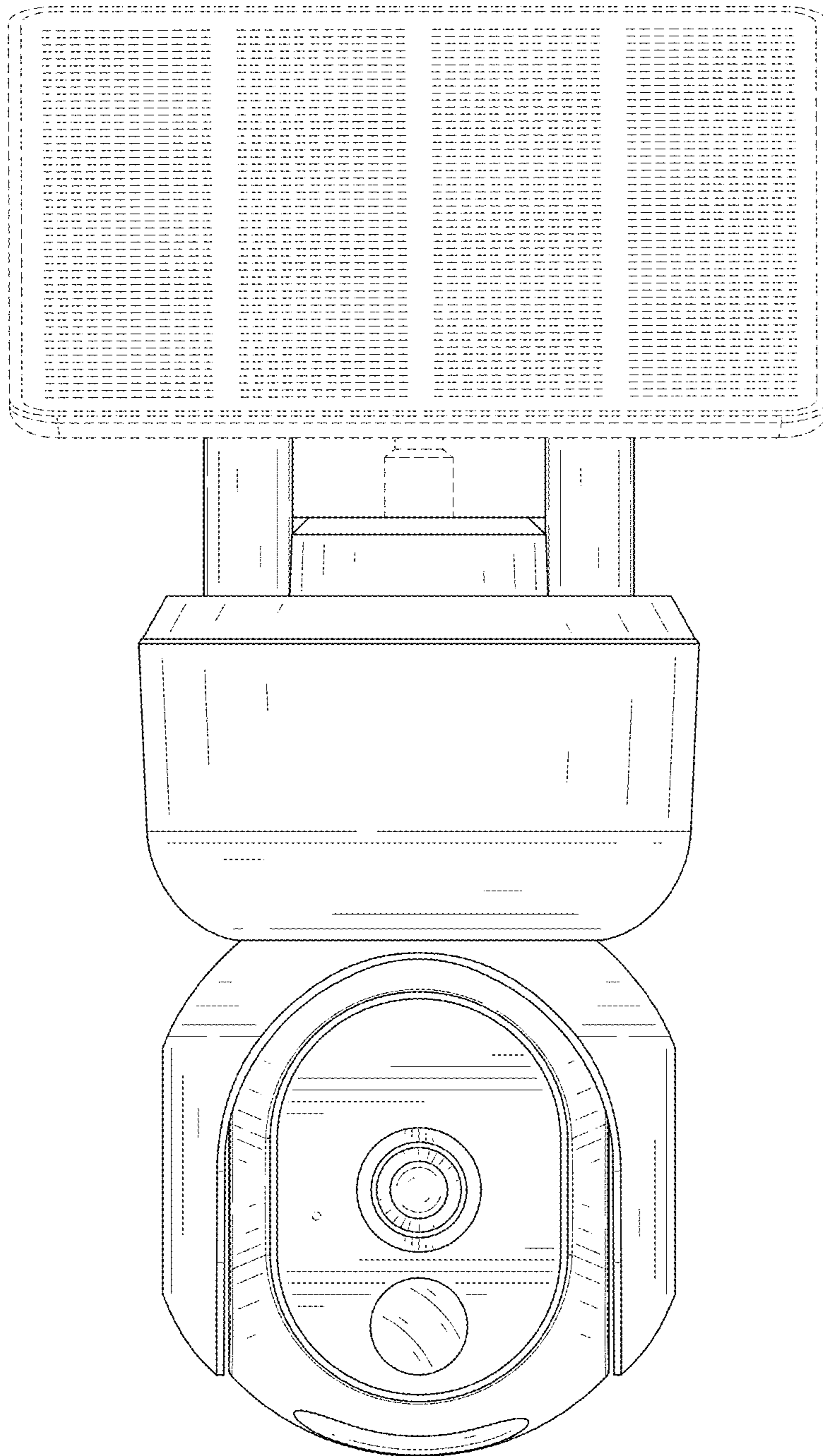


FIG. 3

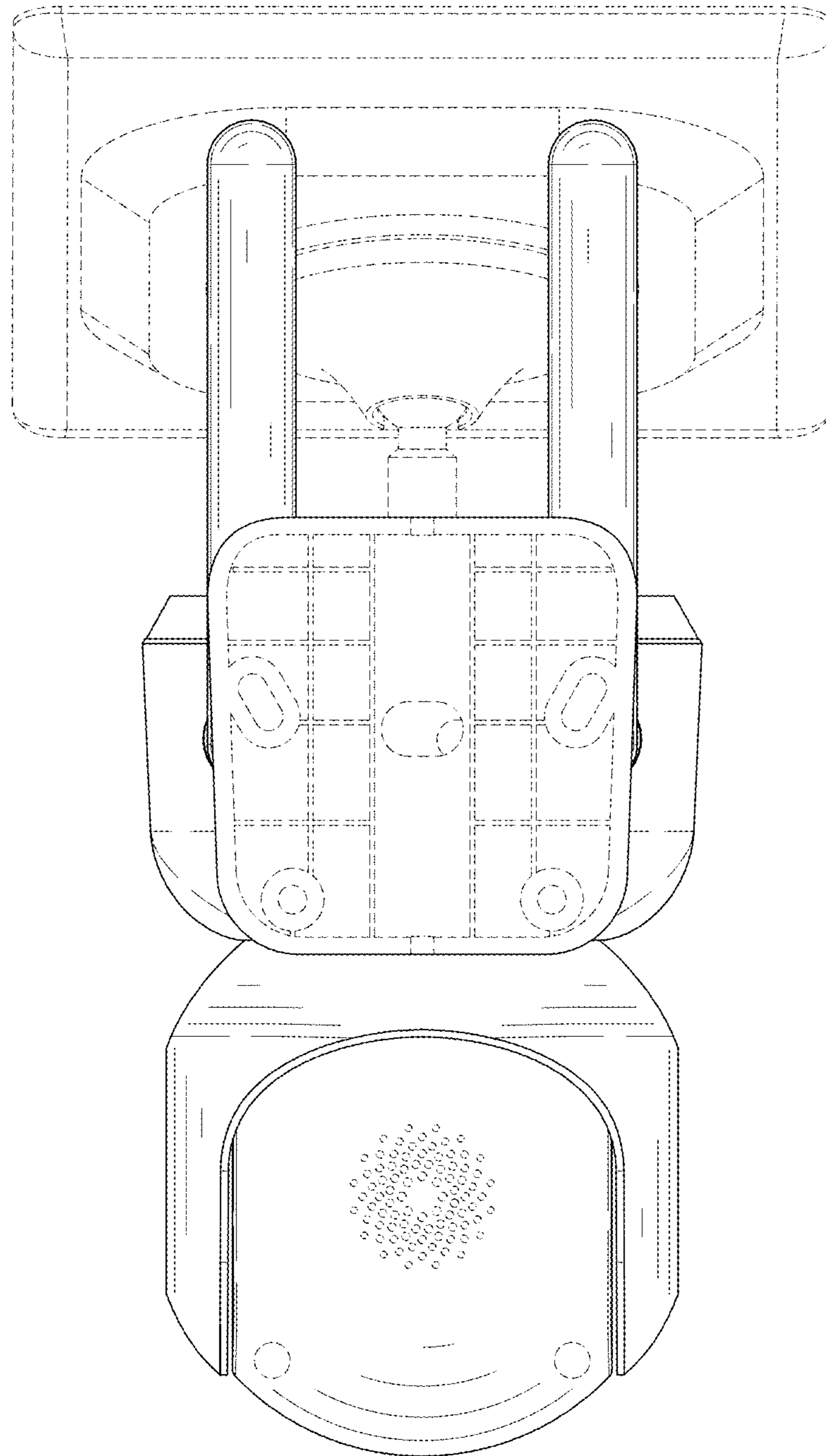


FIG. 4

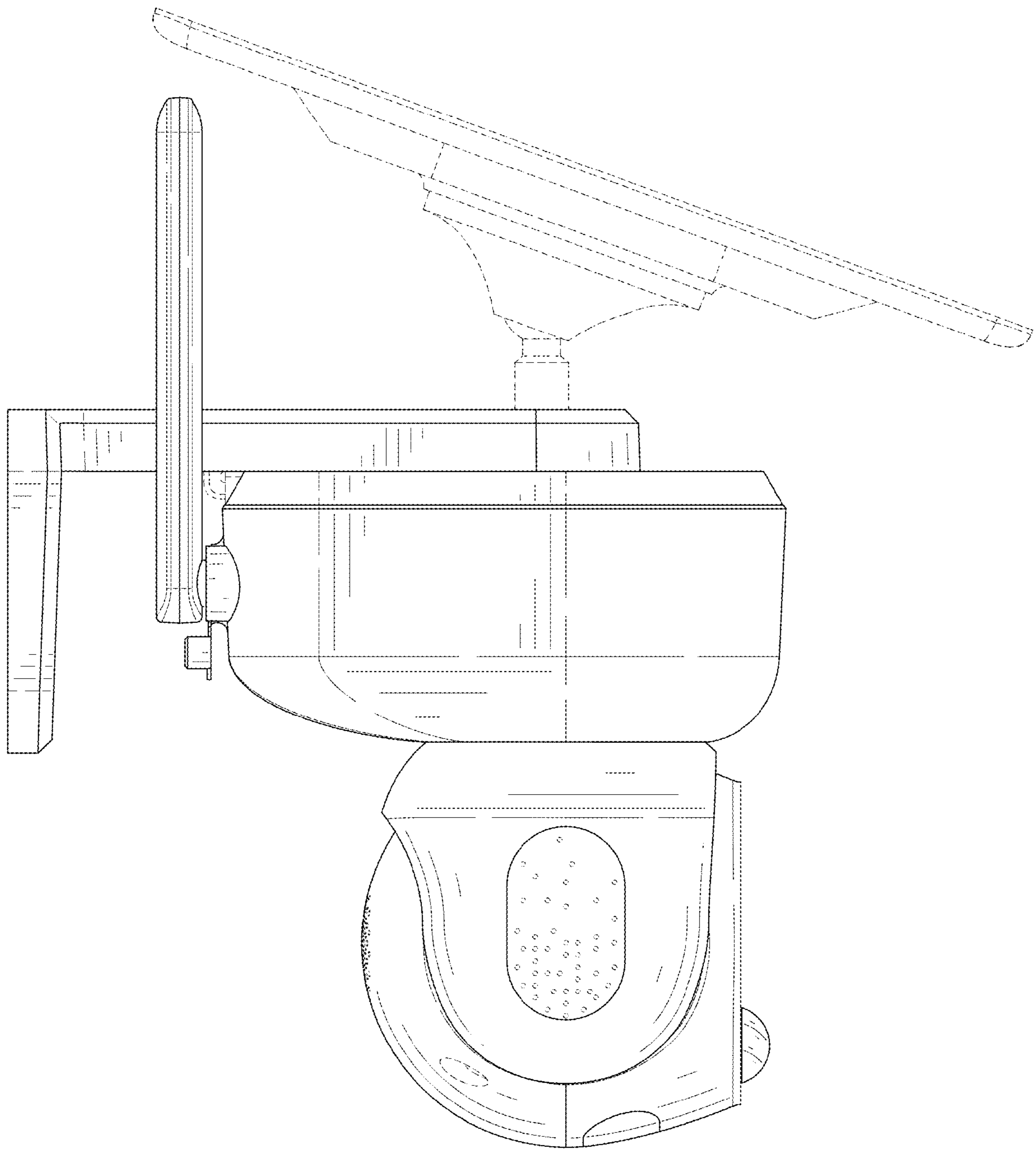


FIG. 5



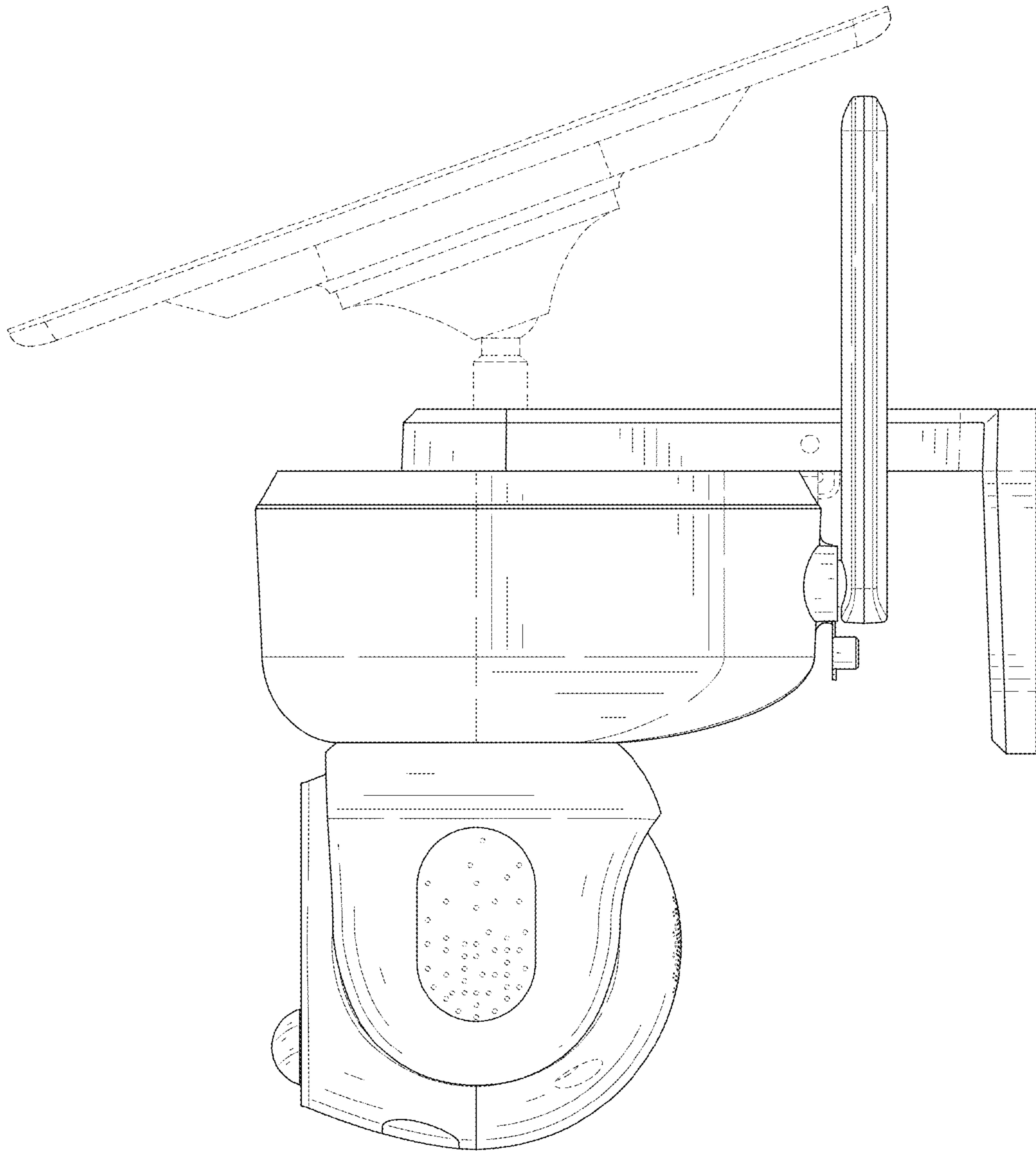


FIG. 6



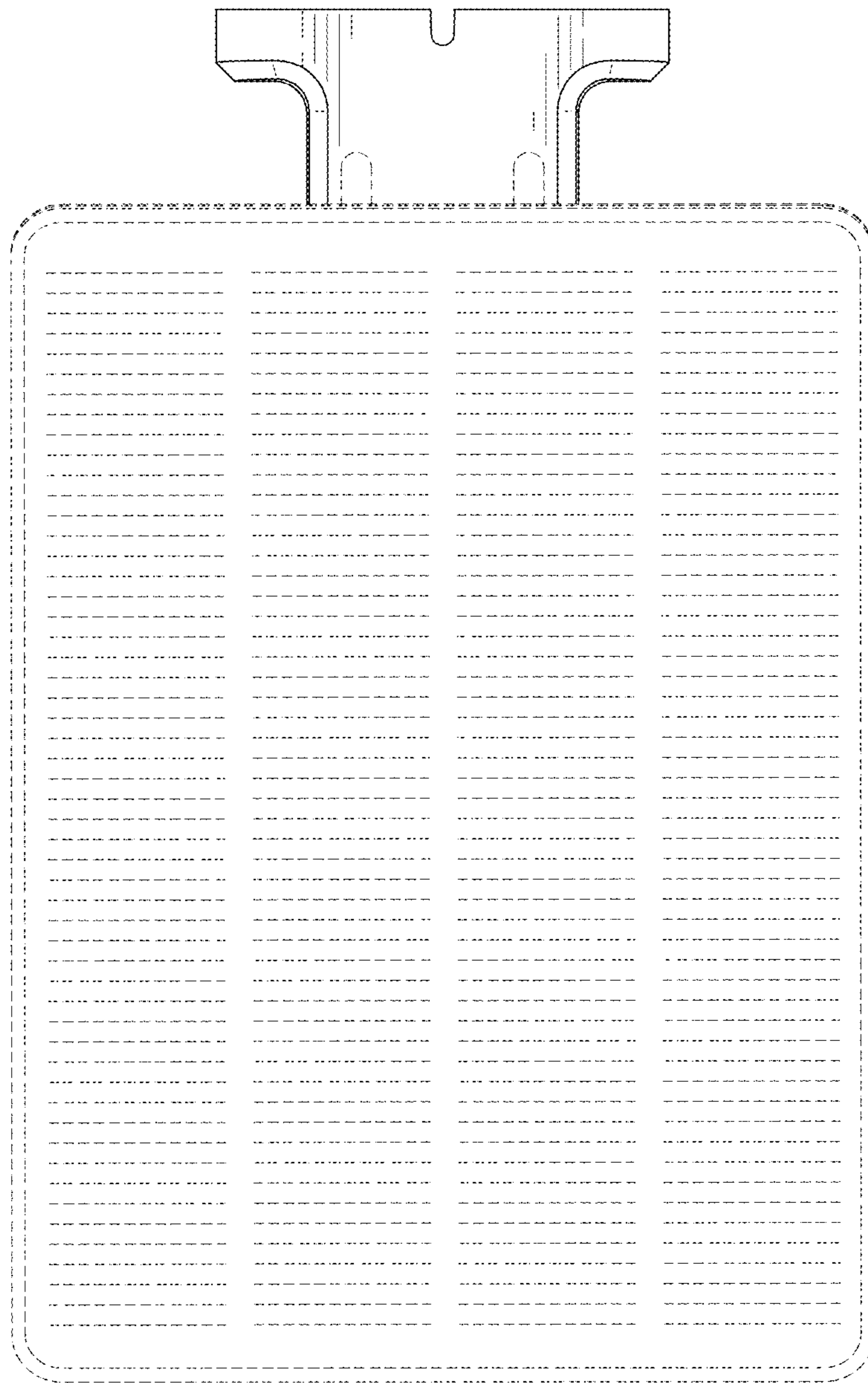


FIG. 7

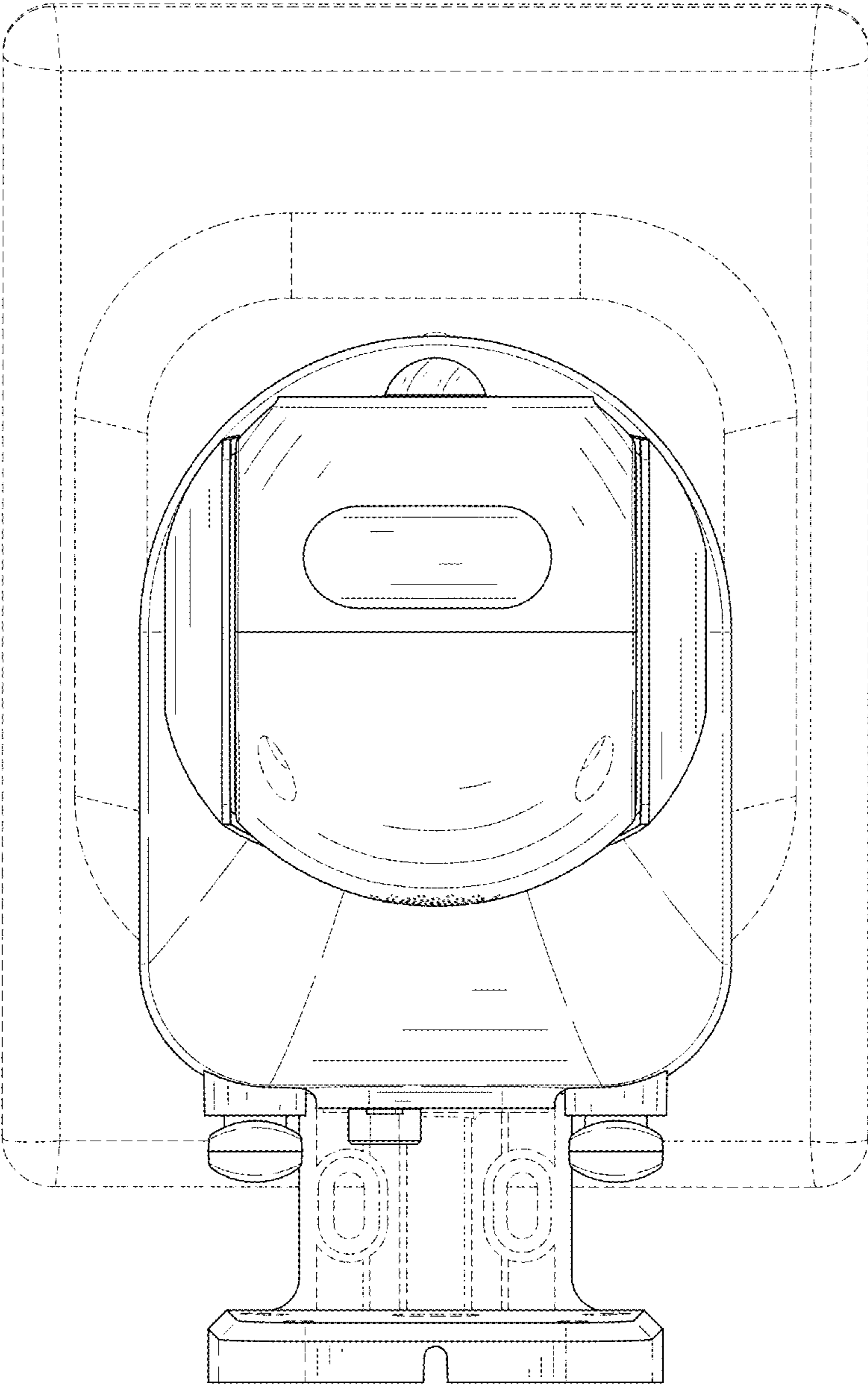


FIG. 8