



US00D973749S

(12) **United States Design Patent**
Nagai

(10) **Patent No.:** **US D973,749 S**
(45) **Date of Patent:** **** Dec. 27, 2022**

(54) **SECURITY CAMERA**

(71) Applicant: **Panasonic Intellectual Property Management Co., Ltd., Osaka (JP)**

(72) Inventor: **Muneyuki Nagai, Nara (JP)**

(73) Assignee: **Panasonic Intellectual Property Management Co., Ltd., Osaka (JP)**

(**) Term: **15 Years**

(21) Appl. No.: **29/725,162**

(22) Filed: **Feb. 21, 2020**

(30) **Foreign Application Priority Data**

Dec. 26, 2019 (CN) 201930728963.7

(51) **LOC (13) Cl.** **16-01**

(52) **U.S. Cl.**
USPC **D16/203**

(58) **Field of Classification Search**
USPC D16/200–203, 208, 213, 217; D10/28,
D10/46, 104.1, 106.1, 106.2, 106.6,
D10/109.2; D14/203.1, 204, 474, 496,
D14/510

CPC G03B 17/00; G03B 17/02; G03B 2217/00;
H04N 5/2251; H04N 5/2252

See application file for complete search history.

(56) **References Cited**

U.S. PATENT DOCUMENTS

D356,748 S * 3/1995 Carmi D10/106.6
D408,750 S * 4/1999 Weiss D10/106.6
D410,664 S * 6/1999 Hibino D16/202
D425,534 S * 5/2000 Mutoh D10/106.1
D435,468 S * 12/2000 Jones D10/70
D501,494 S * 2/2005 Ogura D16/202
D554,169 S * 10/2007 Peng D16/203
D647,920 S * 11/2011 Luo D14/203.3
D664,876 S * 8/2012 Krumpe D10/106.6

D707,741 S * 6/2014 Tysso D16/202
D712,951 S * 9/2014 Chou D16/202
D820,894 S * 6/2018 Tang D16/202
D829,768 S * 10/2018 Lippitt D14/188
D884,054 S * 5/2020 Mihara D16/208

(Continued)

FOREIGN PATENT DOCUMENTS

JP D1208527 6/2004
JP D1555610 * 8/2016
KR 301026881.0000 * 10/2019

OTHER PUBLICATIONS

“Panasonic WV-SW115 1.3MP Outdoor Box IP Security Camera, Wall-mount” from A1securitycameras.com, first retrieved on Jul. 22, 2022 from the internet <<https://www.a1securitycameras.com/panasonic-wv-sw115.html>> (Year: 2022).*

(Continued)

Primary Examiner — Elizabeth J Oswecki
Assistant Examiner — Lacey Chey Bowman
(74) *Attorney, Agent, or Firm* — Panasonic IP Management; Kerry S. Culpepper

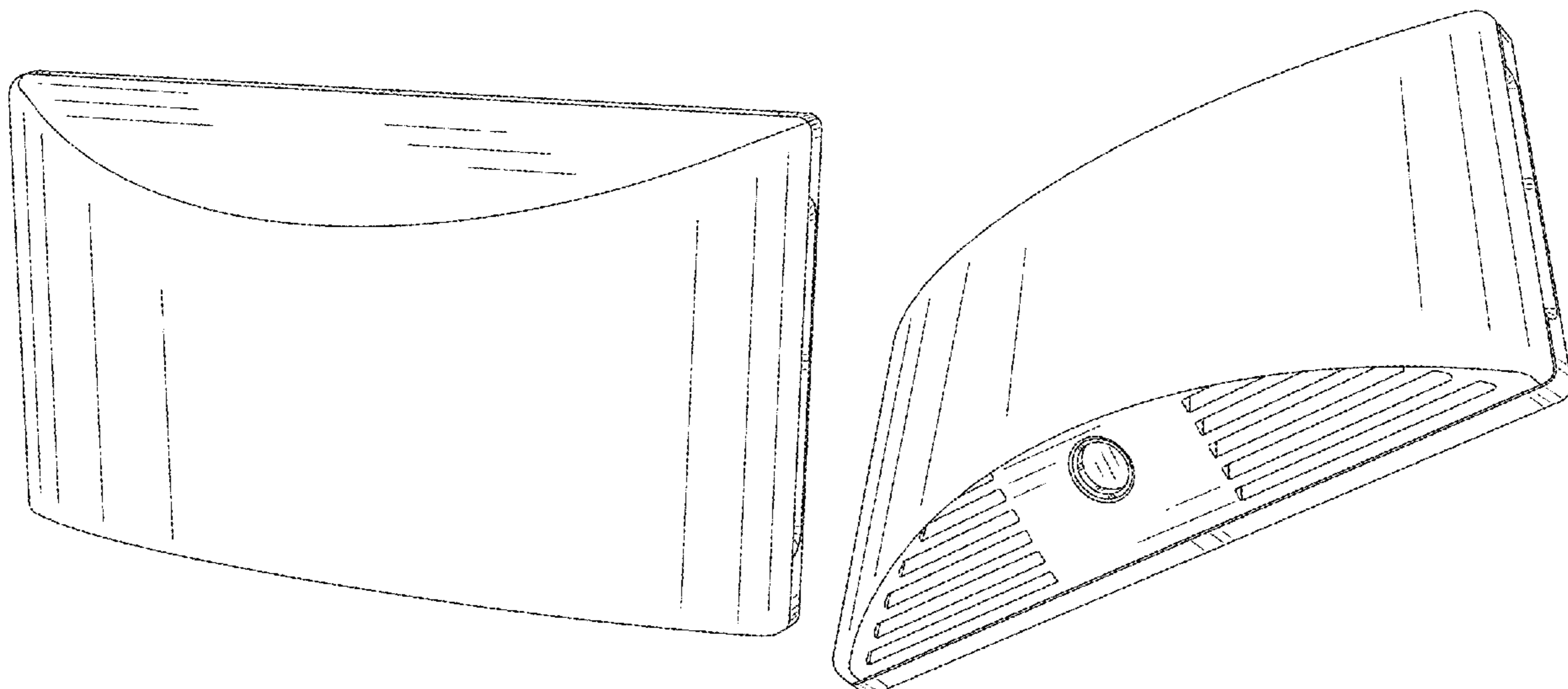
(57) **CLAIM**

The ornamental design for a security camera, as shown and described.

DESCRIPTION

FIG. 1 is a front, top perspective view of a security camera showing my new design;
FIG. 2 is a front, bottom perspective view thereof;
FIG. 3 is a front view thereof;
FIG. 4 is a rear view thereof;
FIG. 5 is a first side view thereof;
FIG. 6 is a second side view thereof;
FIG. 7 is a top view thereof; and,
FIG. 8 is a bottom view thereof.

1 Claim, 8 Drawing Sheets



(56)

References Cited

U.S. PATENT DOCUMENTS

D886,883 S * 6/2020 Zhang D16/203
D907,089 S * 1/2021 Michaelian D16/202

OTHER PUBLICATIONS

“1080P HDTV IR Corner Mount Security Corner Triangle Camera 2.8mm Wide Angle Lens 1080P, Only Work with HD-TVI DVR” from Amazon.com, first available Nov. 12, 2015 from the internet <<https://www.amazon.com/Corner-Security-Triangle-Camera-HD-TVI/dp/B017WT9P2K>> (Year: 2015).*

“Revotech 1080P PIR Pinhole Wireless IP Camera, WiFi Security Camera, 940nm Invisible Night Vision Indoor Camera Motion Detection P2P Cloud SD Card Slot(IPIR-MW)” from Amazon.com first available Apr. 29, 2021 from the internet <<https://www.amazon.com/Revotech-Wireless-Security-Invisible-Detection/dp/B093SYRS1Z?th=1>> (Year: 2021).*

* cited by examiner

FIG. 1

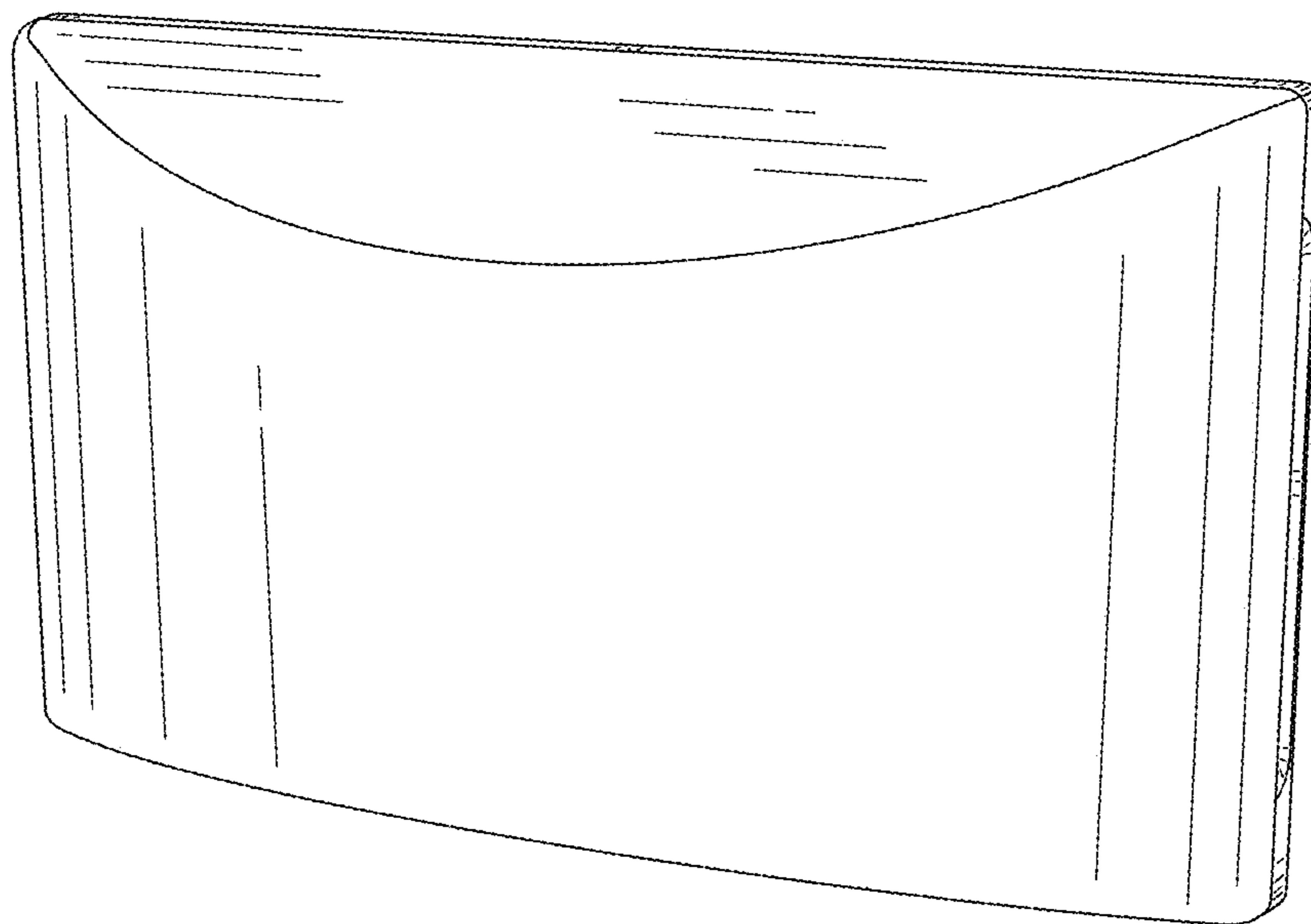


FIG. 2

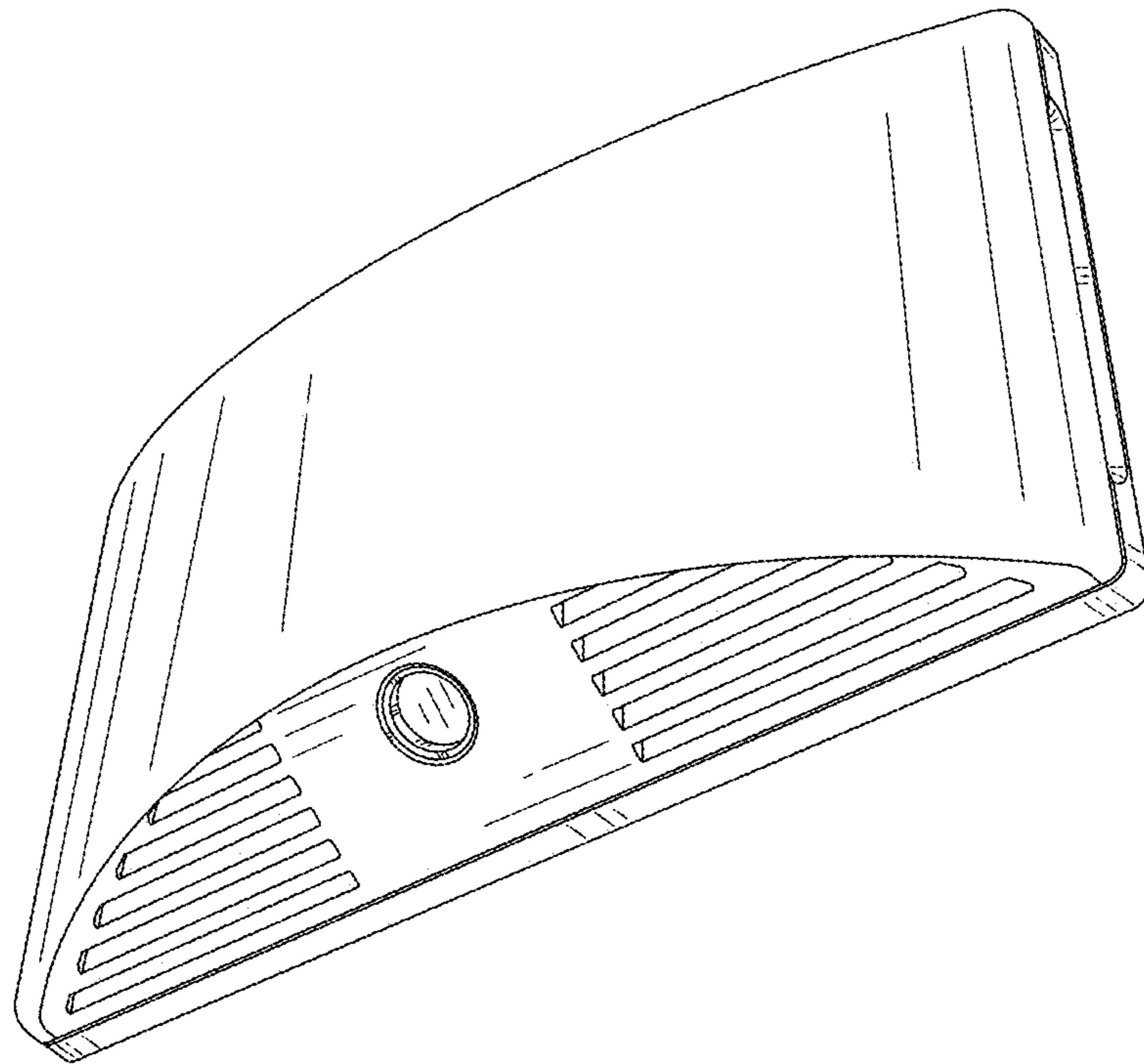


FIG. 3

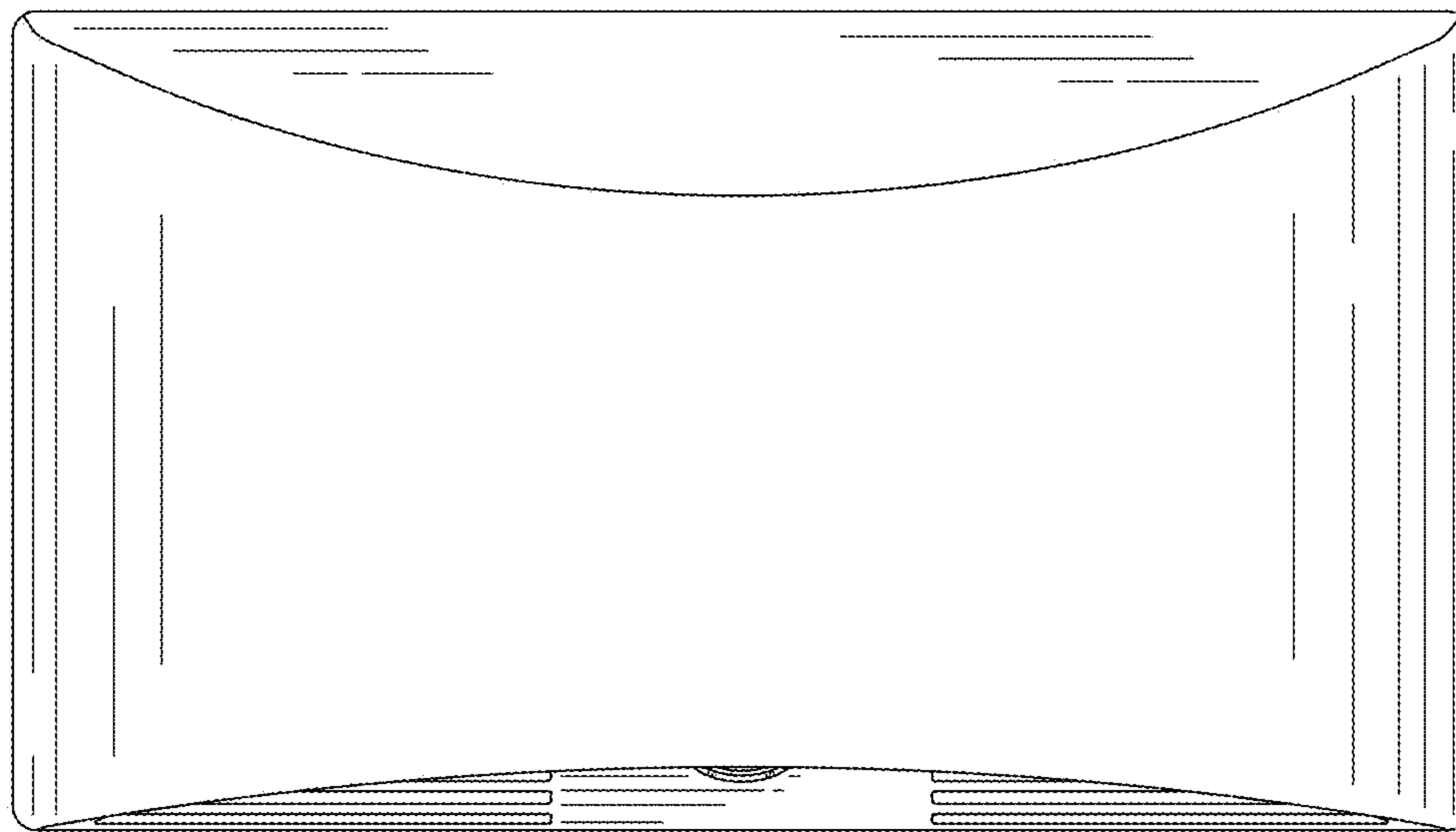


FIG. 4

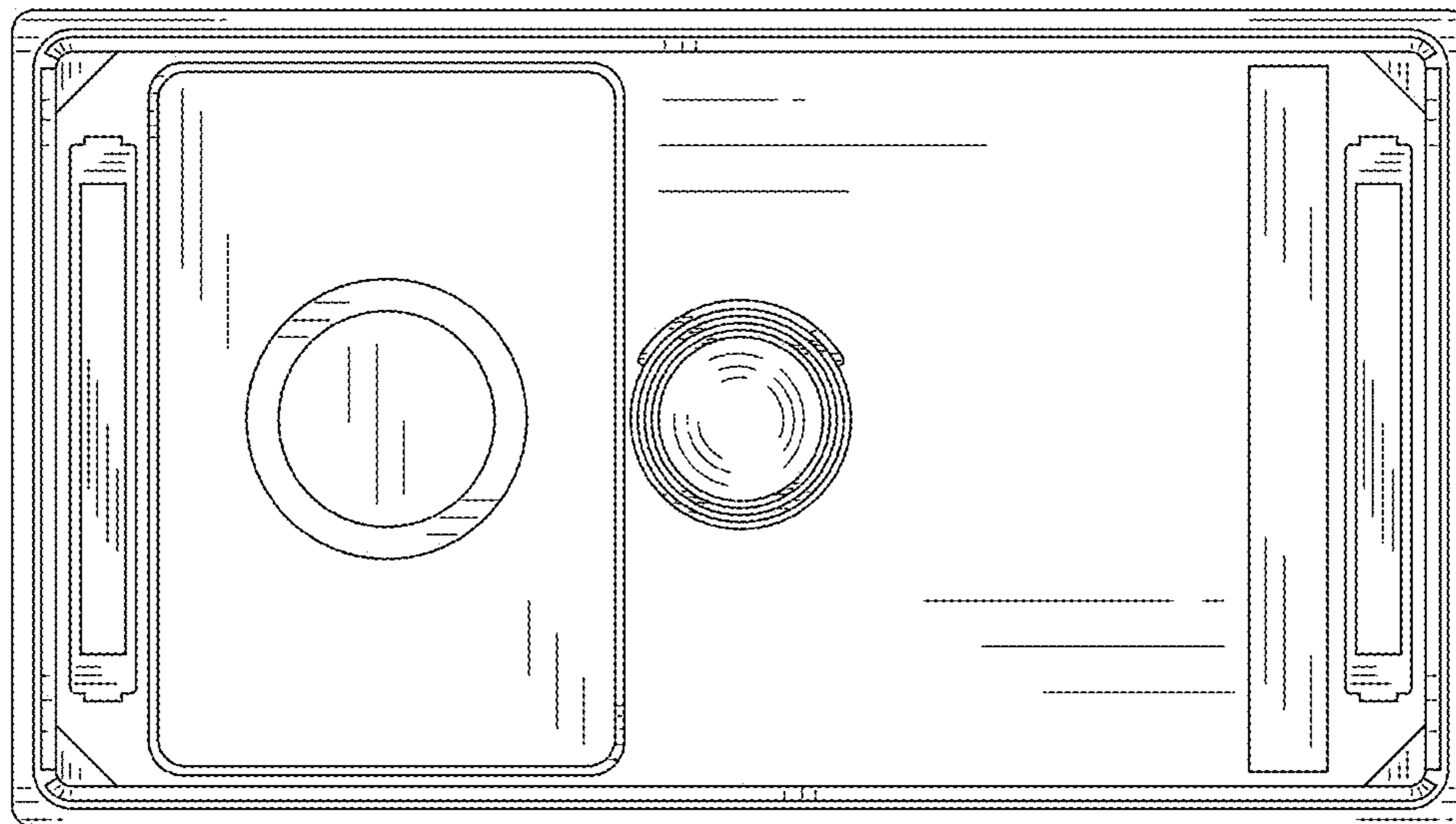


FIG. 5

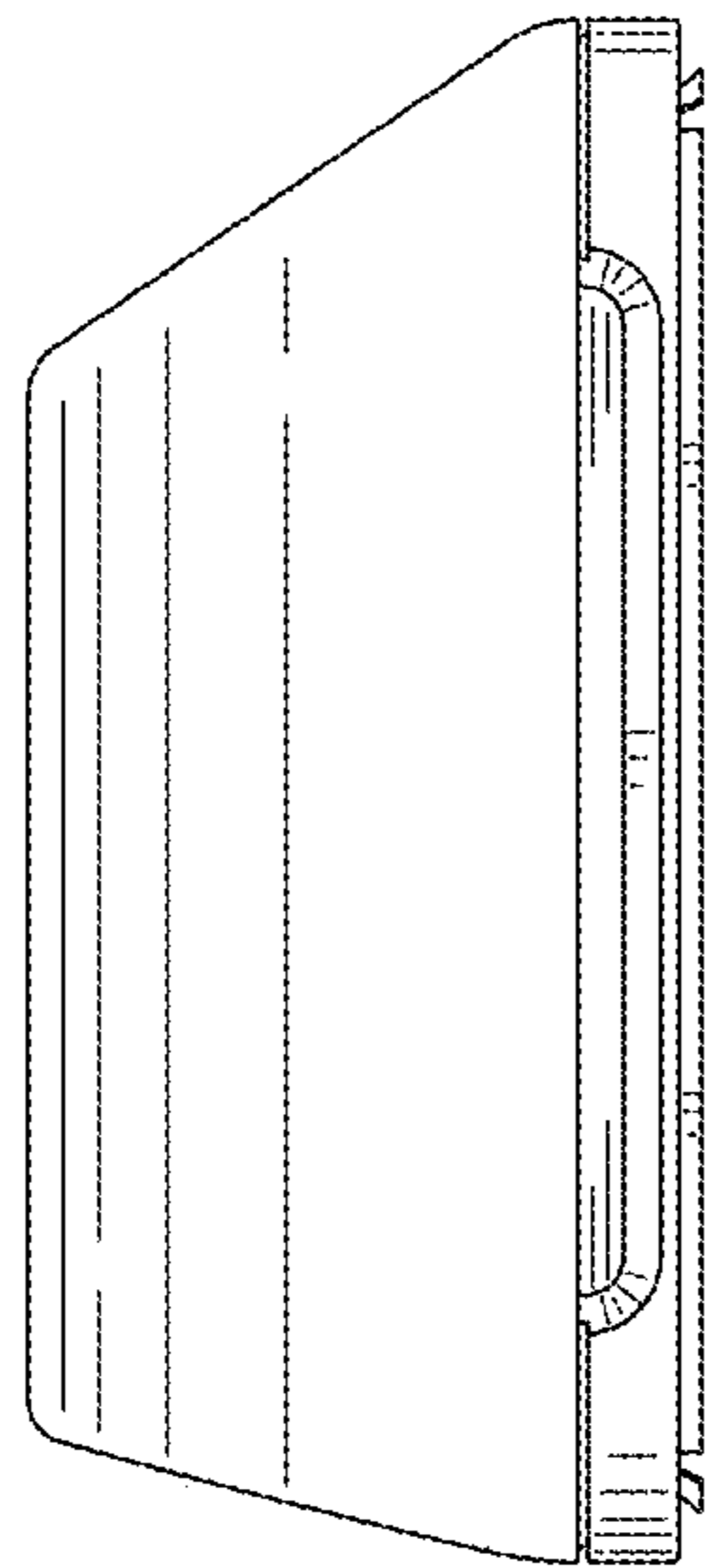


FIG. 6

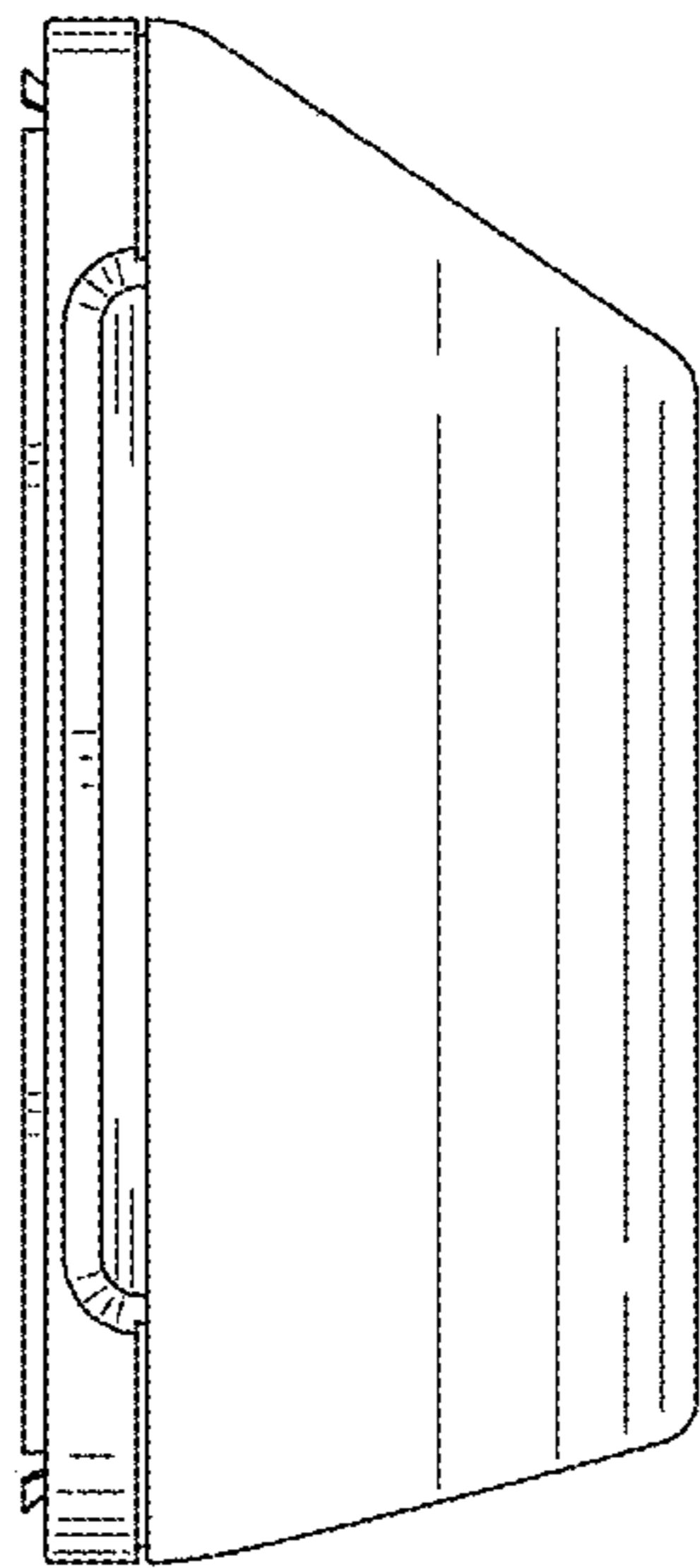


FIG. 7

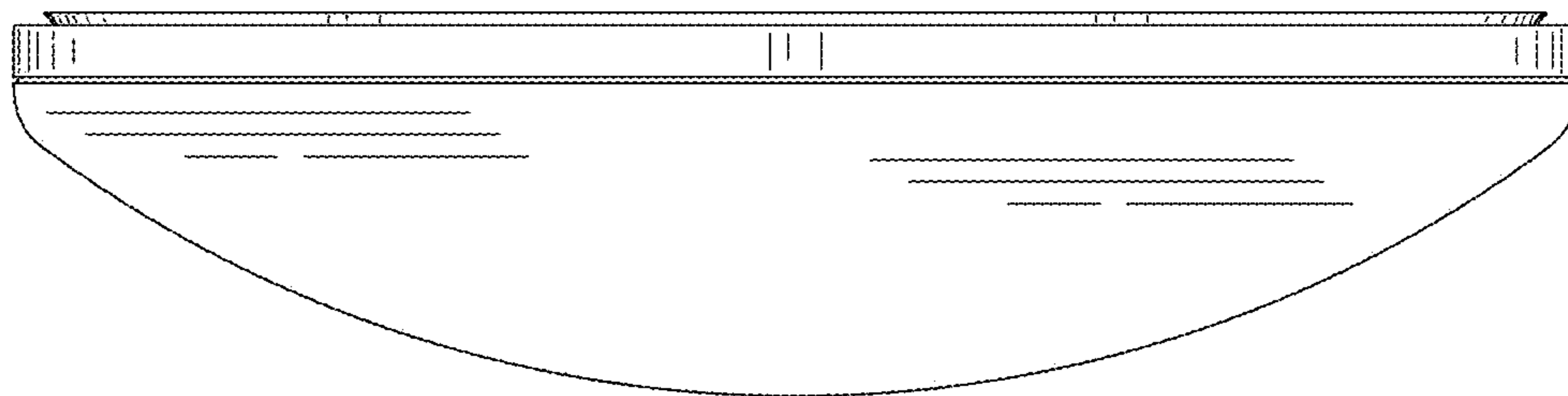


FIG. 8

