



US00D973748S

(12) **United States Design Patent**
Cai et al.

(10) **Patent No.:** **US D973,748 S**

(45) **Date of Patent:** **** Dec. 27, 2022**

(54) **CAMERA**

(71) Applicant: **SHENZHEN HARVEST KANG TECHNOLOGY CO., LTD.**, Shenzhen (CN)

(72) Inventors: **Wang Hai Cai**, Helin Township (CN); **Gao Hai**, Helin Township (CN)

(73) Assignee: **SHENZHEN HARVEST KANG TECHNOLOGY CO., LTD.**, Shenzhen (CN)

(**) Term: **15 Years**

(21) Appl. No.: **29/820,931**

(22) Filed: **Dec. 25, 2021**

(51) **LOC (13) Cl.** **16-01**

(52) **U.S. Cl.**
USPC **D16/202**

(58) **Field of Classification Search**
USPC D16/200–203, 211, 214; D14/203.1, 204, D14/203.8, 209.1, 317, 474, 496; D10/46, 70, 104.1, 106.6
CPC G03B 17/02; G03B 21/10; G03B 2217/00; H04N 5/225; H04N 5/2251; H04N 5/2254
See application file for complete search history.

(56) **References Cited**

U.S. PATENT DOCUMENTS

| | | | |
|--------------|---------|-------------------|---------|
| D620,512 S | 7/2010 | Kao | |
| D626,580 S * | 11/2010 | Tzeng | D16/202 |
| D626,983 S * | 11/2010 | Serge | D16/202 |
| D628,221 S | 11/2010 | Chen et al. | |
| D654,942 S | 2/2012 | Khamsepoor et al. | |
| D659,734 S | 5/2012 | Ip et al. | |
| D665,439 S | 8/2012 | Khamsepoor et al. | |
| D678,380 S | 3/2013 | Pardo et al. | |
| D730,966 S | 6/2015 | Liu | |
| D740,871 S * | 10/2015 | Moon | D16/203 |
| D754,233 S * | 4/2016 | Du | D16/211 |
| D785,693 S * | 5/2017 | Kim | D16/202 |

| | | | |
|--------------|---------|--------------------|---------|
| D798,360 S * | 9/2017 | Jeong | D16/203 |
| D831,089 S * | 10/2018 | Laffon de Mazieres | D16/202 |
| D848,501 S * | 5/2019 | Read | D16/202 |
| D849,088 S * | 5/2019 | Lai | D16/202 |
| D849,089 S | 5/2019 | Lu | |
| D870,790 S | 12/2019 | Depay et al. | |

(Continued)

FOREIGN PATENT DOCUMENTS

| | | | |
|----|----------------|---|--------|
| CN | 304006099 | * | 1/2017 |
| EM | 009029911-0001 | * | 5/2022 |

OTHER PUBLICATIONS

“Dell UltraSharp HDR 4K Webcam with Privacy Cover, HD USB Computer Camera with 4K Sony Starvis CMOS Sensor, IR Sensor, Proximity Sensor, Black—Anodized Aluminum—WB7022—for Windows” from Amazon.com, first available Jul. 1, 2021 from the internet <https://www.amazon.com/Dell-UltraSharp-Privacy-Computer-Proximity/dp/B098GXD82C?source=ps-sl-shoppingads-lpcontext&ref_=fplfs&psc=1&smid=ATVPDKIKX0DER> (Year: 2021).*

(Continued)

Primary Examiner — Elizabeth J Oswecki
Assistant Examiner — Lacey Chey Bowman

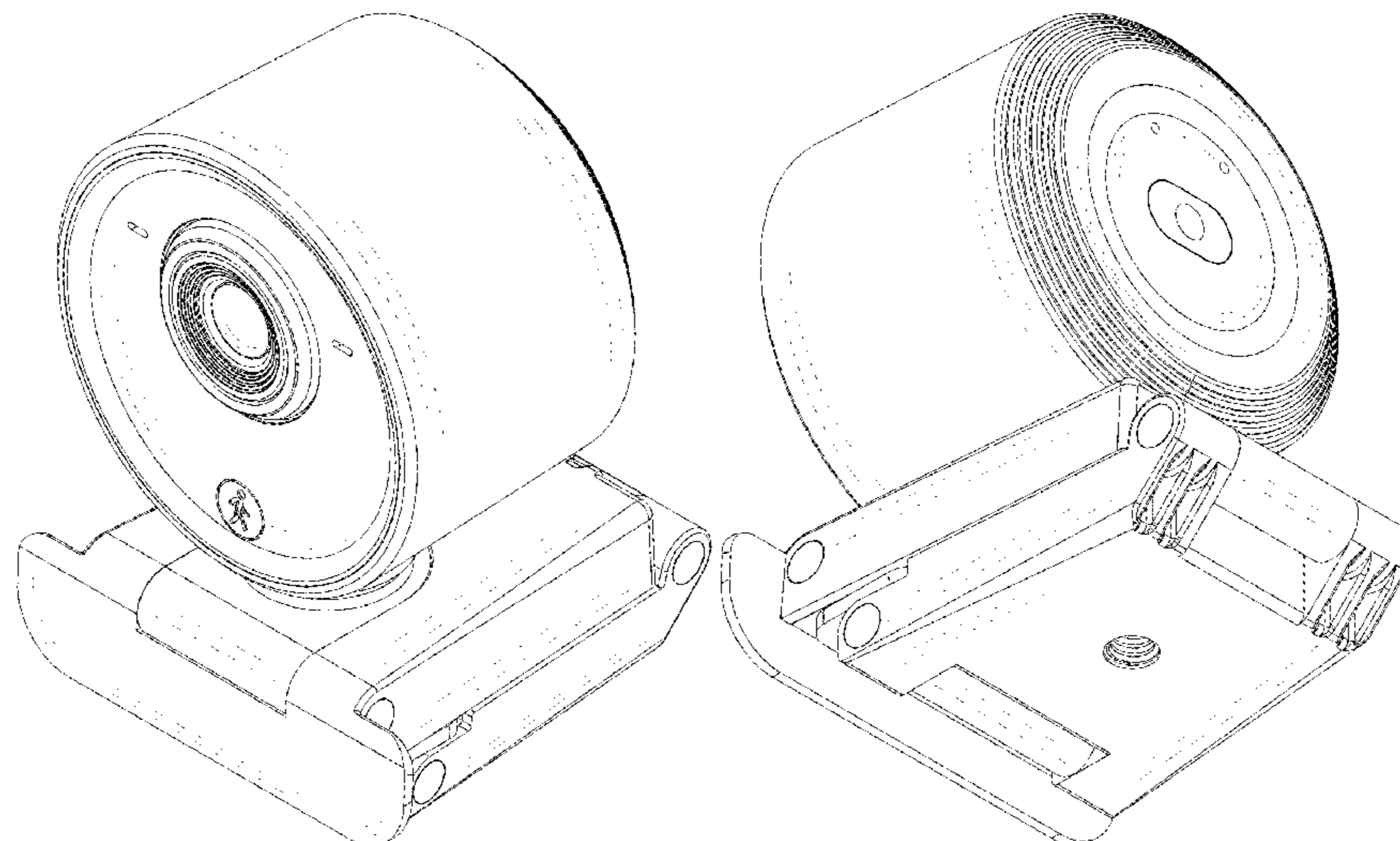
(57) **CLAIM**

The ornamental design for a camera, as shown and described.

DESCRIPTION

FIG. 1 is a front elevation view of a camera showing the new design;
FIG. 2 is a back elevation view thereof;
FIG. 3 is a left side elevation view thereof;
FIG. 4 is a right side elevation view thereof;
FIG. 5 is a top plan view thereof;
FIG. 6 is a bottom plan view thereof;
FIG. 7 is a top perspective view thereof; and,
FIG. 8 is a bottom perspective view thereof.

1 Claim, 8 Drawing Sheets



(56)

References Cited

U.S. PATENT DOCUMENTS

| | | | | | | |
|----------|---|---|---------|------|-------|-----------|
| D907,091 | S | * | 1/2021 | Lv | | D16/202 |
| D912,121 | S | * | 3/2021 | Han | | D16/203 |
| D918,982 | S | * | 5/2021 | Dan | | D16/202 |
| D924,300 | S | * | 7/2021 | Zhao | | D16/202 |
| D936,124 | S | * | 11/2021 | Wu | | D16/202 |
| D949,224 | S | * | 4/2022 | Liao | | D16/200 |
| D951,323 | S | * | 5/2022 | Wu | | D16/202 |
| D952,016 | S | * | 5/2022 | Fu | | D16/202 |
| D952,020 | S | * | 5/2022 | Wu | | D16/202 |
| D954,777 | S | * | 6/2022 | Zhao | | D16/202 |
| D955,237 | S | * | 6/2022 | Fix | | D10/104.1 |

OTHER PUBLICATIONS

“Razer Kiyo Pro Streaming Webcam: Uncompressed 1080p 60FPS—High-Performance Adaptive Light Sensor—HDR-Enabled—Wide-Angle Lens with Adjustable FOV—Lightning-Fast USB 3.0” from Amazon.com, first available Feb. 23, 2021 from the internet <<https://www.amazon.com/dp/B08T1MWX6J?tag=p00935-20&ascsubtag=00y5yoU1SRbl5Afx1ylUd2w&th=1>> (Year: 2021).*

* cited by examiner

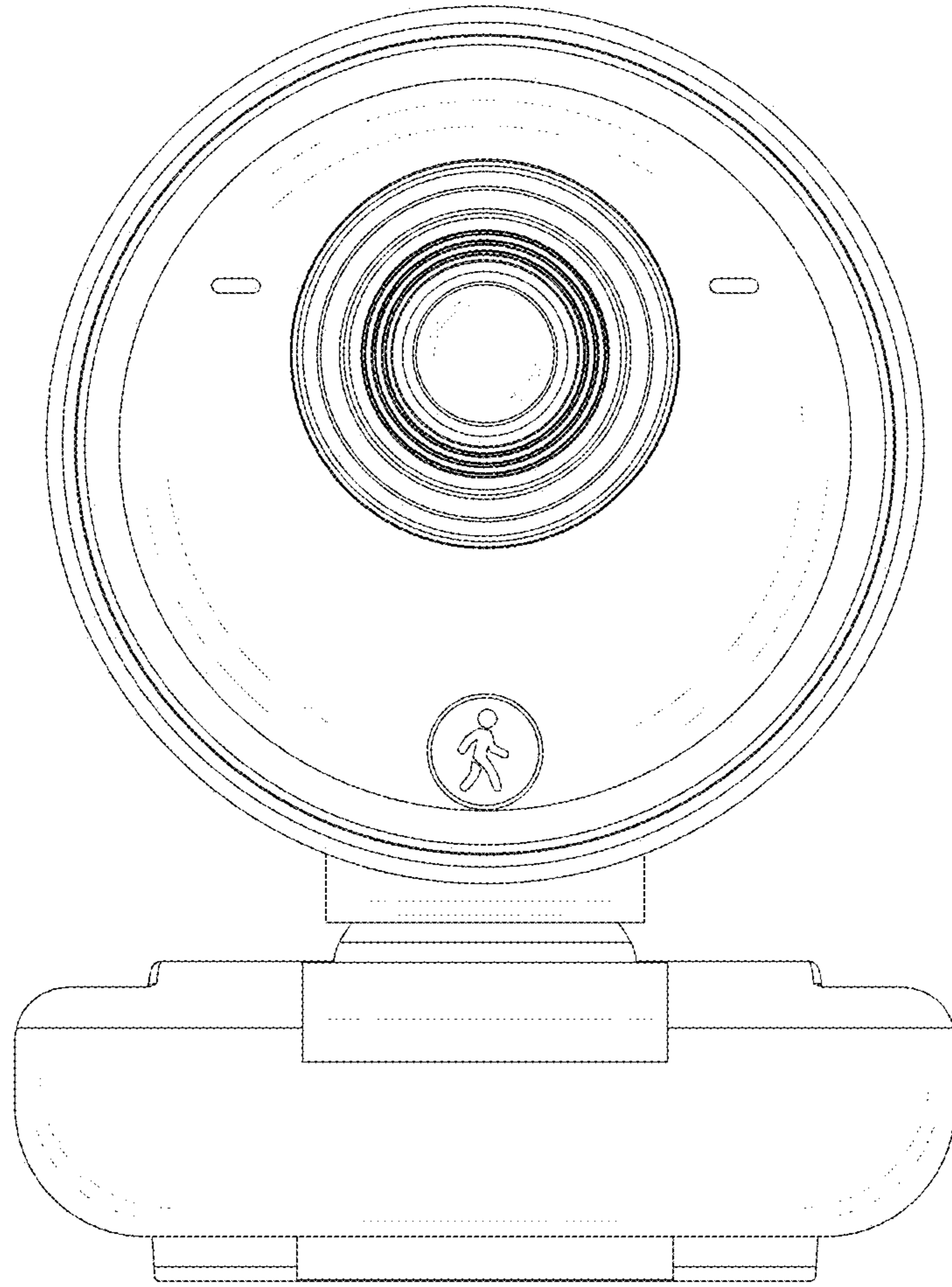


FIG. 1

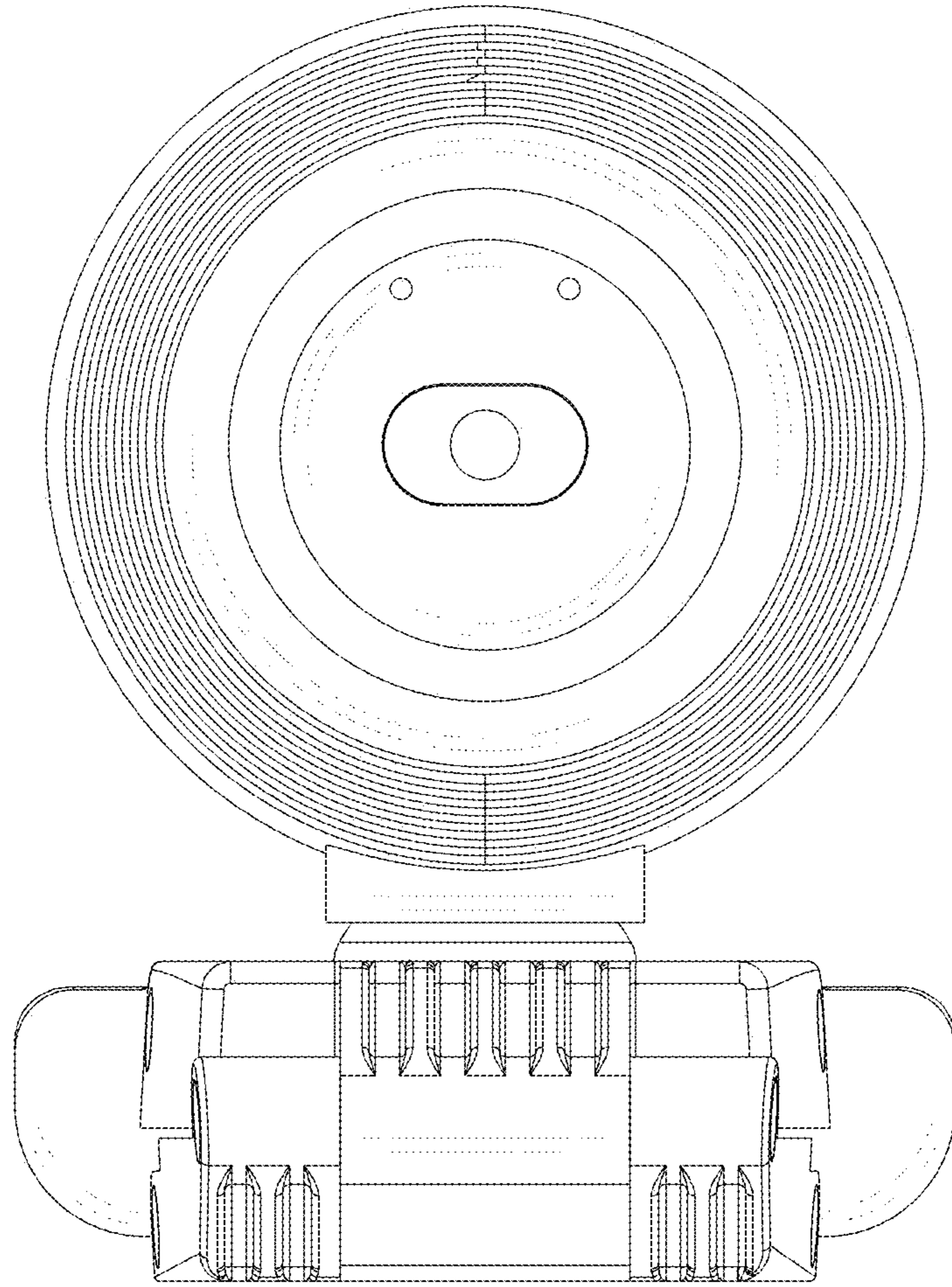


FIG. 2

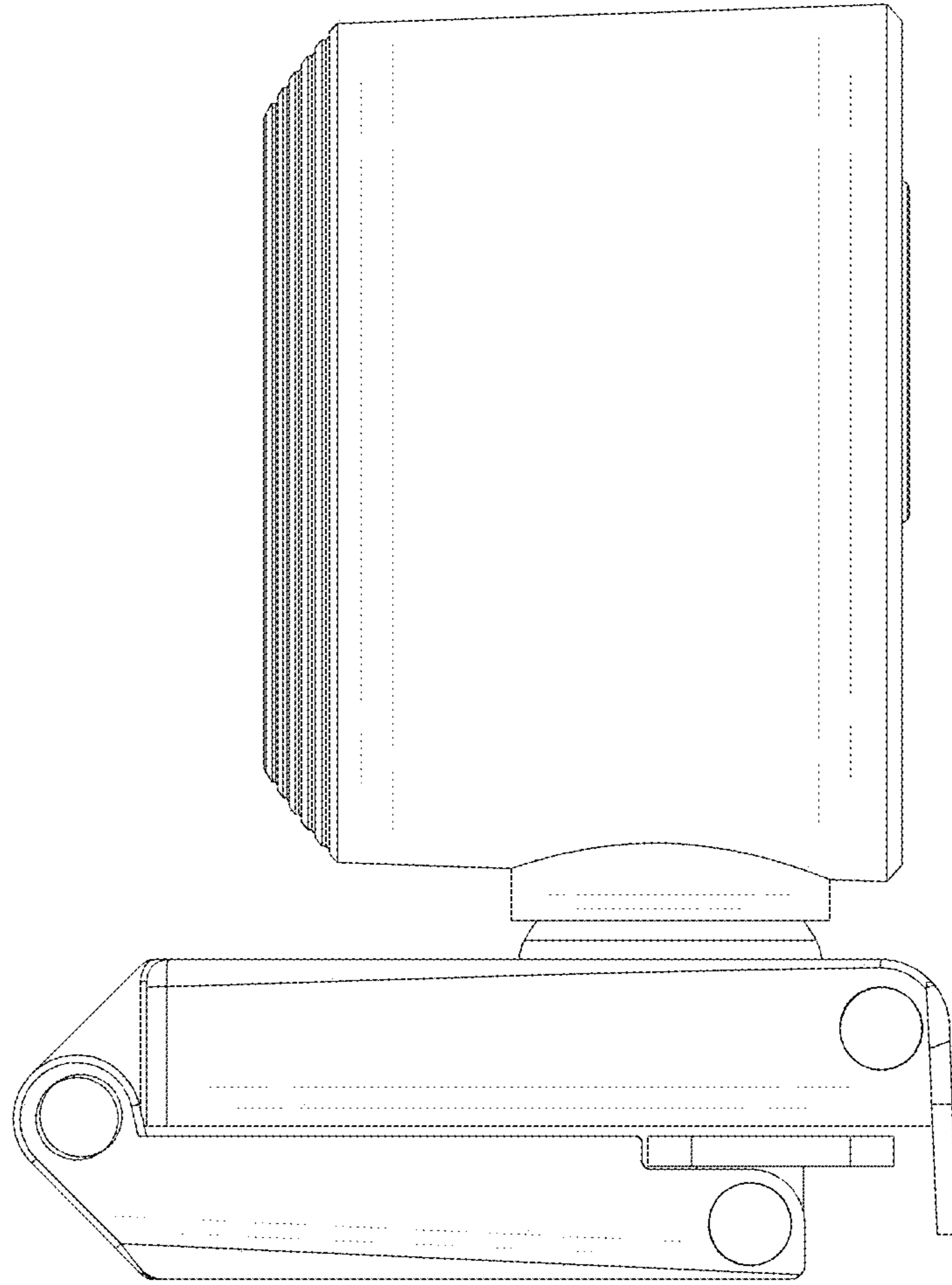


FIG. 3

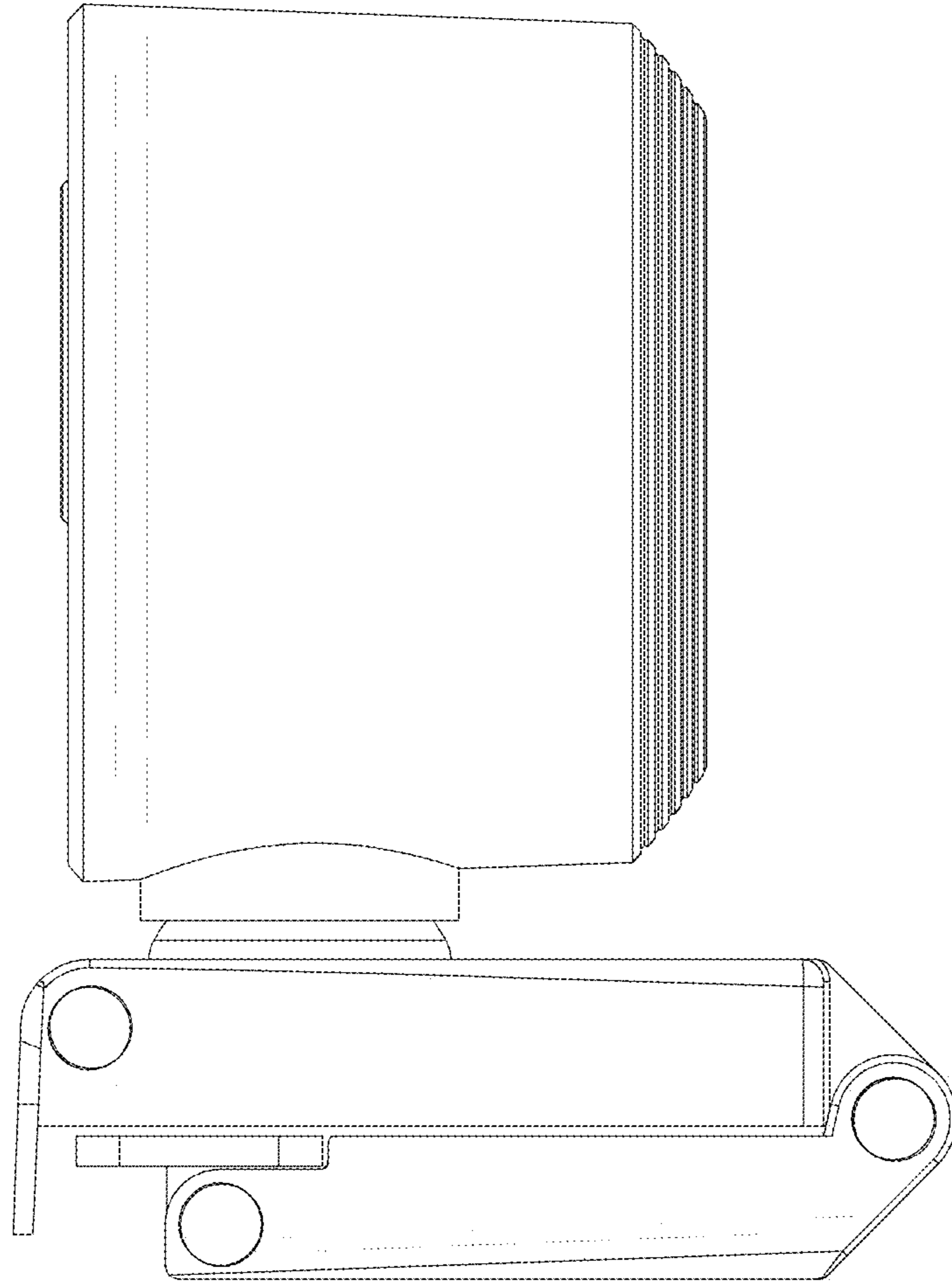


FIG. 4

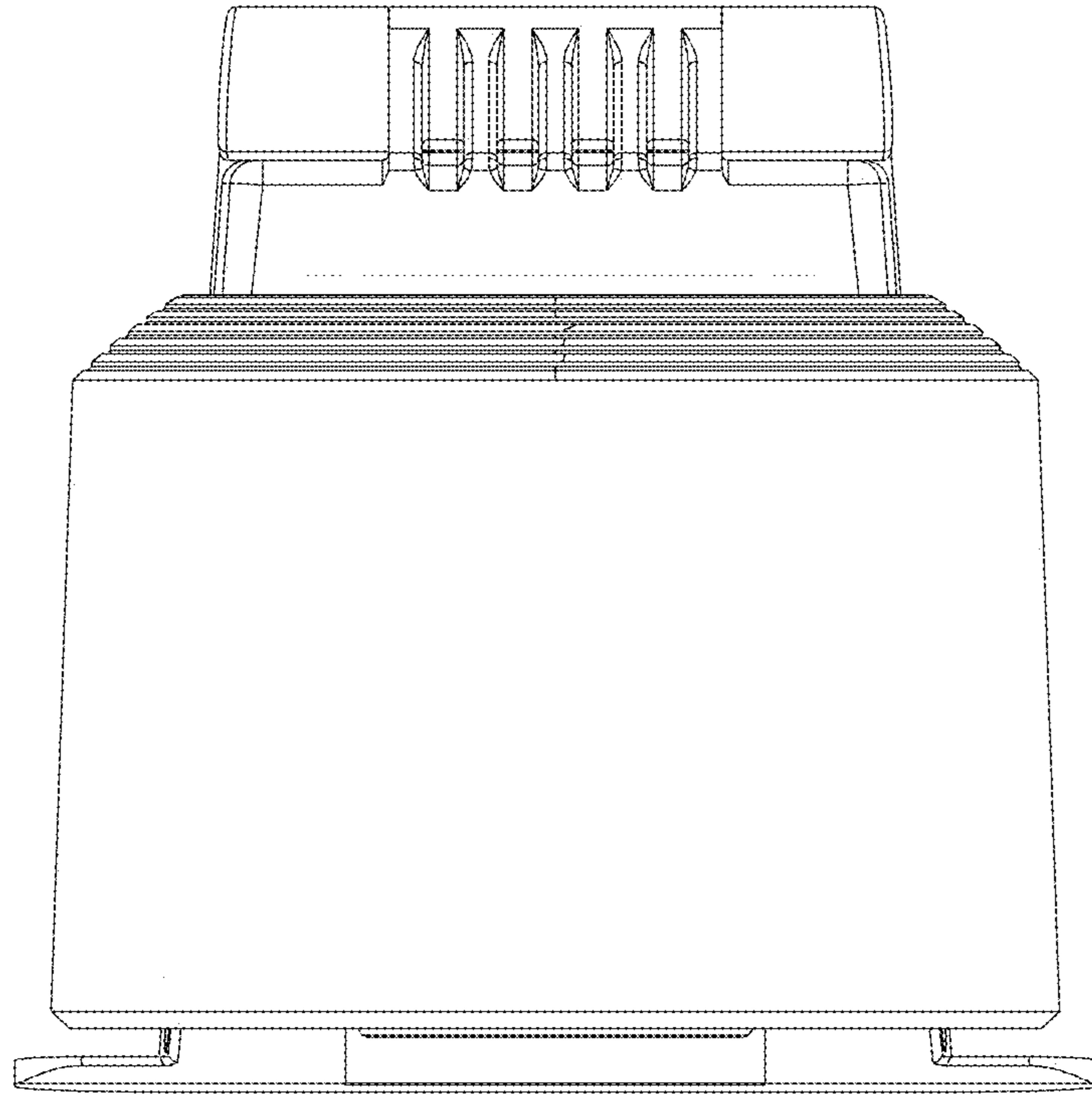


FIG. 5

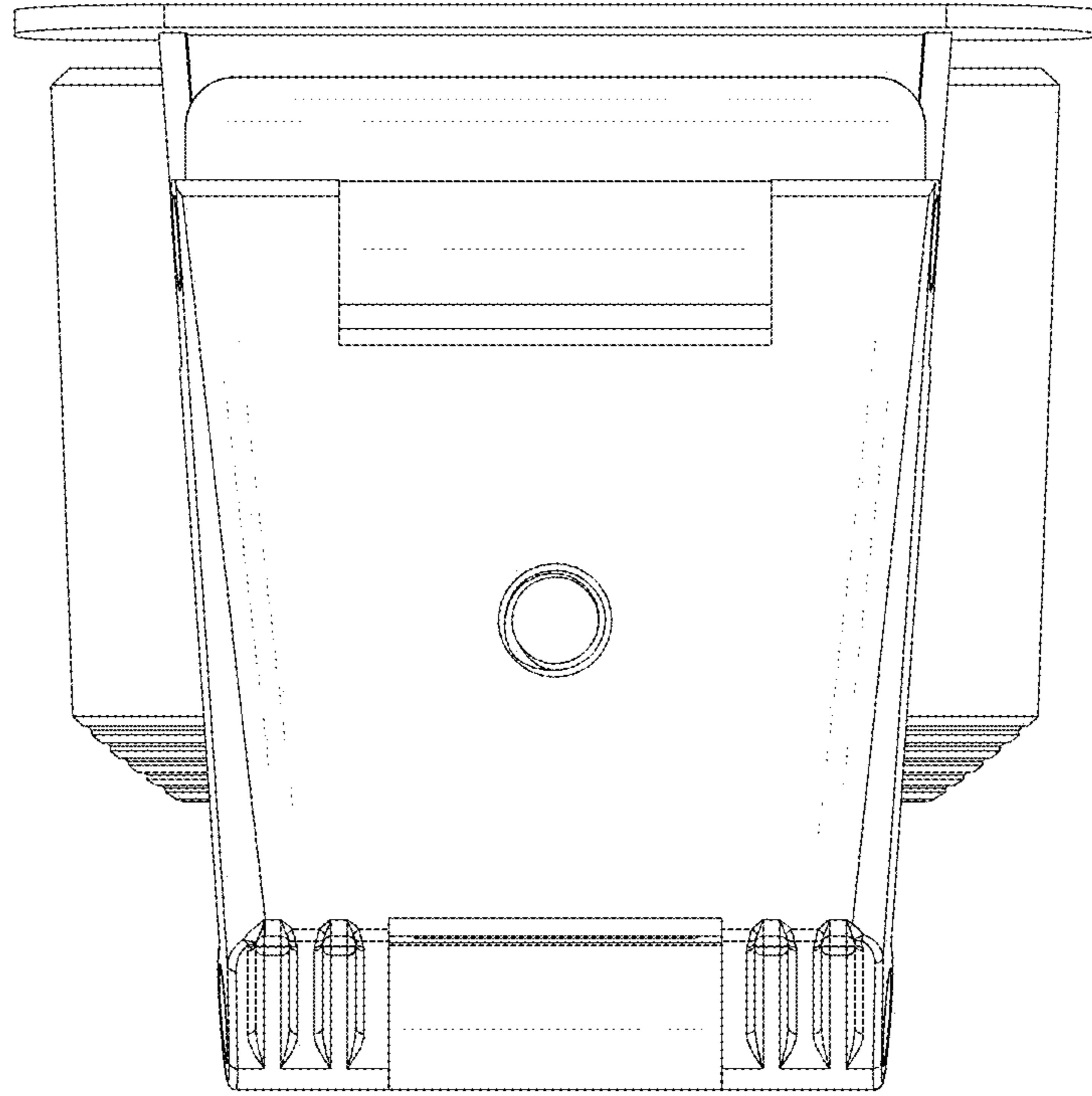


FIG. 6

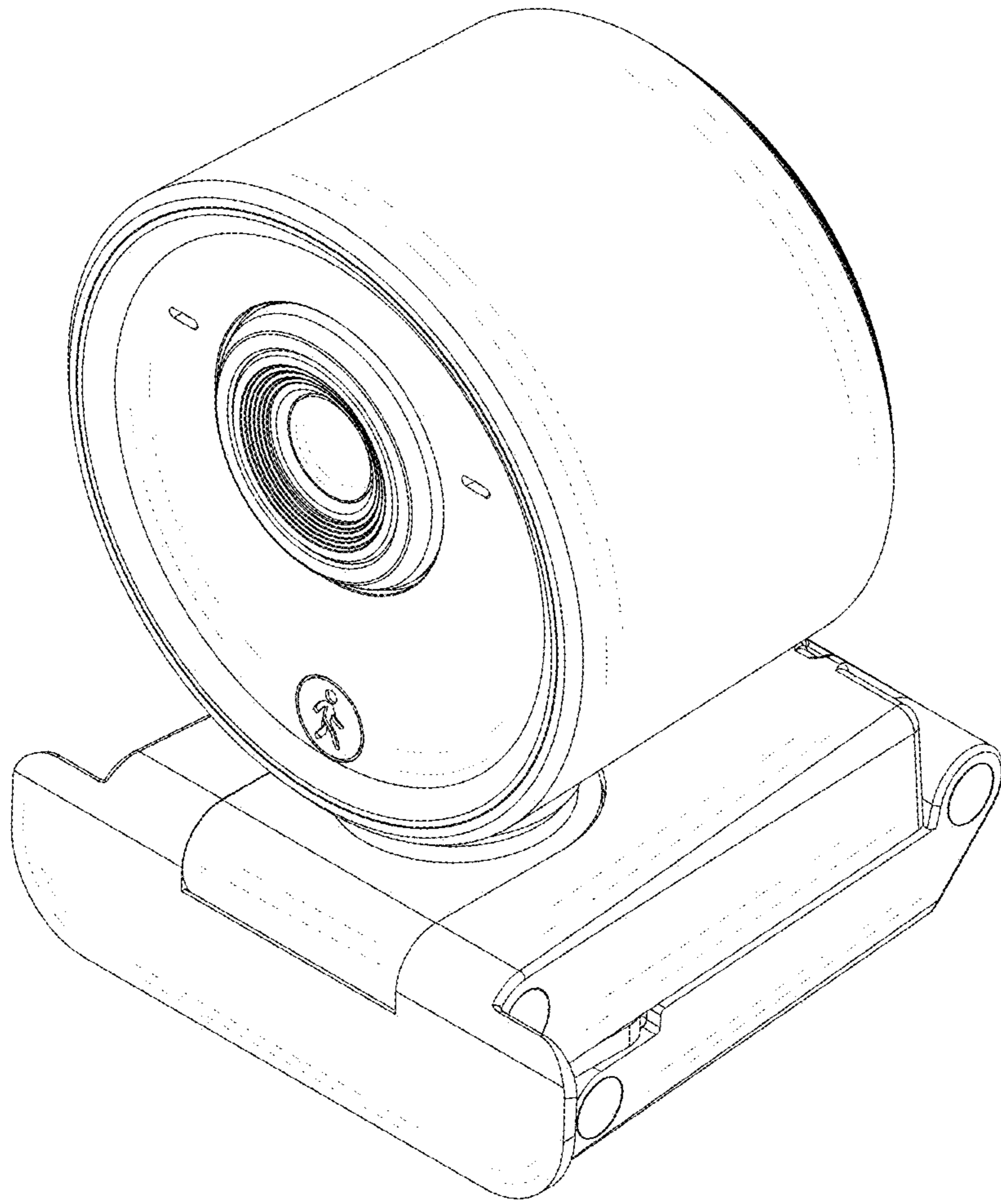


FIG. 7

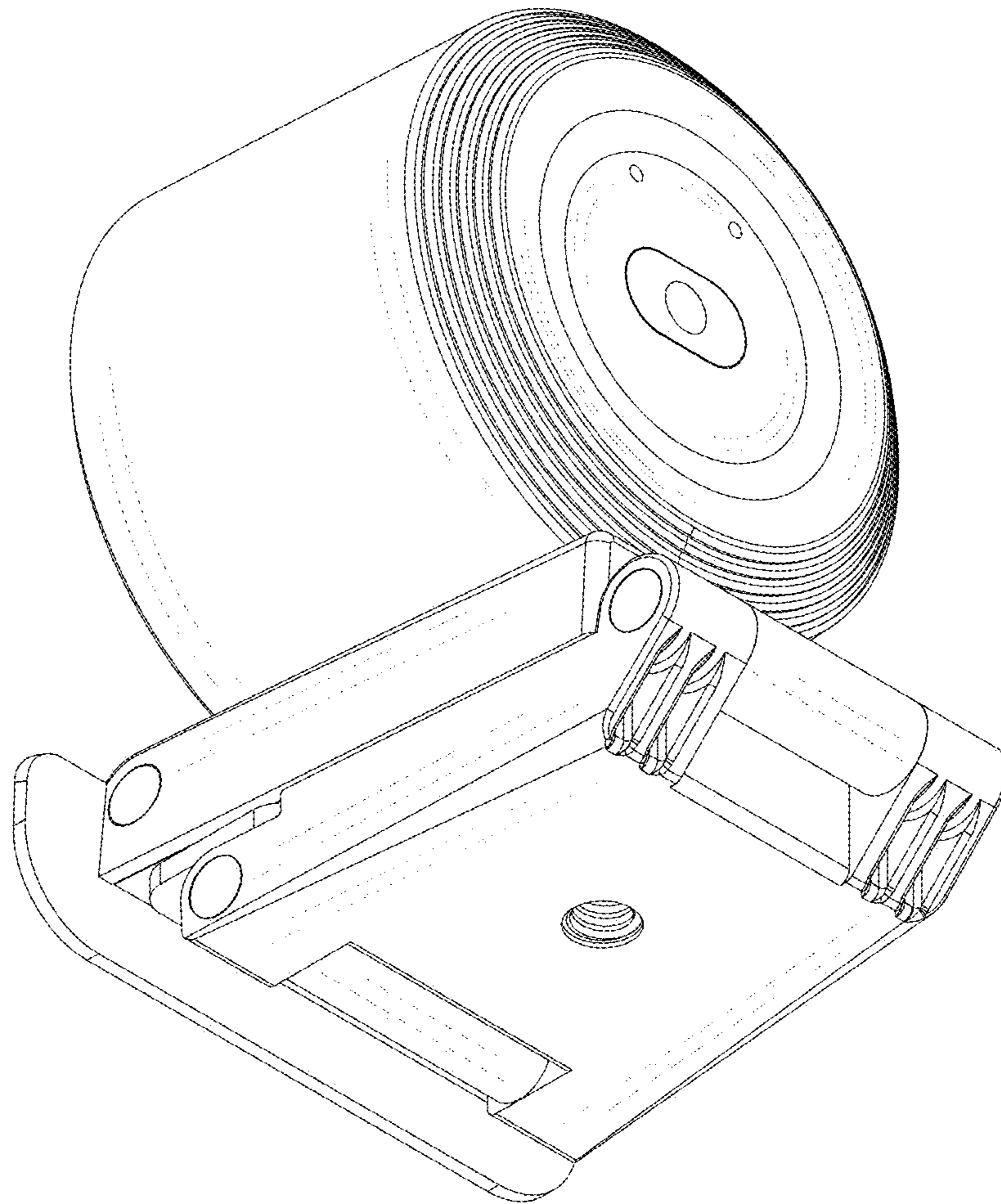


FIG. 8