



US00D973747S

(12) **United States Design Patent**  
**Zhu**

(10) **Patent No.:** **US D973,747 S**

(45) **Date of Patent:** **\*\* Dec. 27, 2022**

(54) **VIDEO CONFERENCE CAMERA DEVICE**

(71) Applicant: **SHANGHAI LIWCV CO., LTD.**,  
Shanghai (CN)

(72) Inventor: **Leizhen Zhu**, Shanghai (CN)

(73) Assignee: **SHANGHAI LIWCV CO., LTD.**,  
Shanghai (CN)

(\*\*) Term: **15 Years**

(21) Appl. No.: **29/798,422**

(22) Filed: **Jul. 8, 2021**

(51) **LOC (13) Cl.** ..... **16-01**

(52) **U.S. Cl.**  
USPC ..... **D16/202**

(58) **Field of Classification Search**  
USPC ..... D16/200, 202–203, 208, 218, 219, 242;  
248/187.1; 348/14.01–14.6, 143, 148,  
348/151, 373–376; 396/419, 427, 428,  
396/535, 539–541  
CPC ..... G03B 17/02; G03B 19/04; G03B 17/56;  
G03B 17/04; G03B 15/03; H04N  
2101/00; H04N 2007/145; H04N 7/141;  
H04N 7/142; H04N 7/147; H04N 7/148;  
H04N 7/15; H04N 7/152  
See application file for complete search history.

(56) **References Cited**

**U.S. PATENT DOCUMENTS**

D487,104 S \* 2/2004 Obata ..... D16/202  
D566,148 S \* 4/2008 Akita ..... D16/202  
D600,730 S \* 9/2009 Su ..... D16/202

D629,031 S \* 12/2010 Su ..... D16/202  
D641,388 S \* 7/2011 Shih ..... D16/202  
D650,408 S \* 12/2011 Kim ..... D16/202  
D664,579 S \* 7/2012 Tzeng ..... D16/202  
D675,660 S \* 2/2013 Su ..... D16/202  
D680,569 S \* 4/2013 Lee ..... D16/202  
D685,015 S \* 6/2013 Wang ..... D16/202  
D849,086 S \* 5/2019 Russo ..... D16/202  
D870,790 S \* 12/2019 Depay ..... D16/202  
D893,577 S \* 8/2020 Dearsley ..... D16/202  
D907,091 S \* 1/2021 Lv ..... D16/202  
D910,730 S \* 2/2021 Hao ..... D16/202  
D924,959 S \* 7/2021 Gartrell ..... D16/202  
D929,482 S \* 8/2021 Livaudais ..... D16/202

\* cited by examiner

*Primary Examiner* — Ramzi Almatrahi

(74) *Attorney, Agent, or Firm* — Global IP Services;  
Tianhua Gu

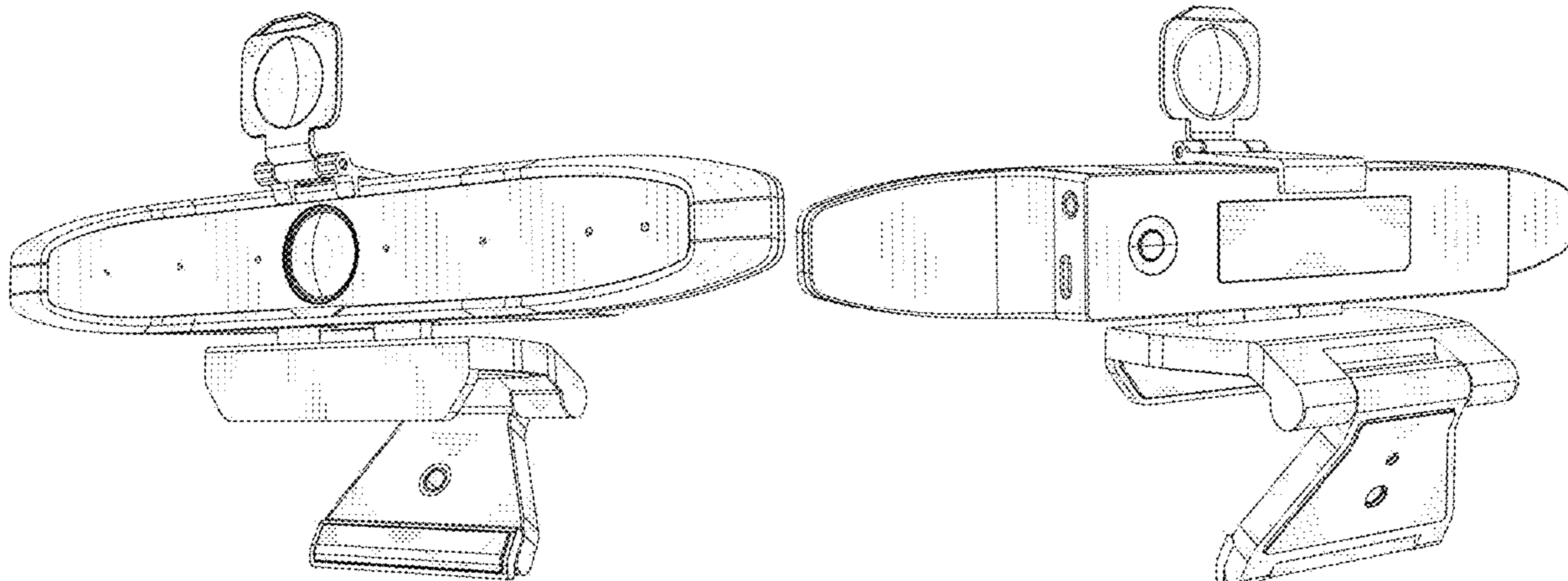
(57) **CLAIM**

The ornamental design for a video conference camera device, as shown and described.

**DESCRIPTION**

FIG. 1 is a front and right side perspective view of a video conference camera device showing my new design; FIG. 2 is a rear and right side perspective view thereof; FIG. 3 is a front elevational view thereof; FIG. 4 is a rear elevational view thereof; FIG. 5 is a left side elevational view thereof; FIG. 6 is a right side elevational view thereof; FIG. 7 is a top plan view thereof; and, FIG. 8 is a bottom plan view thereof.

**1 Claim, 8 Drawing Sheets**



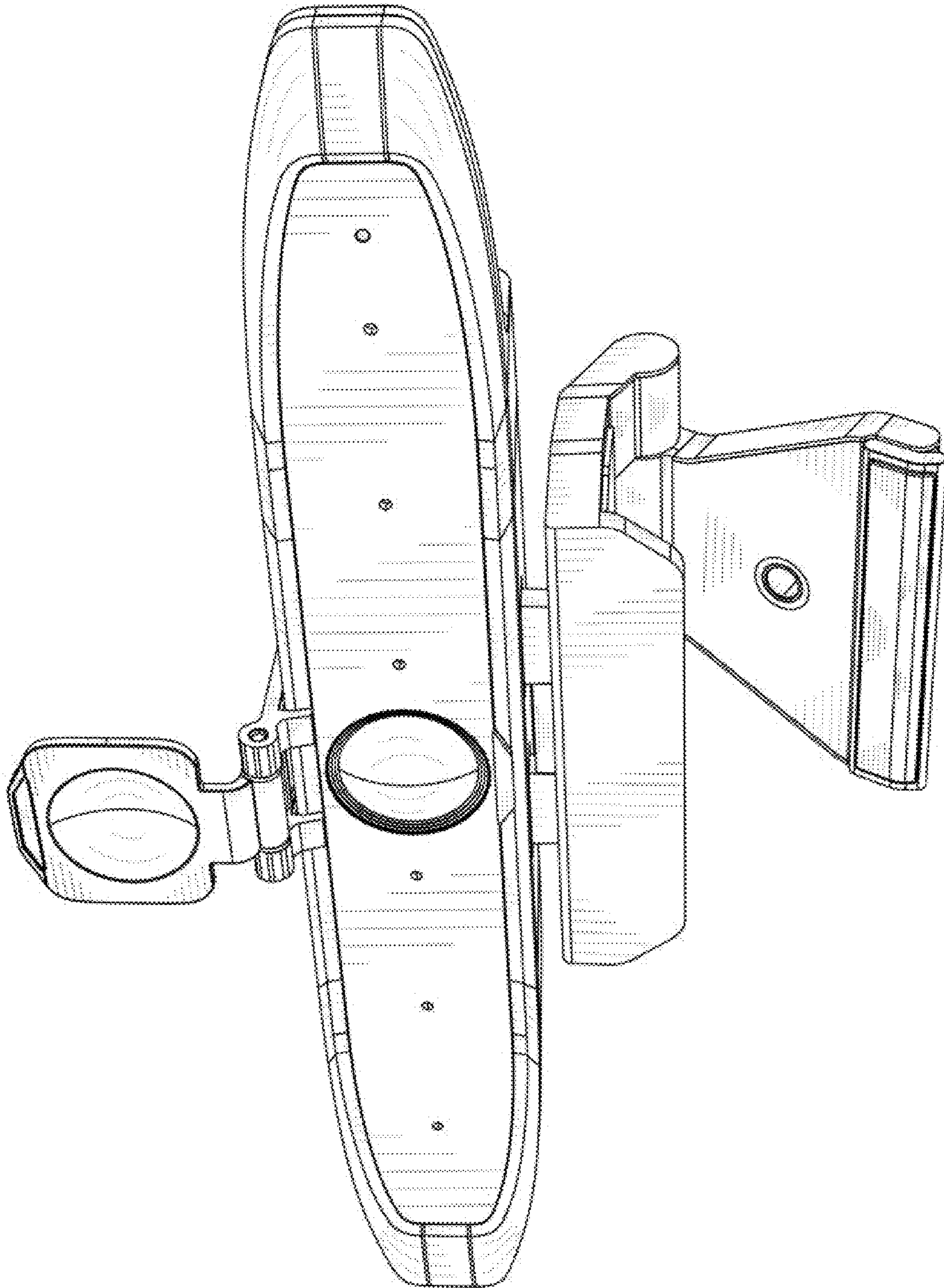


FIG. 1

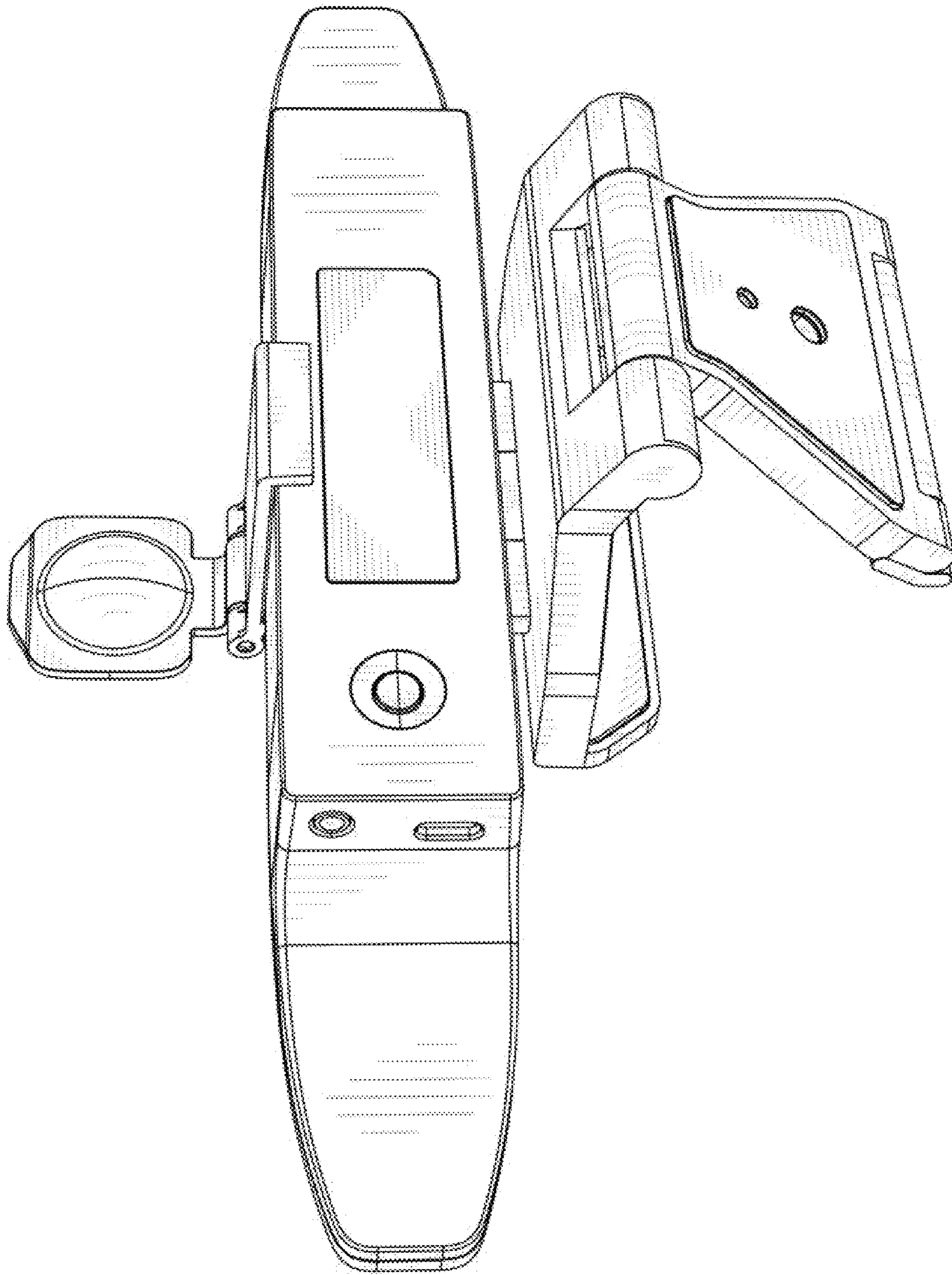


FIG. 2

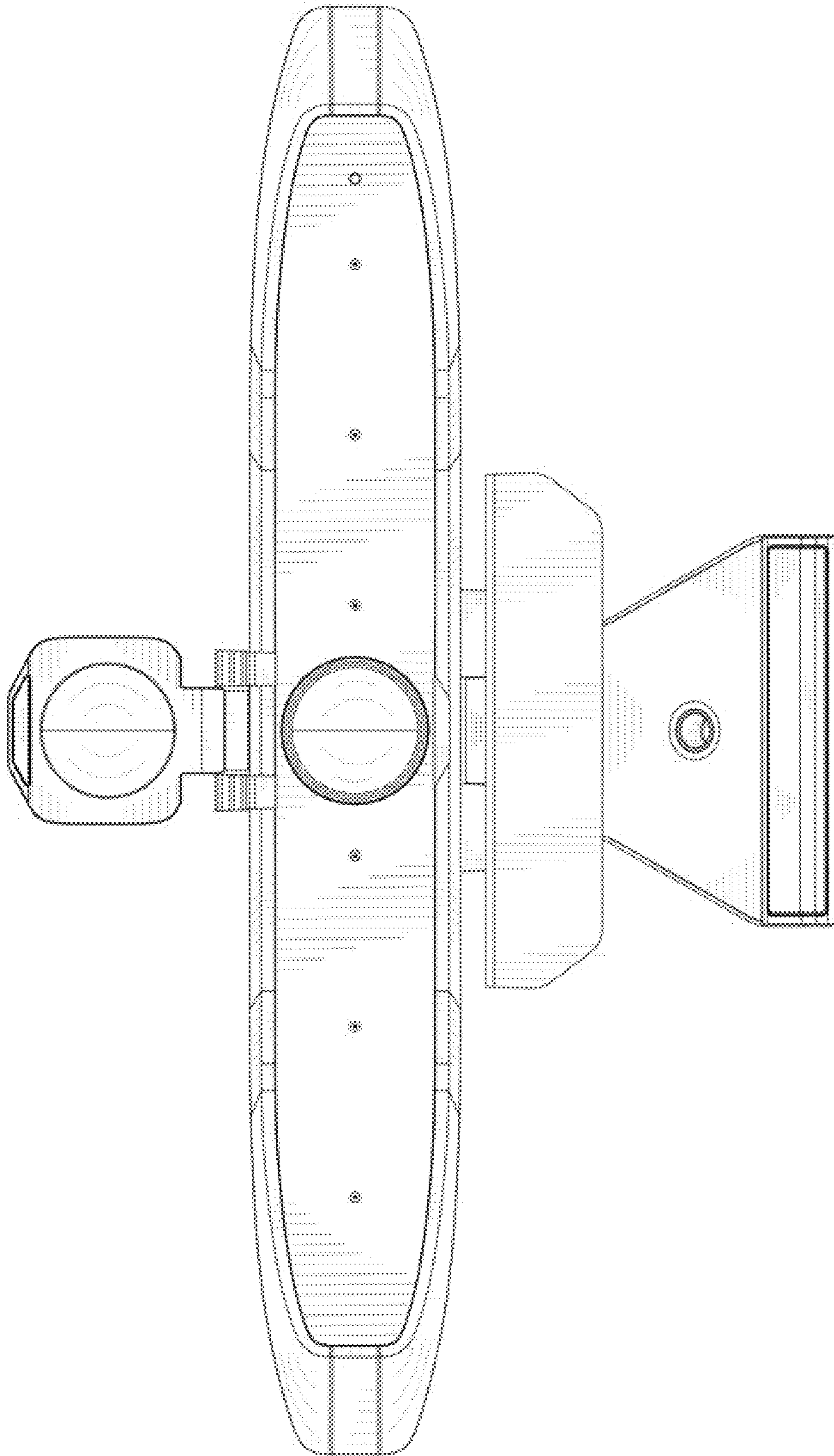


FIG. 3

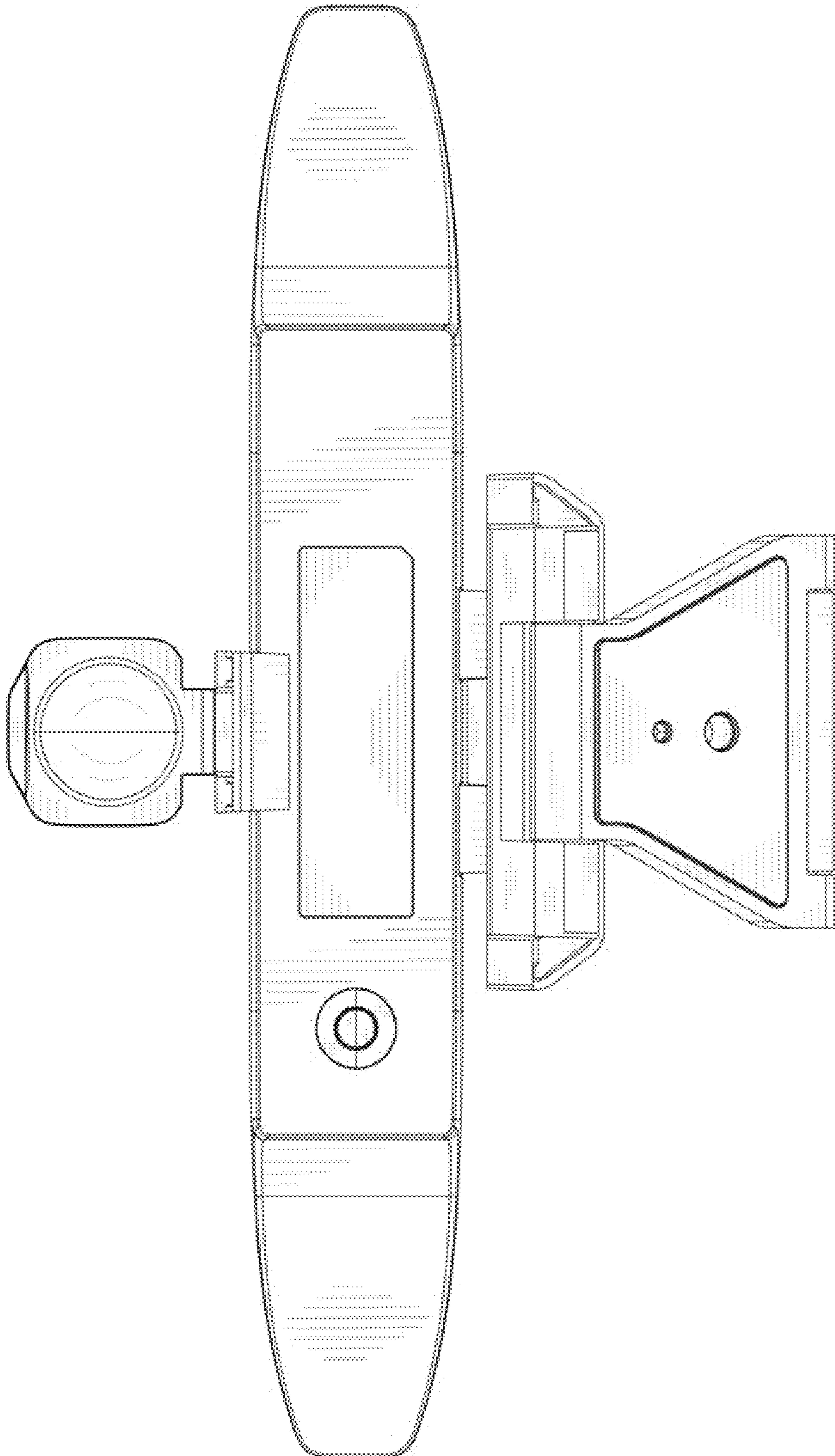


FIG. 4

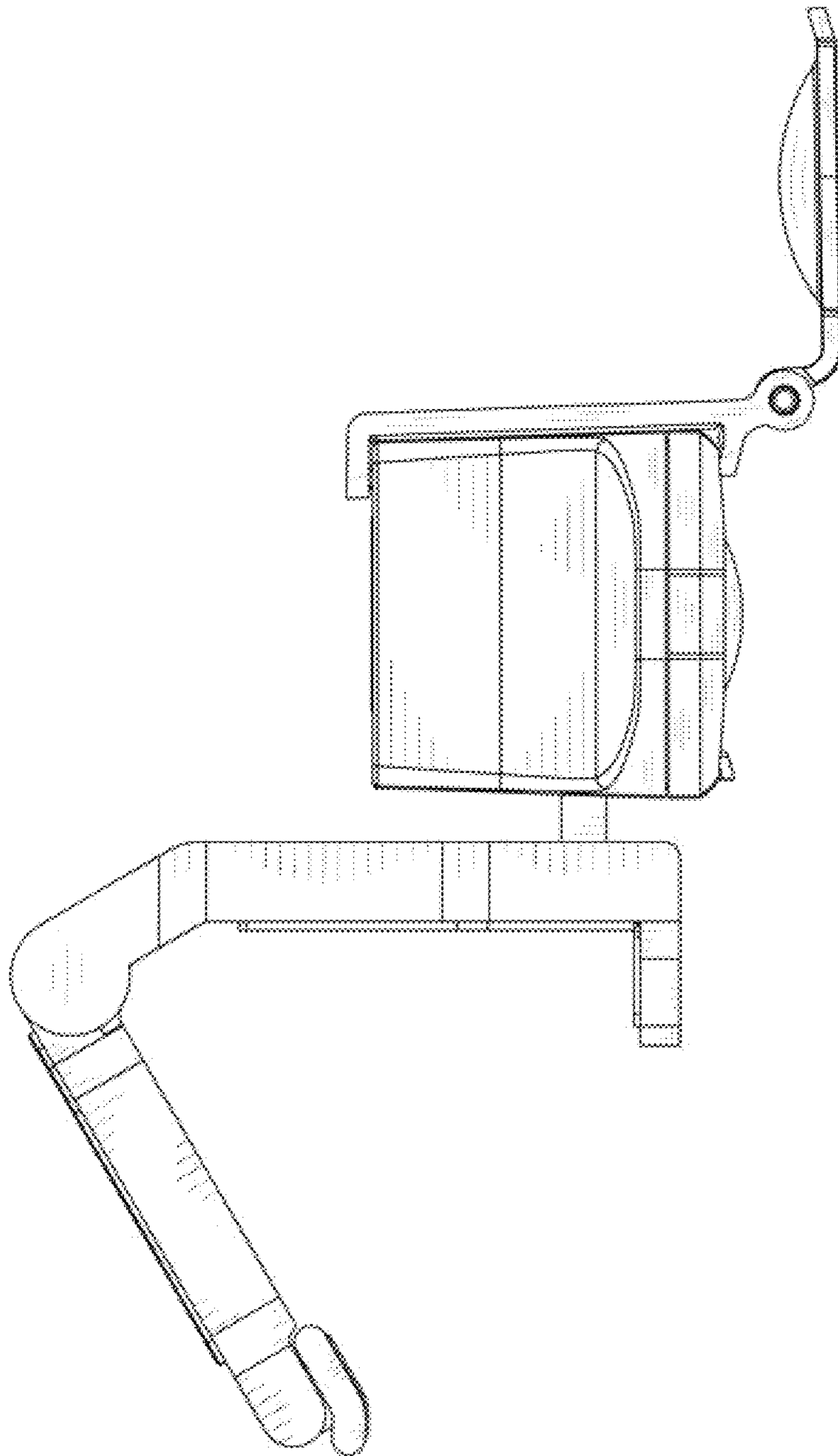


FIG. 5

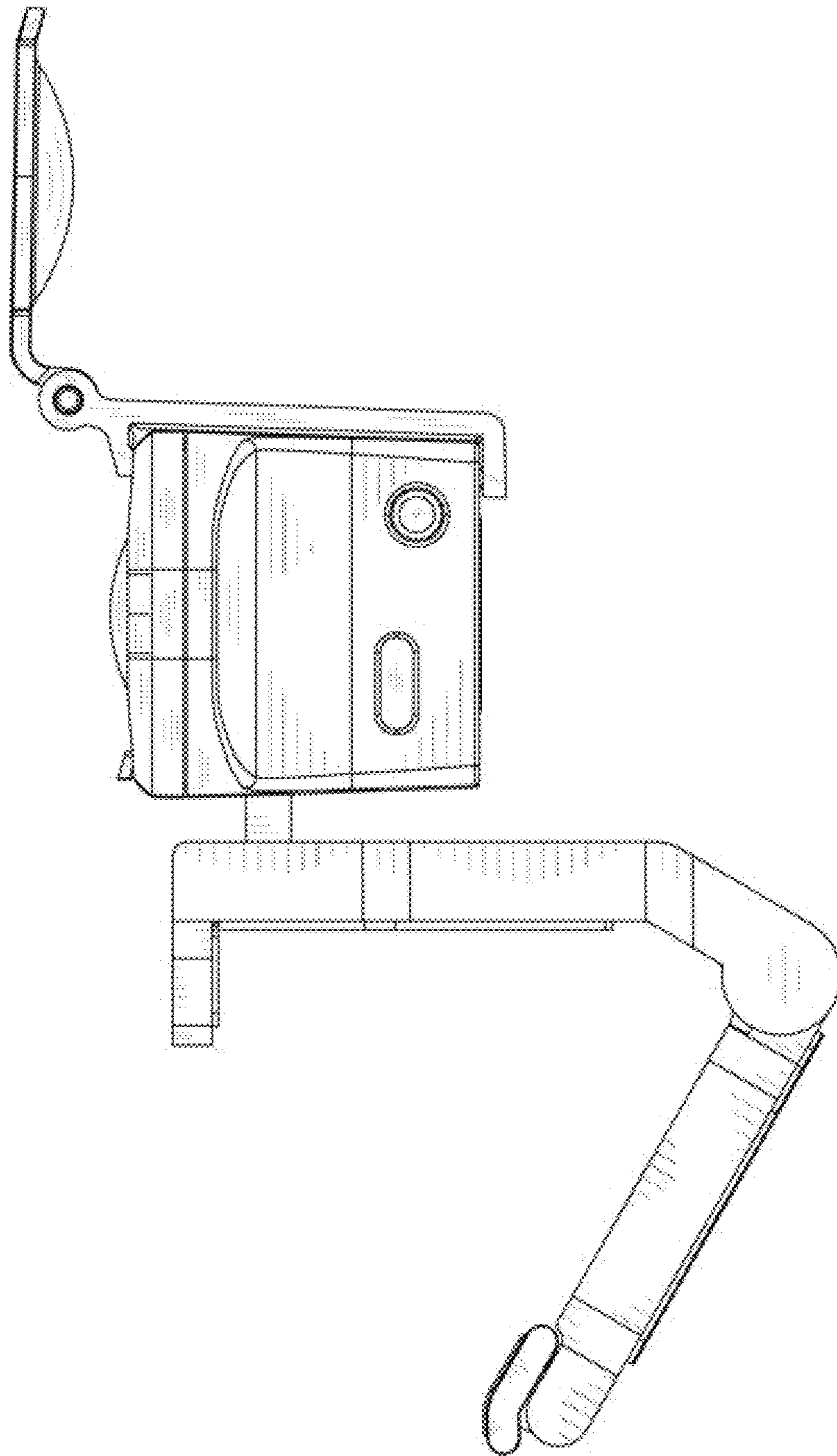


FIG. 6

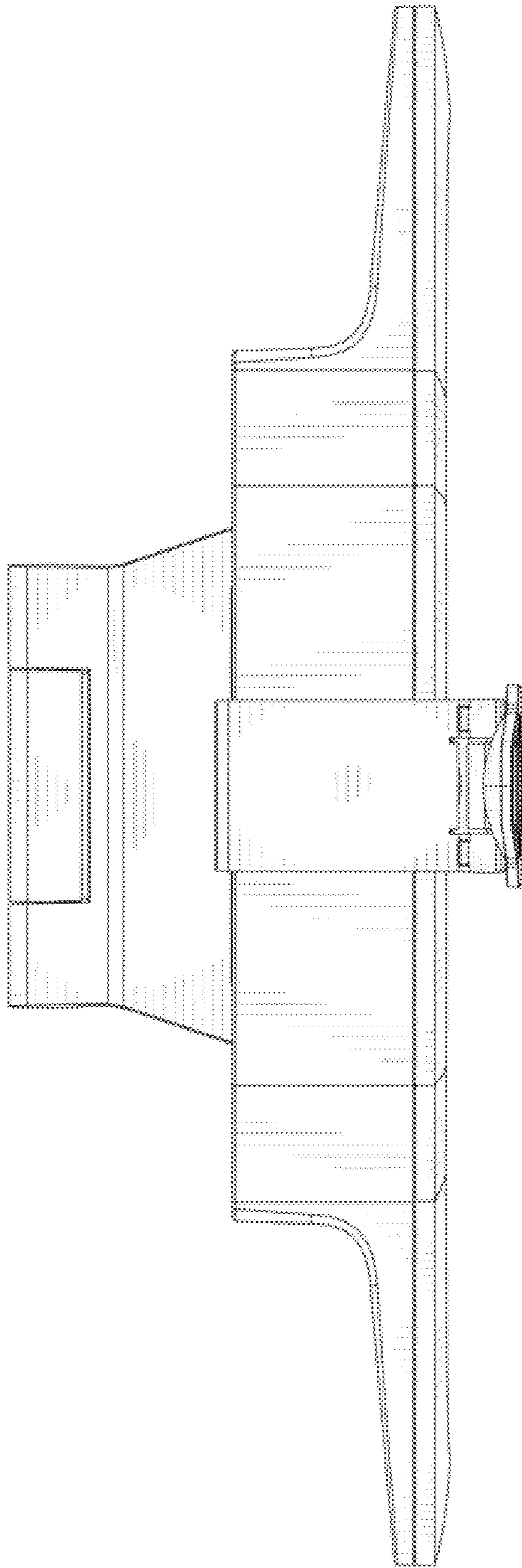


FIG. 7



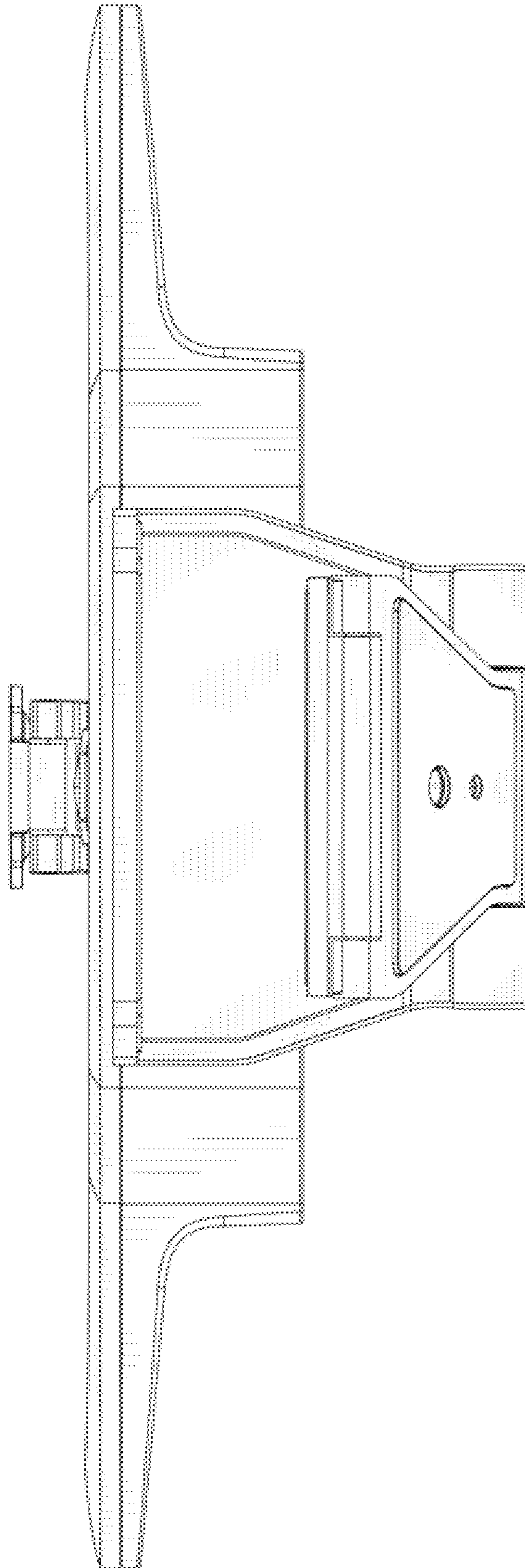


FIG. 8