



US00D973746S

(12) **United States Design Patent**
Yu

(10) **Patent No.:** **US D973,746 S**

(45) **Date of Patent:** **** Dec. 27, 2022**

(54) **HUNTING CAMERA**

(71) Applicant: **Shenzhen Longzhiyuan Technology Co., Ltd.**, Shenzhen (CN)

(72) Inventor: **Mengchu Yu**, Shenzhen (CN)

(73) Assignee: **Shenzhen Longzhiyuan Technology Co., Ltd.**, Shenzhen (CN)

(**) Term: **15 Years**

(21) Appl. No.: **29/724,488**

(22) Filed: **Feb. 14, 2020**

(30) **Foreign Application Priority Data**

Jul. 22, 2019 (CN) 201930391754.8

(51) **LOC (13) Cl.** **16-01**

(52) **U.S. Cl.**
USPC **D16/200**; D16/203

(58) **Field of Classification Search**
USPC D16/200–204, 207–208; D10/61, 65, 70, D10/71, 104.1, 106.6; D14/203.1
CPC G03B 15/03; G03B 17/02; G03B 17/04; G03B 17/56; G03B 19/04; H04N 7/141; H04N 7/142; H04N 7/147; H04N 7/148; H04N 7/15; H04N 7/152; H04N 5/2251; H04N 5/2252; H04N 5/2253; H04N 5/2254; H04N 5/23216; H04N 5/232939; H04N 2101/00; H04N 2007/145
See application file for complete search history.

(56) **References Cited**

U.S. PATENT DOCUMENTS

D820,338 S * 6/2018 Wu D16/203
D838,763 S * 1/2019 Yu D16/218
D865,023 S * 10/2019 Chen D16/203
D874,537 S * 2/2020 Ye D16/203
D874,545 S * 2/2020 Wang D16/218
D874,546 S * 2/2020 Yu D16/218
D875,807 S * 2/2020 Luo D16/203

D880,555 S * 4/2020 Yu D16/203
D883,358 S * 5/2020 Ren D16/203
D883,359 S * 5/2020 Ren D16/203

(Continued)

FOREIGN PATENT DOCUMENTS

CN 305603666 * 2/2020
CN 306423496 * 3/2021

OTHER PUBLICATIONS

“Wosports 2 Pack Mini Trail Camera 1080P Hunting Wildlife Cameras with Night Vision, Upgraded Waterproof IP56 Camera for Home Security Wildlife Monitoring Hunting” from Amazon.com, first available Mar. 30, 2021 from the internet <https://www.amazon.com/WOSPORTS-Wildlife-Upgraded-Waterproof-Monitoring/dp/B091CDYPLS/ref=pd_Ipo_1?pd_rd_i=B091CDYPLS&psc=1> (Year: 2021).*

(Continued)

Primary Examiner — Elizabeth J Oswecki
Assistant Examiner — Lacey Chey Bowman
(74) *Attorney, Agent, or Firm* — Dragon Sun Law Firm, PC; Jinggao Li; Nathaniel Perkins

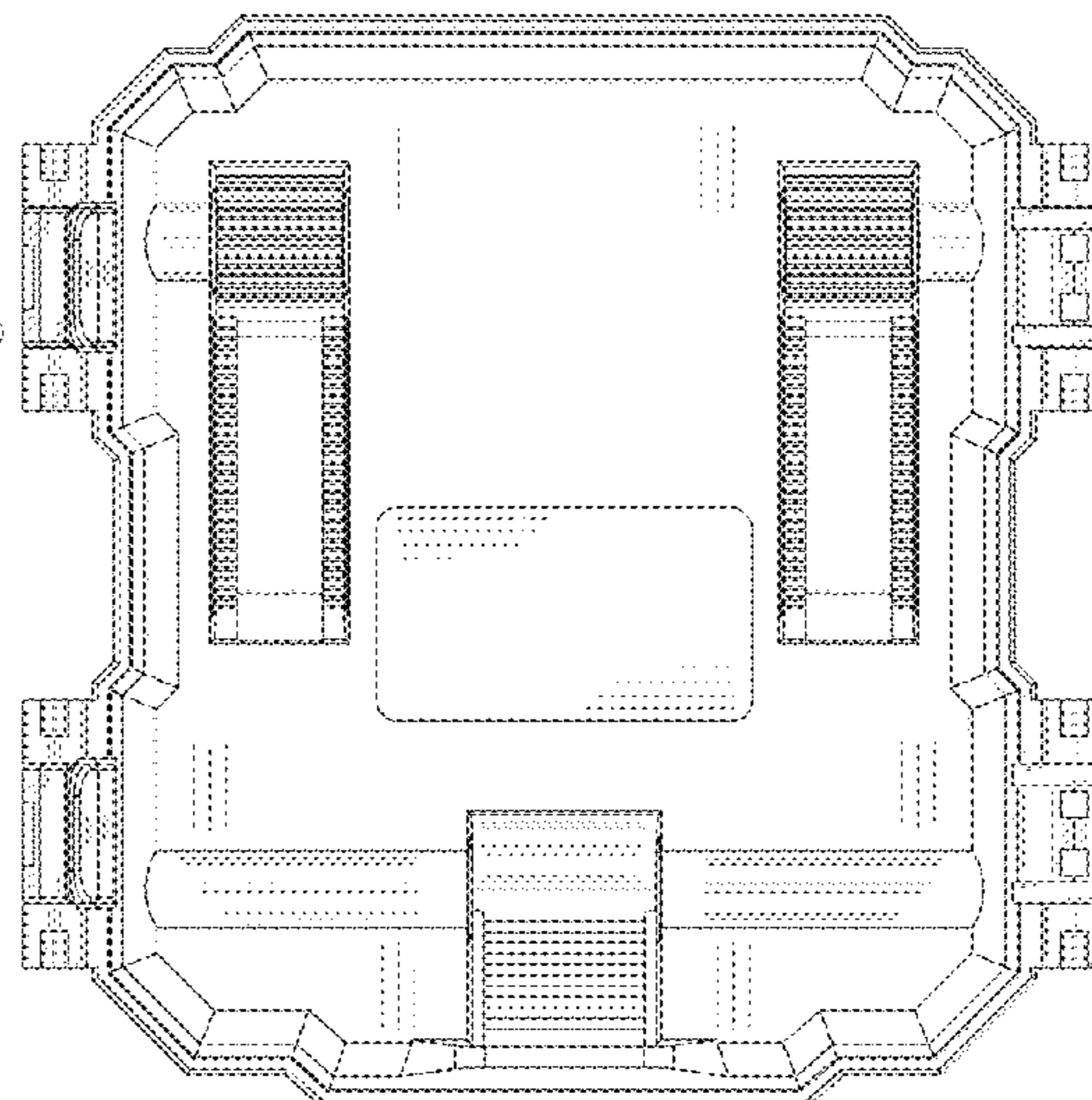
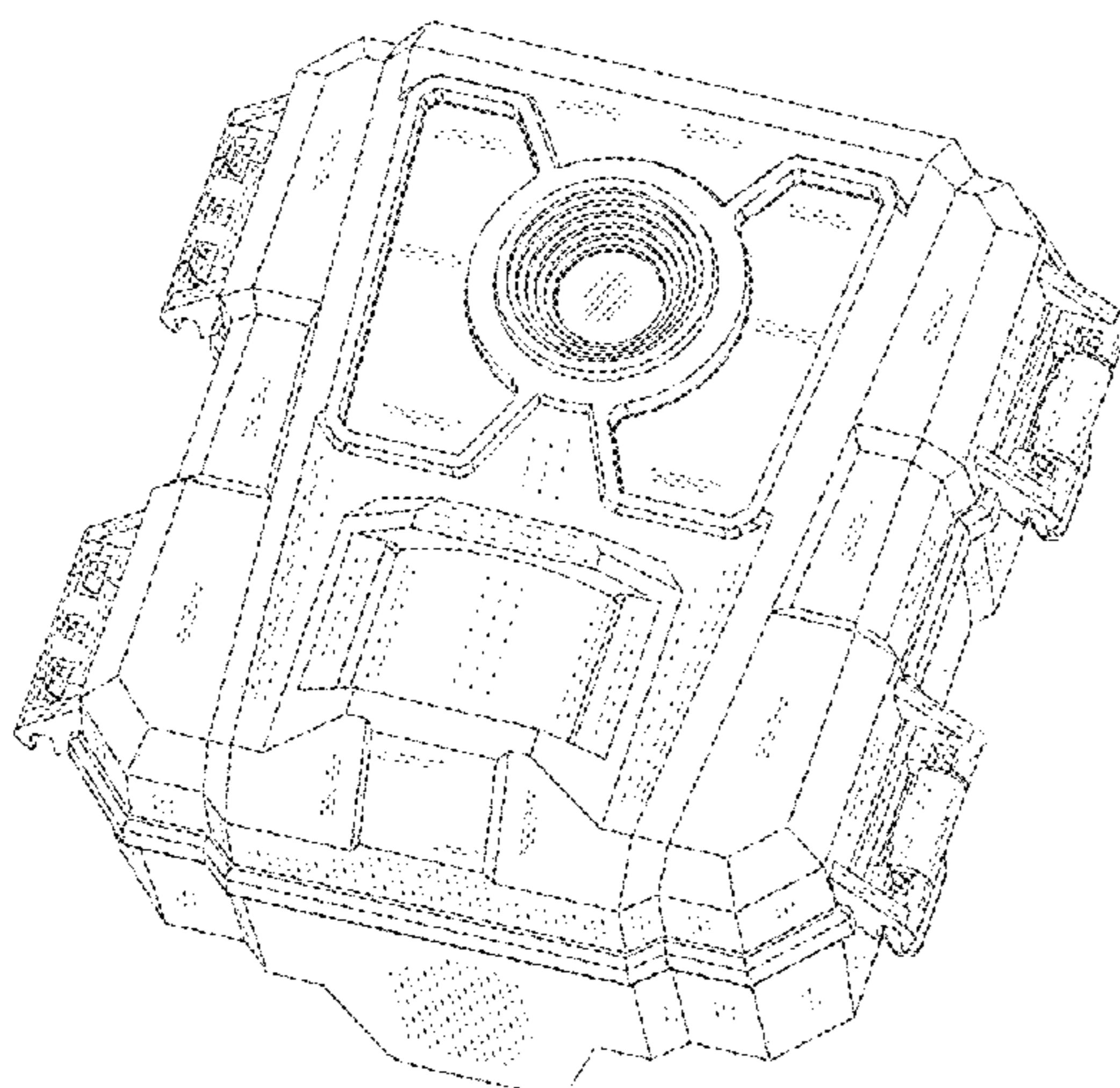
(57) **CLAIM**

The ornamental design for a hunting camera, as shown and described.

DESCRIPTION

FIG. 1 is a perspective view of a hunting camera showing my new design;
FIG. 2 is a front elevational view thereof;
FIG. 3 is a rear elevational view thereof;
FIG. 4 is a right side elevational view thereof;
FIG. 5 is a left side elevational view thereof;
FIG. 6 is a top plan view thereof; and,
FIG. 7 is a bottom plan view thereof.
The broken lines in the drawings illustrate portions of the hunting camera and form no part of the claimed design.

1 Claim, 7 Drawing Sheets



(56)

References Cited

U.S. PATENT DOCUMENTS

D903,736 S	*	12/2020	Ye	D16/202
D910,734 S	*	2/2021	Yu	D16/218
D918,986 S	*	5/2021	Yu	D16/218
D928,216 S	*	8/2021	Jiang	D16/203
D928,217 S	*	8/2021	Jiang	D16/203
D956,847 S	*	7/2022	Yu	D16/203

OTHER PUBLICATIONS

“2 Pack Mini Trail Camera 1080P HD Wildlife Scouting Hunting Camera with IR Night Vision Waterproof Video Cam G100 (2 Pack)” from Amazon.com, first available Jul. 29, 2020 from the internet <<https://www.amazon.com/dp/B08DTCXGZN/>> (Year: 2020).*

* cited by examiner

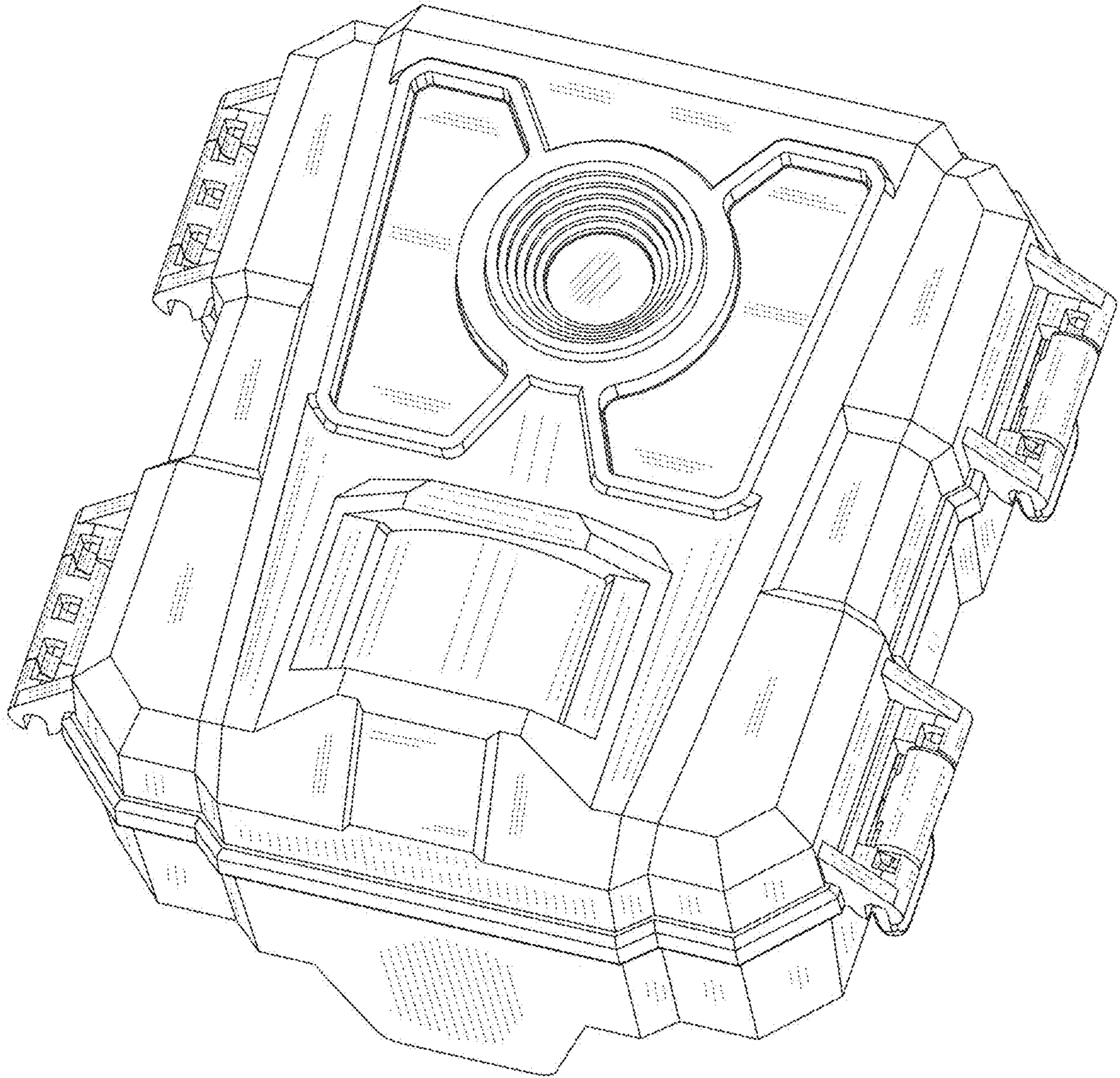


FIG. 1

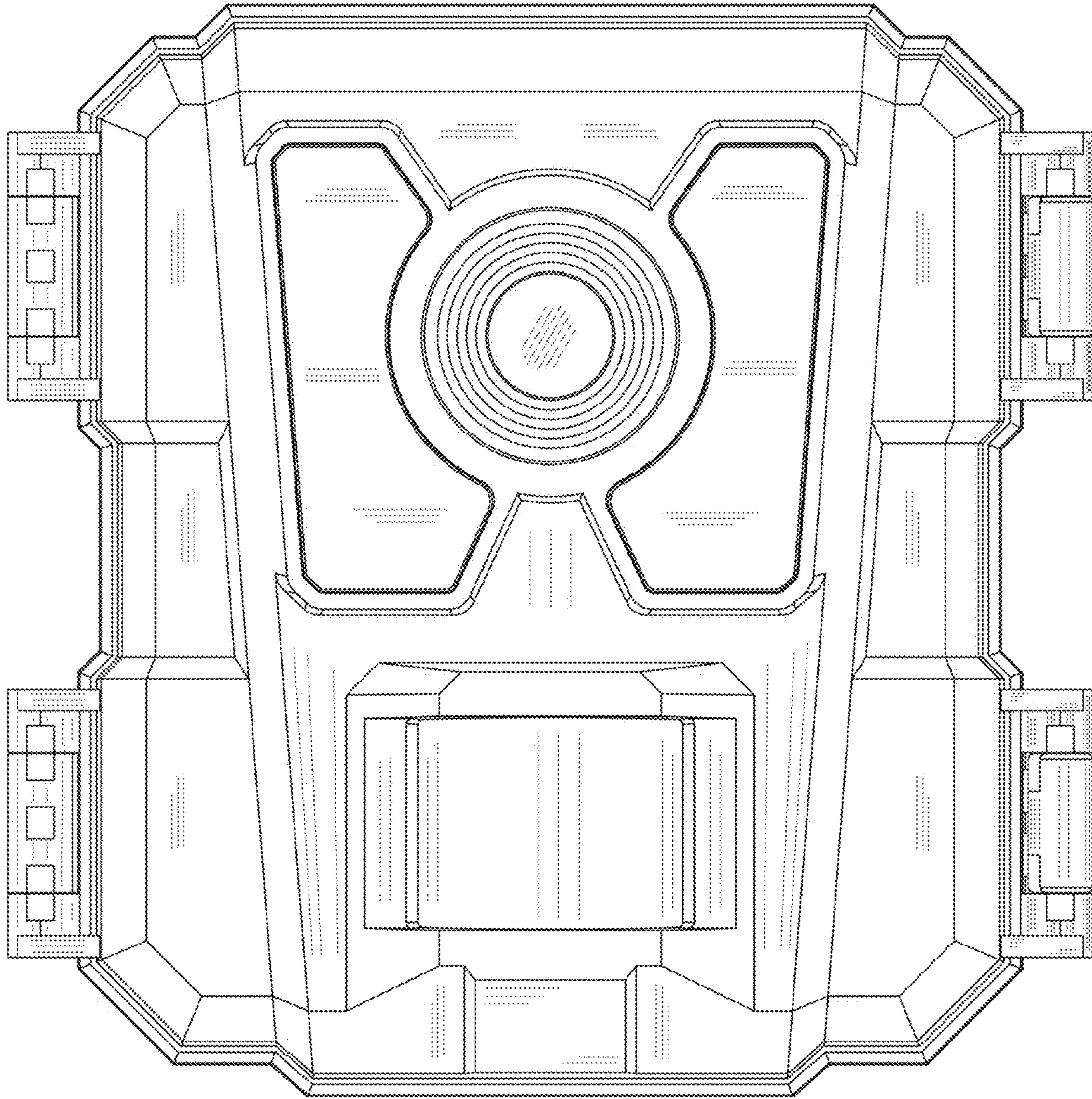


FIG. 2

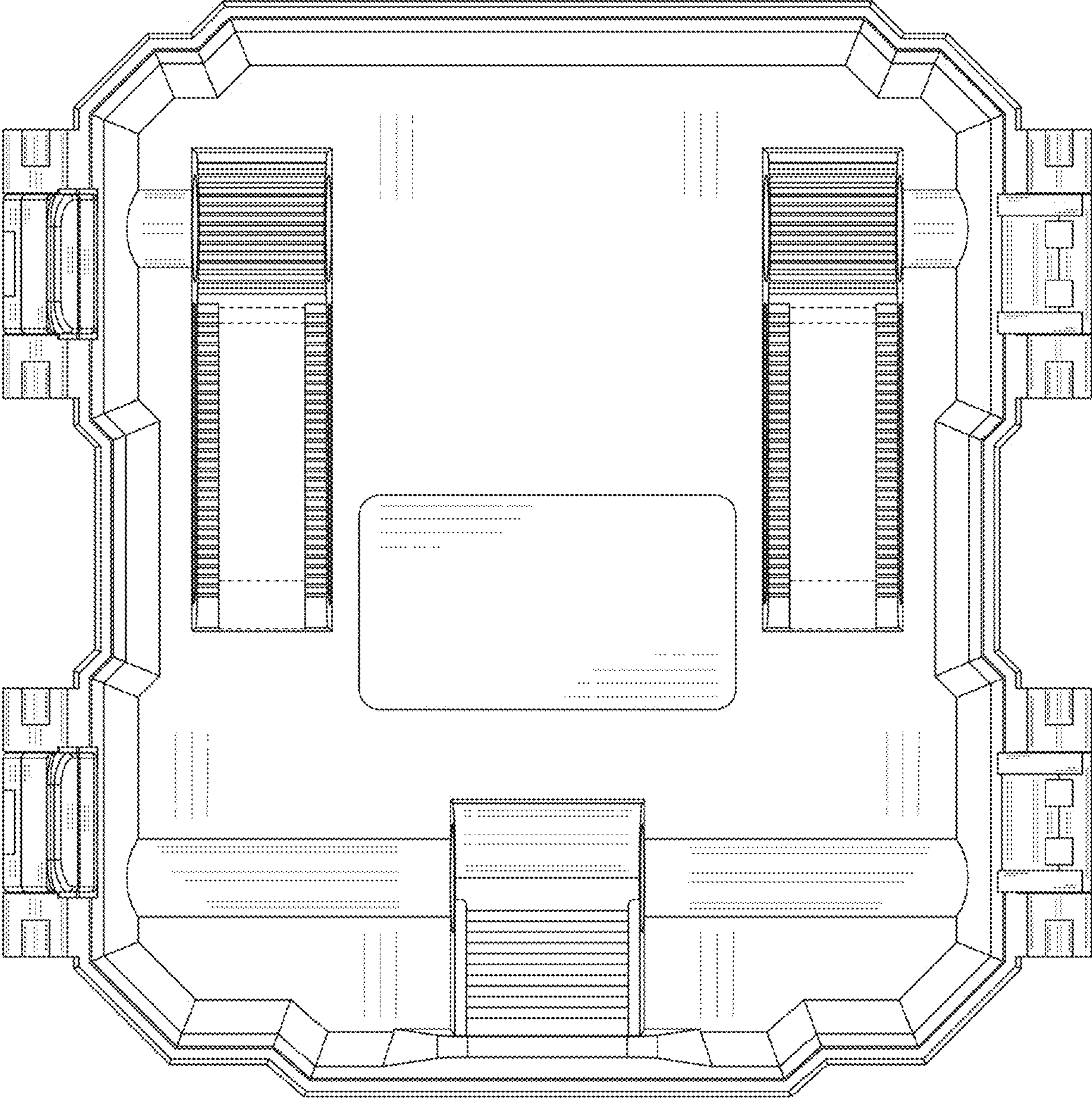


FIG. 3

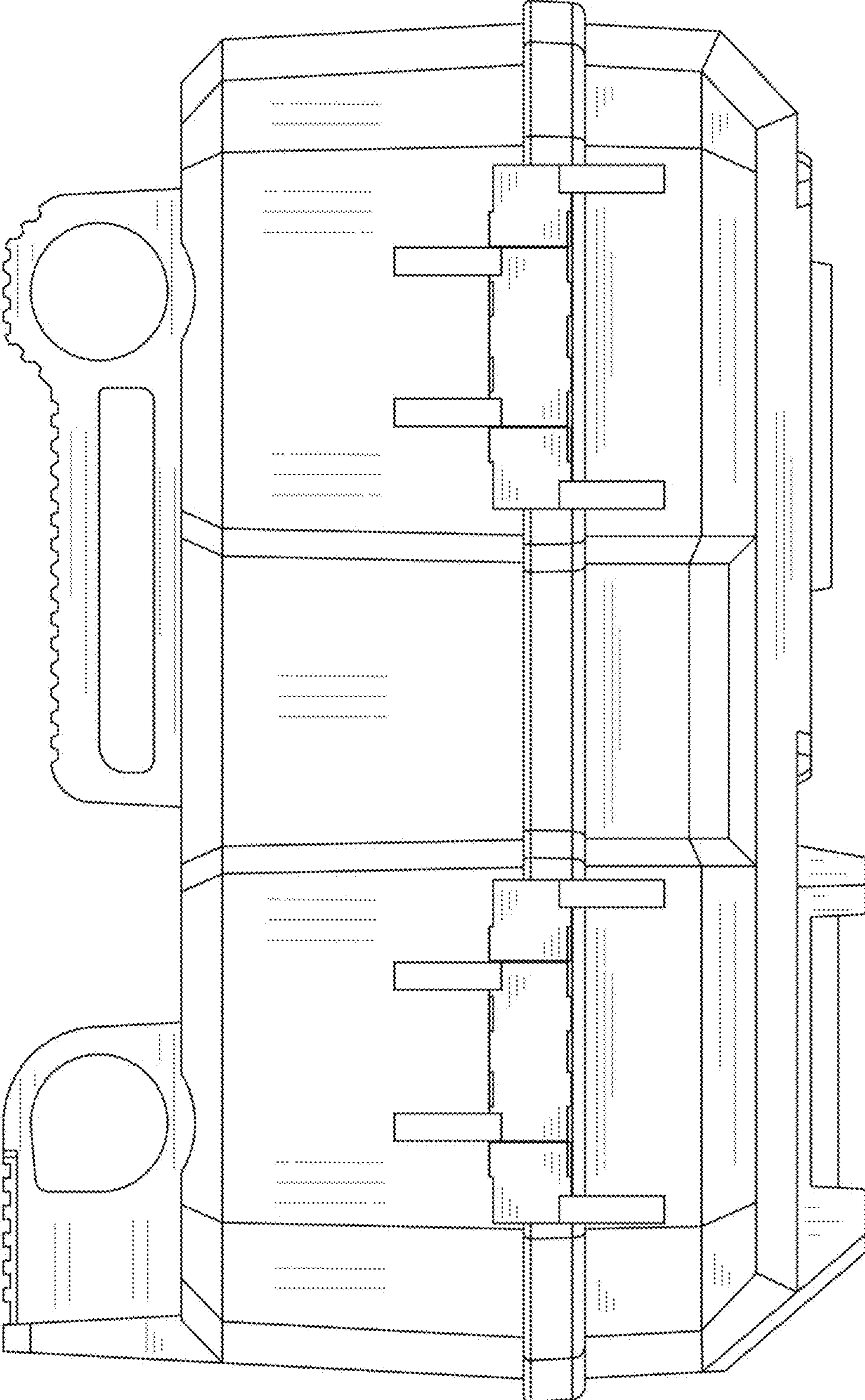


FIG. 4

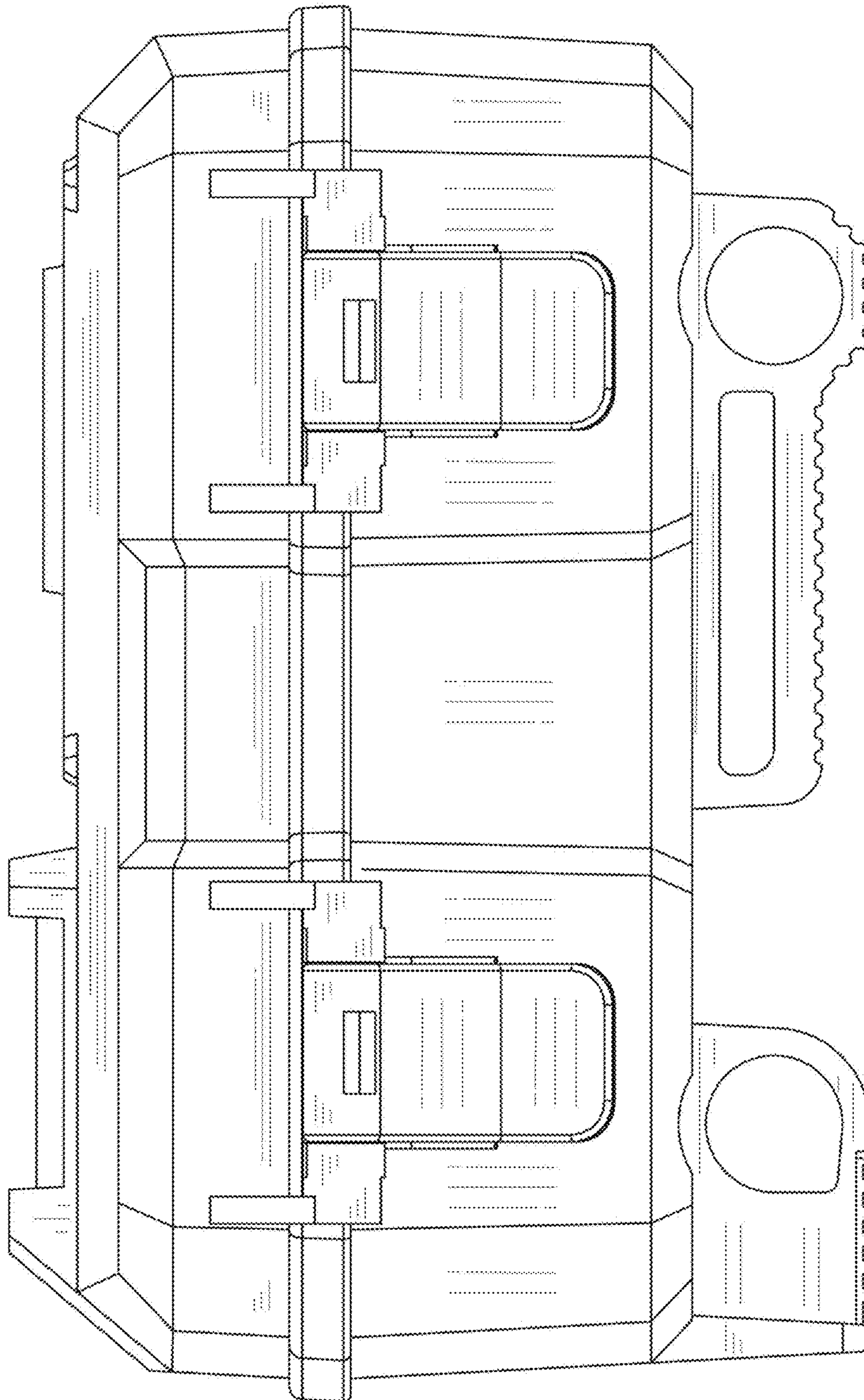


FIG. 5

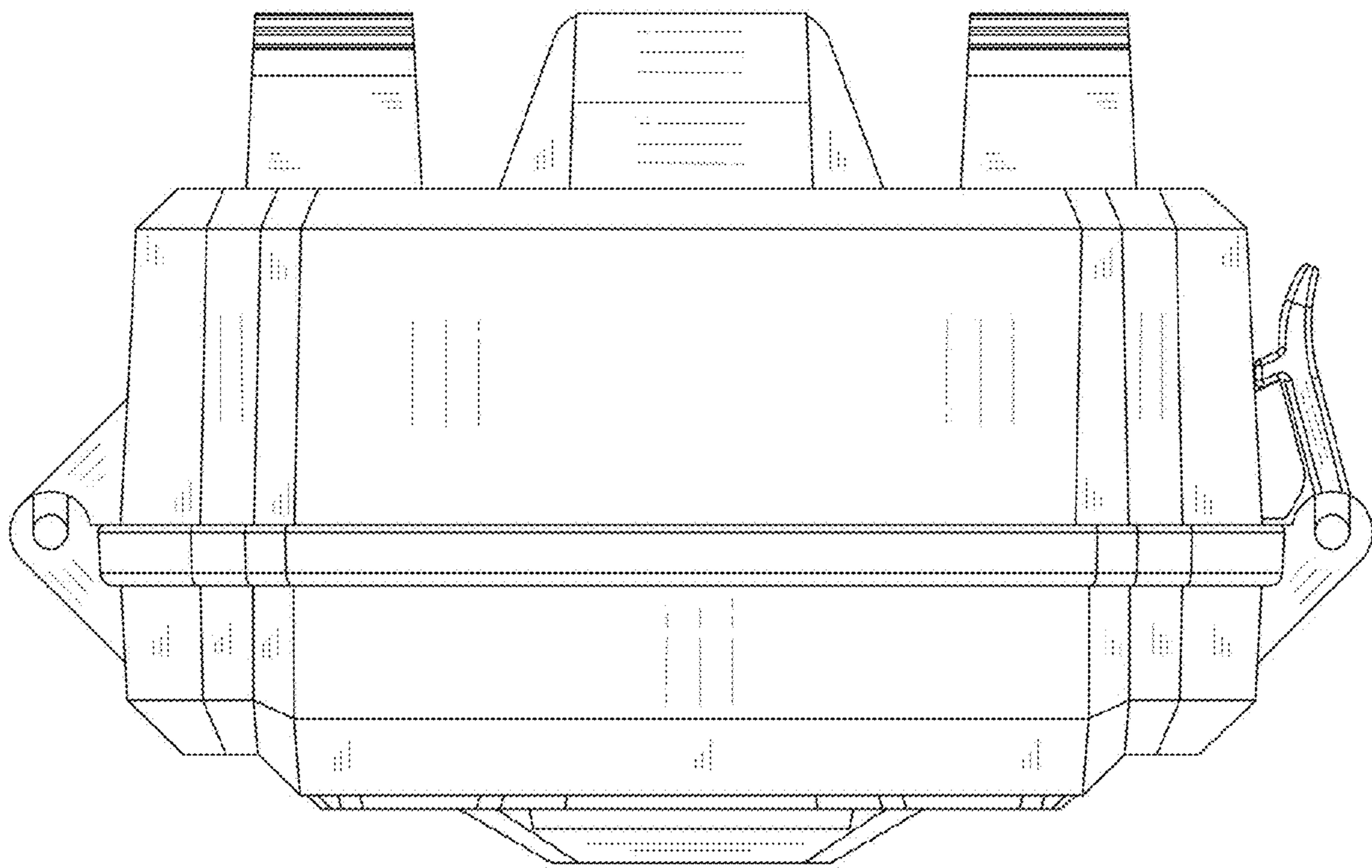


FIG. 6

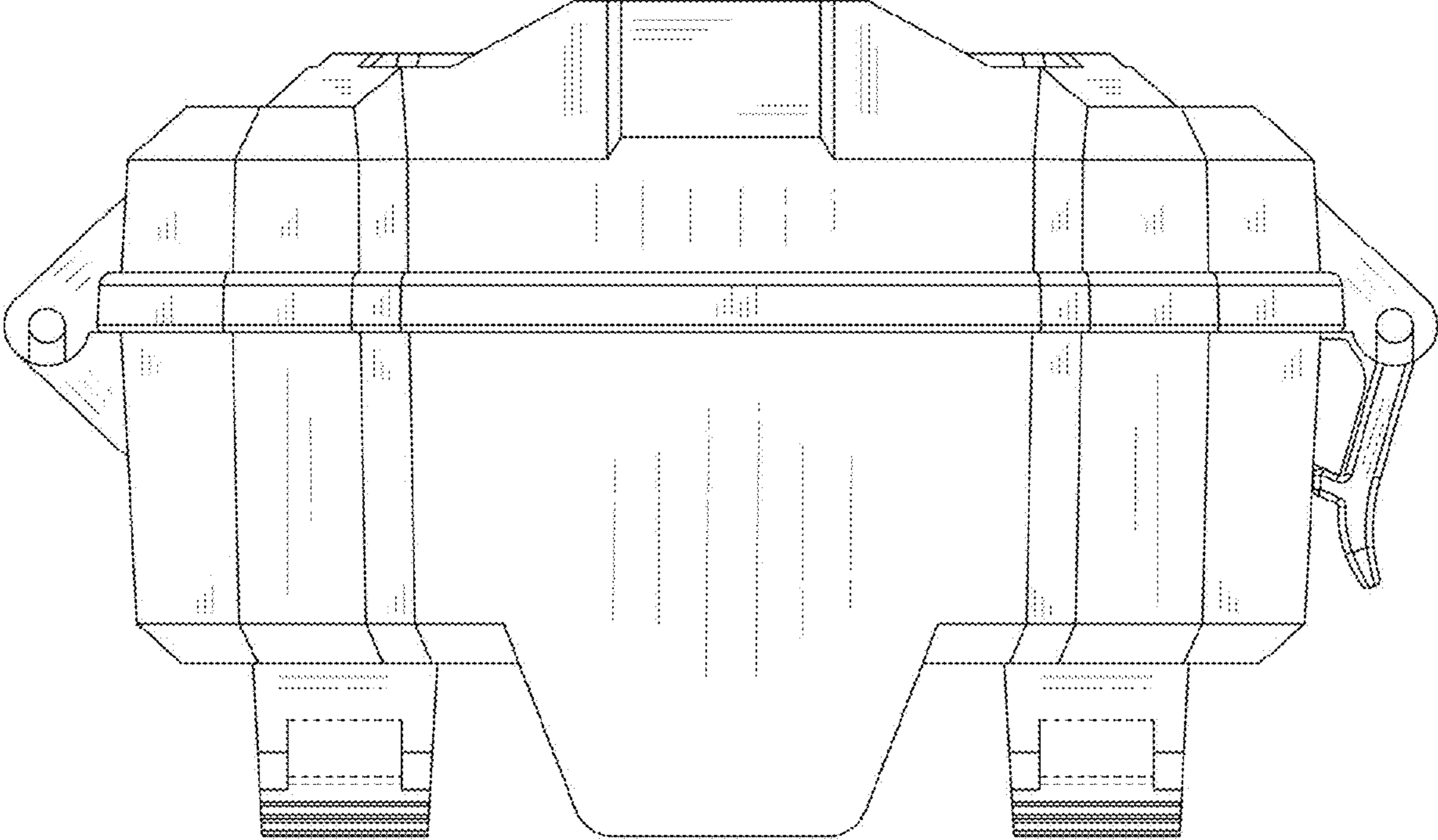


FIG. 7