



US00D973745S

(12) **United States Design Patent** (10) **Patent No.:** **US D973,745 S**  
**Takegawa** (45) **Date of Patent:** **\*\* Dec. 27, 2022**

(54) **PROBE MICROSCOPE**

(71) Applicant: **SHIMADZU CORPORATION**, Kyoto (JP)

(72) Inventor: **Ryo Takegawa**, Kyoto (JP)

(73) Assignee: **SHIMADZU CORPORATION**, Kyoto (JP)

(\*\*) Term: **15 Years**

(21) Appl. No.: **29/828,202**

(22) Filed: **Feb. 24, 2022**

**Related U.S. Application Data**

(62) Division of application No. 29/728,338, filed on Mar. 18, 2020, now Pat. No. Des. 956,120.

(30) **Foreign Application Priority Data**

Oct. 7, 2019 (JP) ..... 2019-022408 D

(51) **LOC (13) Cl.** ..... **16-06**

(52) **U.S. Cl.**  
USPC ..... **D16/131**

(58) **Field of Classification Search**  
USPC ..... D16/131, 134, 135, 137, 219, 235, 237  
CPC .. G02B 21/00; G02B 21/004; G02B 21/0008;  
G02B 21/008; G02B 21/0088; G02B  
21/22; G02B 21/24

See application file for complete search history.

(56) **References Cited**

U.S. PATENT DOCUMENTS

D608,810 S *	1/2010	Stoiakine	.....	D16/131
D626,579 S *	11/2010	Oonuma	.....	D16/131
D632,323 S *	2/2011	Oonuma	.....	D16/131
D687,475 S *	8/2013	Oonuma	.....	D16/131
D724,128 S *	3/2015	Muraoka	.....	D16/131
D887,295 S *	6/2020	Carney	.....	D10/81
D933,730 S *	10/2021	Kang	.....	D16/131
D956,120 S *	6/2022	Takegawa	.....	D16/131

\* cited by examiner

*Primary Examiner* — Richard Kearney

*Assistant Examiner* — Benjamin M Weeks

(74) *Attorney, Agent, or Firm* — JCIPRNET

(57) **CLAIM**

The ornamental design for a probe microscope, as shown and described.

**DESCRIPTION**

FIG. 1 is a perspective view of a probe microscope showing my new design;

FIG. 2 is another perspective view thereof;

FIG. 3 is a front view thereof;

FIG. 4 is a rear view thereof;

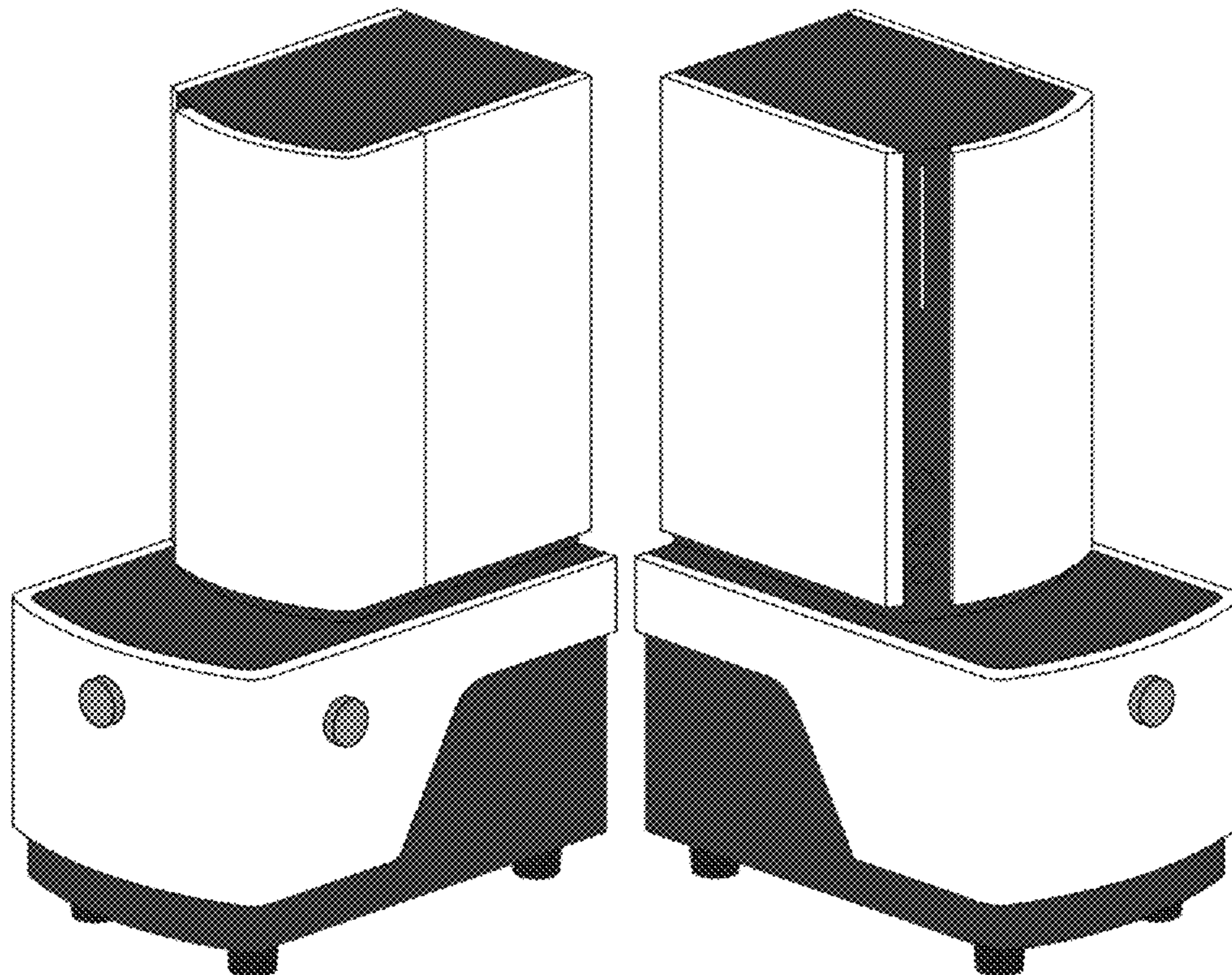
FIG. 5 is a left side view thereof;

FIG. 6 is a right side view thereof;

FIG. 7 is a top view thereof; and,

FIG. 8 is a bottom view thereof.

**1 Claim, 8 Drawing Sheets**



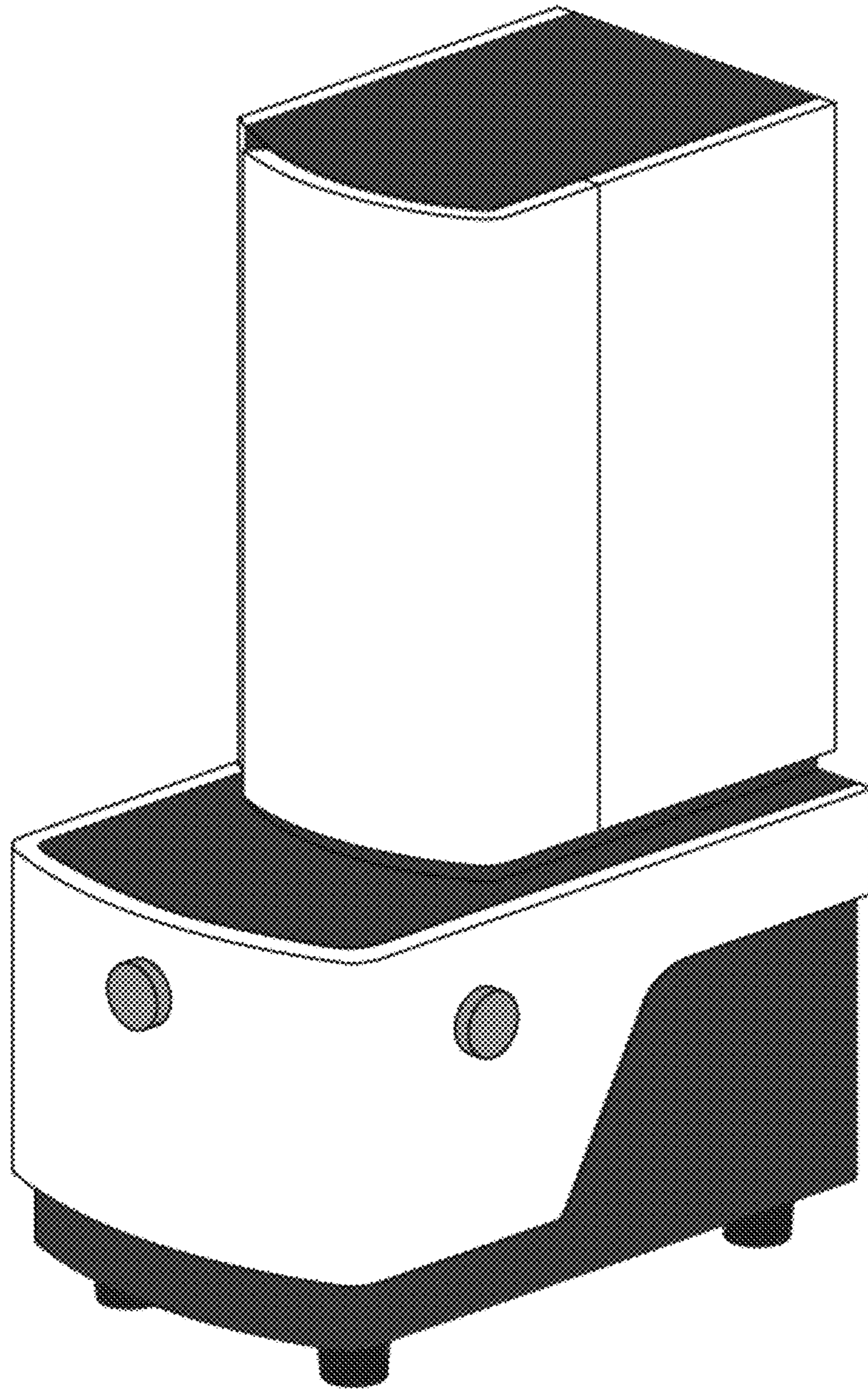


FIG. 1

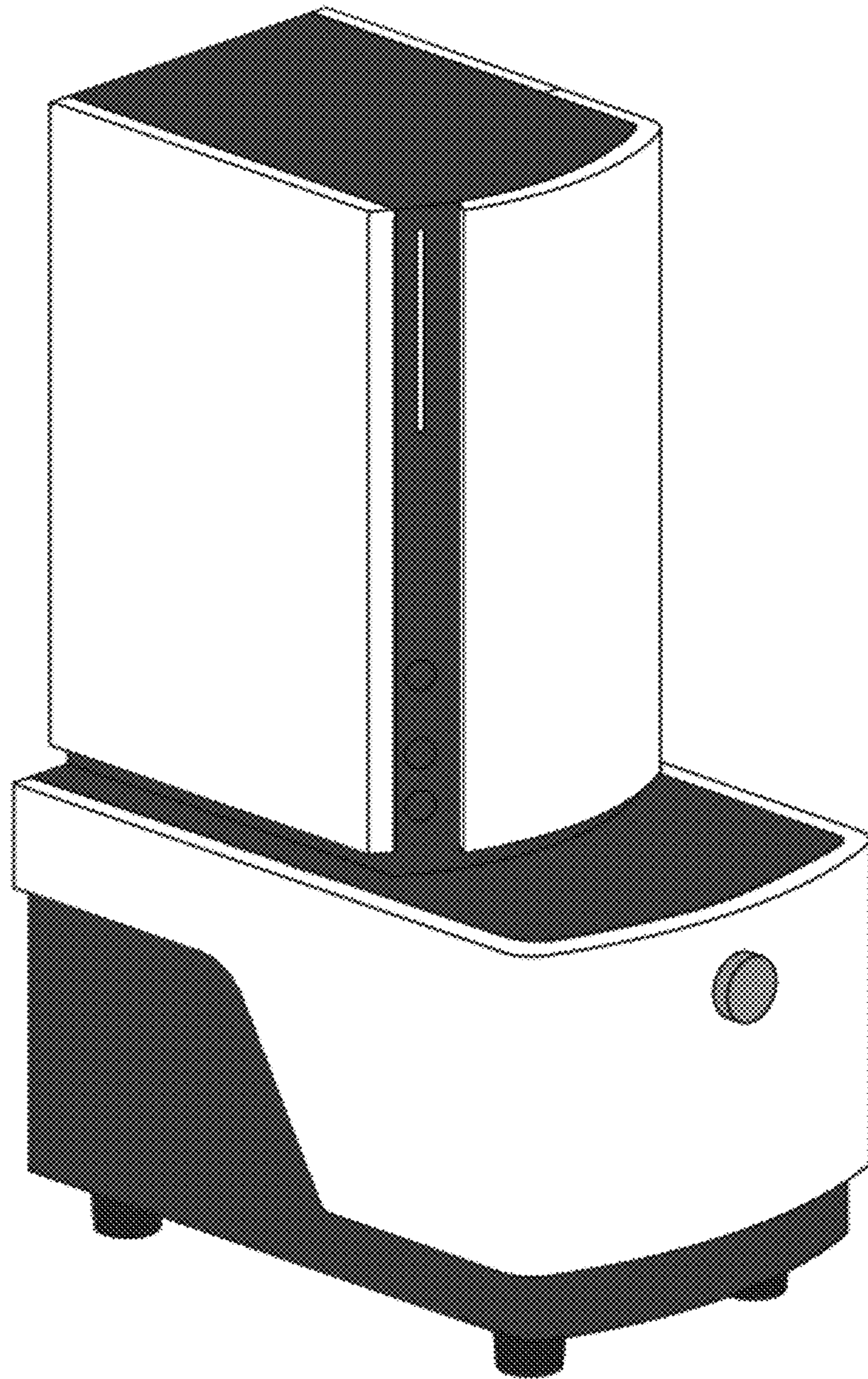


FIG. 2

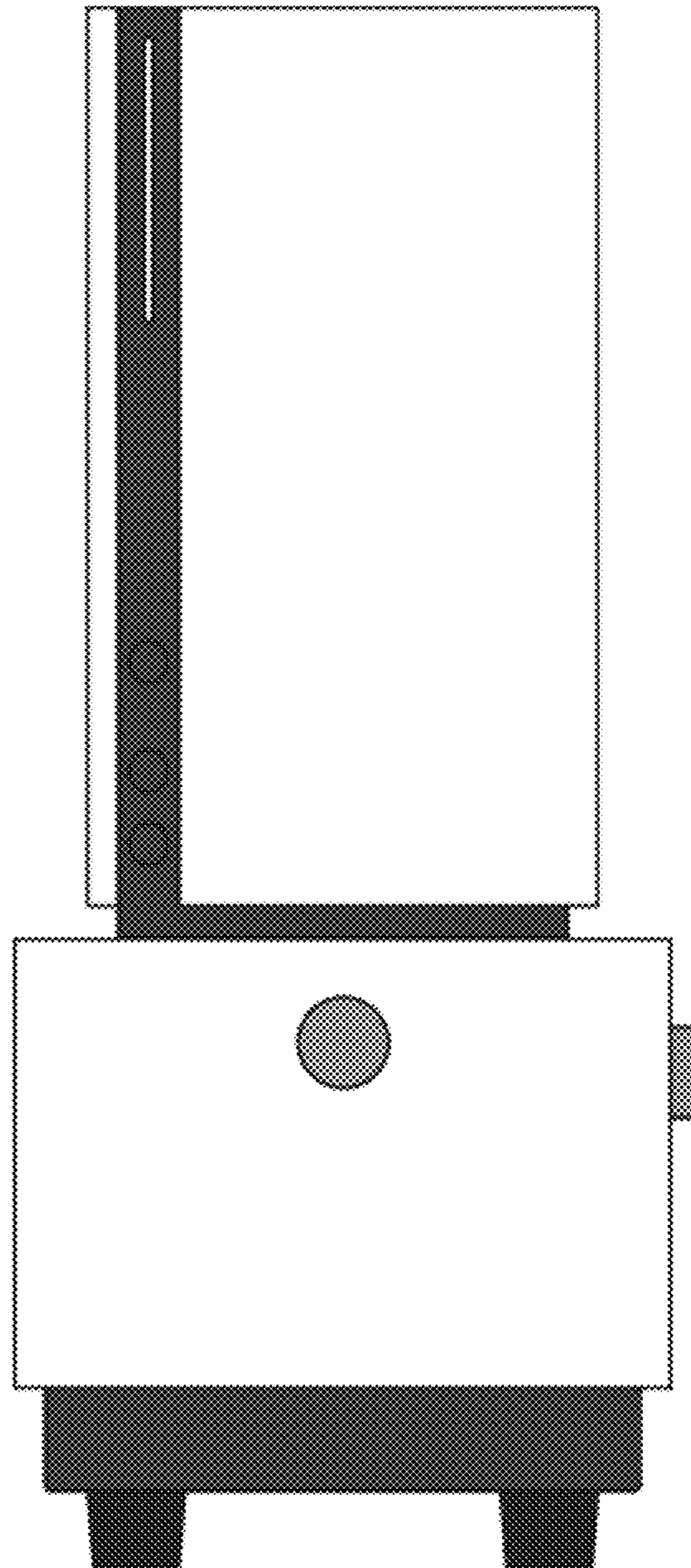


FIG. 3

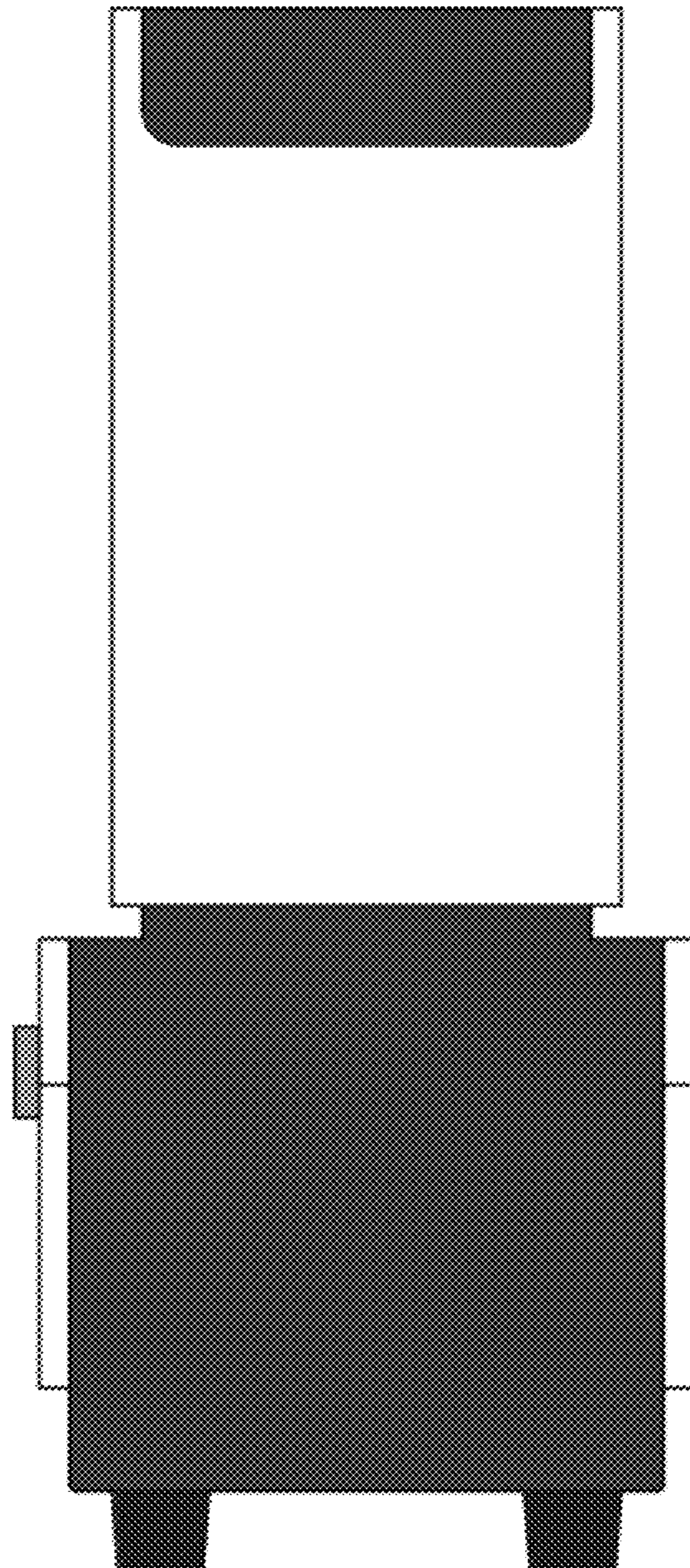


FIG. 4

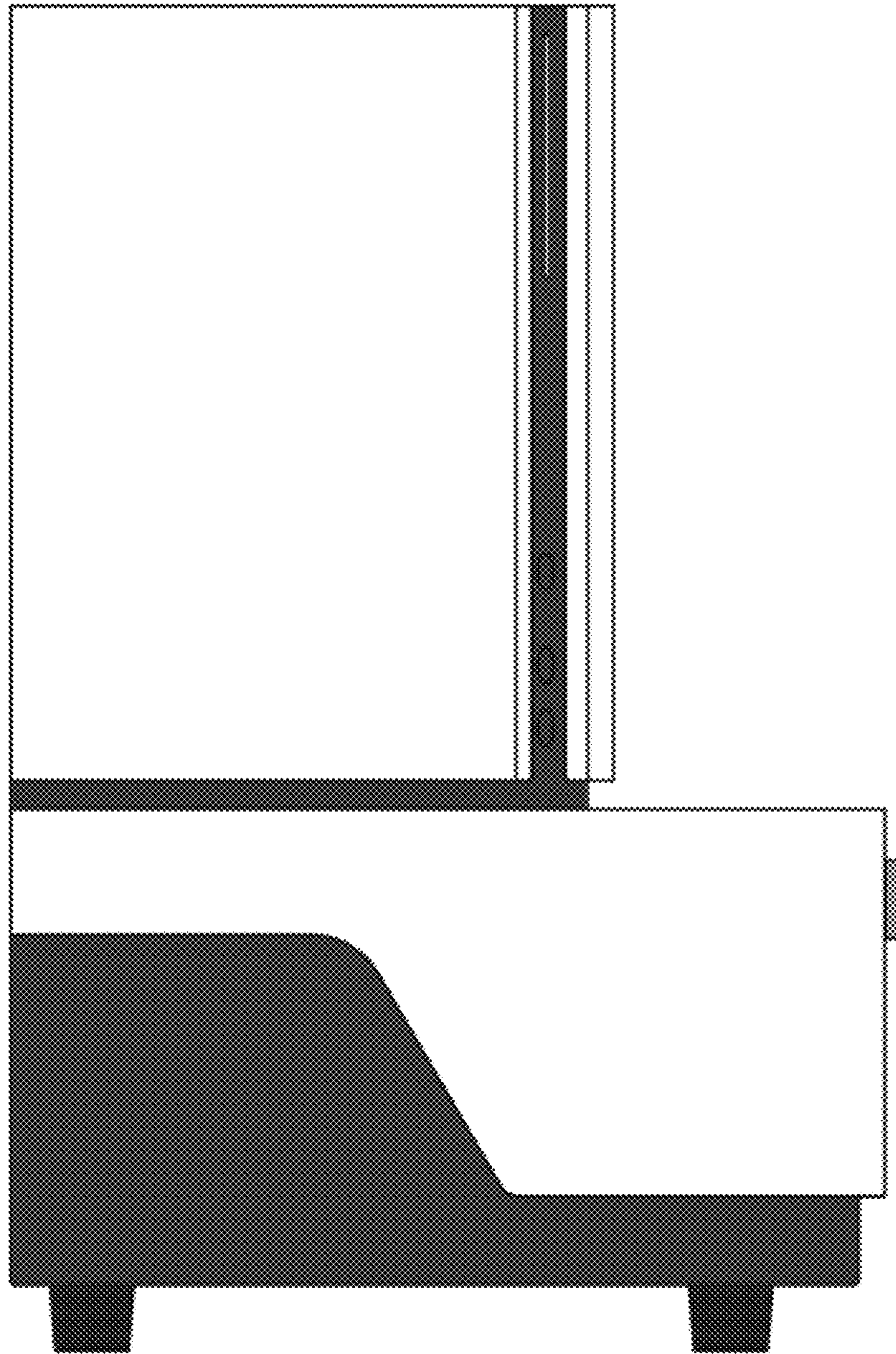


FIG. 5

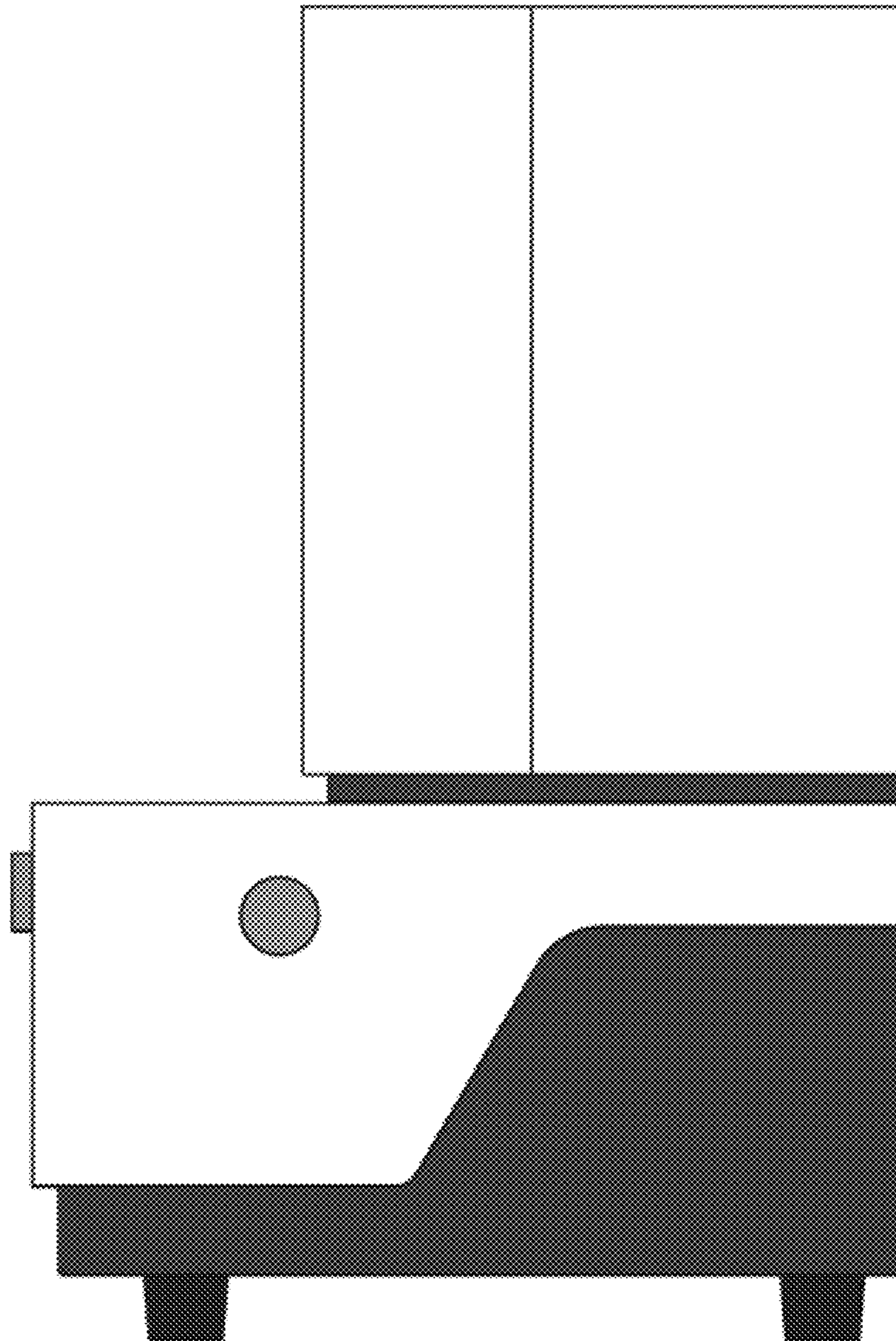


FIG. 6

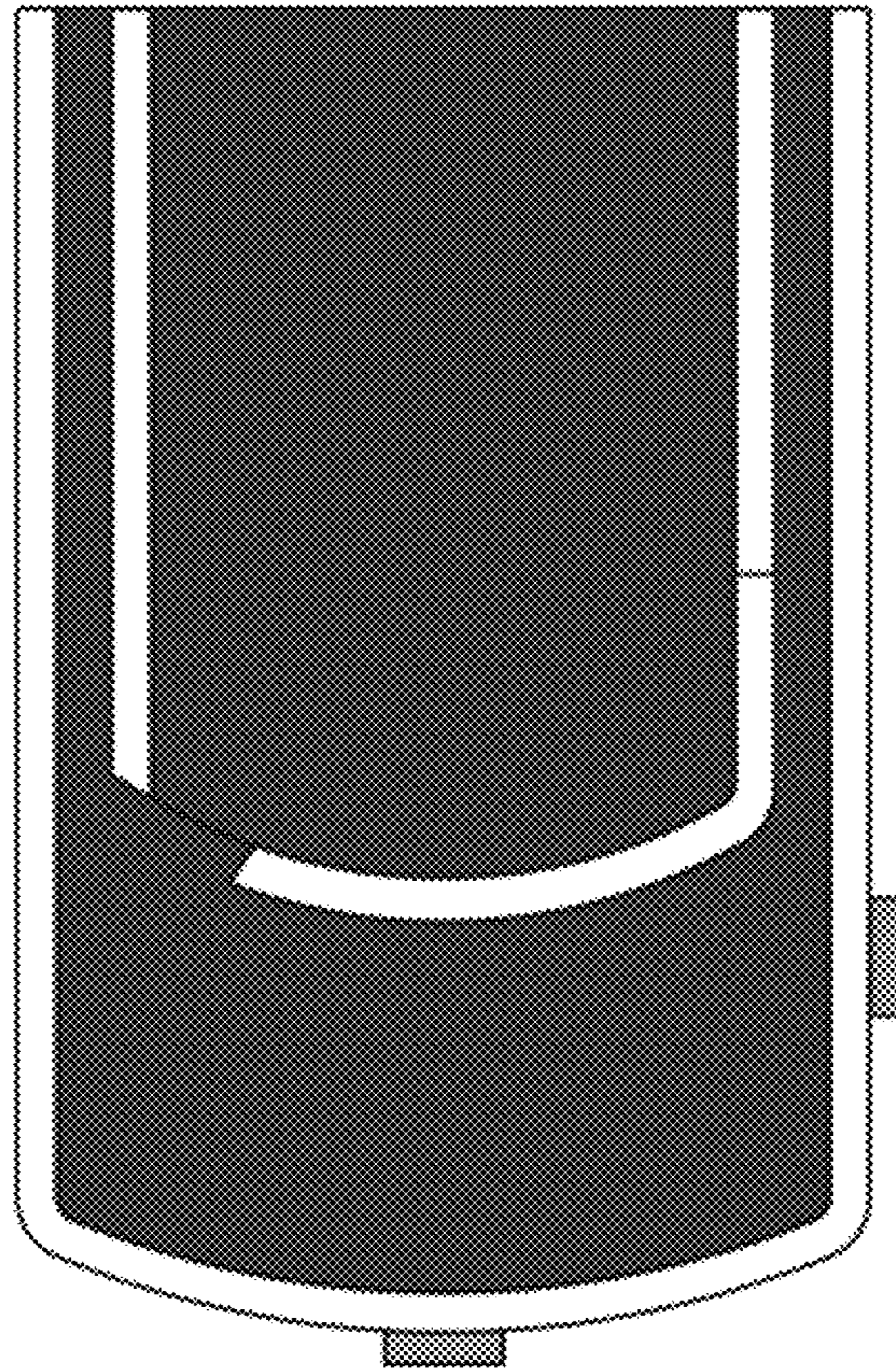


FIG. 7



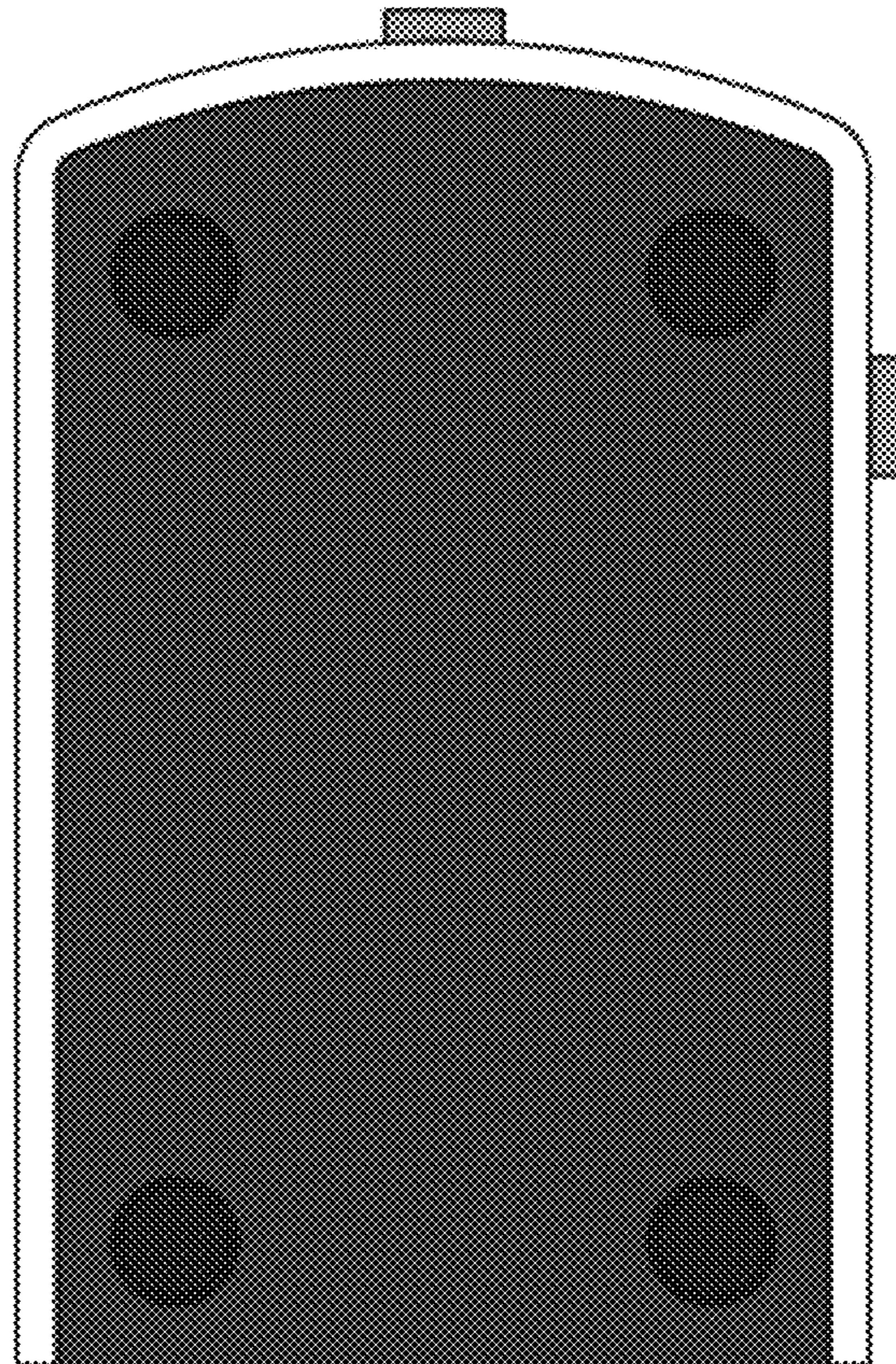


FIG. 8