



US00D973740S

(12) **United States Design Patent**
Andersson et al.

(10) **Patent No.:** **US D973,740 S**
(45) **Date of Patent:** **** Dec. 27, 2022**

(54) **GEAR**
(71) Applicant: **Flender GmbH**, Bocholt (DE)
(72) Inventors: **Jan Andersson**, Erlangen (DE); **Oliver Bachler**, Bocholt (DE); **Volker Düvel**, Bocholt (DE); **Stephan Hühne**, Wilhermsdorf (DE); **Lucas Paus**, Rhede (DE); **Christoph Schmitz**, Bocholt (DE); **Dirk Schroer**, Rhede (DE); **Matthias Weiss**, Bocholt (DE)

D592,107 S * 5/2009 Clarke D12/123
8,057,337 B2 * 11/2011 Clarke F16H 7/023
474/152
D674,827 S * 1/2013 Andersson D15/148
D674,828 S * 1/2013 Andersson D15/148
D674,829 S * 1/2013 Andersson D15/148
D677,293 S * 3/2013 Andersson D15/148
9,222,568 B2 * 12/2015 Schroedl F16H 55/44
D801,925 S * 11/2017 Andersson D13/112
10,309,516 B2 * 6/2019 Camminadi F03D 17/00
D873,318 S * 1/2020 Andersson D15/148
D931,350 S * 9/2021 Andersson D15/148

* cited by examiner

(73) Assignee: **FLENDER GMBH**, Bocholt (DE)

(**) Term: **15 Years**

Primary Examiner — Michael C Stout

Assistant Examiner — Fritzgerald L Butac

(21) Appl. No.: **29/730,817**

(74) *Attorney, Agent, or Firm* — Henry M. Feiereisen LLC

(22) Filed: **Apr. 8, 2020**

(30) **Foreign Application Priority Data**

Oct. 9, 2019 (EM) 007003181

(51) **LOC (13) Cl.** **15-99**

(52) **U.S. Cl.**
USPC **D15/148**

(58) **Field of Classification Search**
USPC D6/330, 356, 580; D8/360; D12/1, 7, D12/111, 112, 114, 123, 127, 400; D15/5, 28, 148, 149; D34/29; D13/112, D13/122, 184, 199; D23/370
CPC H01R 39/04; H01R 43/08; H02K 13/006; H01M 2/30

See application file for complete search history.

(56) **References Cited**

U.S. PATENT DOCUMENTS

D544,894 S * 6/2007 Clarke D12/123
D545,333 S * 6/2007 Clarke D12/123

(57) **CLAIM**

The ornamental design for a gear, as shown and described.

DESCRIPTION

FIG. 1 is a front view of a gear, showing our new design;
FIG. 2 is a rear view thereof;
FIG. 3 is a top view thereof;
FIG. 4 is a bottom view thereof;
FIG. 5 is a right side view thereof;
FIG. 6 is a left side view thereof; and,
FIG. 7 is a top, front and right side perspective view thereof.
The broken lines show portions of a gear which form no part of the claimed design.

1 Claim, 7 Drawing Sheets

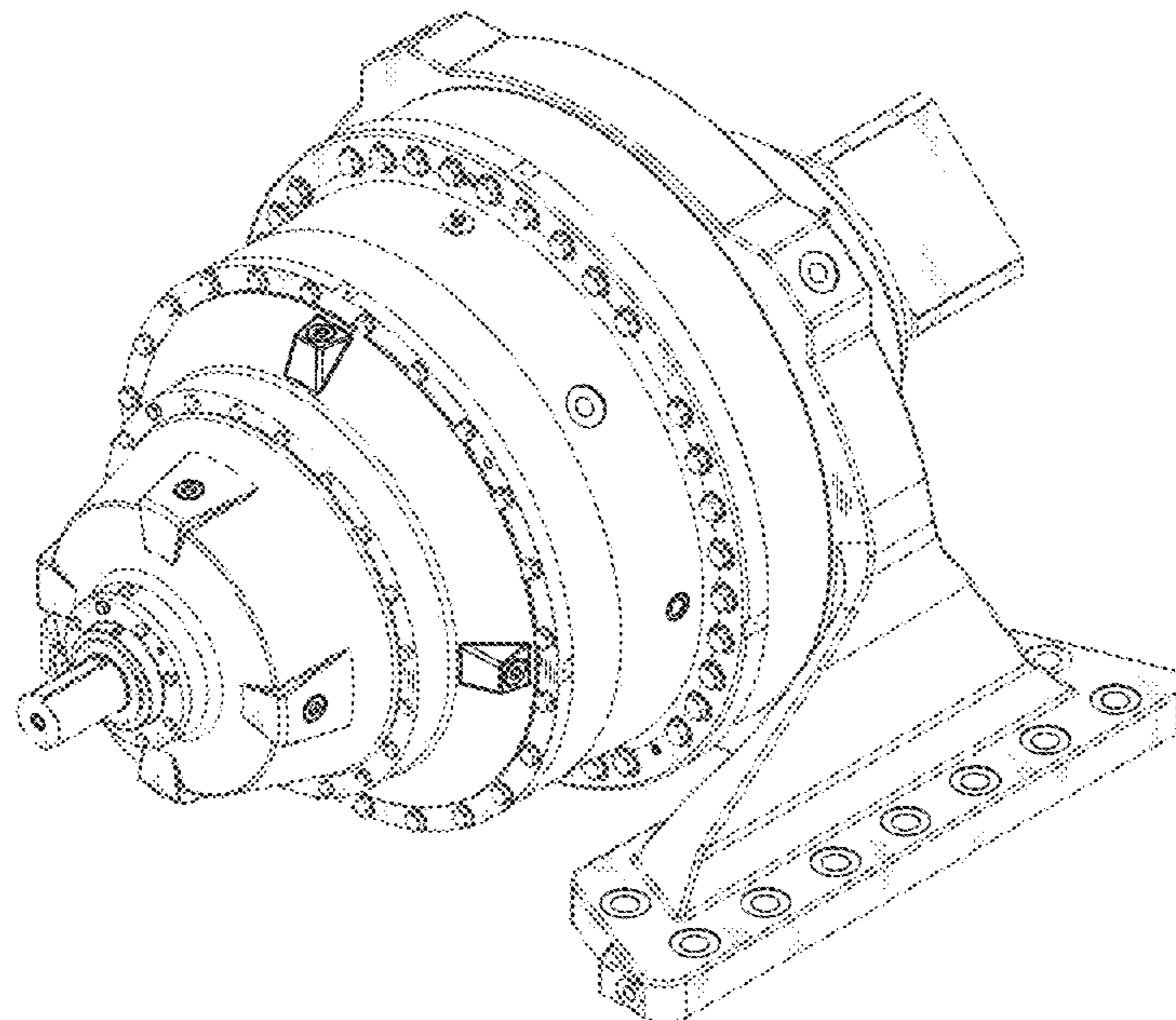


FIG 1

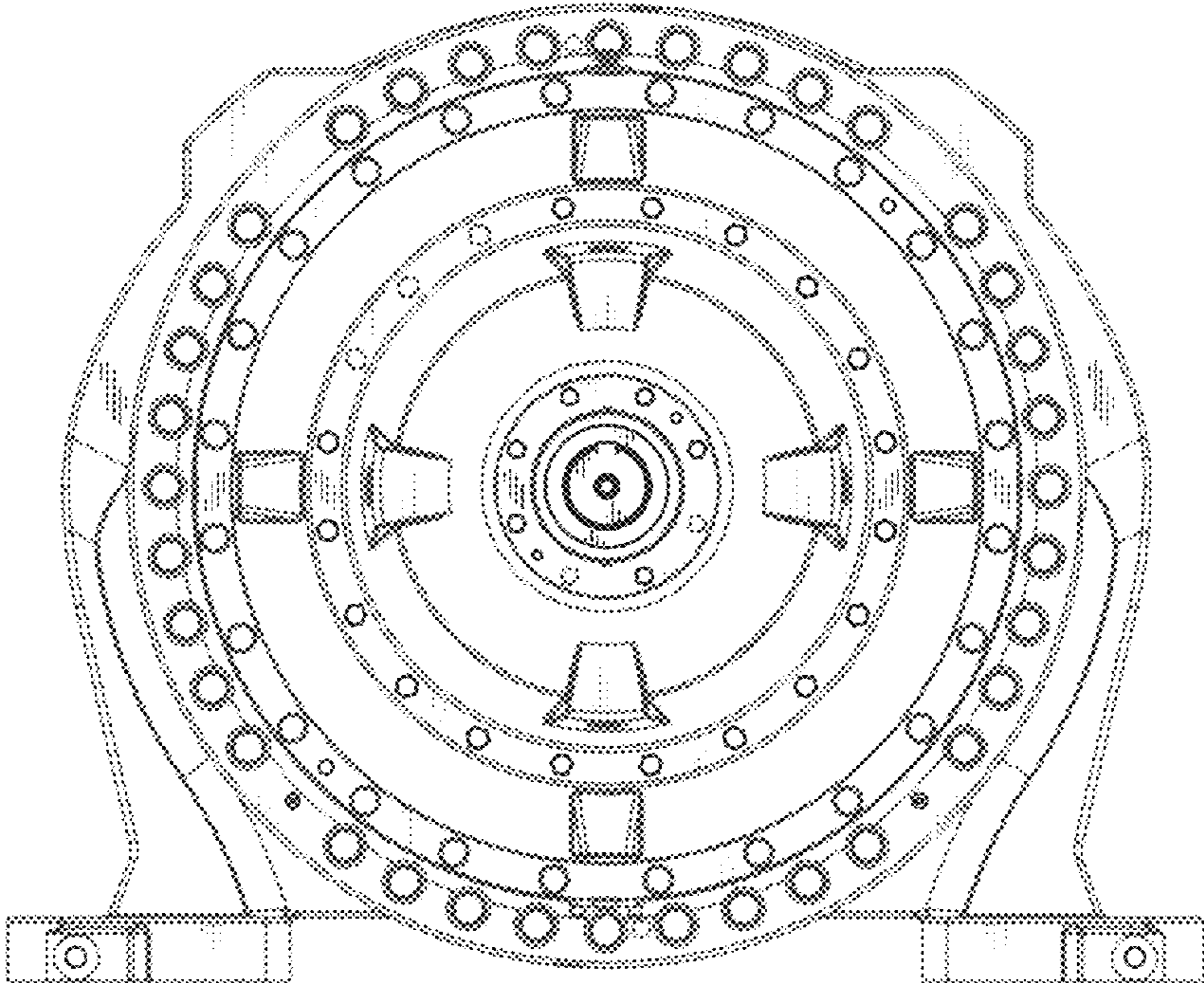


FIG. 2

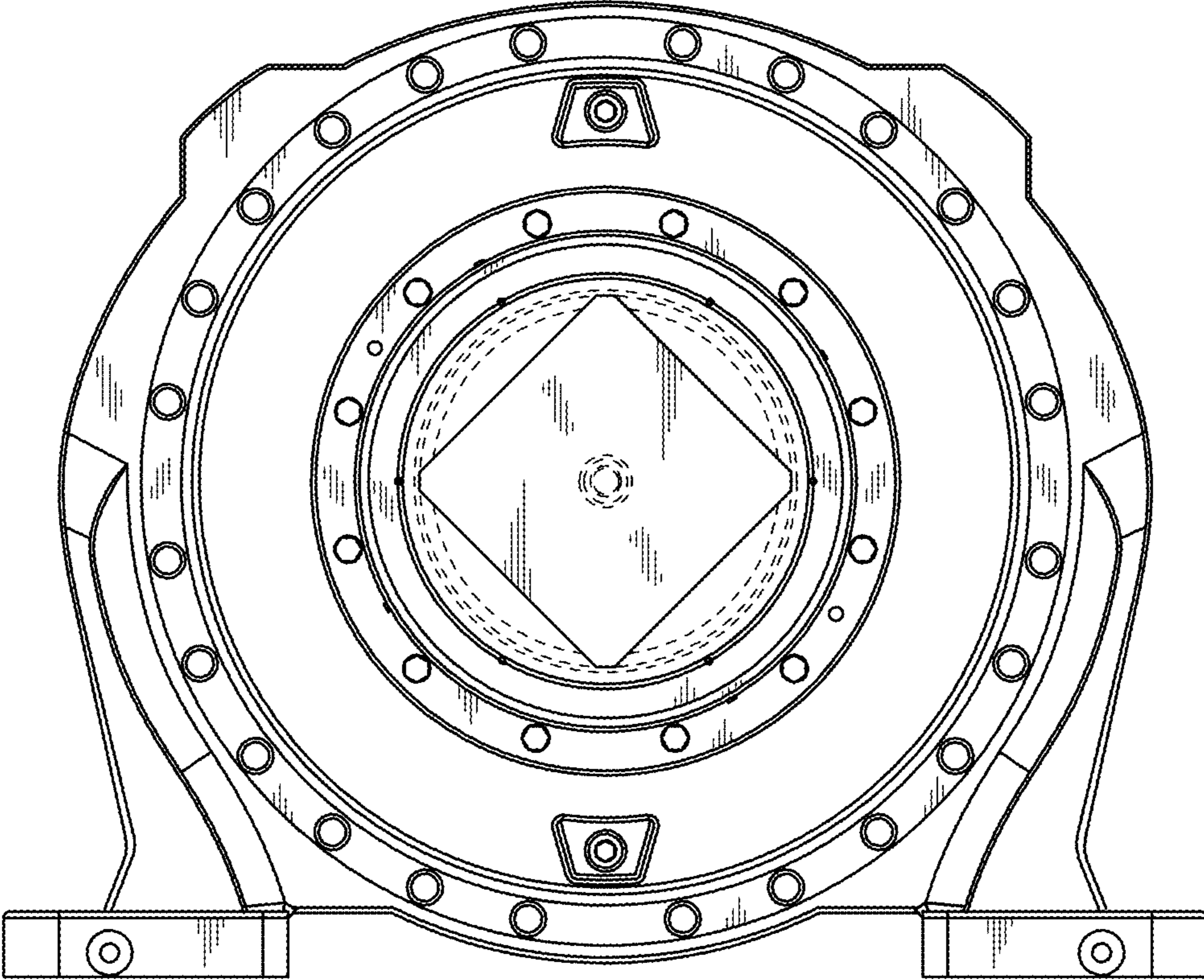


FIG 3

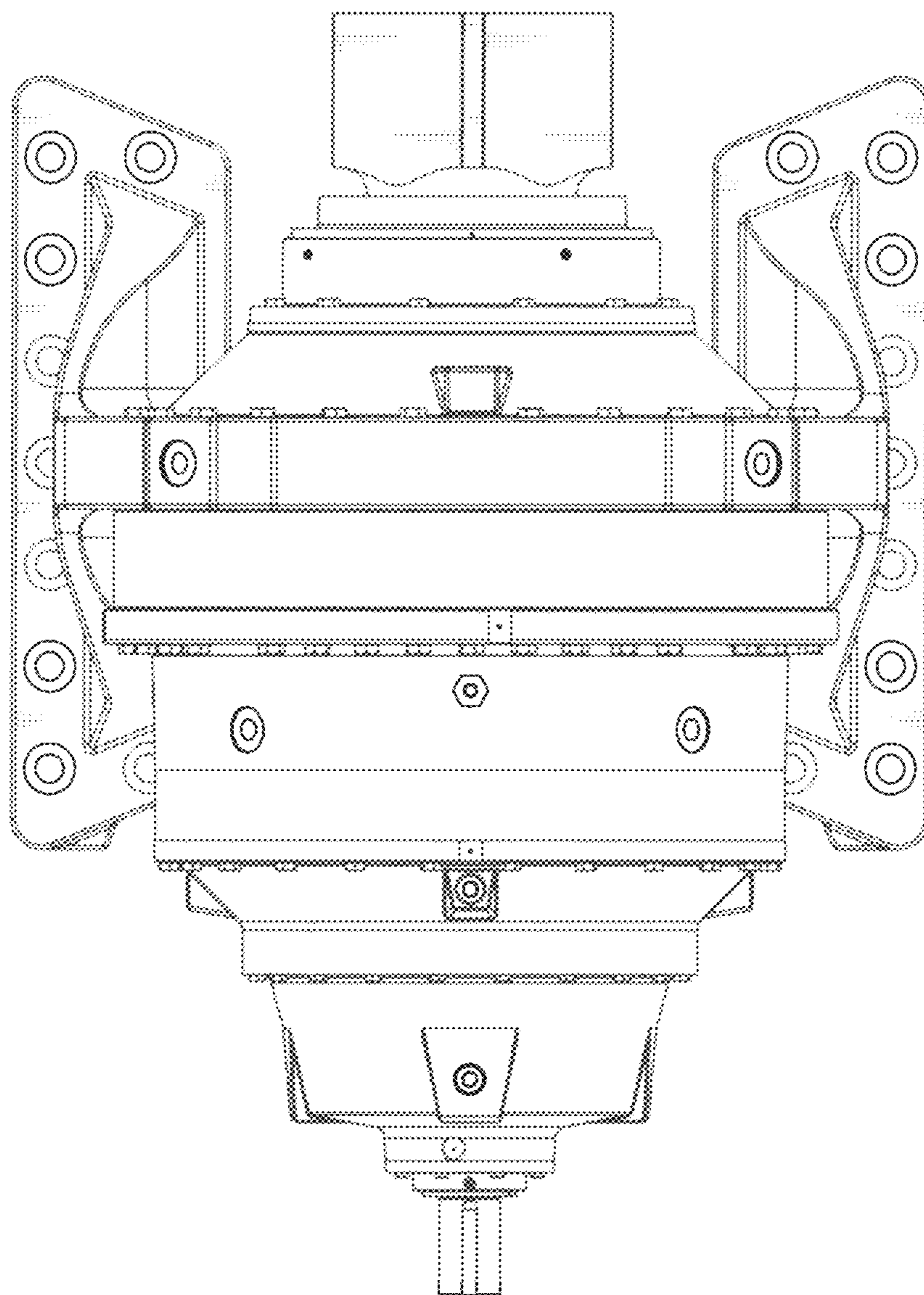


FIG. 4

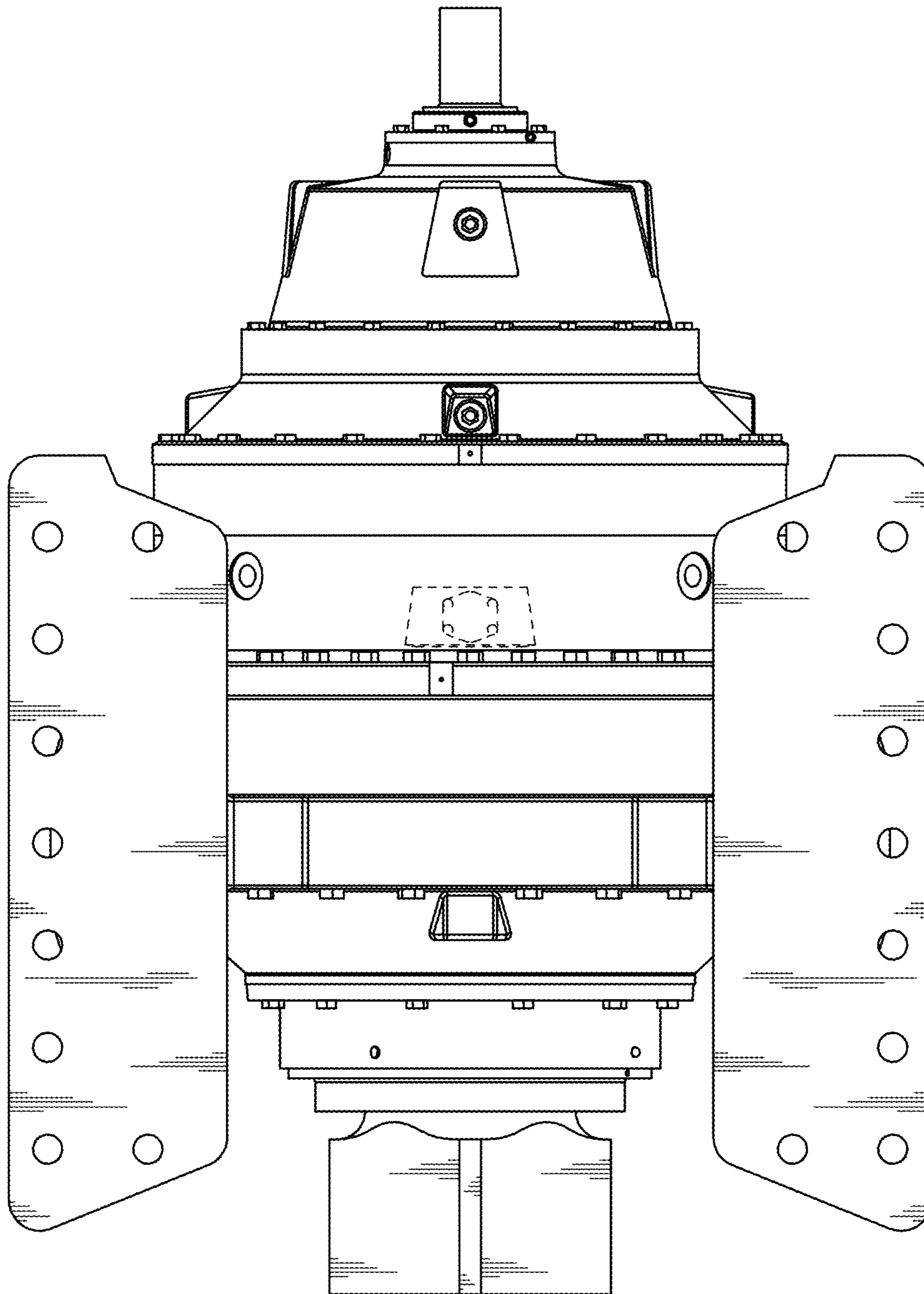


FIG 5

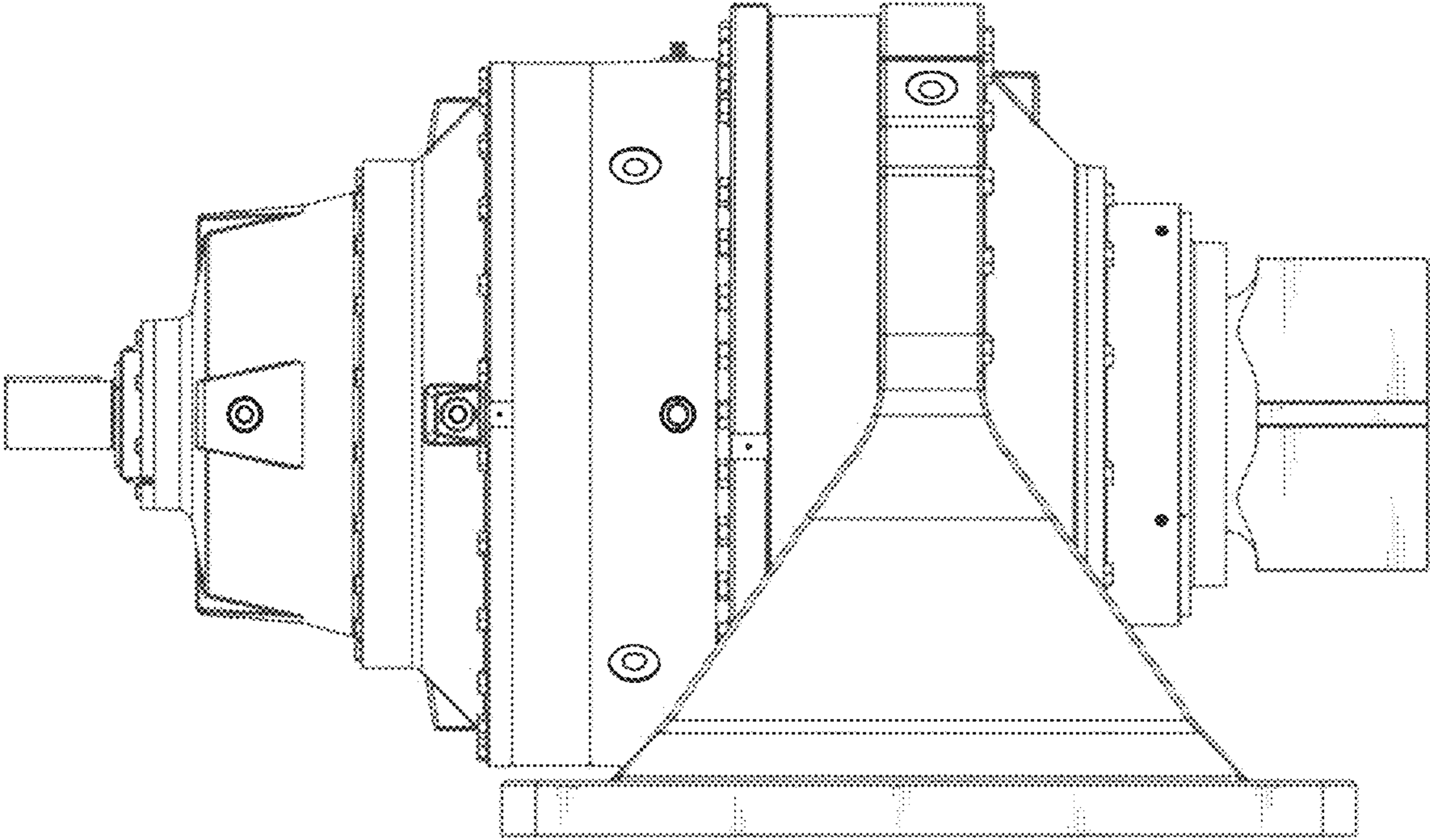


FIG 6

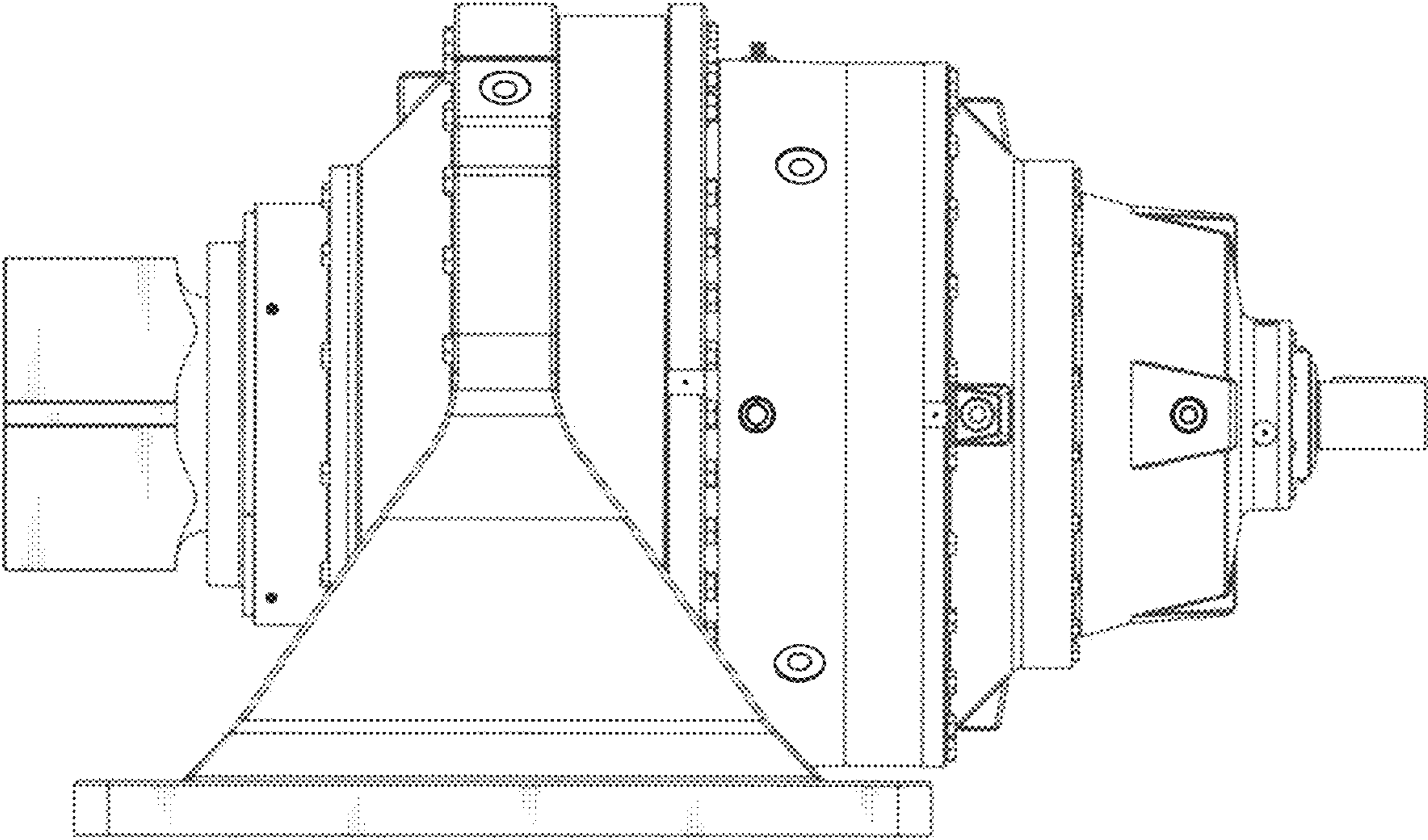


FIG 7

