



US00D973734S

(12) **United States Design Patent**
Smith

(10) **Patent No.:** **US D973,734 S**

(45) **Date of Patent:** **** Dec. 27, 2022**

(54) **BLIND SHEAR**

(71) Applicant: **NEXUS ENERGY TECHNOLOGIES INC.**, Red Deer County (CA)

(72) Inventor: **Ryan Smith**, Red Deer (CA)

(73) Assignee: **NXL TECHNOLOGIES INC.**, Edmonton (CA)

(**) Term: **15 Years**

(21) Appl. No.: **29/700,833**

(22) Filed: **Aug. 6, 2019**

(51) **LOC (13) Cl.** **15-09**

(52) **U.S. Cl.**
USPC **D15/139**

(58) **Field of Classification Search**
USPC D8/382, 32, 98; D23/233, 235, 249;
D15/21, 127, 129, 131, 132, 138, 143,
D15/123, 139
CPC F16B 2/02; F16B 2/10; F16B 2/20; F16B
2/205; F16B 2/22; F16B 2/24; E21B
33/06; E21B 33/061; E21B 33/062; E21B
33/063
See application file for complete search history.

(56) **References Cited**

U.S. PATENT DOCUMENTS

3,554,278	A *	1/1971	Reistle, III	E21B 33/064 166/85.1
4,347,724	A *	9/1982	Brown	B23D 23/02 72/203
4,558,842	A *	12/1985	Peil	E21B 33/062 285/305
4,646,825	A *	3/1987	Van Winkle	E21B 33/063 166/55
4,923,005	A *	5/1990	Laky	E21B 33/076 166/85.3
6,173,770	B1 *	1/2001	Morrill	E21B 33/063 166/85.4

D509,519	S *	9/2005	Sollami	D15/139
D510,586	S *	10/2005	Sollami	D15/139
D512,083	S *	11/2005	Sollami	D15/139
D513,273	S *	12/2005	Sollami	D15/139
D514,144	S *	1/2006	Sollami	D15/139
D514,145	S *	1/2006	Sollami	D15/139
D515,115	S *	2/2006	Sollami	D15/139

(Continued)

Primary Examiner — Sheryl Lane

Assistant Examiner — Ieisha N Price

(74) *Attorney, Agent, or Firm* — Sander R. Gelsing

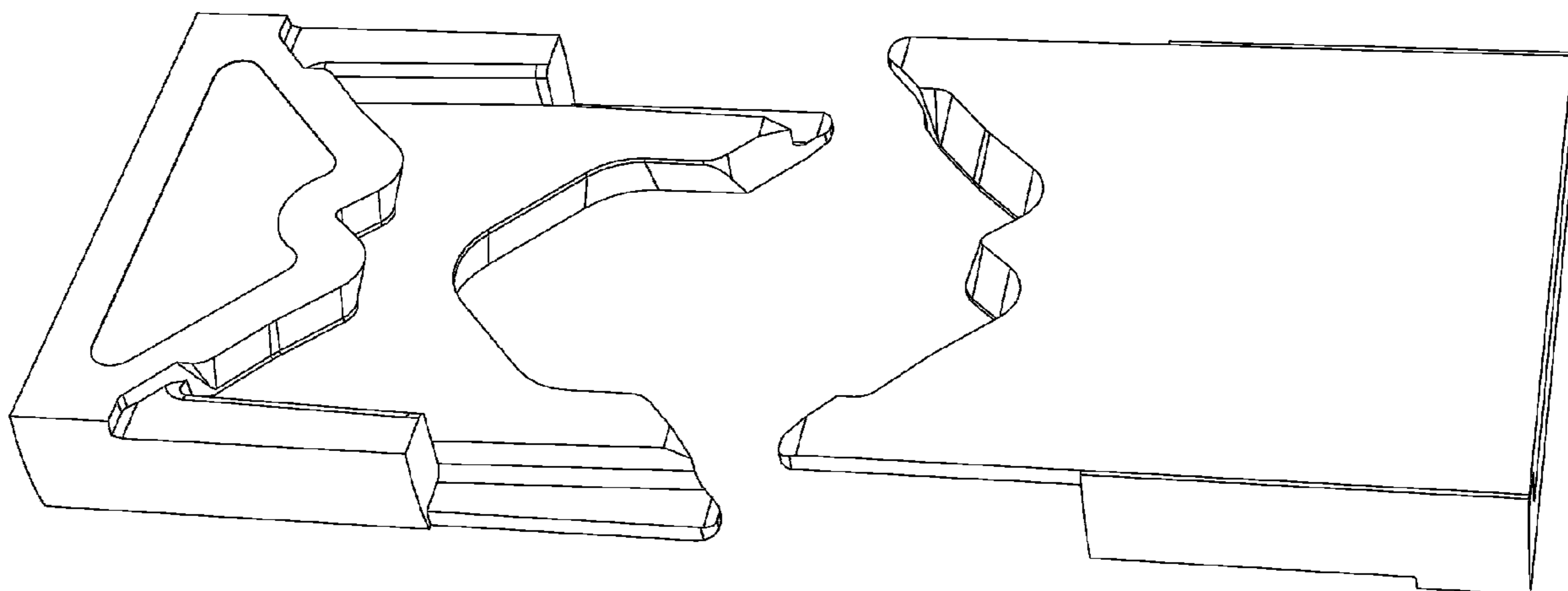
(57) **CLAIM**

The ornamental design for a blind shear, as shown and described.

DESCRIPTION

FIG. 1 is a top perspective view of the blind shear in an open configuration;
 FIG. 2 is a bottom perspective view thereof in the open configuration;
 FIG. 3 is an exploded top perspective view thereof;
 FIG. 4 is an exploded bottom perspective view thereof;
 FIG. 5 is a second exploded bottom perspective view thereof;
 FIG. 6 is a second exploded top perspective view thereof;
 FIG. 7 is an enlarged front view thereof in the open configuration;
 FIG. 8 is an enlarged rear view thereof in the open configuration;
 FIG. 9 is a right view thereof in the open configuration;
 FIG. 10 is a left view thereof in the open configuration;
 FIG. 11 is a top view thereof in the open configuration;
 FIG. 12 is a bottom view thereof in the open configuration;
 FIG. 13 is an enlarged top perspective view thereof in a closed configuration; and,
 FIG. 14 is an enlarged bottom perspective view thereof in the closed configuration.

1 Claim, 7 Drawing Sheets



(56)

References Cited

U.S. PATENT DOCUMENTS

8,720,565 B2 *	5/2014	Springett	E21B 33/063	166/85.4	2012/0318493 A1 *	12/2012	Carbaugh	E21B 33/063	166/55
D733,544 S *	7/2015	Baur	D8/382		2013/0153204 A1 *	6/2013	Carbaugh	E21B 33/063	166/85.4
D905,286 S *	12/2020	Hay, III	D25/123		2014/0048245 A1 *	2/2014	Yendell	E21B 33/063	166/85.4
D915,556 S *	4/2021	Hilburn	D23/249		2015/0232264 A1 *	8/2015	Pansegrouw	B65D 88/1668	220/640
11,053,766 B2 *	7/2021	Baker	E21B 29/02		2015/0354610 A1 *	12/2015	McClure	F16B 2/185	24/649
2006/0113501 A1 *	6/2006	Isaacks	E21B 33/063	251/1.1	2015/0361755 A1 *	12/2015	Holland, Jr.	E21B 33/062	166/55
2007/0246215 A1 *	10/2007	Springett	E21B 33/063	166/85.4	2016/0097250 A1 *	4/2016	Bleck	E21B 33/061	166/85.4
2011/0226476 A1 *	9/2011	Springett	E21B 33/063	251/1.1	2016/0258238 A1 *	9/2016	Vargas	E21B 33/063	
2012/0043068 A1 *	2/2012	Jahnke	E21B 33/063	166/55.1	2017/0130550 A1 *	5/2017	Carbaugh	E21B 33/064	
2012/0067563 A1 *	3/2012	Jellison	E21B 17/042	427/205	2018/0135376 A1 *	5/2018	Norbom	E21B 33/063	
2012/0073816 A1 *	3/2012	Springett	E21B 33/062	251/1.3	2020/0332617 A1 *	10/2020	Nault	E21B 33/063	
2012/0193087 A1 *	8/2012	Hall	B23D 21/006	166/85.4	2020/0370388 A1 *	11/2020	Salem Saleh Alameri	E21B 33/06	
2012/0193556 A1 *	8/2012	Yadav	E21B 33/063	251/1.3	2021/0156216 A1 *	5/2021	Strankman	E21B 33/063	
						2021/0156217 A1 *	5/2021	Araujo	E21B 33/063	
						2021/0340832 A1 *	11/2021	Almalki	E21B 33/063	
						2022/0090462 A1 *	3/2022	Hughes	E21B 33/062	
						2022/0098952 A1 *	3/2022	Ingram	E21B 33/063	

* cited by examiner

Fig. 1

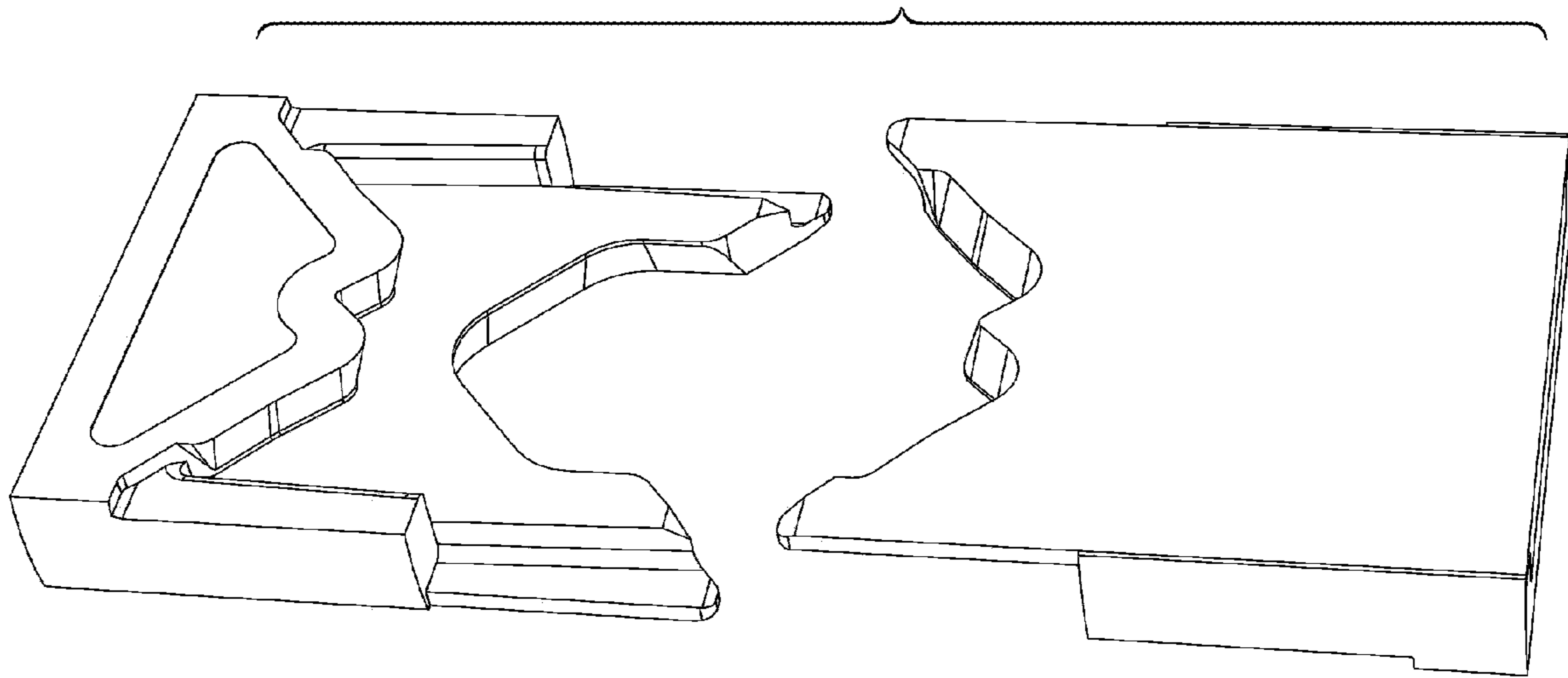
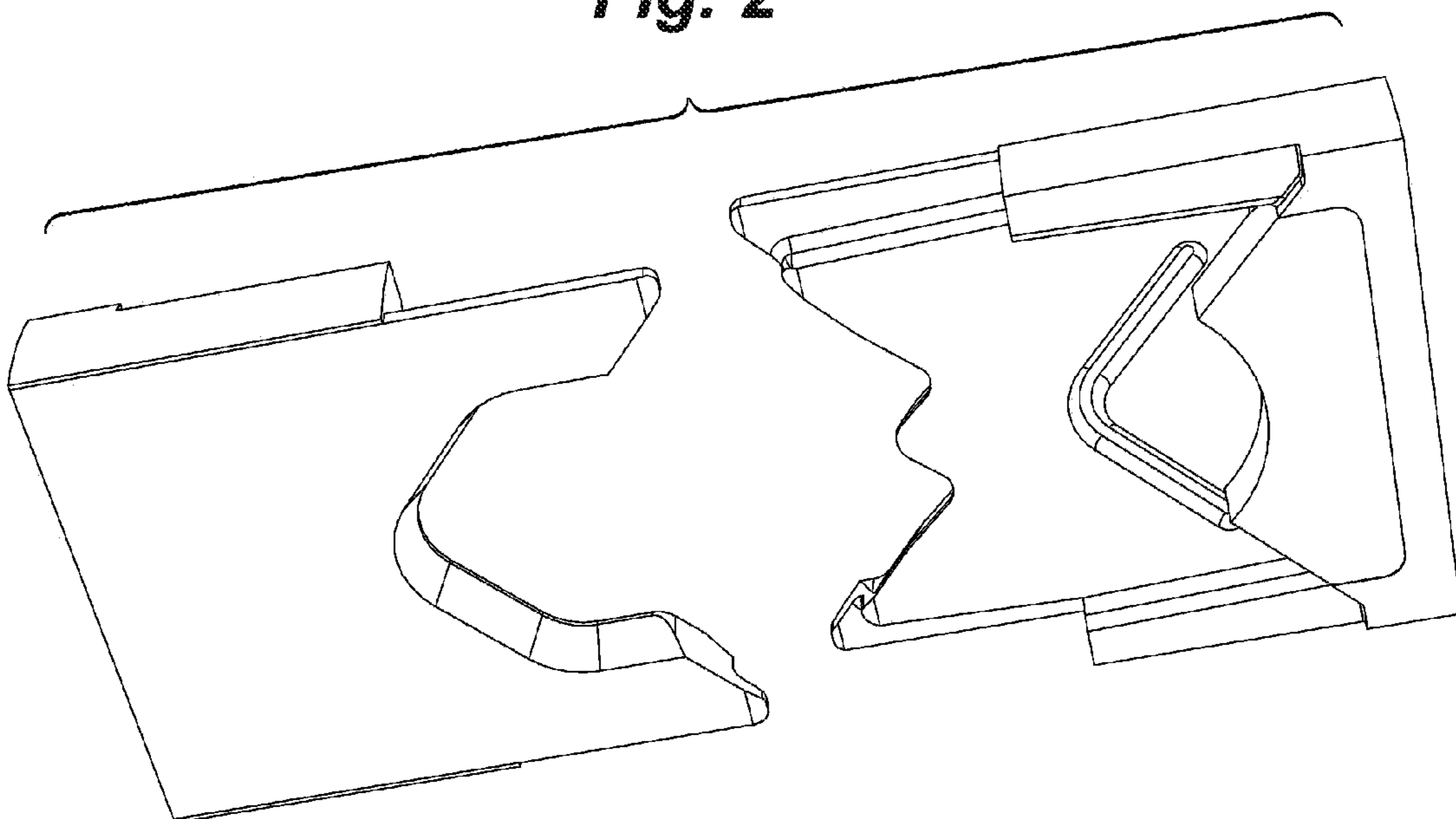


Fig. 2



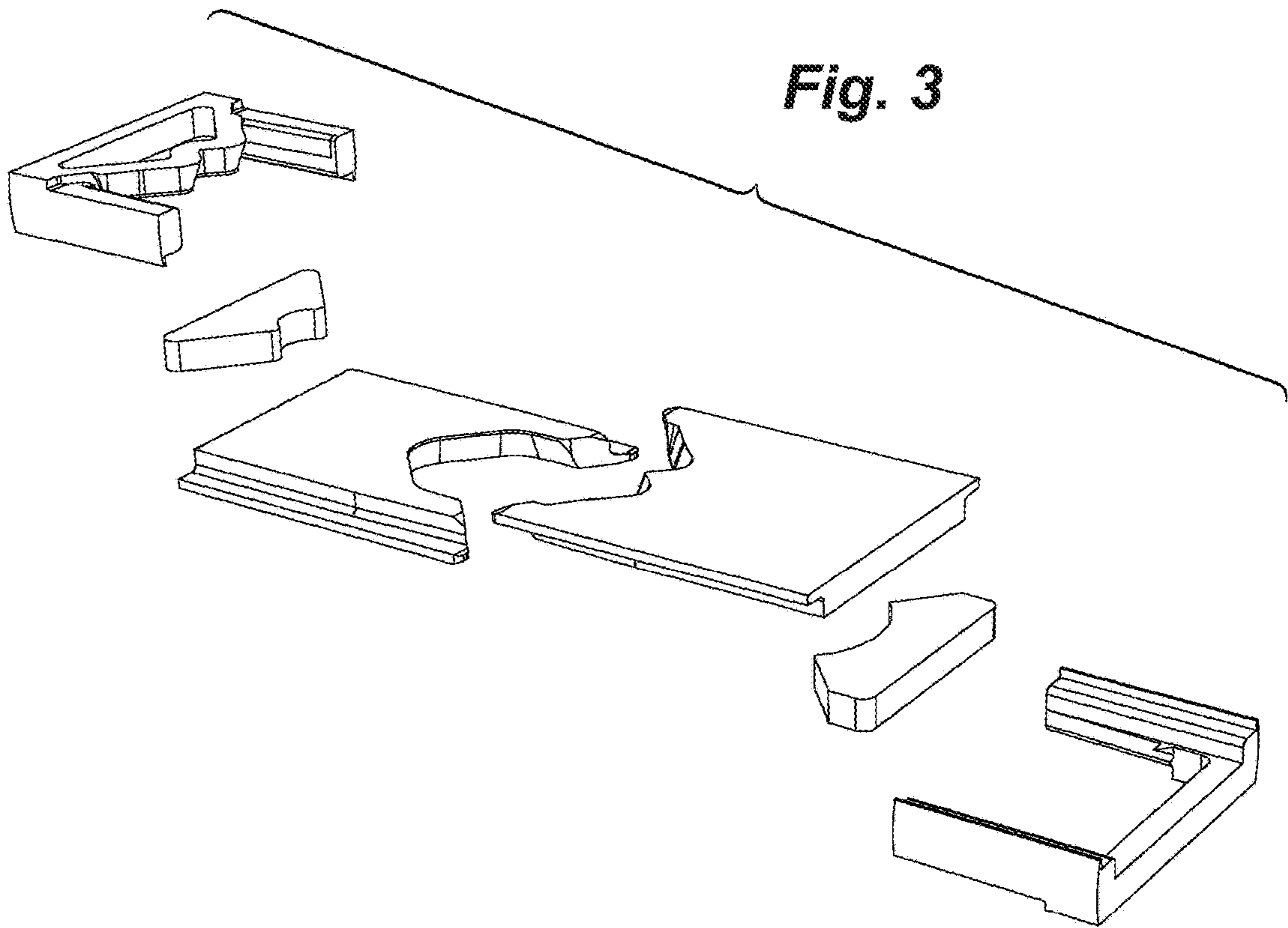


Fig. 4

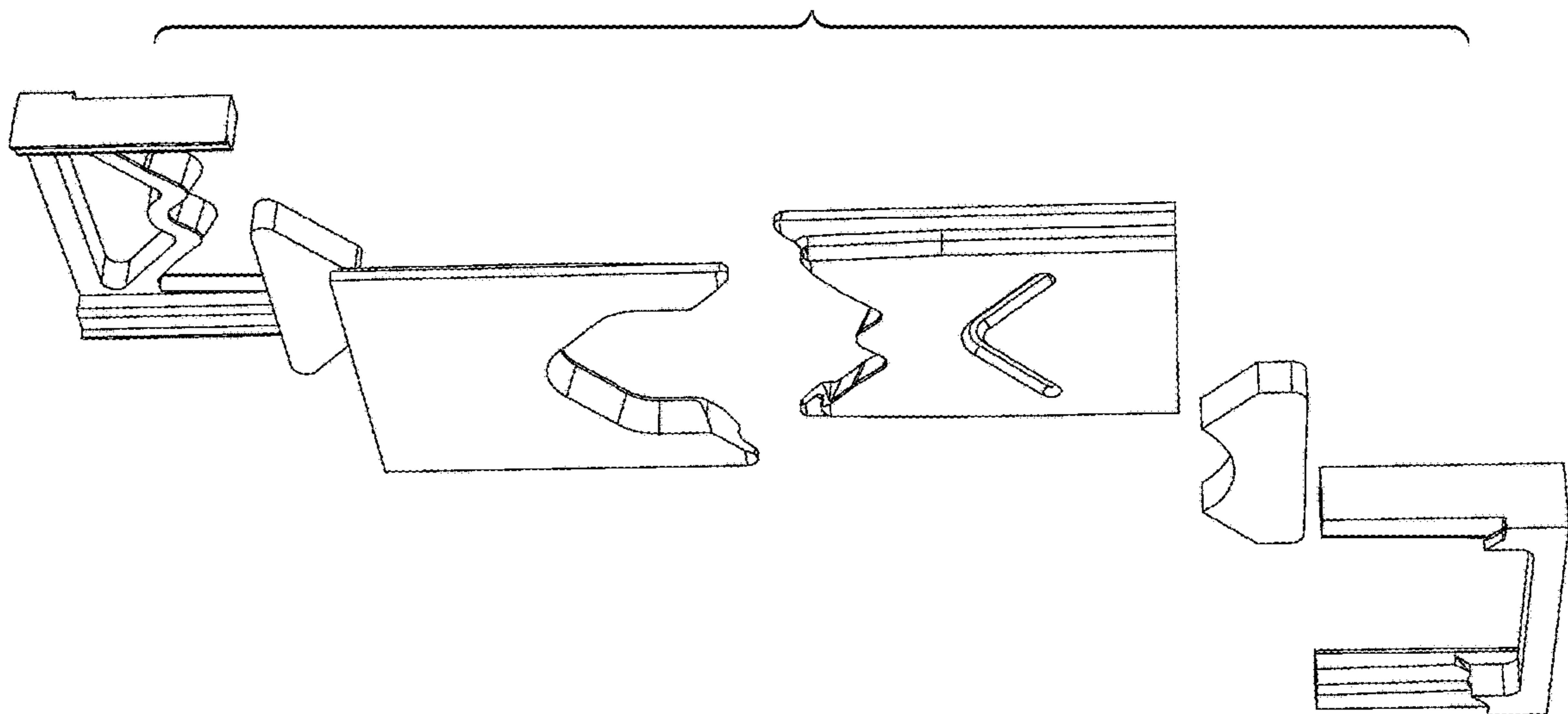


Fig. 5

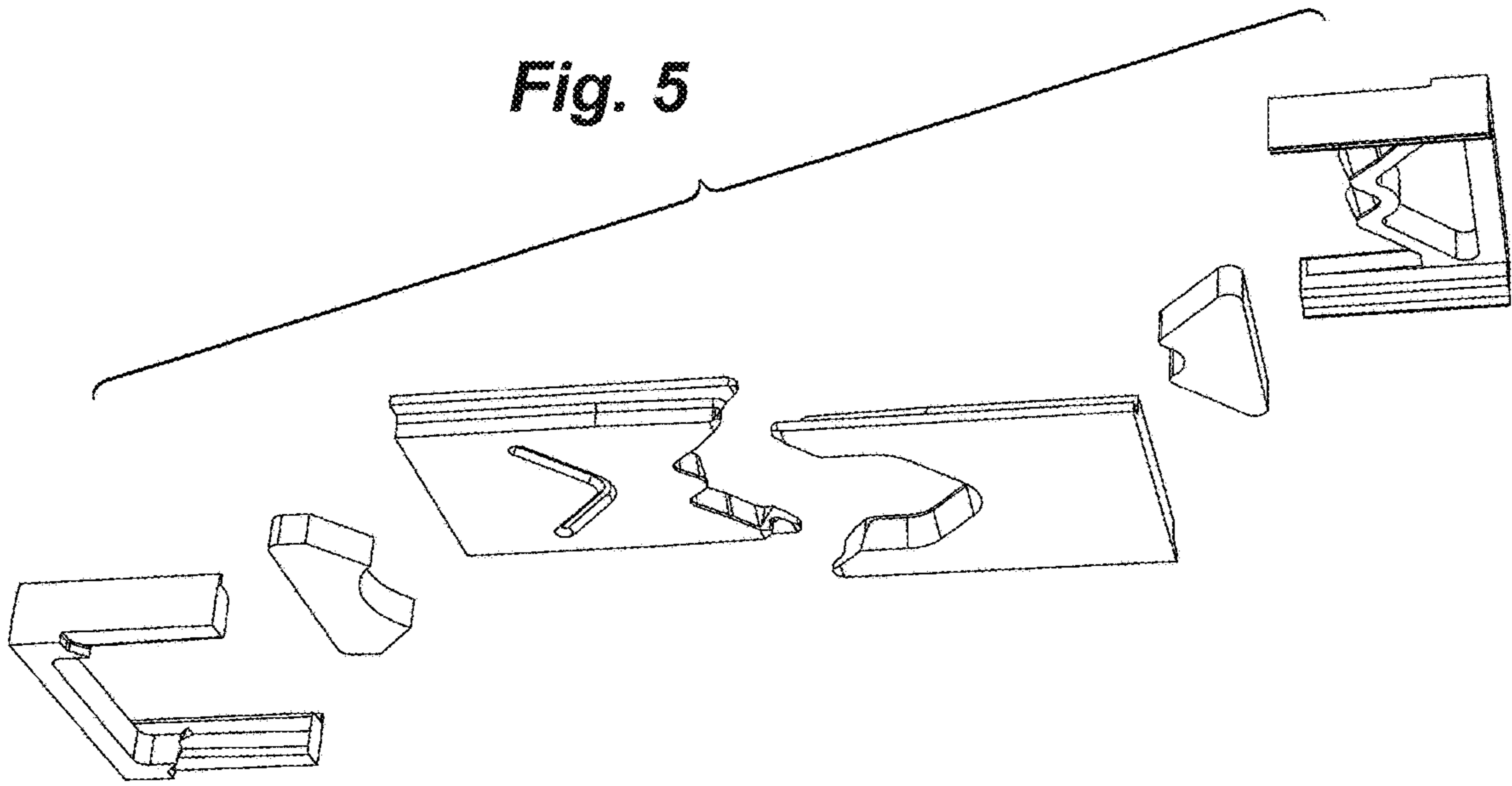


Fig. 6

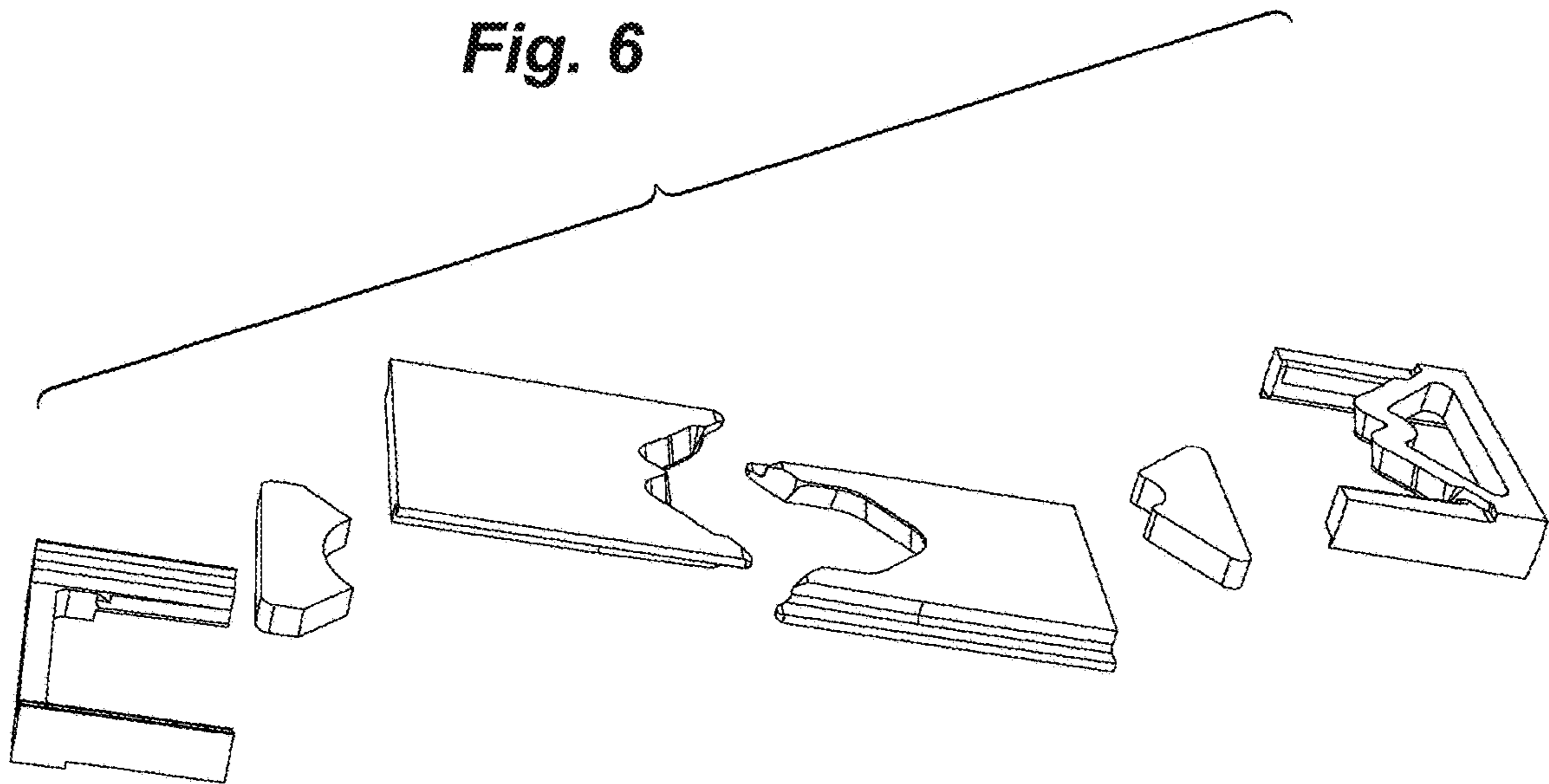


Fig. 7



Fig. 8



Fig. 9

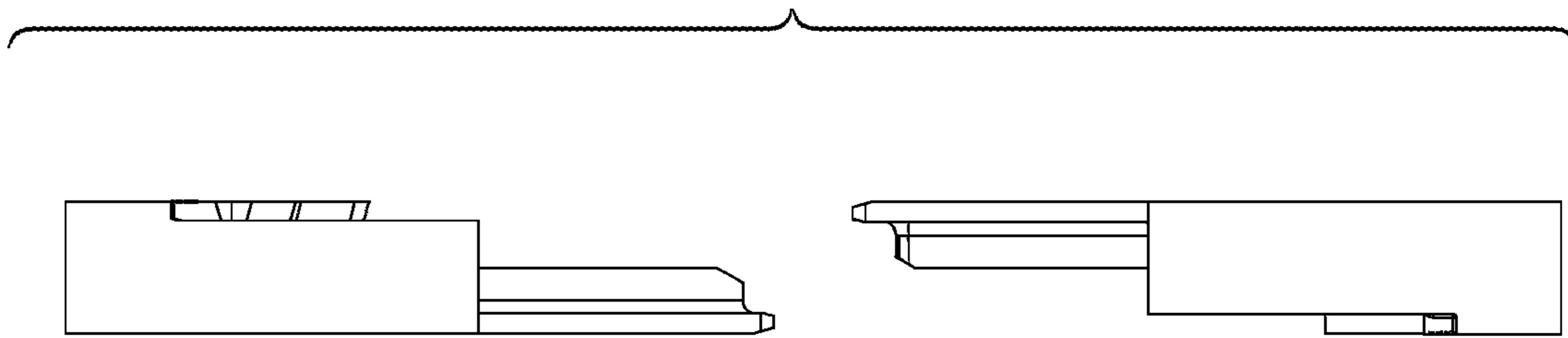


Fig. 10

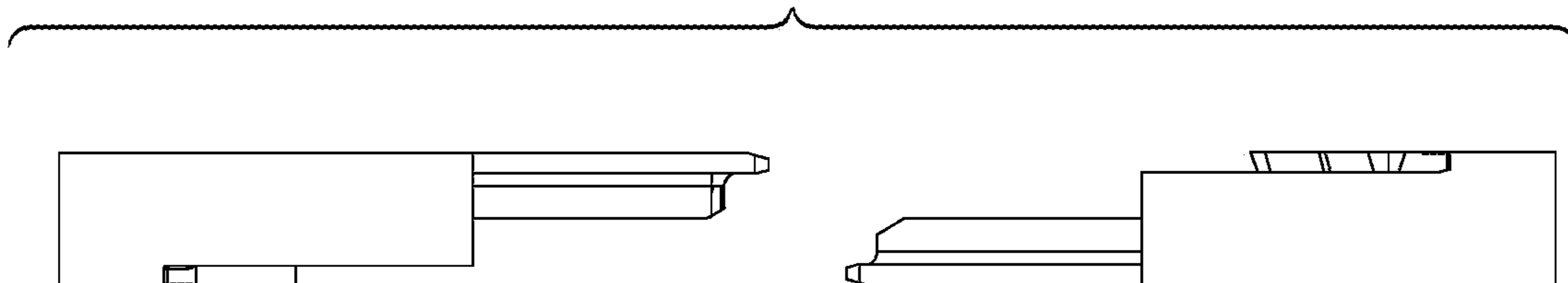


Fig. 11

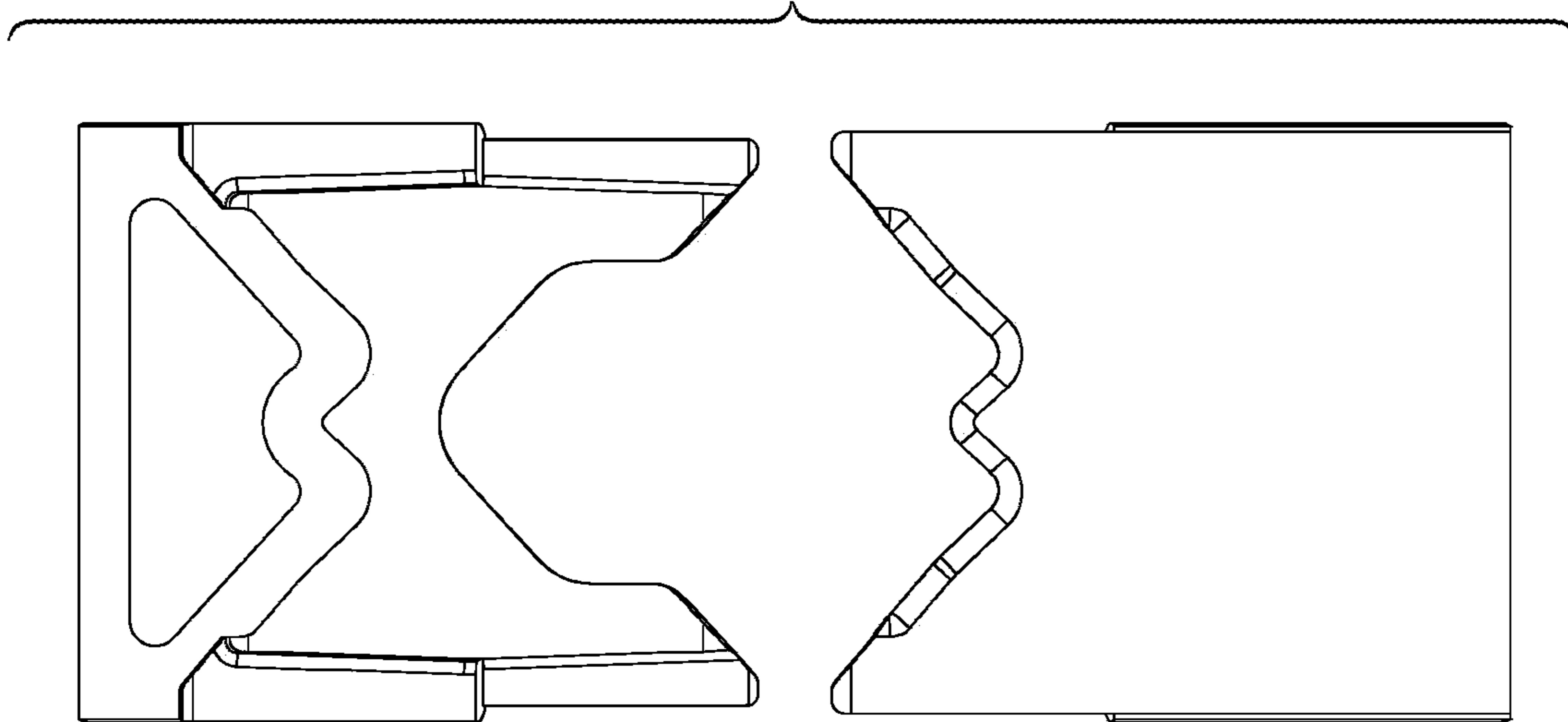


Fig. 12

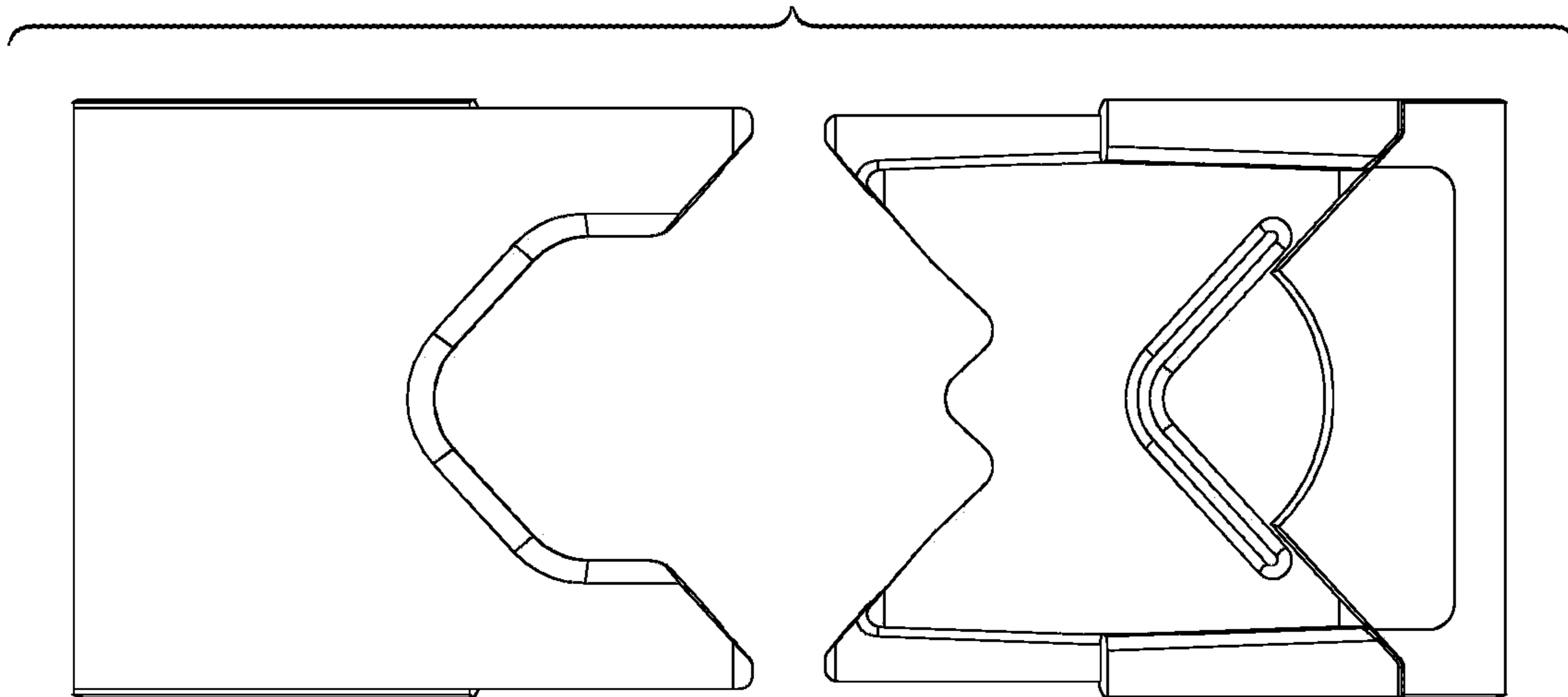


Fig. 13

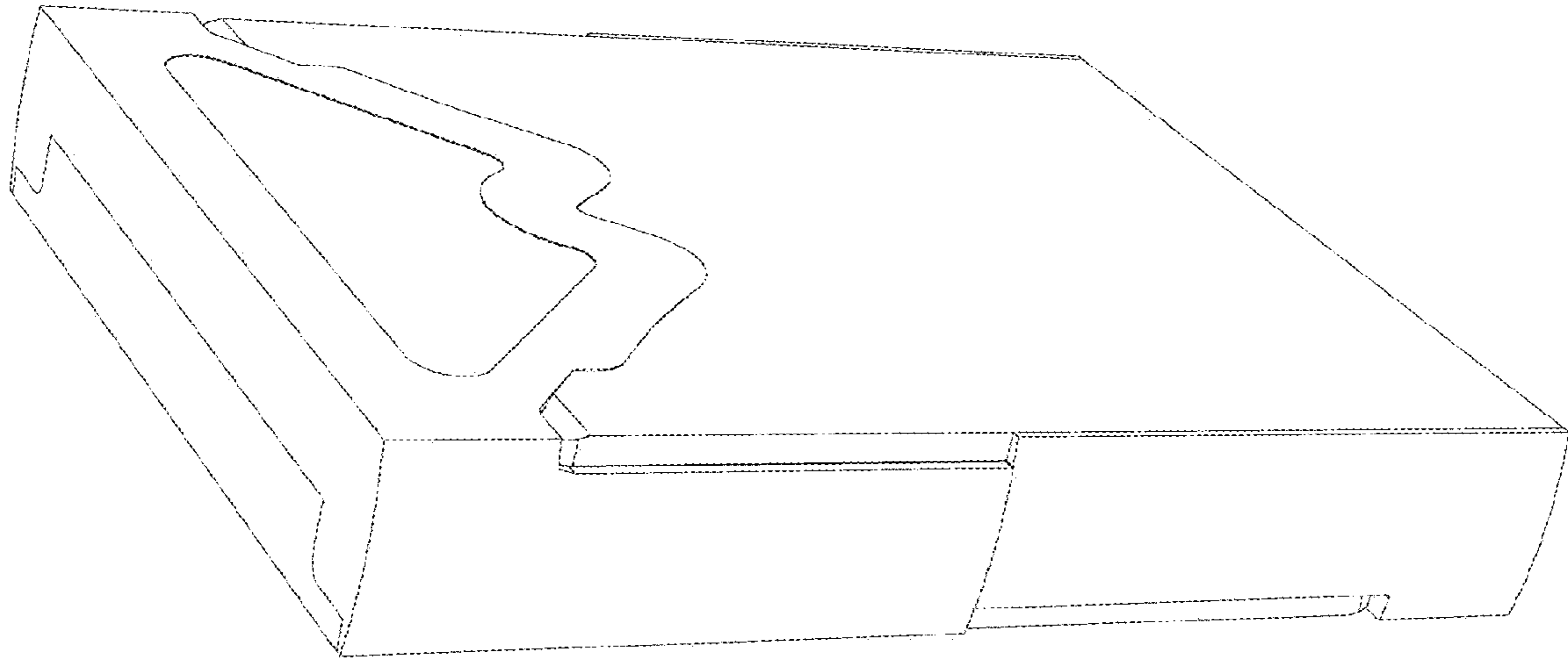


Fig. 14

