



US00D973732S

(12) **United States Design Patent** (10) **Patent No.:** **US D973,732 S**
Zou (45) **Date of Patent:** **** Dec. 27, 2022**

(54) **ROCK TUMBLER**
(71) Applicant: **Huimin Zou**, Shenzhen (CN)
(72) Inventor: **Huimin Zou**, Shenzhen (CN)
(73) Assignee: **Huimin Zou**, Shenzhen (CN)
(**) Term: **15 Years**
(21) Appl. No.: **29/850,701**

4,045,918 A * 9/1977 Freedman B24B 31/027
451/328
4,206,573 A * 6/1980 Hayward B24B 31/027
451/328
T101,801 I4 * 5/1982 Bierschbach 33/562
(Continued)

FOREIGN PATENT DOCUMENTS

CN 304073644 * 3/2017
CN 304073646 * 3/2017

OTHER PUBLICATIONS

National Geographic, Hobby Rock Tumbler Kit, (first available Nov. 1, 2018), Amazon.com, URL:<https://www.amazon.com/dp/B07G9MWHGJ> (Year: 2018).*

(Continued)

Primary Examiner — Calvin E Vansant
Assistant Examiner — Mark T. Philipps
(74) *Attorney, Agent, or Firm* — Nitin Kaushik

(22) Filed: **Aug. 23, 2022**
(51) **LOC (13) Cl.** **15-09**
(52) **U.S. Cl.**
USPC **D15/124**
(58) **Field of Classification Search**
USPC D15/122–125
CPC B07B 1/46; B07B 1/28; B07B 1/36; B07B
1/48; B07B 2201/04; B07B 2230/01;
B24B 31/00; B24B 31/02; B02C 17/02;
B02C 17/20; B02C 23/16
See application file for complete search history.

(57) **CLAIM**

The ornamental design for a rock tumbler, as shown and described.

(56) **References Cited**

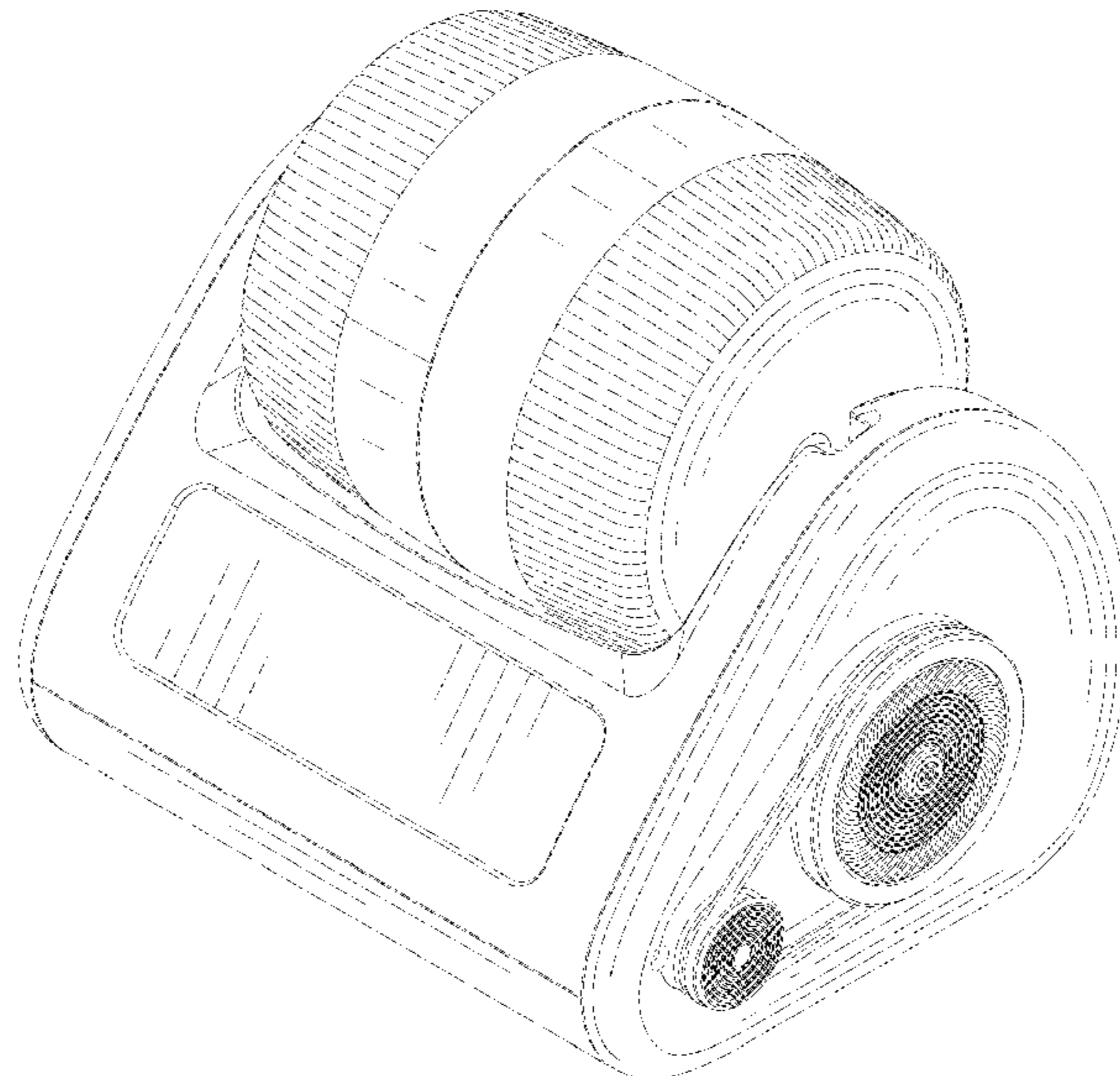
U.S. PATENT DOCUMENTS

105,711 A * 7/1870 Miller B24B 31/02
451/328
268,180 A * 11/1882 Butterfield B24B 31/02
451/328
295,867 A * 3/1884 Griffin B24B 31/02
285/190
1,508,345 A * 9/1924 Lupo, Jr. B24B 31/02
451/328
1,946,440 A * 2/1934 Herrmann B24B 31/02
366/228
2,939,455 A * 6/1960 Arnold A61H 15/0078
601/127
3,380,670 A * 4/1968 Beudin B02C 17/18
241/170
3,861,654 A * 1/1975 Singleton B24B 31/02
220/213

DESCRIPTION

FIG. 1 is a front perspective view of a rock tumbler, showing my new design;
FIG. 2 is a rear perspective view thereof;
FIG. 3 is a front view thereof;
FIG. 4 is a rear view thereof;
FIG. 5 is a left side view thereof;
FIG. 6 is a right side view thereof;
FIG. 7 is a top view thereof; and,
FIG. 8 is a bottom view thereof.
The broken lines in the drawings illustrate the portions of the rock tumbler, which form no part of the claimed design.

1 Claim, 8 Drawing Sheets



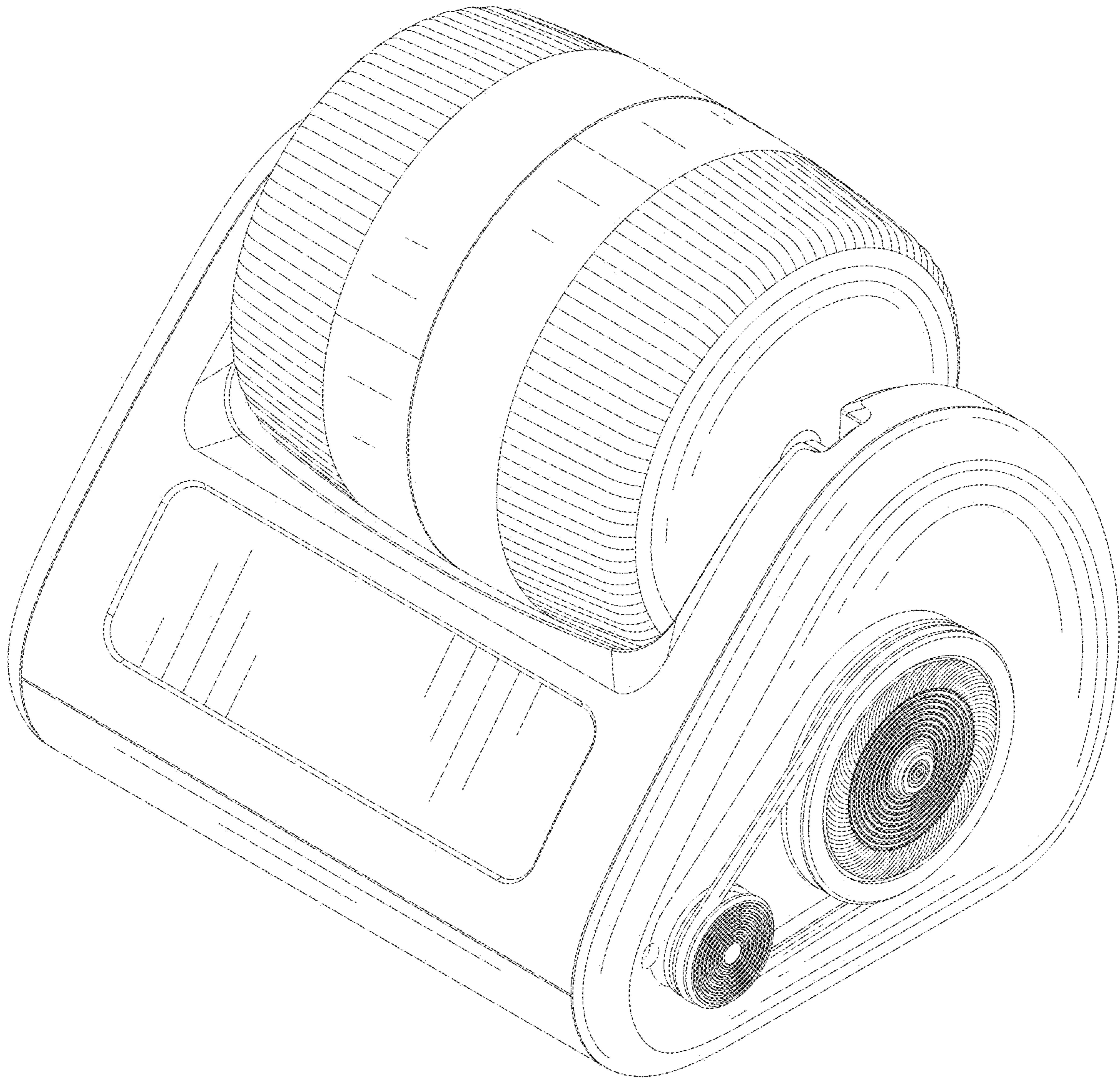


FIG. 1

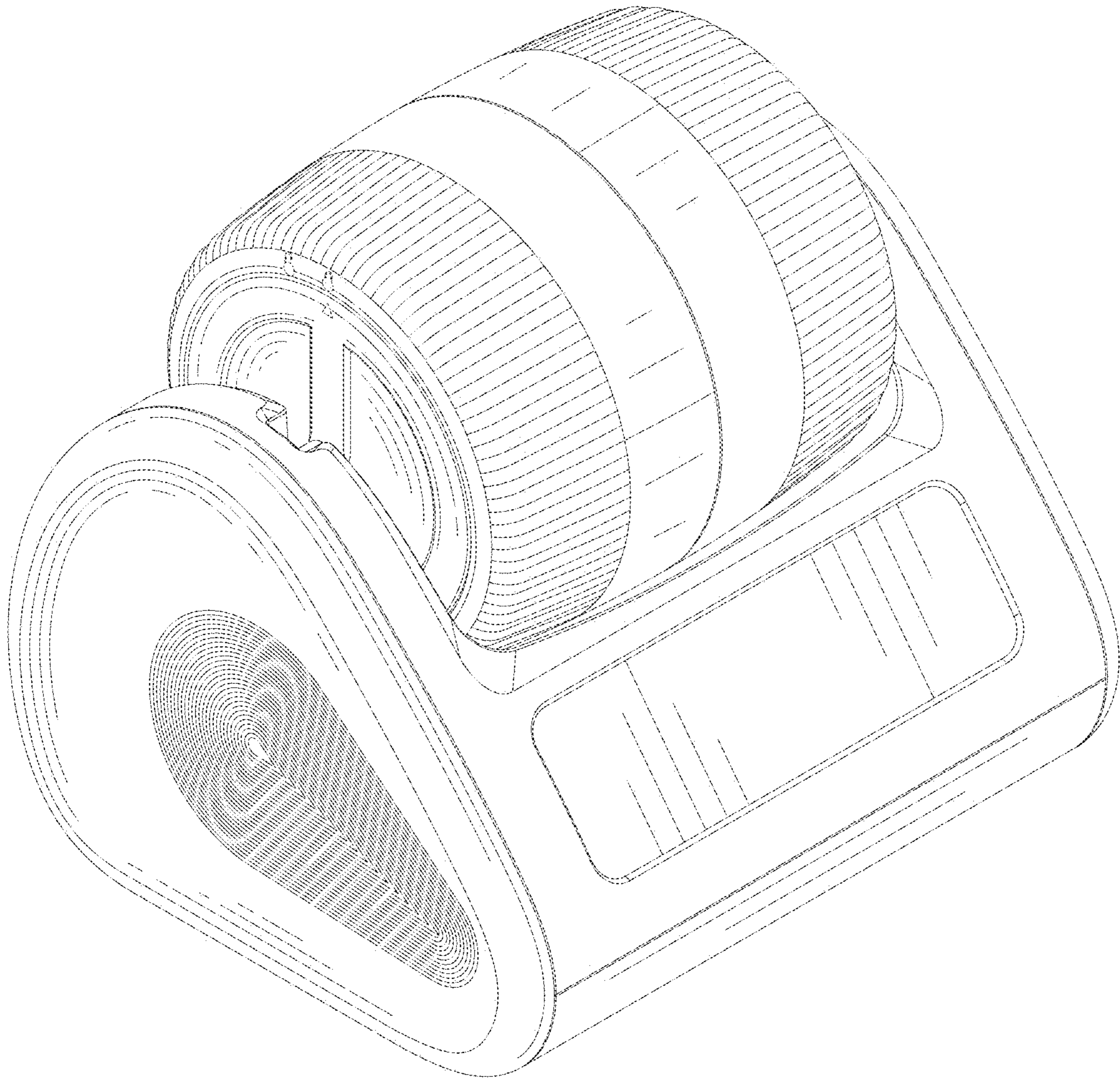


FIG. 2

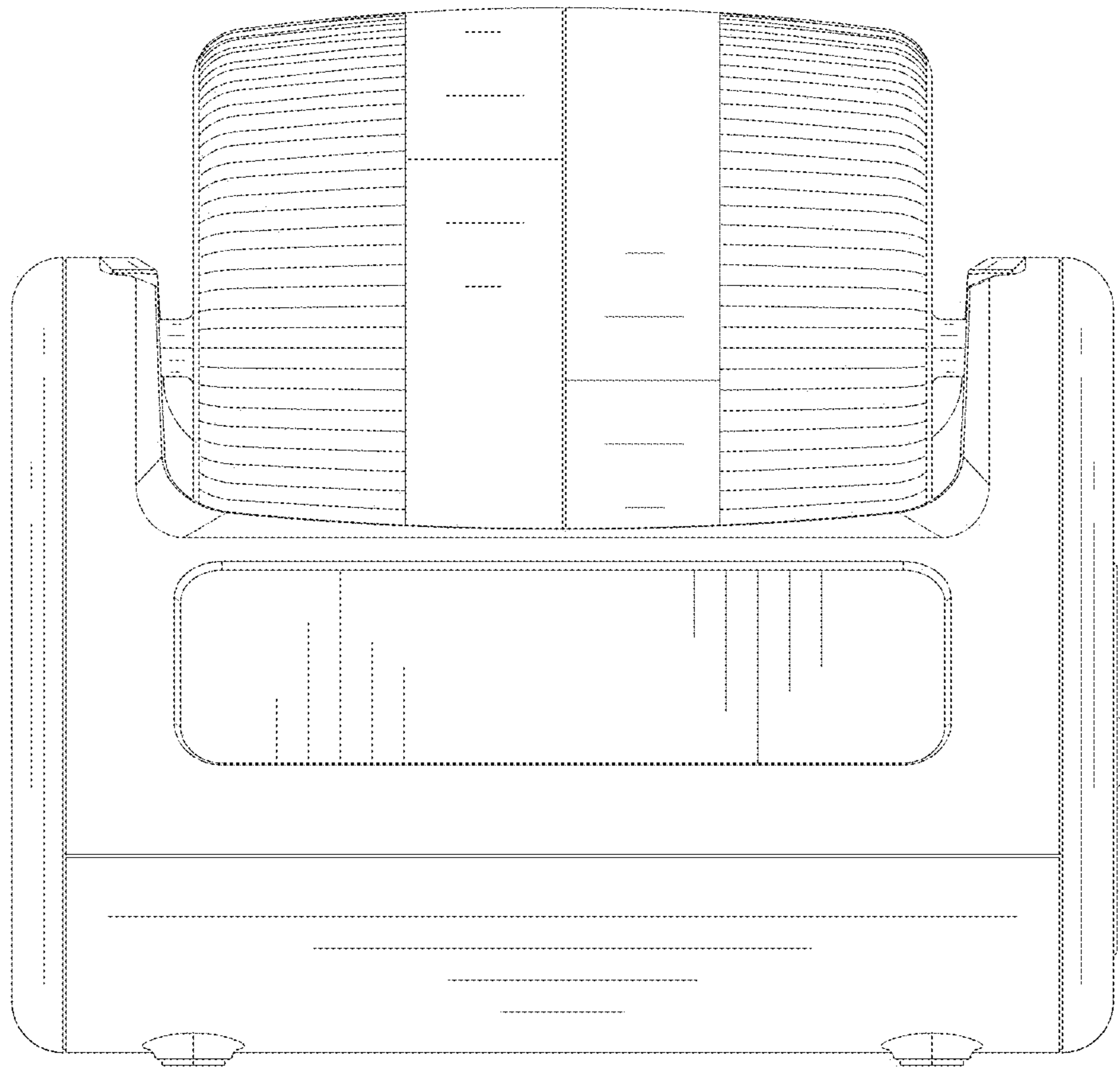


FIG. 3

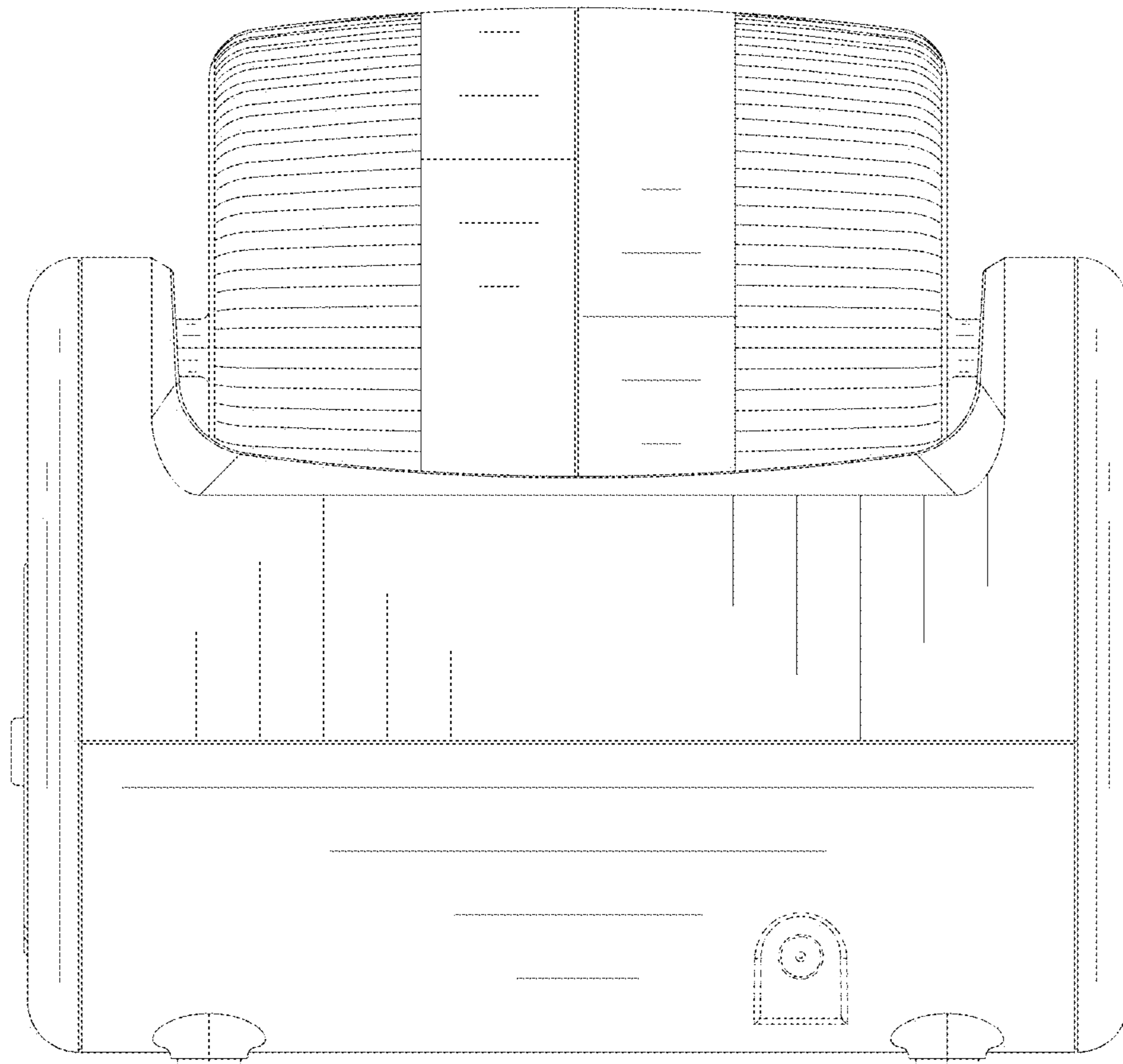


FIG. 4

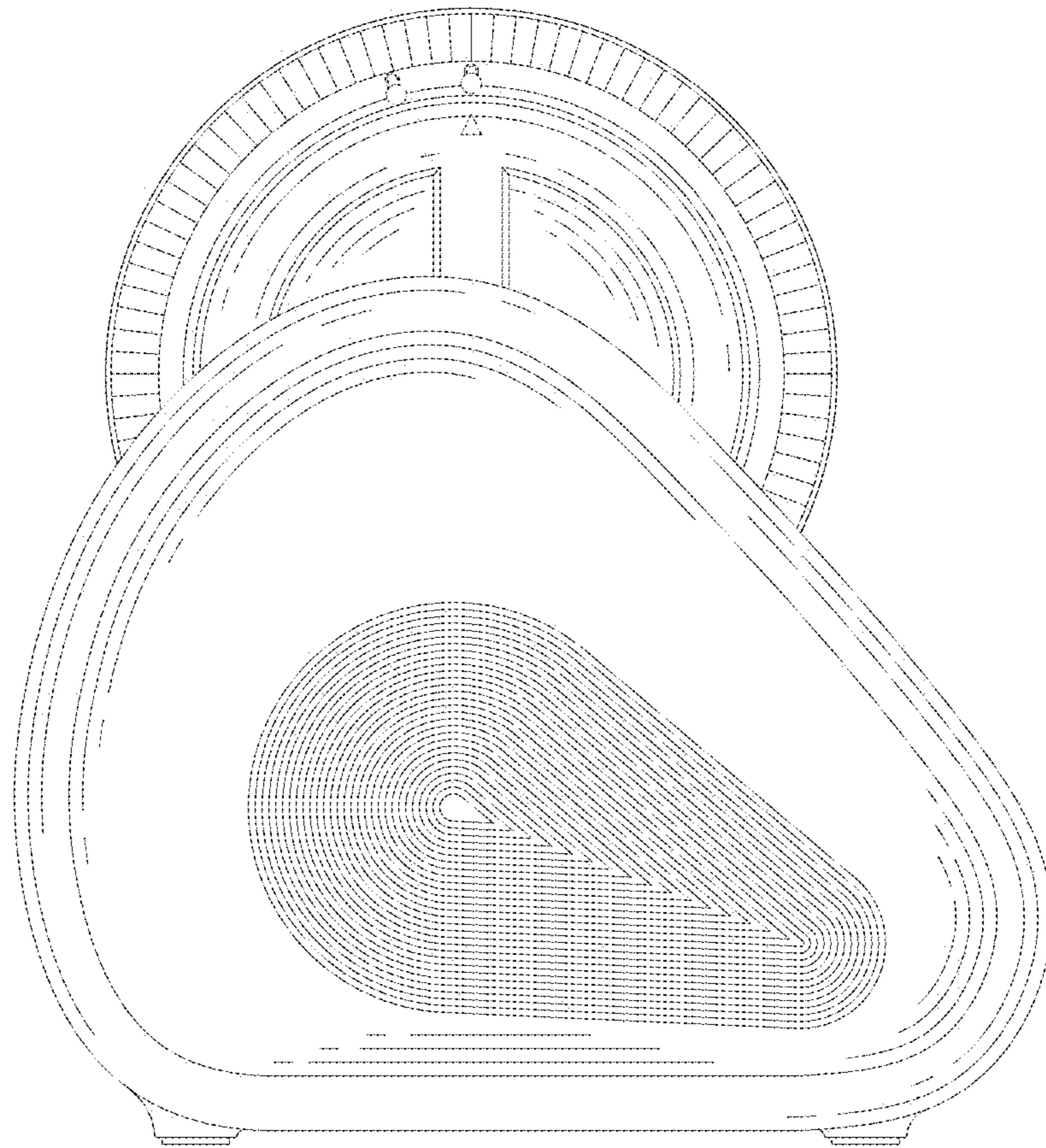


FIG. 5

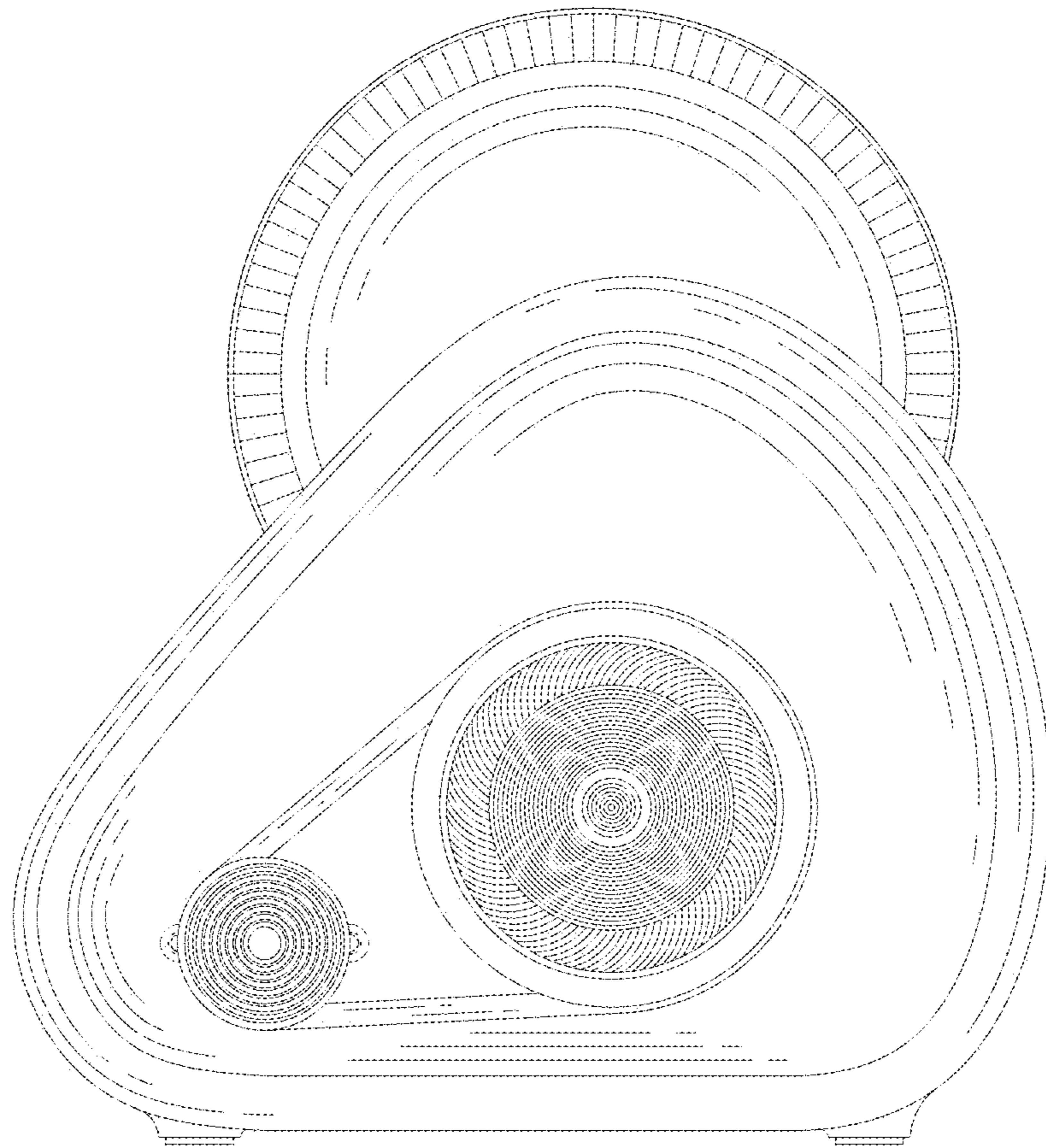


FIG. 6

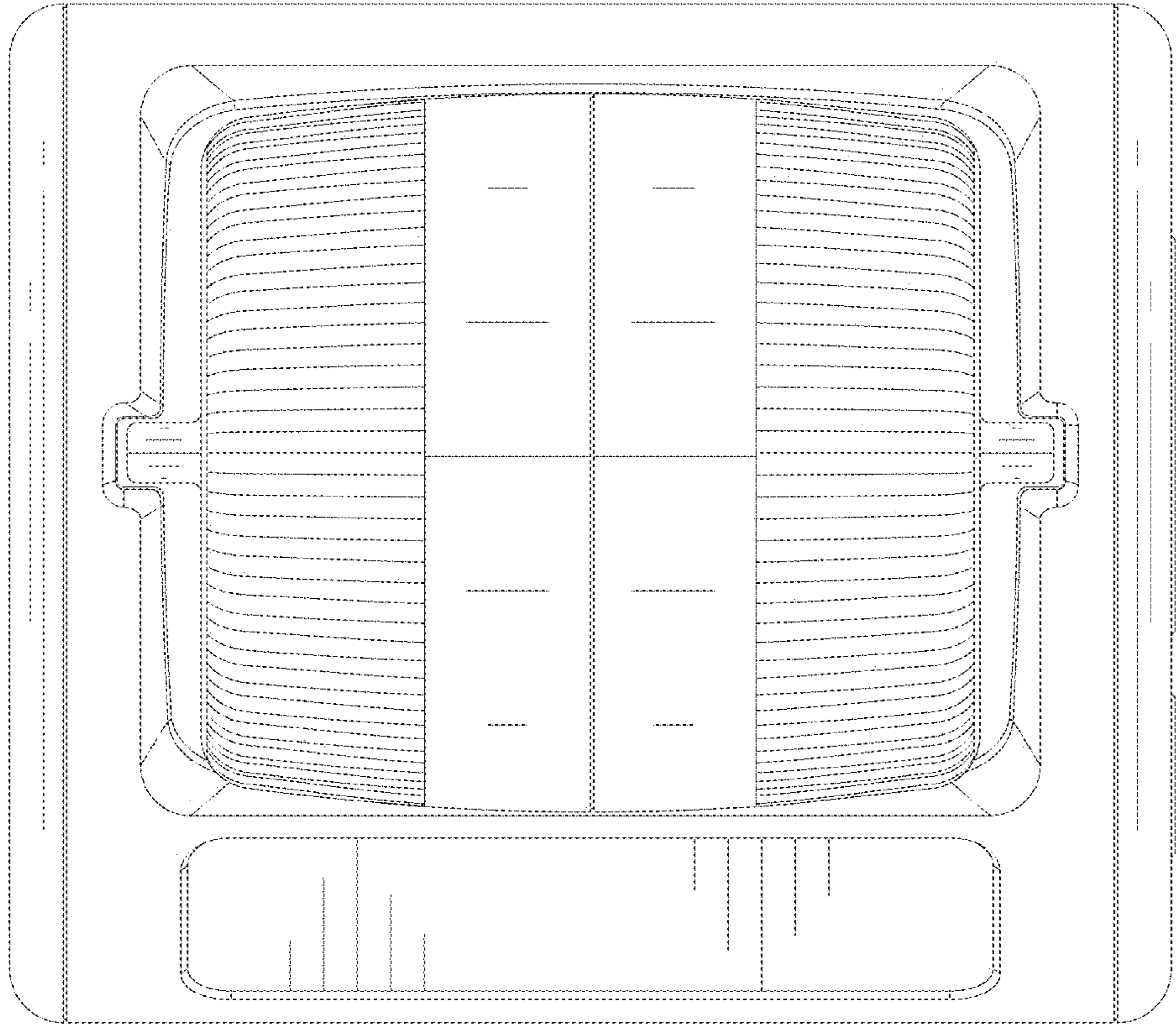


FIG. 7

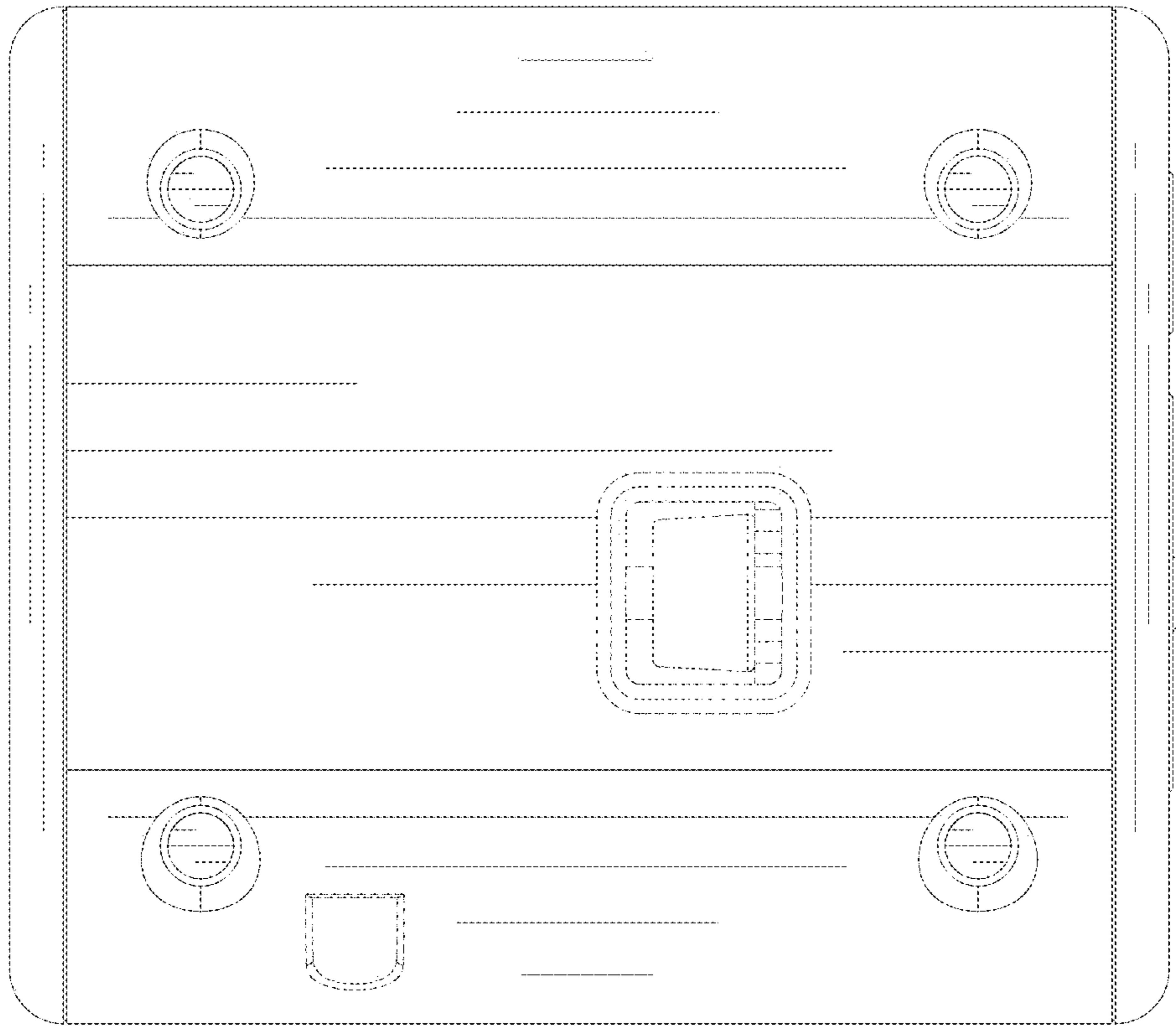


FIG. 8