

US00D973731S

(12) **United States Design Patent** (10) **Patent No.:** **US D973,731 S**
Cho et al. (45) **Date of Patent:** **** Dec. 27, 2022**

(54) **REFRIGERATOR**

(71) Applicant: **LG ELECTRONICS INC.**, Seoul (KR)

(72) Inventors: **Sangwoog Cho**, Seoul (KR); **Kyukwan Choi**, Seoul (KR); **Sanghun Kim**, Seoul (KR); **Wonsang Choi**, Seoul (KR); **Seungjin Yoon**, Seoul (KR); **Sungkyong Han**, Seoul (KR)

(73) Assignee: **LG ELECTRONICS INC.**, Seoul (KR)

(**) Term: **15 Years**

(21) Appl. No.: **29/774,486**

(22) Filed: **Mar. 17, 2021**

(30) **Foreign Application Priority Data**

Sep. 18, 2020 (KR) 30-2020-0045087

(51) **LOC (13) Cl.** **15-07**

(52) **U.S. Cl.**
USPC **15/91; 15/89; 15/81**

(58) **Field of Classification Search**
USPC D15/79-91
(Continued)

(56) **References Cited**

U.S. PATENT DOCUMENTS

D518,832 S * 4/2006 Park D15/81
D639,315 S * 6/2011 Yang D15/85
(Continued)

OTHER PUBLICATIONS

LG Electronics, LRFDS3016S 36 Inch Smart French Door Craft Ice Refrigerator, (site visited Dec. 16, 2021), AJ Madison website, URL:<<https://www.ajmadison.com/cgi-bin/ajmadison/LRFDS3016.html>> (Year: 2021).*

(Continued)

Primary Examiner — Calvin E Vansant
Assistant Examiner — Mark T. Philipps
(74) *Attorney, Agent, or Firm* — Birch, Stewart, Kolasch & Birch, LLP

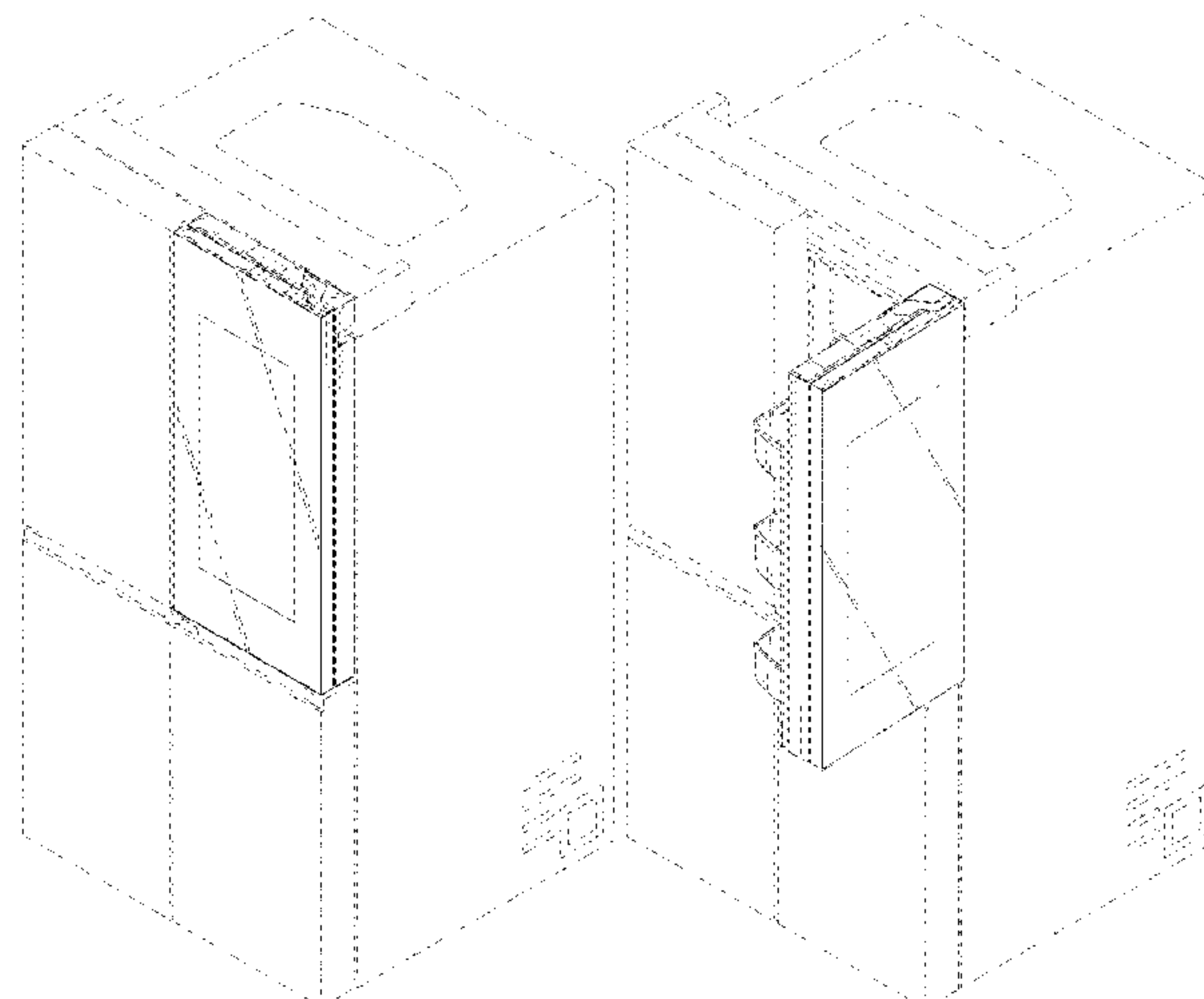
(57) **CLAIM**

The ornamental design for a refrigerator, as shown and described.

DESCRIPTION

FIG. 1 is a front perspective view of the refrigerator showing our new design;
FIG. 2 is a front view thereof;
FIG. 3 is a back view thereof;
FIG. 4 is a left side view thereof;
FIG. 5 is a right side view thereof;
FIG. 6 is a top plan view thereof;
FIG. 7 is a bottom plan view thereof;
FIG. 8 is a front perspective view in a condition that the first door of the upper right part of the front has been opened;
FIG. 9 is a front view of FIG. 8;
FIG. 10 is a back view of FIG. 8;
FIG. 11 is a left side view of FIG. 8;
FIG. 12 is a right side view of FIG. 8;
FIG. 13 is a top plan view of FIG. 8;
FIG. 14 is a bottom plan view of FIG. 8;
FIG. 15 is a front perspective view in a condition that the second door of the upper right part of the front has been opened;
FIG. 16 is a front view of FIG. 15;
FIG. 17 is a back view of FIG. 15;
FIG. 18 is a left side view of FIG. 15;
FIG. 19 is a right side view of FIG. 15;
FIG. 20 is a top plan view of FIG. 15; and,
FIG. 21 is a bottom plan view of FIG. 15.
The broken lines depict portions of the refrigerator that form no part of the claimed design.

1 Claim, 21 Drawing Sheets



(58) **Field of Classification Search**

CPC F25D 2323/021; F25D 2323/024; F25D 29/00; F25D 27/005; F25D 29/005; F25D 17/042; F25D 2325/021; F25D 11/00; F25D 11/02; F25D 11/025; F25D 23/00; F25D 23/02; F25D 23/04; F25D 23/12; F25D 23/028; F25D 25/02; F25D 25/021; F25D 25/022; F25D 25/024; F25D 25/025; A47F 3/04; A47F 3/0404

See application file for complete search history.

D798,915	S	*	10/2017	Vicari	D15/86
D807,410	S	*	1/2018	Cho	D15/86
D814,533	S	*	4/2018	Kim	D15/85
D832,312	S	*	10/2018	Kim	D15/86
10,342,363	B2	*	7/2019	Park	F21V 23/002
D869,518	S	*	12/2019	Lee	D15/85
D895,695	S	*	9/2020	Choi	D15/85
2015/0069900	A1	*	3/2015	Lim	F25D 23/025 312/405
2015/0225225	A1	*	8/2015	Tae	B67D 1/0858 222/146.2

(56)

References Cited

U.S. PATENT DOCUMENTS

D639,317	S	*	6/2011	Yang	D15/86
D640,294	S	*	6/2011	Kwon	D15/85
D655,321	S	*	3/2012	Lee	D15/86
D657,805	S	*	4/2012	Cho	D15/86
D671,572	S	*	11/2012	Seo	D15/86
D685,010	S	*	6/2013	Seo	D15/86
D709,105	S	*	7/2014	Saejin	D15/85
D710,402	S	*	8/2014	Jeon	D15/86
D715,335	S	*	10/2014	Kim	D15/85
D729,285	S	*	5/2015	Seo	D15/85
D773,539	S	*	12/2016	Kim	D15/86
D780,815	S	*	3/2017	Seo	D15/91
D786,317	S	*	5/2017	Kim	D15/85

OTHER PUBLICATIONS

Samsung, RF23A9671SR 36 Inch Counter Depth 4-Door Flex™ Smart Refrigerator, (site visited Dec. 16, 2021), AJ Madison website, URL:<<https://www.ajmadison.com/cgi-bin/ajmadison/RF23A9671.html>> (Year: 2021).*

Cafe, CQE28DM5NS5 36 Inch 4-Door French Door Smart Refrigerator, (site visited Dec. 16, 2021), AJ Madison website, URL:<<https://www.ajmadison.com/cgi-bin/ajmadison/CQE28DM5NS5.html>> (Year: 2021).*

Dacor, DRF36C700SR 36 Inch Smart French Door Refrigerator, (site visited Dec. 16, 2021), AJ Madison website, URL:<<https://www.ajmadison.com/cgi-bin/ajmadison/DRF36C700X.html>> (Year: 2021).*

* cited by examiner

FIG. 1

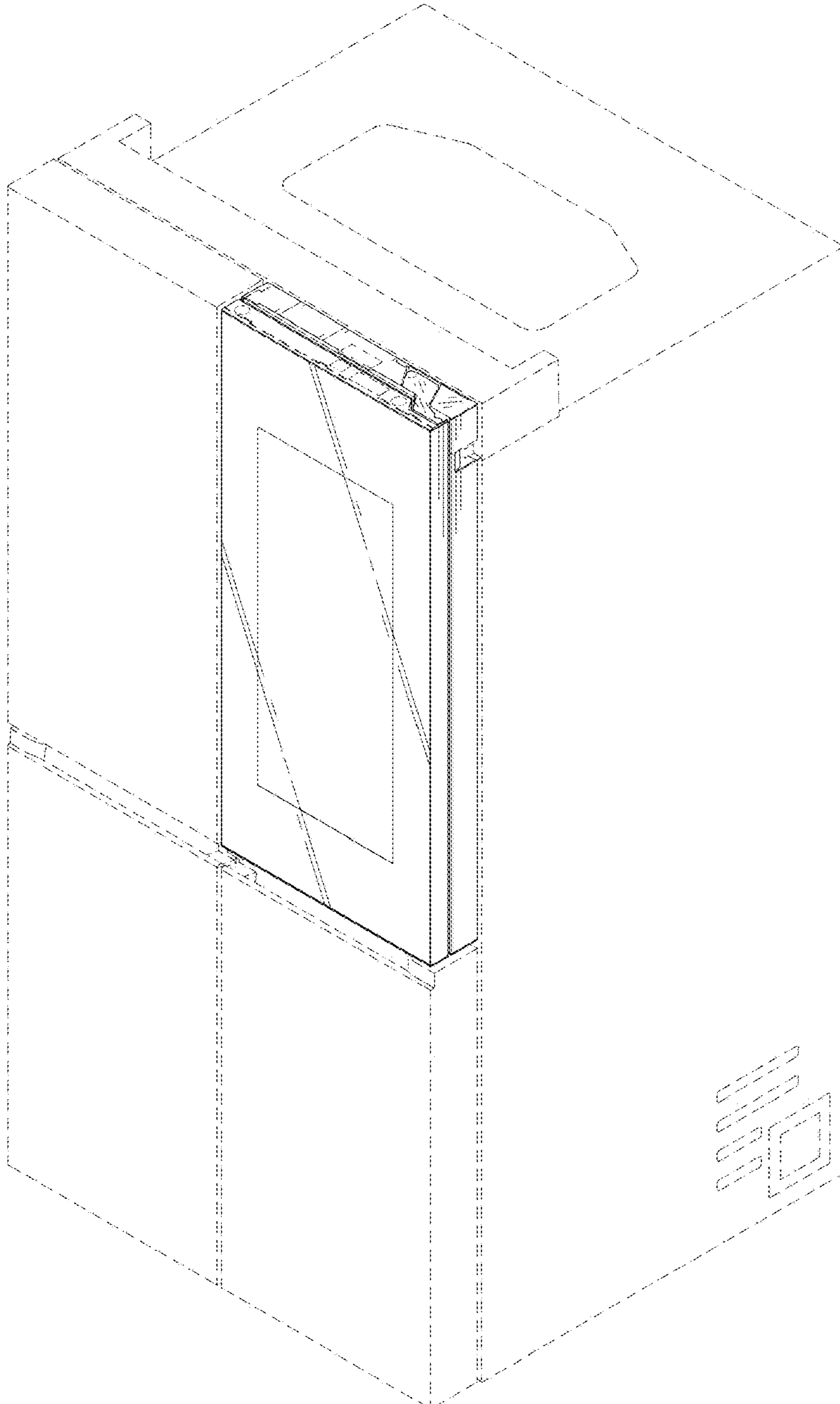


FIG. 2

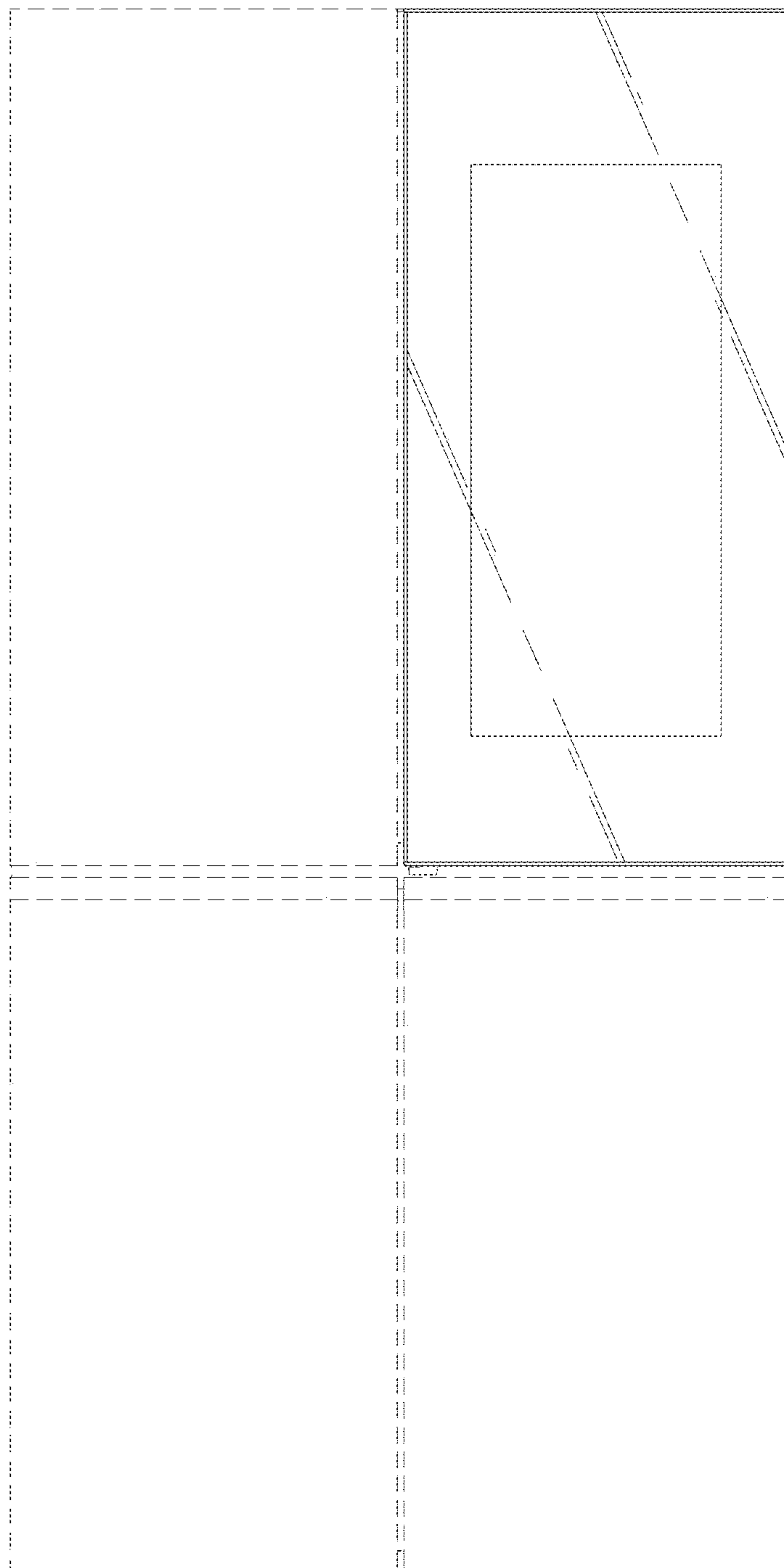


FIG. 3



FIG. 4

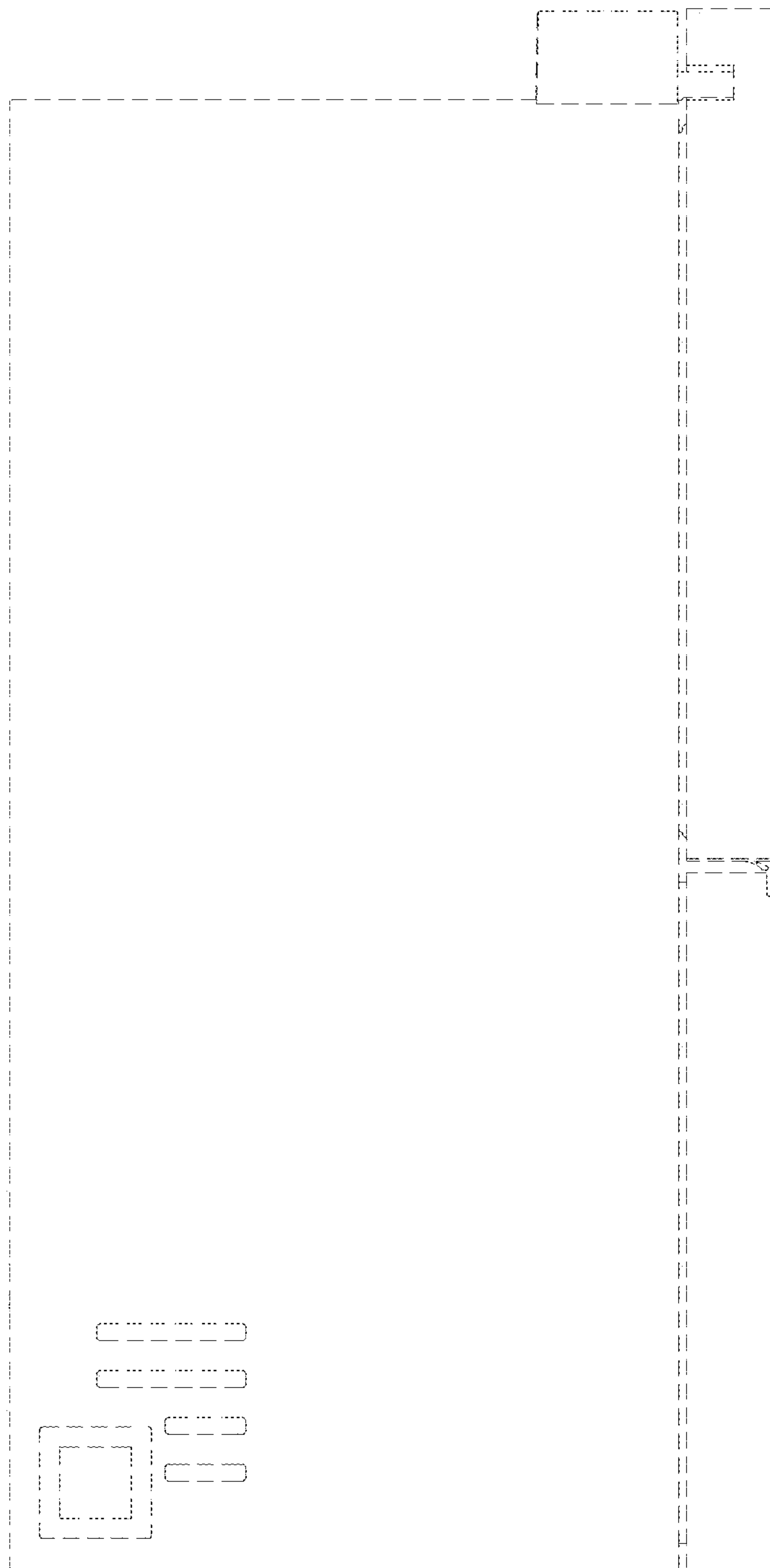


FIG. 5

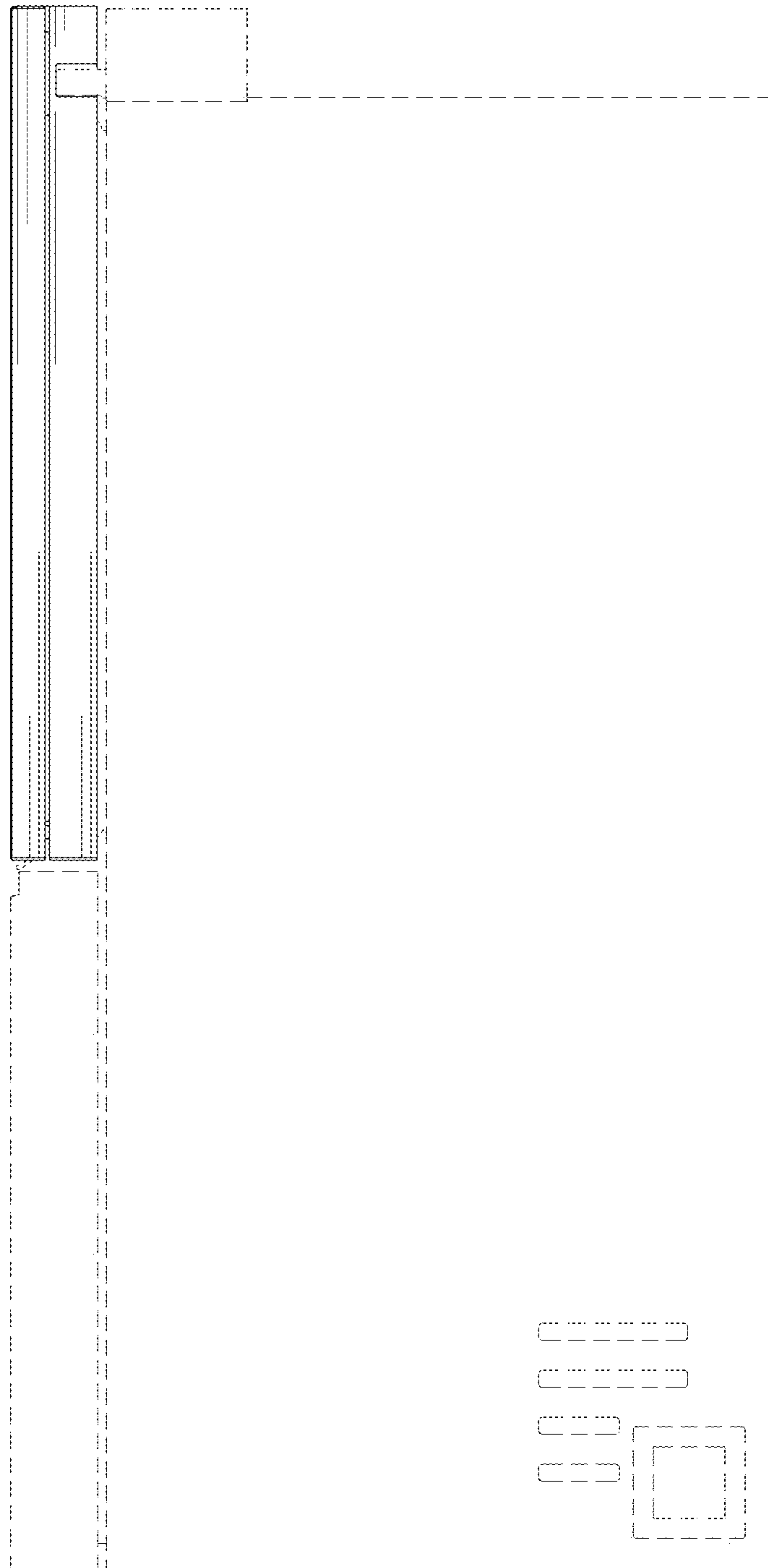


FIG. 6

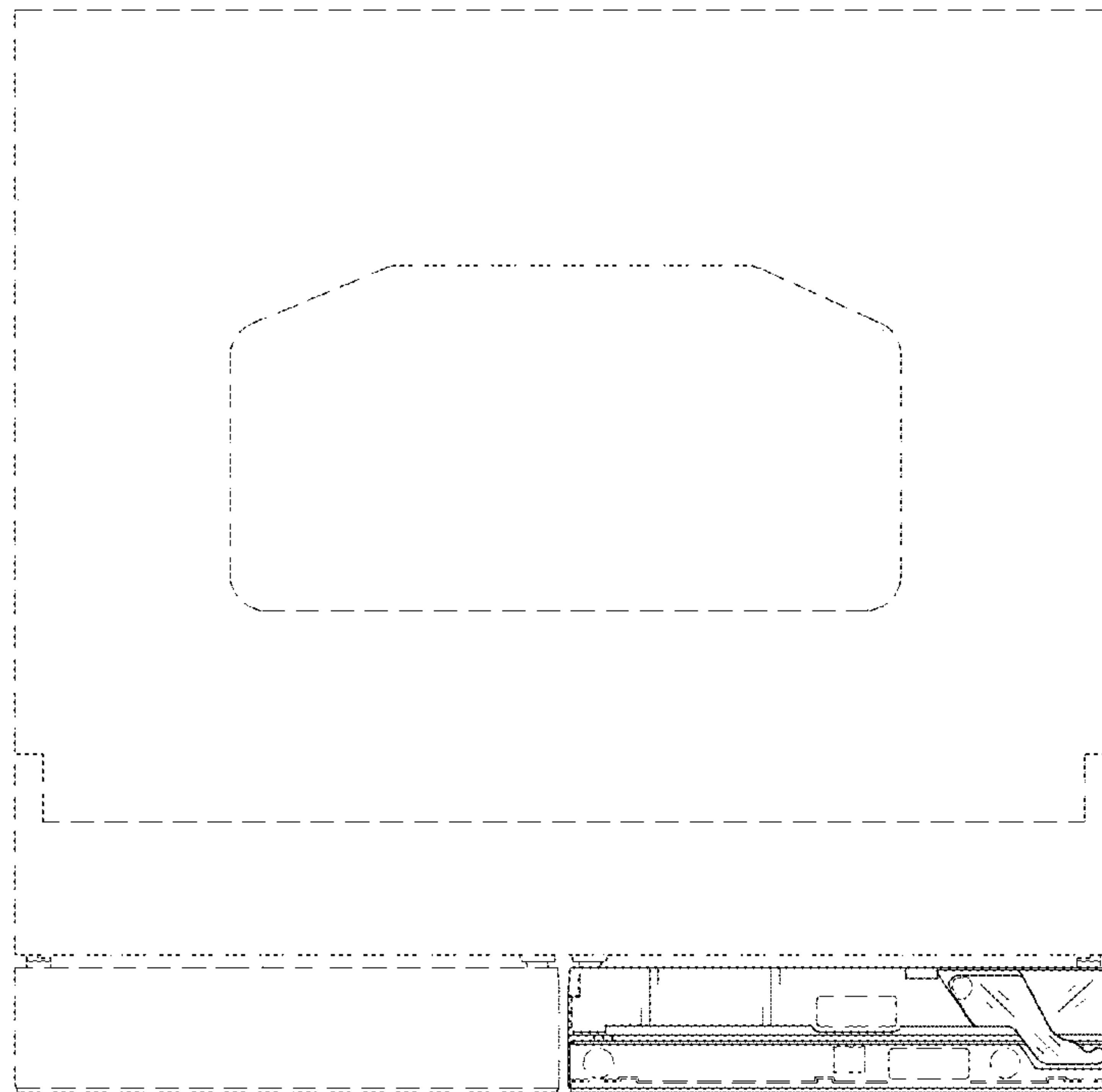


FIG. 7



FIG. 8

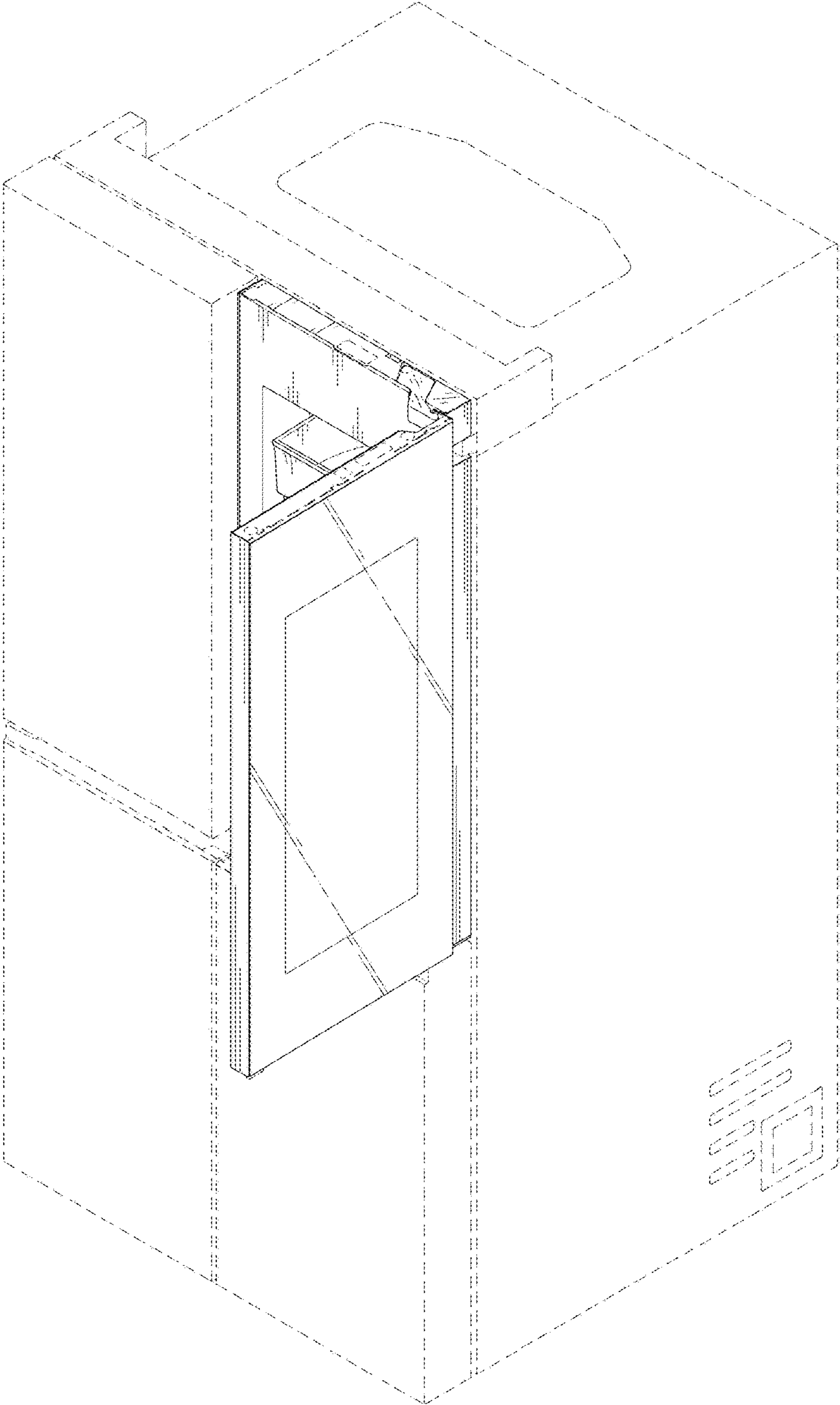


FIG. 9

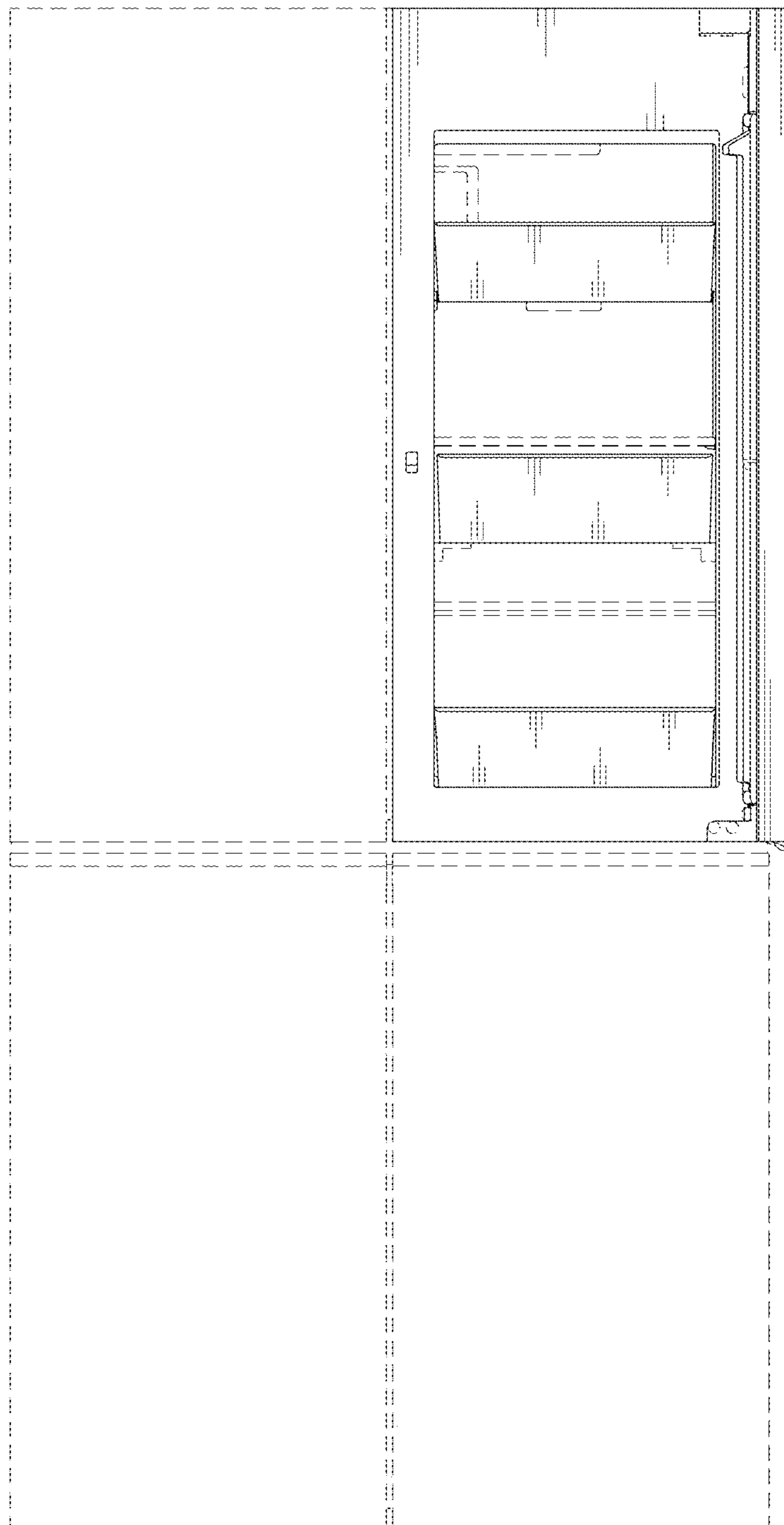


FIG. 10

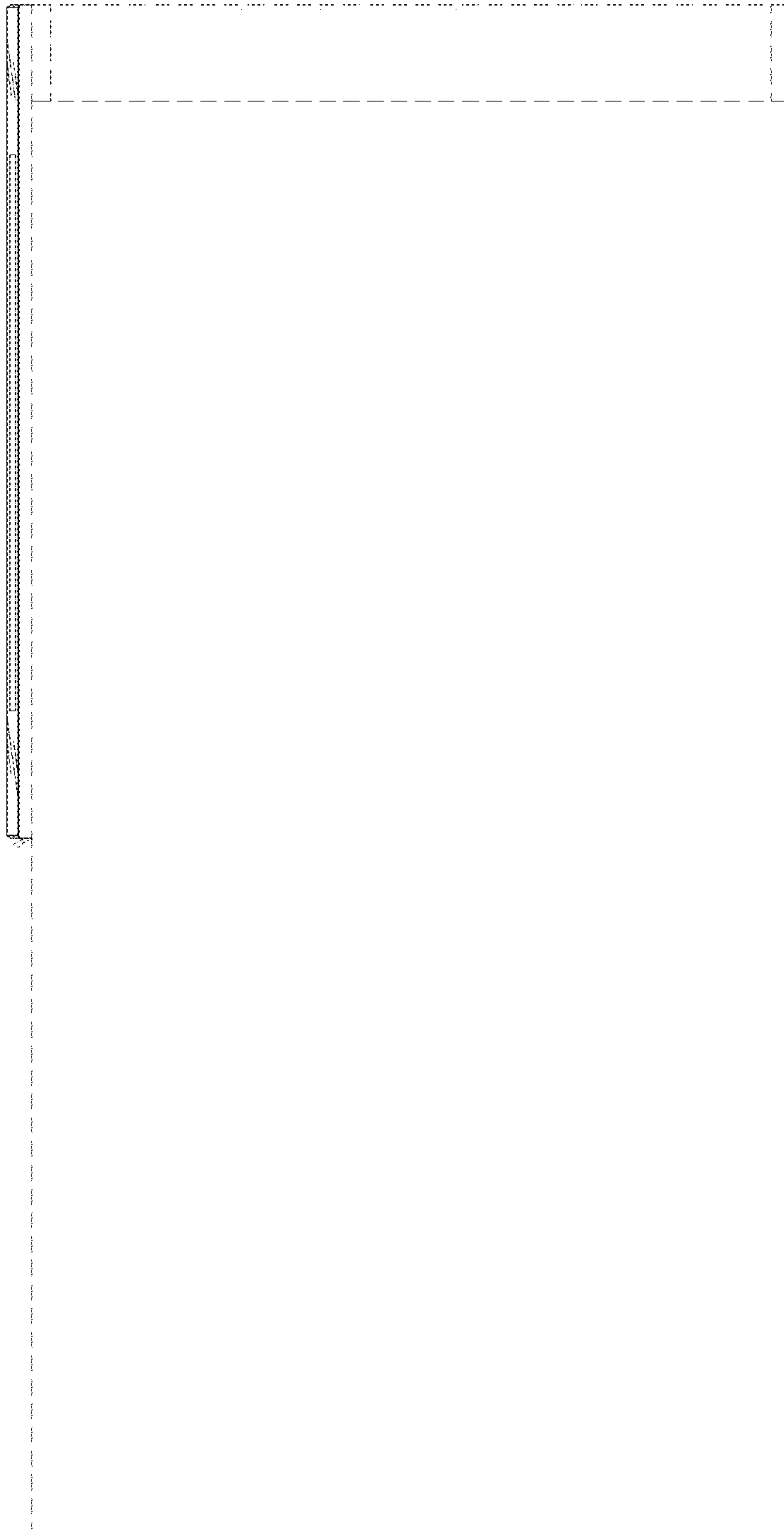


FIG. 11

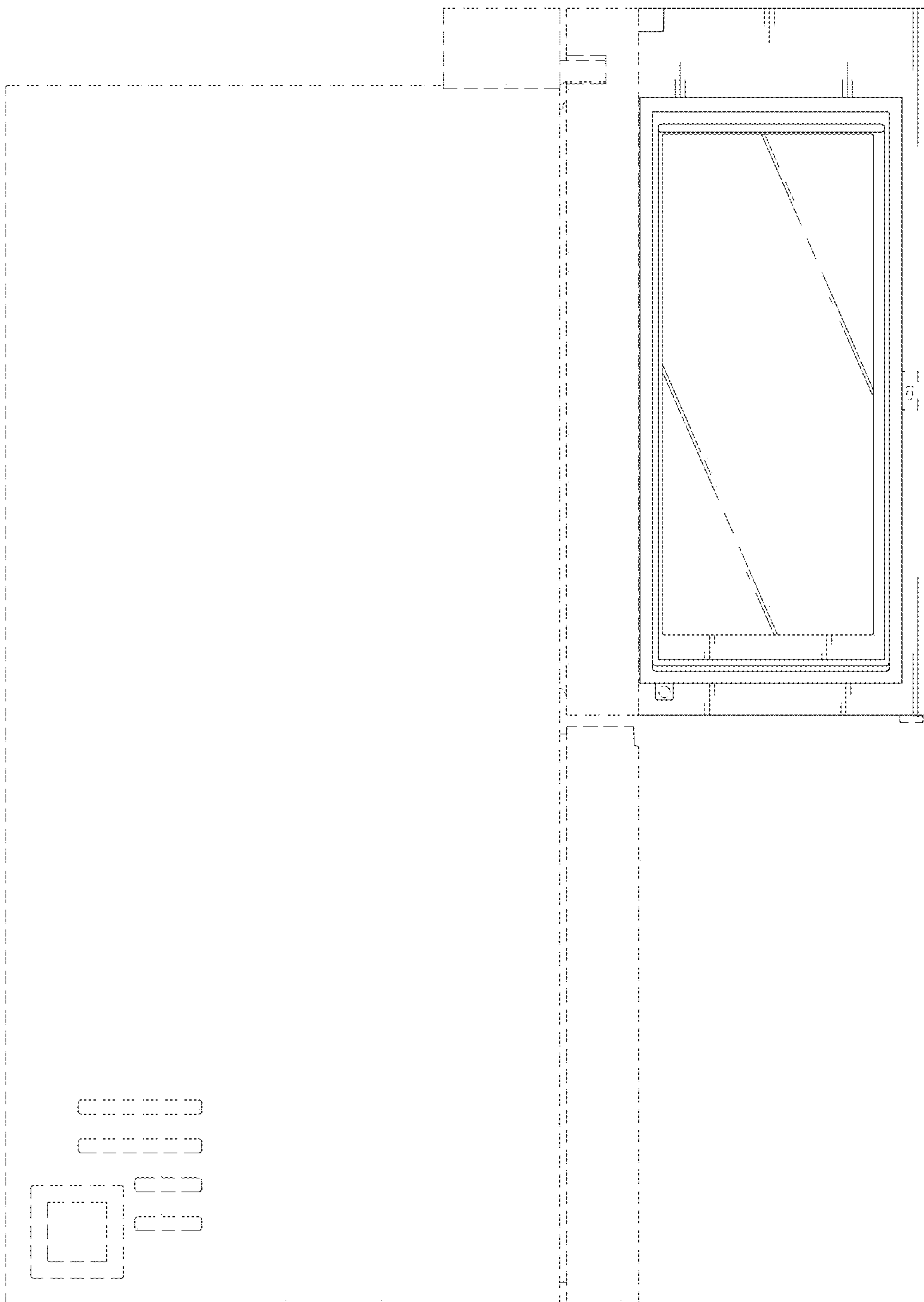


FIG. 12

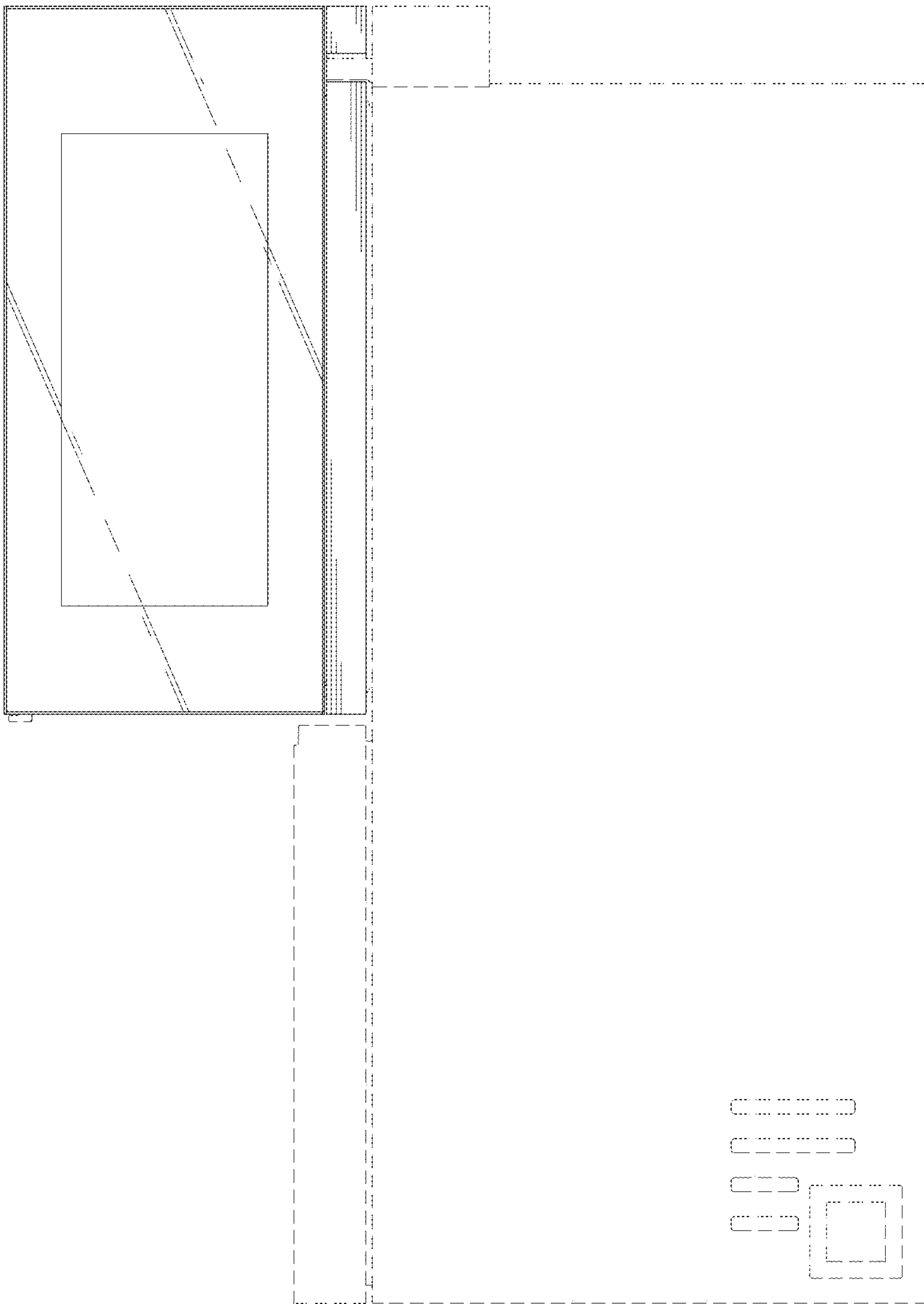


FIG. 13

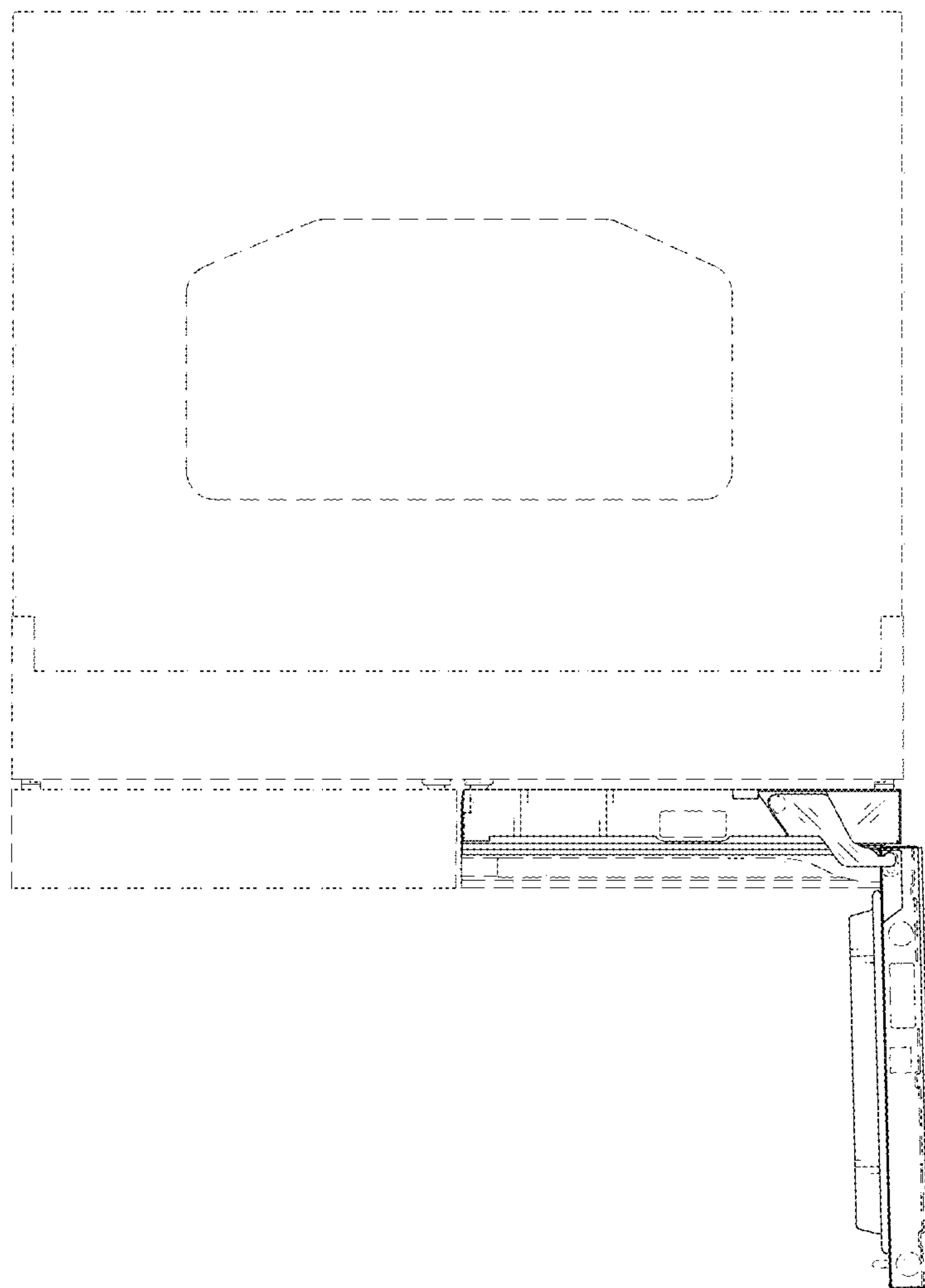


FIG. 14

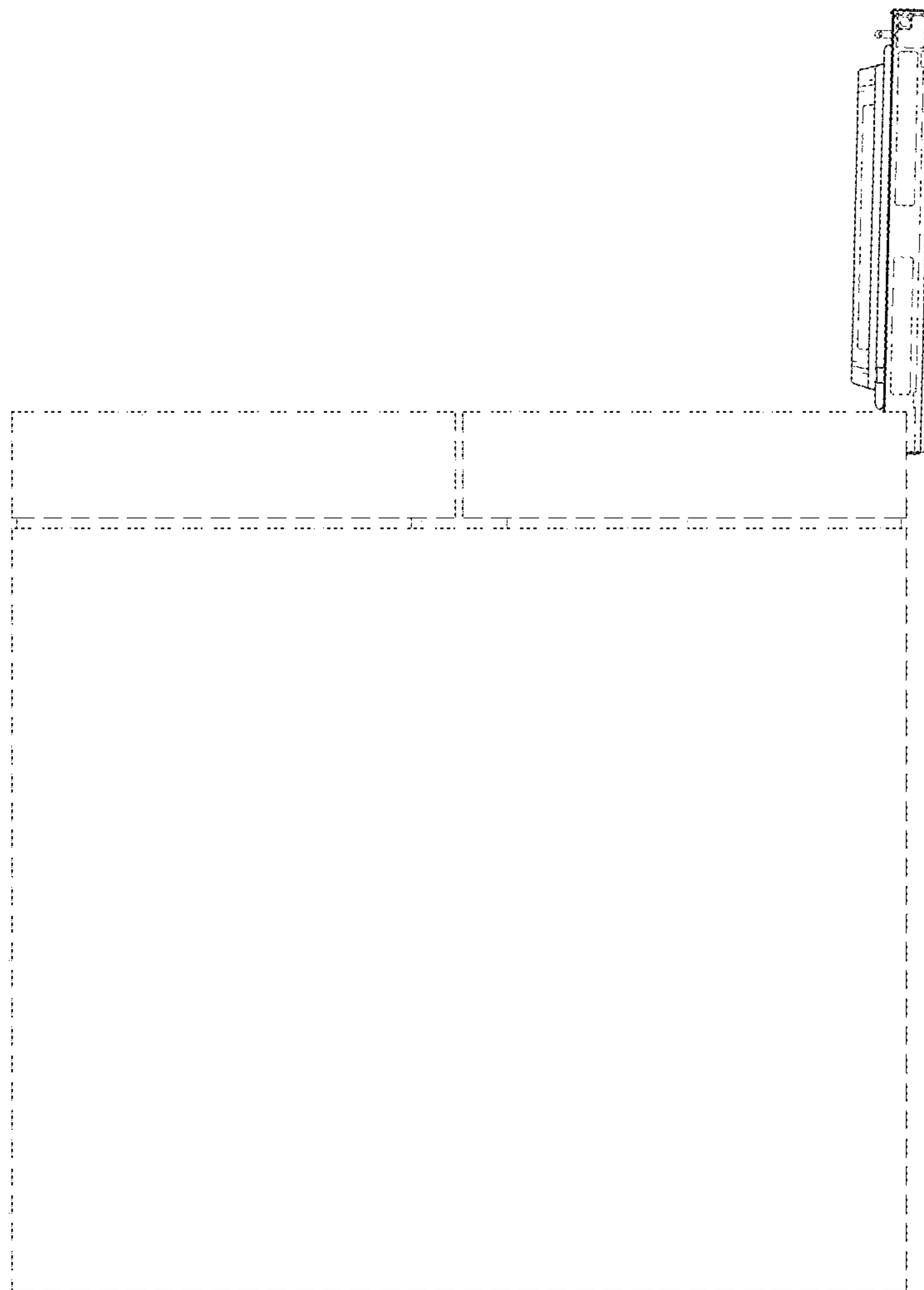


FIG. 15

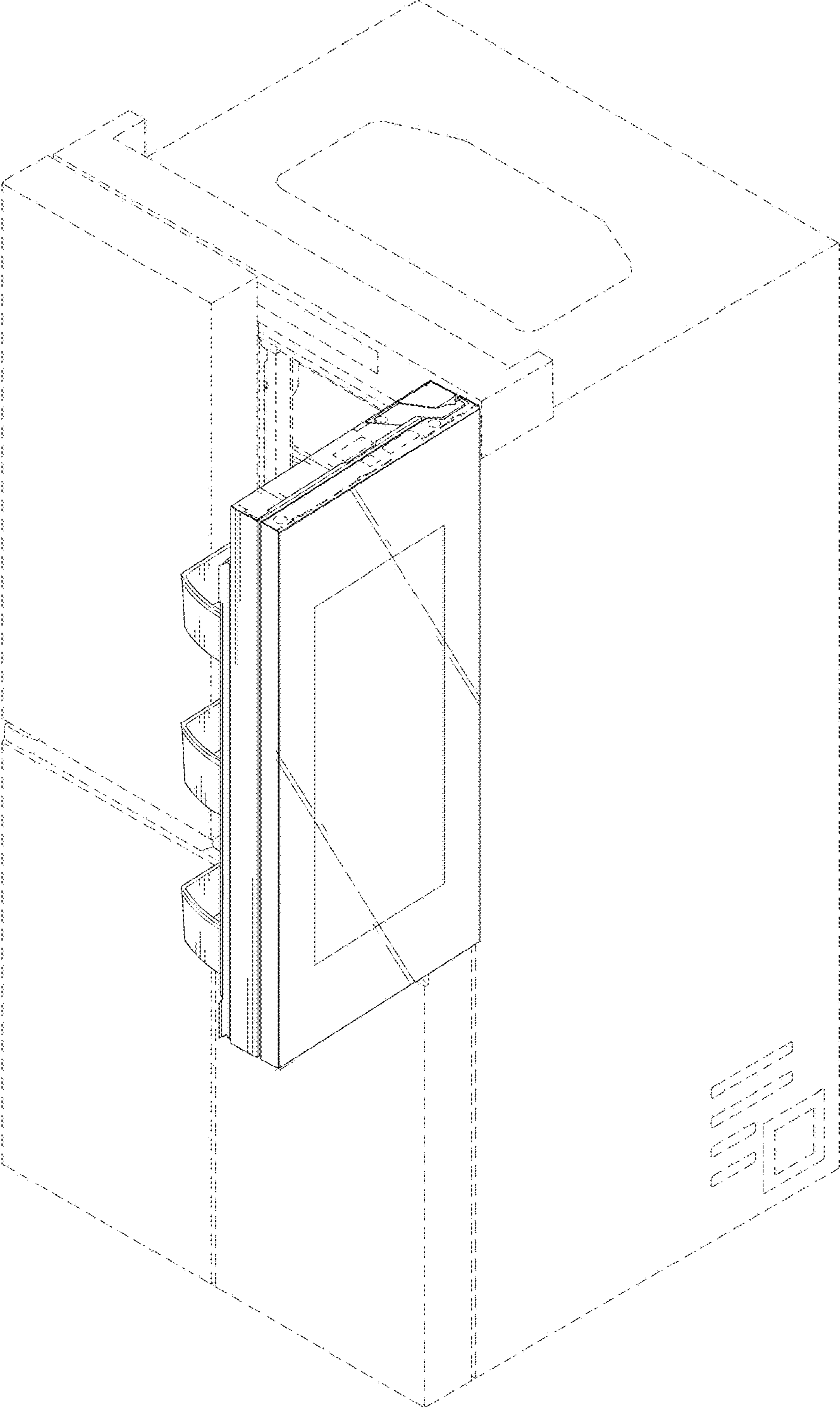


FIG. 16

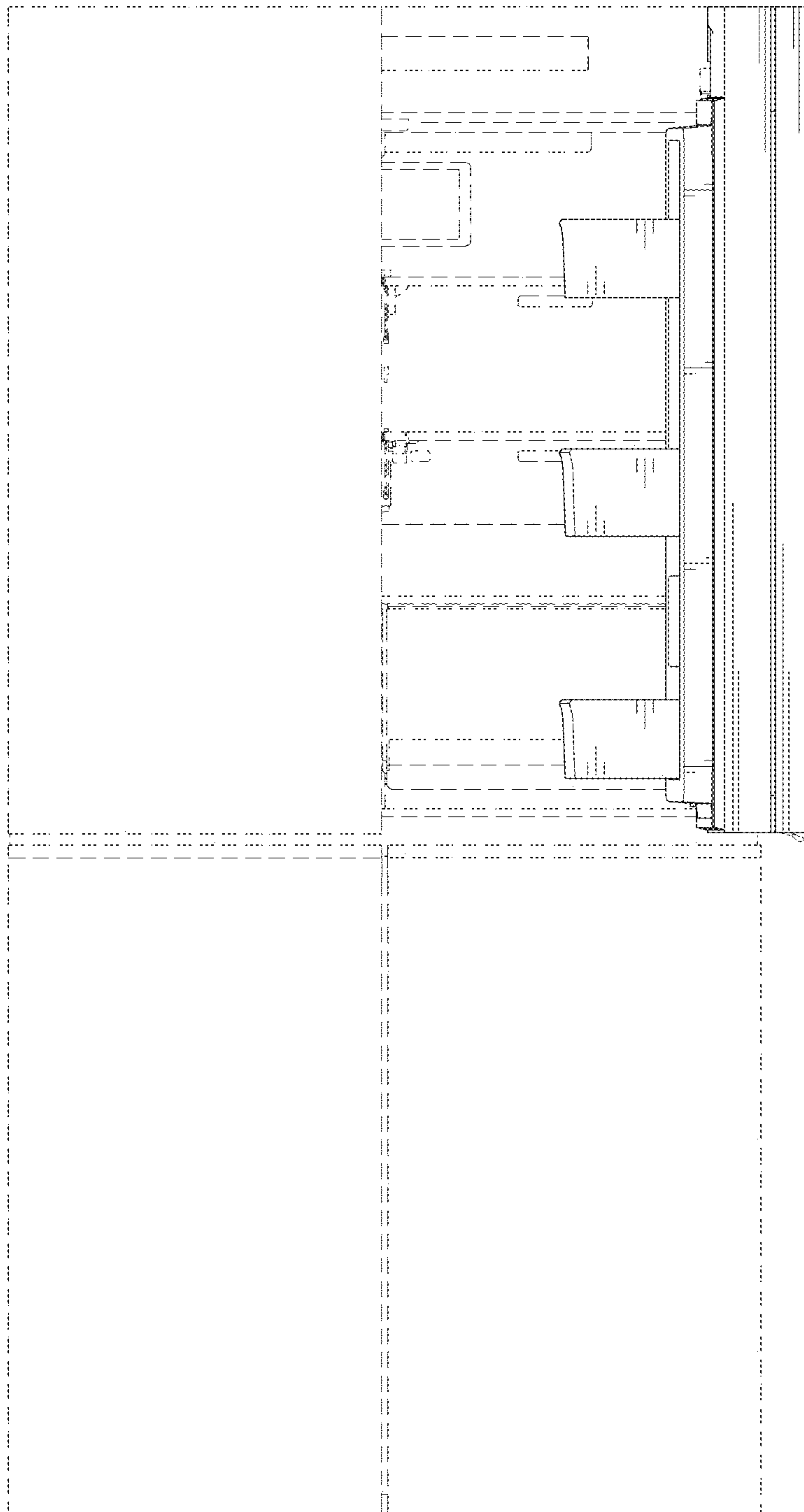


FIG. 17

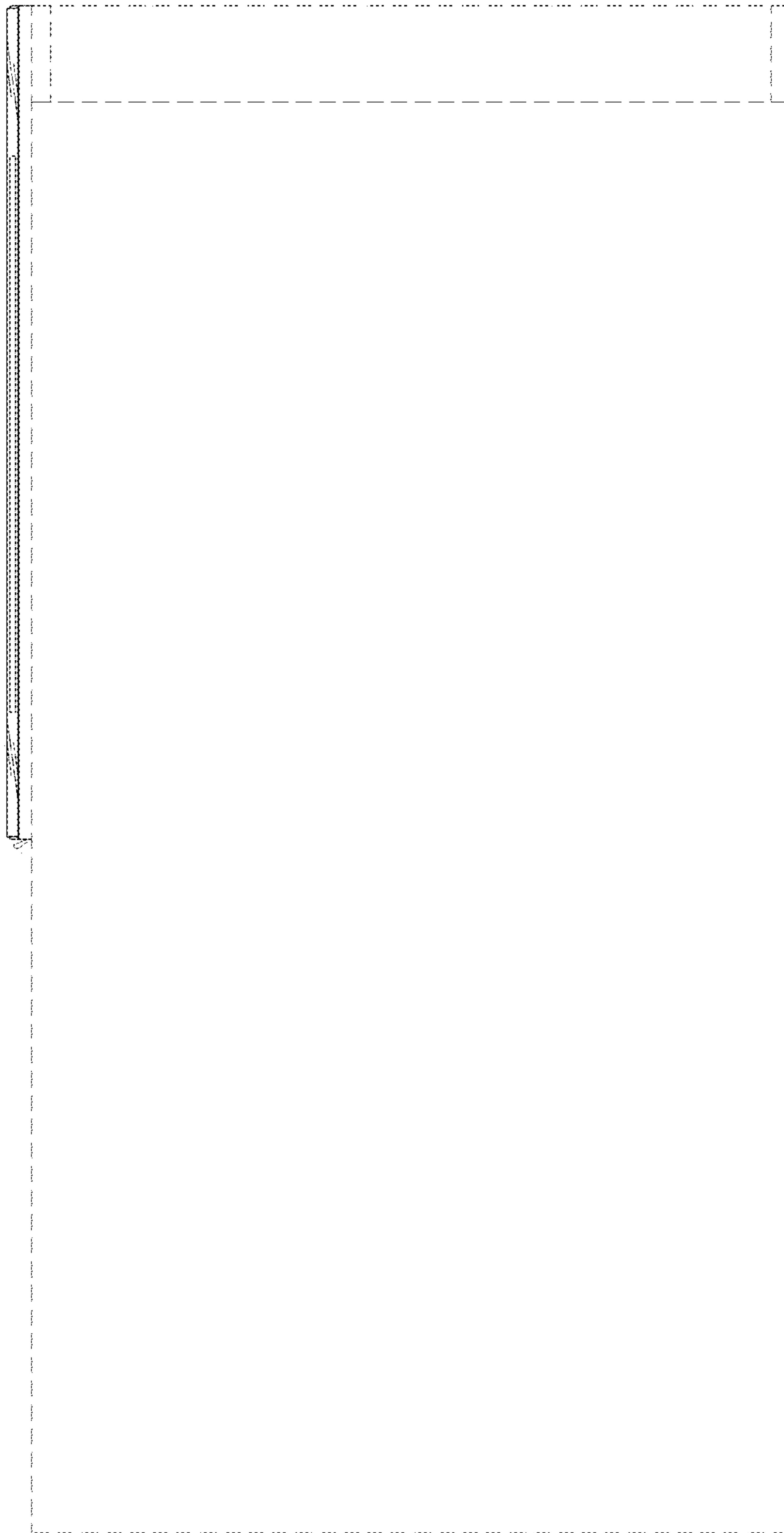


FIG. 18

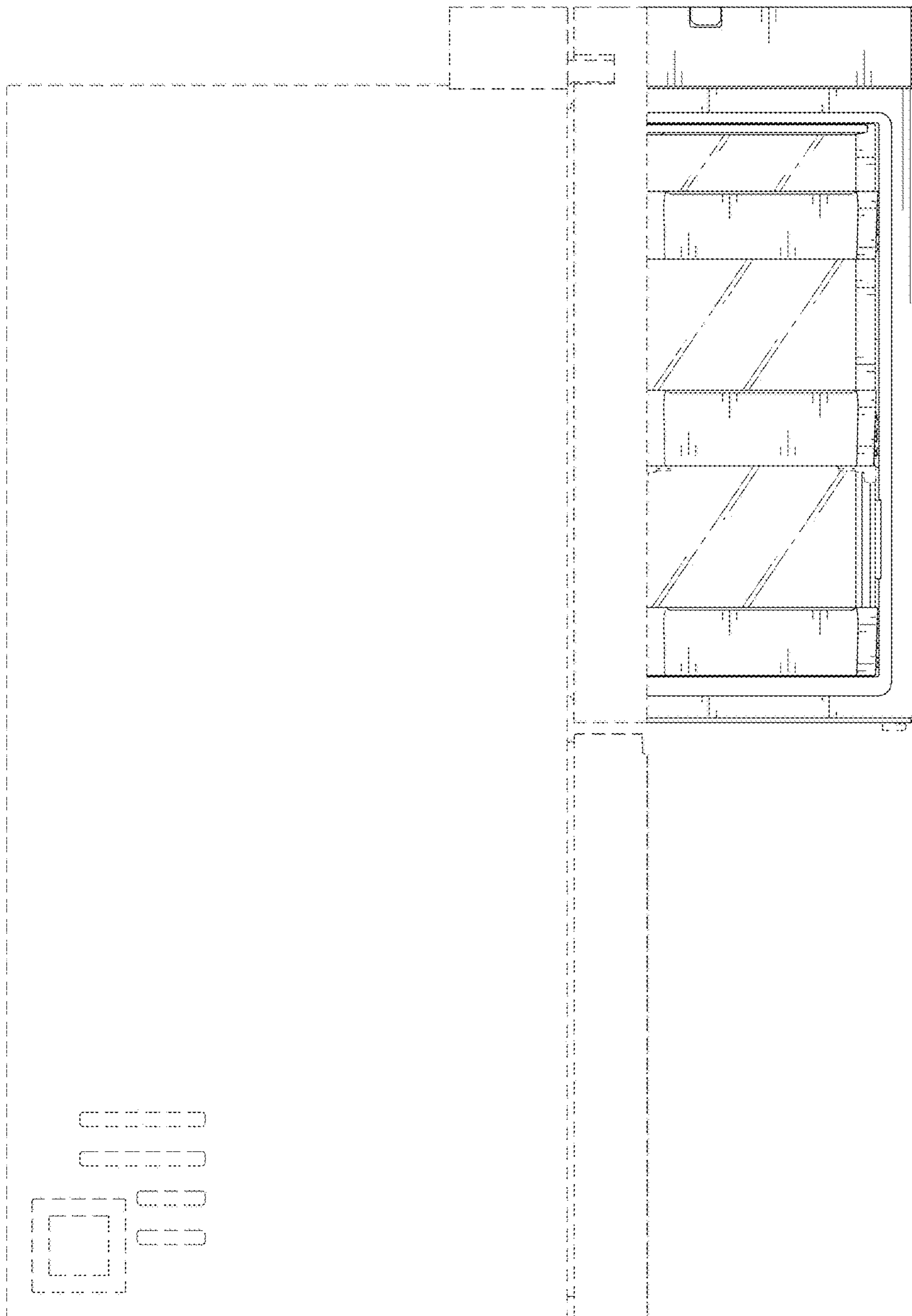


FIG. 19

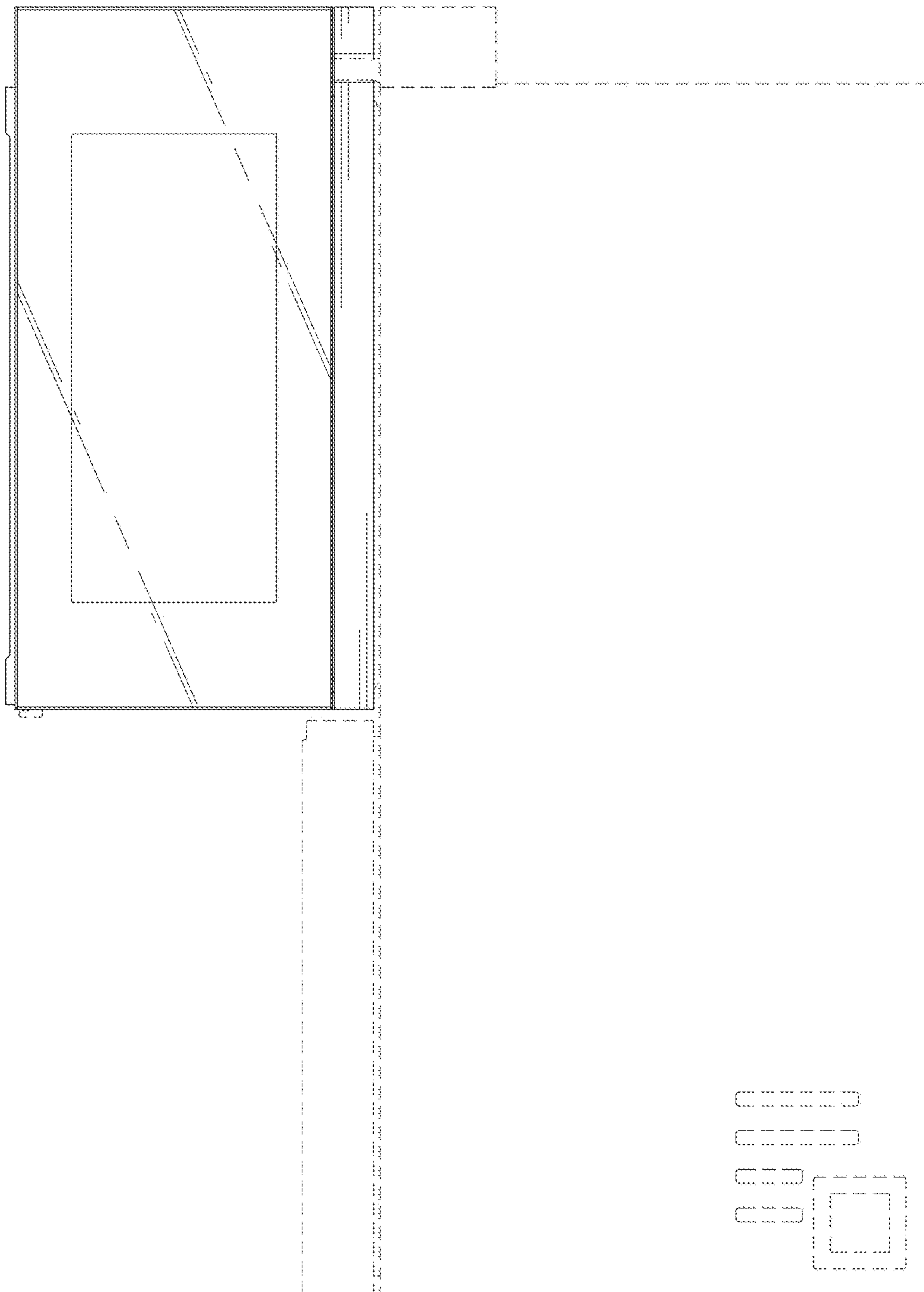


FIG. 20

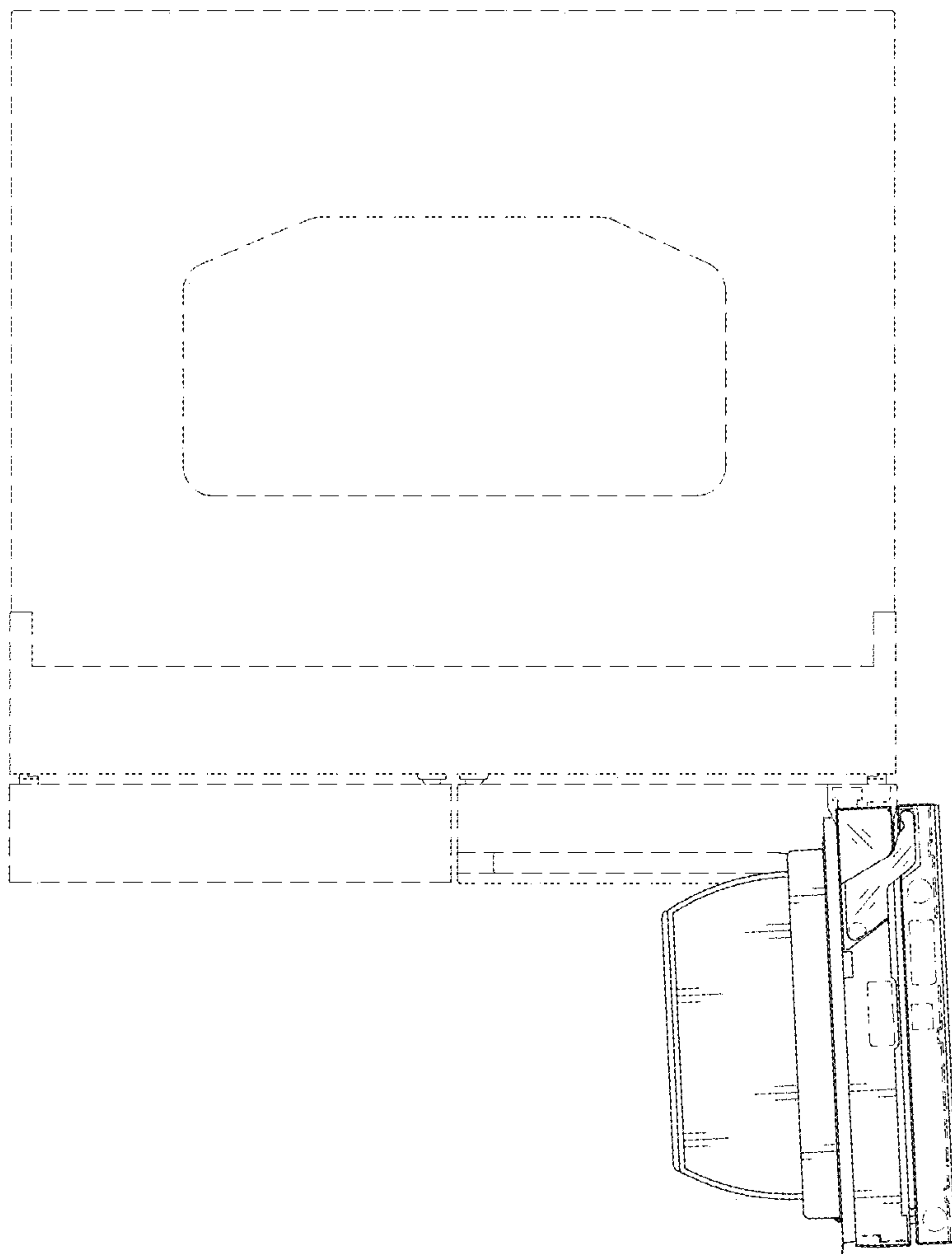


FIG. 21

